

OPERATOR'S MANUAL

Zero-Turn Tractor Lapbar Drive Control Levers

Record Product Information

Before setting up and operating your new equipment, please locate the model plate on the equipment and record the information in the provided area to the right. You can locate the model plate by lifting up the seat and looking under the seat pan. This information will be necessary, should you seek technical support via our web site or with your local authorized service dealer.

MODEL NUMBER

--	--	--	--	--	--	--	--	--	--	--	--

SERIAL NUMBER

--	--	--	--	--	--	--	--	--	--	--	--

Table of Contents

<i>Important Safe Operation Practices</i>	2	<i>Service and Maintenance</i>	16
<i>Assembly</i>	7	<i>Troubleshooting</i>	24
<i>Operation</i>	10	<i>Parts/Warranty</i>	See Separate Supplement

⚠ WARNING

Read and follow all safety rules and instructions in this manual before attempting to operate this machine. Failure to comply with these instructions may result in personal injury.

⚠ WARNING

California Proposition 65

Engine Exhaust, some of its constituents, and certain vehicle components contain or emit chemicals known to State of California to cause cancer and birth defects or other reproductive harm.

Battery posts, terminals, and related accessories contain lead and lead compounds, chemicals known to the State of California to cause cancer and reproductive harm. Wash hands after handling.

NOTE: This Operator's Manual covers several models. Features may vary by model. Not all features in this manual are applicable to all models and the model depicted may differ from yours.



SAFE OPERATIONS PRACTICES

⚠ WARNING

⚠ This symbol points out important safety instructions which, if not followed, could endanger the personal safety and/or property of yourself and others. Read and follow all instructions in this manual before attempting to operate this machine. Failure to comply with these instructions may result in personal injury. When you see this symbol. **HEED ITS WARNING!**

⚠ DANGER

This machine was built to be operated according to the safe operation practices in this manual. As with any type of power equipment, carelessness or error on the part of the operator can result in serious injury. This machine is capable of amputating hands and feet and throwing objects. Failure to observe the following safety instructions could result in serious injury or death.

General Information

1. Read, understand, and follow all instructions on the tractor and in the manual(s) before attempting to assemble and operate. Keep this manual in a safe place for future and regular reference and for ordering replacement parts.
2. Be familiar with all controls and their proper operation. Know how to stop the tractor and disengage them quickly.
3. Never allow children under 14 years of age to operate this tractor. Children 14 and over should read and understand the instructions and safe operation practices in this manual and on the tractor and should be trained and supervised by an adult.
4. Never allow adults to operate this tractor without proper instruction.
5. If situations occur which are not covered in this manual, use care and good judgment. Contact your customer service representative for assistance.
6. According to the U.S. Consumer Products Safety Commission (CPSC) and the U.S. Environmental Protection Agency (EPA), this product has an estimated useful life of seven (7) years, under ordinary use conditions. At the end of its useful life, have the product inspected annually to ensure all mechanical and safety systems are operating properly, safely, and are not worn excessively. Failure to do so may result in accident, injury, or death.

Preparation Before Operating

1. Thoroughly inspect the area where the tractor is to be used. Remove all stones, sticks, wire, bones, toys, and other foreign objects which could be picked up and thrown by the blade(s). Thrown objects can cause serious personal injury.
2. To help avoid blade contact or a thrown object injury, keep helpers at least 75 feet (23 meters) from the tractor while it is in operation. Keep bystanders, children and pets inside during operation. Stop tractor if anyone enters the area.
3. Be aware of the tractor discharge direction and do not point it at anyone.
4. Always wear safety glasses or safety goggles during operation and while performing an adjustment or repair to protect your eyes. Thrown objects which ricochet can cause serious injury to the eyes.
5. Wear sturdy, rough-soled work shoes and close-fitting slacks and shirts. Loose fitting clothes, jewelry and long hair can be caught in moving parts. Never operate this tractor in bare feet or sandals.
6. Never over fill fuel tank. Fill tank to no more than ½" (13mm) below bottom of filler neck to allow space for fuel expansion.
7. Replace gasoline cap and tighten securely.
8. Use only accessories and attachments approved for this tractor by the tractor manufacturer. Read, understand and follow all instructions provided with the approved accessory or attachment.

Operating

1. Data indicates that operators, age 65 years and above, are involved in a large percentage of riding tractor-related injuries. These operators should evaluate their ability to operate the riding tractor safely enough to protect themselves and others from serious injury.
2. Disengage blade(s) and move the drive control levers fully outward to set the parking brake before attempting to start the engine.
3. Do not put hands or feet near rotating parts or under the cutting deck. Contact with the blade(s) can amputate hands and feet.
4. Watch for holes, ruts, bumps, rocks, or other hidden objects. Uneven terrain could overturn the tractor. Tall grass can hide obstacles.
5. Plan your mowing pattern to avoid discharge of material toward roads, sidewalks, helpers and the like. Avoid discharging material against a wall or obstruction which may cause discharged material to ricochet back toward the operator.
6. Check overhead clearances carefully before driving under low hanging tree branches, wires, door openings etc., where the operator may be struck or pulled from the tractor, which could result in serious injury.
7. Never leave a running tractor unattended. Always turn off blade(s), move drive control levers fully outward into park position, stop engine and remove key before dismounting.
8. Disengage blade(s), move the drive control levers fully outward to set the parking brake, stop engine and wait until the blade(s) come to a complete stop before removing grass catcher, emptying grass, unclogging chute, removing any grass or debris, or making any adjustments.
9. Your tractor is designed to cut normal residential grass of a height no more than 10" (25cm). Do not attempt to mow through unusually tall, dry grass (e.g. pasture) or piles of dry leaves. Dry grass or leaves may contact the engine exhaust and/or build up on the tractor deck presenting a potential fire hazard.
10. Back up slowly. Always look down and behind before and while backing to avoid a back-over accident.
11. Never carry passengers.
12. Stay at least 10 feet (3 meters) from drop-offs, ditches, embankments or the edge of water. The tractor could suddenly turn over if a wheel is over the edge of a cliff, ditch, or if an edge caves in.
13. A missing or damaged chute deflector can cause blade contact or thrown object injuries.
14. Do not operate the tractor without the chute deflector or entire grass catcher in its proper place.
15. Use extra care with grass catchers or other attachments. These can change the stability of the tractor. Always follow the attachment manufacturer's instructions.
16. Stop the blade(s) when crossing gravel drives, walks, or roads and while not cutting grass.
17. Watch for traffic when operating near or crossing roadways. This tractor is not intended for use on any public roadway.

SAFE OPERATIONS PRACTICES

18. Mow only in daylight or good artificial light.
19. Do not operate the tractor while under the influence of alcohol or drugs.
20. Slow down before turning. Operate the tractor smoothly. Avoid erratic operation and excessive speed.
21. The muffler and engine become very hot and can cause serious burn injuries. Do not touch. Allow the tractor to cool for five minutes before attempting any service.
22. Never run an engine indoors or in a poorly ventilated area. Engine exhaust contains carbon monoxide, an odorless, and deadly gas.

Children

1. Tragic accidents can occur if the operator is not alert to the presence of children. Children are often attracted to the tractor and the mowing activity. They do not understand the dangers. Never assume that children will remain where you last saw them.
2. Keep bystanders, children and pets inside during operation under the watchful care of a responsible adult other than the operator. Stop tractor if anyone enters the area.
3. Never carry children, even with the blade(s) shut off. They may fall off and be seriously injured or interfere with safe tractor operation. Children who have been given rides in the past could suddenly appear in the mowing area for another ride and be run over or backed over by the tractor.
4. Be alert and turn tractor off if a child or bystander enters the area.
5. To avoid back-over accidents, always look behind and down for small children.
6. Use extreme care when approaching blind corners, doorways, shrubs, trees or other objects that may block your vision of a child who may run into the path of the tractor.
7. Never allow children under 14 years of age to operate this tractor. Children 14 and over should read and understand the instructions and safe operation practices in this manual and on the tractor and should be trained and supervised by an adult.
8. Do not allow any child to joy ride on the tractor. The tractor is not a toy or a go-cart. Warn your children that the tractor can be dangerous and they must stay away from it at all times.
9. Keep children away from hot or running engines. They can suffer burns from a hot muffler.
10. Remove key when tractor is unattended to prevent unauthorized operation. Make certain the key is inaccessible to small children.

Slope Operation for Lapbar Zero-Turn Tractors

1. Slopes are a major factor related to loss of control and tip-over accidents which can result in severe injury or death. All slopes require extra caution. If you cannot back up the slope or if you feel uneasy on it, do not mow it.
2. For your safety, measure any slope before using the tractor on the sloped area. Use a slope measuring device in addition to the slope gauge included as part of this manual to measure slopes before operating this tractor on a sloped or hilly area. Smart phone applications can be also utilized to measure slopes. If the slope is greater than 15 degrees as shown on the slope gauge or a slope measuring device, do not operate this tractor on that area or serious injury could result.
3. Do not mow on slopes greater than 15 degrees (25%).
4. Do not mow up or down slopes, only mow across slopes that are less than 15 degrees (25%). Use low speeds and avoid sudden turns.
5. Do not mow on wet grass. Reduced traction could cause sliding or a loss of control.
6. Do not operate tractor under any conditions where traction, steering or stability is in question. Tires could slide even if the wheels are stopped.

7. Avoid starting and stopping on slopes. Avoid making sudden changes in speed or direction. Make turns slowly and gradually.
8. Use extra care while operating tractor with grass catcher or other attachment(s). They can affect the stability of the tractor. Do not use grass catcher on slopes greater than 10 degrees (17%).
9. Do not try to stabilize the tractor by putting your foot on the ground.
10. Keep all movement on the slopes slow and gradual. Do not make sudden changes in speed or direction. Rapid acceleration could cause the front of the tractor to lift and rapidly roll over backwards, which could cause serious injury or death.

Fire & Fuel

1. To avoid personal injury or property damage use extreme care in handling gasoline. Gasoline is extremely flammable and the vapors are explosive. Serious personal injury can occur when gasoline is spilled on yourself or your clothes which can ignite. Wash your skin and change clothes immediately.
2. Extinguish all cigarettes, cigars, pipes and other sources of ignition.
3. Use only an approved gasoline container.
4. Never remove gas cap or add fuel while the engine is hot or running. Allow engine to cool at least five minutes before refueling.
5. Never fuel tractor indoors.
6. Never store the tractor or fuel container inside where there is an open flame, spark or pilot light as on a water heater, space heater, furnace, clothes dryer or other gas appliances.
7. If gasoline is spilled, wipe it off the engine and equipment. Clean up oil or fuel spillage and remove any fuel soaked debris. Move tractor to another area. Wait 5 minutes before starting the engine.
8. To reduce fire hazards, keep tractor free of grass, leaves, or other debris build-up. Follow the "Post-Operation Tractor Care" instructions in the Product Care section.
9. Your tractor is designed to cut normal residential grass of a height no more than 10" (25cm). Do not attempt to mow through unusually tall, dry grass (e.g., pasture) or piles of dry leaves. Dry grass or leaves may contact the engine exhaust and/or build up on the tractor deck presenting a potential fire hazard.
10. Never over fill fuel tank. Fill tank to no more than 1/2" below bottom of filler neck to allow space for fuel expansion.
11. Replace gasoline cap and tighten securely. Do not operate without fuel cap in place.
12. Allow a tractor to cool at least five minutes before fueling or storing.
13. Never fill containers inside a vehicle or on a truck or trailer bed with a plastic liner. Always place containers on the ground away from your vehicle before filling.
14. When practical, remove gas-powered equipment from the truck or trailer and refuel it on the ground. If this is not possible, then refuel such equipment on a trailer with a portable container, rather than from a gasoline dispenser nozzle.
15. Keep the nozzle in contact with the rim of the fuel tank or container opening at all times until fueling is complete. Do not use a nozzle lock-open device.

Hauling

1. Use properly secured full width ramps for loading and unloading a tractor for transport.
2. Use extra care when loading or unloading the tractor into a trailer or truck. This tractor should not be driven up or down ramp(s), because the tractor could tip over, causing serious personal injury. The tractor must be pushed manually on ramp(s) to load or unload properly.
3. Raise the deck to the highest position for loading clearance.

SAFE OPERATIONS PRACTICES

Towing with your Lapbar Zero-Turn Tractors

1. Do not tow a load that exceeds 250 lbs (113 kg) rolling weight and never exceed 50 lbs (22 kg) tongue weight.
2. Do not attach towed equipment except at the hitch point of the tractor.
3. Never allow children or others in or on towed equipment.
4. Do not tow on slopes greater than 5 degrees (9%). On slopes, the weight of the towed equipment may cause loss of traction and loss of control and/or the ability to stop.
5. Always use extra caution when towing with a tractor capable of making tight turns (e.g. "zero-turn" ride-on tractor). Make wide turns to avoid jack-knifing.
6. Travel slowly and allow extra distance to stop.

Service

1. Keep machine in good working order. Do not use the tractor until worn or damaged parts are replaced.
2. To avoid serious injury or death, do not modify engine in any way. Tampering with the governor setting can lead to a runaway engine and cause it to operate at unsafe speeds. Never tamper with factory setting of engine governor. Do not change the engine governor settings or over-speed the engine. The governor controls the maximum safe operating speed of the engine.
3. Tractor blades are sharp. Wrap the blade or wear gloves, and use extra caution when servicing them.
4. Tractors with hydraulic pumps, hoses or motors; and/or diesel injections systems have fluid systems under pressure. Fluid escaping under pressure may have sufficient force to penetrate skin and cause serious injury. If fluid is injected into the skin, seek immediate medical attention. Keep body and hands away from pin holes or nozzles that eject fluid under high pressure. If a leak occurs, have the tractor immediately serviced by an authorized dealer.
5. Before cleaning, repairing, or inspecting, make certain the blade(s) and all moving parts have stopped. Turn off the engine, remove the key, and disconnect the spark plug wire(s) and ground against the engine to prevent unintended starting.
6. Check to make sure the blades come to complete stop in not more than (5) five seconds after disengaging the blade disengagement control per the interval in the Maintenance Schedule. Measure the stopping time with a stop watch. If the blades do not stop completely in less than five seconds, your tractor should be serviced professionally by an authorized dealer.
7. Check the safety interlock system per the interval in the Maintenance Schedule for proper function, as described later in this manual. If the safety interlock system does not function properly, have your tractor serviced professionally by an authorized dealer.
8. Never tamper with the safety interlock system or other safety devices. Check their proper operation regularly.
9. Check the blade(s) and engine mounting bolt torque in accordance to Maintenance Schedule chart in this manual. Also, visually inspect blade(s) for damage (e.g., excessive wear, bent, cracked). Replace the blade(s) with the original equipment manufacturer's (O.E.M.) blade(s) only.
10. Use of service parts which do not meet the original equipment specifications may lead to improper performance and compromise safety.
11. Keep all nuts, bolts, and screws tight to be sure the equipment is in safe working condition. Review the Maintenance Schedule chart in this manual for service interval information.
12. After striking a foreign object, stop the engine, disconnect the spark plug wire(s) and ground against the engine. Thoroughly inspect the tractor for any damage. Repair the damage before starting and operating.

13. Never attempt to make adjustments or repairs to the tractor while the engine is running.
14. Grass catcher components and the chute deflector are subject to wear and damage which could expose moving parts or allow objects to be thrown. Frequently check components and replace immediately with original equipment manufacturer's (O.E.M.) parts only.
15. Maintain or replace safety and instruction labels, as necessary.
16. Observe proper disposal laws and regulations for gas, oil, etc. to protect the environment.

Notice Regarding Emissions

Engines which are certified to comply with California and federal EPA emission regulations for SORE (Small Off Road Equipment) are certified to operate on regular unleaded gasoline, and may include the following emission control systems: Engine Modification (EM) and Three Way Catalyst (TWC) if so equipped.

When required, models are equipped with low permeation fuel lines and fuel tanks for evaporative emission control. California models may also include a carbon canister. Please contact Customer Support for information regarding the evaporative emission control configuration for your model.

Spark Arrestor

▲ WARNING

This tractor is equipped with an internal combustion engine and should not be used on or near any unimproved forest-covered, brush-covered or grass-covered land unless the engine's exhaust system is equipped with a spark arrestor meeting applicable local or state laws (if any).







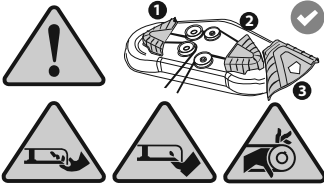


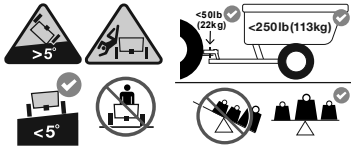
If a spark arrestor is used, it should be maintained in effective working order by the operator. In the State of California the above is required by law (Section 4442 of the California Public Resources Code). Other states may have similar laws. Federal laws apply on federal lands.

A spark arrestor for the muffler is available through your nearest engine authorized service dealer or contact the service department, P.O. Box 361131 Cleveland, Ohio 44136-0019.

SAFE OPERATIONS PRACTICES

Safety Symbols

This page depicts and describes safety symbols that MAY APPEAR on this product.

Symbol	Description
 <p>OPESymbol.com</p>	<p>WARNING – READ OPERATOR’S MANUAL Read, understand and follow all the safety rules and instructions in the manual(s) and on the tractor before attempting to operate this tractor. Failure to comply with this information may result in personal injury or death. Keep this manual in a safe location for future and regular reference. Using a Smart Phone, scan the QR code symbol to learn more information concerning the warnings contained on this tractor. You can also go to www.OPESymbol.com for more information.</p>
	<p>WARNING – AVOID THROWN OBJECTS INJURY Keep helpers at least 75' (23 meters) from machine during operation. Remove all stones, sticks, wire, bones, toys, and other foreign objects which could be picked up and thrown by the blade(s). Do not operate the tractor without the discharge cover or entire grass catcher in its proper place.</p>
	<p>WARNING – AVOID CHILD BACKOVER/RUNOVER/BLADE INJURY To avoid back-over accidents, always look behind and down for small children. Never carry children, even with the blade(s) shut off. Keep bystanders, children and pets inside during operation under the watchful care of a responsible adult other than the operator. Stop tractor if anyone enters the area.</p>
	<p>WARNING – AVOID TIP-OVER/ROLL-OVER INJURY Do not operate machine on a slope greater than 15° (25%). Do not mow up or down slopes, only mow across slopes that are less than 15 degrees (25%). Use low speeds and avoid sudden turns on slopes. Stay at least 10 feet (3 meters) from drop-offs, ditches, embankments or the edge of water</p>
	<p>WARNING – AVOID FIRES Your tractor is designed to cut normal residential grass of a height no more than 10" (25cm). Do not attempt to mow through unusually tall, dry grass (e.g., pasture) or piles of dry leaves. Allow a tractor to cool at least five minutes before fueling or storing inside an enclosed garage or storage shed.</p>
	<p>WARNING – AVOID AMPUTATION INJURY Do not put hands or feet near or under the cutting deck. Contact with the blade(s) can amputate hands and feet.</p>
	<p>WARNING – AVOID AMPUTATION INJURY Do not put hands or feet near rotating parts or under the cutting deck. Contact with the blade(s) can amputate hands and feet. Ensure that all safety devices (guards, shields, switches, etc.) are in place and working. Belt and/or blade spindle contact can crush or injury body parts.</p>
	<p>WARNING – AVOID CRUSH/PINCH POINT INJURY Read, understand and follow all the safety rules and instructions in the manual(s) and on the tractor before attempting to service this tractor. For foot lift models only, the deck lift system is spring-assisted and under tension. Always use the provided multi-tool to secure the lift system in the locked position before attempting to remove the mower deck.</p>
	<p>WARNING – REMOVE KEY Always turn off blade(s), move the drive control levers outward into park position, stop engine and remove key before dismounting. If you are leaving the tractor unattended, always remove the key to prevent unauthorized use by children or others.</p>
	<p>WARNING – AVOID TOWING RELATED INJURY Do not tow a load that exceeds 250 lbs (113 kg) rolling weight and never exceed 50 lbs (22 kg) tongue weight. Never allow children or others in or on towed equipment. Do not tow on slopes greater than 5 degrees (9%). On slopes, the weight of the towed equipment may cause loss of traction, loss of control and/or loss of the ability to stop. Travel slowly and allow extra distance to stop.</p>

▲ WARNING

Your Responsibility — Restrict the use of this power machine to persons who read, understand and follow the warnings and instructions in this manual and on the machine.

SAVE THESE INSTRUCTIONS!

Slope Gauge

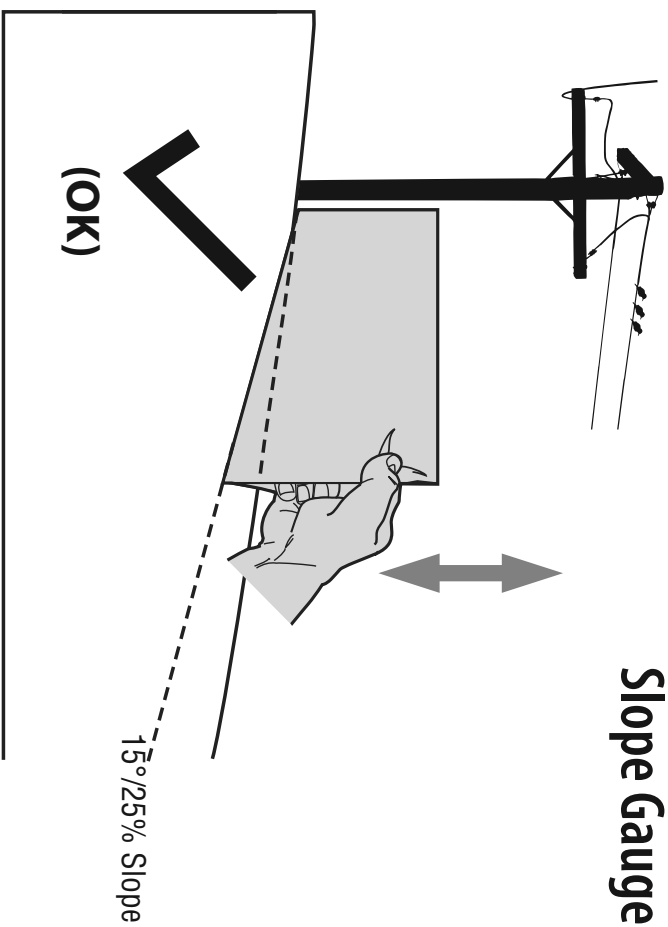


Figure 1

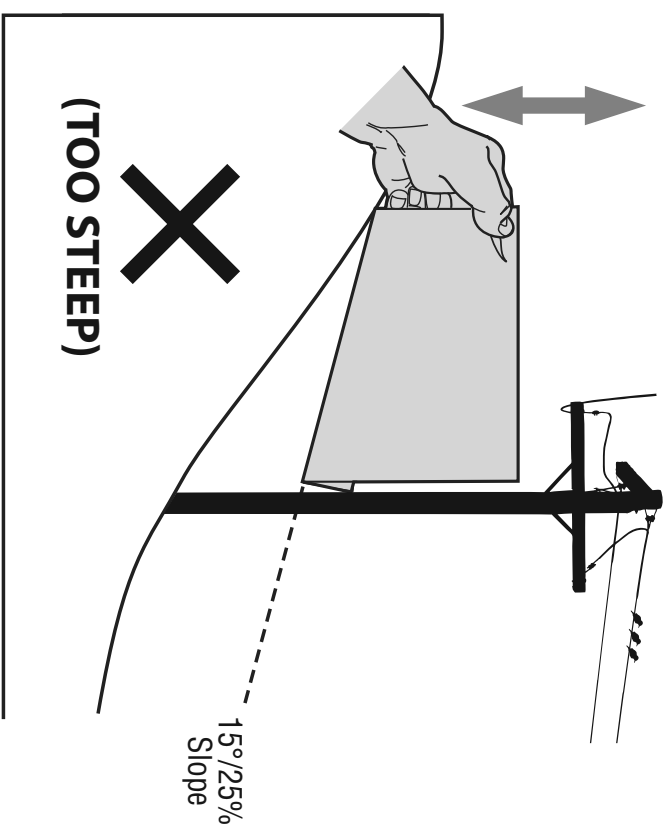


Figure 2

USE THIS SLOPE GAUGE TO DETERMINE IF A SLOPE IS TOO STEEP FOR SAFE OPERATION!

To check the slope, proceed as follows:

1. Remove this page and fold along the dashed line.
2. Locate a vertical object on or behind the slope (e.g. a pole, building, fence, tree, etc.)
3. Align either side of the slope gauge with the object (See Figure 1 and Figure 2).
4. Adjust gauge up or down until the left corner touches the slope (See Figure 1 and Figure 2).
5. If there is a gap below the gauge, the slope is too steep for safe operation (See Figure 2 above).

15°/25% dashed line



WARNING! Slopes are a major factor related to tip-over and roll-over accidents which can result in severe injury or death. Do not operate machine on slopes in excess of 15 degrees. All slopes require extra caution. If you cannot back up the slope or if you feel uneasy on it, do not mow it.

ASSEMBLY

Note: This Operator's Manual covers several models. Tractor features may vary by model. Not all features in this manual are applicable to all tractor models and the tractor depicted may differ from yours.

Note: All references in this manual to the left or right side and front or back of the tractor are from the operating position only. Exceptions, if any, will be specified.

Preparation

Manually Move the Tractor

- To engage the transmission bypass rods, pull the rod back (a) and into lower section of "J" slot. Repeat on opposite side. See Figure 1.
- After moving tractor, reverse step one to disengage the bypass rods.
- Remove the deck wash system nozzle adapter from the manual bag, store for future use.

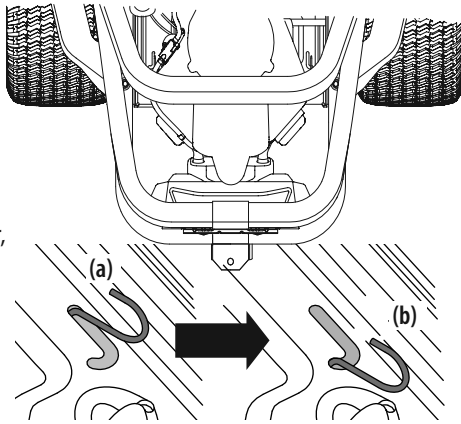


Figure 1

Install Hitch (If necessary)

- Locate Hitch (a) and install on the rear of the frame using the two hex washer screws (b) provided. See Figure 2.
- Note:** Hitch and hex washer screws will be the hardware pack.

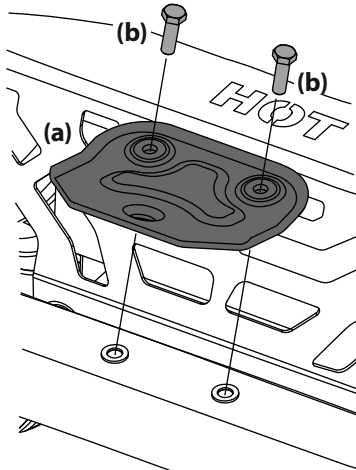


Figure 2

Reposition Upper Hoop (If necessary)

Upper hoop may be positioned down for shipping purposes:

- Remove the two hex washer screws (a) partially installed on the frame. See Figure 3.
- Rotate the upper hoop (b) into position. See Figure 3.
- Secure hoop in place with the hex washer screws removed in step 1. Torque the hex washer screws to 159-239 in-lbs (18-27 N-m).

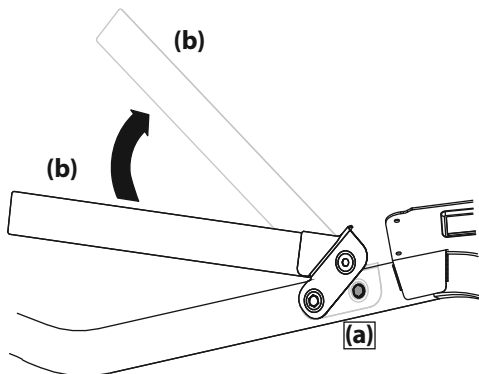


Figure 3

Install Operator's Seat

Knob Adjust or Lever Adjust

- Cut any straps securing the seat assembly to the tractor. Remove all packing material.

Note: Be careful not to cut the seat wiring harness.

- Install the seat onto the seat pan (a) using hardware provided.
 - For a Knob Adjust seat insert bolts (b) in the rear holes and lock washer (c) and knobs (d) in the front. Tighten securely. See Figure 4.
 - For a Lever Adjust seat use flange lock nuts (a) and flat washers (b). See Figure 5.

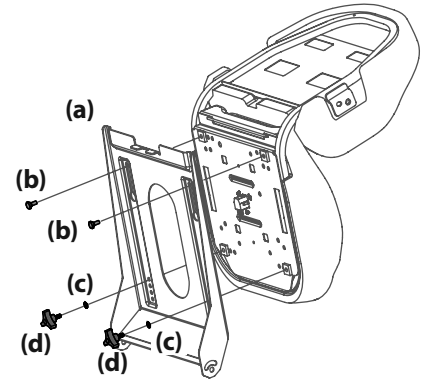


Figure 4

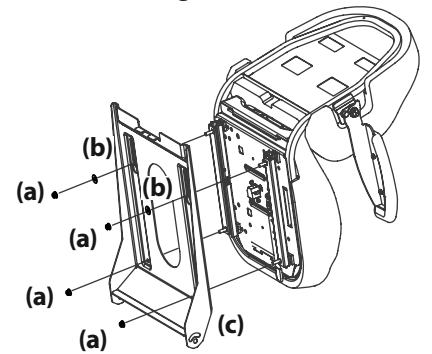


Figure 5

- If necessary, securely connect the seat switch wiring harness (a) to the seat switch (b). See Figure 6. Secure excess wire away from pinch points before continuing.

Note: Tractor will not operate without the seat switch wiring harness connected.

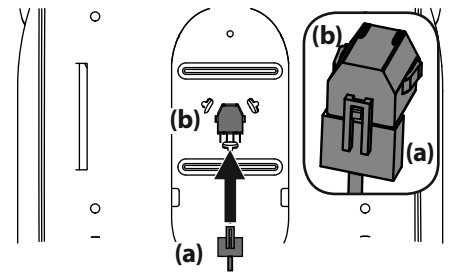


Figure 6

Position Lapbar Drive Control Levers

The lapbar drive control levers can be adjusted up/down and forward/backward for the operator's comfort. Three height positions are available and/or levers can be rotated forward or rearward using the knob.

To adjust the lapbar drive control lever height, proceed as follows:

- Remove the two carriage screws (a) and two flange lock nuts (b) that secure the lapbar drive control lever (c) to the upper handle adjuster (d). See Figure 7.
- Move the lapbar drive control lever into one of the three available heights and secure in place with the carriage screws and flange lock nuts. See Figure 7.

Note: The multi-tool (if equipped) can be used to make this adjustment.

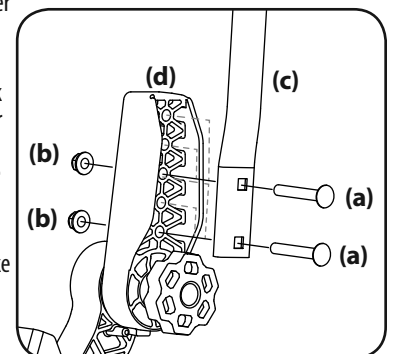


Figure 7

ASSEMBLY

To adjust the lapbar drive control levers forward/rearward, proceed as follows:

1. Rotate the knob (a) counter-clockwise to loosen the knob (a). See Figure 8.
2. Lift and rotate the lapbar drive control lever into the desired position.
3. Rotate the knob clockwise to secure the lapbar drive control lever into position. See Figure 8.

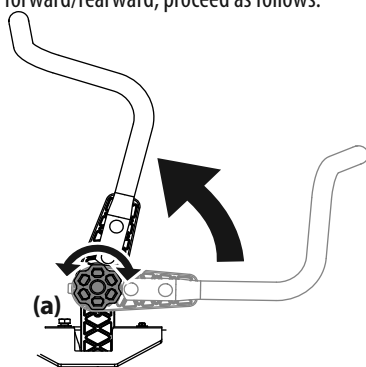


Figure 8

Lower Deck Discharge Chute Deflector

⚠ WARNING

Never operate the mower deck without the chute deflector installed and in the down position.

42" Deck Models

1. Remove the keys attached with a zip tie to the chute bracket.
2. Remove the flange lock nut and hex screw from the deck.
3. Place the chute deflector on the deck, be sure to insert the tabs on the chute deflector into the holes on the deck. See Figure 9.
4. Slide the chute deflector toward the rear of the tractor until the bolt hole in the chute deflector aligns with the hole in the deck. See Figure 9.
5. Secure the chute deflector in place with the flange lock nut and hex screw removed in step two. Tighten to 102-124 in-lbs (11.5-14 N-m). See Figure 9. Skip ahead to "Setting Front Gauge Wheels."

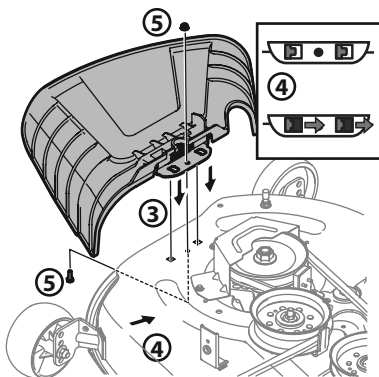


Figure 9

46"/50"/54"/60" Deck Models

1. The chute is shipped attached and with a stop bracket holding the chute upright. The stop brackets must be removed prior to operating the tractor.
2. Holding the chute deflector fully upward, remove the stop bracket. Lower the chute deflector and discard the stop bracket. See Figure 10.

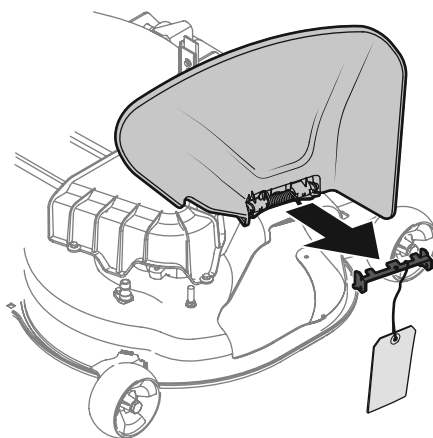


Figure 10

Setting Front Gauge Wheels (If equipped)

Note: The deck wheels are an anti-scalp feature of the deck and are not designed to support the weight of the cutting deck.

1. Move the tractor to a level surface, preferably pavement.
2. Check tire pressure, adjust, if necessary. See tire side wall for proper tire pressure.
3. Make sure the deck is level side-to-side and properly pitched. See the Product Care section for deck leveling information and instructions.
4. Place deck lift lever or knob in the desired mowing height position.
5. Check the wheels for contact or excessive clearance with the surface below.

Note: The deck wheels should have between 1/4" (6.35mm) and 1/2" (12.7mm) clearance above the ground.

6. Remove the lock nut (a) gauge wheel (b) and shoulder screw (c) from the deck. See Figure 11.
7. Insert the shoulder screw into one of four index holes on front gauge wheel bracket. Allow a 1/4-1/2" (6.35-12.7 mm) clearance between the ground and gauge wheel.
8. Note the index hole used on previously adjusted wheel. Repeat adjustment on opposite side to align both gauge wheels.

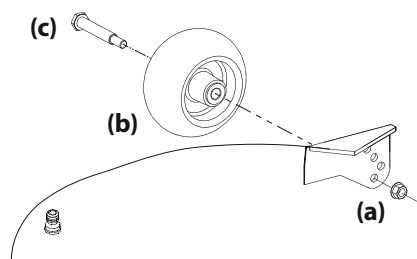


Figure 11

Note: Refer to Adjusting the Deck section of this manual for more detail.

Battery Information

⚠ WARNING

California **PROPOSITION 65 WARNING:** Battery posts, terminals, and related accessories contain lead and lead compounds, chemicals known to the State of California to cause cancer and reproductive harm. Wash hands after handling.

⚠ WARNING

Should battery acid accidentally splatter into the eyes or onto the skin, rinse the affected area immediately with clean cold water. Seek prompt medical attention.

If acid spills on clothing, first dilute it with clean water, then neutralize with a solution of ammonia/water or baking soda/water.

NEVER connect (or disconnect) battery charger clips to the battery while the charger is turned on, as it can cause sparks.

Keep all sources of ignition (cigarettes, matches, lighters) away from the battery. The gas generated during charging can be combustible.

As a further precaution, only charge the battery in a well ventilated area. Always shield eyes and protect skin and clothing when working near batteries.

Batteries contain sulfuric acid and may emit explosive gases. Use extreme caution when handling batteries. Keep batteries out of the reach of children.

⚠ CAUTION

When attaching battery cables, always connect the **POSITIVE** (Red) wire to terminal first, followed by the **NEGATIVE** (Black) wire.

Note: The positive battery terminal is marked Pos. (+). The negative battery terminal is marked Neg. (-).

ASSEMBLY

Connecting Battery Cables

⚠ WARNING

Always connect the positive lead to the battery before connecting the negative lead. This will prevent sparking or possible injury from an electrical short caused by contacting the tractor body with tools being used to connect the cables.

For shipping reasons the factory may leave both battery cables disconnected from the terminals. To connect the battery cables, proceed as follows:

1. If present, remove the plastic cover from the positive battery terminal. Attach the red connector to the positive battery terminal (+) using the bolt (a) and hex nut (b). See Figure 12.
2. If present, remove the plastic cover from the negative battery terminal and attach the black cable to the negative battery terminal (-) with the bolt (a) and hex nut (b). See Figure 12.
3. Position the red rubber boot (c) over the positive battery terminal to help protect it from corrosion. See Figure 12.

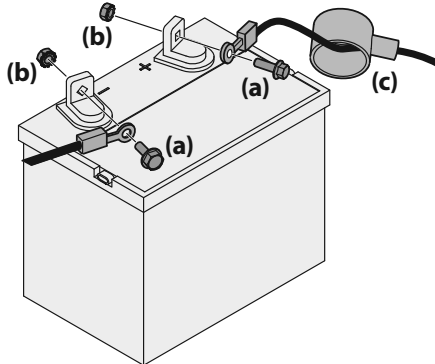


Figure 12

Note: If the battery is put into service after date shown on top/side of battery, charge the battery as instructed in the Product Care section, prior to operating.

Battery Maintenance

- The battery is filled with battery acid and then sealed at the factory. However, even a "maintenance free" battery requires some maintenance to ensure its proper life cycle.
- Spray the terminals and exposed wire with a battery terminal sealer, or coat the terminals with a thin coat of grease or petroleum jelly, to protect against corrosion.
- Always keep the battery cables and terminals clean and free of corrosion.
- Avoid tipping. Even a sealed battery will leak electrolyte when tipped.

Battery Storage

- When storing the tractor for extended periods, disconnect the negative battery cable. It is not necessary to remove the battery.
- All batteries discharge during storage. Keep the exterior of the battery clean, especially the top. A dirty battery will discharge more rapidly.
- The battery must be stored with a full charge. A discharged battery can freeze sooner than a charged battery. A fully charged battery will store longer in cold temperatures than hot.
- Recharge the battery before returning to service. Although the tractor may start, the engine charging system may not fully recharge the battery.

Battery Removal

⚠ WARNING

Battery posts, terminals and related accessories contain lead and lead compounds. Wash hands after handling.

The battery is located beneath the seat frame. To remove the battery:

1. Remove the hex washer screw (a) securing the battery hold-down bracket (b) to the frame. Then flip the battery hold-down bracket (b) up to free the battery. See Figure 13.
2. Remove the hex cap screw and sems nut securing the black negative battery lead to the negative battery post (marked NEG). Move the cable away from the negative battery post.
3. Remove the hex cap screw and sems nut securing the red positive battery lead to the positive battery post (marked POS).
4. Carefully lift the battery out of the tractor.
5. Install the battery by repeating the above steps in the reverse order.

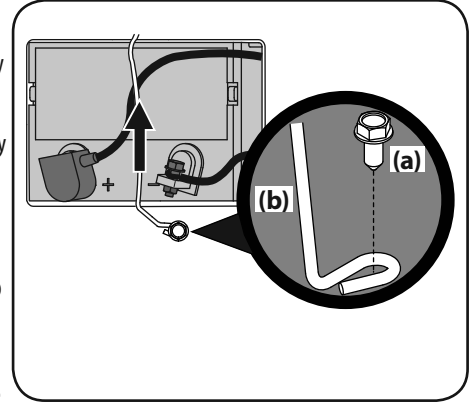


Figure 13

Charging the Battery

Test and, if necessary, recharge the battery after the tractor has been stored for a period of time.

Voltmeter Reading	State of Charge	Charging Time
12.7	100%	Full Charge
12.4	75%	90 Min.
12.2	50%	180 Min.
12.0	25%	280 Min.

- A voltmeter or load tester should read 12.6 volts (DC) or higher across the battery terminals. See Figure 14.
- Charge the battery with a 12-volt battery charger at a MAXIMUM rate of 10 amps.

Figure 14

Adjusting the Seat

Knob Adjust

1. Remove the knobs (a).
2. Slide the seat up or down into the desired position.
3. Replace the knobs into one of the four hole settings and tighten securely. See Figure 15.

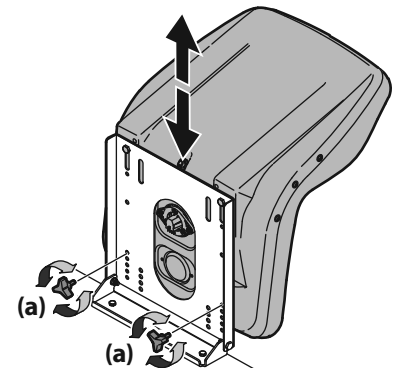


Figure 15

Lever Adjust

1. Push left and hold the seat adjustment lever to adjust the seat position.
2. Slide seat forward or rearward to desired position.
3. Release the adjustment lever. Ensure seat is locked into position before operation. See Figure 16.

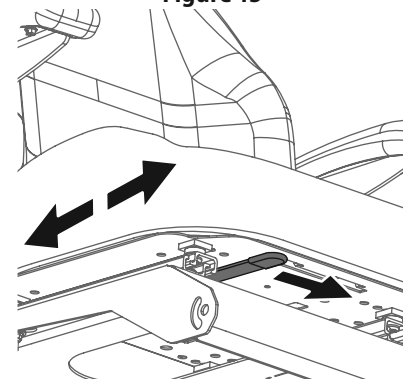


Figure 16

OPERATION

Note: This Operator's Manual covers several models. Tractor features may vary by model. Not all features in this manual are applicable to all tractor models and the tractor depicted may differ from yours.

Note: References to LEFT, RIGHT, FRONT, and REAR indicate that position on the tractor when facing forward while seated in the operator's seat.

① Lapbar Drive Control Levers

The RH (Right Hand) and LH (Left Hand) lapbar drive control levers are located on each side of the operator's seat. The hinged levers pivot outward to permit the operator to sit in the seat, or dismount. To start the tractor's engine, the lapbar drive control levers must be fully out and in park position. When the lapbar drive control levers are fully outward, the parking brake is engaged.

Each drive control lever controls the respective transmission. Consequently, these levers control all of the tractor's movement. Driving and steering using these control levers is quite different from a conventional tractor and will take practice to master. Refer to Practice Operation section for further instructions.

② Deck Height Index

If equipped with a deck lift handle:

Each height index notch corresponds to approximately a 1/2" (12.7mm) change in deck height. See 3 in Figure 15.

If equipped with a deck lift pedal and knob:

Each rotation represents a 1/4" (6.35 mm) change in deck height. Positions range from 1" (2.5 cm) to 4-1/2" (11.4 cm) at the highest point. See 4a and 4b in Figure 15.

③ Deck Lift Handle (If Equipped)

The deck lift handle is used to raise and lower the mower deck. To lower the deck, pull the deck lift handle to the right out of the index notch and push downward. To raise the deck, pull upward. Ensure handle is fully positioned into the height index notch when the desired height is attained.

④a Deck Lift Pedal (If Equipped)

The deck lift pedal is located on the front, right corner of the platform. The pedal is used in conjunction with the deck lift knob (if equipped) to raise and lower the mowing deck. Push forward on the deck lift pedal, rotate the deck lift knob to the desired height and release the deck lift pedal.

④b Deck Lift Knob (If Equipped)

The deck lift knob is used in conjunction with the deck lift pedal (if equipped) to raise and lower the mowing deck. Push forward on the deck lift pedal, rotate the deck lift knob to the desired height and release the deck lift pedal.

⑤ Power Take-Off (PTO)

Electric PTO (If equipped)

The PTO switch operates the electric PTO clutch mounted on the bottom of the engine crankshaft. Pull the switch knob upward to engage the PTO clutch, or push the knob downward to disengage the clutch.

The PTO switch must be in the "OFF" position when starting the engine.

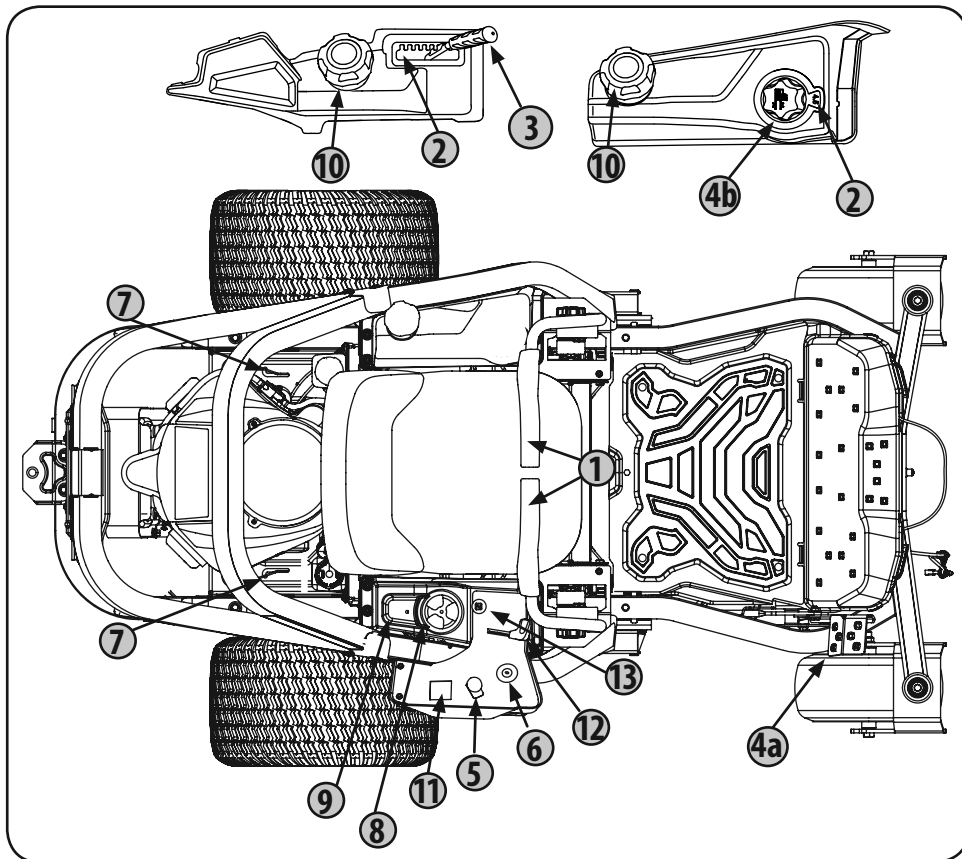


Figure 15

⑥ Ignition Switch

⚠ WARNING

Never leave a running machine unattended. Always disengage PTO, set parking brake, stop engine and remove key to prevent unintended starting.

The ignition switch has three positions:

STOP — The engine and electrical system is turned off.

RUN — The riding mower electrical system is energized.

START — The starter motor will turn over the engine. Release the key immediately when the engine starts.

Note: To prevent accidental starting and/or battery discharge, remove key from the ignition switch when tractor is not in use.

⑦ Transmission Bypass Rods

The transmission bypass rods (one for each RH and LH transmission) are located on the rear of the tractor, next to the engine. When engaged, the two rods open a bypass within the hydrostatic transmissions, which allows the tractor to be pushed short distances by hand. Refer to the Assembly section for additional instructions.

⚠ CAUTION

Never tow your tractor. Towing the tractor with the rear wheels on the ground may cause severe damage to the transmissions.

OPERATION

⑧ Cup Holder

The cup holder is located on the top of the console.

⑨ Storage Tray

The storage tray is located to the rear of the console.

⑩ Fuel Tank Cap

Turn the fill cap at least two clicks counter clockwise and pull upward to remove. The fuel cap is tethered to the tractor to prevent its loss. Do not attempt to remove the cap from the tractor. Fill tank to $\frac{1}{2}$ " (12.7 mm) below the bottom of the filler neck, allowing some space in the tank for fuel expansion. Do not overfill the tank.

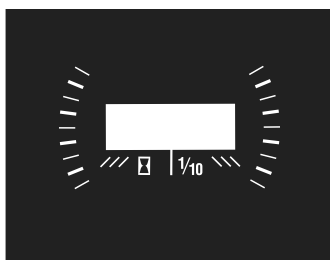
Push the cap downward on the fuel tank fill neck and turn at least two clicks clockwise to tighten. Always re-install the fuel cap tightly onto the fuel tank after removing.

⚠ WARNING

Never fill the fuel tank when the engine is running. If the engine is hot from recently running, allow to cool for at least five minutes before refueling. Highly flammable gasoline could splash onto the engine and cause a fire.

⑪ Hour Meter & LCD Service Minder (If equipped)

The LCD service minder will remind the operator of maintenance intervals for changing the engine oil, air filter service, low engine and low battery warnings. When the key is rotated out of the STOP position but is not in the START position, the LCD service minder & hour meter will briefly display the battery voltage, followed by the tractor's accumulated hours.



Note: When the ignition key is out of the STOP position the hourglass symbol is illuminated/blinks to indicate it is recording the hours of tractor operation, regardless of whether the engine has been started.

Change Oil

The LCD screen will alternate the letters "CHG", followed by "OIL", followed by "SOON", followed by the meter's accumulated time. "CHG/OIL/SOON/TIME" will alternate on the display for 7 minutes after the meter reaches 50 hours. This oil service minder interval will occur every 50 hours. Before the interval expires, change the engine oil as instructed in the Engine Operator's Manual

Low Oil

Note: The low oil pressure function only works if the engine is equipped with an oil pressure switch.

The LCD screen will alternate the letters "LO" followed by "OIL", followed by the meter's accumulated time, which indicates the engine has low oil pressure. This is common when starting an engine. The indicator will remain active until the engine sufficiently builds pressure after starting. If it remains on with the engine at full speed and after a few minutes of operation, stop the tractor immediately and check the engine oil level and add as instructed in the Engine Operator's Manual. If the oil level is correct and the indicator persists, contact an authorized service dealer.

Low Battery

At startup, the battery voltage will briefly display, then changes to accumulated hours. The letters "LO" followed by the letters "BATT" will display, followed by the meter's accumulated time. "LO/BATT/TIME" is displayed on the LCD when the voltage drops below 11.5 volts. When this occurs, the battery is in need of a charge or the engine's charging system is not generating sufficient amperage. Charge the battery as instructed in the Product Care section of this manual or have the charging system checked by your local service dealer.

Air Filter Service

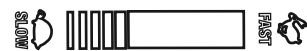
The LCD screen will display the letters "CLN" followed by the letters "AIR", followed by "FILT", followed by the meter's accumulated time. "CLN/AIR/FILT/TIME" will alternate on the display for 7 minutes after the meter reaches 25 hours. This air filter service minder time interval will be every 25 hours. On intervals that are common with oil service, the oil message will be displayed first followed by the air filter message.

⑫ Throttle/Choke Control Lever or Throttle Control Lever

Note: When set in a given position, a uniform engine speed will be maintained.

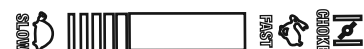
Throttle Control Lever (If equipped)

Push the throttle control lever forward to increase the engine speed. The tractor is designed to operate with the throttle control lever at full throttle (FAST) when the tractor is being driven and the tractor deck is engaged. Pull the throttle control lever rearward to decrease the engine speed.



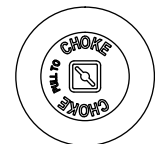
Throttle/Choke Control Lever (If equipped)

Push the throttle/choke control lever forward to increase the engine speed. The tractor is designed to operate with the throttle/choke control lever at full throttle (FAST) when the tractor is being driven and the mower deck is engaged. Pull the throttle/choke control lever rearward to decrease the engine speed. When starting the engine, push the control lever fully forward into the "CHOKE" position. After starting and warming the engine, move the control handle rearward until you feel it move past the choke detent. Throttle is not meant to control unit speed, throttle should remain in high speed while operating blades.



⑬ Choke Control (If equipped)

The choke control determines the position of the engine choke. Pull the knob out to choke the engine; push the knob in to open the choke.



Multi-Tool (If equipped)

The multi-tool (a) is located on the front of the right console. The multi-tool (a) can be used as a deck lift lockout, to remove the footpan bolt, adjust the height of the lapbar drive control levers, drive control lever stop adjustment and can be used as a removal tool with the $\frac{1}{2}$ " socket end. See the Product Care section for more information on multi-tool (a) usage. See Figure 16.

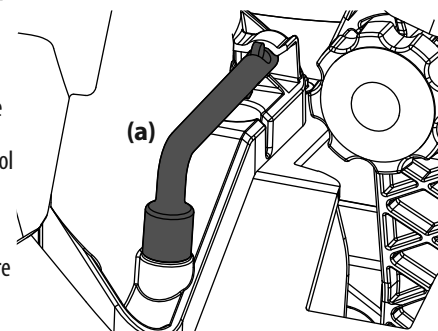


Figure 16

Headlights (Not shown/If equipped)

The headlights are located on the front of the frame. The headlights are ON whenever the ignition key is rotated out of the STOP position and OFF when the ignition key is moved to the STOP position.

Seat Adjustment Lever (Not shown/If equipped)

The seat adjustment lever is located under the seat. The seat adjustment lever allows for adjustment forward or backward of the operator's seat. Refer to the Assembly & Set-Up section for instructions on adjusting the seat position.

Note: If your tractor is not equipped with a seat adjustment lever, it can be adjusted using the knobs on the underside of the seat. Refer to the Assembly & Set-Up section for instruction on adjusting the seat.

OPERATION

Operation

Before Operating Your Tractor

- Before operation, refer to Maintenance Schedule chart located in this manual for regularly scheduled service items.
- This engine is certified to operate only on clean, fresh, unleaded gasoline. Fill only with clean, fresh, unleaded gasoline with a pump sticker octane rating of 87 or higher.
- Do not use gasoline left over from the previous season, to minimize gum deposits in the fuel system.
- Gasohol (up to 10% ethyl alcohol, 90% unleaded gasoline by volume) is an approved fuel. Other gasoline/alcohol blends are not approved.
- Methyl Tertiary Butyl Ether (MTBE) and unleaded gasoline blends (up to a maximum of 15% MTBE by volume) are approved fuels. Other gasoline/ether blends are not approved.

Safety Interlock System

⚠ WARNING

Do not operate the tractor if the safety interlock system is malfunctioning. This system was designed for your safety and protection.

This tractor is equipped with a safety interlock system for the protection of the operator. If the interlock system should ever malfunction, do not operate the tractor. Contact an authorized service dealer.

- The safety interlock system prevents the engine from cranking or starting unless the parking brake is engaged, and the PTO lever is in the DISENGAGED (OFF) position.
- The engine will automatically shut OFF if the operator leaves the seat before engaging the parking brake.
- The engine will automatically shut OFF if the operator leaves the tractor's seat with the PTO switch in the ENGAGED (ON) position, regardless of whether the parking brake is engaged.

Checking the Safety Interlock Circuits

Periodically check the safety interlock circuits to ensure they are working properly. If a safety circuit is not working as designed, contact your Service dealer to have the tractor inspected. DO NOT operate the tractor if any safety circuit is not functioning properly. To check the safety circuits, proceed as follows:

1. Pull the PTO upward to the ENGAGED (ON) position. Momentarily turn the ignition switch to the START position; the engine should not crank.
2. With the tractor running move both lapbar drive control levers fully inward in the neutral position; then lift upward from the operator's seat. The engine should stop.
3. With both lapbar drive control levers fully outward in the parking brake engaged position, engage the PTO. Lift upward from the operator's seat; the engine should stop.

Starting the Engine

⚠ CAUTION

The operator should be sitting in the tractor seat when starting the engine.

1. Operator should be sitting in the tractor seat with the lapbar drive control levers fully out and in the park position. See Figure 17. Refer to Practice Operation for further instructions.
2. Make certain the PTO is in the "OFF" position. Move the choke control or throttle/choke control into the full choke position. Move the throttle control to midway between its slow and fast positions on models with a separate choke control.

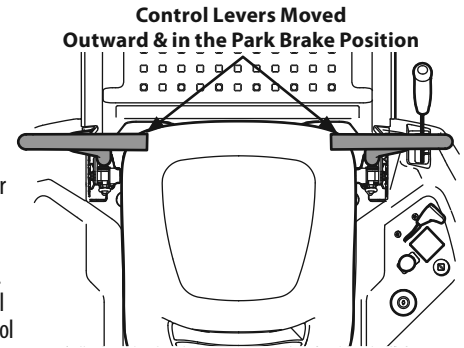


Figure 17

Note: If the engine is warmed up, it may not be necessary to choke the engine.

3. Turn the key clockwise to the START position. After the engine starts, release the key. It will return to the RUN position.

⚠ CAUTION

Do NOT hold the key in the START position for longer than ten seconds at a time. Doing so may cause damage to your engine's electric starter.

4. As the engine warms up, gradually pull the throttle/choke control lever rearward past the choke detent position or slowly disengage the choke on models with a separate choke. Do not use the choke position to enrich the fuel mixture, except as necessary to start the engine.
5. Allow the engine to run for a few minutes at mid-throttle before putting the engine under load.
6. Observe the hour meter/indicator panel. If the battery indicator light or oil pressure light come on, immediately stop the engine. Have the tractor inspected by your authorized service dealer.

Cold Weather Starting

When starting the engine at temperatures near or below freezing, ensure the correct viscosity motor oil is used in the engine and the battery is fully charged. Start the engine as follows:

1. Be sure the battery is in good condition. A warm battery has much more starting capacity than a cold battery.
2. Use fresh winter grade fuel. Winter grade gasoline has higher volatility to improve starting. Do not use gasoline left over from summer.
3. Follow the previous instruction for Starting the Engine.

Using Jumper Cables To Start Engine

⚠ WARNING

Batteries contain sulfuric acid and produce explosive gasses. Make certain the area is well ventilated, wear gloves and eye protection, and avoid sparks or flames near the battery.

If the battery charge is not sufficient to crank the engine, recharge the battery. If a battery charger is unavailable and the tractor must be started, the aid of a booster battery will be necessary. Connect the booster battery as follows:

1. Connect the end of one cable to the disabled tractor battery's positive terminal; then connect the other end of that cable to the booster battery's positive terminal.

OPERATION

2. Connect one end of the other cable to the booster battery's negative terminal; then connect the other end of that cable to the frame of the disabled tractor, as far from the battery as possible.
3. Start the disabled tractor following the normal starting instructions previously provided; then disconnect the jumper cables in the exact reverse order of their connection.
4. Have the tractor's electrical system checked and repaired as soon as possible to eliminate the need for jump starting.

Stopping the Engine

1. Disengage the PTO.
2. Move the RH and LH lapbar drive control levers fully outward into the Park Brake engaged position.
3. Move the throttle control to midway between the slow and fast positions.
4. Turn the key to the STOP position and remove the key from the ignition module.

Note: Always remove the key from the ignition module to prevent accidental starting or battery discharge if the equipment is left unattended.

Practice Operation (Initial Use)

Operating a zero-turn tractor is not like operating a conventional type riding tractor. Although and because a zero turn tractor is more maneuverable, getting used to operating the lapbar drive control levers takes some practice.

It is strongly recommended that you locate a reasonably large, level and open "practice area" where there are no obstructions, pedestrians, or animals. You should practice operating the tractor for a minimum of 30 minutes.

Carefully move (or have moved) the tractor to the practice area. When performing the practice session, the PTO should not be engaged. While practicing, operate the tractor at approximately $\frac{1}{2}$ - $\frac{3}{4}$ throttle and at less than full speed in both forward and reverse.

Carefully practice maneuvering the tractor using the instructions in the following section "Driving the Tractor." Practice until you are confident that you can safely operate the tractor.

Driving the Tractor

⚠ WARNING

Keep all movement of the lapbar drive control levers slow and smooth. Abrupt movement of the control levers can affect the stability of the tractor and could cause the tractor to flip over, which may result in serious injury or death to the operator.

1. Adjust the operator's seat to the most comfortable position that allows you to operate the controls. See seat adjustment in the Assembly & Set-Up section.
2. Move the RH and LH lapbar drive control levers inward in the neutral position which also disengages the parking brake. Refer to Figure 18.

Note: Lapbar drive control levers must be moved fully inward before pushing forward or backward to ensure brakes are fully disengaged. Parking the tractor on uneven terrain or a hill may cause the brakes to bind and not release fully. In this case the tractor will not drive when the lapbar drive control levers are moved. If this happens, move the lapbar drive control lever in the opposite direction slightly to take the load off the brakes and allow them to release fully.

Note: If the lap bar drive control levers are not even in the neutral position, refer to Maintenance & Adjustments for instructions to adjust the lapbar drive control levers so that they are even.

3. Move the throttle to the full throttle position.

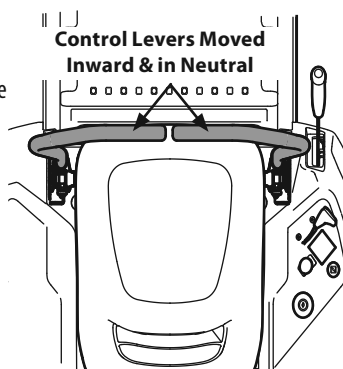


Figure 18

⚠ WARNING

Always maintain a firm grip on the control levers. DO NOT release the control levers to slow or stop the tractor; move levers to neutral position using your hands.

4. To drive the tractor, firmly grasp the respective lapbar drive control levers with your right and left hands and continue with Driving the Tractor Forward in the next section.

Driving the Tractor Forward

1. Slowly and evenly move both lapbar drive control levers forward. The tractor will start to move forward. See Figure 19.
2. As the lapbar drive control levers are pushed farther forward the speed of the tractor will increase.
3. To slow the tractor move the drive controls lever rearward to attain the desired speed, or move the lapbar drive control levers to the neutral position to stop the tractor.

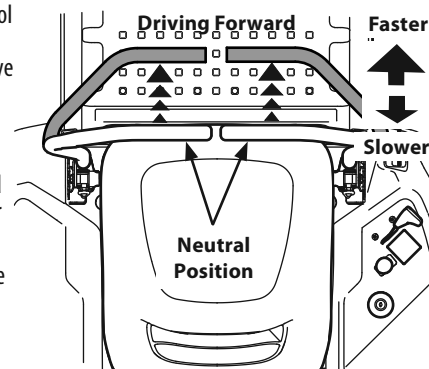


Figure 19

Turning the Tractor While Driving Forward

⚠ WARNING

Sharp turns can affect control of the tractor. ALWAYS slow the tractor before making sharp turns.

To turn the tractor while driving forward, move the lapbar drive control levers as necessary so that one drive control lever is rearward of the other. The tractor will turn in the direction of the rearward drive control lever.

1. To turn to the left, move the left drive control lever rearward of the right drive control lever. See Figure 20.
2. To turn to the right, move the right drive control lever rearward of the left lever. See Figure 21.
3. The greater the distance between the two levers, the sharper the tractor will turn.
4. To execute a "pivot turn," move the turn side drive control lever to the neutral position, while moving the other control lever forward.

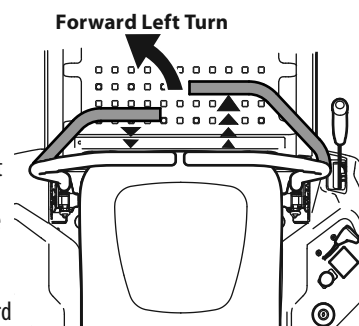


Figure 20

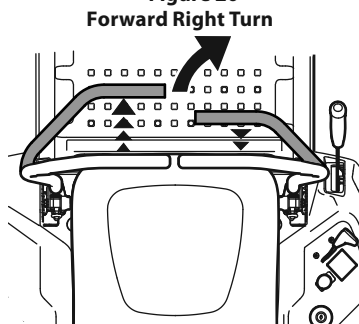


Figure 21

Note: Making a "pivot turn" on grass will greatly increase the potential for defacement of the turf.

OPERATION

Driving the Tractor In Reverse

⚠ WARNING

Always look behind and down on both sides of the tractor before backing up. Always look behind while traveling in the reverse direction. Mowing in reverse is not recommended.

1. Slowly and evenly move both lapbar drive control levers rearward. The tractor will start to move in the reverse direction. See Figure 22.
2. As the lapbar drive control levers are pushed farther rearward the speed of the tractor will increase.
3. To slow the tractor move the lapbar drive control levers forward to attain the desired speed, or move the lapbar drive control levers to the neutral position to stop the tractor.

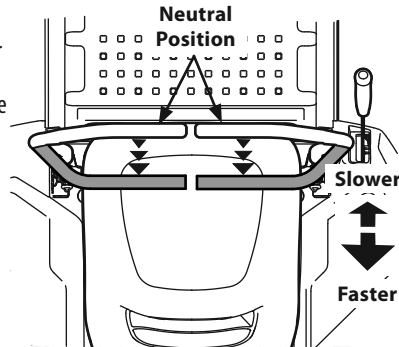


Figure 22

Turning While Driving Rearward

To turn the tractor while driving rearward, move the lapbar drive control levers as necessary so that one drive control lever is forward of the other. The tractor will turn in the direction of the forward lapbar drive control lever.

1. To turn to the left while traveling in reverse, move the left drive control lever forward of the right drive control lever. See Figure 23.

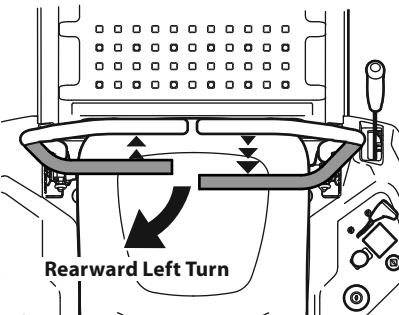


Figure 23

2. To turn to the right while traveling in reverse, move the right drive control lever forward of the left drive control lever. See Figure 24.

The greater the distance between the two lapbar drive control levers, the sharper the tractor will turn.

3. To execute a "pivot turn," move the turn side drive control lever to the neutral position, while moving the other drive control lever rearward.

Note: Making a "pivot turn" on grass will greatly increase the potential for defacement of the turf.

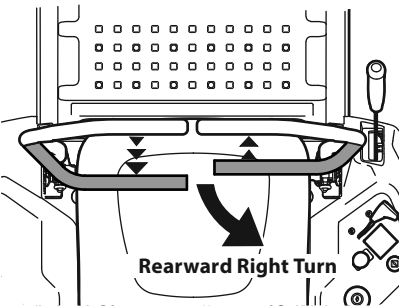


Figure 24

Executing a Zero Turn

1. Stop the forward or reverse motion of the tractor by moving the two lapbar drive control levers to neutral.
2. To turn clockwise, move the left lapbar drive control lever forward while simultaneously moving the right lapbar drive control lever rearward. See Figure 25.
3. To turn counterclockwise, move the lapbar right drive control lever forward while simultaneously moving the left lapbar drive control lever rearward. See Figure 26.

Clockwise Zero Turn

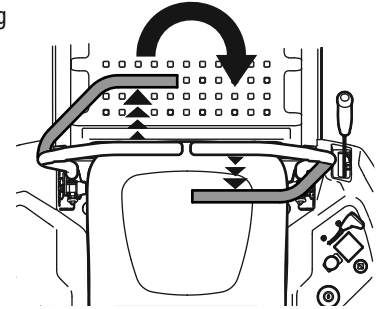


Figure 25

Counterclockwise Zero Turn

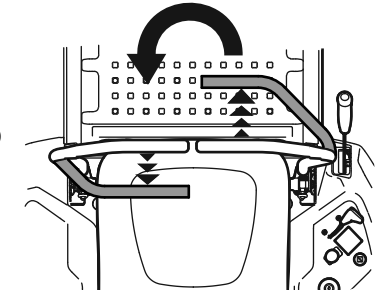


Figure 26

Stopping the Tractor

1. Move both lapbar drive control levers to the neutral position to stop the motion of the tractor.
2. Push the PTO downward to the OFF position.
3. Use the deck lift knob/handle to raise the deck to its highest position.
4. If dismantling the tractor, move the lapbar drive control levers fully outward in the neutral position which also engages the parking brake, move the throttle to the FAST position, turn the key to STOP and remove the from the ignition module.

⚠ WARNING

Do not leave the seat of the tractor without disengaging the PTO and moving lapbar drive control levers fully outward into the Park Brake engaged position. If leaving the tractor unattended, turn the ignition key to the STOP position and remove key.

Engaging the PTO

Engaging the PTO transfers power to the cutting deck or other (separately available) attachments. To engage the PTO:

1. Move the throttle to the FAST position.
2. Pull the PTO switch up/out into the ENGAGED (ON) position.

Note: When operating the tractor be certain that the throttle is always in the FAST position. Operating with the throttle at less than full throttle may lead to premature battery wear and a poor quality cut.

3. To disengage the PTO, push the PTO switch down/in to the DISENGAGED (OFF) position.

OPERATION

Mowing

WARNING

To help avoid blade contact or a thrown object injury, keep bystanders, helpers, children and pets at least 75 feet from the machine while it is in operation. Stop machine if anyone enters the area.

WARNING

Make certain the area to be mowed is free of debris, sticks, stones, wire or other objects that can be thrown by the rotating blades.

Note: Do not engage the mower deck when lowered in grass. Premature wear and possible failure of the 'V' belt and PTO clutch will result. Fully raise the deck or move to a non grassy area before engaging the mower deck.

- Mow across slopes, not up and down. If mowing a slope, start at bottom and work upward to ensure turns are made uphill.
- Do not mow at high ground speed, especially if a mulch kit or grass collector is installed.
- Do not cut the grass too short. Short grass is prone to weed growth and yellows quickly in dry weather.
- Always operate the tractor with the throttle in the FAST position while mowing.
- On the first pass pick a point on the opposite side of the area to be mowed. Follow the point to maintain a straight line
- Engage the PTO and move the throttle control or throttle/choke control to the FAST position.
- Lower the mower deck to the desired height setting.
- For best results it is recommended that the first two laps be cut with the discharge thrown towards the center. After the first two laps, reverse the direction to throw the discharge to the outside for the balance of cutting. This will give a better appearance to the lawn.
- Slowly and evenly push the RH and LH lapbar drive control levers forward to move the tractor forward, and keep the tractor headed directly toward the alignment point.

Note: The speed of the tractor will affect the quality of the mower cut. Mowing at full speed will adversely affect the cut quality. Control the ground speed with the lapbar drive control levers.

- Your tractor is designed to cut normal residential grass of a height no more than 10" (25cm). Do not attempt to mow through unusually tall, dry grass (e.g., pasture) or piles of dry leaves. Dry grass or leaves may contact the engine exhaust and/or build up on the tractor.
- Do NOT attempt to mow heavy brush and weeds or extremely tall grass. Your tractor is designed to mow lawns, NOT clear brush.
- Keep the blades sharp and replace the blades when worn.
- When approaching the other end of the strip, slow down or stop before turning. A U-turn is recommended unless a pivot or zero turn is required.
- Align the mower with an edge of the mowed strip and overlap approximately 3" (7.6 cm).
- Direct the tractor on each subsequent strip to align with a previously cut strip.
- To prevent rutting or grooving of the turf, if possible, change the direction that the strips are mowed by approximately 45° for the next and each subsequent mowing.

When stopping the tractor for any reason while on a grass surface, always:

- Move the RH and LH lapbar drive control levers fully outward into the Park Brake engaged position.
- Shut engine off and remove the key.

- Doing so will minimize the possibility of having your lawn "browned" by hot exhaust from your tractor's running engine.

SERVICE AND MAINTENANCE

MAINTENANCE SCHEDULE

WARNING

Before performing any type of maintenance/service, disengage all controls and stop the engine. Wait until all moving parts have come to a complete stop. Disconnect spark plug wire and ground it against the engine to prevent unintended starting. Always wear safety glasses during operation or while performing any adjustments or repairs.

Follow the maintenance schedule given below. This chart describes service guidelines only. Use the Service Log column to keep track of completed maintenance tasks.

Refer to the Engine Operator's Manual for engine maintenance items listed in the table below.

	Before Each use	After First 5 Hours	Every 10 Hours	Every 25 Hours	Every 50 Hours	Every 100 Hours	Every 200 Hours	Prior to Storing	See Engine Manual
Check/Clean Engine Intake Screens & Cooling Fans #	✓							✓	
Check/Clean Exhaust Manifold, Muffler Pipe & Muffler Shields #	✓							✓	
Check/Clean Top & Underside of Deck, Under and Around Spindle Covers & Belt Area #	✓							✓	
Check/Clean Around Fuses, Wiring and Wiring Harnesses #	✓							✓	
Check/Clean Around Transmission, Axle and Fans #	✓							✓	
Check/Add/Change Transmission Fluid as needed							✓		
Check Air Filter for Dirty, Loose or Damaged Parts	✓								
Check Engine Oil Level	✓								
Clean Battery Terminals			✓					✓	
Grease All Lubrication Points			✓					✓	
Check Engine Intake Screen/Clean as Needed			✓					✓	
Check Blades/Sharpen or Replace as Needed			✓					✓	
Check Tire Pressure			✓					✓	
Check/Clean Underside of Deck			✓						
Check Safety Interlock System			✓					✓	
Check Mower Blade Stop Time			✓					✓	
Inspect & Lube Deck Wheels				✓				✓	
Check Deck Level/Pitch				✓				✓	
Check Belts & Pulleys for Damage/Wear					✓				
Check That All Hardware is in Place & Secure						✓			
Check Engine Mounting Bolt Torque (Tighten to 325-450 in.-lbs. (37-50 N-m))		✓			✓			✓	✓
Check Blade Mount Nut Torque (Tighten to 70-90 ft. lbs. (95-122 N-m))		✓			✓			✓	
Check Spark Plug Condition & Gap						✓		✓	✓
Engine Break-In Oil Change		✓							✓
Change Engine Oil					✓			✓	✓
Check Fuel System (Lines, Tank, Cap, Fittings)		✓			✓			✓	✓
Check Spark Arrestor		✓			✓			✓	✓
Replace Oil Filter					✓			✓	✓
Clean or Change Air Filter					✓				✓
Replace Fuel Filter					✓				✓
Have Valve Lash Checked & Adjusted *									✓

* -- Have this item performed by an authorized service dealer

-- Perform more often in dry conditions and/or when mulching

SERVICE AND MAINTENANCE

Note: This Operator's Manual covers several models. Tractor features may vary by model. Not all features in this manual are applicable to all tractor models and the tractor depicted may differ from yours.

Post-Operation Tractor Care

After each operation of the tractor, to ensure safe operating conditions refer to Maintenance Schedule chart in this manual for proper tractor care.

⚠ WARNING

Failure to follow these recommendations may result in serious injury to yourself or others and may cause damage to the tractor.

Cleaning the Underside of the Deck

Deck Wash System

Your tractor's deck is equipped with a water port on its surface as part of its deck wash system.

Use the deck wash system to rinse grass clippings from the deck's underside and prevent the buildup of corrosive chemicals. Complete the following steps AFTER EACH MOWING:

1. Attach the nozzle adapter to a standard garden hose connected to a water supply.
2. Move the tractor to an area within reach of the hose where the dispersal of wet grass clippings is acceptable. Disengage the PTO, engage the parking brake and stop the engine.
3. Pull back the lock collar (a) of the nozzle adapter (b) and push the nozzle adapter onto the deck wash nozzle (c). Release the lock collar to lock the nozzle adapter on the deck wash nozzle. See Figure 27.
4. Turn on the water supply.
5. From the tractor operator's seat, start the engine and engage the PTO. Allow to run as needed. Disengage the PTO and stop the engine.
6. Turn off the water supply.
7. Pull back the lock collar of the nozzle adapter to disconnect the nozzle adapter from the deck wash nozzle.

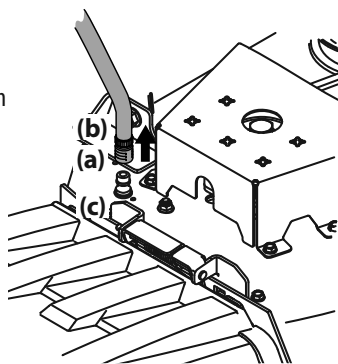


Figure 27

Cleaning the Tractor

⚠ WARNING

If the tractor has been recently run, the engine, muffler and surrounding metal surfaces will be very hot and can cause burns to the skin. Let the engine cool for at least five minutes. Exercise caution to avoid burns.

Your tractor should be cleaned after each use and under certain conditions, i.e. dry conditions and/or mulching situations, additional cleaning may be necessary.

One of the best ways to keep your tractor running efficiently and to reduce fire risk is to regularly remove debris buildup from the tractor. Follow the recommendations below and contact your authorized dealer with any questions.

- Allow the machine to cool for at least five minutes in an open area before cleaning.

Note: Using a pressure washer or garden hose is not recommended for cleaning your tractor other than to clean the underside of the deck. It may cause damage to electrical components, spindles, pulleys, bearings or the engine. The use of water will result in shortened life and reduce serviceability.

- Keep both sides of transmission cooling slots, exhaust manifold, around fuses, all wiring and harnesses, muffler pipe, muffler shield, engine intake screens and cooling fins, etc clear of grass clippings and leaves. See Figure 28.

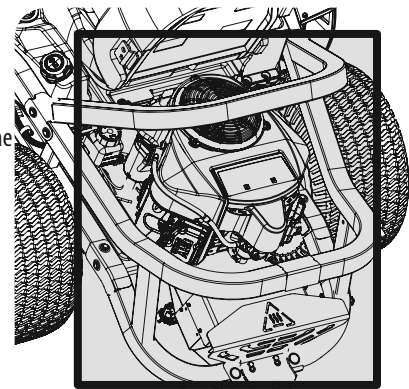


Figure 28

- Clean the top of the mower deck, under the spindle covers and belt area. See Figure 29.

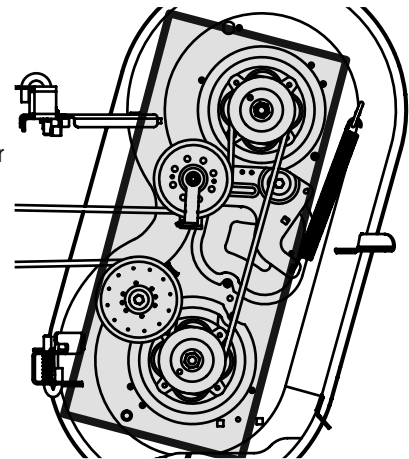
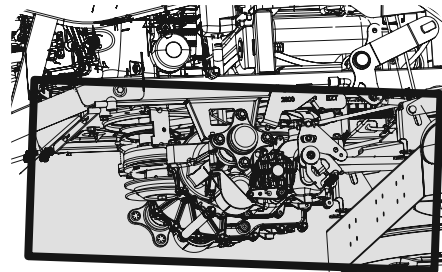


Figure 29

- Clean around and near the transmission, axle and the fan area. See 30.
- Debris can accumulate anywhere on the tractor, especially on horizontal surfaces. Additional cleaning may be necessary when mowing in dry conditions or when mulching.



Wheel Not Shown For Clarity

Figure 30

- Fuel leaks/spills, oil leaks/spills and excess lubrication can also become collections sites for debris. Immediate repair and cleaning up oil or fuel spills can help reduce fire hazards.
- In addition to cleaning the tractor before operating and storing, do not attempt to mow unusually tall grass (10" (25.4 cm) or higher), dry grass (e.g., pasture) or piles of dry leaves. Dry grass or leaves may contact the engine exhaust and/or build up on the mower deck presenting a potential fire hazard.

SERVICE AND MAINTENANCE

Storing the Tractor

- Allow the machine to cool in an open area for at least five minutes before storing.
- Do not park the tractor near any flammable materials (wood, cloth or chemicals) or any open flames or other potential source of ignition (furnace, water heater or any other type of heater).
- Remove all combustible materials from the tractor before storing. Empty cargo boxes, grass catchers or containers.
- Always shut off fuel flow when storing or transporting if tractor is equipped with a fuel shutoff.
- Check the fuel system (lines, tank, cap and fittings) per the maintenance schedule for cracks or leaks. Repair and clean as necessary.

Maintenance

Removing the Floor Panel (If equipped)

⚠ WARNING

Do not operate tractor with floor panel removed.

On some models, the floor panel can be removed for maintenance, service and cleaning. To remove the floor panel:

1. Using the multi-tool (if equipped) or a 1/2" socket, remove the hex screw (a) that secures the floor panel in place. See 1 in Figure 31.1.
2. Carefully lift the rear of the floor panel. See 2 in Figure 31.
3. Slide the floor panel rearward to free the front of the floor panel. See 3 in Figure 31.
4. Lift it off the tractor. See 4 in Figure 31.
5. To place the floor panel back on the tractor, carefully put the floor panel back in place and reinstall the hex screw removed in step 1. 1. Using the multi-tool (if equipped) or a 1/2" socket, remove the hex screw (a) that secures the floor panel in place. See 1 in Figure 31.1. Torque to 108-132 in-lbs (12-15 N-m).

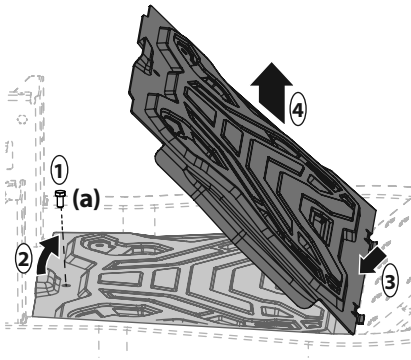


Figure 31

Engine

⚠ WARNING

Allow machine to cool in an open area for at least five minutes before storing or refueling.

Refer to the Engine Operator's Manual for all engine maintenance procedures and instructions.

Note: Maintenance, repair, or replacement of the emission control devices and systems which are being done at owner's expense may be performed by any engine repair establishment or individual. Warranty repairs must be performed by an authorized dealer.

Changing the Engine Oil

⚠ WARNING

If the tractor has been recently run, the engine, muffler and surrounding metal surfaces will be very hot and can cause burns to the skin. Let the engine cool for at least five minutes. Exercise caution to avoid burns.

Note: The oil filter should be changed at every oil change interval.

To complete an oil change, proceed as follows:

1. Locate the oil drain hose (a) on the side of the engine.
2. Place an appropriate oil collection container with at least a 2.5 quart (2.37 liter) capacity below the opening of the oil drain hose, to collect the used oil. Remove the oil fill cap/dipstick (b) from the oil fill tube.
3. While holding the free end of the oil drain hose over the oil collection container, unscrew the square head hose plug (c) from the end of the oil drain hose. See Figure 32. Drain the engine oil into the collection container.
4. After draining the oil, wipe any residual oil from the oil drain hose. Thread the square head hose plug into the oil drain hose fitting and tighten the square head hose plug to 16 ft.-lbs. (22 N-m).
5. Remove the oil filter (d) and drain into the collection container.
6. Replace the oil filter (d), and refill the engine with new oil as instructed in the Engine Operator's Manual.

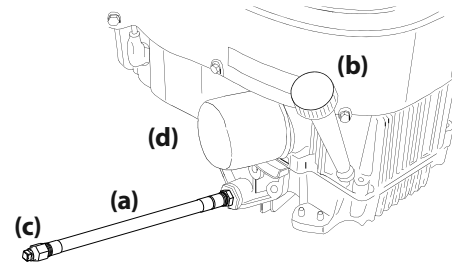


Figure 32

Note: Place an absorbent towel beneath the oil filter to keep oil off the clutch.

Note: Observe proper disposal laws and regulations for gas, oil, etc. to protect the environment.

Note: Maintenance, repair, or replacement of the emission control devices and systems which are being done at owner's expense may be performed by any engine repair establishment or individual. Warranty repairs must be performed by an authorized dealer.

Lubrication

⚠ WARNING

Before lubricating, repairing, or inspecting, always disengage PTO, set parking brake, stop engine and remove key to prevent unintended starting.

- Using a quality lubricating oil, lubricate all lubrication points. Refer to maintenance schedule chart located in this manual for proper service intervals.

Spark Arrestor Maintenance (If Equipped)

Spark arrestor assemblies must be inspected and cleaned periodically (see the service interval chart in this manual). Visually inspect the screen for tears, broken wires or loose welds. Replace the spark arrestor assembly if any of these conditions exist. If the screen is in good condition, clean the screen by brushing away loose dirt or carbon particles.

Tires

Keep the tires inflated to the recommended pressures. Improper inflation will shorten the tire service life. See the tire side wall for proper inflation pressures. Refer to maintenance schedule chart located in this manual for proper service intervals.

Observe the following guidelines:

- Do not inflate a tire above the maximum pressure shown on the sidewall of the tire.
- Do not reinflate a tire that has been run flat or seriously under inflated. Have it inspected and serviced by a qualified tire mechanic.

SERVICE AND MAINTENANCE

Hydrostatic Transmission

Your zero turn tractor is equipped with two hydrostatic pumps/transaxles. Some models are equipped with a transmission oil expansion reservoir. Under normal operating conditions, the oil level in the expansion reservoirs does not need to be checked and no additional oil is needed.

Checking & Adding Transmission Oil

⚠ WARNING

Check the oil level **ONLY** before starting the tractor when the transmission oil is fully cooled.

1. Clean the reservoir cap and the area around the cap to prevent debris from contaminating the transmission oil. See Figure 33.
2. Turn the reservoir cap counter-clockwise to remove, then check the oil level in the reservoir. Oil should be visible at the bottom of the cup, but the oil level must NOT be above the "FULL COLD" line. See Figure 33. **DO NOT FILL THE RESERVOIR.**
3. If necessary to add oil because of some type of leakage, use a quality 20W50 motor oil and add only enough oil to bring the level to the "FULL COLD" line. Reinstall the cap and fully tighten.

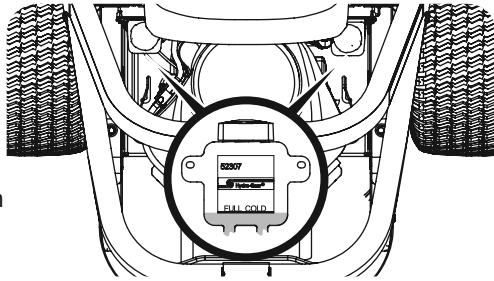


Figure 33

Note: Prior to the initial operation of the tractor, the oil level in the reservoir may be slightly higher than the maximum due to air in the oil lines. Operation of the tractor will eventually purge the air from the lines and the oil level will settle to the maximum.

4. Repeat the process for the other transmission.

Changing the Transmission Oil & Filter (If Equipped)

Note: Refer to maintenance schedule chart located in this manual for proper service intervals.

To change the transmission oil:

1. Remove the cap from the transmission oil expansion reservoir. See Figure 33.
2. Remove the three filter guard screws (a) and the filter guard (b). Clean any loose debris from around the filter (c). See Figure 34.
3. Place an oil drain pan with an eight quart (7.6 liter) capacity below the filter.
4. Remove the filter.
5. When the oil finishes draining, wipe the filter base and apply a thin coat of fresh oil on the filter base.
6. Re-install the filter guard.
7. Remove the top port plug (d) from the transaxles to allow the transaxles to vent during filling. See Figure 34.
8. Using a high-quality 20W50 motor oil, slowly fill the transaxles until oil appears at the top port on the transaxles.

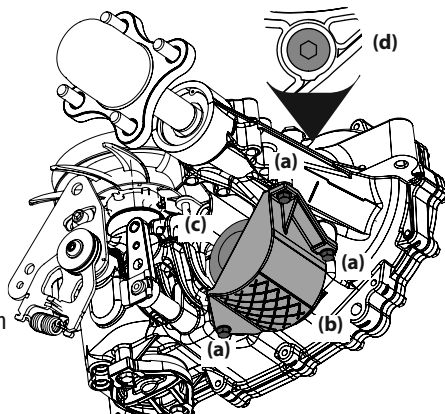


Figure 34

9. Re-install the top port plugs. Torque to 180 in-lbs (20.3 N-m), and continue to fill until the "FULL COLD" line is reached.
10. Replace the reservoir cap and fully tighten.
11. Repeat the process for the other transmission.
12. When replacing the transmission oil, a "purging" procedure should be performed to remove air from the system. The procedure should be performed with the rear wheels off the ground or in an area free of bystanders or objects. To perform the purging procedure:
 - a. Disengage the brake and open the bypass valve and start the tractor.
 - b. Move the tractor in forward and reverse 5-6 times.
 - c. Check the oil level and add as necessary.
 - d. Repeat steps a-c until the transaxles operate at normal noise levels and normal speeds.

Off-Season Storage

If your tractor is not going to be operated for an extended period of time (thirty days or more), the tractor should be prepared for storage. Store the tractor in a dry and protected location. If stored outside, cover the tractor (including the tires) to protect it from the elements. The procedures outlined below should be performed whenever the tractor is placed in storage.

1. Change the engine oil and filter following the instructions provided in this manual as well as the engine manual packed with this tractor.

⚠ WARNING

Never store the tractor with fuel in the tank indoors or in poorly ventilated enclosures, where fuel fumes may reach an open flame, spark or pilot light as on a furnace, water heater, clothes dryer, etc.

2. If storing the tractor for 30 days or more:
 - a. To prevent gum deposits from forming inside the engine's carburetor and causing possible malfunction of the engine, the fuel system must be either completely emptied, or the gasoline must be treated with a stabilizer to prevent deterioration.
 - b. Using a fuel stabilizer for storage between 30 and 90 days:
 - Read the product manufacturer's instructions and recommendations.
 - Add to clean, fresh gasoline the correct amount of stabilizer for the capacity (approximately 3 gallons) of the fuel system.
 - Fill the fuel tank with treated fuel and run the engine for 2-3 minutes to get stabilized fuel into the carburetor.
 - Fuel left in the fuel tank deteriorates and will cause serious starting problems.
 - c. Emptying the fuel system for storage of more than 90 days:
 - Prior to putting the tractor in storage, monitor fuel consumption with the goal of running the fuel tank empty.
 - Run the engine until it begins to stall. Use the choke to keep the engine running until all fuel in the carburetor has been exhausted.
 - Referring to the engine manual, drain the fuel from the carburetor bowl.
3. Clean the engine and the entire tractor thoroughly.

Note: Using a pressure washer or garden hose is not recommended for cleaning your tractor other than to clean the underside of the deck. It may cause damage to electrical components, spindles, pulleys, bearings or the engine. The use of water will result in shortened life and reduce serviceability.
4. Fully charge the battery, then disconnect the negative cable at the battery to prevent possible discharge. Recharge the battery periodically when in storage.

Note: Remove the battery if exposed to prolonged periods of sub-freezing temperatures. Store in a cool, dry location where temperatures are above freezing.
5. Lubricate all lubrication points.

SERVICE AND MAINTENANCE

Removing The Tractor From Storage

1. Check the engine oil.
2. Fully charge the battery and inflate the tires to the recommended pressure. See tire side wall for proper tire inflation pressure.
3. Fill the fuel tank with clean, fresh gasoline.
4. Start the engine and allow to idle for a few minutes to ensure engine is operating properly.
5. Drive the tractor without a load to make certain all the tractor systems are functioning properly.

Adjustments

Deck Leveling

If the cutting deck appears to be mowing unevenly, leveling adjustments can be performed.

⚠ WARNING

If the tractor has been recently run, the engine, muffler and surrounding metal surfaces will be very hot and can cause burns to the skin. Let the engine cool for at least five minutes. Exercise caution to avoid burns.

Leveling the Deck (Side-to-Side)

1. Place the deck lift handle or deck lift knob in a middle mowing position and rotate both outside blades so that they are perpendicular with the tractor.
 2. Measure the distance from the outside of the left blade tip to the ground and the distance from the outside of the right blade tip to the ground. Both measurements taken should be equal. If they're not, proceed to the next step.
 3. Locate the adjustment bolts (a) on the left and right side of the deck. See 3. Locate the adjustment bolts (a) on the left and right side of the deck. See 3. Locate the adjustment bolts (a) on the left and right side of the deck. See Figure 35.5.
 4. Loosen, but do not remove, the jam nuts (b) on the adjustment bolt. Adjust either the right or left adjustment bolt up or down as necessary until the side-to-side heights are equal. See 3. Locate the adjustment bolts (a) on the left and right side of the deck. See 3. Locate the adjustment bolts (a) on the left and right side of the deck. See Figure 35.
- Note:** Continue to check the front-to-back leveling as you make the side-to-side adjustment as the side-to-side adjustment can affect the front-to-back level. If necessary, adjust front-to-back as instructed previously.
5. When proper adjustment is achieved, re-tighten the jam nuts (b). Tighten to 57 ft-lbs (77.3 N-m).

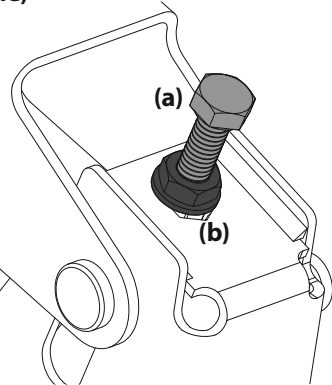


Figure 35

Leveling the Deck (Pitch/Front-to-Rear)

The front of the deck should be between $\frac{1}{16}$ - $\frac{1}{4}$ " (2-6 mm) lower than the rear of the deck. Adjust if necessary as follows:

1. Park the tractor on a firm, level surface and place the deck lift handle or deck lift knob in a middle position.
2. Rotate the blade nearest the discharge chute so that it is parallel with the tractor.
3. Measure the distance from the front of the blade tip to the ground and the rear of the blade tip to the ground. The first measurement taken should be between $\frac{1}{16}$ - $\frac{1}{4}$ " (2-6 mm) less than the second measurement.

4. Determine the approximate distance necessary for proper adjustment and proceed, if necessary.
5. To raise the front of the deck, remove the end cap, loosen the outer jam nut (a) then tighten (thread inward) the inner nut (b) against the front hanger bracket. See Figure 36. When proper adjustment is achieved, re-tighten the outer jam nut (a) and replace the end cap.
6. To lower the front of the deck, remove the end cap, loosen the outer jam nut (a) then loosen (thread outward) the inner nut (b), away from the front hanger bracket. See Figure 36. When proper adjustment is achieved, re-tighten the outer jam nut (a) to 57 ft-lbs. (77.28 N-m) and replace the end cap.

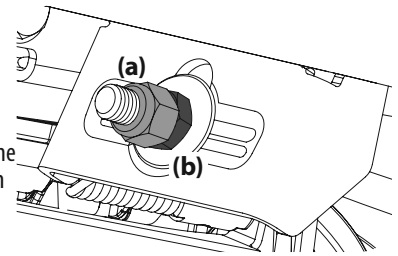


Figure 36

Adjusting the Deck Wheels

⚠ WARNING

Keep hands and feet away from the discharge opening of the cutting deck.

Note: The deck wheels are an anti-scalp feature of the deck and are not designed to support the weight of the cutting deck. The deck wheels should be approximately $\frac{1}{4}$ - $\frac{1}{2}$ " (6.35-12.7 mm) above the ground when the deck is set in the desired height setting. To adjust the deck wheels see the Assembly & Set-Up section for instructions.

Lapbar Drive Control Lever Stop Adjustment

When the lapbar drive control levers are both fully extended forward to the full-speed position and the tractor drifts left or right, the lapbar drive control lever stop adjustment can be adjusted to sync the wheel speeds. To perform the adjustment, proceed as follows:

1. Identify the side that the tractor is drifting to and adjust the opposite lapbar drive control lever. If the tractor drifts right, adjust the left lapbar drive control lever down (decrease speed) and vice versa.
2. Locate the lapbar drive control lever stop adjustment bolts (a) on the front of the seat frame. See 2. Locate the lapbar drive control lever stop adjustment bolts (a) on the front of the seat frame. See Figure 37.

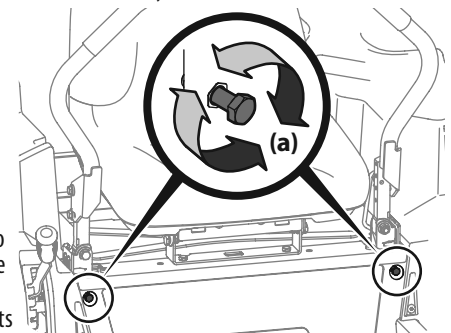


Figure 37

- Note:** The multi-tool (if equipped) can be used to make this adjustment.
3. To decrease the forward speed, turn the lapbar drive control lever stop adjustment bolts (a) clockwise. To increase the forward speed, turn the lapbar drive control lever stop adjustment bolts (a) counter-clockwise. Turn the lapbar drive control lever stop adjustment bolts (a) in the necessary direction $\frac{1}{4}$ -turn at a time. After turning the lapbar drive control lever stop adjustment bolts (a), check the adjustment by driving the tractor.
 4. Continue the adjustment until the wheel speeds are in sync and the tractor drives straight with the drive control levers fully extended forward in the full-speed position.
- Note:** Make sure the bolts extend through the nuts on the frame to engage the locking feature.

SERVICE AND MAINTENANCE

Service

Electrical System

A fuse is installed to protect the tractor's electrical system from damage caused by excessive amperage. Always use the same capacity fuse for replacement. If the electrical system does not function, check for a blown fuse.

If you have a recurring problem with blown fuses, have the tractor's electrical system checked by your authorized service dealer.

Relays and Switches

There are several safety switches in the electrical system. If a function of the safety interlock system described earlier is not functioning properly, have the electrical system checked by your authorized service dealer.

Parking Brake Adjustment

If the tractor does not come to a complete stop when the control levers are moved fully outward engaging the parking brake, or if the tractor's rear wheels can roll with the parking brake engaged (and the hydrostatic relief valve open), the brake is in need of adjustment. See your authorized service dealer to have the brake adjusted.

Deck Removal

Remove the tractor deck from the tractor as follows:

1. Move the tractor to a level surface, disengage the PTO, stop the engine, place the RH and LH drive control levers fully outward into the park brake engaged position.
2. There are two methods for removing the belt, to remove the belt by releasing belt tension go on to step 3, to remove the belt by rolling the belt off the PTO pulley skip ahead to step 4.

⚠ WARNING

Use caution to avoid pinching your fingers when rolling the belt off the PTO pulley.

3. Releasing belt tension with the idler pulley:
 - a. Using the deck lift handle or the deck lift pedal and knob, raise the deck to the position that provides the most horizontal run of the belt between the deck idler pulleys and the PTO pulley on the bottom of the engine.
 - b. Working from the middle of the tractor, pivot the idler bracket (a) and movable idler pulley (b) rearward just far enough to lift the belt up and over the spindle pulley. See Figure 38.
4. Rolling the belt off the PTO pulley:
 - a. Raise the deck to the position that provides the most horizontal run of the belt between the deck idler pulleys and the PTO pulley on the bottom of the engine.

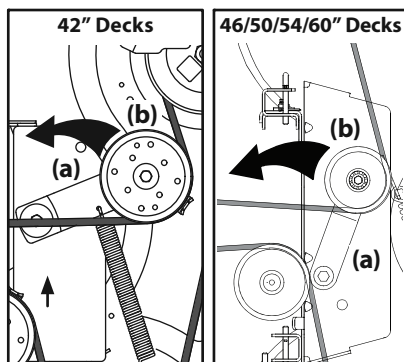


Figure 38

- b. Sitting behind the tractor facing forward, reach beneath the tractor to grasp the belt at the front of the PTO pulley.
- c. Pull the left side of the belt rearward and downward while manually turning the PTO pulley to the right until the belt rides out onto the edge of the lower sheave of the pulley.

Note: If pulling the right side of the belt, turn the pulley left.

- d. While still holding the PTO belt (a) downward, continue turning the PTO pulley (b) until the PTO belt (a) is rolled off the PTO pulley (b). Refer to Figure 39.
- e. Lower the deck into the lowest mowing position.
- f. Move on to step 5.

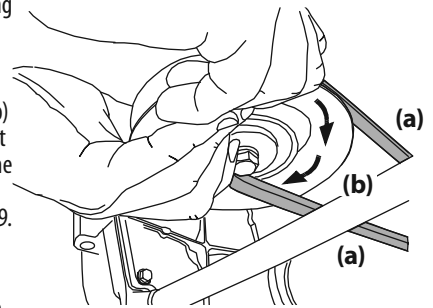


Figure 39

⚠ WARNING

The deck lift on tractors with the deck lift knob is spring-assisted and under tension. Injury can occur if spring-assisted deck lift is released suddenly. Always use the multi-tool to secure the deck lift in place.

5. On tractors equipped with the deck lift knob, use the deck lift pedal and deck lift knob to place the deck in the lowest position and use the multi-tool (a) to lock the deck lift components in place as shown in Figure 40. On tractors with a deck lift handle, lower the deck into the lowest position.

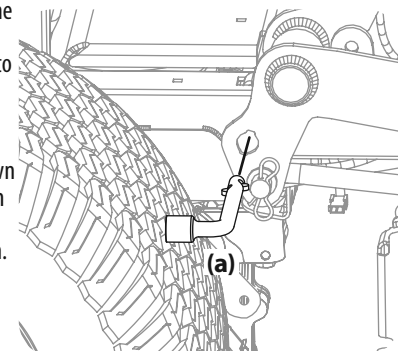


Figure 40

- a. Remove the two bow-tie pins (a) from the clevis pins (b) that secure the lift link brackets (c) to the rear deck lift brackets (d) on the deck. Remove the clevis pins (b). See Figure 41.

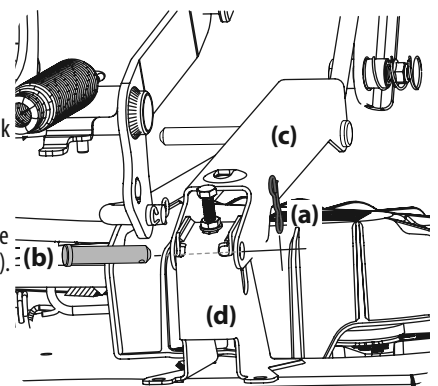


Figure 41

SERVICE AND MAINTENANCE

- b. Remove the third bow-tie pin (a) from the clevis pin (b) that secures the front deck control rod (c) to the front deck lift bracket (d). Remove the clevis pin (b). See Figure 42.
- c. Carefully maneuver the deck out from beneath the tractor.

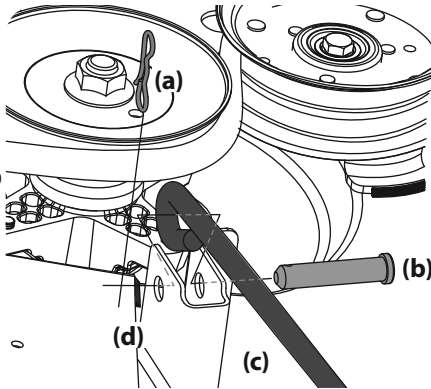


Figure 42

Deck Installation

Install the deck on the tractor as follows:

1. Carefully maneuver the the deck under the tractor from the right side, lining up the deck hanger brackets and the deck lift arms on deck lift rod/deck release pin tractors and align the lift link brackets and front deck control rod with the deck lift brackets on three-pin tractors.
2. Once the deck is under the tractor, move the deck to the lowest mowing position.

Note: To line the brackets up properly, it may be necessary to place a small block of wood under each side of the deck.
3. Re-install the applicable hardware for your tractor.
4. Make certain the "V" belt is in the spindle pulleys on the deck; then route the belt rearward beneath the tractor frame, above the transmission tube(s), to the PTO pulley on the bottom of the engine.
5. Raise the deck to the position that provides the most horizontal run of the belt between the deck idler pulleys and the PTO pulley on the bottom of the engine.
6. Make certain the belt is in the spindle pulleys of the deck, and that the backside of the belt is against both the fixed and movable idler pulleys.
7. Sitting behind the tractor, facing forward, make certain the belt is not twisted; then reach beneath the tractor to grasp the belt and pull it toward the PTO pulley.

⚠ WARNING

Use caution to avoid pinching your fingers when rolling the belt onto the PTO pulley.

8. Pull the right side of the PTO belt rearward and place the narrow V-side of the PTO belt into the PTO pulley. See Figure 39.
9. While holding the PTO belt and PTO pulley together, rotate the PTO pulley to the left (See Figure 39). Continue holding and rotating the PTO pulley and PTO belt until the PTO belt is fully rolled into the PTO pulley.

Note: Before using the tractor double-check the belt routing to make sure that the belt has been routed properly.

Replacing the Belt

1. Remove the deck from beneath the tractor, (refer to Deck Removal).
2. Loosen, but do not remove the hardware on the right (a) and left idler pulley (b). Refer to Figure 43 for 42" decks, Figure 44 for 46" decks and Figure 45 for 50", 54" and 60" decks.

Note: Take note of the position of the belt guards (c) to ensure they are properly re-installed.

Note: On some decks it may be necessary to remove the spindle covers to remove and/or install the new belt. To remove the spindle covers, remove the screws securing them to the deck.

3. Carefully remove the belt from around the idler pulleys (a & b) and the spindle pulleys (d).
4. Install the new belt pulleys as shown and reinstall the belt covers.
5. Place the belt around the idler pulleys removed in step 3 with the "V" side facing in. Once in place, reinstall all the hardware and tighten the flange lock nut to secure the assembly.
6. Route the belt as shown and then reinstall the deck (refer to Deck Installation)

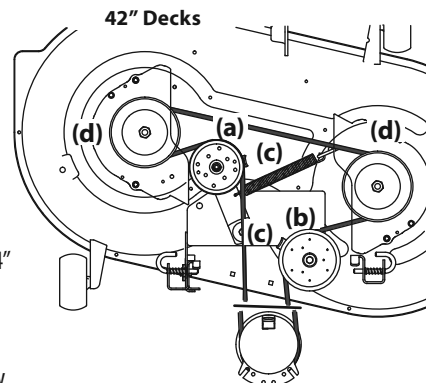


Figure 43

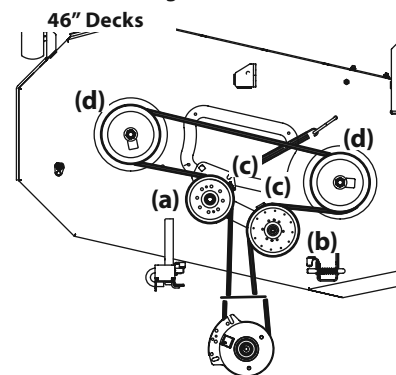


Figure 44

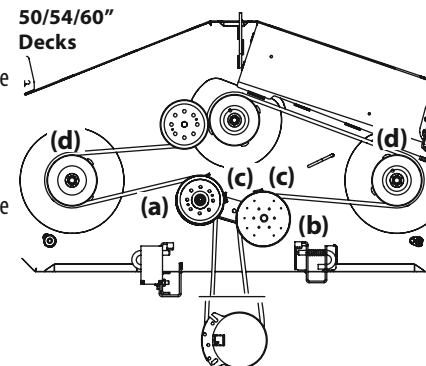


Figure 45

SERVICE AND MAINTENANCE

Tractor Blade Care

WARNING

Before performing any maintenance, disengage the PTO and move the lapbar drive control levers fully outward into the Park Brake engaged position. If leaving the tractor unattended, turn the ignition key to the STOP position and remove key. Protect your hands by using heavy gloves when handling the blades. When servicing the tractor deck, be careful not to cut yourself on the sharpened blades.

The cutting blades must be kept sharp at all times. Sharpen the cutting edges of the blades evenly so that the blades remain balanced and the same angle of sharpness is maintained.

If the cutting edge of a blade has already been sharpened many times, or if any metal separation is present, it is recommended that new blades be installed. New blades are available at your authorized dealer.

The blades may be removed as follows.

1. Remove the deck from beneath the tractor, (refer to Deck Removal) then gently flip the deck over to expose its underside.
2. Use a $1\frac{5}{16}$ " wrench to hold the hex nut on top of the spindle assembly when loosening the hex nut (a) securing the blade (b). A block of wood (c) may be placed between the deck housing and the cutting edge of the blade (b) to help in breaking loose the hex nut (a) securing the blade. See Figure 46.
3. When reinstalling the blades, be sure they are installed so that the wings are pointing upward toward the top of the deck.
4. Tighten the hex nuts (a) to 70-90 ft. lbs. (95-122 N-m).
5. Reinstall the deck (refer to Deck Installation).

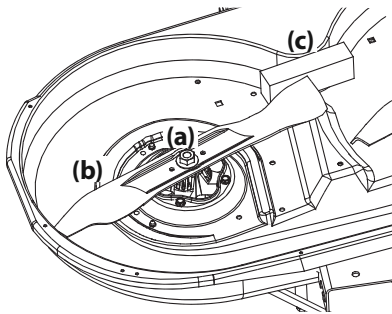


Figure 46

Changing the Transmission Drive Belt

Several components must be removed and special tools used in order to change the tractor's transmission drive belt. See your authorized service dealer to have the transmission drive belt replaced.

Tractor Creeping

Creeping is the slight forward or backward movement of the tractor when the throttle is on and the speed control levers are in the neutral position. If your tractor creeps, see an authorized service dealer.

TROUBLESHOOTING

WARNING

Before performing any type of maintenance/service, disengage all controls and stop the engine. Wait until all moving parts have come to a complete stop. Disconnect spark plug wire and ground it against the engine to prevent unintended starting. Always wear safety glasses during operation or while performing any adjustments or repairs.

This section addresses minor service issues. To locate the nearest authorized service center consult the separate supplement sheet for contact information.

Problem	Cause	Remedy
Engine Fails to start	<ol style="list-style-type: none"> 1. PTO/Blade Engage knob engaged. 2. Parking brake not engaged. 3. Spark plug wire disconnected. 4. Throttle control lever not in correct starting position. 5. Fuel tank empty, or stale fuel. 6. Blocked fuel line or fuel filter. 7. Faulty spark plug. 8. Engine flooded. 9. Fuse(s) blown. 	<ol style="list-style-type: none"> 1. Place knob in disengaged (OFF) position. 2. Engage parking brake. 3. Connect wire to spark plug. 4. Place Throttle lever to FAST position. 5. Fill tank with clean, fresh (less than 30 days old) gas. 6. Replace fuel line. See a Sears or other qualified service dealer. Replace fuel filter. See the Service and Maintenance section. 7. Clean, adjust gap or replace plug. 8. Crank engine with throttle in FAST position. 9. Replace fuse.
Engine runs erratically	<ol style="list-style-type: none"> 1. Riding mower running with Choke activated. 2. Spark plug wire loose. 3. Blocked fuel line or stale fuel. 4. Vent in gas cap plugged. 5. Water or dirt in fuel system. 6. Dirty air cleaner. 	<ol style="list-style-type: none"> 1. Check that the electric choke is working. See a Sears or other qualified service dealer. 2. Connect and tighten spark plug wire. 3. Replace fuel line. See a Sears or other qualified service dealer. Fill tank with clean, fresh gasoline and replace fuel filter. See the Service and Maintenance section. 4. Clear vent or replace cap if damaged. 5. Drain fuel tank. Refill with clean, fresh gasoline. See the Service and Maintenance section. 6. Clean or replace air cleaner paper element or clean foam pre-cleaner.
Engine overheats	<ol style="list-style-type: none"> 1. Engine oil level low 2. Air flow restricted 	<ol style="list-style-type: none"> 1. Fill engine with proper amount and type of oil. 2. Clean grass clippings and debris from around the engine's cooling fins and blower housing.
Engine hesitates at high RPMs	<ol style="list-style-type: none"> 1. Spark plug gap set too close 	<ol style="list-style-type: none"> 1. Remove spark plug and adjust gap.
Engine idles poorly	<ol style="list-style-type: none"> 1. Fouled spark plug 2. Dirty air cleaner 	<ol style="list-style-type: none"> 1. Replace spark plug and adjust gap. 2. Clean or replace air cleaner element and/or clean pre-cleaner.
Excessive vibration	<ol style="list-style-type: none"> 1. Cutting blades loose or unbalanced 2. Damaged, dull, or bent cutting blade 	<ol style="list-style-type: none"> 1. Tighten blade and spindle. Balance blade. 2. Replace blade.
Uneven cut	<ol style="list-style-type: none"> 1. Deck not leveled properly. 2. Dull blade. 3. Uneven tire pressure. 	<ol style="list-style-type: none"> 1. Perform side-to-side deck adjustment. 2. Sharpen or replace blade. 3. Check tire pressure in all four tires.

MANUAL DEL OPERADOR

Tractor de radio de giro cero Palancas de control de la transmisión de la barra de seguridad ("lapbar")

Registro de información de producto

Antes de configurar y hacer funcionar su equipo nuevo, por favor localice la placa de modelo en el equipo y registre la información en el espacio de la derecha. Para encontrar la placa de modelo, eleve el asiento y mire en la parte inferior de la bandeja del asiento. Si tiene que solicitar soporte técnico a través de nuestro sitio web o de un distribuidor de servicio local autorizado, necesitará esta información.

NÚMERO DE MODELO

--	--	--	--	--	--	--	--	--	--	--	--

NÚMERO DE SERIE

--	--	--	--	--	--	--	--	--	--	--	--

Índice

<i>Medidas importantes de seguridad</i>	2	<i>Solución de Problemas</i>	24
<i>Montaje</i>	7	<i>Piezas/Garantía</i>	<i>Consulte el suplemento que se adjunta por separado</i>
<i>Funcionamiento</i>	9		
<i>Servicio y Mantenimiento</i>	16		

▲ ADVERTENCIA

Lea y cumpla todas las normas de seguridad y las instrucciones de este manual antes de intentar operar esta máquina. Si no sigue estas instrucciones, se pueden provocar lesiones personales.

▲ ADVERTENCIA

Proposición 65 de California

El escape del motor de este producto, algunos de sus componentes y algunos componentes del vehículo contienen o liberan sustancias químicas que el Estado de California considera que pueden producir cáncer, defectos de nacimiento u otros problemas reproductivos.

Los bornes y contactos de la batería, y los accesorios afines contienen plomo y compuestos de plomo, sustancias químicas que el Estado de California considera que pueden producir cáncer y daños en el sistema reproductivo. Lávese las manos después de estar en contacto con estos componentes.

NOTA: Este manual de operación, corresponde a varios modelos. Las características pueden variar según los modelos. No todas las características que se incluyen en este manual se aplican a todos los modelos y el modelo que se ilustra aquí puede diferir del suyo.

PRÁCTICAS DE OPERACIÓN SEGURAS

▲ ADVERTENCIA

▲ Este símbolo indica instrucciones de seguridad importantes que, de no seguirse, podrían poner en peligro la seguridad personal y/o la propiedad suya y de terceros. Lea y cumpla todas las instrucciones de este manual antes de intentar hacer funcionar esta máquina. Si no sigue estas instrucciones, se pueden provocar lesiones personales. Cuando vea este símbolo. **¡TENGA EN CUENTA LA ADVERTENCIA!**

▲ PELIGRO

Esta máquina está diseñada para ser utilizada respetando las medidas de seguridad contenidas en este manual. Al igual que con cualquier tipo de equipo motorizado, un descuido o error por parte del operador puede producir lesiones graves. Esta máquina es capaz de amputar manos y pies y de arrojar objetos. De no respetar las instrucciones de seguridad siguientes, se pueden ocasionar lesiones graves o la muerte.

Información general

1. Lea, entienda y cumpla todas las instrucciones incluidas en el tractor y en los manuales antes de intentar armar la unidad y utilizarla. Guarde este manual en un lugar seguro para consultas futuras y periódicas, así como para solicitar repuestos.
2. Familiarícese con todos los controles y su correcto funcionamiento. Sepa cómo detener el tractor y desactivar los controles rápidamente.
3. No permita nunca que los niños menores de 14 años utilicen este tractor. Los niños de 14 años en adelante deben leer y entender las instrucciones y las normas de seguridad contenidas en este manual y sobre el tractor, y deben ser entrenados y supervisados por un adulto.
4. Nunca permita que los adultos operen este tractor sin recibir antes la instrucción apropiada.
5. Si se presentan situaciones que no están previstas en este manual, tenga cuidado y use el sentido común. Póngase en contacto con su representante de atención al cliente para obtener ayuda.
6. De conformidad con la Comisión de Seguridad de Productos para el Consumidor de los Estados Unidos (CPSC) y la Agencia de Protección Ambiental de los Estados Unidos (EPA), este producto tiene una vida útil estimada de siete (7) años, en condiciones normales de uso. Al final de su vida útil, se deberá solicitar una inspección del producto anualmente a fin de asegurarse de que todos los sistemas mecánicos y de seguridad funcionen adecuadamente, de manera segura y no estén excesivamente desgastados. Si no lo hace, puede ocasionar accidentes, lesiones o la muerte.
7. .

Preparativos anteriores al uso

1. Revise minuciosamente el área donde se va a usar el tractor. Saque todas las piedras, palos, cables, huesos, juguetes y demás objetos extraños que puedan ser recogidos y arrojados por las cuchilla(s). Los objetos arrojados por la máquina pueden producir lesiones personales graves.
2. A fin de evitar lesiones por el contacto con las cuchillas o por objetos arrojados, mantenga a los asistentes a por los menos 75 pies (23 metros) del tractor mientras está en funcionamiento. Mantenga a los observadores, los niños y las mascotas en interiores durante el funcionamiento. Detenga el tractor si alguien entra en la zona.
3. Esté atento a la dirección de la descarga del tractor y no apunte a nadie.
4. Para protegerse los ojos, utilice siempre anteojos o antiparras de seguridad durante la operación o mientras realiza ajustes o reparaciones. Los objetos arrojados que rebotan pueden producir lesiones graves en los ojos.
5. Utilice zapatos de trabajo resistentes, de suela fuerte, y pantalones y camisas ajustados. Las ropas sueltas, las alhajas y el cabello largo pueden engancharse en las piezas móviles. Nunca haga funcionar este tractor si está descalzo o con sandalias.
6. Nunca llene en exceso el depósito de combustible. Llene el depósito no más de 1/2" (13 mm) por debajo de la base del cuello de llenado, para dejar espacio para la expansión del combustible.
7. Vuelva a colocar la tapa de la gasolina y ajústela bien.
8. Use solo aditamentos o accesorios aprobados para este tractor por el fabricante del tractor. Lea, comprenda y siga todas las instrucciones incluidas con el accesorio o aditamento aprobado.

Funcionamiento

1. Los datos estadísticos muestran que los operadores mayores de 65 años se ven implicados en un alto porcentaje de lesiones relacionadas con tractores. Estos operadores deben evaluar su capacidad para operar el tractor en forma suficientemente segura para protegerse a ellos mismos y a los demás contra lesiones graves.
2. Desactive las cuchillas y mueva las palancas de control de la transmisión completamente hacia afuera para poner el freno de mano antes de intentar arrancar el motor.
3. No ponga las manos ni los pies cerca de las piezas giratorias ni debajo de la plataforma de corte. El contacto con las cuchilla(s) puede amputar manos y pies.
4. Esté atento a los hoyos, surcos, baches, rocas, u otros objetos ocultos. El terreno desnivelado puede hacer que vuelque el tractor. El césped alto puede ocultar obstáculos.
5. Planifique el patrón de corte, para evitar que la descarga de material se realice hacia los caminos, las veredas, los asistentes, etc. Evite descargar material contra una pared u obstrucción, ya que esto podría hacer que el material descargado rebotara contra el operador.
6. Revise la holgura superior antes de conducir debajo de ramas bajas de árboles, cables, cerramientos de puertas, etc., donde el operador puede golpearse o ser tirado del tractor, lo que podría resultar en lesiones graves.
7. Nunca deje el tractor en funcionamiento sin vigilancia. Apague siempre las cuchillas, mueva las palancas de control de la transmisión completamente hacia afuera a la posición de freno de mano, pare el motor y saque la llave antes de bajarse.
8. Desactive las cuchillas, mueva las palancas de control de la transmisión completamente hacia afuera para poner el freno de mano, pare el motor y espere hasta que las cuchillas se detengan por completo antes de extraer el colector de césped, vaciar el césped, desobstruir el canal, extraer el césped o los residuos o realizar cualquier ajuste.
9. Su tractor fue diseñado para cortar césped residencial normal, con una altura no mayor de 10" (25 cm). No intente cortar césped demasiado crecido, seco (por ej., pastura) ni pilas de hojas secas. El césped o las hojas que están secos pueden entrar en contacto con el escape del motor y/o acumularse en la plataforma del tractor presentando un potencial peligro de incendio.
10. Retroceda lentamente. Siempre mire hacia abajo y hacia atrás antes y mientras retrocede para evitar accidentes en retroceso.
11. Nunca lleve pasajeros.
12. Manténgase a por lo menos 10 pies (3 metros) de barrancos, zanjas o terraplenes o del borde del agua. El tractor puede volcarse repentinamente si una de las ruedas pasa el borde de un acantilado o zanja o si se desmorona un borde.
13. Un deflector del canal faltante o dañado puede provocar lesiones por contacto con las cuchillas o por objetos arrojados.
14. No opere el tractor si no está el deflector del canal o el colector de césped completo en su lugar correspondiente.
15. Tenga mucho cuidado con los colectores de césped y otros accesorios. Pueden modificar la estabilidad del tractor. Siga siempre las instrucciones del fabricante del accesorio.
16. Detenga la(s) cuchilla(s) cuando cruce caminos de gravilla, senderos o caminos y cuando no esté cortando el césped.
17. Vigile el tránsito vehicular cuando esté operando cerca de caminos o en cruces. Este tractor no se ha diseñado para el uso en la vía pública.
18. Úsela solamente con luz natural o con buena luz artificial.

PRÁCTICAS DE OPERACIÓN SEGURAS

19. No haga funcionar el tractor si se encuentra bajo los efectos del alcohol o las drogas.
20. Reduzca la velocidad antes de girar. Opere el tractor suavemente. Evite que funcione de manera errática y a excesiva velocidad.
21. El silenciador y el motor están a temperatura muy alta y pueden provocar lesiones graves por quemaduras. No los toque. Deje que se enfríe el tractor durante cinco minutos antes de intentar cualquier tarea de mantenimiento.
22. Nunca haga funcionar un motor en interiores o en un área mal ventilada. El escape del motor contiene monóxido de carbono, un gas inodoro y letal.

Niños

1. Se pueden producir accidentes trágicos si el operador no está alerta por la presencia de niños. Por lo general, los niños se sienten atraídos por el tractor y su actividad. Los niños no son conscientes de los peligros. Nunca asuma que los niños permanecerán donde los vio por última vez.
2. Mantenga a los observadores, los niños y las mascotas en interiores durante la operación bajo la atenta supervisión de un adulto responsable que no sea el operador. Detenga el tractor si alguien entra en la zona.
3. Nunca transporte niños, ni siquiera con las cuchillas desactivadas. Podrían caerse y resultar gravemente heridos o interferir con la operación segura del tractor. Los niños que ya fueron transportados en el pasado podrían aparecer repentinamente en la zona de corte para otra vuelta y ser atropellados o también podrían ser arrollados al dar marcha atrás con el tractor.
4. Esté alerta y apague el tractor si un niño o un observador ingresa al área.
5. Para evitar accidentes al retroceder, siempre mire hacia atrás y hacia abajo para ver si hay niños.
6. Tenga mucho cuidado al aproximarse a las esquinas ciegas, puertas, arbustos, árboles u otros objetos que puedan obstaculizarle la vista de un niño que pudiese correr al encuentro del tractor.
7. No permita nunca que los niños menores de 14 años utilicen este tractor. Los niños de 14 años en adelante deben leer y entender las instrucciones y las normas de seguridad contenidas en este manual y sobre el tractor, y deben ser entrenados y supervisados por un adulto.
8. No permita que se transporte a ningún niño por diversión en el tractor. El tractor no es un juguete ni un carro de paseo. Advértales a sus hijos que el tractor puede ser peligroso y que deben mantenerse alejados de él en todo momento.
9. Mantenga a los niños alejados de los motores calientes o en funcionamiento. Pueden sufrir quemaduras al tocar un silenciador caliente.
10. Retire la llave cuando el tractor quede sin vigilancia para evitar el funcionamiento no autorizado. Asegúrese de que la llave quede fuera del alcance de los niños pequeños.

Funcionamiento en pendientes y tractores de giro de radio cero con barra de seguridad

1. Las pendientes son un factor importante en los accidentes ocasionados por pérdida de control y vuelcos que pueden causar lesiones graves e incluso la muerte. Todas las pendientes requieren precaución extra. Si no puede retroceder por la pendiente o si no se siente seguro, no realice ningún corte.
2. Para su seguridad, mida las pendientes antes de usar el tractor en el lugar inclinado. Use el dispositivo de medición de pendientes además del indicador de pendientes que se incluye como parte de este manual para medir las pendientes antes de operar este tractor en una zona inclinada o con pendientes. Para medir las pendientes, también se pueden usar aplicaciones de teléfonos inteligentes. Si la pendiente es de más de 15°, como se muestra en el indicador de pendientes o un dispositivo de medición de pendientes, no haga funcionar este tractor en ese sector o podría causar lesiones graves.
3. No corte el césped en pendientes de más de 15° (25%).
4. No corte el césped subiendo y bajando pendientes, solo hágalo de forma transversal a las pendientes que son de menos de 15° (25%). Utilice las velocidades bajas y evite los giros bruscos.
5. No corte el césped húmedo. La reducción de la tracción puede causar derrapes o pérdidas del control.

6. No opere el tractor en ninguna condición en la que se comprometan la tracción, la dirección o la estabilidad. Los neumáticos podrían deslizarse incluso si las ruedas están detenidas.
7. Evite arrancar y parar en una pendiente. Evite hacer cambios repentinos de velocidad o dirección. Haga los giros de forma lenta y gradual.
8. Tenga mucho cuidado al operar este tractor con el colector de césped y otros accesorios. Pueden comprometer la estabilidad del tractor. No utilice el colector de césped en pendientes superiores a 10° (17%).
9. No intente estabilizar el tractor poniendo el pie en el suelo.
10. Haga que todos los movimientos en las pendientes sean lentos y graduales. No realice cambios bruscos de velocidad o dirección. La aceleración repentina podría hacer que el frente del tractor se levantara y volcara rápidamente hacia atrás, lo que podría producir lesiones graves o la muerte.

Incendios y combustible

1. Para evitar lesiones personales o daños materiales sea sumamente cuidadoso al manipular la gasolina. La gasolina es sumamente inflamable y sus vapores son explosivos. Si se derrama gasolina encima o sobre la ropa se puede lesionar gravemente ya que se podría prender fuego. Lávese la piel y cámbiese de ropa de inmediato.
2. Apague los cigarrillos, cigarros, pipas y toda otra fuente de combustión.
3. Utilice sólo recipientes para gasolina aprobados.
4. Nunca saque la tapa del combustible ni agregue combustible mientras el motor está caliente o en marcha. Deje que el motor se enfríe por lo menos cinco minutos antes de volver a cargar combustible.
5. Nunca cargue combustible en los tractores en interiores.
6. Nunca guarde el tractor o el recipiente de combustible en un espacio cerrado donde haya fuego, chispas o luz piloto, como por ejemplo de calentadores de agua, calefactores de ambientes, hornos, secadores de ropa u otros aparatos a gas.
7. Limpie la gasolina que se pueda haber derramado sobre el motor y el equipo. Limpie los derrames de combustible o de aceite y elimine los residuos empapados con gasolina. Traslade el tractor a otra zona. Espere 5 minutos antes de arrancar el motor.
8. Para reducir el riesgo de incendio, mantenga el tractor limpio de pasto, hojas y residuos acumulados. Siga las instrucciones de "Cuidado del tractor posterior al funcionamiento" de la sección de Cuidado del producto.
9. Su tractor fue diseñado para cortar césped residencial normal, con una altura no mayor de 10" (25 cm). No intente cortar césped demasiado crecido, seco (como un pastizal) ni pilas de hojas secas. El césped o las hojas que están secos pueden entrar en contacto con el escape del motor y/o acumularse en la plataforma del tractor presentando un potencial peligro de incendio.
10. Nunca llene en exceso el depósito de combustible. Llene el tanque no más de ½ pulgada por debajo de la base del cuello de llenado, para dejar espacio para la expansión del combustible.
11. Vuelva a colocar la tapa de la gasolina y ajústela bien. No opere el tractor si la tapa del combustible no está colocada en su lugar.
12. Deje que el tractor se enfríe por lo menos cinco minutos antes de cargarle combustible o guardarlo.
13. Nunca llene los recipientes en el interior de un vehículo o camión o caja de remolque con un recubrimiento plástico. Siempre ubique los recipientes en el piso, lejos del vehículo antes de llenarlos.
14. Cuando sea factible, retire el equipo a gasolina del camión o remolque y llénelo en el suelo. Si esto no es posible, recargue combustible sobre un remolque con un recipiente portátil, en lugar de una boquilla dosificadora de combustible.
15. En todo momento, mantenga el pico en contacto con el borde del depósito de combustible o con la abertura del recipiente, hasta terminar la carga. No utilice un dispositivo de bloqueo/apertura de boquilla.

Transporte

1. Utilice rampas de ancho total bien sujetas para cargar y descargar un tractor para el transporte.
2. Tenga mucho cuidado al cargar o descargar el tractor en un remolque o camión. Este tractor no debe conducirse subiendo o bajando rampas, ya que el tractor podría volcar y provocar lesiones personales graves. El tractor se debe empujar a mano en rampas para cargarlo o descargarlo correctamente.

PRÁCTICAS DE OPERACIÓN SEGURAS

3. Eleve la plataforma hasta la posición más alta para una separación para la carga.

Remolque con los tractores de giro cero de barra de seguridad

1. No remolque cargas que superen las 250 libras (113 kg) de peso de arrastre y nunca supere las 50 libras (22 kg) de peso sobre el punto de enganche.
2. No acople equipo remolcado excepto en el punto de enganche del tractor.
3. Nunca permita que los niños y otras personas se suban a equipos remolcados.
4. No remolque en pendientes de más de 5° (9%). En las pendientes, el peso del equipo remolcado puede causar pérdida de tracción y pérdida de control, y/o de la capacidad para detenerse.
5. Siempre tenga mucho cuidado al remolcar con un
6. tractor capaz de hacer giros cerrados (por ejemplo, tractor cortacésped con radio de giro cero). Realice giros amplios para el acodillamiento.
7. Desplácese lentamente y deje distancia adicional para detenerse.

Servicio

1. Mantenga la máquina en buenas condiciones de funcionamiento. No use el tractor hasta que se reemplacen las piezas desgastadas o dañadas.
2. Para evitar lesiones graves o la muerte, no modifique el motor de ninguna manera. La manipulación del ajuste del regulador puede modificar la regulación del motor y hacer que este funcione a velocidades inseguras. Nunca manipule el ajuste de fábrica del regulador del motor. No cambie la configuración del regulador del motor ni acelere demasiado el motor. El regulador del motor controla la velocidad máxima de funcionamiento seguro del motor.
3. Las cuchillas del tractor son afiladas. Envuelva la cuchilla o utilice guantes y extreme las precauciones cuando les haga mantenimiento.
4. Los tractores que tienen motores, mangueras o bombas hidráulicas, y/o sistemas de inyección diésel tienen sistemas de líquidos bajo presión. El líquido que escapa a presión puede tener fuerza suficiente para penetrar la piel y causar lesiones graves. Si se inyecta líquido en la piel, consulte de inmediato a un médico. Mantenga el cuerpo y las manos alejados de los orificios de pasadores o los picos que expulsan líquido a alta presión. Si ocurre una pérdida, haga que un distribuidor autorizado realice el mantenimiento del tractor de inmediato.
5. Antes de limpiar, reparar o inspeccionar la máquina, compruebe que la(s) cuchilla(s) y todas las piezas móviles se hayan detenido. Apague el motor, saque la llave y desconecte los cables de la bujía y póngalos haciendo tierra contra el motor para evitar que se encienda accidentalmente.
6. Controle para garantizar que las cuchillas se detengan completamente en no más de cinco (5) segundos después de desactivar el control de desactivación de las cuchillas según el intervalo del Cronograma de mantenimiento. Mida el tiempo hasta la detención con un cronómetro. Si las cuchillas no se detienen completamente en menos de cinco segundos, su tractor debe ser reparado por un profesional en un distribuidor de servicio autorizado.
7. Controle el sistema de interbloqueo de seguridad, según el intervalo del Cronograma de mantenimiento para un funcionamiento correcto, tal como se describe más adelante en este manual. Si el sistema de interbloqueo de seguridad no funciona correctamente, lleve su tractor a hacerle un servicio profesional de un distribuidor autorizado.
8. Nunca altere el sistema de interbloqueo de seguridad u otros dispositivos de seguridad. Compruebe regularmente que estos elementos funcionen correctamente.
9. Controle el par de ajuste del perno de montaje del motor y las cuchillas de acuerdo con la tabla del Cronograma de mantenimiento de este manual. Además, inspeccione visualmente las cuchillas para detectar la presencia de daños (por ejemplo: desgaste excesivo, abolladuras, rajaduras). Reemplace las cuchillas por cuchillas de los fabricantes del equipo original (O.E.M.) únicamente.
10. El uso de piezas de mantenimiento que no cumplen con las especificaciones del equipo original puede resultar en rendimiento inadecuado y puede poner en peligro la seguridad.
11. Mantenga todas las tuercas, pernos y tornillos bien ajustados para asegurarse de que el equipo está en condiciones de funcionamiento seguras. Revise la tabla del Cronograma de mantenimiento de este manual para obtener información sobre el intervalo de mantenimiento.

12. Después de golpear algún objeto extraño, detenga el motor, desconecte los cables de la bujía y conéctelos a tierra con el motor. Revise cuidadosamente para detectar daños. Repare el daño antes de volver a arrancar y operar la máquina.
13. Nunca intente hacer ajustes o arreglos en el tractor con el motor en marcha.
14. Los componentes del colector de césped y el deflector del canal están sujetos a desgaste y daños lo que podrían dejar expuestas las piezas móviles o permitir que se arrojaran objetos. Verifique frecuentemente los componentes y reemplácelos inmediatamente por piezas del fabricante del equipo original (O.E.M.) únicamente.
15. Mantenga o reemplace las etiquetas de seguridad e instrucciones según sea necesario.
16. Respete las normas y reglamentaciones sobre la manera correcta de desechar gasolina, aceite, etc. para proteger el medio ambiente.

Aviso sobre las emisiones del motor

Los motores tienen la certificación de cumplimiento de las reglamentaciones de California y federales para SORE (equipo pequeño para uso fuera de carreteras), funcionan con gasolina normal y pueden incluir los siguientes sistemas de control de emisiones: Modificación de motor (EM) y catalizador de tres vías (TWC) si están equipados con esos sistemas.

Cuando sea necesario, los modelos están equipados con líneas de combustible y depósitos de combustible de baja penetración para controlar las emisiones por evaporación. Los modelos de California también pueden incluir un filtro de carbono. Por favor, póngase en contacto con Atención al cliente para obtener información sobre la configuración del control de emisiones por evaporación para su modelo.

Amortiguador de chispas

⚠ ADVERTENCIA







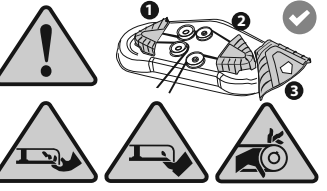


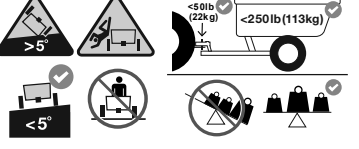
Este tractor está equipado con un motor de combustión interno y no debe ser utilizado en o cerca de un terreno agreste cubierto por bosque, malezas o hierba excepto que el sistema de escape del motor esté equipado con un amortiguador de chispas que cumpla con las leyes locales o estatales correspondientes (en caso de existir).

Si se utiliza un amortiguador de chispas el operador lo debe mantener en condiciones de uso adecuadas. En el Estado de California, las medidas anteriormente mencionadas son exigidas por ley (Artículo 4442 del Código de Recursos Públicos de California). Es posible que existan leyes similares en otros estados. Las leyes federales se aplican en territorios federales. Puede conseguir el amortiguador de chispas para el silenciador a través de su distribuidor autorizado de motores más cercano o poniéndose en contacto con el departamento de servicios, P.O. Box 361131, Cleveland, Ohio 44136-0019.

PRÁCTICAS DE OPERACIÓN SEGURAS

Símbolos de seguridad

En esta página, se presentan y describen los símbolos de seguridad que PUEDEN APARECER en este producto.

Símbolo	Descripción
 <p>OPESymbol.com</p>	<p>ADVERTENCIA- LEA EL MANUAL DEL OPERADOR Lea, entienda y cumpla todas las normas y las instrucciones de seguridad que se incluyen en el manual y en el tractor antes de intentar utilizar este tractor. Si no cumple con lo que indica esta información, se pueden provocar lesiones personales o la muerte. Conserve este manual en un lugar seguro para usarlo como referencia futura habitual. Con un teléfono inteligente, escanee el símbolo del código de QR para obtener más información sobre las advertencias incluidas en este tractor. También puede visitar www.OPESymbol.com para obtener más información.</p>
	<p>ADVERTENCIA - EVITE LESIONES POR OBJETOS ARROJADOS Mantenga a los asistentes por lo menos a 75' (23 metros) de la máquina durante la operación. Saque todas las piedras, palos, cables, huesos, juguetes y demás objetos extraños que puedan ser recogidos y arrojados por las cuchilla(s). Nunca opere el tractor si no está bien colocada la cubierta de descarga o si no está instalado el colector de césped completo en el lugar que corresponde.</p>
	<p>ADVERTENCIA - EVITE LESIONES EN NIÑOS AL RETROCEDER/POR ATROPELLAR/POR CONTACTO CON LAS CUCHILLAS Para evitar accidentes al retroceder, siempre mire hacia atrás y hacia abajo para ver si hay niños. Nunca transporte niños, ni siquiera con las cuchillas desactivadas. Mantenga a los observadores, los niños y las mascotas en interiores durante la operación bajo la atenta supervisión de un adulto responsable que no sea el operador. Detenga el tractor si alguien entra en la zona.</p>
	<p>ADVERTENCIA - EVITE LESIONES POR VUELCOS No opere la máquina en una pendiente mayor de 15° (25%). No corte el césped subiendo y bajando pendientes, solo hágalo de forma transversal a las pendientes que son de menos de 15° (25%). Utilice las velocidades bajas y evite los giros bruscos en las pendientes. Manténgase a por lo menos 10 pies (3 metros) de barrancos, zanjas o terraplenes o del borde del agua</p>
	<p>ADVERTENCIA - EVITE INCENDIOS Su tractor fue diseñado para cortar césped residencial normal, con una altura no mayor de 10" (25 cm). No intente cortar césped demasiado crecido, seco (como un pastizal) ni pilas de hojas secas. Deje que el tractor se enfríe por lo menos cinco minutos antes de cargarle combustible o guardarlo en un garaje cerrado o en una bodega de almacenamiento.</p>
	<p>ADVERTENCIA - EVITE LESIONES DE AMPUTACIÓN No ponga las manos ni los pies cerca o debajo de la plataforma de corte. El contacto con las cuchilla(s) puede amputar manos y pies.</p>
	<p>ADVERTENCIA - EVITE LESIONES DE AMPUTACIÓN No ponga las manos ni los pies cerca de las piezas rotatorias ni debajo de la plataforma de corte. El contacto con las cuchilla(s) puede amputar manos y pies. Compruebe que todos los dispositivos de seguridad (protecciones, escudos, interruptores, etc.) estén en su lugar y funcionando. El contacto con las correas y/o el husillo de las cuchillas puede aplastar o lesionar las partes del cuerpo.</p>
	<p>ADVERTENCIA - EVITE LAS LESIONES POR PUNTOS DE APLASTAMIENTO/COMPRESIÓN Lea, entienda y cumpla todas las normas y las instrucciones de seguridad que se incluyen en el manual y en el tractor antes de intentar realizar el mantenimiento de este tractor. Para los modelos de elevación con el pie únicamente, el sistema de elevación de la plataforma se acciona por resorte y bajo tensión. Utilice siempre la herramienta para usos múltiples provista para fijar el sistema de elevación en la posición de bloqueo antes de intentar extraer la plataforma de la cortadora de césped.</p>
	<p>ADVERTENCIA - SACAR LA LLAVE Apague siempre las cuchillas, mueva las palancas de control de la transmisión hacia afuera a la posición de freno de mano, pare el motor y saque la llave antes de bajarse. Si va a dejar el tractor sin supervisión, saque siempre la llave para evitar que niños u otras personas utilicen el tractor sin autorización.</p>
	<p>ADVERTENCIA - EVITE LAS LESIONES RELACIONADAS CON EL REMOLQUE No remolque cargas que superen las 250 libras (113 kg) de peso de arrastre y nunca supere las 50 libras (22 kg) de peso sobre el punto de enganche. Nunca permita que los niños y otras personas se suban a equipos remolcados. No remolque en pendientes de más de 5° (9%). En las pendientes, el peso del equipo remolcado puede causar pérdida de tracción y pérdida de control, y/o de la capacidad para detenerse. Desplácese lentamente y deje distancia adicional para detenerse.</p>

⚠ ADVERTENCIA

Su responsabilidad—Limite el uso de esta máquina motorizada a las personas que lean, comprendan y respeten las advertencias e instrucciones que figuran en este manual y en la máquina.

¡GUARDE ESTAS INSTRUCCIONES!

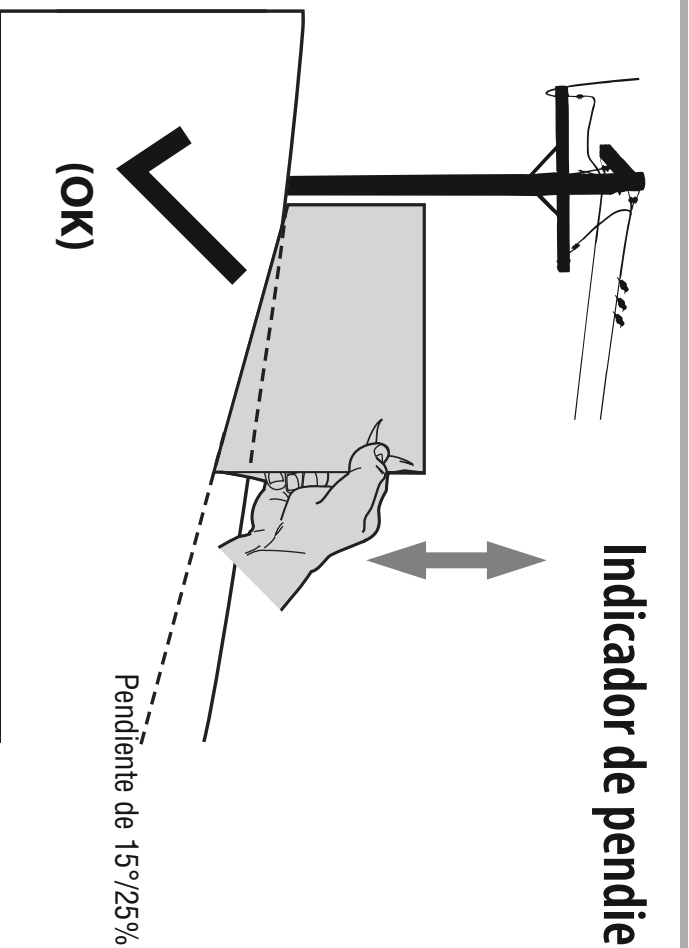


Figura 1

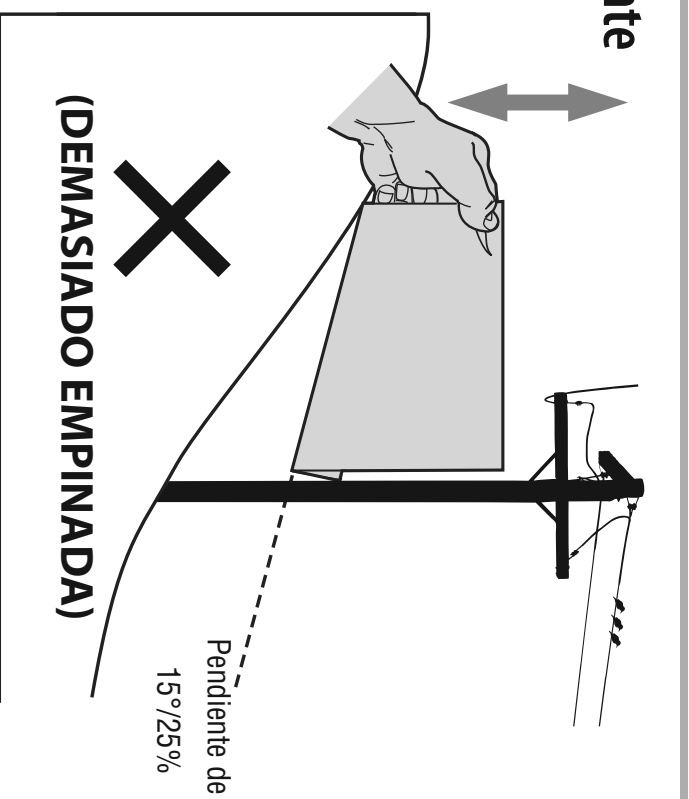


Figura 2

¡UTILICE ESTE INDICADOR DE PENDIENTE PARA DETERMINAR SI UNA PENDIENTE ES DEMASIADO EMPINADA PARA OPERAR CON SEGURIDAD!

Para comprobar la pendiente, proceda de la siguiente manera:

1. Retire esta página y plieguela por la línea de guiones.
2. Ubique un objeto vertical que esté sobre la pendiente o detrás de la misma (por ejemplo, un poste, un edificio, un cerco, un árbol, etc.)
3. Alinee uno de los dos lados del indicador de pendiente con el objeto (vea las Figuras 1 y 2).
4. Ajuste el indicador hacia arriba o hacia abajo hasta que la esquina izquierda toque la pendiente (vea las Figuras 1 y 2).
5. Si hay una separación debajo del indicador, la pendiente es demasiado empinada para operar con seguridad (vea la Figura 2 anterior).

Línea de guiones a 15°/25%



¡ADVERTENCIA! Las pendientes son un factor importante relacionado con accidentes por tumbos y vuelcos que pueden producir lesiones graves o la muerte. No utilice la máquina en pendientes de más de 15°. Todas las pendientes requieren precaución extra. Si no puede retroceder por la pendiente o si no se siente seguro, no realice ningún corte.

MONTAJE

Nota: Este manual de operación, corresponde a varios modelos. Las características del tractor pueden variar según los modelos. No todas las características que se incluyen en este manual se aplican a todos los modelos de tractor y la máquina que se ilustra aquí puede diferir de la suya.

Nota: Todas las referencias que contiene este manual sobre los lados derecho o izquierdo y trasero o delantero del tractor se hacen siempre desde la posición de operación. Las excepciones, si las hubiere, serán especificadas.

Preparativos

Mueva el tractor manualmente

1. Para engranar las varillas de derivación de transmisión, tire de la varilla hacia atrás (a) y hacia el interior de la sección inferior de la ranura "J". Repita en el lado contrario. Consulte la Figura 1.
2. Después de mover el tractor, haga el paso uno a la inversa para desenganchar las varillas de derivación de transmisión.
3. Retire el adaptador del pico del sistema de lavado de la plataforma de la bolsa manual, guárdelo para uso futuro.

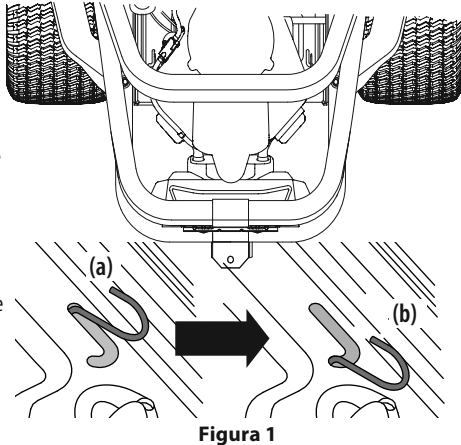


Figura 1

Instale el enganche (si fuera necesario)

1. Ubique el Enganche (a) e instálelo en la parte trasera del bastidor con los dos tornillos de arandela hexagonal (b) proporcionados. Consulte la Figura 2.

Nota: el enganche y los tornillos de arandela hexagonal estarán en el paquete de herrajes.

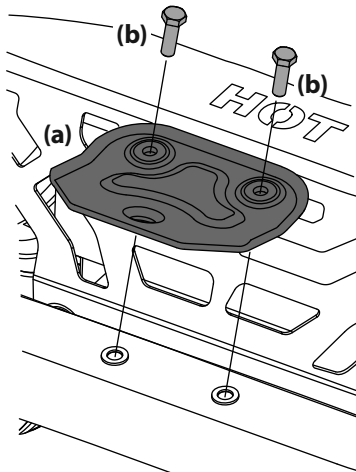


Figura 2

Reubique el aro superior (si fuera necesario)

Se puede ubicar el aro superior abajo para fines de envío:

1. Extraiga los dos tornillos de arandela hexagonal (a) que están instalados parcialmente en el bastidor. Consulte la Figura 3.
2. Gire el aro superior (b) hasta que quede en su posición. Vea la Figura 3.
3. Sujete el aro en su lugar con los tornillos de arandela hexagonal que extrajo en el paso 1. Ajuste los tornillos de arandela hexagonal hasta 159-239 pulgadas-libras (18-27 N-m).

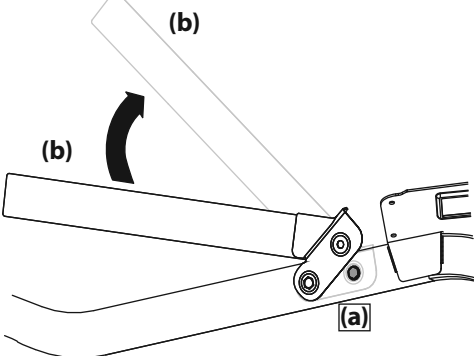


Figura 3

Instale el asiento del operador

Ajuste de perilla o ajuste de palanca

1. Corte cualquier tira que sujete el conjunto del asiento al tractor. Extraiga todo el material de embalaje.
2. Instale el asiento en la bandeja del asiento (a) usando los herrajes proporcionados.

Nota: Tenga cuidado de no cortar el arnés de cables del asiento.

- a. Para el asiento que se ajusta con Perillas inserte los pernos (b) en los orificios traseros y trabe la arandela (c) y las perillas (d) en el frente. Ajuste bien. Consulte la Figura 4.

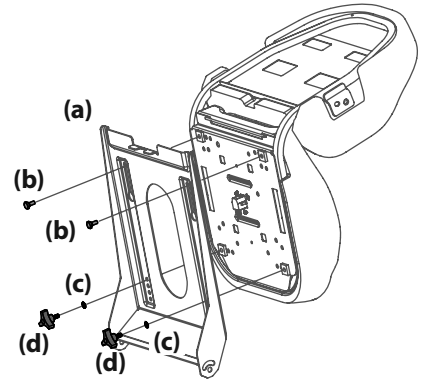


Figura 4

- b. Para un asiento con Ajuste de Palanca use las tuercas de seguridad con brida (a) y las arandelas planas (b). Consulte la Figura 5.

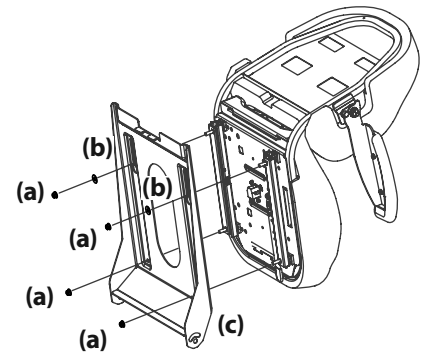


Figura 5

3. Si es necesario, conecte el arnés de cables del interruptor del asiento (a) al interruptor del asiento (b). Consulte la Figura 6. Sujete el cable sobrante alejado de los puntos de apriete antes de continuar.

Nota: El tractor no funcionará sin el arnés de cables del interruptor del asiento en su lugar.

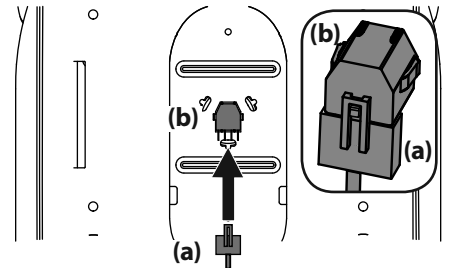


Figura 6

Ubique en posición las palancas de control de la transmisión de la barra de seguridad ("lapbar")

Estas palancas se pueden ajustar arriba/abajo y adelante/atrás para comodidad del operador. Están disponibles tres posiciones de altura y/o las palancas se pueden girar hacia adelante o atrás usando la perilla.

Para ajustar la altura de la palanca de control de la transmisión de barra de seguridad, proceda de la siguiente manera:

1. Extraiga los dos tornillos de carro (a) y las dos tuercas de seguridad con brida (b) que sujetan la palanca de control de la transmisión de barra de seguridad (c) hasta el regulador de la palanca superior (d). Consulte la Figura 7.
2. Mueva la palanca de control de la transmisión de barra de seguridad hasta una de las tres alturas disponibles y sujétela en su lugar con los tornillos del carro y las tuercas de seguridad de brida. Consulte la Figura 7.

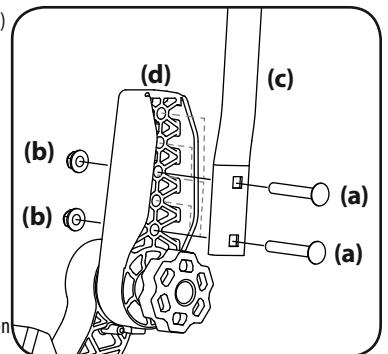


Figura 7

MONTAJE

Para ajustar las palancas de control de la transmisión de barra de seguridad hacia adelante o hacia atrás, proceda de la siguiente forma:

1. Gire la perilla (a) en el sentido contrario a las agujas del reloj para aflojar la perilla (a). Consulte la Figura 8.
2. Eleve y gire la palanca de control de la transmisión de barra de seguridad hasta la posición deseada.
3. Gire la perilla en el sentido de las agujas del reloj para asegurar la palanca de control de la transmisión de barra de seguridad hasta su posición. Consulte la Figura 8.

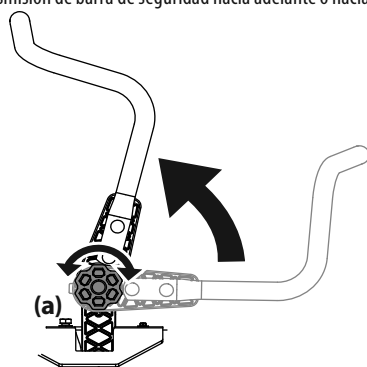


Figura 8

Baje el deflector del canal de la plataforma

⚠ ADVERTENCIA

Nunca opere la plataforma de corte sin el deflector del canal instalado y en posición baja.

Modelos de plataforma de 42"

1. Retire las chavetas que están sujetas con una unión con cierre al soporte del canal.
2. Retire la tuerca de seguridad con brida y el tornillo hexagonal de la plataforma.
3. Ubique el deflector del canal en la plataforma, asegúrese de insertar las lengüetas de dicho deflector en los orificios de la plataforma. Consulte la Figura 9.
4. Deslice el deflector del canal hacia la parte posterior del tractor hasta que el orificio del perno que está en el deflector del canal quede alineado con el orificio de la plataforma. Consulte la Figura 9.

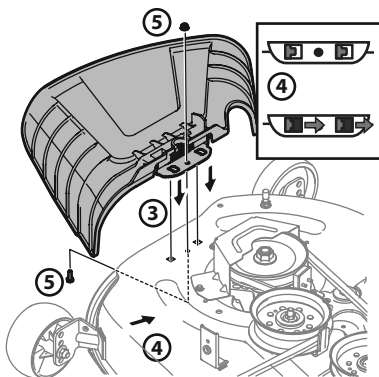


Figura 9

5. Sujete el deflector del canal en su lugar con la tuerca de seguridad con brida y el tornillo hexagonal que se extrajeron en el paso dos. Ajuste hasta 102-124 pulgadas-libras (11.5-14 N-m). Consulte la Figura 9. Pase a "Ajuste de ruedas de calibración delantera".

Modelos de plataforma de 46"/50"/54"/60"

1. El canal se envía sujeto y con un soporte de tope que lo mantiene en posición vertical. Los soportes de tope se deben extraer antes de utilizar el tractor.
2. Sujete el deflector del canal completamente hacia arriba, extraiga el soporte de tope. Baje el deflector del canal y deseche el soporte de tope. Consulte la Figura 10.

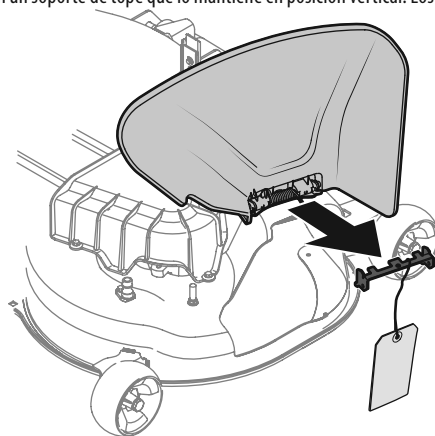


Figura 10

Ajuste de las ruedas de calibración delanteras (si están instaladas)

Nota: Las ruedas de la plataforma constituyen un mecanismo para el cuidado del césped y no fueron diseñadas para soportar el peso de la plataforma de corte.

1. Mueva el tractor a una superficie nivelada, preferentemente pavimentada.
2. Controle la presión de los neumáticos, ajuste si es necesario. Consulte la pared lateral de los neumáticos para averiguar las presiones de inflado adecuadas.
3. Asegúrese de que la plataforma esté nivelada de un lado a otro, y adecuadamente inclinada. Consulte en la sección Cuidado del producto para obtener información e instrucciones para nivelar la plataforma.
4. Coloque la palanca de elevación de la plataforma en la posición de altura de corte deseada.
5. Controle si las ruedas están en contacto con la superficie de abajo o si hay una separación excesiva.

Nota: las ruedas de la plataforma deben tener entre 1/4" (6.35 mm) y 1/2" (12.7 mm) de separación del suelo.

6. Extraiga la tuerca de seguridad (a) rueda de calibración (b) y el tornillo con reborde (c) de la plataforma. Consulte la Figura 11.
7. Inserte el tornillo con reborde en uno de los cuatro orificios de posicionamiento, en el del soporte de rueda de calibración delantera. Deje 1/4-1/2" (6.35-12.7 mm) de separación entre el suelo y la rueda de calibración.
8. Observe el orificio de posicionamiento de la rueda que se acaba de ajustar anteriormente. Repita el ajuste en el lado contrario para alinear ambas ruedas de calibración.

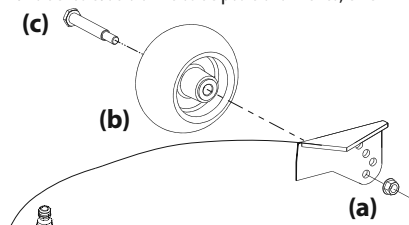


Figura 11

Nota: consulte la sección Ajuste de la plataforma en este manual para encontrar más información.

Información sobre la batería

⚠ ADVERTENCIA

Advertencia PROPOSICIÓN 65 DE CALIFORNIA: Los terminales y contactos de la batería, y los accesorios afines contienen plomo y compuestos de plomo, sustancias químicas que el Estado de California considera que pueden producir cáncer y daños en el sistema reproductivo. Lávese las manos después de estar en contacto con estos componentes.

⚠ ADVERTENCIA

En caso de que se produzca una salpicadura accidental de ácido en los ojos o la piel, enjuague el área afectada inmediatamente con agua limpia fría. Consulte a un médico inmediatamente.

Si el ácido salpica la ropa, en primer lugar dilúyalo con agua limpia, luego neutralícelo con una solución de agua/amoniaco o bicarbonato/agua.

NUNCA conecte (o desconecte) las abrazaderas del cargador de la batería a la batería si el cargador está encendido, ya que puede causar chispas.

Mantenga todas las fuentes de combustión (cigarrillos, cerillas, encendedores) alejadas de la batería. El gas generado durante la carga puede ser combustible.

Como precaución adicional, cargue la batería únicamente en un área bien ventilada.

Siempre proteja sus ojos y su piel y vestimenta cuando trabaje cerca de baterías.

Las baterías contienen ácido sulfúrico y pueden producir gases explosivos. Tenga sumo cuidado cuando manipule baterías. Mantenga las baterías lejos del alcance de los niños.

⚠ PRECAUCIÓN

Cuando coloque los cables de la batería, conecte siempre primero el cable POSITIVO (rojo) a su terminal, y a continuación el cable NEGATIVO (negro).

Nota: el terminal positivo de la batería está marcado como Pos. (+). El terminal negativo de la batería está marcado como Neg. (-).

MONTAJE

Conexión de los cables de la batería

⚠ ADVERTENCIA

Siempre conecte el conductor positivo a la batería antes de conectar el conductor negativo. Esto evita la generación de chispas o posibles lesiones producidas por un cortocircuito eléctrico causado por el contacto del cuerpo del tractor con las herramientas que se usan para conectar los cables.

Por razones relacionadas con el embarque, la fábrica puede dejar los dos cables de la batería desconectados de los terminales. Para conectar los cables de la batería, proceda de la siguiente manera:

1. Retire la cubierta plástica, si está presente, del terminal positivo de la batería. Conecte el cable rojo al terminal positivo de la batería (+) utilizando el perno (a) y la tuerca hexagonal (b). Consulte la Figura 12.
2. Retire la cubierta plástica, si está presente, del terminal negativo de la batería y conecte el cable negro al terminal negativo de la batería (-) utilizando el perno (a) y la tuerca hexagonal (b). Consulte la Figura 12.
3. Coloque el capuchón de goma rojo (c) sobre el terminal positivo de la batería para protegerlo contra la corrosión. Consulte la Figura 12.

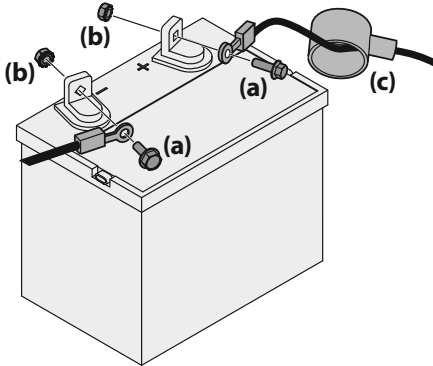


Figura 12

Nota: Si la batería se pone en funcionamiento después de la fecha indicada en su parte superior o al costado de la misma, cárguela siguiendo las instrucciones de la sección Cuidado del producto antes de operar el tractor.

Mantenimiento de la batería

- La batería se llena con ácido de batería y se sella en fábrica. Sin embargo, para asegurar un ciclo de vida adecuado es necesario realizar cierto mantenimiento, aún en las baterías 'sin mantenimiento'.
- Rocíe los terminales y el cable expuesto con un sellador de terminales de batería, o recubra los terminales con una capa delgada de grasa o vaselina para protegerlos contra la corrosión.
- Siempre mantenga limpios y libres de corrosión los cables y los terminales de la batería.
- Evite inclinar la batería. Hasta una batería sellada pierde electrolito si se la inclina.

Almacenamiento de la batería

- Cuando el tractor se guarda durante períodos prolongados, desconecte el cable negativo de la batería. No es necesario retirar la batería.
- Todas las baterías se descargan durante el almacenamiento. Mantenga el exterior de la batería limpio, especialmente la parte superior. Una batería sucia se descarga con mayor rapidez.
- La batería debe guardarse con carga completa. Una batería descargada se puede congelar más pronto que una batería cargada. Una batería con carga completa se guarda por más tiempo en temperaturas frías que en temperaturas altas.
- Vuelva a cargar la batería antes de volver a ponerla en servicio. Aun cuando el tractor pueda arrancar, el sistema de carga del motor tal vez no recargue totalmente la batería.

Retiro de la batería

⚠ ADVERTENCIA

Los bornes, terminales y accesorios de la batería contienen plomo y compuestos de plomo. Lávese las manos después de estar en contacto con estos componentes.

La batería está ubicada debajo del marco del asiento. Para retirar la batería:

1. Extraiga el tornillo de cabeza hexagonal con arandela (a) que sujeta el soporte de sujeción de la batería al marco (b). Luego levante el soporte de sujeción (b) de la batería para liberar la batería. Consulte la Figura 13.
2. Retire el tornillo de cabeza hexagonal y la tuerca Sems que fijan el conductor negativo negro de la batería al borne negativo de la batería (marcado 'NEG'). Aleje el cable del terminal negativo de la batería.
3. Retire el tornillo de cabeza hexagonal y la tuerca Sems que fijan el conductor positivo rojo de la batería al borne positivo de la batería (marcado 'POS').
4. Levante con cuidado la batería para sacarla del tractor.
5. Instale la batería repitiendo los pasos anteriores en orden inverso.

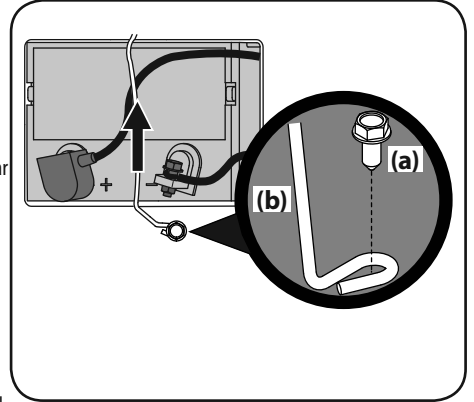


Figura 13

Carga de la batería

Si el tractor ha estado guardado durante un tiempo, pruebe la batería y, si es necesario, recárguela.

- Un voltímetro o medidor de carga debería dar una lectura de 12.6 voltios (CC) o más en todos los terminales de la batería. Consulte la Figura 14.

Voltímetro (lectura)	Estado de la carga	Tiempo de carga
12.7	100 %	Carga completa
12.4	75%	90 min.
12.2	50%	180 min.
12.0	25%	280 min.

- Cargue la batería con un cargador de batería de 12 voltios a un MÁXIMO de 10 amperios.

Figura 14

Ajuste del asiento

Ajuste por perilla

1. Extraiga las perillas (a).
2. Deslice el asiento hacia arriba o abajo hasta la posición deseada.
3. Vuelva a colocar las perillas en uno de los cuatro ajustes de los orificios y ajuste bien. Consulte la Figura 15.

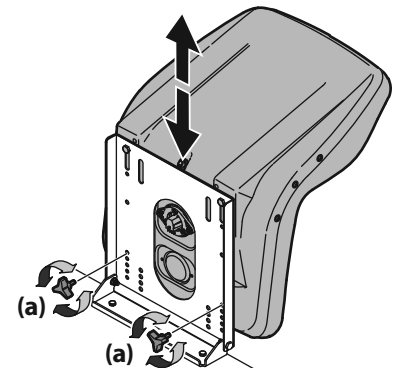


Figura 15

Ajuste de las palancas

1. Para ajustar la posición del asiento, empuje la palanca de ajuste del asiento hacia la izquierda y manténgala en esa posición.
2. Deslice el asiento hacia adelante o atrás hasta la posición deseada.
3. Suelte la palanca de ajuste. Asegúrese de que el asiento esté fijo en su posición antes de operar el tractor. Consulte la Figura 16.

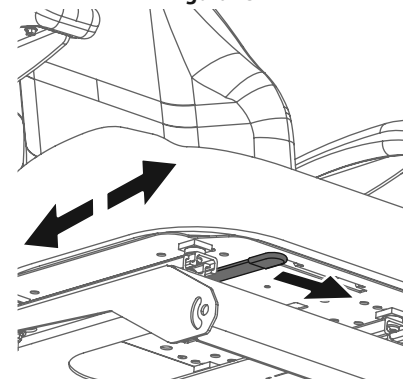


Figura 16

FUNCIONAMIENTO

Nota: Este manual de operación corresponde a varios modelos. Las características del tractor pueden variar según los modelos. No todas las características que se incluyen en este manual se aplican a todos los modelos de tractor y la máquina que se ilustra aquí puede diferir de la suya.

Nota: Las referencias a IZQUIERDA, DERECHA, ADELANTE Y ATRÁS indican esa posición desde el asiento del operador en el tractor, mirando hacia adelante.

1 Palancas de control de la transmisión de barras de seguridad ("lapbar")

Las palancas de control de la transmisión de las barras de seguridad de lado derecho (RH) y lado izquierdo (LH) se encuentran a cada lado del asiento del operador. Las palancas con bisagras se articulan hacia afuera para permitirle al operador sentarse en el asiento o bajarse. Para arrancar el motor del tractor, las palancas de control de la transmisión de barras de seguridad deben estar completamente hacia afuera y en la posición de estacionamiento. Cuando las palancas de control de la transmisión de barras de seguridad están completamente hacia afuera, también se activa el freno de mano.

Cada palanca de control de la transmisión controla la transmisión respectiva. En consecuencia, estas palancas controlan todos los movimientos del tractor. La conducción del tractor y la realización de maniobras con estas palancas de control difieren mucho de las funciones respectivas de los tractores convencionales, y es necesario practicar para poder dominar las mismas. Consulte la sección Funcionamiento de práctica para obtener más instrucciones.

2 Posicionamiento de la altura de la plataforma

Si cuenta con una manija de elevación de la plataforma:

Cada muesca de posicionamiento de la altura corresponde aproximadamente a un cambio de 1/2" (12.7 mm) de la altura de la plataforma. Consulte 3 en la Figura 15.

Si está equipado con una perilla y un pedal de elevación de la plataforma:

Cada rotación representa un cambio de 1/4" (6.35 mm) en la altura de la plataforma. Las posiciones varían de 1" (2.5 cm) a 4-1/2" (11.4 cm) en el punto más alto. Consulte 4a y 4b en la Figura 15.

3 Manija de elevación de la plataforma (si está equipada)

La manija de elevación de la plataforma se utiliza para levantar o bajar la plataforma de la cortadora. Para bajar la plataforma, tire de la manija de elevación de la plataforma hacia la derecha para sacarla de la muesca de ubicación y oprimir hacia abajo. Para elevar la plataforma, tire hacia arriba. Asegure que la manija esté completamente posicionada en la muesca de ubicación de altura cuando se alcance la altura deseada.

4a Pedal de elevación de la plataforma (si está equipada)

El pedal de elevación de la plataforma está ubicado en el vértice delantero derecho de la plataforma. El pedal se usa junto con la perilla de elevación de la plataforma (si está equipada) para subir y bajar la plataforma de corte. Oprima hacia adelante el pedal de elevación de la plataforma, gire la perilla de elevación de la plataforma hasta la altura deseada y suelte el pedal de elevación de la plataforma.

4b Perilla de elevación de la plataforma (si está equipada)

La perilla de elevación de la plataforma se usa junto con el pedal de elevación de la plataforma (si está equipado) para subir y bajar la plataforma de corte. Oprima hacia adelante el pedal de elevación de la plataforma, gire la perilla de elevación de la plataforma hasta la altura deseada y suelte el pedal de elevación de la plataforma.

5 Toma de fuerza (PTO)

PTO eléctrica (si está equipada)

El interruptor de la toma de fuerza (PTO) hace funcionar el embrague eléctrico de la PTO que está montado en la base del cigüeñal del motor. Tire de la perilla del interruptor hacia arriba para enganchar el embrague de la toma de fuerza (PTO), o empuje la perilla hacia abajo para desactivar el embrague.

Al arrancar el motor, el interruptor de la toma de fuerza (PTO) debe estar en la posición "OFF" (apagado).

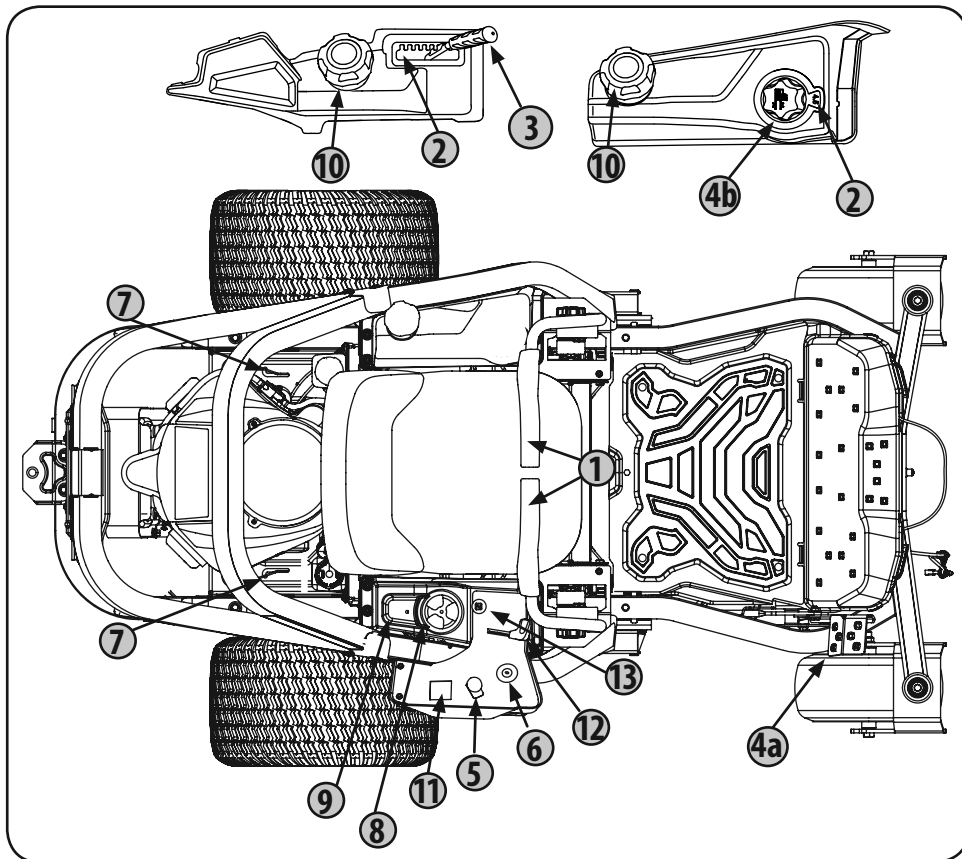
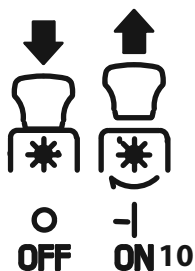


Figura 15

6 Interruptor de encendido

⚠ ADVERTENCIA

Nunca deje la máquina en funcionamiento sin vigilancia. Siempre desconecte la toma de fuerza (PTO), ponga el freno de mano, pare el motor y retire la llave, para evitar que el motor arranque accidentalmente.

El interruptor de encendido tiene tres posiciones:

STOP (parada): Se apagan el motor y el sistema eléctrico.

RUN (funcionamiento): Se activa el sistema eléctrico del tractor cortacésped.

START (arranque): El motor de arranque enciende el motor. Suelte la llave inmediatamente apenas arranque el motor.

Nota: para evitar el arranque accidental y/o la descarga de la batería, quite la llave del interruptor de encendido cuando el tractor no se encuentra en uso.

7 Varillas de derivación de transmisión

Las varillas de derivación de transmisión (una para cada transmisión derecha e izquierda) están ubicadas en la parte posterior del tractor, junto al motor. Cuando están engranadas, las dos varillas abren una derivación dentro de las transmisiones hidrostáticas, lo que permite empujar el tractor distancias cortas a mano. Consulte la sección Montaje para ver instrucciones adicionales.

⚠ PRECAUCIÓN

Nunca remolque su tractor. Si se remolca el tractor con las ruedas traseras apoyadas en el suelo se pueden causar daños graves a las transmisiones.

FUNCIONAMIENTO

8 Portavasos

El portavasos está ubicado en la parte superior de la consola.

9 Bandeja de almacenamiento

La bandeja de almacenamiento está ubicada en la parte posterior de la consola.

10 Tapón del depósito de combustible

Gire el tapón de llenado al menos dos clics en el sentido contrario a las agujas del reloj y tire hacia arriba para extraerlo. El tapón del combustible está amarrado al tractor para impedir que se pierda. No intente retirar el tapón del tractor. Llene el depósito hasta $\frac{1}{2}$ " (12.7 mm) por debajo de la base del cuello de llenado para dejar un poco de espacio en el depósito para la expansión del combustible. No llene en exceso el depósito de combustible.

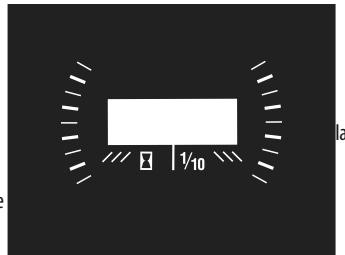
Empuje el tapón hacia abajo sobre el cuello de llenado del depósito de combustible y gírelo al menos dos clics en el sentido de las agujas del reloj para ajustarlo. Siempre vuelva a colocar el tapón de combustible bien ajustado en el depósito después de quitarlo.

⚠ ADVERTENCIA

Nunca llene el depósito de combustible si el motor está en funcionamiento. Si el motor está caliente por haber funcionado hasta hace poco, déjelo enfriar al menos cinco minutos antes de volver a cargar combustible. La gasolina es muy inflamable y podría salpicar el motor y causar un incendio.

11 LCD avisador de servicio y medidor horario (si está equipado)

El LCD avisador de servicio le recuerda al operador los intervalos de mantenimiento para el cambio del aceite del motor, el servicio del filtro de aire, las advertencias de bajo nivel de aceite y poca batería. Cuando se gira la llave fuera de posición STOP (detención), pero no está en la posición de arranque, el LCD avisador de servicio y medidor horario mostrará brevemente la tensión de la batería, seguido de las horas acumuladas del tractor.



Nota: cuando la llave de encendido está fuera de la posición STOP (detención), el símbolo de globoide se enciende/parpadea para indicar que está registrando las horas de funcionamiento del tractor, independientemente de que el motor esté encendido o no.

Cambio de aceite

La pantalla LCD alternará las letras "CHG" (cambiar), seguidas de las letras "OIL" (aceite), seguidas de las letras "SOON" (pronto), y luego finalmente seguidas por el tiempo acumulado del medidor. "CHG/OIL/SOON/TIME" se alternarán en la pantalla durante 7 minutos después de que el medidor llegue a 50 horas. Este intervalo del avisador de servicio de aceite se producirá cada 50 horas. Antes de que finalice el intervalo, cambie el aceite del motor según se indica en este Manual del operador del motor.

Poco aceite

Nota: La función de baja presión de aceite solo funciona si el motor tiene un interruptor de presión de aceite.

En la pantalla LCD aparecen alternadas las letras "LO" (nivel bajo) seguidas de las letras "OIL" (aceite), seguidas luego del tiempo acumulado del medidor indicarán que el tractor tiene poca presión de aceite. Esto suele suceder cuando se enciende un motor. El indicador permanecerá activo hasta que el motor genere suficiente presión después de comenzar. Si el indicador permanece encendido cuando el motor está a máxima velocidad y después de que hayan transcurrido unos pocos minutos de funcionamiento, detenga el tractor de inmediato y controle el nivel de aceite del motor según las instrucciones de este Manual del operador del motor. Si el nivel de aceite es correcto y el indicador sigue encendido, comuníquese con un distribuidor de servicio autorizado.

Poca batería

Al arrancar, se visualiza fugazmente el voltaje de la batería y luego cambia a horas acumuladas. Aparecen las letras "LO" (nivel bajo), seguidas de las letras "BATT" (batería), seguidas luego del tiempo acumulado del medidor. "LO/BATT/TIME" se muestra en la pantalla LCD cuando la tensión cae por debajo de 11.5 voltios. Cuando esto ocurre, significa que se debe cargar la batería o que el sistema de carga del motor no genera suficiente amperaje. Cargue la batería como se indica en la sección Cuidado del producto de este manual o haga controlar el sistema de carga por su distribuidor de servicio local.

Mantenimiento del filtro de aire

En la pantalla LCD aparecen las letras "CLN" (limpiar), seguidas de las letras "AIR" (aire), seguidas por "FILT" (filtro), seguidas luego del tiempo acumulado del medidor. "CLN/AIR/FILT/TIME" se alternarán en la pantalla durante 7 minutos después de que el medidor llegue a 25 horas. Este intervalo del avisador de servicio del filtro de aire será cada 25 horas. En intervalos comunes con el servicio del aceite, aparece el mensaje del aceite primero seguido primero por el mensaje del filtro de aire.

12 Palanca de control del acelerador/cebador o palanca de control del acelerador

Nota: cuando se lo coloca en determinada posición, se mantiene una velocidad de motor uniforme.

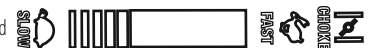
Palanca de control del acelerador (si está equipada)

Empuje la palanca de control del acelerador hacia adelante para aumentar la velocidad del motor. El tractor está diseñado para que funcione con la palanca de control del acelerador en aceleración máxima FAST (rápido) cuando se conduce el tractor y se engancha la plataforma del tractor. Tire de la palanca de control del acelerador hacia atrás para reducir la velocidad del motor.



Palanca de control del acelerador/ cebador (si está equipada)

Empuje la palanca de control del acelerador/ cebador hacia adelante para aumentar la velocidad del motor. El tractor está diseñado para que funcione con la palanca de control del acelerador/cebador en aceleración máxima FAST (rápido) cuando se conduce el tractor y se engancha la plataforma de la cortadora de césped. Tire de la palanca de control del acelerador/estrangulador hacia atrás para reducir la velocidad del motor. Cuando arranque el motor, empuje la palanca de control totalmente hacia adelante a la posición "CHOKE" (cebador). Después de arrancar y calentar el motor, mueva la manija de control hacia atrás hasta que sienta que pasa el bloqueador del cebador. El objetivo del acelerador no es controlar la velocidad de la unidad, sino que debe permanecer a alta velocidad mientras se operan las cuchillas.



13 Control del cebador (si está equipado)

El control del cebador determina la posición del cebador del motor. Tire de la perilla hacia afuera para cebar el motor; empuje la perilla hacia adentro para abrir el cebador.



Herramienta para usos múltiples (si está equipada)

La herramienta para usos múltiples (a) está ubicada en el frente de la consola derecha. La herramienta para usos múltiples (a) se puede usar como bloqueo de elevación de la plataforma, para extraer el perno de la bandeja, ajustar la altura de las palancas de control de la transmisión de barras de seguridad, ajustar la detención de las palancas de control de la transmisión y se puede usar como herramienta de extracción con la llave de cubo de $\frac{1}{2}$ ". Consulte la sección Cuidado del producto para obtener más información sobre el uso de la herramienta para usos múltiples (a). Consulte la Figura 16.

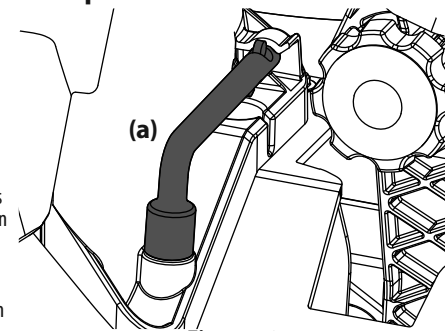


Figura 16

Faros delanteros (no se muestran/si están equipados)

Los faros delanteros se encuentran en el frente del bastidor. Los faros delanteros se encienden (ON) cada vez que se gira la llave de encendido sacándola de la posición STOP (detención) y OFF cuando la llave de encendido se mueva a la posición STOP (detención).

Palanca de ajuste del asiento (no se muestra/si está equipada)

La palanca de ajuste del asiento está ubicada debajo del asiento. La palanca de ajuste del asiento permite el ajuste del asiento del operador hacia adelante o hacia atrás. Consulte la sección Montaje y Configuración para ver instrucciones sobre el ajuste de la posición del asiento.

Nota: si su tractor no cuenta con una palanca de ajuste del asiento, se puede ajustar usando las perillas de la parte inferior del asiento. Consulte la sección Montaje y Configuración para ver instrucciones sobre el ajuste del asiento.

FUNCIONAMIENTO

Funcionamiento

Antes de hacer funcionar el tractor

- Antes de la operación, consulte la tabla del Cronograma de mantenimiento que está ubicada en este manual para los artículos de servicio programado habitualmente.
- Se certifica que este motor funciona únicamente con gasolina normal sin plomo, nueva y limpia. Llene únicamente con gasolina sin plomo, nueva y limpia, en un surtidor que indique un octanaje igual a 87 o más.
- No use gasolina que haya quedado de la temporada anterior, para minimizar la formación de depósitos de goma en el sistema de combustible.
- El gasohol (hasta 10% de alcohol etílico, 90% de gasolina sin plomo por volumen) es un combustible aprobado. No se aprueba el uso de otras mezclas de gasolina/alcohol.
- El éter metílico terciario-butílico (MTBE) y las mezclas de gasolina sin plomo (hasta un máximo de 15% de MTBE por volumen) son combustibles aprobados. No se aprueba el uso de otras mezclas de gasolina/éter.

Sistema de interbloqueo de seguridad

⚠ ADVERTENCIA

No opere el tractor si el sistema de interbloqueo de seguridad funciona mal. El sistema fue diseñado para brindarle seguridad y protección.

Este tractor está equipado con un sistema de interbloqueo de seguridad para protección del operador. Si el sistema de interbloqueo funciona mal, no se debe hacer funcionar el tractor. Comuníquese con un distribuidor de servicio autorizado.

- El sistema de interbloqueo de seguridad impide que el motor arranque o se encienda a menos que esté accionado el freno de mano y la palanca de toma de fuerza (PTO) esté en posición DESACTIVADA (OFF).
- Si el operador abandona su asiento antes de poner el freno de mano, el motor se APAGARÁ automáticamente.
- El motor se apagará automáticamente si el operador abandona el asiento del tractor con el interruptor de la palanca de la toma de fuerza (PTO) en la posición de activación (ON), independientemente de si el freno de mano está puesto o no.

Control de los circuitos de interbloqueo de seguridad

Controle periódicamente los circuitos de interbloqueo de seguridad para estar seguro de que funcionan adecuadamente. Si algún circuito de seguridad no funciona según el diseño, póngase en contacto con el distribuidor de Servicio para que inspeccione el tractor. NO use el tractor si algún circuito de seguridad no está funcionando adecuadamente. Para controlar los circuitos de seguridad proceda de la siguiente manera:

1. Tire de la PTO hacia arriba, hasta la posición de activación (ON). Gire el interruptor de encendido a la posición START (arranque) momentáneamente; el motor no debería intentar arrancar.
2. Con el tractor en marcha, mueva las dos palancas de control de la transmisión de barras de seguridad totalmente hacia adentro hasta la posición de punto muerto; luego levántelas desde el asiento del operador. El motor debe dejar de funcionar.
3. Con las dos palancas de control de la transmisión de barras de seguridad totalmente hacia afuera en la posición de freno de mano aplicado, active la PTO. Levántelas desde el asiento del operador; el motor se debe detener.

Arranque del motor

⚠ PRECAUCIÓN

El operador debe estar sentado en el asiento del tractor al arrancar el motor.

1. El operador debe estar sentado en el asiento del tractor con las palancas de control de la transmisión de barras de seguridad completamente hacia afuera en la posición de estacionamiento. Consulte la Figura 17. Consulte la sección Funcionamiento de práctica para obtener más instrucciones.
2. Asegúrese de que la toma de fuerza esté en la posición OFF (apagado). Mueva el control del acelerador o el control de acelerador/cebador a la posición máxima del cebador. Mueva el control del acelerador a distancia media entre las posiciones velocidad lenta y velocidad rápida en modelos con control de cebador independiente.

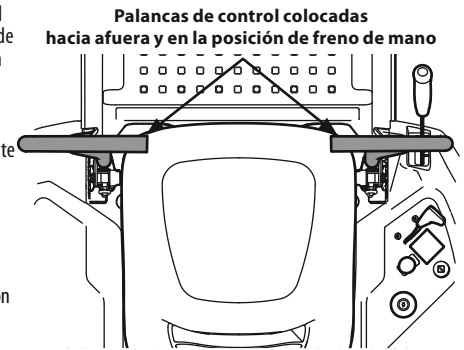


Figura 17

3. Gire la llave hacia la derecha a la posición START (arranque). Una vez que arranque el motor, suelte la llave. Volverá a la posición RUN (funcionamiento).

Nota: Si el motor está caliente, tal vez no sea necesario cebar el motor.

⚠ PRECAUCIÓN

NO mantenga la llave en la posición START (arranque) durante más de diez segundos por vez. Si lo hace, puede ocasionar daños al arrancador eléctrico del motor.

4. Cuando se calienta el motor, tire gradualmente de la palanca de control del acelerador/cebador hacia atrás pasando la posición de detención del cebador o, en modelos con un cebador separado, desenganche lentamente el cebador. No use la posición del cebador para enriquecer la mezcla de combustible, a menos que sea necesario para arrancar el motor.
5. Deje que el motor funcione unos cuantos minutos a una aceleración intermedia antes de someterlo a la carga.
6. Observe el medidor horario/panel indicador. Si se enciende la luz del indicador de batería o de presión de aceite, detenga el motor inmediatamente. Haga que su distribuidor de servicio autorizado inspeccione el tractor.

Arranque del motor en clima frío

Al arrancar el motor a temperaturas cercanas o inferiores al punto de congelamiento, asegúrese de que se use aceite de motor de viscosidad correcta y que la batería tenga carga completa. Arranque el motor de la siguiente forma

1. Asegúrese de que la batería se encuentre en buen estado. Una batería caliente tiene una capacidad de arranque mucho mayor que una batería fría.
2. Use combustible fresco para uso invernal. La gasolina para uso invernal tiene mayor volatilidad a los efectos de mejorar el arranque. No use gasolina que le haya quedado del verano.
3. Siga las instrucciones previas para Arrancar el motor.

Usos los cables de arranque para encender el motor

⚠ ADVERTENCIA

Las baterías contienen ácido sulfúrico y producen gases explosivos. Asegúrese de que el área esté bien ventilada, use guantes y protectores de ojos y evite chispas o llamas cerca de la batería.

Si la carga de la batería no es suficiente para dar arranque al motor, vuelva a cargar la batería. Si no dispone de un cargador de batería y debe arrancar el tractor, puede ser necesario usar una batería de urgencia. Conecte la batería de urgencia de la siguiente forma:

1. Conecte el extremo de un cable al terminal positivo de la batería del tractor que no funciona; luego conecte el otro extremo de ese cable al terminal positivo de la batería de urgencia.

FUNCIONAMIENTO

2. Conecte un extremo del otro cable al terminal negativo de la batería de urgencia; luego conecte el otro extremo de ese cable al marco del tractor que no funciona, a la mayor distancia posible de la batería.
3. Arranque el tractor que no funciona según las instrucciones de arranque normales indicadas más arriba; luego desconecte los cables de puente en orden exactamente inverso al de la conexión.
4. Haga controlar y reparar el sistema eléctrico del tractor lo más pronto que fuere posible, para eliminar la necesidad de usar cables de puente para arrancarlo.

Detención del motor

1. Desconecte la PTO.
2. Mueva las palancas de control de la transmisión de barras de seguridad del lado derecho e izquierdo completamente hacia afuera hasta la posición de freno de mano activado.
3. Mueva el control del acelerador a distancia media entre las posiciones Velocidad lenta y Velocidad rápida.
4. Gire la llave a la posición STOP (detención) y quite la llave del módulo de encendido.

Nota: siempre quite la llave del módulo de encendido para evitar el arranque accidental o la descarga de la batería si el equipo queda sin supervisión.

Practique el modo de operación con el tractor (uso inicial)

Operar un tractor con radio de giro cero no es lo mismo que operar un tractor convencional. Si bien precisamente un tractor con radio de giro cero es más maniobrable, es necesario practicar la operación de las palancas de control de la transmisión de barras de seguridad para acostumbrarse a las mismas.

Se recomienda enfáticamente que encuentre un "área de práctica" de superficie razonable, nivelada y abierta, en la cual no haya obstrucciones, peatones ni mascotas. Debe practicar la operación del tractor durante 30 minutos por lo menos.

Lleve (o haga que alguien lleve) el tractor al área de práctica con cuidado. Cuando esté practicando, la PTO no debe estar activada. Mientras practica, haga funcionar el tractor a aproximadamente $\frac{1}{2}$ - $\frac{3}{4}$ de aceleración y a menos de la velocidad máxima tanto en marcha adelante como en marcha atrás.

Ejercite cuidadosamente las maniobras con el tractor, usando las instrucciones de la sección siguiente "Conducción del tractor". Practique hasta que se sienta confiado de poder manejar el tractor con seguridad.

Conducción del tractor

⚠ ADVERTENCIA

Todos los movimientos de las palancas de control de la transmisión de barras de seguridad deben ser lentos y suaves. El movimiento abrupto de las palancas de control puede afectar la estabilidad del tractor y podría hacer que el tractor vuelque, con el resultado de lesiones graves o incluso la muerte del operador.

1. Ajuste el asiento del operador a la posición más cómoda que le permita operar los controles. Consulte la forma de hacerlo en la sección Montaje y Configuración.
2. Mueva las palancas de control de transmisión de barras de seguridad del lado derecho y del lado izquierdo hacia adentro, en punto muerto, lo cual desactiva también el freno de mano. Consulte la Figura 18:

Nota: las palancas de control de la transmisión de barras de seguridad se deben mover totalmente hacia adentro antes de empujar hacia adelante o hacia atrás a fin de asegurarse de que los frenos estén totalmente liberados. Si estaciona el tractor en un terreno desparejo o en una colina, esto puede hacer que los frenos se agarren y no se suelten por completo. En este caso, el tractor no se desplazará cuando se muevan las palancas de control de la transmisión de barras de seguridad. Si esto ocurre, mueva la palanca de control de la transmisión de barras de seguridad en la dirección opuesta levemente para quitar la carga de los frenos y permitir que estos se liberen completamente.

Nota: si las palancas de control de la transmisión de barras de seguridad no están niveladas en la posición de punto muerto, consulte Mantenimiento y ajustes para obtener instrucciones sobre la forma de ajustar las palancas de control de la transmisión de barras de seguridad para que queden parejas.

3. Mueva el acelerador a la posición de aceleración máxima.

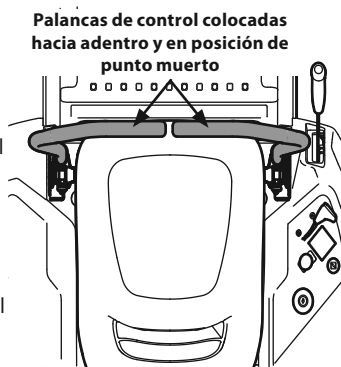


Figura 18

⚠ ADVERTENCIA

Siempre sujete las palancas de control con firmeza. NO suelte las palancas de control para desplazarse más despacio o para detener el tractor; lleve las palancas a la posición de punto muerto con las manos.

4. Para conducir el tractor, tome firmemente las palancas de control de la transmisión de barras de seguridad respectivas con las manos derecha e izquierda y proceda con Conducción del Tractor marcha adelante, según las instrucciones de la siguiente sección.

Conducción del tractor hacia adelante

1. Mueva las palancas de control de la transmisión de barras de seguridad lenta y suavemente hacia adelante. El tractor comenzará a desplazarse hacia adelante. Consulte la Figura 19.

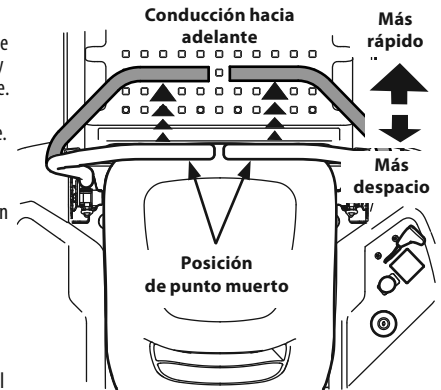


Figura 19

2. A medida que las palancas de control de la transmisión de barras de seguridad se empujan más hacia adelante, aumenta la velocidad del tractor.
3. Para que el tractor se desplace más lentamente, mueva la palanca de control de la transmisión hacia atrás hasta alcanzar la velocidad deseada, o coloque las palancas de control de la transmisión de barras de seguridad en la posición de punto muerto para detener el tractor.

Giro con el tractor en marcha adelante

⚠ ADVERTENCIA

Los giros bruscos pueden afectar el control del tractor. Conduzca SIEMPRE el tractor lentamente antes de realizar giros bruscos.

Para que el tractor gire mientras se desplaza hacia adelante, mueva las palancas de control de la transmisión de barras de seguridad según sea necesario para que una palanca de control de la transmisión quede más atrás que la otra. El tractor girará en la dirección de la palanca de control de la transmisión marcha atrás.

1. Para girar a la izquierda, mueva la palanca de control de la transmisión del lado izquierdo hacia atrás respecto de la palanca de control de la transmisión derecha. Consulte la Figura 20.
2. Para girar a la derecha, mueva la palanca de control de la transmisión derecha hacia atrás respecto de la palanca izquierda. Consulte la Figura 21.
3. Cuanto mayor sea la distancia entre las dos palancas, más cerrado será el giro que dará el tractor.
4. Para realizar un "giro de pivote", mueva la palanca de control de la transmisión del lado de giro a la posición de punto muerto, mientras mueve la otra palanca de control hacia adelante.

Giro a la izquierda hacia adelante

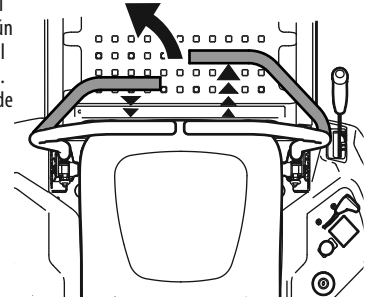


Figura 20

Giro a la derecha hacia adelante

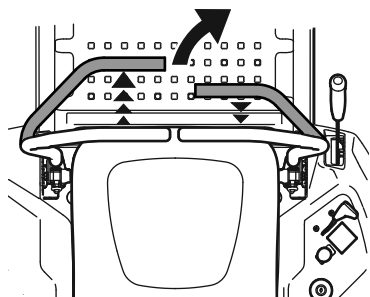


Figura 21

Nota: Los "giros de pivote" sobre el pasto aumentan significativamente el potencial de que se deteriore el césped.

FUNCIONAMIENTO

Conducción del tractor en marcha atrás

⚠ ADVERTENCIA

Siempre mire hacia atrás y hacia abajo a ambos lados del tractor antes de desplazarse marcha atrás. Siempre mire hacia atrás cuando se desplaza en marcha atrás. No se recomienda cortar el césped en marcha atrás.

1. Mueva las dos palancas de control de la transmisión de barras de seguridad lenta y uniformemente hacia atrás. El tractor comenzará a moverse hacia atrás. Consulte la Figura 22.
2. A medida que las palancas de control de la transmisión de barras de seguridad se empujan más hacia atrás, aumenta la velocidad del tractor.
3. Para que el tractor se desplace más lentamente, mueva las palancas de control de la transmisión de barras de seguridad hacia adelante hasta alcanzar la velocidad deseada, o coloque las palancas de control de transmisión de barras de seguridad en la posición de punto muerto para detener el tractor.

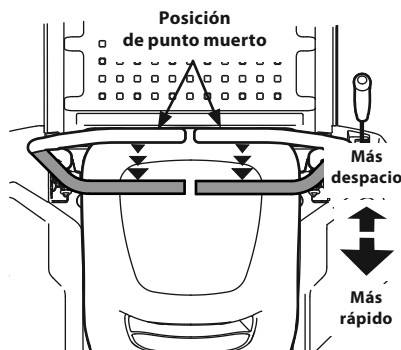
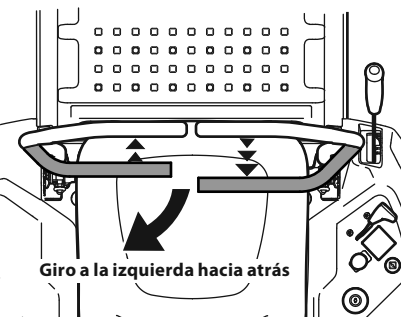


Figura 22

Realizar un giro mientras se conduce marcha atrás

Para que el tractor gire mientras se desplaza hacia atrás, mueva las palancas de control de la transmisión de barras de seguridad según sea necesario para que una palanca de control de la transmisión quede más adelante que la otra. El tractor girará en la dirección de la palanca de control de la transmisión de barras de seguridad de marcha hacia adelante.

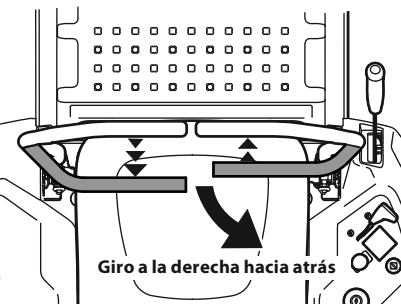
1. Para girar a la izquierda mientras se desplaza marcha atrás, mueva la palanca de control del lado izquierdo hacia adelante respecto de la palanca derecha. Consulte la Figura 23.



Giro a la izquierda hacia atrás

Figura 23

2. Para girar a la derecha mientras se desplaza marcha atrás, mueva la palanca de control del lado derecho hacia adelante respecto de la palanca de control de la transmisión izquierda. Consulte la Figura 24.



Giro a la derecha hacia atrás

Figura 24

Cuanto mayor sea la distancia entre las dos palancas de control de la transmisión de barras de seguridad, más cerrado será el giro que dará el tractor.

3. Para realizar un "giro de pivote", mueva la palanca de control de la transmisión del lado de giro a la posición de punto muerto, mientras mueve la otra palanca de control de la transmisión hacia atrás.

Nota: Los "giros de pivote" sobre el pasto aumentan significativamente el potencial de que se deteriore el césped.

Giro de radio cero

1. Detenga el movimiento del tractor hacia adelante o hacia atrás colocando las dos palancas de control de la transmisión de barras de seguridad en punto muerto.
2. Para girar en el sentido de las agujas del reloj, mueva la palanca de control de la transmisión de la barra de seguridad izquierda hacia adelante mientras mueve simultáneamente la palanca de control de la transmisión de la barra de seguridad derecha hacia atrás. Consulte la Figura 25.
3. Para girar en sentido contrario a las agujas del reloj, mueva la palanca de control de la transmisión de la barra de seguridad derecha hacia adelante mientras mueve simultáneamente la palanca de control de la transmisión de la barra de seguridad izquierda hacia atrás. Consulte la Figura 26.

Giro de radio cero hacia la derecha

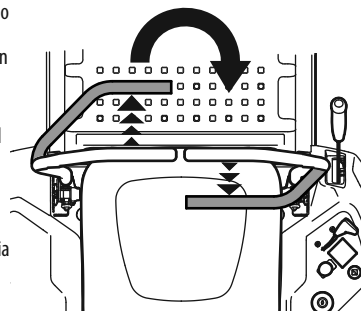


Figura 25

Giro de radio cero hacia la izquierda

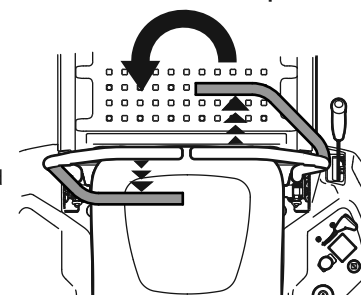


Figura 26

Detención del tractor

1. Mueva las dos palancas de control de la transmisión de barras de seguridad a la posición de punto muerto para detener el movimiento del tractor.
2. Empuje la PTO hacia abajo, hasta la posición OFF (apagado).
3. Use la manija/perilla de elevación de la plataforma para levantar la plataforma a su posición más alta.
4. Si desea bajarse del tractor, mueva las palancas de control de la transmisión de barras de seguridad totalmente hacia afuera hasta la posición de punto muerto, lo cual también acciona el freno de mano, mueva el acelerador a la posición FAST (rápido), gire la llave hasta la posición STOP (detención) y retírela del módulo de encendido.

⚠ ADVERTENCIA

No abandone el asiento del tractor sin desenganchar la toma de fuerza (PTO) y sin colocar las palancas de control de la transmisión de barras de seguridad totalmente hacia afuera en la posición de freno de mano aplicado. Si deja el tractor sin vigilancia, gire la llave de contacto hasta la posición STOP (detención) y retírela.

Conexión de la toma de fuerza (PTO)

Alconectar la toma de fuerza (PTO) se suministra alimentación a la plataforma de corte o a otros accesorios (disponibles por separado). Para conectar la PTO:

1. Mueva el acelerador a la posición FAST (detención).
2. Tire del interruptor de la PTO hacia arriba/afuera a la posición de activación (ON).

Nota: Cuando haga funcionar el tractor asegúrese de que el acelerador esté siempre en la posición FAST (rápido). El funcionamiento con el acelerador a menos de máxima velocidad puede acortar la vida útil de la batería y producir un corte de mala calidad.

3. Para desactivar la PTO, presione el interruptor de la PTO para abajo/adentro a la posición de desactivación (OFF).

FUNCIONAMIENTO

Corte de césped

⚠ ADVERTENCIA

Para ayudar a evitar el contacto con las cuchillas o una lesión por algún objeto que sea arrojado, mantenga a las personas que lo observan, a los ayudantes, niños y mascotas alejados al menos 25 metros de la máquina mientras está en funcionamiento. Pare la máquina si alguien ingresa a la zona.

⚠ ADVERTENCIA

Asegúrese de que el área donde se va a cortar esté libre de desechos, ramitas, piedras, cables u otros objetos que puedan ser arrojados por las cuchillas rotativas.

Nota: no enganche la plataforma de la cortadora cuando esté baja sobre el pasto. Se produce el desgaste prematuro y la posible falla de la correa en "V" y del embrague de la PTO. Antes de activar la plataforma de corte, levante totalmente la plataforma o lleve la máquina a un área donde no haya césped.

- Corte de forma transversal a la pendiente, no hacia arriba ni hacia abajo. Si corta el césped en pendiente, comience por la base y desplácese hacia arriba para asegurar que siempre se gire cuesta arriba.
- No corte a alta velocidad absoluta, especialmente si tiene instalado un kit de abono o un colector de césped.
- No corte el césped demasiado corto. El césped corto fomenta el crecimiento de maleza y se pone amarillo rápidamente cuando escasea la lluvia.
- Siempre haga funcionar el tractor con el regulador en la posición FAST (rápido) mientras corta el césped.
- Al realizar la primera pasada elija un punto del lado opuesto del área a cortar. Siga el punto para mantener una línea recta.
- Active la toma de fuerza (PTO) y mueva el control del acelerador p del acelerador/cebador a la posición FAST (rápido).
- Baje la plataforma de corte al ajuste de altura deseado.
- Para obtener los mejores resultados, se recomienda realizar las dos primeras vueltas de corte con la descarga hacia el centro. Después de las dos primeras pasadas, cambie la dirección para arrojar la descarga hacia afuera, para equilibrar el corte. Esto otorgará un mejor aspecto al césped.
- Empuje las palancas de control de la transmisión de la barra de seguridad derecha e izquierda lenta y uniformemente hacia adelante para que el tractor avance hacia adelante, y mantenga la orientación del tractor en línea recta hacia el punto de alineación.

Nota: La velocidad del tractor afecta la calidad del corte que realiza la cortadora. Si realiza el corte a máxima velocidad la calidad se ve afectada negativamente. Controle la velocidad absoluta con las palancas de control de la transmisión de barras de seguridad.

- Su tractor fue diseñado para cortar césped residencial normal, con una altura no mayor de 10" (25 cm). No intente cortar césped demasiado crecido, seco (como un pastizal) ni pilas de hojas secas. El césped o las hojas que estén secos pueden entrar en contacto con el escape del motor y/o acumularse en el tractor.
- NO intente cortar malezas frondosas o césped sumamente alto. El tractor fue diseñado para cortar el césped, NO para podar malezas.
- Mantenga las cuchillas afiladas y cámbielas cuando se gasten.
- Cuando se acerque al otro extremo de la franja, reduzca la velocidad o deténgase antes de girar. Se recomienda realizar un giro en U a menos que sea necesario realizar un giro de radio cero.
- Alinee la cortadora de césped con un borde de la franja cortada y superponga la pasada aproximadamente 3" (7.6 cm).
- Oriente el tractor en cada franja subsiguiente de modo que se alinee con la franja ya cortada.
- Para evitar la formación de surcos o ranuras en el césped, en lo posible varíe la dirección de las franjas de corte aproximadamente 45° para el siguiente corte y en cada corte subsiguiente.

Siempre que detenga el tractor por cualquier razón en un área de césped, haga lo siguiente:

- Mueva las palancas de control de la transmisión de barras de seguridad del lado derecho e izquierdo completamente hacia afuera hasta la posición de freno de mano activado.
- Apague el motor y retire la llave.
- Eso permitirá reducir al mínimo la posibilidad de que su césped resulte "quemado" por el escape caliente del motor en funcionamiento.

SERVICIO Y MANTENIMIENTO

PROGRAMA DE MANTENIMIENTO

ADVERTENCIA

Antes de realizar cualquier tipo de mantenimiento o servicio, desactive todos los controles y detenga el motor. Espere a que se detengan completamente todas las piezas móviles. Desconecte el cable de la bujía y póngalo haciendo masa contra el motor para evitar que se encienda accidentalmente. Utilice siempre anteojos de seguridad durante el funcionamiento o mientras ajusta o repara este equipo.

Siga el cronograma de mantenimiento que se presenta a continuación. En esta tabla sólo describen pautas de servicio. Utilice la columna Registro de Servicio para hacer el seguimiento de las tareas de mantenimiento completadas.

Consulte el Manual del operador del motor para obtener información sobre las tareas de mantenimiento del motor que se enumeran en la tabla a continuación.

	Antes de cada uso	Después de las primeras 5 horas	Cada 10 horas	Cada 25 horas	Cada 50 horas	Cada 100 horas	Cada 200 horas	Antes de almacenar	Consulte el Manual del motor
Verifique/limpie los filtros de admisión y los ventiladores de refrigeración #	✓							✓	
Verifique/limpie el colector de escape, el tubo del silenciador y los protectores del silenciador #	✓							✓	
Verifique/limpie la parte de arriba y de abajo de la plataforma y debajo y alrededor de las cubiertas del husillo y del área de la correa #	✓							✓	
Verifique/limpie alrededor de los fusibles, el cableado y los arneses de cables #	✓							✓	
Verifique/limpie alrededor de la transmisión, el eje y los ventiladores #	✓							✓	
Verifique/Agregue/Cambie el líquido para transmisión según sea necesario							✓		
Revise si el filtro de aire está sucio, flojo o tiene piezas dañadas	✓								
Controle el nivel de aceite del motor	✓								
Limpie los terminales de la batería			✓					✓	
Engrase todos los puntos de lubricación			✓					✓	
Revise el filtro de admisión del motor/limpie si corresponde			✓					✓	
Revise las cuchillas/afile o reemplace si corresponde			✓					✓	
Revise la presión de los neumáticos			✓					✓	
Revise/limpie la parte de abajo de la plataforma			✓						
Revise el sistema de interbloqueo de seguridad			✓					✓	
Revise el tiempo de parada de las cuchillas de la cortadora de césped			✓					✓	
Inspeccione y lubrique las ruedas de la plataforma				✓				✓	
Revise el nivel/la inclinación de la plataforma				✓				✓	
Revise las correas y poleas viendo si están dañadas/gastadas					✓				
Compruebe que todos los herrajes están en su lugar y asegurados						✓			
Compruebe el par de ajuste del perno de montaje del motor (Ajuste hasta 325-450 pulgadas-libras (37-50 N-m))		✓			✓			✓	✓
Compruebe el par de ajuste de la tuerca de montaje de las cuchillas (Ajuste hasta 70-90 pies-libras (95-122 N-m))		✓			✓			✓	
Controle el estado y la separación de la bujía de encendido						✓		✓	✓
Cambio del aceite de asentamiento del motor		✓							✓
Cambie el aceite del motor					✓			✓	✓
Controle el sistema de combustible (circuitos, depósito, tapón, accesorios)		✓			✓			✓	✓
Controle el dispositivo amortiguador de chispas		✓			✓			✓	✓
Reemplace el filtro de aceite					✓			✓	✓
Limpie o cambie el filtro de aire					✓				✓
Reemplace el filtro de combustible					✓				✓
Haga revisar y ajustar la holgura de la válvula *									✓

* -- Solicite a un distribuidor de servicio autorizado que realice este servicio

-- Realice esta acción con mayor frecuencia en condiciones de sequía y/o cuando haga abono

SERVICIO Y MANTENIMIENTO

Nota: Este manual del operador corresponde a varios modelos. Las características del tractor pueden variar según los modelos. No todas las características que se incluyen en este manual se aplican a todos los modelos de tractor y la máquina que se ilustra aquí puede diferir de la suya.

Cuidado del tractor posterior al funcionamiento

Después de cada vez que se usa el tractor, a fin de asegurar condiciones seguras de funcionamiento, consulte la tabla del Cronograma de mantenimiento en este manual para una atención adecuada del tractor.

⚠ ADVERTENCIA

Si no se siguen estas recomendaciones, usted u otras personas pueden sufrir lesiones graves, o pueden producirse daños en el tractor.

Limpieza de la parte inferior de la plataforma

Sistema de lavado de plataforma

La plataforma de su tractor está equipada con un puerto de agua sobre su superficie como parte del sistema de lavado de la plataforma.

Utilice el sistema Deck Wash System (Sistema de lavado de la plataforma) para lavar la parte inferior de la plataforma y quitar los restos de césped recortado e impedir la acumulación de sustancias químicas corrosivas. Realice los siguientes pasos **DESPUÉS DE CADA CORTE DE CÉSPED**:

1. Una el adaptador del pico a una manguera de jardín estándar conectada al suministro de agua.
2. Mueva el tractor a un lugar dentro del alcance de la manguera donde se puedan desechar los recortes de césped húmedos. Desconecte la toma de fuerza (PTO), aplique el freno de mano y detenga el motor.
3. Tire del collarín de ajuste (a) del adaptador del pico (b) hacia atrás y empuje el adaptador del pico sobre el pico de lavado de la plataforma (c). Suelte el collarín de ajuste para trabar el adaptador del pico en el pico de lavado de la plataforma. Consulte la Figura 27.
4. Abra el suministro de agua.
5. Desde el asiento del operador del tractor, encienda el motor y enganche la toma de fuerza (PTO). Deje funcionar según sea necesario. Desactive la toma de fuerza (PTO) y detenga el motor.
6. Cierre el suministro de agua.
7. Tire del collarín de ajuste del adaptador del pico hacia atrás para desconectar el adaptador del pico del pico de lavado de la plataforma.

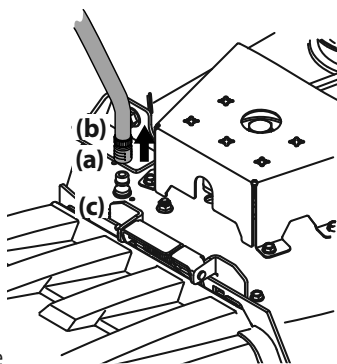


Figura 27

Limpieza del tractor

⚠ ADVERTENCIA

Si el tractor ha estado en funcionamiento recientemente, el motor, el silenciador y las superficies metálicas circundantes estarán muy calientes y pueden causar quemaduras en la piel. Deje que el motor se enfríe durante al menos cinco minutos. Tenga precaución para evitar quemaduras.

El tractor se debe limpiar después de cada uso y bajo ciertas condiciones; es decir, en condiciones secas y/o cuando se haga abono, puede ser necesario realizar limpiezas adicionales.

Una de las mejores maneras de mantener el funcionamiento eficiente de su tractor y reducir el riesgo de incendio es eliminar regularmente la acumulación de desechos del tractor. Siga las recomendaciones a continuación y contacte a su distribuidor autorizado si tiene alguna pregunta.

- Deje que la máquina se enfríe al menos cinco minutos en un área abierta antes de limpiarla.

Nota: No se recomienda el uso de una lavadora de presión ni de una manguera de jardín para limpiar el tractor, excepto para limpiar la parte inferior de la plataforma. Puede dañar los componentes eléctricos, los husillos, las poleas, los rodamientos o el motor. El uso de agua acortará la vida útil de la máquina y reducirá su capacidad de servicio.

- Mantenga ambos lados de las ranuras de enfriamiento de la transmisión, el colector de escape, alrededor de los fusibles, todo el cableado y los arneses de cables, el tubo del silenciador, el protector del silenciador, los filtros de admisión del motor y las aletas de refrigeración, etc. libres de residuos de pasto y hojas. Consulte la Figura 28.

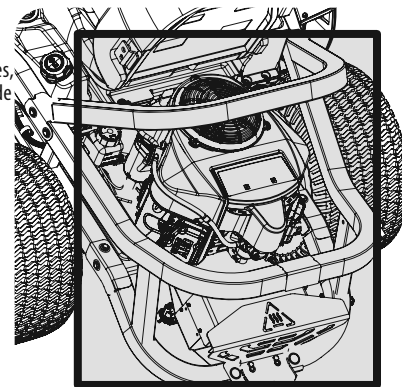


Figura 28

- Limpie la parte superior de la plataforma de corte, debajo de las cubiertas del husillo y del área de la correa. Consulte la Figura 29.

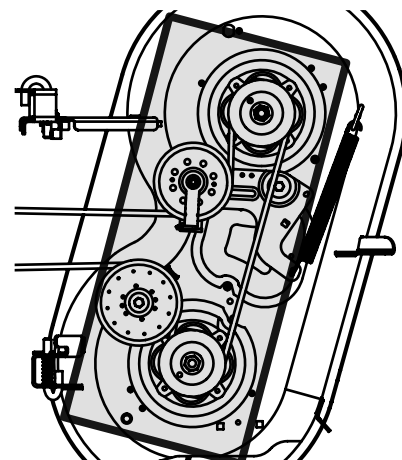
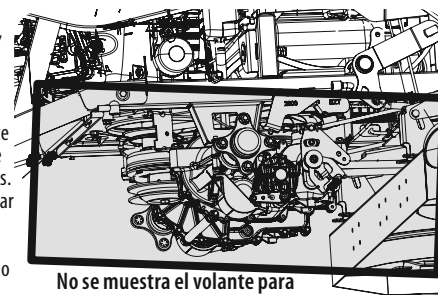


Figura 29

- Limpie alrededor y cerca del área de la transmisión, del eje y del ventilador. Consulte la Figura 30.
- Se pueden acumular residuos en cualquier parte del tractor, especialmente en superficies horizontales. Puede ser necesario realizar una limpieza adicional cuando corte césped en condiciones secas o cuando haga abono.



No se muestra el volante para mayor claridad.

Figura 30

- Las fugas y los derrames de combustible o de aceite y la lubricación excesiva también pueden convertirse en lugares de acumulación de residuos. La reparación de las fugas y la limpieza inmediata de los derrames de aceite o de combustible pueden ayudar a reducir los riesgos de incendio.
- Además de limpiar el tractor antes de utilizarlo y antes de guardarlo, no intente cortar césped demasiado crecido (de 10" [25.4 cm] o más de altura), seco (como un pastizal) ni pilas de hojas secas. El césped o las hojas secas pueden entrar en contacto con el escape del motor y/o acumularse en la plataforma de corte presentando un potencial peligro de incendio.

SERVICIO Y MANTENIMIENTO

Almacenaje del tractor

- Deje que la máquina se enfríe en un lugar abierto al menos cinco minutos antes de almacenarla.
- No estacione el tractor cerca de cualquier material inflamable (madera, ropa o productos químicos) o de llamas abiertas o cualquier otra fuente de ignición (hornos, calentadores de agua u otros tipos de calefactores).
- Quite todos los materiales combustibles del tractor antes de guardarlo. Vacíe las cajas de carga y los colectores o contenedores de césped.
- Si el tractor está equipado con una válvula de corte de combustible, interrumpa siempre el flujo de combustible cuando almacene o transporte el tractor.
- Verifique el sistema de combustible (circuitos, el depósito, el tapón y los accesorios) de acuerdo con el cuadro de mantenimiento para ver si hay grietas o pérdidas. Repárelos y límpielos según sea necesario.

Mantenimiento

Extracción del panel del piso (si está equipado)

⚠ ADVERTENCIA

No opere el tractor si se extrajo el panel del piso.

En algunos modelos se puede extraer el panel del piso para el mantenimiento, las reparaciones y la limpieza. Para extraer el panel del piso:

1. Con una herramienta para usos múltiples (si está equipada) o una llave de cubo de 1/2", extraiga el tornillo de cabeza hexagonal (a) que sujeta el panel del piso en su lugar. Consulte 1 en la Figura 31.1.
2. Levante con cuidado la parte trasera del panel del piso. Consulte 2 en la Figura 31.
3. Para liberar el frente del panel del piso, deslícelo hacia atrás. Consulte 3 en la Figura 31.
4. Levántelo para separarlo del tractor. Consulte 4 en la Figura 31.
5. Para colocar el panel del piso nuevamente en el tractor, vuelva a colocarlo con atención en su lugar y vuelva a colocar el tornillo de cabeza hexagonal que se extrajo en el paso 1. 1. Con una herramienta para usos múltiples (si está equipada) o una llave de cubo de 1/2", extraiga el tornillo de cabeza hexagonal (a) que sujeta el panel del piso en su lugar. Consulte 1 en la Figura 31.1. Ajuste hasta 108-132 pulgadas-libras (12-15 N-m).

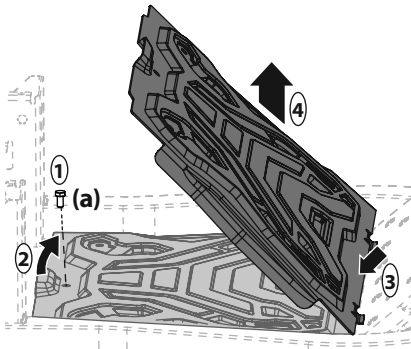


Figura 31

Motor

⚠ ADVERTENCIA

Deje que la máquina se enfríe en un lugar abierto al menos cinco minutos antes de almacenarla o de volver a cargarle combustible.

Consulte las instrucciones y procedimientos de mantenimiento del motor en el Manual del Operador del motor.

Nota: el mantenimiento, la reparación o el reemplazo de los dispositivos y de los sistemas de control de emisiones que se estén realizando por cuenta del propietario pueden ser llevados a cabo por cualquier individuo o establecimiento especializados en reparación de motores. Los arreglos en garantía deben ser realizados por distribuidor autorizado.

Cambio de aceite del motor

⚠ ADVERTENCIA

Si el tractor ha estado en funcionamiento recientemente, el motor, el silenciador y las superficies metálicas circundantes estarán muy calientes y pueden causar quemaduras en la piel. Deje que el motor se enfríe durante al menos cinco minutos. Tenga precaución para evitar quemaduras.

Nota: el filtro de aceite se debe cambiar en cada intervalo de cambio de aceite.

Para realizar el cambio de aceite, proceda de la siguiente manera:

1. Ubique la manguera de drenaje de aceite (a) en el costado del motor.
2. Para recoger el aceite usado, coloque un recipiente adecuado para recolectar el aceite, con al menos una capacidad de 2.5 cuartos de galón (2.37 litros), debajo de la abertura del tubo de drenaje de aceite. Retire el tapón de llenado de aceite/la varilla de nivel de aceite (b) del tubo de llenado.
3. Mientras sostiene el extremo libre de la manguera de drenaje de aceite sobre el recipiente de recolección de aceite, desenrosque el tapón con cabeza cuadrada de la manguera (c) del extremo de la manguera de drenaje de aceite. Consulte la Figura 32. Drene el aceite del motor dentro del recipiente recolector.
4. Una vez que haya drenado el aceite, limpie el aceite residual de la manguera de drenaje de aceite. Enrosque el tapón con cabeza cuadrada de la manguera en el accesorio de la manguera de drenaje de aceite, y ajuste dicho tapón hasta 16 pies-libras. (22 N-m).
5. Extraiga el filtro de aceite (d) y drene en el recipiente recolector.
6. Vuelva a colocar el filtro de aceite (d) y cargue el motor con aceite nuevo según las instrucciones del Manual del operador del motor.

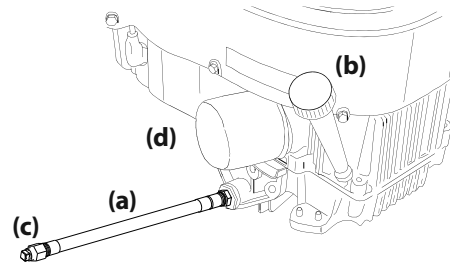


Figura 32

Nota: Coloque una toalla absorbente debajo del filtro de aceite para mantener el aceite fuera del embrague.

Nota: Respete las normas y reglamentaciones sobre la manera correcta de desechar gasolina, aceite, etc. para proteger el medio ambiente.

Nota: el mantenimiento, la reparación o el reemplazo de los dispositivos y de los sistemas de control de emisiones que se estén realizando por cuenta del propietario pueden ser llevados a cabo por cualquier individuo o establecimiento especializados en reparación de motores. Los arreglos en garantía deben ser realizados por un distribuidor autorizado.

Lubricación

⚠ ADVERTENCIA

Antes de lubricar, reparar o inspeccionar, desconecte siempre la toma de fuerza (PTO), ponga el freno de mano, pare el motor y retire la llave, para evitar el encendido accidental del motor.

- Con un aceite lubricante de buena calidad, lubrique todos los puntos de lubricación. Consulte la tabla del Cronograma de mantenimiento que figura en este manual para conocer los intervalos de mantenimiento adecuados.

Mantenimiento del dispositivo contra chispas (si está equipado)

Los conjuntos de dispositivos contra chispas se deben inspeccionar y limpiar periódicamente (consulte la tabla del intervalo de mantenimiento que figura en este manual). Inspeccione visualmente el filtro para detectar roturas, cables rotos o soldaduras sueltas. Vuelva a colocar el conjunto del dispositivo contra chispas si existen algunas de estas condiciones. Si la pantalla está en buenas condiciones, limpie la pantalla cepillando para sacar la suciedad o las partículas de carbono sueltas.

Neumáticos

Mantenga los neumáticos inflados a las presiones recomendadas. El inflado inadecuado de un neumático reduce su vida útil. Consulte los laterales de los neumáticos para averiguar las presiones de inflado adecuadas. Consulte la tabla del Cronograma de mantenimiento que figura en este manual para conocer los intervalos de mantenimiento adecuados.

Respete las siguientes pautas:

- No infle los neumáticos por encima de la presión máxima que se muestra en el lateral del neumático.
- No vuelva a inflar un neumático que se ha utilizado desinflado o desinflado en extremo. Un gomero calificado debe inspeccionar y reparar el neumático.

SERVICIO Y MANTENIMIENTO

Transmisión hidrostática

Su tractor de radio de giro cero está equipado con dos transejes/bombas hidrostáticas. Algunos modelos están equipados con un depósito de expansión de aceite de transmisión. En condiciones operativas normales, no es necesario controlar el nivel de aceite de los depósitos de expansión y no hace falta aceite adicional.

Procedimiento para controlar y agregar aceite de transmisión

⚠ ADVERTENCIA

Controle el nivel de aceite ÚNICAMENTE antes de arrancar el tractor cuando el aceite de transmisión está totalmente refrigerado.

1. Limpie la tapa del depósito y el área que la rodea para evitar que el aceite de transmisión se contamine con partículas. Consulte la Figura 33.
2. Gire la tapa del depósito en sentido contrario al de las agujas del reloj para retirarla, luego controle el nivel de aceite del depósito. El aceite debe ser visible en la base de la cubeta, pero el nivel del mismo NO debe estar por encima de la línea de "LLENO FRÍO". Consulte la Figura 33. NO LLENE EL DEPÓSITO.
3. Si es necesario agregar aceite a causa de algún tipo de pérdida, use aceite para motor de calidad 20W50 y agregue solamente la cantidad suficiente para llevar el nivel a la línea de "LLENO FRÍO". Vuelva a colocar la tapa y ajústela completamente.

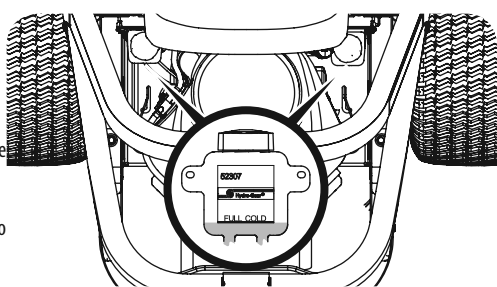


Figura 33

Nota: antes del funcionamiento inicial del tractor, el nivel de aceite del depósito puede estar levemente por encima del máximo debido a la presencia de aire en los circuitos de aceite. El funcionamiento del tractor finalmente purgará el aire de los circuitos y el nivel de aceite se estabilizará en el máximo.

4. Repita este proceso para la otra transmisión.

Cambio del aceite y del filtro de la transmisión (si está equipado)

Nota: consulte la tabla del Cronograma de mantenimiento que figura en este manual para conocer los intervalos de mantenimiento adecuados.

Para cambiar el aceite de la transmisión:

1. Extraiga el tapón del depósito de expansión de aceite transmisión. Consulte la Figura 33.
2. Extraiga los tres tornillos de la protección del filtro (a) y la protección del filtro (b). Limpie los residuos sueltos que haya alrededor del filtro (c). Consulte la Figura 34.
3. Coloque una bandeja para el drenaje de aceite con 8 cuartos (7.6 litros) de capacidad por debajo del filtro.
4. Extraiga el filtro.
5. Cuando deja de salir aceite, limpie la base del filtro y aplique una capa delgada de aceite limpio en la base del filtro.
6. Vuelva a instalar la protección del filtro.
7. Extraiga el tapón del orificio superior (d) de los transejes para permitir que se purguen durante el llenado. Consulte la Figura 34.
8. Con aceite para motor 20W50 de gran calidad, llene lentamente los transejes hasta que aparezca aceite en el orificio superior de los transejes.

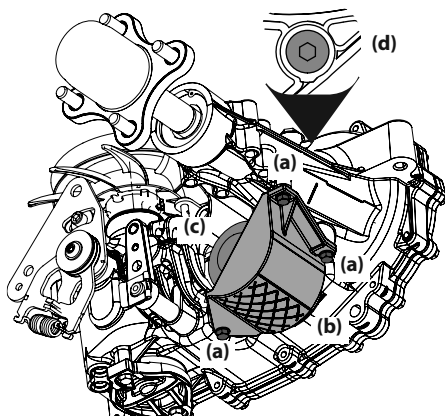


Figura 34

9. Vuelva a colocar los tapones de los orificios superiores. Ajuste hasta 180 pulgadas-libras (20.3 N-m) y siga llenando hasta llegar a la línea "LLENO FRÍO".
10. Vuelva a colocar el tapón del depósito y ajuste completamente.
11. Repita el proceso para la otra transmisión.
12. Cuando reemplace el aceite de la transmisión, se debe realizar un procedimiento de "purga" para eliminar el aire del sistema. El procedimiento se debe realizar con las ruedas traseras separadas del suelo o en un lugar donde no haya observadores ni objetos. Para realizar el procedimiento de purga:
 - a. Desactive el freno, abra la válvula de derivación y arranque el tractor.
 - b. Mueva el tractor marcha adelante y atrás 5 a 6 veces.
 - c. Verifique el nivel del aceite y agregue más de ser necesario.
 - d. Repita los pasos a-c hasta que los transejes funcionen con niveles de ruido normales y velocidades normales.

Almacenamiento fuera de temporada

Si el tractor no va a funcionar por un período prolongado (treinta días o más), se lo debe preparar para el almacenamiento. Guarde el tractor en un lugar seco y protegido. Si lo guarda afuera, cúbralo (incluidos los neumáticos) para protegerlo de los fenómenos climáticos. Cada vez que almacena el tractor se deben realizar los procedimientos que se describen más abajo.

1. Cambie el aceite y el filtro del motor siguiendo las instrucciones suministradas en este manual, como así también el manual del motor embalado con este tractor.

⚠ ADVERTENCIA

Nunca guarde el tractor con combustible en el depósito en un lugar cerrado o con escasa ventilación, donde los gases del combustible pueden alcanzar llamas abiertas, chispas o una luz piloto como la de un horno, calentador de agua, secador de ropa, etc.

2. Si guarda el tractor por 30 días o más:
 - a. Para evitar que se formen depósitos de goma dentro del carburador del motor y posibles desperfectos en el motor, el sistema de combustible debe ser vaciado completamente, o se debe tratar la gasolina con un estabilizador para evitar el deterioro.
 - b. Uso de un estabilizador de combustible para almacenamiento de entre 30 y 90 días:
 - Lea las instrucciones y recomendaciones del fabricante del producto.
 - Agregue a la gasolina limpia y nueva la cantidad correcta de estabilizador según la capacidad (aproximadamente 3 galones) del sistema de combustible.
 - Llene el depósito de combustible con combustible tratado y haga funcionar el motor 2-3 minutos para estabilizar el combustible dentro del carburador.
 - El combustible que queda en el depósito se deteriora y causa graves problemas de arranque.
 - c. Vaciado del sistema de combustible para almacenamiento de más de 90 días:
 - Antes de guardar el tractor, observe el consumo de combustible a los efectos de hacer funcionar el tractor hasta que el depósito esté vacío.
 - Haga funcionar el motor hasta que comience a detenerse. Use el cebador para mantener el motor en funcionamiento hasta que se haya agotado todo el combustible del carburador.
 - Drene el combustible del recipiente del carburador, consultando el manual del motor.
 3. Limpie perfectamente el motor y todo el tractor.

Nota: no se recomienda el uso de una lavadora de presión ni de una manguera de jardín para limpiar el tractor, excepto para limpiar la parte inferior de la plataforma. Puede dañar los componentes eléctricos, los husillos, las poleas, los rodamientos o el motor. El uso de agua acortará la vida útil de la máquina y reducirá su capacidad de servicio.
 4. Cargue totalmente la batería, luego desconecte el cable negativo de la batería para evitar posibles descargas. Vuelva a cargar la batería periódicamente durante el almacenamiento.
- Nota:** retire la batería si está expuesta a períodos prolongados de temperaturas inferiores al congelamiento. Guarde en un lugar fresco y seco, donde las temperaturas estén por encima del punto de congelamiento.
5. Lubrique todos los puntos de lubricación.

SERVICIO Y MANTENIMIENTO

Retiro del tractor del lugar de almacenamiento

1. Inspeccione el aceite del motor.
2. Cargue totalmente la batería e infle los neumáticos a la presión recomendada. Consulte los laterales de los neumáticos para averiguar las presiones de inflado adecuadas.
3. Llene el depósito de combustible con gasolina limpia y nueva.
4. Arranque el motor y déjelo andar en ralentí unos cuantos minutos para asegurar que su funcionamiento sea adecuado.
5. Conduzca el tractor sin carga para estar seguro de que todos los sistemas del tractor funcionan correctamente.

Ajustes

Nivelación de la plataforma

Si la plataforma de corte estuviera realizando el corte de césped de forma despareja, puede realizarse el ajuste de nivelación.

⚠ ADVERTENCIA

Si el tractor ha estado en funcionamiento recientemente, el motor, el silenciador y las superficies metálicas circundantes estarán muy calientes y pueden causar quemaduras en la piel. Deje que el motor se enfríe durante al menos cinco minutos. Tenga precaución para evitar quemaduras.

Nivelación de la plataforma (de lado a lado)

1. Coloque la manija de elevación de la plataforma o la perilla de elevación de la plataforma en la posición intermedia de corte y gire ambas cuchillas exteriores para que queden perpendiculares al tractor.
2. Mida la distancia desde la parte externa de la punta de la cuchilla izquierda hasta el piso, y desde la parte externa de la punta de la cuchilla derecha hasta el piso. Las dos mediciones obtenidas deben ser iguales. Si no lo son, prosiga al paso siguiente.
3. Ubique los pernos de ajuste (a) del lado izquierdo y derecho de la plataforma. Consulte 3. Ubique los pernos de ajuste (a) del lado izquierdo y derecho de la plataforma. Consulte 3. Ubique los pernos de ajuste (a) del lado izquierdo y derecho de la plataforma. Consulte la Figura 35.5.
4. Afloje pero no extraiga las contratuerzas (b) en el perno de ajuste. Ajuste el perno de ajuste derecho o izquierdo arriba o abajo según sea necesario hasta que la altura de un lado a otro sea equivalente. Consulte 3. Ubique los pernos de ajuste (a) del lado izquierdo y derecho de la plataforma. Consulte 3. Ubique los pernos de ajuste (a) del lado izquierdo y derecho de la plataforma. Consulte la Figura 35.

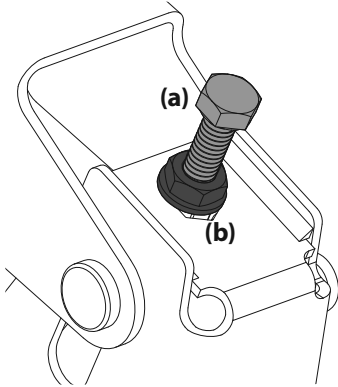


Figura 35

Nota: siga verificando la nivelación de adelante hacia atrás a medida que realiza el ajuste de un lado a otro, ya que este ajuste puede afectar la nivelación de adelante hacia atrás. Si fuera necesario, ajuste la nivelación de adelante hacia atrás como se indicó previamente.

5. Cuando se logra el ajuste correcto, vuelva a apretar la contratuerca (b). Ajuste hasta 57 pies-libras (77.3 N-m).

Nivelación de la plataforma (inclinación/de adelante hacia atrás)

La parte delantera de la plataforma debe estar entre $\frac{1}{16}$ - $\frac{1}{4}$ " (2-6 mm) más abajo que la parte trasera de la plataforma. De ser necesario, realice un ajuste de la siguiente manera:

1. Estacione el tractor sobre una superficie firme y nivelada, y coloque la manija de elevación de plataforma o la perilla de elevación de la plataforma en una posición intermedia.
2. Rote la cuchilla lo más cerca posible del canal de descarga de manera que esté en paralelo con el tractor.
3. Mida la distancia desde la parte delantera de la punta de la cuchilla hasta el suelo, y desde la parte posterior de la punta de la cuchilla hasta el suelo. La primera medición tomada debe ser de entre $\frac{1}{16}$ - $\frac{1}{4}$ " (2-6 mm) menos que la segunda medición.

4. Determine la distancia aproximada necesaria para un ajuste adecuado y, de ser necesario, proceda.

5. Para elevar el frente de la plataforma, extraiga la tapa de extremo, afloje la contratuerca exterior (a) y apriete (rosca hacia adentro) la tuerca interior (b) contra la ménsula de suspensión delantera. Consulte la Figura 36. Una vez alcanzado el ajuste adecuado, vuelva a ajustar la contratuerca exterior (a) y vuelva a colocar la tapa de extremo.

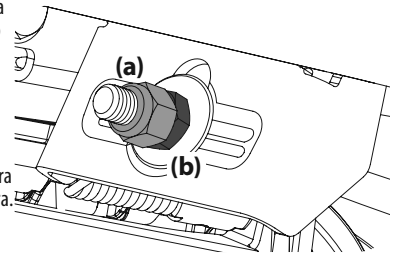


Figura 36

6. Para bajar el frente de la plataforma, extraiga la tapa de extremo, afloje la contratuerca exterior (a) y afloje (rosca hacia afuera) la tuerca interior (b) alejándola de la ménsula de suspensión delantera. Consulte la Figura 36. Cuando se logre el ajuste correcto, vuelva a apretar la contratuerca exterior (a) hasta 57 pies-libras. (77.28 N-m) y vuelva a colocar la tapa de extremo.

Ajuste de las ruedas de la plataforma

⚠ ADVERTENCIA

Mantenga las manos y los pies alejados de la abertura de descarga de la plataforma de corte.

Nota: Las ruedas de la plataforma constituyen un mecanismo para el cuidado del césped y no fueron diseñadas para soportar el peso de la plataforma de corte. Las ruedas de la plataforma deben estar aproximadamente entre $\frac{1}{4}$ - $\frac{1}{2}$ " (6.35-12.7 mm) por encima del nivel del suelo cuando la plataforma se fija en el valor de altura deseado. Para obtener instrucciones sobre cómo ajustar las ruedas de la plataforma consulte la sección Montaje y Configuración.

Ajuste de detención de las palancas de control de la transmisión de barras de seguridad

Cuando ambas palancas de control de la transmisión de barras de seguridad están completamente extendidas hacia adelante hasta la posición de velocidad máxima y el tractor se desplaza a la derecha o la izquierda, se puede regular el ajuste de detención de las palancas de control de la transmisión de barras de seguridad para sincronizar las velocidades de las ruedas. Para realizar el ajuste proceda de la siguiente manera:

1. Identifique el lado hacia el que se desplaza el tractor y ajuste la palanca de control de la transmisión de barras de seguridad del lado contrario. Si el tractor se desplaza hacia la derecha, ajuste la palanca de control de la transmisión de barras de seguridad izquierda abajo (reduzca la velocidad) y viceversa.
2. Ubique los pernos del ajuste de detención de las palancas de control de la transmisión de barras de seguridad (a) que están en el frente del marco del asiento. Consulte 2. Ubique los pernos del ajuste de detención de las palancas de control de la transmisión de barras de seguridad (a) que están en el frente del marco del asiento. Consulte la Figura 37.

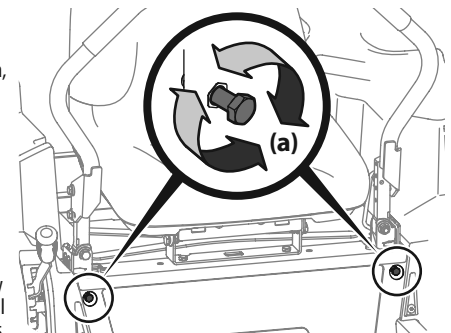


Figura 37

- Nota:** la herramienta para usos múltiples (si está equipada) se puede usar para hacer este ajuste.
3. Para reducir la velocidad de avance, gire los pernos del ajuste de detención de las palancas de control de la transmisión de barras de seguridad (a) en el sentido de las agujas del reloj. Para incrementar la velocidad de marcha hacia adelante, gire los pernos de ajuste de detención de las palancas de control de la transmisión de barras de seguridad (a) en el sentido contrario a las agujas del reloj. Gire los pernos de ajuste de detención de las palancas de control de la transmisión de barras de seguridad (a) en la dirección necesaria $\frac{1}{4}$ de giro por vez. Después de girar los pernos de ajuste de detención de las palancas de control de la transmisión de barras de seguridad (a), compruebe el ajuste manejando el tractor.
4. Continúe el ajuste hasta que las velocidades de las ruedas estén sincronizadas y el tractor circule en línea recta con las palancas de control de la transmisión completamente extendidas hacia adelante en la posición de velocidad máxima.

Nota: compruebe que los pernos se extiendan a través de las tuercas del bastidor para activar la función de bloqueo.

SERVICIO Y MANTENIMIENTO

Servicio

Sistema eléctrico

El tractor tiene instalado un fusible para proteger el sistema eléctrico de los daños causados por el exceso de amperaje. Siempre reemplace con fusibles de la misma capacidad. Si el sistema eléctrico no funciona, controle si hay un fusible quemado.

Si se repite el problema de los fusibles quemados, haga que el distribuidor de servicio autorizado de su localidad revise el sistema eléctrico del tractor.

Relés e interruptores

Hay varios interruptores de seguridad en el sistema eléctrico. Si una función del sistema de bloqueo de seguridad descrito antes no funciona adecuadamente, haga que el distribuidor de servicio autorizado revise el sistema eléctrico.

Ajuste del freno de mano

Si el tractor no se detiene por completo cuando se colocan las palancas de control totalmente hacia atrás enganchando el freno de mano, o si las ruedas traseras del tractor siguen rodando con el freno de mano colocado (y la válvula de descarga hidrostática abierta) el freno necesita un ajuste. Consulte al distribuidor de servicio autorizado para realizar un ajuste del freno.

Retiro de la plataforma

Retire la plataforma de corte del tractor de la siguiente forma:

1. Lleve el tractor a una superficie nivelada, desconecte la PTO, pare el motor y coloque las palancas de control de la transmisión del lado derecho e izquierdo completamente hacia afuera en la posición de freno de mano activado.
2. Hay dos métodos para extraer la correa, para extraer la correa aflojando la tensión de la correa prosiga al paso 3, para extraer la correa haciéndola rodar fuera de la polea de la PTO, pase al paso 4.

⚠ ADVERTENCIA

Tenga cuidado de no pellizcarse los dedos cuando saca la correa de la polea de la PTO.

3. Para aflojar la tensión de la correa con la polea loca:
 - a. Usando la manija de elevación de la plataforma o el pedal y la perilla de elevación de la plataforma, levante la plataforma a la posición que le ofrece mayor recorrido horizontal de la correa entre las poleas locas de la plataforma y la polea de la PTO en la base del motor.

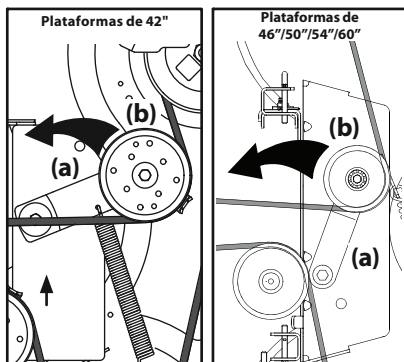


Figura 38

- b. Desde la parte media del tractor, haga girar el soporte de polea loca (a) y la polea loca móvil (b) hacia atrás, justo lo suficiente para levantar la correa, por encima de la polea del husillo. Consulte la Figura 38.
 - c. Desde abajo de la parte trasera del tractor, deslice la correa para sacarla de la polea de la toma de fuerza (PTO) en la base del motor.
 - d. Baje la plataforma a la posición de corte más baja.
 - e. Prosiga con el paso 5.
4. Para hacer rodar la correa para sacarla de la polea de la toma de fuerza (PTO):
 - a. Levante la plataforma a la posición que le ofrece mayor recorrido horizontal de la correa entre las poleas locas de la plataforma y la polea de la PTO en la base del motor.

- b. Sentado detrás del tractor, mirando hacia adelante, estire la mano debajo del tractor para agarrar la correa por delante de la polea de la PTO.
- c. Tire del lado izquierdo de la correa hacia atrás y hacia abajo mientras gira manualmente la polea de la PTO hacia la derecha hasta que la correa se deslice hacia afuera sobre el borde inferior de la polea.

Nota: si tira del lado derecho de la correa, gire la polea hacia la izquierda.

- d. Mientras sostiene la correa de la PTO (a) hacia abajo, siga girando la polea de la PTO (b) hasta que la correa de la PTO (a) se deslice fuera de la polea (b). Consulte la Figura 39.
- e. Baje la plataforma a la posición de corte más baja.
- f. Siga con el paso 5.

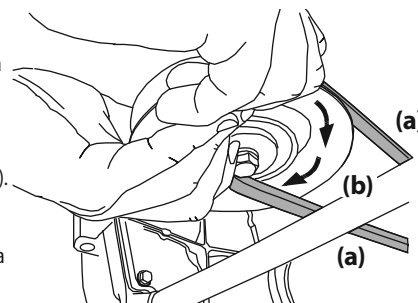


Figura 39

⚠ ADVERTENCIA

La elevación de la plataforma en los tractores con la perilla de elevación de plataforma se acciona con resorte y bajo tensión. Pueden ocurrir lesiones si la elevación de la plataforma accionada por resorte se suelta repentinamente. Use siempre la herramienta para usos múltiples para sujetar la elevación de la plataforma en su lugar.

5. En los tractores equipados con la perilla de elevación de la plataforma, use el pedal de elevación de la plataforma y la perilla de elevación de la plataforma para ubicar la plataforma en la posición más baja, y use la herramienta para usos múltiples (a) para bloquear los componentes de la elevación de la plataforma en su lugar como se muestra en la Figura 40. En tractores con una manija de elevación de la plataforma, baje la plataforma a la posición más baja.

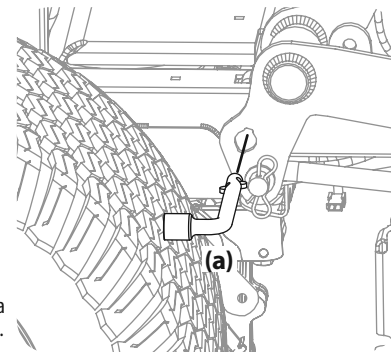


Figura 40

- a. Extraiga los dos pasadores con unión curva (a) de los pasadores de horquilla (b) que sujetan los soportes del varillaje de elevación (c) a los soportes traseros de elevación de la plataforma (d) en la plataforma. Extraiga los pasadores de horquilla (b). Consulte la Figura 41.

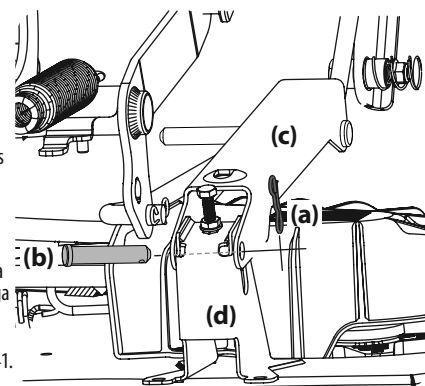


Figura 41

SERVICIO Y MANTENIMIENTO

- b. Extraiga el tercer pasador con unión curva (a) del pasador de horquilla (b) que sujeta la varilla de control de la plataforma delantera (c) al soporte delantero de elevación de la plataforma (d). Extraiga los pasadores de horquilla (b). Consulte la Figura 42.

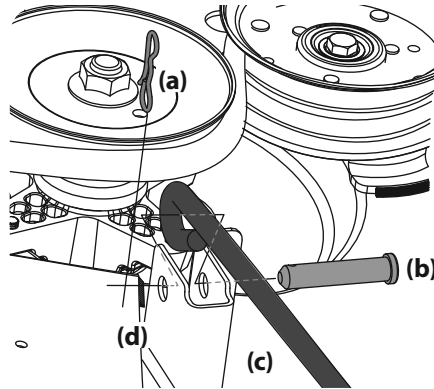


Figura 42

- c. Maniobre con atención la plataforma para sacarla de debajo del tractor.

Instalación de la plataforma

Instale la plataforma sobre el tractor de la siguiente forma:

1. Maniobre con atención la plataforma debajo del tractor desde el lado derecho, alineando las ménsulas de suspensión de la plataforma y los brazos de elevación de la plataforma en tractores con varilla de elevación de la plataforma/pasador de liberación de la plataforma, y alinee los soportes del varillaje de elevación y la varilla de control de la plataforma delantera con los soportes de elevación de la plataforma en tractores con tres pasadores.

2. Una vez que la plataforma esté debajo del tractor, mueva la plataforma a la posición de corte más baja.

Nota: para que los soportes se alineen adecuadamente puede ser necesario colocar un bloque de madera pequeño debajo de cada lado de la plataforma.

3. Vuelva a instalar los herrajes adecuados para su tractor.
4. Asegúrese de que la correa en "V" esté en las poleas del husillo de la plataforma, luego oriente la correa hacia atrás por debajo del bastidor del tractor, por encima de los tubos de transmisión, hacia la polea de la toma de fuerza (PTO) en la base del motor.
5. Levante la plataforma a la posición que le ofrece mayor recorrido horizontal de la correa entre las poleas locas de la plataforma y la polea de la PTO en la base del motor.
6. Asegúrese de que la correa esté en las poleas del husillo de la plataforma y que el lado trasero de la correa esté contra las poleas locas fija y móvil.
7. Sentado detrás del tractor, mirando hacia adelante, asegúrese de que la correa no esté retorcida; luego estire la mano debajo del tractor para agarrar la correa y tirar de la misma hacia la polea de la PTO.

⚠ ADVERTENCIA

Tenga cuidado de no pellizcarse los dedos cuando coloca la correa en la polea de la toma de fuerza.

8. Tire del lado derecho de la correa de la PTO hacia atrás y coloque el lado V angosto de la correa de la PTO en la polea de la PTO. Consulte la Figura 39.
9. Mientras sostiene la correa y la polea de la PTO juntas, gire la polea de la PTO hacia la izquierda (Vea la Figura 39). Siga sosteniendo y rotando la polea de la PTO y la correa de la PTO hasta que la correa de la PTO se enrolle totalmente en la polea de la PTO.

Nota: Antes de usar el tractor, compruebe la instalación de la correa para estar seguro de que la misma se ha colocado correctamente.

Cambio de la correa

1. Extraiga la plataforma de la parte inferior del tractor, (consulte la sección Extracción de la plataforma).
2. Afloje, pero no quite los herrajes de la polea loca a la derecha (a) y la izquierda (b). Consulte la Figura 43 para las plataformas de 42", la Figura 44 para las plataformas de 46" y la Figura 45 para las plataformas de 50", 54" y 60".

Nota: tome nota de la posición de la protección de correa (c) para asegurar que se haya vuelto a instalar de manera correcta.

Nota: en algunas plataformas puede ser necesario retirar las cubiertas de los husillos para sacar y/o instalar la correa nueva. Para retirar las cubiertas de los husillos, saque los tornillos que los sujetan a la plataforma.

3. Extraiga con cuidado la correa de alrededor de las poleas locas (a y b) y de las poleas del husillo (d).
4. Instale las nuevas poleas de la correa como se muestra y reinstale las cubiertas de la correa.
5. Coloque la correa alrededor de las poleas locas que extrajo en el paso 3 con el lado en "V" orientado hacia adentro. Una vez que todo esté en su lugar, vuelva a colocar los herrajes y ajuste la tuerca de seguridad con brida para sujetar el conjunto.
6. Pase la correa como se indica y vuelva a instalar la plataforma (consulte Instalación de la plataforma).

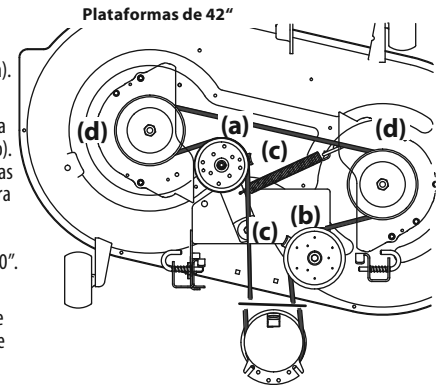


Figura 43

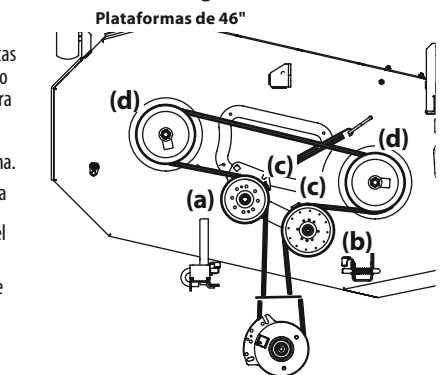


Figura 44

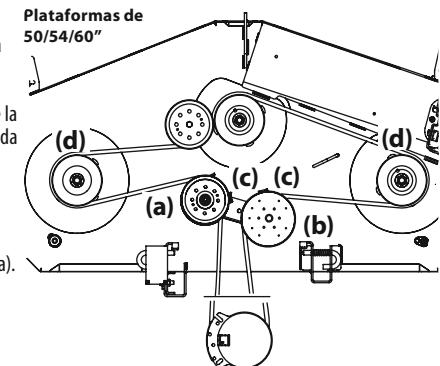


Figura 45

SERVICIO Y MANTENIMIENTO

Cuidado de las cuchillas del tractor

⚠ ADVERTENCIA

Antes de realizar tareas de mantenimiento, desactive la PTO y mueva las palancas de control de la transmisión de barras de seguridad completamente hacia afuera hasta la posición de freno de mano activado. Si deja el tractor sin vigilancia, gire la llave de contacto hasta la posición STOP (detención) y retírela. Proteja sus manos utilizando guantes reforzados cuando manipule las cuchillas. Cuando realice el mantenimiento de la plataforma de corte del tractor, tenga cuidado para no cortarse con las cuchillas filosas.

Las cuchillas de corte deben estar siempre afiladas. Afile los bordes de corte de las cuchillas de forma pareja de modo que las cuchillas queden balanceadas y se mantenga el mismo ángulo de filo.

Si el borde de corte de una cuchilla ya se ha afilado muchas veces, o si hay alguna separación en el metal, se recomienda instalar cuchillas nuevas. El distribuidor autorizado le puede proveer cuchillas nuevas.

Las cuchillas se pueden sacar de la siguiente manera.

1. Extraiga la plataforma de la parte inferior del tractor, (consulte la sección Extracción de la plataforma); luego voltee con delicadeza la plataforma para dejar al descubierto su parte inferior.
2. Use una llave de $1\frac{5}{16}$ " para sostener la tuerca hexagonal en la parte superior del conjunto del husillo cuando afloje la tuerca hexagonal (a) que fija la cuchilla (b). Se puede colocar un bloque de madera (c) entre el alojamiento de la plataforma y el borde de corte de la cuchilla (b) para ayudar a aflojar la tuerca hexagonal (a) que fija la cuchilla. Consulte la Figura 46.
3. Cuando reinstale las cuchillas, asegúrese de que se instalen de modo que las aletas se orienten hacia arriba hacia la parte superior de la plataforma.
4. Ajuste las tuercas hexagonales (a) a 70-90 pies-libras. (95-122 N-m).
5. Reinstale la plataforma (consulte Instalación de la plataforma).

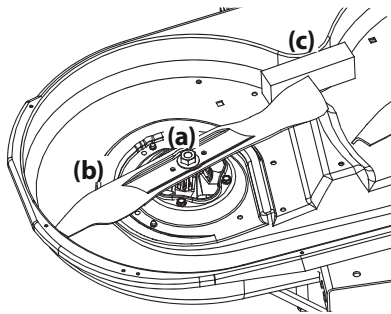


Figura 46

Cambio de la correa de transmisión

Para cambiar la correa de transmisión del tractor, se deben retirar varios componentes y se requieren herramientas especiales. Solicite a un distribuidor de servicio autorizado que realice el reemplazo de la correa de transmisión.

Desplazamiento lento del tractor

Desplazamiento lento es el movimiento del tractor adelante o hacia atrás cuando el acelerador está activado y las palancas de control de transmisión están en posición neutra. Si tractor se desplaza lentamente, consulte al distribuidor autorizado para el mantenimiento.

SOLUCIÓN DE PROBLEMAS

⚠️ ADVERTENCIA

Antes de realizar cualquier tipo de mantenimiento o servicio, desactive todos los controles y detenga el motor. Espere a que se detengan completamente todas las piezas móviles. Desconecte el cable de la bujía y póngalo haciendo masa contra el motor para evitar que se encienda accidentalmente. Utilice siempre anteojos de seguridad durante el funcionamiento o mientras ajusta o repara este equipo.

En esta sección se analizan problemas menores de servicio. Para localizar el centro de servicio técnico autorizado más cercano consulte la hoja complementaria que se entrega por separado donde consta la información de contacto.

Problema	Causa	Solución
El motor no arranca	<ol style="list-style-type: none"> 1. Perilla de toma de fuerza (PTO)/activación de cuchilla activada. 2. No está puesto el freno de mano. 3. Se ha desconectado el cable de bujía. 4. La palanca de control del acelerador no está en la posición de arranque correcta. 5. El depósito de combustible está vacío o el combustible se ha echado a perder. 6. El circuito del combustible o el filtro de combustible están obstruidos. 7. La bujía no funciona correctamente. 8. Motor ahogado. 9. Fusible(s) quemado(s). 	<ol style="list-style-type: none"> 1. Coloque la perilla en la posición de desconexión (OFF). 2. Coloque el freno de mano. 3. Conecte el cable a la bujía. 4. Mueva la palanca del acelerador a la posición FAST (rápido). 5. Llene el depósito con gasolina limpia y nueva (de menos de 30 días de antigüedad). 6. Vuelva a colocar el circuito de combustible. Comuníquese con Sears u otro distribuidor de servicio calificado. Reemplace el filtro de combustible. Consulte la sección Servicio y Mantenimiento. 7. Limpie, ajuste la separación, o cambie la bujía. 8. Arranque el motor con el acelerador en la posición FAST (rápido). 9. Reemplace el fusible.
El motor funciona de manera errática	<ol style="list-style-type: none"> 1. El tractor cortacésped está funcionando con el Cebador activado. 2. El cable de la bujía está flojo. 3. El circuito del combustible está obstruido o el combustible se ha echado a perder. 4. La ventilación en la tapa del combustible está obstruida. 5. Hay agua o suciedad en el sistema de combustible. 6. El depurador de aire está sucio. 	<ol style="list-style-type: none"> 1. Compruebe que el cebador eléctrico funcione. Comuníquese con Sears u otro distribuidor de servicio calificado. 2. Conecte y ajuste el cable de la bujía. 3. Vuelva a colocar el circuito de combustible. Comuníquese con Sears u otro distribuidor de servicio calificado. Llene el tanque con gasolina limpia y nueva y reemplace el filtro de combustible. Consulte la sección Servicio y Mantenimiento. 4. Destape la ventilación o reemplace la tapa si está dañada. 5. Vacíe el depósito de combustible. Recargue el depósito con gasolina limpia y nueva. Consulte la sección Servicio y Mantenimiento. 6. Limpie o reemplace el elemento de papel del depurador de aire o limpie el prefiltro de espuma.
El motor recalienta	<ol style="list-style-type: none"> 1. El nivel de aceite del motor está bajo 2. Restricción en el flujo de aire 	<ol style="list-style-type: none"> 1. Llene el motor con cantidad y tipo de aceite adecuados. 2. Elimine los recortes de césped y los desechos de alrededor de las aletas de enfriamiento del motor y de la carcasa del soplador.
El motor vacila a altas revoluciones	<ol style="list-style-type: none"> 1. Poca separación de los electrodos de la bujía 	<ol style="list-style-type: none"> 1. Extraiga la bujía y regule la separación.
El motor funciona mal en marcha lenta	<ol style="list-style-type: none"> 1. La bujía de encendido está sucia 2. El depurador de aire está sucio 	<ol style="list-style-type: none"> 1. Reemplace la bujía y regule la separación. 2. Limpie o reemplace el elemento del depurador de aire y/o limpie el prefiltro.
Excesiva vibración	<ol style="list-style-type: none"> 1. Cuchillas de corte flojas o descentradas 2. Cuchilla de corte dañada, desafilada o doblada 	<ol style="list-style-type: none"> 1. Apriete la cuchilla y el husillo. Equilibre la cuchilla. 2. Reemplace la cuchilla.
Corte irregular	<ol style="list-style-type: none"> 1. La plataforma no está correctamente nivelada. 2. Cuchilla desafilada. 3. Presión de neumáticos desigual. 	<ol style="list-style-type: none"> 1. Haga un ajuste de la plataforma de lado a lado. 2. Afile o cambie la cuchilla. 3. Verifique la presión de los cuatro neumáticos.