

# ASSEMBLY

**IMPORTANT:** This mower is shipped without gasoline or oil in the engine. Be certain to service engine with gasoline and oil as instructed in the Operation section of the Engine Manual before starting or operating your mower.

**NOTE:** Reference to right and left hand side of the Lawn Mower is observed from the operating position.

## Unpacking

### Opening Carton

1. Cut each corner of the carton vertically from top to bottom.
2. Remove all loose parts:
  - Grass Catcher
  - Engine Oil
3. Remove loose packing material.

### Removing Mower From Carton

1. Lift mower from the rear to detach it from underlying carton material and roll mower out of carton.
2. Check carton thoroughly for any other loose parts.

## Assembly

### Attaching The Handle

1. Remove any packing material which may be between upper and lower handles.
2. Turn the handle adjustment levers to the unlocked position to lift the handle. See Figure 1.
3. Place the handle into one of the three handle height positions, low (a), medium (b) or high (c), located on the handle brackets. See Figure 2.
4. Turn the handle adjustment levers to the locked position to secure the handle.
5. The rope guide is attached to the right side of the upper handle. Loosen the wing knob (a) which secures the rope guide. See Figure 3.

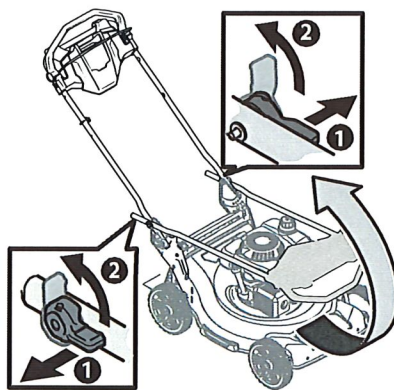


Figure 1

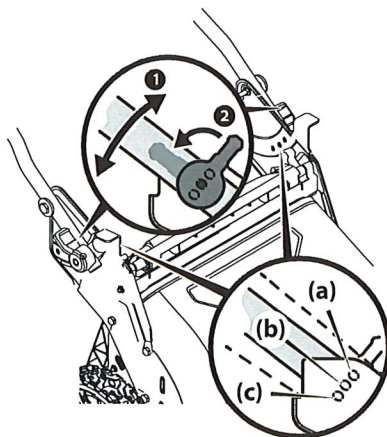


Figure 2

- a. Hold blade control against upper handle.
- b. Slowly pull recoil starter rope handle from engine and slip starter rope into the rope guide.
- c. Tighten rope guide wing knob (a).

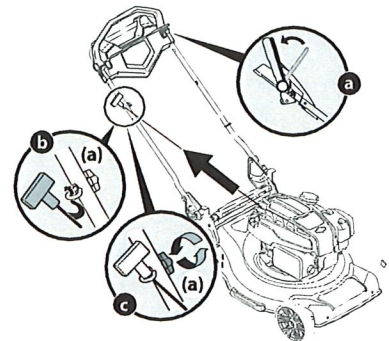


Figure 3

**IMPORTANT:** To reduce wear and allow for proper operation, make sure to leave some slack in the upper portion of the cables.

### Attaching the Grass Catcher

1. Follow steps below to assemble the grass catcher. Make certain bag is turned right side out before assembling (warning label will be on the outside). See Figure 4.
  - a. Place bag over frame so that its black plastic side is at the bottom.
  - b. Slip plastic channel of grass bag over hooks on the frame.
2. Follow steps below to attach grass catcher. See Figure 5.
  - a. Lift mower rear discharge door.
  - b. Remove the mulch plug.
  - c. Place grass catcher into the slots in the handle brackets. Let go of discharge door so that it rests on the grass catcher.

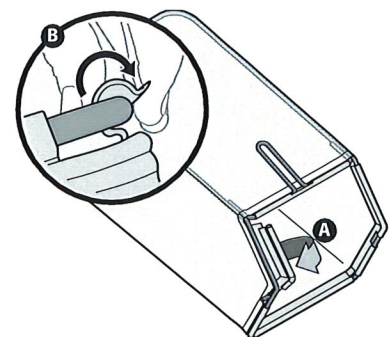


Figure 4

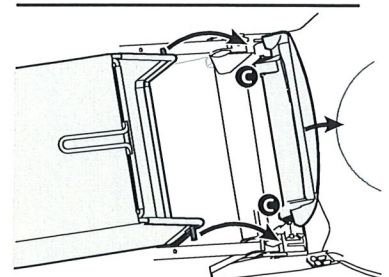
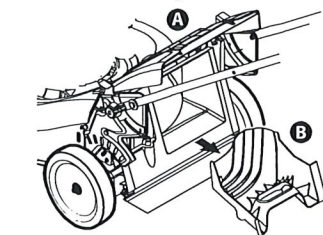


Figure 5

**NOTE:** To remove grass catcher reverse STEP 2. Lift mower rear discharge door. Lift grass catcher up and off the slots in the handle brackets. Reinstall the mulch plug and lower the rear discharge door.

# ADJUSTMENTS

## Adjustments

### Cutting Height

There are two cutting height adjustment configurations. Refer to the section applicable to your mower.

#### Single Lever

The single lever cutting height adjustment is located above the rear left wheel. See Figure 6.

1. Carefully pull the height adjustment lever outward towards wheel (mower will tend to fall when lever is moved outward).
2. Move lever to desired position for a change in cutting height.
3. Release lever towards deck.

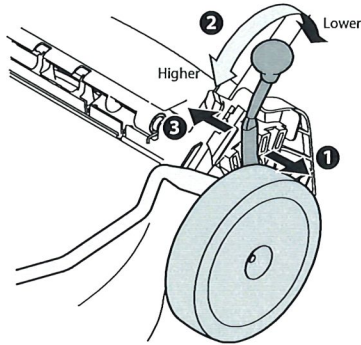


Figure 6

#### Dual Lever

The dual lever cutting height adjustment levers are located above the front and rear left wheel. See Figure 7.

1. Carefully pull the height adjustment lever outward towards wheel (mower will tend to fall when lever is moved outward).
- NOTE:** The front and rear height adjustment levers move in the opposite direction to adjust.
2. Move lever to desired position for a change in cutting height.
  3. Release lever towards deck.

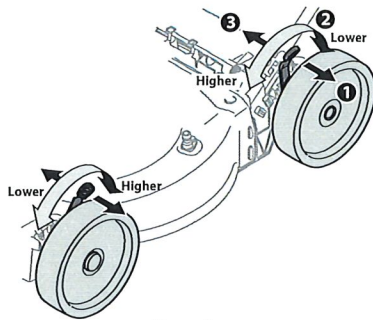


Figure 7

**IMPORTANT:** All wheels must be placed in the same position. For rough or uneven lawns, move each height adjustment lever to a higher position. This will prevent you from cutting the grass too close to the ground.

### Handle Pitch

For convenience of operation, you may adjust the pitch of the handle as follows:

1. Turn the handle adjustment levers to the unlocked position to lift the handle. See Figure 8.
2. Place the handle into one of the three handle height positions, low (a), medium (b) or high (c), located on the handle brackets.
3. Turn the handle adjustment levers to the locked position to secure the handle.

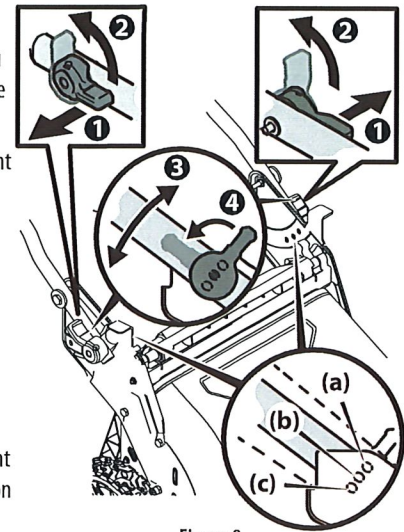


Figure 8

**NOTE:** A fourth handle height position (d) is used for storing the mower with the handle in the upright position. See Figure 9.

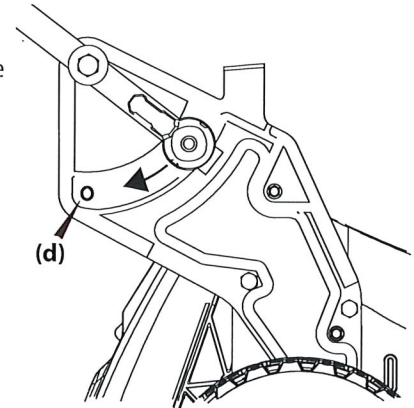


Figure 9