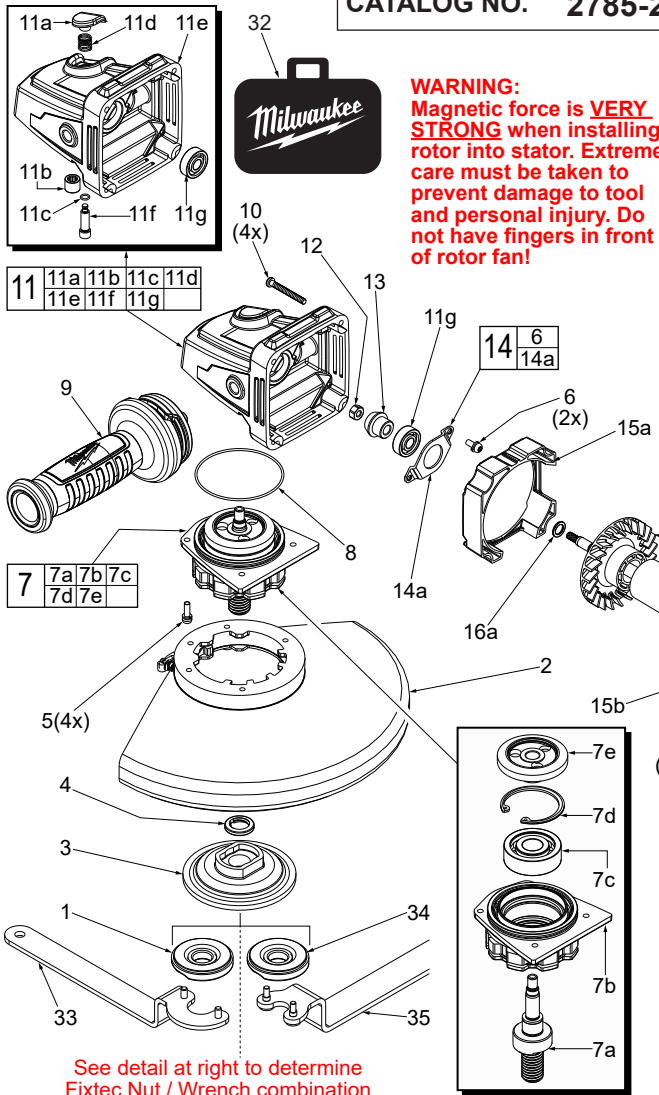




# SERVICE PARTS LIST

**BULLETIN NO.**  
**54-38-2780**

SPECIFY CATALOG NO. AND SERIAL NO. WHEN ORDERING PARTS		REVISED BULLETIN	DATE
<b>M18 FUEL™ 7" / 9" Large Angle Grinder</b>			June 2018
CATALOG NO.	2785-20	STARTING SERIAL NO.	<b>J59A</b>
		WIRING INSTRUCTION <b>SEE PAGE 2</b>	




**WARNING:**  
Magnetic force is **VERY STRONG** when installing rotor into stator. Extreme care must be taken to prevent damage to tool and personal injury. Do not have fingers in front of rotor fan!

FIG.	PART NO.	DESCRIPTION OF PART	NO. REQ.
16	16-01-2785	Rotor Assembly	(1)
16a	45-88-0406	Washer	(3)
17	05-88-0082	K45 x 49mm Pan Hd. T-20 PT Screw	(3)
18	45-88-0010	Washer	(3)
20	14-20-2800	Grounding Assembly	(1)
22	12-20-0123	Service Nameplate	(1)
23	14-20-2785	Electronics Assembly	(1)
23b	23-66-2785	On-Off Switch Assembly with Screws	(1)
25	06-82-0126	M2.3 x 5mm PWH Tapt. T-6 Screw	(1)
26	22-56-0150	Closed End Terminal	(1)
27	14-34-2785	Rear Handle/Housing Kit	(1)
27a	-----	Left Handle/Housing Halve - Support	(1)
27b	-----	Right Handle/Housing Halve - Cover	(1)
27c	05-81-1195	M3 x 8mm Pan Hd. ST T-10 Screw	(4)
27d	06-82-0011	M4 x 20mm Pan Hd. ST T-20 Screw	(5)
27e	05-88-0780	M3 x 18mm Pan Hd. ST T-10 Screw	(2)
28	31-15-0072	Vent Clip Assembly	(1)
32	48-55-3565	M18 FUEL Large Contractor Bag	(1)
33	49-96-0002	Spanner Wrench	(1)
34	05-59-0016	5/8"-11 Fixtec Nut	(1)
35	49-96-0004	Spanner Wrench	(1)

See detail at right to determine Fixtec Nut / Wrench combination


FIG.	PART NO.	DESCRIPTION OF PART	NO. REQ.
1	05-59-0015	5/8"-11 Fixtec Nut	(1)
2	49-12-0010	7" Type 27 Wheel Guard Assy. (Not Shown)	(1)
2	49-12-0020	9" Type 27 Wheel Guard Assembly	(1)
2	49-12-0230	7" Type 1 Wheel Guard Assy. (Not Shown)	(1)
2	49-12-0240	9" Type 1 Wheel Guard Assy. (Not Shown)	(1)
3	43-34-0825	Type 27 Backing Flange	(1)
3	43-35-0925	Type 1 Backing Flange (Not Shown)	(1)
4	45-88-8466	5/8"-11 Spindle Washer	(1)
5	06-81-0001	M4 x 14mm Pan Hd. Sems T-20 Mach. Scr.	(4)
6	06-81-0003	M4 x 10mm Pan Hd. Sems T-20 Mach. Scr.	(2)
7	14-73-0005	Spindle Hub Assembly	(1)
7a	-----	5/8"-11 Spindle	(1)
7b	-----	Spindle Hub	(1)
7c	-----	Ball Bearing	(1)
7d	-----	Retaining Ring	(1)
7e	-----	Bevel Gear	(1)
8	34-40-0262	O-Ring	(1)
9	42-62-0125	AVS Side Handle	(1)
10	06-81-5376	M4 x 34mm Pan Hd. ST T-20 Screw	(4)
11	14-30-2785	Gearcase Assembly	(1)
11a	42-42-0525	Spindle Lock Button	(1)
11b	02-50-0025	Needle Bearing	(1)
11c	34-40-0450	O-Ring	(1)
11d	40-50-1330	Spindle Lock Spring	(1)
11e	-----	Gearcase	(1)
11f	42-60-0003	Spindle Lock Pin	(1)
11g	02-04-0620	Ball Bearing	(1)
12	05-55-0620	M5 Hex Nut	(1)
13	32-60-0165	Bevel Pinion	(1)
14	44-86-0192	Bearing Retainer Kit	(1)
14a	-----	Bearing Retainer	(1)
15	42-14-0037	Baffle Assembly	(1)
15a	-----	Baffle Scroll	(1)
15b	-----	Baffle Foot	(1)

**05-59-0015**



It is important to note that there are two different Fixtec Nut designs that can be used on the 2785-20 M18 FUEL Grinder. Each Fixtec Nut utilizes a spanner wrench that is unique to the nut.

**05-59-0016**



Fixtec Nut 05-59-0015 (1) must be used with Spanner Wrench 49-96-0002 (33). Fixtec Nut 05-59-0016 (34) must be used with Spanner Wrench 49-96-0004 (35).

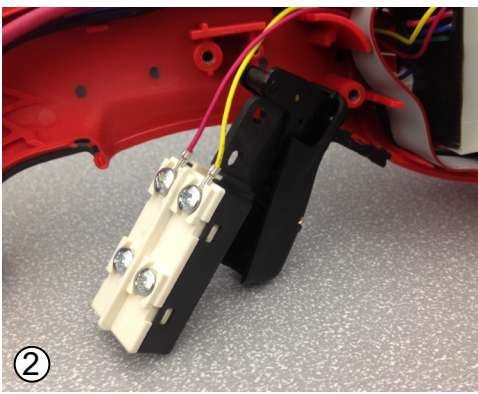
Use this diagram to determine the nut and wrench design and order service parts accordingly.

When servicing, remove 90-95% of the existing grease prior to installing Type 'Y'. Original grease may be similar in color but not compatible with 'Y'. Clean gear assemblies with a clean, dry cloth.

**LUBRICATION**  
Type 'Y' Grease, No. 49-08-5275 (14oz. tub)  
Apply a liberal amount of grease, approximately 5 grams/.17oz. to the Bevel Gear (7e) and Bevel Pinion (13). Be sure that all gear teeth are coated.

Place approximately 25 grams/.88oz. of grease in the gear cavity of gearcase assembly (11).

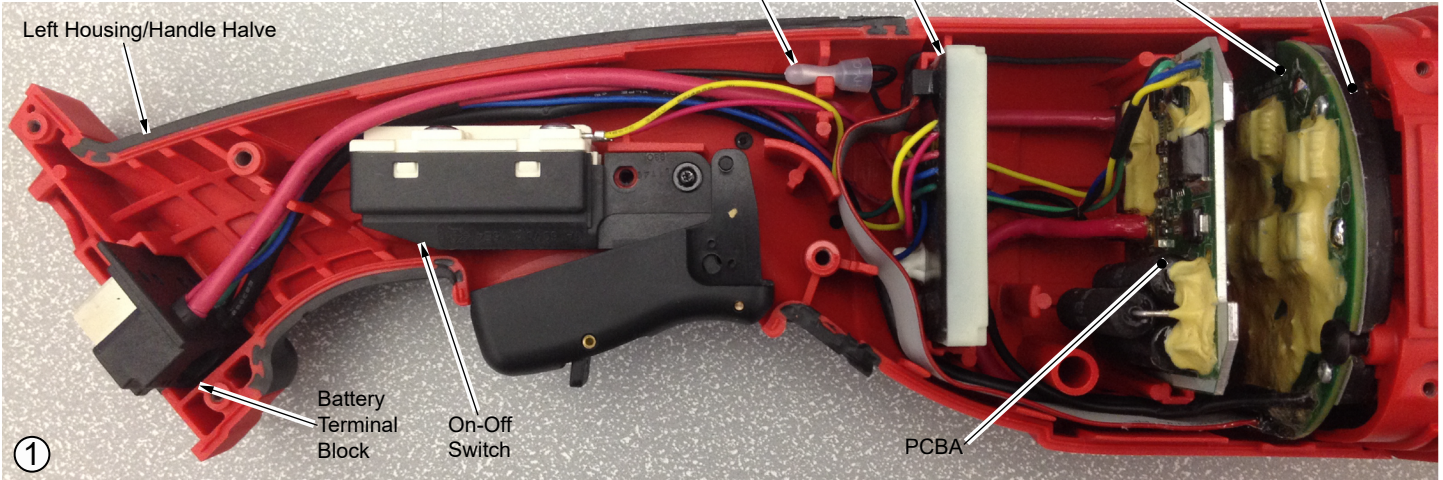




**NOTE:**

Electronics Assembly (23) consists of a Battery Terminal Block, PCBA, Potted PCBA, Power Board PCB, Heat Sink, Stator, Grounding Assembly and Motor Housing. The grounding assembly, stator, heat sink and power board PCB are all captured and secured in the motor housing.

1. To begin installation of Motor housing/electronics assembly, place onto Left Handle/Housing Halve (27a). Route and trap wires and wire ribbon as shown in figure 1. Place PCBA, potted PCBA, battery terminal block and closed end connector firmly and squarely in housing recesses and cavities.
2. Connect the red and yellow terminated wires from the potted PCBA of electronics assembly to On-Off Switch (23b) as shown. Secure switch to housing half with small screw (25).



3. Illustrated to show ground wire routing in motor housing for service replacement purposes.

4. Pictured to show ground terminal placement in motor housing for service replacement purposes.

5. Stripped end of ground wire is to be twisted with stripped end of ground wire from battery terminal block. Secure the two wires with closed end connector (26). This is pictured for service replacement purposes.

6. Place ground wires down in traps and secure closed end connector as shown.

Prior to installing Right Handle/Housing Halve (27b) onto left housing/handle halve, be sure that all wires are tucked down in wire traps. Be sure that wire ribbon is properly placed down in traps and channels. Make sure that the PCBA, potted PCBA and battery terminal block are firmly and squarely in the corresponding cavities of the left handle/housing halve.

Secure right handle/housing halve to left handle/housing halve with screws (27c, 27d and 27e), watching out for pinched wires.

Install Vent Clip Assembly (28) onto handle/housings.

Prior to installing battery, check for the proper functionality of the on-off switch.

Install battery and assure the tool operates properly.

