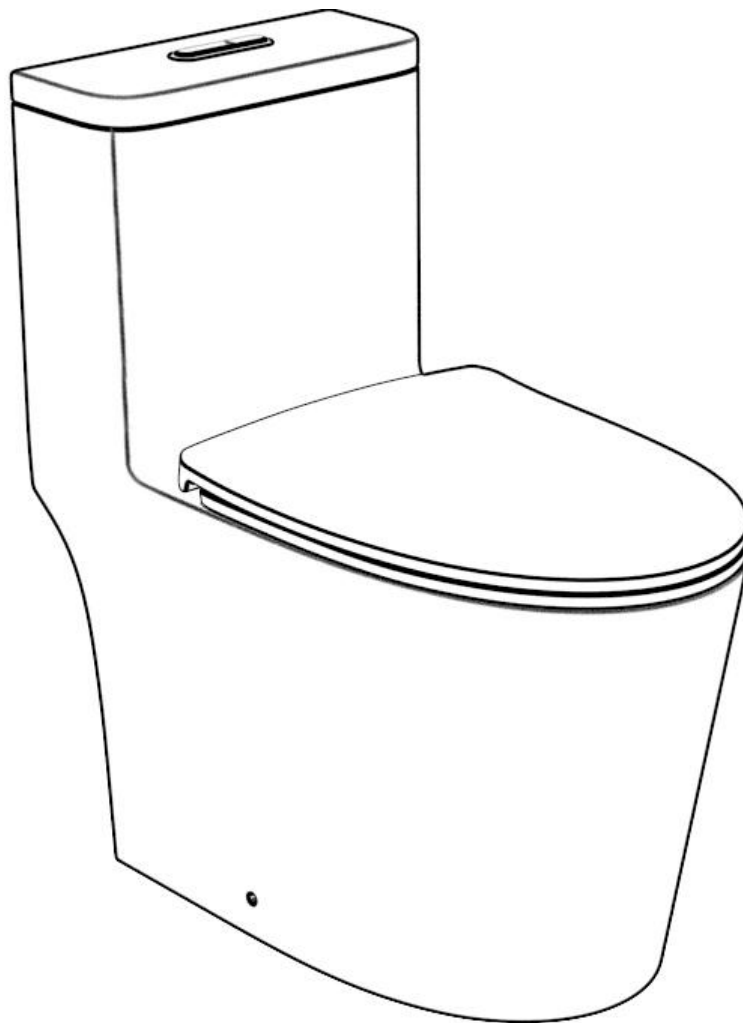


Installation Instructions



One Piece Toilet Model: 6636

Contact our Customer Care Center for Help:

· USA: +1 347-368-7521 GMT-8/ 9:30-18:30/ Mon-Fri

+1 347-289-3016 (message not available)

· www.givingtreehome.com

· rsvp@givingtreehome.com



READ ALL INSTRUCTIONS BEFORE UNPACKING THE PRODUCT

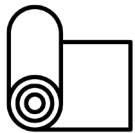
Two people are required to lift and assist during the entire installation of this product.

- Installation of this product by an inexperienced installer may result in personal injury!
- We reserve the right to change, update, modify, or redesign this manual/product or its policies without prior notice!
- We shall not be liable for any injuries or property damage in connection with the installation or use of this product!
- We are not responsible for local code compliance for this product. Building and plumbing codes may vary from state to state in accordance with your location. We are not responsible for providing any compliance certifications
- Under no circumstances shall we be liable for any incidental damages sustained in connection with this product.
- Neither manufacturer, distributor, nor retailer is responsible for water damage or flooding caused by the use of this product.
- Under no circumstances shall we be liable for any fees, costs of installation/reinstallation/removal, subsequent damage, or transportation in case of product defect.



TOOLS AND MATERIALS

Before beginning the installation, please ensure you have the following tools ready. If you do not have all the necessary tools, avoid opening the packaging to prevent potential damage from multiple installation attempts. We recommend hiring a professional plumber to install this product.



Soft Cloth or Blanket



Silicone



Silicone/ Caulk Gun



Tape Measure



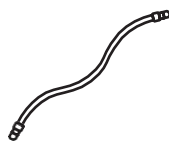
Pencil/ Marker



Adjustable Wrench



Channel Lock Pliers



Adjustable Socket Extension



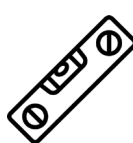
Phillips Screwdriver



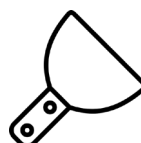
Safety Glasses



Knife

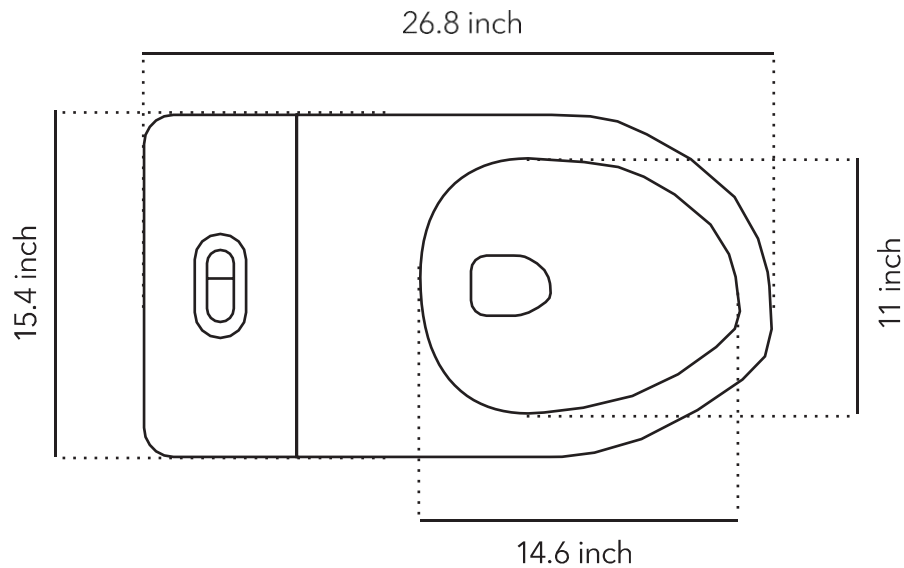


Level

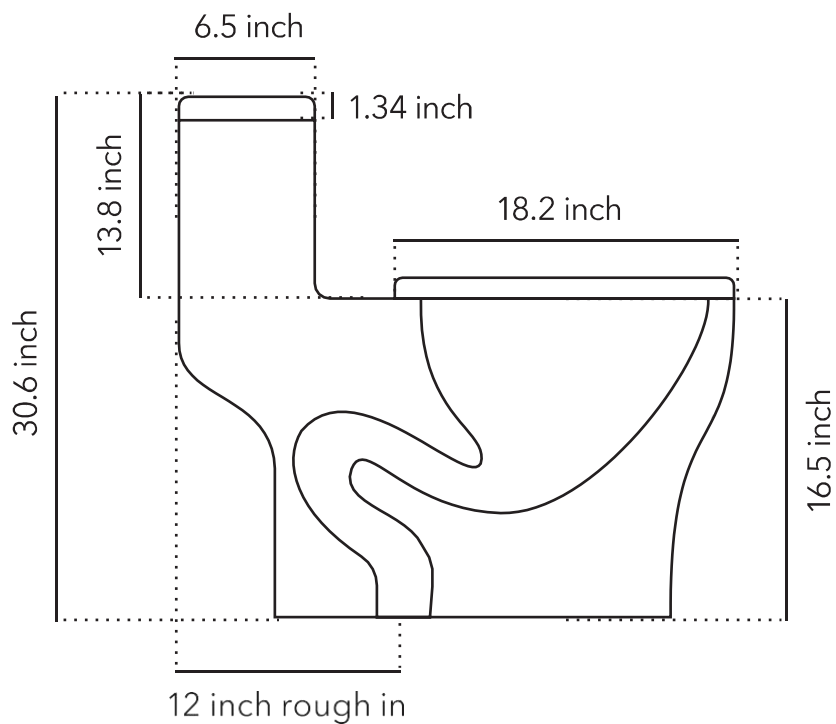


Putty Knife

PRODUCT SIZE



Top view



Side View

CAUTION: PRODUCT IS FRAGILE. TO AVOID BREAKAGE AND POSSIBLE INJURY HANDLE WITH CARE!

NOTE: Pictures may not exactly define contour of china and components.

PARTS LIST



Bowl with lid
x1



Wax Ring
x1



Plastic washer
x2



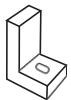
Toilet Seat Set
x1



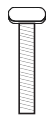
Mounting Screw
x2



Bolt Cap Decoration
x2



Plastic Piece
x2



Expansion screw
x2



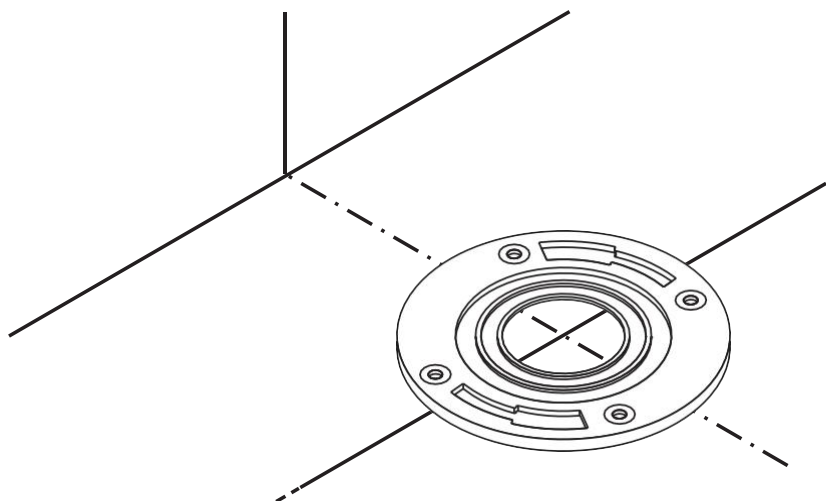
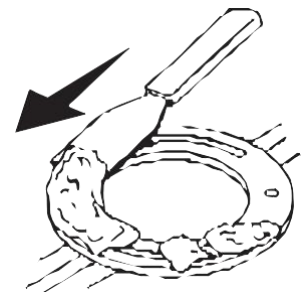
T-Bolt Nuts and Washers
x2

REMOVE OLD TOILET

IMPORTANT!

Shut off main water supply prior to installation!

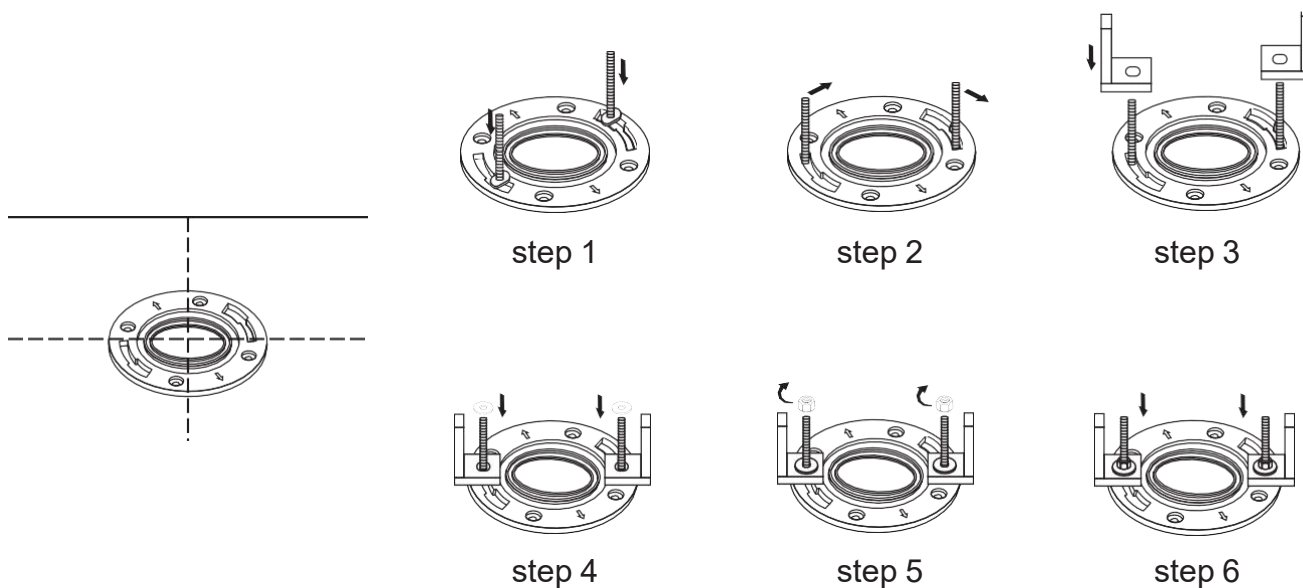
1. Shut off water supply line. If you do not have shut-off valve near the toilet shut off main water supply line.
2. Flush the old toilet and make sure that tank is empty.
3. Disconnect and remove water supply line connected to the toilet's tank.
4. Remove old toilet, bolts, nuts from the closet flange.
5. Clean closet flange area from old wax ring and putty sealant using putty knife from the base area.
6. Clean any remaining debris and wipe any water at the installation area
7. Temporarily plug flange on a floor with a flange plug or towel to prevent gasses from escaping.



INSTALLATION STEPS

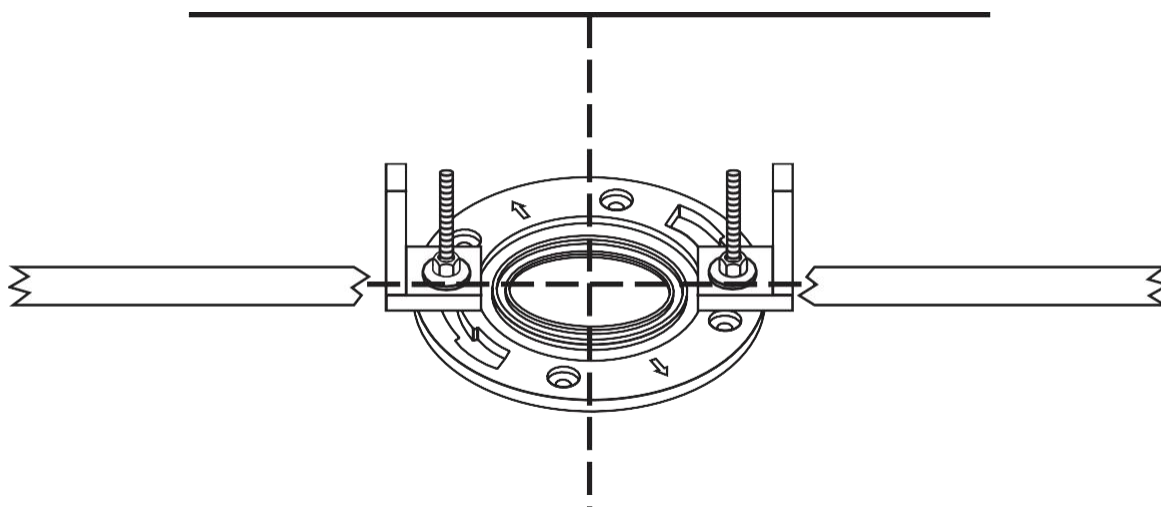
1. INSTALL CLOSET BOLTS AND MOUNTING BRACKET

Install closet bolts in the flange channel, turn 90°, and slide into place 6" (152mm) apart and parallel to the wall.



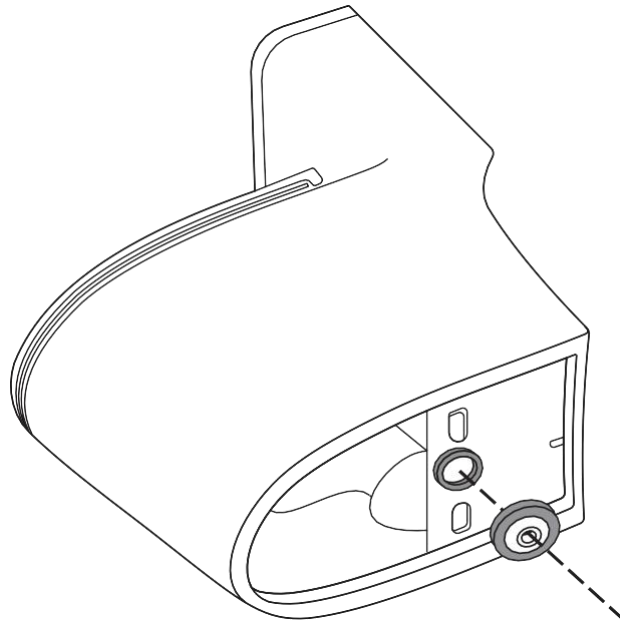
2. LEVEL POSITIONING

Use a pencil or tape to add two alignment lines to assist in positioning the toilet and aligning the mounting holes. Ensure these lines are parallel to the front and also parallel to the floor bolts and mounting bracket.



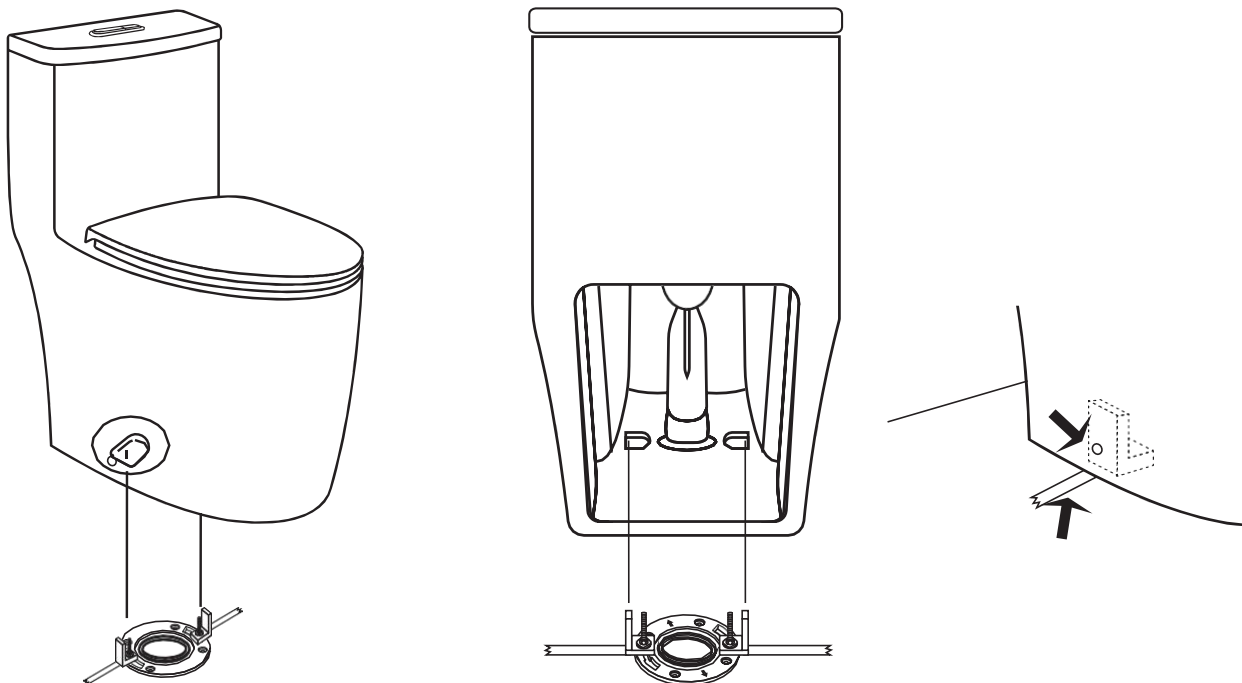
3. INSTALL WAX SEAL

Invert toilet on floor (cushion to prevent damage), and install wax ring evenly around waste flange (horn), with tapered end of ring facing toilet. Apply a thin bead of sealant around toilet base.



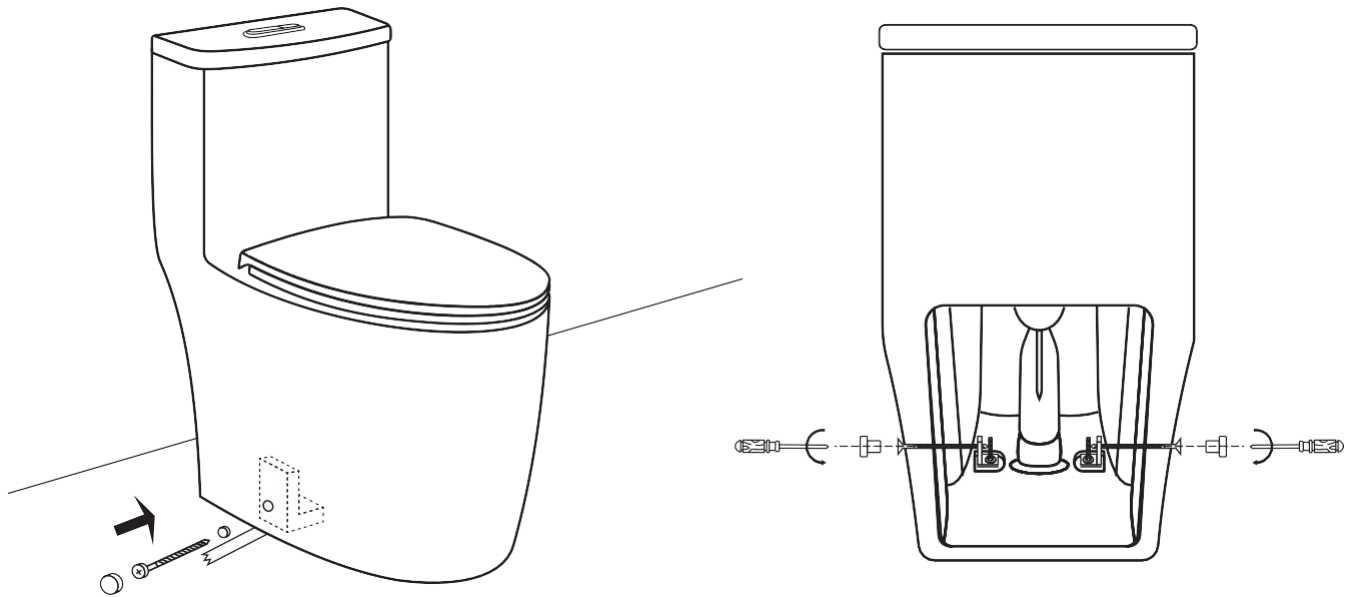
4. INSTALL TOILET BODY

With two people lifting the toilet, align the bottom openings with the mounting hardware on the flange. Then, gently lower it, ensuring the openings fit over the mounting bracket.

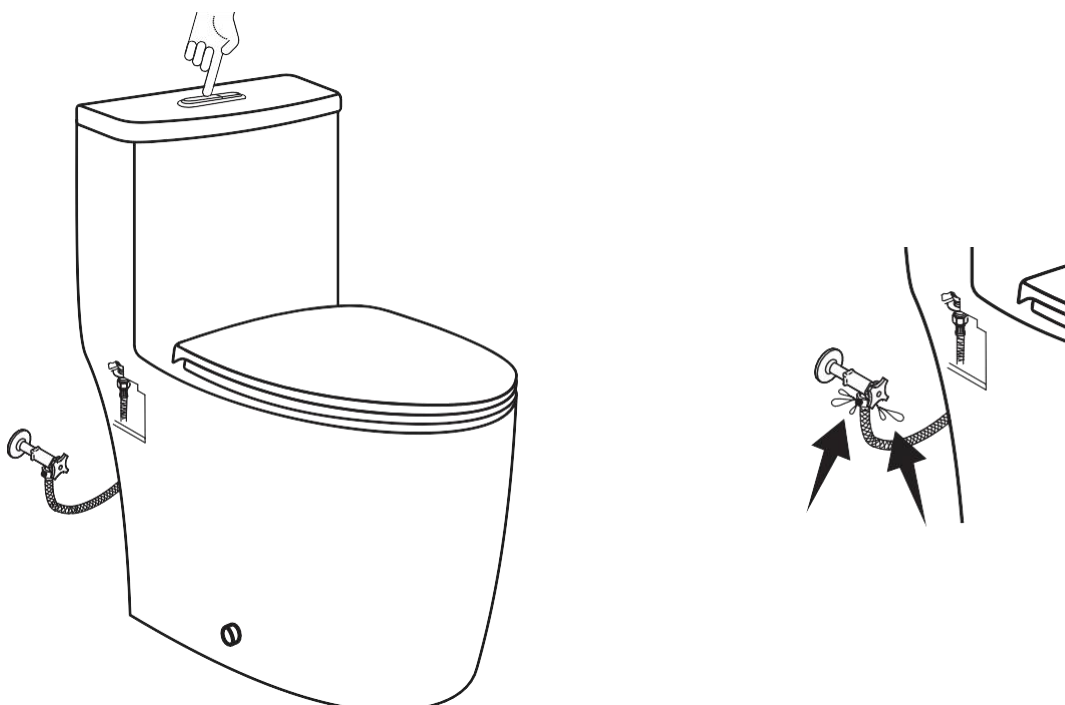


5. SECURE THE TOILET

Screw in the side holes, securing the toilet to the L-shaped bolts, and cover with decorative caps
Position toilet squarely to wall and, with a rocking motion, press bowl down fully on wax ring and flange.
Alternately tighten nuts until toilet is firmly seated on floor.

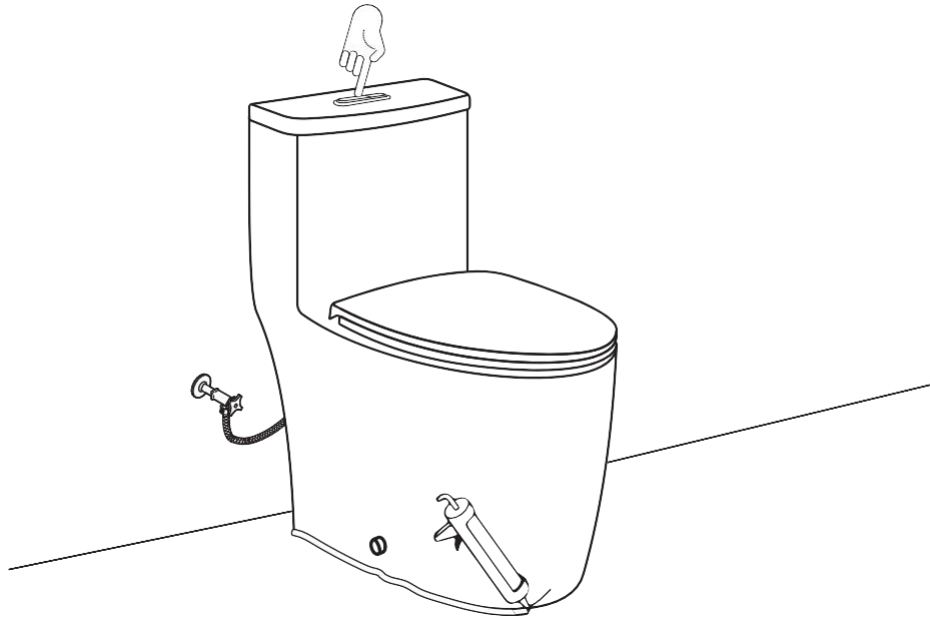


6. CHECK ALL CONNECTIONS FOR LEAKS.

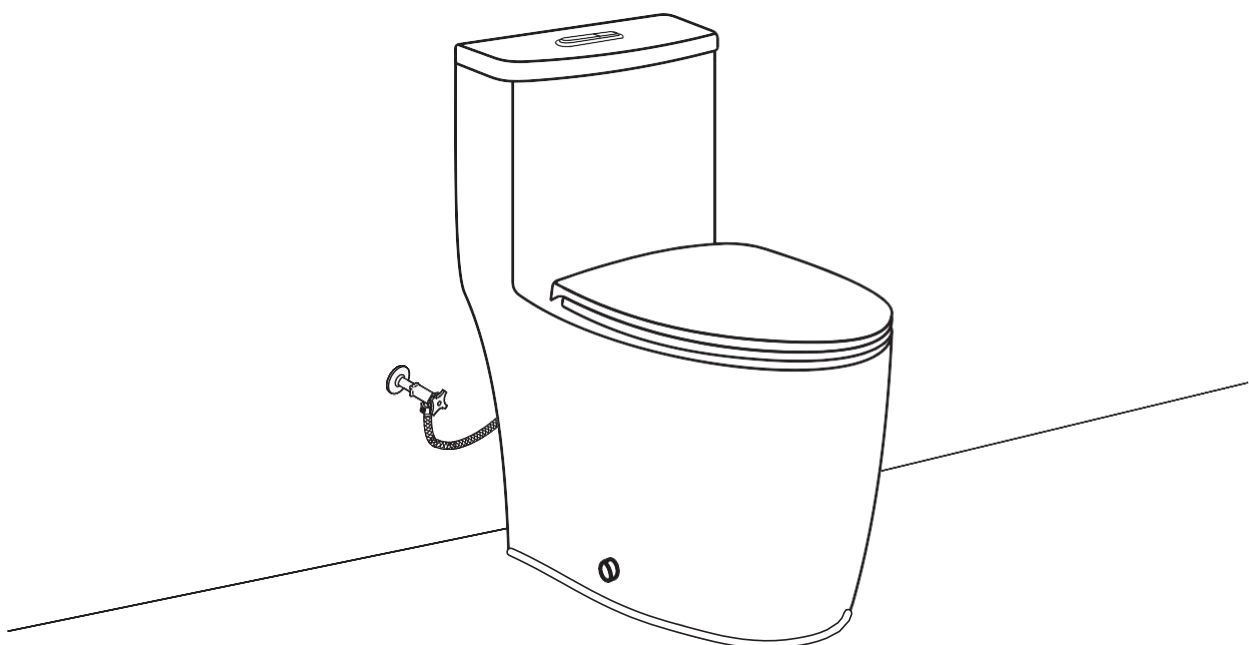


7. APPLY SEALANT TO SECURE

Check that there are no leaks and that the toilet is securely fastened without any wobbling. Then, apply a bead of sealant around the base of the toilet to reinforce its stability and prevent potential leaks in the future.



8. INSTALLATION IS COMPLETE



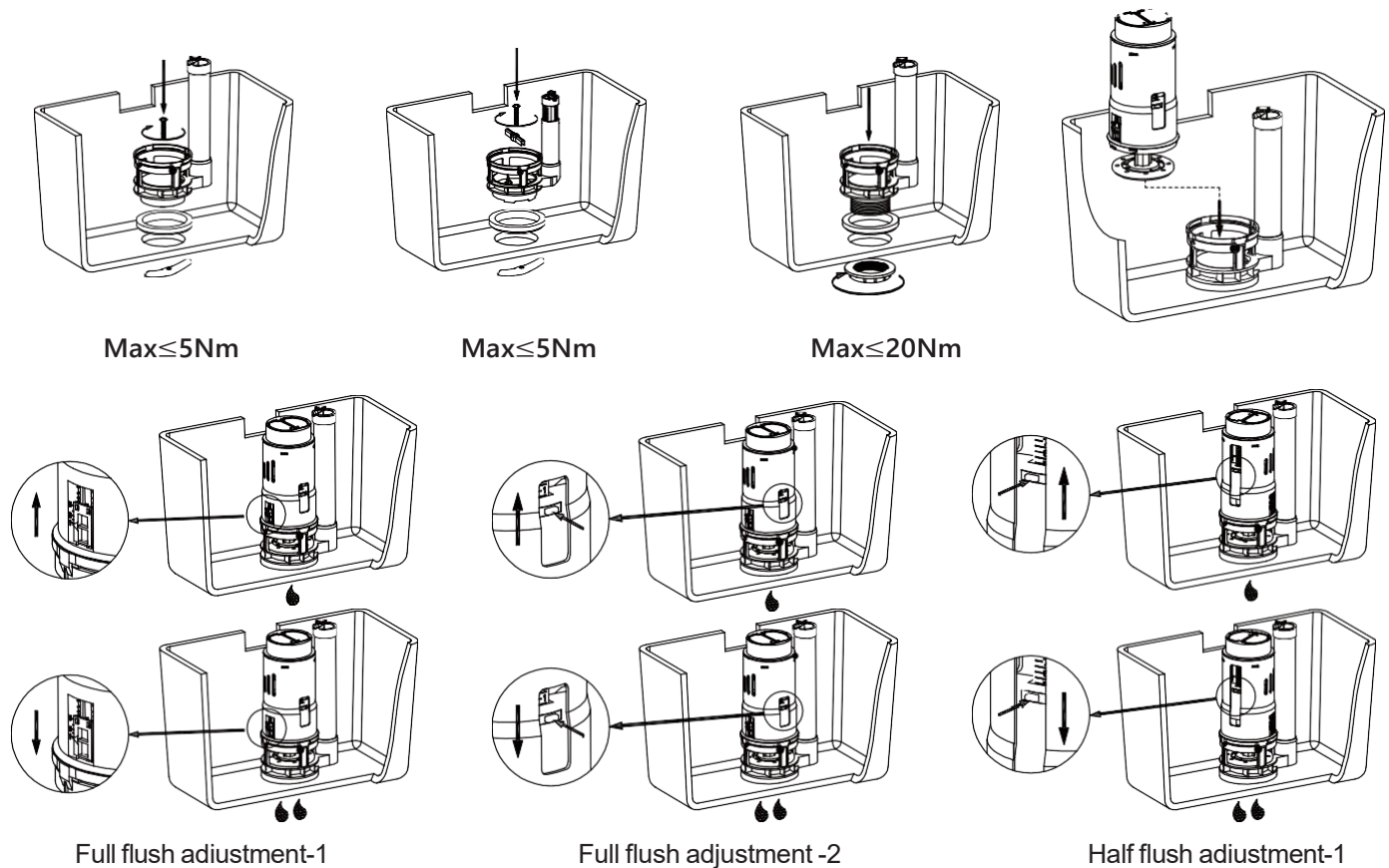
ADJUSTMENT & MAINTENANCE (DUAL FLUSH VALVE)

Important Note: Flush GPF amount is factory set. (1.6GPF/1.1GPF)

No additional adjustment is required. This page is for reference only.

All adjustments are already made by manufacturer.

Full flush and half Flush range will decline when the button is moved upward from the bottom.

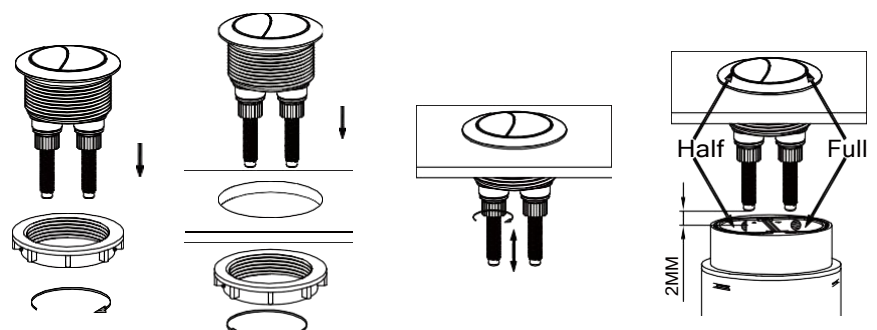


1. Full flush requires the adjustment of 2 valves, the “FULL” red valve and the “FULL” green valve. Adjust upwards to reduce the water flow and downwards to increase the water flow. 2 valves must be synchronized.

2. Half flush requires the adjustment of 1 valve, the “HALF” green valve.

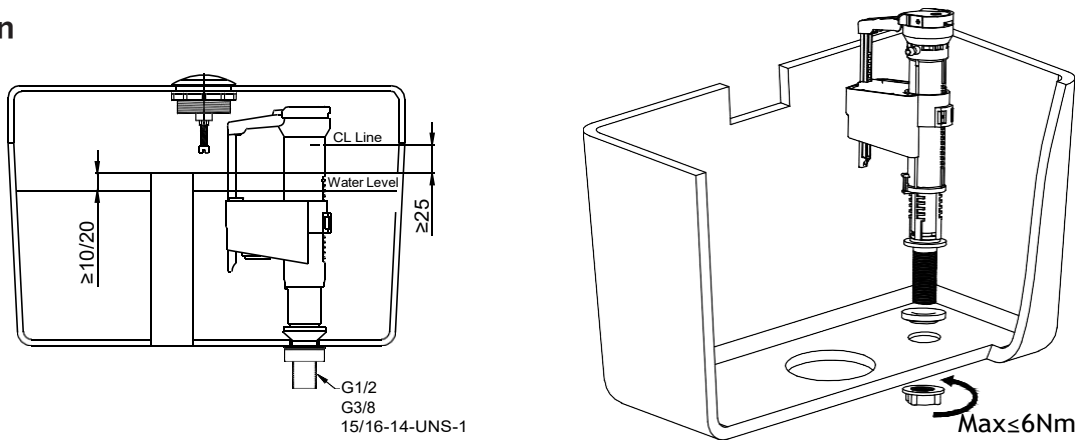
TROUBLESHOOTING

If the rod is too short, please readjust it (outward rotation).
If the rod is too long, please cut off the extra length and re-adjust it.

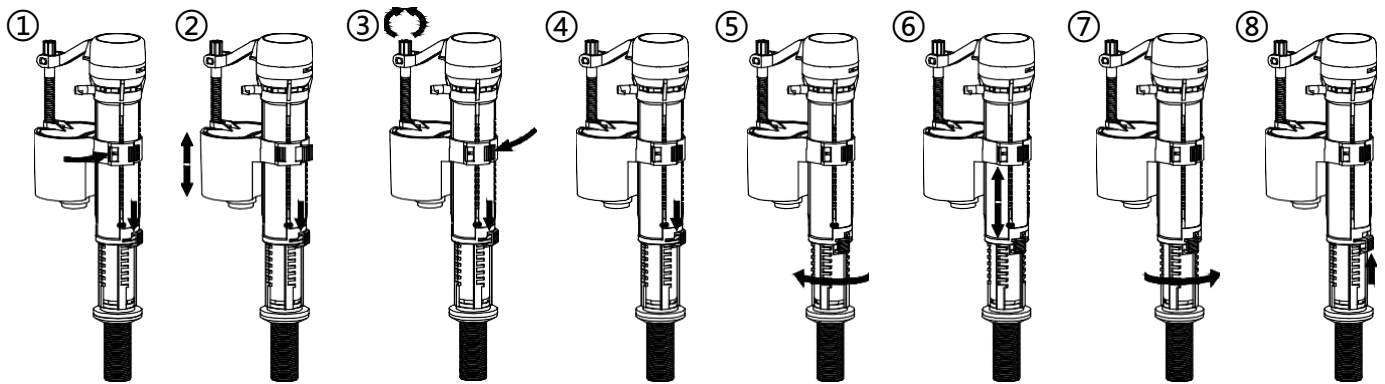


FILL VALVE INSTALLATION

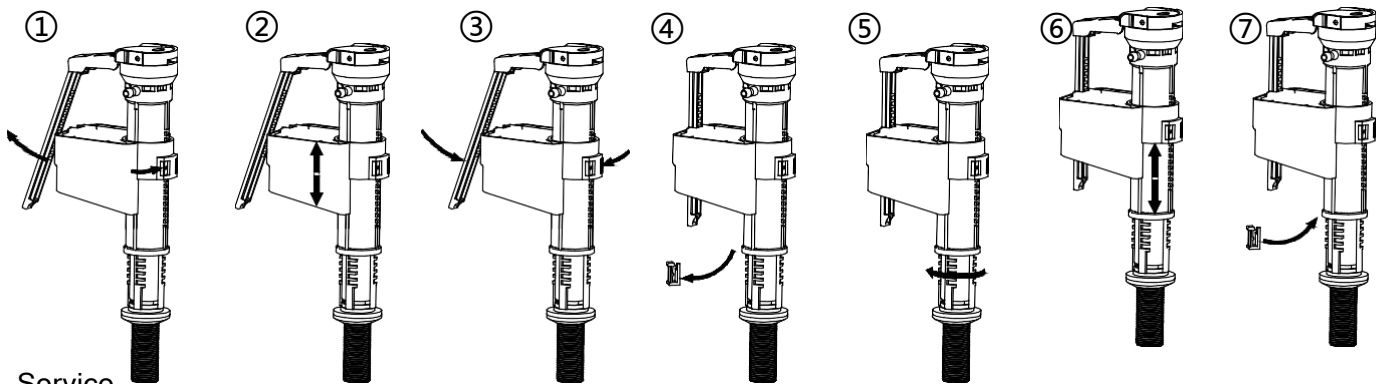
Installation



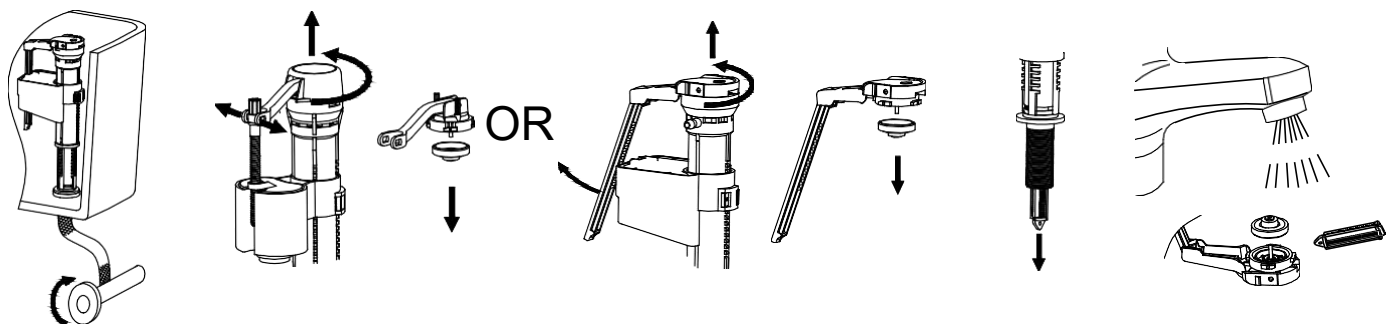
Water level adjustment - 1



Water level adjustment - 2



Service





MAINTENANCE & CARE

Use soft sponges or soft-cloths to clean the surface. Always rinse thoroughly any cleaning solutions immediately after cleaning. Do not let any chemical remain on the surface for extended periods of time.

IMPORTANT!

DO NOT USE: Abrasive cleaners such as acid, ammonia, bleach, and similar solutions.

Use of such solutions may cause corrosion, finish peeling, or dulling of the surface.

DO NOT USE: Abrasive sponges or cloth. Never use steel, wool, or wired brushes that will permanently scratch the surface.

FILL/FLUSH VALVES MAINTENANCE & CARE

Do not pour any amounts of chlorine or other chemicals into the tank.

Use of chemical products will result in damage to the fill valve and flush valve components and may cause flooding and property damage.

Note: fill and flush valves are maintenance free. No maintenance is required.

Retain these installation instructions for future reference!

ONE-YEAR LIMITED WARRANTY

GIVING TREE® products are made of high-quality materials and exquisite craftsmanship to provide customers with beautiful, durable, and long-lasting products.

GIVING TREE® provides beautiful, durable, and long-lasting products to customers. If any defects in materials or craftsmanship are found in the product within the first year after installation under normal use, GIVING TREE® will provide free replacement parts or, at its discretion, replace any product or part of the product that is considered defective under normal use.

SCRATCHES ARE NOT COVERED UNDER WARRANTY.

Any product or part considered defective under normal installation, use, service, or maintenance is applicable to this warranty. This warranty is only valid for the original purchaser. Proof of purchase is required for claims.



Contact our Customer Care Center for Help:

· USA: +1 347-368-7521 GMT-8/ 9:30-18:30/ Mon-Fri)

· www.givingtreehome.com

· rsvp@givingtreehome.com