

7" Edger
Super 7R
Operator's Manual

READ THIS BOOK

This book has important information for the use and safe operation of this machine. Failure to read this book prior to operating or attempting any service or maintenance procedure to your American Sanders machine could result in injury to you or to other personnel; damage to the machine or to other property could occur as well. You must have training in the operation of this machine before using it. If your operator(s) cannot read this manual, have it explained fully before attempting to operate this machine.

All directions given in this book are as seen from the operator's position at the rear of the machine.

EN

Contents

Operator Safety Instructions.....	4-7
Introduction.....	8
Machine Specifications.....	8
Electrical Connection Instructions.....	9
Machine Setup.....	10
Operating Instructions.....	11
Adjustment Procedures.....	12
Maintenance.....	12-13
Parts Manual.....	32
Wiring Diagram.....	33
Lower Assembly (07208A, 07209A, 07208B, 07209B).....	34
Upper Assembly (07208A, 07209A, 07208B, 07209B).....	36
Lower Assembly (07125A, 07013A & 07013B).....	38
Upper Assembly (07125A, 07013A & 07013B).....	40
Warranty.....	42

WARNING!

The Products sold with this Manual contain or may contain chemicals that are known to certain governments (such as the State of California, as identified in its Proposition 65 Regulatory Warning Law) to cause cancer, birth defects or other reproductive harm. In certain locations (including the State of California) purchasers of these Products that place them in service at an employment job site or a publicly accessible space are required by regulation to make certain notices, warnings or disclosures regarding the chemicals that are or may be contained in the Products at or about such work sites. It is the purchaser's responsibility to know the content of, and to comply with, any laws and regulations relating to the use of these Products in such environments. The Manufacturer disclaims any responsibility to advise purchasers of any specific requirements that may be applicable to the use of the Products in such environments.

*****This product is intended for commercial use only*****
















Operator Safety Instructions

In this Operation Manual you will find three statements that you must read and observe to ensure safe operation of this machine.

DANGER means: Severe bodily injury or death can occur to you or other personnel if the **DANGER** statements found on this machine or in this Operation Manual are ignored or are not adhered to. Read and observe all **DANGER** statements found in this Operation Manual and on your machine.

WARNING means: Injury can occur to you or to other personnel if the **WARNING** statements found on your machine or in the Operation Manual are ignored or are not adhered to. Read and observe all **WARNING** statements found in this Operation Manual and on your machine.

CAUTION means: Damage can occur to the machine or to other property if the **CAUTION** statements found on your machine or in this Operation Manual are ignored or are not adhered to. Read and observe all **CAUTION** statements found in this Operation Manual and on your machine.

-  **DANGER:** Failure to read the Owner's Manual prior to operating or servicing your American Sanders machine could result in injury to you or to other personnel; damage to the machine or to other property could occur as well. You must have training in the operation of this machine before using it. If you or your operator(s) cannot read English, have this manual explained fully before attempting to operate this machine.  
-  **DANGER:**  A. Sanding/finishing wood floors can create an explosive or combustible environment. Do not operate this machine around solvents, thinners, alcohol, fuels, floor finishes, wood dust or any other flammable materials. Cigarette lighters, pilot lights, electrical sparks and all other sources of ignition should be extinguished or avoided. Keep work area well ventilated.
B. Dust generated from sanding wood floors can spontaneously ignite or explode. Promptly dispose of any sanding dust in a metal container clear of any combustibles. Do not dispose in a fire.
-  **DANGER:**  A. Electrocutation could occur if the machine is being serviced while the machine is connected to a power source. Disconnect the power supply before servicing.
B. Electrocutation or fire could occur if the machine is being operated with a damaged power cord. Keep the power cord clear of the pad. Always lift the cord over the machine. Do not move the machine by the power cord.
C. Shock hazard. Do not use the machine if it has been rained on or sprayed with water.
-  **DANGER:**  To avoid injury keep hands, feet, and loose clothing away from all moving parts on the machine. Disconnect the power cord before replacing the pad, changing the abrasive, or when servicing. Do not operate the machine unless all guards are in place. Never leave the machine unattended while connected to a power source.
-  **WARNING:**  Injury can occur if protective clothing or equipment is not used while sanding. Always wear safety goggles, protective clothing, and dust mask while sanding.
-  **WARNING:**  This sander is not to be used on pressure treated wood. Some pressure treated woods contain arsenic and sanding pressure treated wood produces hazardous dust. Inhaling hazardous dust from pressure treated wood can cause serious injury or death. Sanding pressure treated wood decks or uneven surfaces can damage the sander which is not covered under warranty or damage waiver.
-  **WARNING:** Any alterations or modifications of this machine could result in damage to the machine or injury to the operator or other bystanders. Alterations or modifications not authorized by the manufacturer voids any and all warranties and liabilities.
-  **WARNING:** Risk of explosion. Floor sanding can result in an explosive mixture of fine dust and air. Use floor sanding machine only in a well-ventilated area free from any flame or match.

General Power Tool Safety Warnings

WARNING: Read all safety warnings and instructions. Failure to follow warnings and instructions may result in electric shock, fire and or serious injury.

Save all warnings and instructions for future use.

The term "power tool" in the warnings refers to your main-operated (corded) power tool or battery operated (cordless) power tool.

1) Work area safety

- Keep work area clean and well lit.** Clutter or dark areas invite accidents.
- Do not operate power tools in explosive atmospheres, such as in the presence of flammable liquids, gasses, or dust.** Power tools create sparks which may ignite the dust or fumes.
- Keep children and bystanders away while operating a power tool.** Distractions can cause you to lose control.

2) Electrical safety

- Power tool plugs must match the outlet. Never modify the plug in any way. Do not use any adapter plugs with earthed (grounded) power tools.** Unmodified plugs and matching outlets will reduce risk of electric shock.
- Avoid body contact with earthed or grounded surfaces such as pipes, radiators, ranges, and refrigerators.** There is an increased risk of electric shock if your body is earthed or grounded.
- Do not expose power tools to rain or wet conditions.** Water entering a power tool will increase the risk of electric shock.
- Do not abuse the cord. Never use the cord for carrying, pulling or unplugging the power tool. Keep cord away from heat, oil, sharp edges or moving parts.** Damaged or entangled cords increase the risk of electric shock.
- When operating a power tool outdoors, use an extension cord suitable for outdoor use.** Use of cord suitable for outdoor use reduces the risk of electric shock.

- f) **If operating a power tool in a damp location is unavoidable, use a residual current device (RCD) or ground fault circuit interrupter (GFCI) protected supply.** Use of a RCD or GFCI reduces the risk of electric shock.

3) Personal safety

- a) **Stay alert, watch what you are doing and use common sense when operating a power tool. Do not use a power tool while you are tired or under the influence of drugs, alcohol, or medication.** A moment of inattention while operating power tools may result in serious personal injury.
- b) **Use personal protective equipment. Always wear eye protection.** Protective equipment such as dust mask, non-skid safety shoes, hard hat, or hearing protection used for appropriate conditions will reduce personal injury.
- c) **Prevent unintentional starting. Ensure switch is in off-position before connecting to power source and/or battery pack, picking up, or carrying the tool.** Carrying power tools with your finger on the switch or energizing power tools that have the switch on invites accidents.
- d) **Remove any adjustment wrench or key before turning the power tool on.** A wrench or key left attached to a rotating part of the power tool may result in personal injury.
- e) **Do not overreach. Keep proper footing and balance at all times.** This enables better control of the power tool in unexpected situations.
- f) **Dress properly. Do not wear loose clothing or jewelry. Keep your hair, clothing and gloves away from moving parts.** Loose clothes, jewelry, or long hair can be caught in moving parts.
- g) **If devices are provided for the connection of dust extraction and collection facilities, ensure these are connected and properly used.** Use of dust collection can reduce dust related hazards. It is recommendation that the tool always be supplied via a residual current device with a rated residual current of 30mA or less.

4) Power tool use and care

- a) **Do not force the power tool. Use the correct power tool for your application.** The correct power tool will do the job better and safer at the rate for which it was designed.
- b) **Do not use the power tool if the switch does not turn it on and off.** Any power tool that cannot be controlled with the switch is dangerous and must be repaired.
- c) **Disconnect the plug from the power source and/or the battery pack from the power tool before making any adjustments, changing accessories or storing power tools.** Such preventative safety measures reduce the risk of starting the power tool accidentally.
- d) **Store idle power tools out of the reach of children and do not allow persons unfamiliar with the power tool or these instructions to operate the power tool.** Power tools are dangerous in the hands of untrained users.
- e) **Maintain power tools. Check for misalignment or binding of moving parts, breakage of parts and any other condition that may affect the power tool's operation. If damaged, have the power tool repaired before use.** Many accidents are caused by poorly maintained power tools.
- f) **Keep cutting tools sharp and clean.** Properly maintained cutting tools with sharp cutting edges are less likely to bind and are easier to control.
- g) **Use the power tool, accessories and tool bits ect. in accordance with these instructions, taking into account the working conditions and the work to be performed.** Use of the power tool for operations different from those intended could result in a hazardous situation.

5) Service

- a) **Have the power tool serviced by a qualified repair person using only identical replacement parts.** This will ensure that the safety of the power tool is maintained. If the supply cord is damaged, it must be replaced by the manufacturer, its service agent or similarly qualified persons in order to avoid a hazard.

Safety Warnings For Sanding Operations

1. This power tool is intended to function as a sander. Read all safety warnings, instructions and specifications provided with this power tool. Failure to follow all instructions listed below may result in electric shock, fire, or personal injury.
2. Operations such as grinding, wire brushing, polishing or cutting-off, are not recommended to be performed with this power tool. Operations for which the tool was not designed may create a hazard and cause personal injury.
3. Do not use accessories which are not specifically designed and recommended by the tool manufacturer. Just because the accessory can be attached to your power tool, it does not assure safe operation.
4. The rated speed of the accessory must be at least equal to the maximum speed marked on the power tool. Accessories running faster than their rated speed can break and fly apart.
5. The outside diameter and thickness of your accessory must be within the capacity rating of your power tool. Incorrectly sized accessories cannot be adequately guard or controlled.
6. The arbor size of wheels, flanges, backing pads or any other accessory must fit the spindle of the power tool. Accessories with arbor holes that do not match the mounting hardware of the power tool will run out of balance, vibrate excessively and may cause loss of control.
7. Do not use damaged accessory. Before each use inspect the accessory such as abrasive wheel for chips or cracks, backing pad for cracks, tear or excess wear, wire brush for loose or cracked wires. If power tool or accessory is dropped, inspect for damage or install an undamaged accessory. After inspecting or installing an accessory, position yourself or bystanders away from the plane of the rotating accessory and run the power tool at maximum no-load speed for one minute. Damaged accessories will normally break apart during this time.

8. Wear personal protective equipment. Depending on application, use face shield, safety goggles or safety glasses. As appropriate, wear dust mask, hearing protectors, gloves and workshop apron capable of stopping flying debris generated by various operations. The eye protection must be capable of stopping flying debris generated by various operations. The dust mask or respirator must be capable of filtering particles generated by your operations. Prolonged exposure to high intensity noise may cause hearing loss.
9. Keep bystanders a safe distance away from work area. Anyone entering the work area must wear personal protective equipment. Fragments of work piece or a broken accessory may fly away and cause injury beyond immediate area of operation.
10. Hold power tool by gripping insulated surfaces (handle) only, when performing an operation where the cutting accessory may contact hidden wiring or its own cord. Cutting accessory contacting a "live" wire may make exposed metal parts of the power tool "live" and shock the operator.
11. Position the cord clear of the spinning accessory. If you lose control, the cord may be cut or snagged and your arm or hand may be pulled into the spinning accessory.
12. Never lay the power tool down until the accessory has come to a complete stop. The spinning accessory may grab the surface and pull the power tool out of your control.
13. Do not run the power tool while carrying it at your side. Accidental contact with the spinning accessory could snag your clothing, pulling the accessory into your body.
14. Regularly clean the power tools air vents. The motor's fan will draw the dust inside the housing and excessive accumulation may cause electrical hazards.
15. Do not operate the power tool near flammable materials. Sparks could ignite these materials.
16. Do not use excessively oversized sanding disc paper. Follow manufacturer's recommendations when selecting sanding paper. Larger sanding paper extending beyond the sanding pad presents a laceration hazard and may cause snagging, tearing of the disc or kickback.
17. Risk of explosion. Floor sanding can result in an explosive mixture of fine dust and air. Use floor sanding machine only in a well-ventilated area free from any flame or match.

Kickback and Related Warnings

Kickback is a sudden reaction to a pinched or snagged rotating wheel, backing pad, brush or any other accessory. Pinching or snagging causes rapid stalling of the rotating backing pad which in turn causes uncontrolled power tool to be forced in the opposite direction of the backing pad's rotation at the point of the binding.

For example, if an abrasive wheel is snagged or pinched by the work piece, the edge of the wheel that is entering into the pinch point can dig into the surface of the material causing the wheel to climb out or kick out. The wheel may either jump toward or away from the operator, depending on direction of the wheel's movement at the point of pinching. Abrasive wheels may also break under these conditions.

Kickback is the result of power tool misuse and incorrect operating procedures or conditions and can be avoided by taking proper precautions as given below.

1. Maintain a firm grip on the power tool and position your body and arms to allow you to resist kickback forces. Always use auxiliary handles, if provided for maximum control over kickback or torque reactions during start up. The operator can control torque reactions or kickback forces, if proper precautions are taken.
2. Never place your hand near the rotating accessory. Accessory may kickback over your hand.
3. Do not position your body in the area where power tool will move if kickback occurs. Kickback will propel the tool in the direction opposite to the wheel's movement at the point of the snagging.
4. Use special care when working corners, sharp edges etc. Avoid bouncing and snagging the accessory. Corners, sharp edges or bouncing have a tendency to snag the rotating accessory and cause loss of control or kickback.

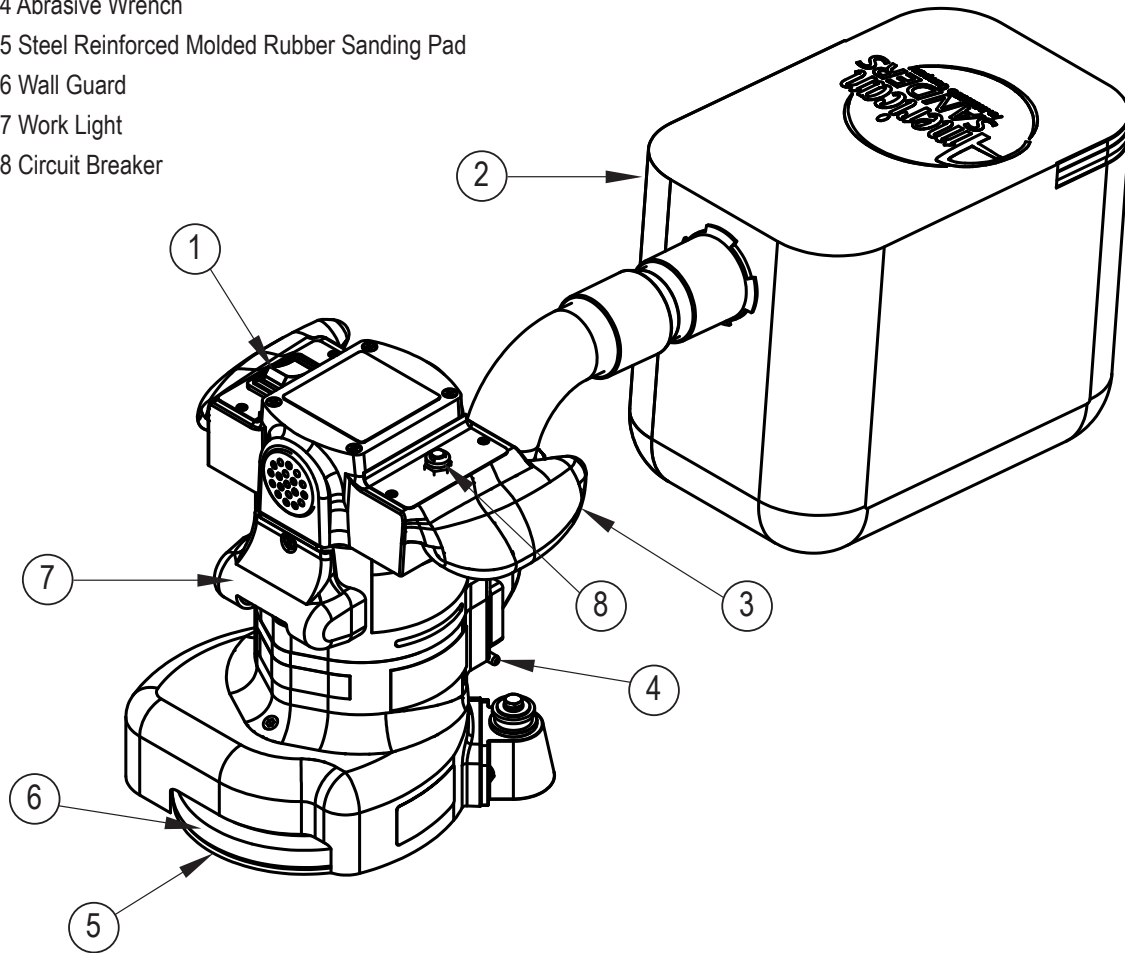
Additional Rules For Safe Operation

1. Empty the dust bag or dust collection receiver frequently. Do not leave residue in dust bag or dust collection receiver unattended. Always empty in a non-combustible metal container. Sanding wood or varnish produces dust that can self ignite and cause injury or damage. Follow this precaution for storage.
2. Set all exposed nails. Sweep loose abrasive away from work area. Do not strike metal pipes, ect., with sanding paper. Striking metal or abrasive particles with sanding paper produces sparks that could ignite the sanding dust which can cause injury or damage.
3. Do not operate a partially assembled power tool. Keep all adjustments within manufacturer's specifications. Keep all fasteners tight. Operating a partially assembled power tool could result in injury to the operator or bystander and could cause damage to the equipment or surroundings.
4. Do not attempt to change the sanding paper while the power tool is running. The sanding pad can snag clothing and cause injury to limbs and moving sanding paper can cause abrasions.
5. The power tool should only be used on an electrical system (mains) that is rated for the electrical requirements of the power tool as shown on the nameplate. Use only on an earthing (grounded) system. Do not service the power tool if it is energized or connected to an electrical circuit. Improper use could cause fire or electric shock.

Introduction

KNOW YOUR MACHINE

- 1 Control Switch
- 2 Dust Collection Bag
- 3 Operating Handles
- 4 Abrasive Wrench
- 5 Steel Reinforced Molded Rubber Sanding Pad
- 6 Wall Guard
- 7 Work Light
- 8 Circuit Breaker

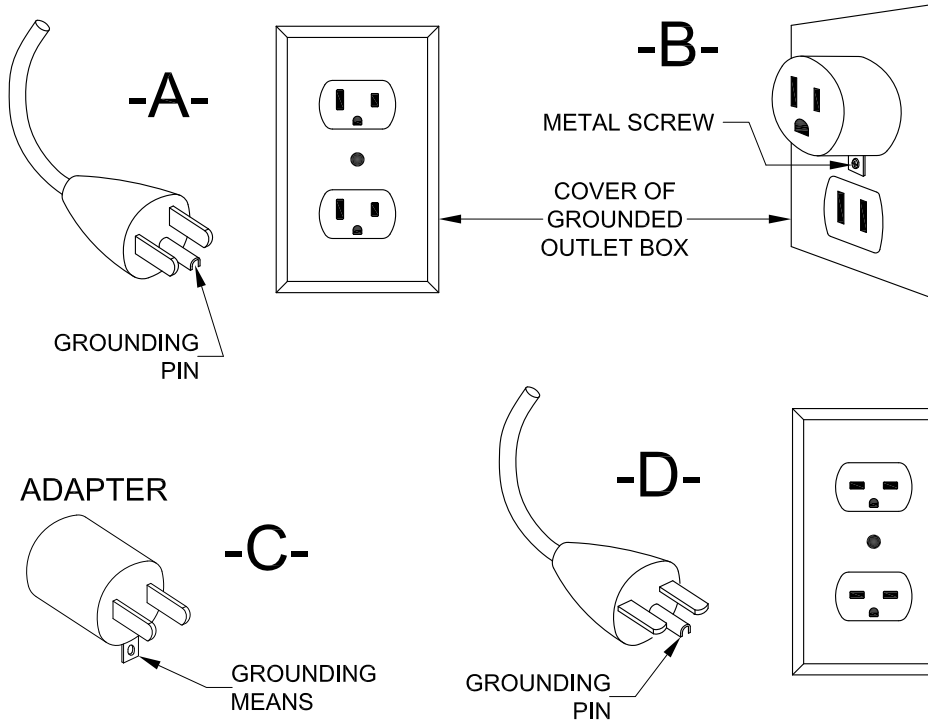


Model	07209A	07208A	07125A	07013A	07013B	07208B	07209B
Electrical Rating	115 V, 12.0 A, 60 Hz	115 V, 12.0 A, 60 Hz	115 V, 12.0 A, 60 Hz	115 V, 12.0 A, 60 Hz	115 V, 12.0 A, 60 Hz	115 V, 12.0 A, 60 Hz	115 V, 12.0 A, 60 Hz
Storage Case	Standard	Standard	Standard	Standard	NA	NA	NA
Motor	1 Hp	1 Hp	1 Hp	1 Hp	1 Hp	1 Hp	1 Hp
Abrasive Size	7" x 7 7/8" Dia. Disc	7" x 7 7/8" Dia. Disc	7" x 7 7/8" Dia. Disc	7" x 7 7/8" Dia. Disc	7" x 7 7/8" Dia. Disc	7" x 7 7/8" Dia. Disc	7" x 7 7/8" Dia. Disc
Disc Rate	2800 rpm	2800 rpm	2800 rpm	2800 rpm	2800 rpm	2800 rpm	2800 rpm
Disc Driver System	Gear Driven	Gear Driven	Gear Driven	Gear Driven	Gear Driven	Gear Driven	Gear Driven
Power Cable	12-3 Gray Rubber	14-3 Gray Rubber	14-3 Gray Rubber	12-3 Gray Rubber	12-3 Gray Rubber	14-3 Gray Rubber	12-3 Gray Rubber
Dust Collection	Standard	Standard	Standard	Standard	Standard	Standard	Standard
Dust Control Rate	110 CFM	110 CFM	110 CFM	110 CFM	110 CFM	110 CFM	110 CFM

Electrical Connection Instructions

SAFETY INSTRUCTIONS

This floor-finishing machine shall be grounded while in use to protect the operator from electrical shock. The machine is provided with a three-conductor cord and a three contact grounding attachment plug to fit the proper grounding type receptacle. The green (or green and yellow) conductor in the cord is the grounding wire. Never connect this wire to other than the grounding pin of the attachment plug.



This machine is for use on a nominal 120 volt or 240 volt circuit and has a grounding plug that resembles the plug illustrated as (A) in the sketch. Make sure that the machine is connected to an outlet having the same configuration as the plug. No adapter should be used with this machine.

Machine Setup

This sanding machine is designed to be operated with a remote vacuum dust collection system or with the included dust bag.

Preparing Remote Vacuum Dust Collection Systems

To prepare the machine for remote vacuum dust collection systems that have a 2" hose end, follow this procedure:

1. Install 2" hose end (figure 1, A) directly over the exhaust tube (figure 1, B).
2. The exhaust tube can be rotated for optimum convenience.

To prepare the machine for remote vacuum dust collection systems that have a 1 1/2" hose end, follow this procedure:

1. Install the 2" x 1 1/2" hose end adaptor (Part No. 30563A) (figure 1, C) over the exhaust tube (figure 1, B).
2. Insert 1 1/2" hose end (figure 1, D) into the adaptor (figure 1, C).

NOTE: Start the remote vacuum collection system before operation.

Preparing to use the included dust bag

To prepare the machine for use with the included dust bag (Part No. 53544B), follow this procedure:

1. Install the dust bag by pressing the end onto the exhaust tube until the ring locks into the groove (figure 2). This is best done by pressing on the back of the bag opening with the palm of your hand.
2. The exhaust tube can be rotated for optimum convenience.
3. To remove the dust bag from the exhaust tube, pry up the end of the bag opening to partially release the internal rib from the groove, then pull.
4. To empty the dust bag, unzip the disposal flap and force contents out by inverting the bag.

NOTE: For best results, empty frequently. Follow all warnings posted in this manual and on the dust bag.

Preparing the Machine for Operation

1. Familiarize yourself with the machine. Read all danger, warning, and caution statements and the Owner's Manual before operating this machine. If you or your operator cannot read English, have this manual explained fully before attempting to operate this machine.
2. Remove screw and abrasive retainer. Center abrasive on pad and secure with abrasive retainer and screw. (Figure 3)
3. Return machine to upright position and tilt machine back on casters until it comes to rest on the exhaust bracket. Machine will be in a reclined position. Do not allow machine to rest on pad especially after use, or compression set may take place within elastomer on pad. This will create a flat spot and bounce during use. (Figure 4)

Figure 1

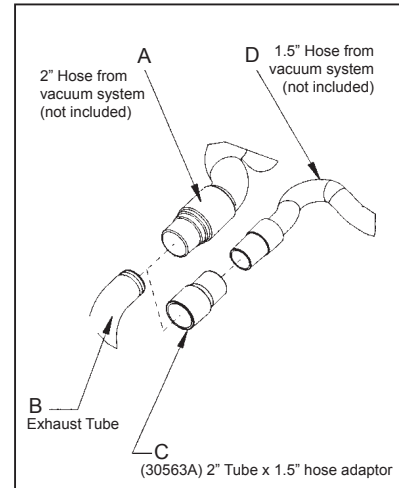


Figure 2

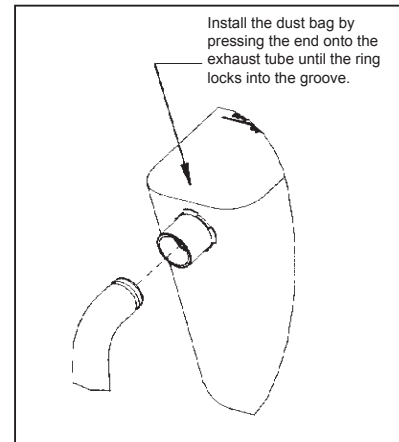


Figure 3

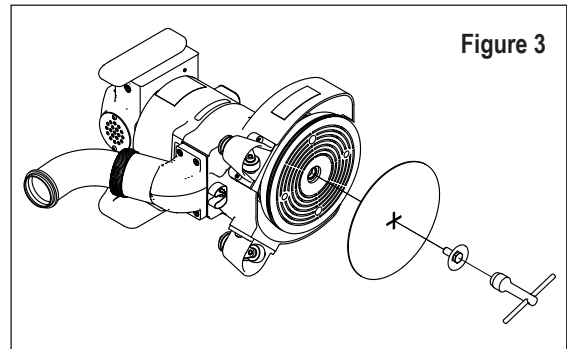
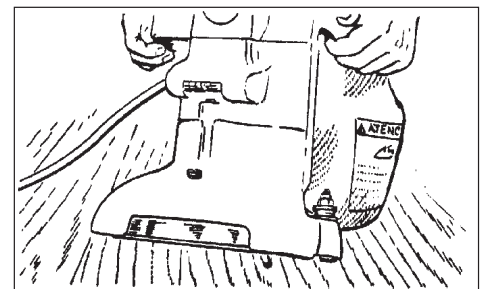


Figure 4



Operating Instructions

1. Move machine to the location of your work. Set any exposed nails with hammer and punch to avoid encounter with abrasive.

WARNING: Bodily injury could occur if power is applied to the machine with the power switch already in the “ON” position. Always check to assure that the power switch is in the “OFF” position before applying power to the power cable.

2. Make sure the control switch is in the “Off” position then connect the supply cable to an appropriately grounded fused circuit. Connect the supply cable to the motor pigtail. (Figure 5)
3. With the machine in the reclined position firmly grasp both handles and flip the control switch to the “ON” position. (Figure 4.)
4. Gradually lower pad to surface intended for sanding. Make sure the machine is in motion while the pad is engaged with the surface to be sanded. You may use broad circular motion as you sand along the length of the surface or you may use a combination of forward and sideward motions. In time you will develop your own technique to optimize coverage and dust recovery. It is advisable to not add effort to the pad as this may lead to “nosing in” or “tipping” which produces grooves or lines on the surface.
5. When replacing abrasive, emptying the contents of the dust bag, or sanding operation is completed, return machine to reclined position, flip control switch to “Off” then disconnect the motor pigtail from the supply cable.
6. Empty dust bag whenever it becomes 1/3 full.

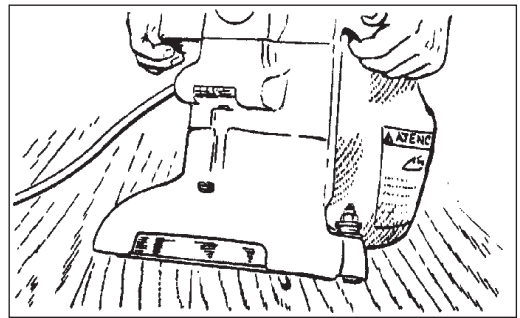


Figure 4

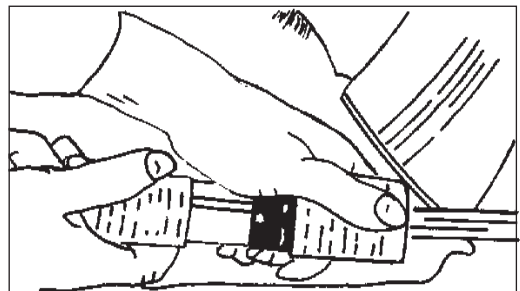


Figure 5

DANGER: Failure to disconnect the supply cable from machine whenever servicing, replacing abrasive, or emptying the dust bag could result in electrocution or severe injury. Never leave machine unattended while the supply cable is connected.

DANGER: Never leave dust bag unattended with sanding dust in it. Sanding dust can spontaneously ignite and cause a fire or explosion. Empty dust bag into a metal container, clear of any combustibles. Do not empty content into a fire. Do not overfill dust bag.

Adjustment Procedures

Leveling

To level machine: Grasp caster adjusting screw "A" with an appropriate tool (pliers ect.). Using a similar tool, loosen locknut "B" with a counter clockwise motion. (Figure 6).

Condition - Pad creates ridges on both edges or a "hop" is experienced: Rotate both adjusting screws equal amounts clockwise. Tighten locknuts and test on a piece of plywood. Repeat procedure until condition is corrected. We recommend you not exceed 1/8" rotation for each attempt.

Condition - Pad creates a ridge on the tip of the pad: Rotate both adjusting screws counter clockwise, tighten locknuts and test. Repeat procedure until condition is corrected. Use only 1/8 rotation for each attempt.

Condition - Pad creates a ridge on only one side of the pad: Either rotate the adjusting screw of the side effected clockwise or rotate the adjusting screw opposite counterclockwise, depending on whether the ridge terminates beyond the tip of the pad or prior to it. If it is prior to the tip, adjust the side effected, otherwise adjust the opposite side.

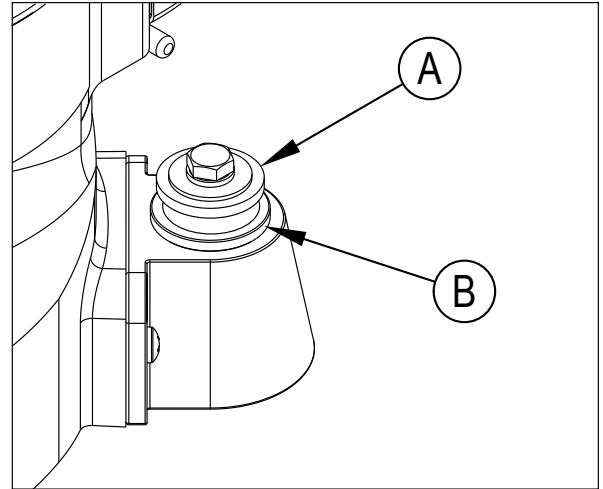


Figure 6

Routine Maintenance

CAUTION: Failure to perform maintenance at recommended intervals may void warranty.

Carbon Brushes

Have the carbon brushes replaced at least every 500 hours and more frequently under heavy use.

Dust Bag

Periodically the dust bag should be turned inside out, shaken vigorously and machine washed in cold water to prevent pore blockage and loss of dust control.

Bearings

To insure reliable performance, have armature and pad driver bearings inspected for wear or damage after every 1500 hours. If used heavily, have the bearings replaced seasonally.

Lubrication

The machine comes fully lubricated. The gears in the gear box have enough lubrication for approximately six months of normal operation. Have the lubricant changed at least every 6 months or more frequently under heavy use.

CAUTION: Maintenance and repairs performed by unauthorized personnel could result in damage or injury. Maintenance and repairs performed by unauthorized personnel will void your warranty. Failure to perform maintenance at recommended intervals may void warranty.

Carbon Brushes

Inspect all four brushes every 6 months or 250 hours. Access to the brushes is gained through the front and back motor vent plugs and under both motor covers (figure 7). Press tab (A) on spring clip assembly in, rotate, then remove (figure 8). Use needlenose pliers to disconnect the shunt wire. If any brush has worn to 3/8" in length or shorter, replace the entire set.



CAUTION: Use only motor brush PN 40818A or PN 40055A with shunt wire or motor failure will occur.

When replacing the brushes make sure that the brush seats against the commutator, the spring rest in the recess of the brush, and the brush is free to travel. When returning the switch cover, keep any wires clear of the commutator and any pinch site.

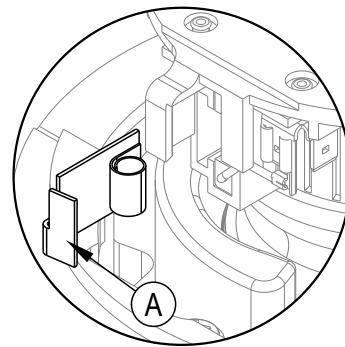
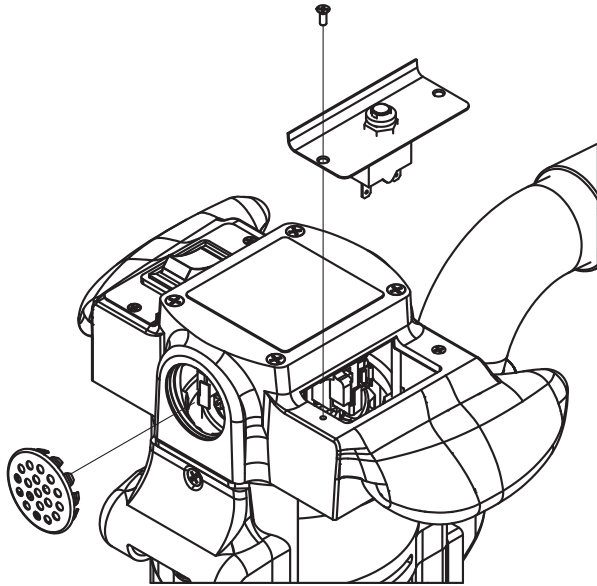


Figure 8

To Change The Lubricant In The Gearbox

To change the lubricant in the gearbox, follow this procedure:

1. Put the machine upside down on a bench.
2. Align one of the two holes in the rubber pad with one of the three holes in the rotating wall guard.
3. Align both holes with one of the three screws in the gear housing cover. Remove the screw from the gear housing cover. (Figure 9)
4. Align the holes with each of the other two screws, then remove screws.



CAUTION: Make sure no dust enters the gear box. Damage will occur to the gear box.

5. Remove the cover from the gear housing.
6. Remove the old lubricant from the gearbox.
7. Add six ounces of American SandersTechnology lubricant to the gear box.



CAUTION: To prevent damage to the motor, do not add more than six ounces of lubricant to the gearbox.

8. Using the three screws removed above, install the cover on the gear housing.
9. Start the machine and let it run for 15 minutes. A small amount of excess lubricant should flow out the vent hole. If none appears it may be necessary to add additional lubricant.
10. Wipe off excess lubricant and clear vent hole.

Lubricants

Qty	Part No.
1Qt.	16610A
1Gal.	16611A

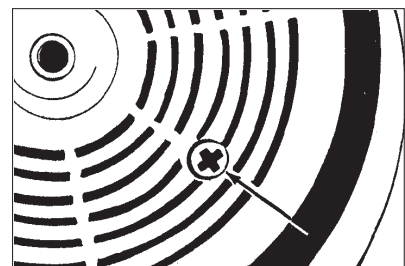


Figure 9

LEA ESTE MANUAL

Este manual contiene información importante acerca del uso y la seguridad de la máquina. Si no lee el manual antes de utilizar su máquina American Sanders o de intentar realizar los procedimientos de reparación o mantenimiento de la misma, usted o el resto del personal podrían sufrir lesiones; asimismo, podrían producirse daños a la máquina o a otras propiedades. Antes de utilizar la máquina, es necesario recibir la capacitación adecuada en la operación de la misma. Si el operador de la máquina no sabe leer en español, explíquelo el manual exhaustivamente antes de que intente utilizarla.

Todas las indicaciones incluidas en este manual se ofrecen desde la posición del operador en la parte posterior de la máquina.

Contents

Instrucciones de seguridad para el operador.....	15
Introducción.....	17
Machine Specifications.....	17
Instrucciones de conexión eléctrica	18
Instalación de la máquina.....	19
Operación de la máquina.....	20-21
Procedimientos de ajuste de la lijadora.....	21
Mantenimiento de rutina.....	22
Parts Manual.....	32
Wiring Diagram.....	33
Lower Assembly.....	34
Upper Assembly.....	36
Warranty.....	38

ADVERTENCIA!

Los Productos a la venta en este Manual contienen, o pueden contener, productos químicos reconocidos por algunos gobiernos (como el Estado de California, según lo indica en su Proposición 65, Ley de Advertencia Regulatoria) como causantes de cáncer, defectos de nacimiento u otros daños reproductivos. En algunas jurisdicciones (incluido el Estado de California), los compradores de estos Productos que los coloquen en servicio en un emplazamiento laboral o en un espacio de acceso público tienen la obligación regulatoria de realizar determinados avisos, advertencias o divulgaciones respecto de los productos químicos contenidos o posiblemente contenidos en los Productos utilizados en tal lugar. Es la responsabilidad del comprador conocer y cumplir con todas las leyes y reglamentaciones relacionadas con el uso de estos Productos en tales entornos. El Fabricante niega toda responsabilidad de informar a los compradores sobre requisitos específicos que pueden regir el uso de los Productos en tales entornos.

*****Este producto está destinado exclusivamente para uso comercial*****

Instrucciones De Seguridad Para El Operador

PELIGRO significa:



Usted u otras personas pueden estar expuestos a sufrir lesiones personales, inclusive la muerte si las indicaciones de **PELIGRO** que se encuentran en esta máquina o en el manual de instrucciones se ignoran o no se tienen en cuenta. Lea y respete todas las indicaciones de **PELIGRO** que se encuentran en el manual de instrucciones y en la máquina.

ADVERTENCIA significa:



Usted u otras personas pueden estar expuestos a sufrir lesiones personales, si las indicaciones de **ADVERTENCIA** que se encuentran en esta máquina o en el manual de instrucciones se ignoran o no se tienen en cuenta. Lea y respete todas las indicaciones de **ADVERTENCIA** que se encuentran en el manual de instrucciones y en su máquina.

PRECAUCIÓN significa:



La máquina u otros bienes pueden sufrir daños materiales si las indicaciones de **PRECAUCIÓN** que se encuentran en la máquina o en el manual de instrucciones se ignoran o no se tienen en cuenta. Lea y respete todas las indicaciones de **PRECAUCIÓN** que se encuentran en el manual de instrucciones y en la máquina.



PELIGRO:

En caso de que no se lea el manual de instrucciones antes de operar este equipo de lijado o realizar el mantenimiento del mismo podría resultar en que el operador u otras personas en el área sufriesen lesiones personales y el equipo podría sufrir daños materiales. Lea y respete todas las indicaciones de seguridad que se encuentran en este manual y en el equipo de lijado. Asegúrese que todas las etiquetas, calcomanías, advertencias, precauciones e instrucciones estén adheridas a la máquina. Reemplace cualquier indicación que esté dañada o falte. Antes de utilizar el equipo, es necesario recibir la capacitación adecuada en la operación del mismo. **Si el operador no puede leer este manual, explíqueselo exhaustivamente antes que intente utilizar este equipo.**



PELIGRO:

El lijado/acabado de pisos de madera puede crear un entorno que puede ser explosivo. Se deberán tener en cuenta los siguientes procedimientos de seguridad:

- Los encendedores, las lámparas indicadoras y cualquier otra fuente de ignición pueden provocar una explosión si se activan durante una sesión de lijado. Si es posible, apague o retire por completo todas las fuentes de ignición del área de trabajo.
- Las áreas de trabajo que estén muy poco ventiladas pueden crear un entorno explosivo cuando se encuentran determinados materiales combustibles en la atmósfera: por ejemplo, solventes, diluyentes, alcoholes, combustibles, ciertos acabados, polvo de madera y otros materiales combustibles. El equipo de lijado de pisos puede provocar la combustión de los materiales y vapores inflamables. Lea la etiqueta del fabricante sobre todas las sustancias químicas utilizadas para determinar su combustibilidad. Mantenga el área de trabajo bien ventilada.
- Pueden producirse una combustión espontánea o una explosión cuando se trabaja con polvo de lijado. El polvo de lijado puede auto-encenderse, provocando lesiones personales y daños materiales. Deshágase del polvo de lijado de una manera adecuada. Vacíe siempre el polvo de lijado dentro de un recipiente de metal que esté localizado fuera del edificio.
- Extraiga el contenido de la bolsa de polvo cuando la misma esté llena a 1/3. Extraiga el contenido de la bolsa de polvo cada vez que termine de usar el equipo. Nunca deje la bolsa sin vigilancia cuando haya polvo de lijado en la misma.
- No vacíe el contenido de la bolsa de polvo en el fuego.
- Golpear un clavo cuando se lija puede causar chispas y crear una explosión o un incendio. Utilice siempre un martillo y perfore para avellanar todos los clavos antes de lijar los pisos.

**PELIGRO:**

La operación de equipo de lijado parcialmente ensamblado podría provocar que el operador o las personas en el área de trabajo sufriesen lesiones, y también podría causar daños materiales al equipo o a otros bienes.



- No opere este equipo a menos que esté totalmente ensamblado y que todas las protecciones, puertas y tapas estén bien aseguradas en su lugar.
- Mantenga todas las sujeciones apretadas.
- Mantenga todos los ajustes dentro de las especificaciones del fabricante.

**PELIGRO:**

Las partes móviles de este equipo de lijado pueden causar lesiones al operador o a las personas que se encuentren en el área de trabajo.

- Mantenga las manos, los pies y la vestimenta suelta alejados de todas las partes móviles.
- No cambie ni ajuste el abrasivo mientras el equipo de lijado esté en funcionamiento.
- No realice ningún servicio de reparación o mantenimiento al equipo de lijado mientras esté en funcionamiento.

**PELIGRO:**

Este equipo de lijado requiere un suministro de electricidad. El uso inadecuado podría provocar una descarga eléctrica o un incendio.

- Conecte únicamente a un suministro eléctrico que coincida con lo que se muestra en la placa de identificación del equipo.
- No utilice este equipo de lijado sobre un circuito eléctrico sin conexión a tierra. Consulte con un electricista si sospecha que el circuito no está adecuadamente conectado a tierra.
- No utilice este equipo de lijado con un cable eléctrico dañado. Inspecciones antes de cada uso.
- Evite golpear el cable eléctrico con el abrasivo. Eleve siempre el cable eléctrico sobre el equipo de lijado.
- No utilice el cable eléctrico para mover el equipo.
- Desconecte el suministro eléctrico antes de realizar un servicio de reparación o mantenimiento al equipo.

**ADVERTENCIA:**

En el caso de que la bolsa se prenda fuego, el operador puede resultar lesionado si está atado o sujeto al equipo. Utilice el cinturón operativo adecuadamente (siga el procedimiento de la página 11).

**ADVERTENCIA:**

Si no se utilizan los dispositivos de protección personal correctos mientras se realiza el lijado, el operador o cualquier persona en el área de trabajo pueden sufrir lesiones. Utilice siempre protección respiratoria, ocular y auditiva mientras realice una operación de lijado.

**ADVERTENCIA:**

Pueden producirse lesiones personales si se aplica potencia al equipo con el interruptor de alimentación ya situado en la posición "ON" (Encendido). Asegúrese siempre de que el interruptor de alimentación esté en la posición "OFF" (Apagado) antes de conectar la fuente de alimentación.

**PRECAUCIÓN:**

El mantenimiento y las reparaciones realizados por personal no autorizado podrían producir daños materiales o lesiones personales. El mantenimiento y las reparaciones realizadas por personal no autorizado anularán su garantía. El mantenimiento y las reparaciones de esta unidad siempre deben ser realizados por un distribuidor autorizado de American Sanders.

**PRECAUCIÓN:**

Si utiliza este equipo para desplazar otros objetos o para subirse al mismo se pueden producir lesiones o daños. No utilice este equipo como escalera ni como mueble. No se suba al equipo.

**PRECAUCIÓN:**

Si el equipo no se guarda correctamente en un edificio sin humedad podría resultar dañado. Guarde el equipo en un lugar seco.

**PRECAUCIÓN:**

El equipo es pesado. Cuando transporte el equipo, extraiga el motor. Consiga ayuda para elevar el equipo y el motor.

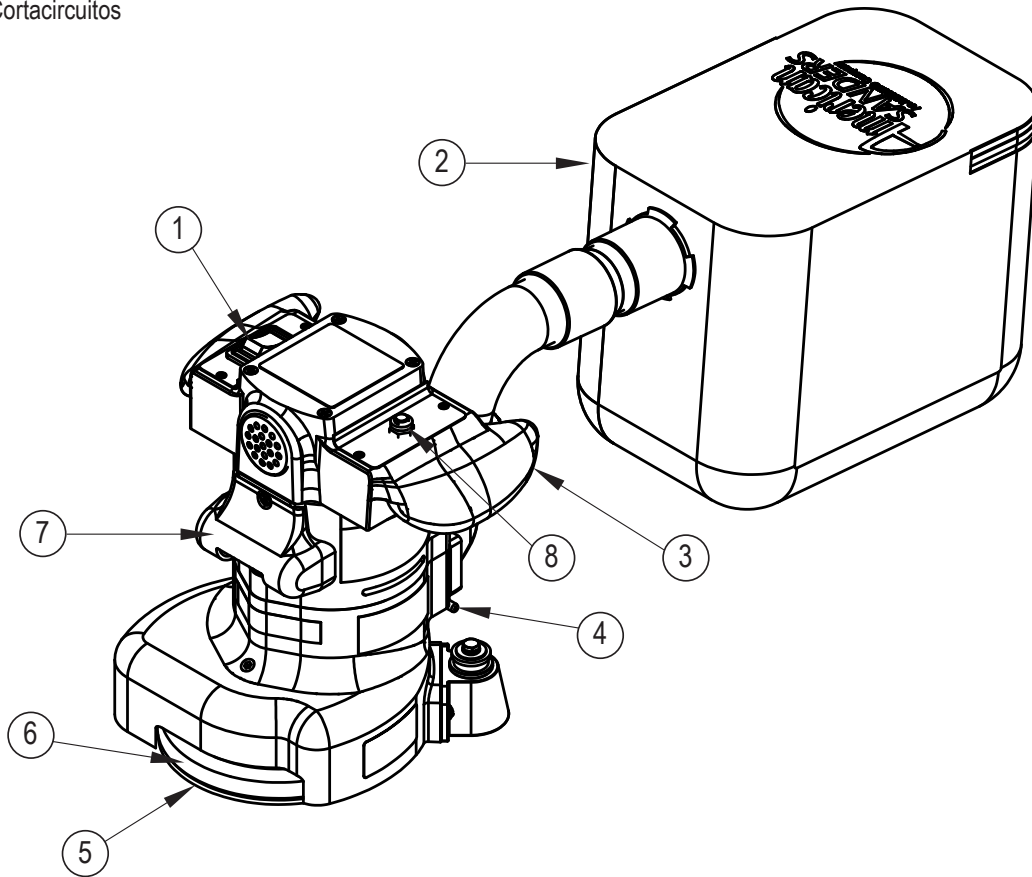
**PRECAUCIÓN:**

Se puede causar un daño grave al piso si el equipo de lijado se deja funcionando en un lugar mientras el tambor de lijado está en contacto con el piso. Para evitar dañar el piso, comience a lijar a una velocidad de lijado normal. Cuando baje o eleve la rueda de contacto, hágalo en el menor tiempo posible. Lije siempre a una velocidad constante.

Introducción

CONOZCA SU MÁQUINA

- 1 Interruptor de control
- 2 Bolsa colectora de polvo
- 3 Manijas de funcionamiento
- 4 Llave del abrasivo
- 5 Almohadilla de lijado de goma moldeada y reforzada con acero
- 6 Protección de pared
- 7 Luz de funcionamiento
- 8 Cortacircuitos

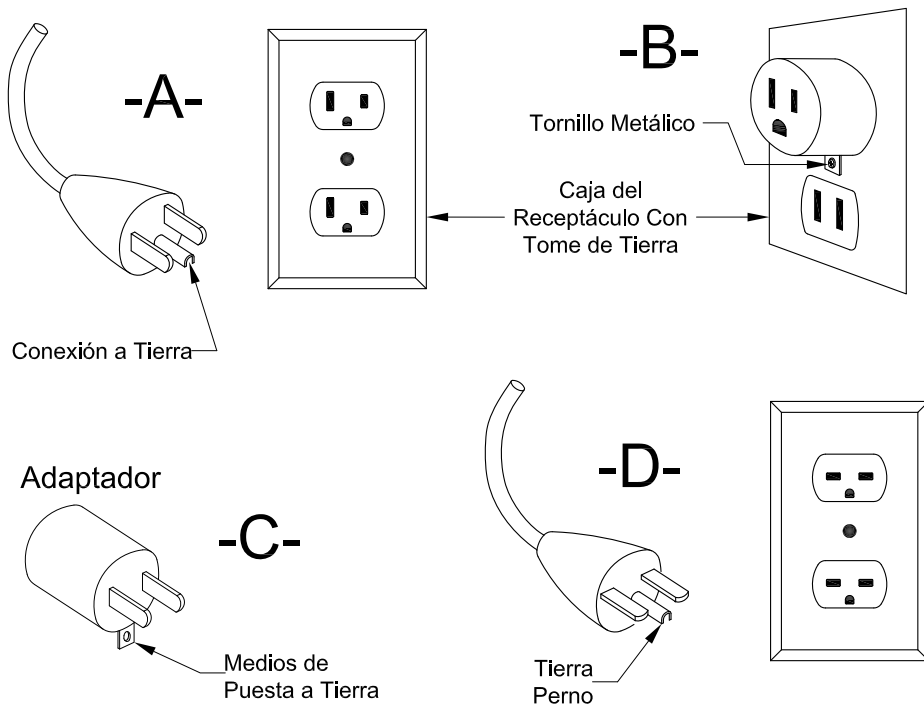


Modelo	07209A	07208A	07125A	07013A	07013B	07208B	07209B
Requerimientos eléctricos	115 V, 12.0 A, 60 Hz	115 V, 12.0 A, 60 Hz	115 V, 12.0 A, 60 Hz	115 V, 12.0 A, 60 Hz	115 V, 12.0 A, 60 Hz	115 V, 12.0 A, 60 Hz	115 V, 12.0 A, 60 Hz
Caja de almacenamiento	Standard	Standard	Standard	Standard	NA	NA	NA
Motor	1 Hp	1 Hp	1 Hp	1 Hp	1 Hp	1 Hp	1 Hp
Tamaño del abrasivo	7" x 7 7/8" Dia. Disc	7" x 7 7/8" Dia. Disc	7" x 7 7/8" Dia. Disc	7" x 7 7/8" Dia. Disc	7" x 7 7/8" Dia. Disc	7" x 7 7/8" Dia. Disc	7" x 7 7/8" Dia. Disc
Velocidad de disco	2800 rpm	2800 rpm	2800 rpm	2800 rpm	2800 rpm	2800 rpm	2800 rpm
Sistema del impulsor de disco	Gear Driven	Gear Driven	Gear Driven	Gear Driven	Gear Driven	Gear Driven	Gear Driven
Cable de alimentación	12-3 Gray Rubber	14-3 Gray Rubber	14-3 Gray Rubber	12-3 Gray Rubber	12-3 Gray Rubber	14-3 Gray Rubber	12-3 Gray Rubber
Colector de polvo	Standard	Standard	Standard	Standard	Standard	Standard	Standard
Tasa de control de polvo	110 CFM	110 CFM	110 CFM	110 CFM	110 CFM	110 CFM	110 CFM

Instrucciones de conexión eléctrica

Esta máquina para pisos de acabado deberá estar conectada a tierra mientras esté en uso para proteger al operador de una descarga eléctrica. La máquina está provista de un cable de tres conductores y un accesorio de conexión a tierra de tres contactos de enchufe para adaptarse al receptáculo de conexión a tierra adecuada. El conductor verde (o verde y amarillo) en el cable es el cable a tierra. Nunca conecte este cable a otro que el pasador de puesta a tierra del enchufe.

Esta máquina es para uso en un circuito nominal de 120 voltios y tiene un enchufe de conexión a tierra que se parece al enchufe illustrated como (A) en el boceto. Asegúrese de que la máquina está conectada a un tomacorriente que tenga la misma configuración que el enchufe. Sin adaptador se debe utilizar con esta máquina.



Instalación de la máquina

Esta lijadora está diseñada para utilizarse con un sistema colector de polvo remoto mediante vacío o con la bolsa de polvo incluida.

Preparación de los sistemas colectores de polvo remotos mediante vacío

Si desea preparar la máquina para sistemas colectores de polvo remotos mediante vacío que tengan un extremo de manguera de 2", siga este procedimiento:

1. Instale el extremo de manguera de 2" (figura 1, A) directamente sobre el tubo de escape (figura 1, B).
2. El tubo de escape puede girarse para mayor comodidad.

Si desea preparar la máquina para sistemas colectores de polvo remotos mediante vacío que tengan un extremo de manguera de 1½", siga este procedimiento:

1. Instale el adaptador del extremo de manguera de 2" x 1½" (Nº de pieza 30563A) (figura 1, C) sobre el tubo de escape (figura 1, B).
2. Inserte el extremo de manguera de 1½" (figura 1, D) en el adaptador (figura 1, C).

NOTA: Ponga en marcha el sistema colector remoto mediante vacío antes de encender la máquina.

Preparación para usar la bolsa de polvo incluida

Si desea preparar la máquina para su uso con la bolsa de polvo incluida (Nº de pieza 53544B), siga este procedimiento.

1. Instale la bolsa de recolección de polvo presionando el extremo del tubo de escape hasta que el anillo encaje dentro de la ranura (figura 2). El mejor modo de hacer esto es presionando la parte posterior de la abertura de la bolsa con la palma de su mano.
2. El tubo de escape puede girarse para mayor comodidad.
3. Para retirar la bolsa de polvo del tubo de escape, haga palanca hacia arriba en el extremo de la abertura de la bolsa para liberar parcialmente el saliente interno de la ranura, y después tire.
4. Para vaciar la bolsa de polvo, abra la aleta de vaciado y saque sus contenidos dando la vuelta a la bolsa.

NOTA: Para lograr los mejores resultados, vacíe frecuentemente. Siga todas las advertencias incluidas en el manual y en la bolsa de polvo.

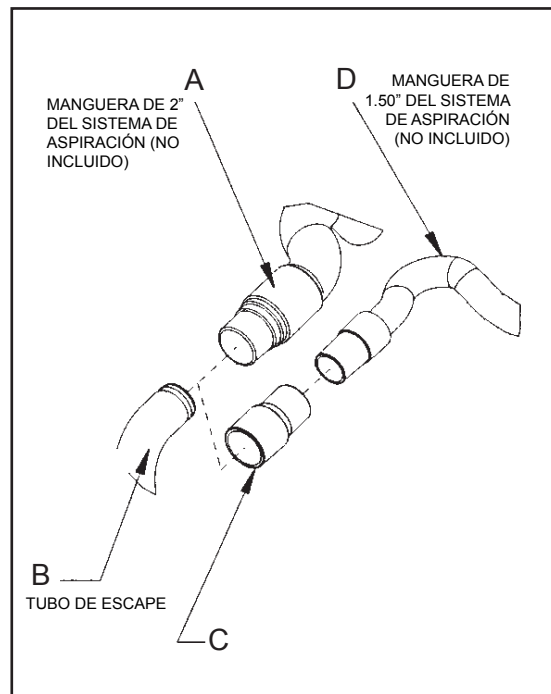


Figura 1

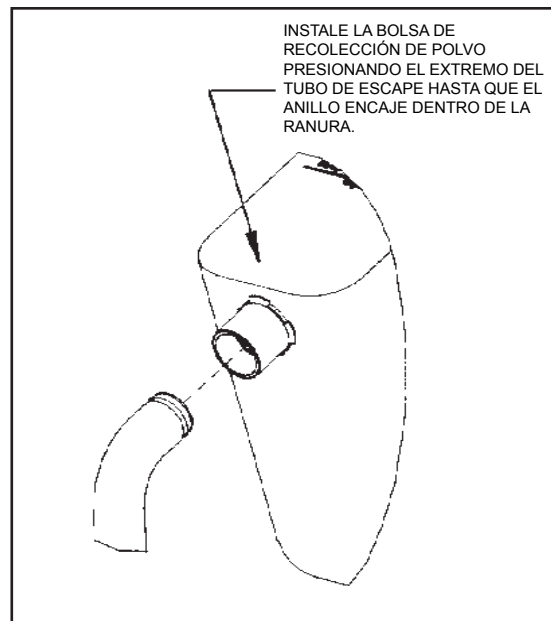


Figura 2

Instalación de la máquina

Preparando la máquina para la operación

1. Veuillez prendre connaissance de l'appareil et lisez toutes les notices de danger, d'avertissements et de mises en garde. Assurez-vous que tous les opérateurs de cet appareil ont bien lu le Manuel de l'utilisateur. S'ils ne sont pas en mesure de lire ce Manuel, ils devront se le faire expliquer entièrement avant d'utiliser la ponceuse.
2. Saque el tornillo y el retenedor del abrasivo. Centre el abrasivo sobre la almohadilla y asegúrelo con el retenedor y el tornillo del abrasivo. (Figura 3)
3. Vuelva a colocar la máquina en posición vertical e inclínela hacia atrás sobre las roldanas pivotantes hasta que se apoye sobre la abrazadera de escape. La máquina estará en posición reclinada. No deje que la máquina permanezca apoyada sobre la almohadilla, especialmente después del uso, ya que de lo contrario se podrá producir el endurecimiento por compresión dentro del elastómero de la almohadilla. Esto creará una parte plana y rebotes durante el uso. (Figura 4)

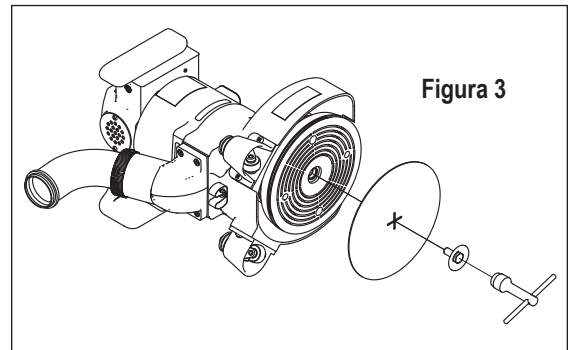
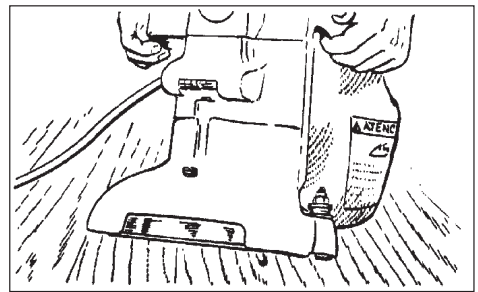


Figura 3

Figura 4



Operación de la máquina

1. Desplace la máquina al lugar de trabajo. Fije cualquier anillo expuesto con martillo y embudidor para evitar que se tope con el abrasivo. Conecte el cable de alimentación a un circuito adecuadamente provisto de toma de tierra y fusibles.

⚠ ADVERTENCIA: Pueden producirse lesiones corporales si se aplica potencia a la máquina con el interruptor de control colocado en la posición "ON" (Encendido). Verifique siempre que el interruptor de control se encuentre en posición "OFF" (Apagado) antes de enchufar el cable de alimentación.

2. Asegúrese de que el interruptor de control esté ajustado en "OFF" (Apagado). Para la posición "OFF" (Apagado), el interruptor se mueve hacia el lado del operador. Vea la marca en el interruptor. Conecte el cable de alimentación al cable eléctrico del motor. (Figura 5)
3. Con la máquina en posición reclinada, tome firmemente las dos manijas y mueva el interruptor de control a la posición "ON" (Encendido). (Figura 4)
4. Baje gradualmente la almohadilla a la superficie destinada a ser lijada. Asegúrese de que la máquina esté en movimiento mientras la almohadilla está engranada con la superficie a lijar. Puede usar un movimiento circular amplio mientras lija a lo largo de la superficie o una combinación de movimientos hacia adelante y hacia los costados. Con el tiempo desarrollará su propia técnica, lo cual le permitirá optimizar la cobertura y la recolección de polvo. Es aconsejable no agregar esfuerzo a la almohadilla ya que esto podría conducir a la "elevación de la parte delantera" o a la "inclinación" y como resultado quedarían ranuras o líneas en la superficie.

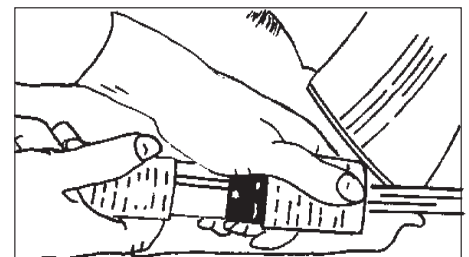


Figura 5

Operación de la máquina

5. Al cambiar el abrasivo, vacíe el contenido de la bolsa de polvo o, al terminar el lijado, vuelva a dejar la máquina en la posición reclinada, desactive el interruptor de control en la posición "OFF" (Apagado), luego desconecte el cable eléctrico del motor del cable de alimentación.
6. Vacíe la bolsa de polvo cada vez que se llene hasta 1/3 de su capacidad.



PELIGRO: La falta de desconexión del cable de alimentación de la máquina cuando se realiza el servicio de la misma, se cambia el abrasivo o se vacía la bolsa de polvo, podría producir una electrocución o lesiones graves. Nunca deje la máquina sin vigilancia mientras se encuentra conectado el cable de alimentación.



PELIGRO: Nunca deje la bolsa sin vigilancia cuando haya polvo de lijado en la misma. El polvo de lijado puede auto-encenderse, provocando un incendio o una explosión. Vacíe la bolsa en un recipiente de metal que no contenga ningún material combustible. No vacíe el contenido sobre fuego. No llene la bolsa de polvo en exceso.

Procedimientos de ajuste de la lijadora

Nivelación

Para nivelar la máquina: tome el tornillo de ajuste de la roldana pivotante "A" con una herramienta adecuada (pinzas, etc.). Usando una herramienta similar, afloje la tuerca de seguridad "B" mediante un movimiento en dirección contraria a las agujas del reloj. (Figura 6).

Condición - La almohadilla crea salientes en los dos bordes o se experimenta un "salto": Rote los tornillos de ajuste en igual medida en sentido de las agujas del reloj. Apriete las tuercas de seguridad y pruebe sobre un trozo de madera contrachapada. Repita el procedimiento hasta que se corrija la condición. Recomendamos que no se exceda una rotación de 1/8" en cada intento.

Condición - La almohadilla crea un saliente en la punta de la almohadilla: Rote los dos tornillos de ajuste en sentido contrario a las agujas del reloj, ajuste las tuercas de seguridad y pruebe. Repita el procedimiento hasta que se corrija la condición. Use únicamente una rotación de 1/8 en cada intento.

Condición - La almohadilla crea un saliente sólo en un lado de la almohadilla: Rote el tornillo de ajuste del lado afectado en sentido de las agujas del reloj, o rote el tornillo de ajuste opuesto en dirección contraria a las agujas del reloj, dependiendo de si el saliente termina más allá de la punta de la almohadilla o antes de la misma. Si es antes de la punta, ajuste el lado afectado, y en caso contrario ajuste el lado opuesto.

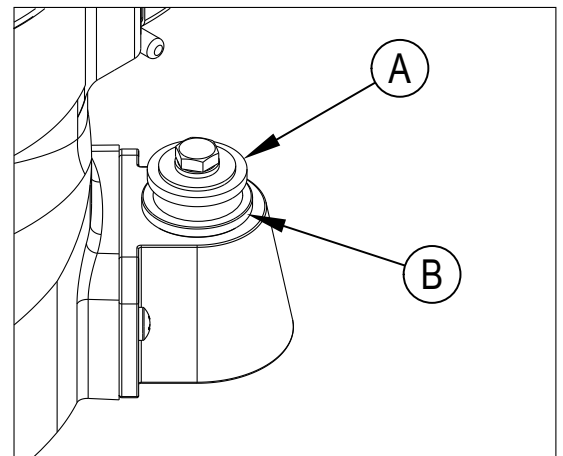


Figura 6

Mantenimiento de rutina

PRECAUCIÓN: si no se realiza el mantenimiento a los intervalos recomendados la garantía puede quedar invalidada.

Escobillas de carbón

Reemplace las escobillas de carbón por lo menos cada 500 horas y con mayor frecuencia si el uso es intensivo.

Bolsa de polvo

Periódicamente se debe dar vuelta la bolsa de polvo, sacudiéndola enérgicamente y lavándola a máquina en agua fría para evitar que se bloqueen los poros y que pierda su capacidad de recolectar polvo.

Cojinetes

Para asegurar un rendimiento fiable, es necesario inspeccionar los cojinetes del rotor y del impulsor de la almohadilla después de 1500 horas de funcionamiento, a los efectos de detectar desgaste o daños. Si la máquina se utiliza de forma intensiva, los cojinetes se deben cambiar estacionalmente.

Lubricación

La máquina se entrega completamente lubricada. Los engranajes en la caja de engranajes tienen suficiente lubricación para aproximadamente seis meses de funcionamiento normal. Cambie el lubricante por lo menos cada 6 meses y con mayor frecuencia si el uso es intensivo.

PRECAUCIÓN: el mantenimiento y las reparaciones realizados por personal no autorizado podrían producir daños materiales o lesiones personales. El mantenimiento y las reparaciones realizadas por personal no autorizado anularán su garantía. Si no se realiza el mantenimiento a los intervalos recomendados la garantía puede quedar invalidada.

Escobillas de carbón

Inspeccione las cuatro escobillas cada 6 meses ó 250 horas. El acceso a las escobillas se realiza a través de los orificios delanteros y traseros de ventilación del motor y debajo de las dos cubiertas del motor (figura 7). Presione hacia dentro la lengüeta (A) que se encuentra sobre el montaje de la abrazadera con resorte, rótelas y luego retírelas (figura 8). Use pinzas de punta de aguja para desconectar el cable de desviación. Si alguna escobilla se desgasta hasta 3/8" de su longitud o más, cambie el conjunto completo.

Figura 7

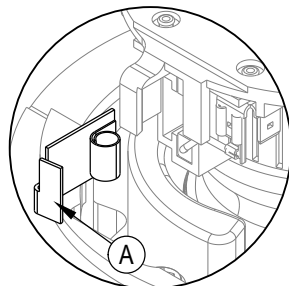
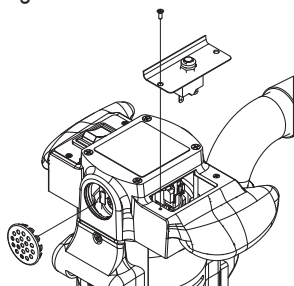


Figura 8

PRECAUCIÓN: use únicamente escobillas de motor N° de pieza 40055A ó 40818A con cable de desviación, ya que de lo contrario puede producirse una avería del motor.

Al cambiar las escobillas, asegúrese de que la escobilla se asiente contra el conmutador, el resorte descansa en el entrante de la escobilla, y la escobilla pueda desplazarse libremente. Al volver a colocar la cubierta de los interruptores, mantenga todos los cables separados del conmutador y de cualquier lugar de estrechamiento.

Para cambiar el lubricante en la caja de cambios

Para cambiar el lubricante de la caja de cambios, siga este procedimiento:

1. Dé la vuelta a la máquina sobre un banco.
2. Alinee uno de los dos orificios de la almohadilla de goma con uno de los tres orificios de la protección de pared rotativa.
3. Alinee ambos orificios con uno de los tres tornillos de la cubierta del alojamiento de los engranajes. Retire el tornillo de la cubierta del alojamiento de los engranajes. (Figura 9)
4. Alinee los orificios con cada uno de los otros dos tornillos, y después retire los tornillos.

PRECAUCIÓN: asegúrese de que no entra polvo en la caja de cambios. Se podría dañar la caja de cambios.

5. Saque la cubierta del alojamiento de los engranajes.
6. Saque el lubricante viejo de la caja de cambios.
7. Agregue seis onzas de lubricante American Sanders Technology a la caja de cambios.

PRECAUCIÓN: para evitar daños al motor, no agregue más de seis onzas de lubricante a la caja de cambios.

8. Utilizando los tres tornillos retirados anteriormente, instale la cubierta en el alojamiento de los engranajes.
9. Ponga en marcha la máquina y déjala funcionar durante 15 minutos. Una pequeña cantidad del lubricante que sobra debe salir por el orificio de ventilación. Si no sale nada, puede ser necesario agregar lubricante adicional.
10. Limpie el exceso lubricante y el orificio de ventilación.

lubricantes

Cantidad	N° de pieza
1cuarto	16610A
1galón	16611A

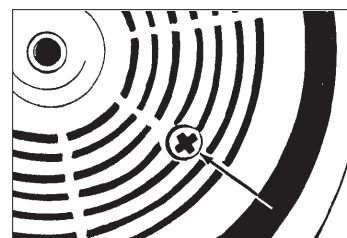


Figura 9

LISEZ CE MANUEL

Ce Manuel contient des informations importantes concernant l'utilisation et le fonctionnement de cette machine dans des conditions de sécurité optimales. La non-lecture de ce manuel avant d'utiliser ou d'entretenir votre machine American Sanders risque de provoquer un accident ou d'endommager la machine ou son environnement. Vous devez avoir été formé à l'utilisation de cette machine avant de l'utiliser. Si l'opérateur n'est pas en mesure de lire ce Manuel, il devra se le faire expliquer entièrement avant de tenter d'utiliser cette machine.

Toutes les directions données dans ce Manuel le sont par rapport à la position de l'opérateur, à l'arrière de la machine.

Contents

Consignes de securite destinees a l'operateur.....	24
Introduction.....	26
Spécifications de l'appareil.....	26
Consignes de sécurité.....	27
Préparation de l'appareil.....	28
Utilisation de l'appareil.....	29
Réglage de la ponceuse.....	30
Entretien.....	30-31
Parts Manual.....	32
Wiring Diagram.....	33
Lower Assembly.....	34
Upper Assembly.....	36
Warranty.....	38



AVERTISSEMENT !

Les Produits vendus avec le présent manuel contiennent ou peuvent contenir des produits chimiques reconnus par certains gouvernements (comme l'État de Californie, par le biais de la proposition de loi d'avertissement réglementaire 65) comme provoquant des cancers, des anomalies congénitales et autres dangers pour la reproduction. Dans certains endroits (comme l'État de Californie), les acheteurs de ces Produits, qui les utilisent sur un lieu de travail ou dans un espace public, ont l'obligation d'apposer certains avis, avertissements ou informations concernant les produits chimiques qui sont ou peuvent être contenus dans les Produits dans ces lieux ou aux alentours de ces lieux de travail. Il incombe à l'acheteur de connaître les dispositions de, et de respecter, toutes les lois et réglementations ayant trait à l'utilisation de ces Produits au sein de tels environnements. Le Fabricant rejette toute responsabilité d'informer les acheteurs concernant des exigences spécifiques qui peuvent s'appliquer à l'utilisation des Produits dans de tels environnements.

*****Ce produit est destiné pour une utilisation commerciale.*****

Consignes De Securite Destinees A L'operateur

DANGER signifie:



De graves blessures corporelles, voire la mort, peuvent survenir si les déclarations DANGER apposées sur l'appareil ou inscrites dans le Manuel de l'utilisateur sont ignorées ou ne sont pas suivies. Lisez et respectez toutes les consignes DANGER se trouvant dans le Manuel de l'utilisateur et sur l'appareil.

AVERTISSEMENT signifie:



Des blessures corporelles peuvent survenir si les MISES EN GARDES apposées sur l'appareil ou inscrites dans le Manuel de l'utilisateur sont ignorées ou ne sont pas suivies. Lisez et respectez toutes les AVERTISSEMENTS inscrits dans le Manuel de l'utilisateur et apposés sur l'appareil.

MISE EN GARDE signifie:



Il y a risque de dommages à l'appareil ou à la propriété si les MISES EN GARDES apposées sur l'appareil ou inscrites dans le Manuel de l'utilisateur sont ignorées ou ne sont pas suivies. Lisez et respectez toutes les MISES EN GARDE se trouvant dans le Manuel de l'utilisateur et apposées sur l'appareil.



DANGER:



À défaut de lire le Manuel de l'utilisateur avant l'utilisation ou l'entretien de cet appareil de ponçage peut provoquer des blessures corporelles à l'opérateur ou toute autre personne et endommager l'appareil. Lisez et respectez toutes les consignes de sécurité décrites dans ce Manuel et apposées sur l'appareil de ponçage. Assurez-vous que tous les autocollants, décalcomanies, avertissements, mises en garde et directives sont apposés sur l'appareil. Remplacez tous ceux endommagés ou manquants. Vous devez avoir été formé à l'utilisation de cette appareil avant de l'utiliser. Si l'opérateur est incapable de lire ce manuel, le faire expliquer dans son intégralité avant qu'il essaie d'utiliser cet appareil.



DANGER:



- Les briquets, les flammes pilote et toute autre source d'inflammation peuvent provoquer une explosion si actionnés au cours d'un ponçage. Toutes sources d'inflammation devraient être éteintes ou retirées entièrement, si possible, de la zone de travail.
- Les zones de travail peu aérées peuvent se transformer en un environnement déflagrant lorsque certains matériaux combustibles sont présents dans l'atmosphère notamment les solvants, diluants, alcool, combustibles, certains finis, poussières de bois et autres matériaux combustibles. Les appareils de ponçage de plancher peuvent inflammer le matériel et les vapeurs. Bien lire l'étiquette du fabricant sur tous les produits chimiques pour évaluer la combustibilité. Veillez à ce que la zone de travail soit bien aérée.
- La combustion spontanée ou une explosion est possible lors de travaux avec poussière de ponçage. La poussière de ponçage peut s'inflammer elle-même et provoquer des blessures ou des dommages. Veillez éliminer adéquatement la poussière de ponçage. Videz toujours la poussière de ponçage dans un contenant en métal situé à l'extérieur de tout(tous) édifice(s).
- Videz le sac de dépoussiérage lorsqu'il est plein au tiers de sa capacité. Videz le contenu du sac de dépoussiérage à chaque fois que vous avez terminé avec l'appareil. Ne laissez jamais un sac de dépoussiérage sans surveillance avec de la poussière de bois.
- Ne jetez pas le contenu du sac de dépoussiérage dans un feu.
- En cours de ponçage, il est possible de provoquer une étincelle en heurtant un clou et ainsi, provoquer une explosion ou un incendie. Utilisez toujours un marteau et un poinçon pour fraisurer tous clous avant de sabler/poncer un plancher.

**DANGER:**

Le fonctionnement d'un appareil de ponçage partiellement assemblé peut blesser l'opérateur ou une personne à proximité et provoquer des dommages à l'appareil ou à la propriété d'autrui.



- N'utilisez pas cet appareil jusqu'à ce qu'il soit entièrement assemblé avec tous les dispositifs de protections, portes et couvercles solidement fixés.
- Veillez à ce que tous les dispositifs de fixation soient serrés.
- Suivez toutes les spécifications de réglage du fabricant.

**DANGER:**

les pièces mobiles de cet appareil de ponçage peut blesser l'opérateur ou une personne à proximité.

- Tenez les mains, pieds et vêtements amples loin de toutes pièces mobiles.
- Ne changez pas ou n'ajustez pas le papier abrasif alors que l'appareil de ponçage est en fonctionnement.
- N'effectuez pas l'entretien de l'appareil de ponçage en cours de fonctionnement.

**DANGER:**

Cet appareil de ponçage exige une source d'alimentation électrique. Une utilisation inadéquate pourrait provoquer un choc électrique ou une électrocution ou un incendie.

- Branchez l'appareil uniquement à une source d'alimentation qui correspond aux indications de la plaque signalétique.
- Utilisez cet appareil de ponçage uniquement sur un circuit électrique mis à la terre. Consultez un électricien si vous croyez que le circuit n'est pas correctement mis à la terre.
- N'utilisez pas cet appareil de ponçage avec un cordon d'alimentation endommagé. Inspectez l'appareil avant chaque usage.
- Ne heurtez pas le cordon d'alimentation avec le papier abrasif. Soulevez toujours le cordon d'alimentation au-dessus de l'appareil de ponçage.
- N'utilisez pas le cordon d'alimentation pour déplacer l'appareil de ponçage.
- Débranchez de la source d'alimentation avant d'effectuer une réparation ou un entretien sur cet appareil.

**AVERTISSEMENT:**

Dans le cas d'un sac de dépoussiérage en feu, l'opérateur peut se blesser s'il est attaché ou relié à l'appareil avec une sangle. Utilisez correctement la ceinture de travail (suivez la procédure à la page 11).

**AVERTISSEMENT:**

L'opérateur, ou toute personne à proximité, doit porter une tenue de protection en cours de ponçage pour prévenir les blessures. Utilisez toujours une protection oculaire et auditive ainsi qu'un appareil respiratoire lors de tout ponçage/sablage.

**AVERTISSEMENT:**

Il y a un risque potentiel de blessures corporelles si l'appareil est mis sous tension avec l'interrupteur déjà en position de marche (ON). Assurez-vous toujours que l'interrupteur soit en position d'arrêt (OFF) avant de mettre l'appareil sous tension.

**MISE EN GARDE :**

Les opérations de maintenance et les réparations effectuées par des techniciens non agréés risquent d'entraîner des dommages ou des blessures corporelles. Les opérations de maintenance et les réparations effectuées par des techniciens non agréés annuleront votre garantie. Dirigez-vous toujours à un distributeur agréé American Sanders pour toutes réparations de cet appareil.

**MISE EN GARDE:**

L'utilisation de cet appareil pour déplacer ou monter sur des objets peut provoquer un accident ou entraîner des dégâts matériels. Ne pas utiliser cet appareil comme marchepied ou comme meuble. Ne montez pas sur cet appareil.

**MISE EN GARDE:**

Il y a un risque d'endommager l'appareil si celui-ci n'est pas entreposé dans un bâtiment à l'abri de l'humidité. Rangez l'appareil dans un établissement à l'abri de l'humidité.

**MISE EN GARDE :**

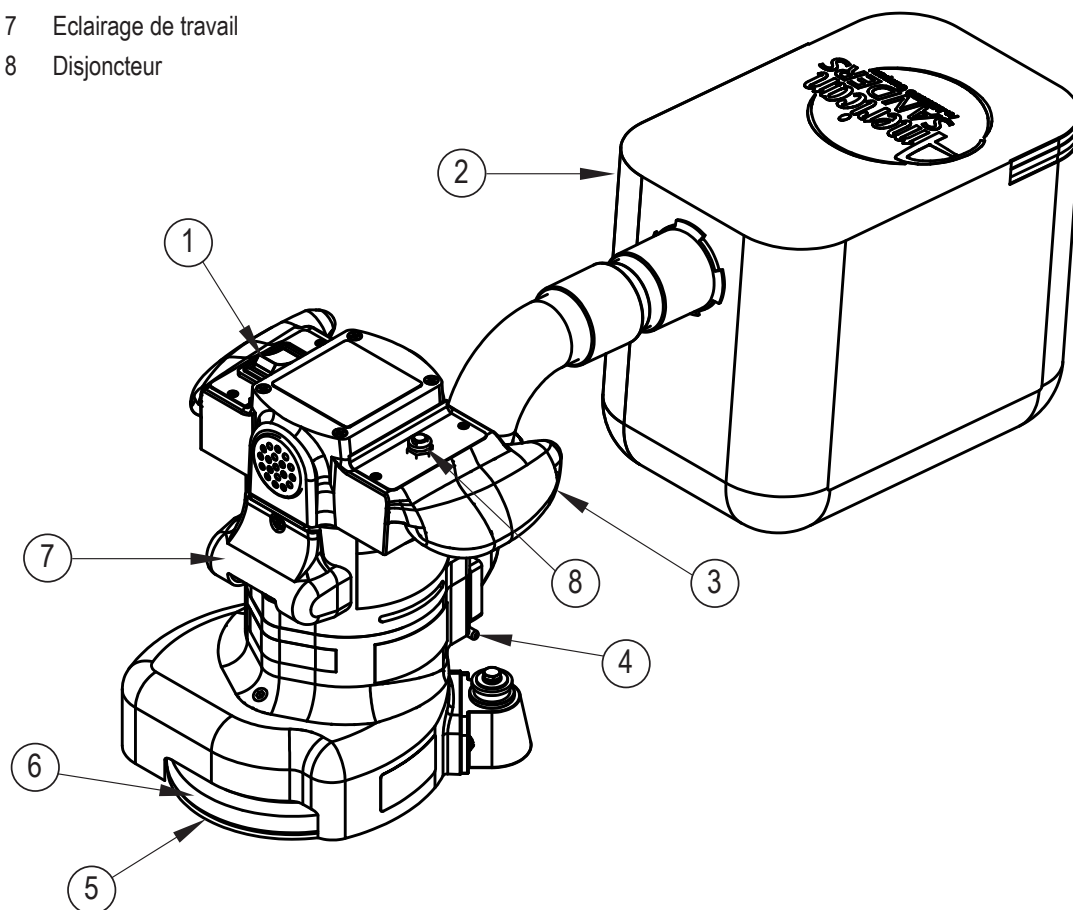
Cet appareil est lourd. Pour le transport de l'appareil, déposez le moteur. Demandez de l'aide pour soulever l'appareil et le moteur.

**MISE EN GARDE :**

Il y a un risque de dommages graves au plancher si l'appareil de ponçage fonctionne en continu au même endroit avec le tambour de ponçage directement sur le plancher. Pour empêcher tout dommage au plancher, poncer légèrement à un régime de ponçage normal. Ne vous arrêtez pas lors de la levée ou de l'abaissement du tambour. Poncez ou sablez toujours à un régime constant.

APPRENEZ À CONNAÎTRE VOTRE MACHINE

- 1 Commutateur de commande
- 2 Sac à poussières
- 3 Manettes
- 4 Clé abrasif
- 5 Disque de ponçage en caoutchouc moulé et acier renforcé
- 6 Protection murale
- 7 Eclairage de travail
- 8 Disjoncteur

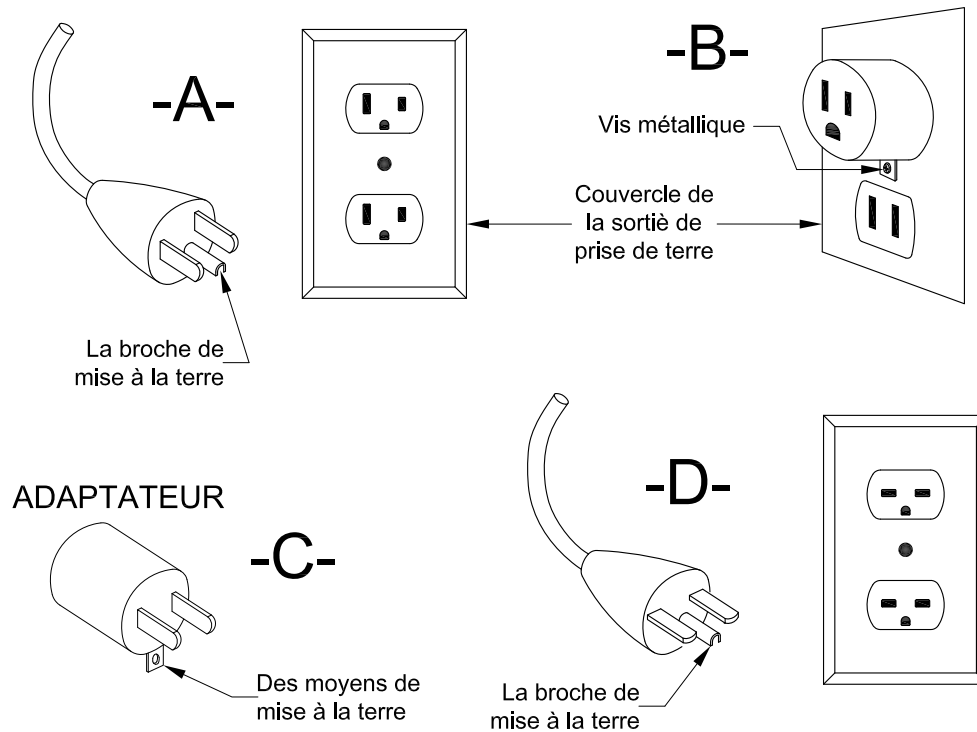


Model	07209A	07208A	07125A	07013A	07013B	07208B	07209B
Spécifications électriques	115 V, 12.0 A, 60 Hz	115 V, 12.0 A, 60 Hz	115 V, 12.0 A, 60 Hz	115 V, 12.0 A, 60 Hz	115 V, 12.0 A, 60 Hz	115 V, 12.0 A, 60 Hz	115 V, 12.0 A, 60 Hz
Sac de rangement	Standard	Standard	Standard	Standard	NA	NA	NA
Moteur	1 Hp	1 Hp	1 Hp	1 Hp	1 Hp	1 Hp	1 Hp
Dimensions abrasif	Disque Diamètre 17,8 x 2,2 cm	Disque Diamètre 17,8 x 2,2 cm	Disque Diamètre 17,8 x 2,2 cm	Disque Diamètre 17,8 x 2,2 cm	Disque Diamètre 17,8 x 2,2 cm	Disque Diamètre 17,8 x 2,2 cm	Disque Diamètre 17,8 x 2,2 cm
Vitesse du disque	2800 tours/ min	2800 tours/ min	2800 tours/ min	2800 tours/ min	2800 tours/ min	2800 tours/ min	2800 tours/ min
Système porte-disque	à engrenage	à engrenage	à engrenage	à engrenage	à engrenage	à engrenage	à engrenage
Câble d'alimentation	Caoutchouc gris 12-3	Caoutchouc gris 14-3	Caoutchouc gris 14-3	Caoutchouc gris 12-3	Caoutchouc gris 12-3	Caoutchouc gris 14-3	Caoutchouc gris 12-3
Collecte des poussières	Standard	Standard	Standard	Standard	Standard	Standard	Standard
Débit de régulation des poussières	186 m ³ /heure	186 m ³ /heure	186 m ³ /heure	186 m ³ /heure	186 m ³ /heure	186 m ³ /heure	186 m ³ /heure

Consignes De Sécurité

Cette machine doit être mise à la terre lors de son utilisation pour protéger l'utilisateur contre les chocs électriques. La machine est équipée d'un cordon à trois conducteurs et une prise de fixation avec mise à la terre de type «trois contacts » pour s'adapter à la prise de terre appropriée. Le conducteur vert (ou vert et jaune) dans le cordon est le fil de mise à la terre. Ne jamais connecter ce fil autre que à la broche de mise à la terre de la prise de fixation.

Cette machine doit être utilisée sur un circuit nominal de 120 volts et a une fiche de mise à la terre qui ressemble à la fiche illustrée par (A) dans l'esquisse. Assurez-vous que la machine est connectée à une prise ayant la même configuration que la fiche. Aucun adaptateur ne doit être utilisé avec cette machine.



Préparation de l'appareil

Cette ponceuse est conçue pour fonctionner équipée d'un système à distance de collecte des poussières par le vide, ou du sac à poussières fourni.

Préparation des systèmes à distance de collecte des poussières par le vide

Pour préparer la machine à l'utilisation d'un système à distance de collecte des poussières par le vide ayant une extrémité de tuyau de 5 cm, procéder comme suit:

1. Monter l'extrémité de tuyau de 5 cm (figure 1, A) directement sur le tuyau d'évacuation (figure 1, B).
2. Il est possible de tourner le tuyau d'évacuation pour plus de commodité.

Pour préparer la machine à l'utilisation d'un système à distance de collecte des poussières par le vide ayant une extrémité de tuyau de 3,80 cm, procéder comme suit:

1. Monter l'adaptateur d'extrémité de tuyau (5 x 3,8 cm- Pièce n° 30563A) (figure 1, C) sur le tuyau d'évacuation (figure 1, B).
2. Introduire l'extrémité de tuyau de 3,80 cm (figure 1, D) dans l'adaptateur (figure 1, C).

NOTE: Faire démarrer le système à distance de collecte par le vide avant de travailler.

Préparation pour utilisation du sac à poussières fourni

Pour préparer la machine à l'utilisation du sac à poussières fourni (Pièce n° 53544B), procéder comme suit:

1. Installez le sac à poussières en appuyant son extrémité sur le tuyau d'évacuation jusqu'à ce que l'anneau se verrouille dans la rainure (figure 2). On y parvient plus facilement en appuyant sur l'arrière de l'ouverture du sac avec la paume de la main.
2. Il est possible de tourner le tuyau d'évacuation pour plus de commodité.
3. Pour retirer le sac à poussières du tuyau d'évacuation, soulever l'extrémité de l'ouverture du sac pour partiellement dégager la nervure interne de la rainure, puis tirer.
4. Pour vider le sac à poussières, ouvrir la fermeture éclair de la trappe d'évacuation des déchets et expulser le contenu en retournant le sac.

NOTE: Pour obtenir les meilleurs résultats, vider fréquemment le sac. Respecter toutes les mises en garde indiquées dans le présent manuel et sur le sac à poussières.

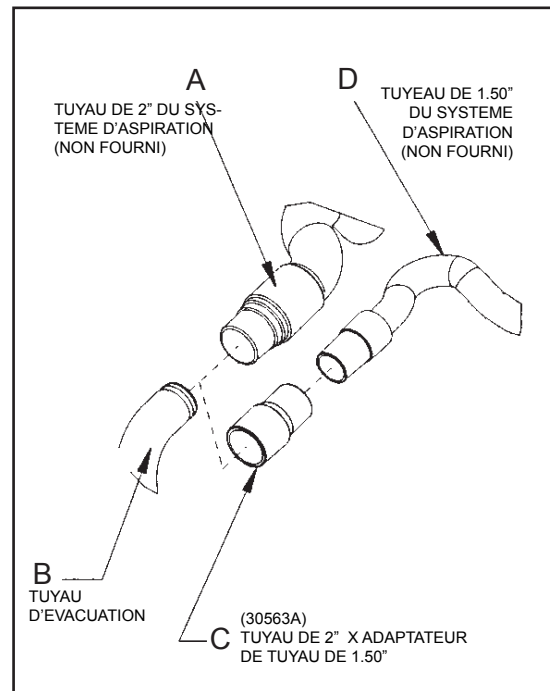


Figure 1

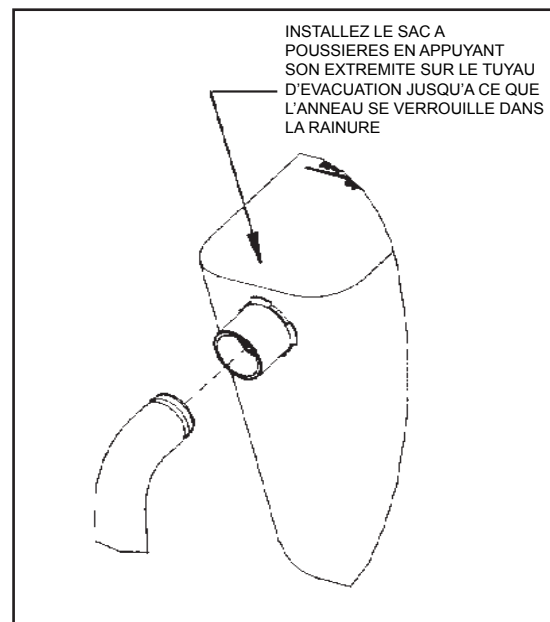


Figure 2

Préparation de l'appareil

La préparation de la machine pour l'opération

1. Veuillez prendre connaissance de l'appareil et lisez toutes les notices de danger, d'avertissements et de mises en garde. Assurez-vous que tous les opérateurs de cet appareil ont bien lu le Manuel de l'utilisateur. S'ils ne sont pas en mesure de lire ce Manuel, ils devront se le faire expliquer entièrement avant d'utiliser la ponceuse.
2. Retirer la vis et la bride retenant l'abrasif. Centrer l'abrasif sur le patin, fixer la bride et visser la vis (Figure 3).
3. Retourner la machine en position verticale et pencher la machine en arrière sur les roulettes jusqu'à ce qu'elle vienne reposer sur le support de l'évacuation. La machine se trouvera en position basculée. Ne pas laisser la machine reposer sur le patin, surtout après utilisation, sinon une déformation sous pression risque de se produire dans l'élastomère du patin. Cela créera un endroit plat et un rebond pendant l'utilisation (Figure 4).

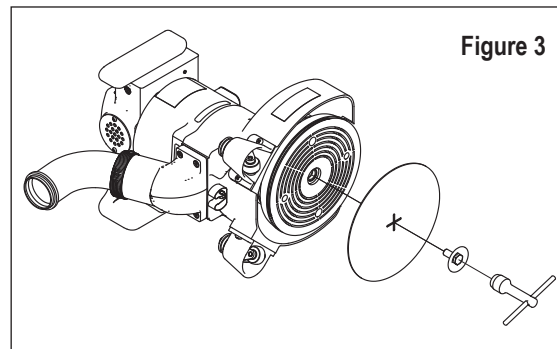


Figure 3

Utilisation de l'appareil

1. Transporter la machine sur le lieu de travail. Repérer tous les clous exposés et les enfoncez avec un marteau pour éviter toute rencontre avec l'abrasif. Brancher le câble d'alimentation sur un circuit adéquat, à fusibles et mis à la terre.

⚠ AVERTISSEMENT : Des blessures corporelles peuvent se produire si la machine est mise sous tension alors que le commutateur de commande se trouve en position "ON" (marche). Toujours vérifier que le commutateur de commande se trouve en position "OFF" (arrêt) avant de brancher le câble d'alimentation.

2. Vérifier que le commutateur de commande est sur "OFF". En position "OFF", le commutateur est tourné vers l'opérateur. Voir les marquages sur le commutateur. Raccorder le câble d'alimentation au câble électrique du moteur. (Figure 5)

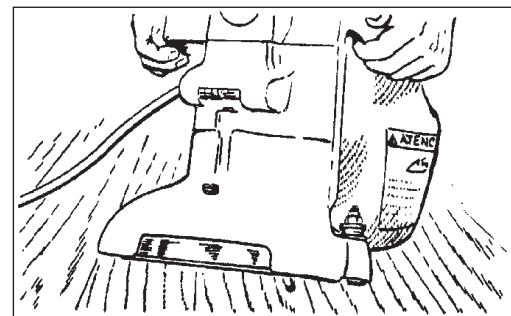


Figure 4

3. La machine étant en position basculée, saisir fermement les deux poignées et mettre le commutateur de commande sur "ON" (Figure 4).
4. Abaissez graduellement le patin sur la surface à poncer. Assurez-vous que la machine est en mouvement lorsque le patin est en contact avec la surface à poncer. Vous pouvez utiliser un large mouvement circulaire à mesure que vous poncez la surface en longueur, ou vous pouvez utiliser une combinaison de mouvements en avant et sur le côté. Avec le temps, vous mettez au point votre propre technique pour optimiser la couverture et la récupération des poussières. Il est conseillé de ne pas appliquer d'effort sur le patin car cela peut conduire à une "infiltration" ou un "déversement" produisant des stries ou des lignes sur la surface.

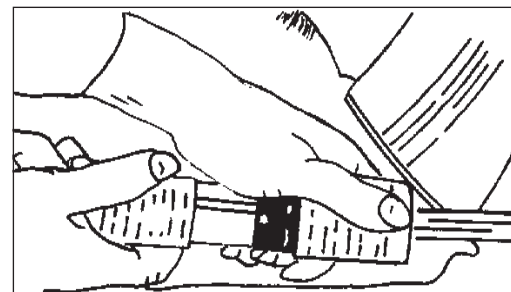


Figure 5

5. Pour remplacer l'abrasif, pour vider le contenu du sac à poussière ou lorsque le ponçage est terminé, replacez la machine en position basculée, positionnez le commutateur de commande sur "OFF", puis débranchez le câble électrique du moteur du câble d'alimentation.
6. Videz le sac à poussière lorsqu'il est plein au tiers.

Utilisation de l'appareil

! DANGER: Tout manquement à débrancher le câble d'alimentation de la machine lors de l'entretien, du remplacement de l'abrasif ou du vidage du sac à poussière peut entraîner une électrocution ou de graves blessures. Ne jamais laisser la machine sans surveillance lorsque le câble d'alimentation est branché.

! DANGER: Ne jamais laisser le sac à poussière sans surveillance, avec des poussières de ponçage à l'intérieur. La poussière de ponçage peut s'enflammer spontanément et provoquer un incendie ou une explosion. Vider le sac à poussière dans un conteneur métallique, exempt de matériaux combustibles. Ne pas vider le contenu dans un feu. Ne pas trop remplir le sac à poussière.

Réglage de la ponceuse

Mise à niveau

Pour mettre la machine de niveau : Saisir la vis de réglage "A" située sur la roulette à l'aide d'un outil adapté (pinces, etc.). Avec un outil similaire, dévisser l'écrou "B" en tournant dans le sens antihoraire. (Figure 6)

Situation : Le patin crée des sillons sur les deux côtés ou on rencontre un "sautillement" : Tourner les deux vis de réglage en quantités égales, dans le sens horaire. Serrer les écrous et tester sur un morceau de contreplaqué. Répéter la procédure jusqu'à obtenir la situation correcte. Nous recommandons de ne pas dépasser une rotation de 30 mm à chaque essai.

Situation - Le patin crée un sillon à la pointe du patin : Tourner les deux vis de réglage dans le sens antihoraire, serrer les écrous et tester. Répéter la procédure jusqu'à obtenir la situation correcte. N'utiliser qu'une rotation de 30 mm à chaque essai.

Situation - Le patin crée un sillon sur un seul côté du patin : Tourner la vis de réglage située sur le côté affecté dans le sens horaire, ou tourner la vis de réglage opposée dans le sens anti-horaire, selon que le sillon s'arrête au-delà de la pointe du patin ou avant. S'il se termine avant la pointe, régler le côté affecté, sinon régler le côté opposé.

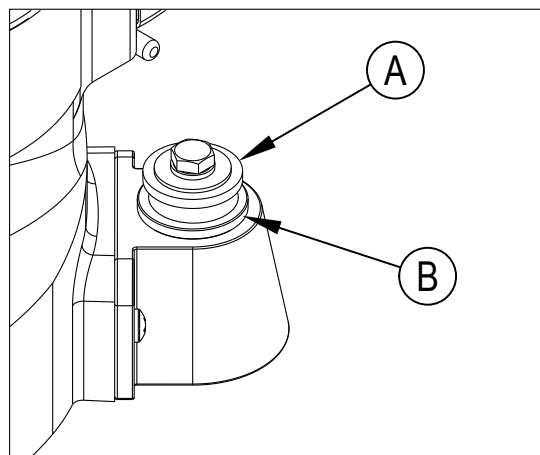


Figure 6

Entretien

! MISE EN GARDE: Tout manquement à exécuter la maintenance à intervalles réguliers peut annuler la garantie.

Balais de carbone

Faites remplacer les balais de carbone au moins toutes les 500 heures et plus fréquemment en cas d'utilisation intensive.

Sac à poussière

Périodiquement, le sac à poussière doit être tourné sur l'envers, secoué vigoureusement et passé en machine à laver en eau froide pour éviter le bouchage des pores et une perte du contrôle des poussières.

Roulements

Pour garantir des performances fiables, toutes les 1500 heures, il convient d'examiner les roulements de l'armature et du porte-disque pour vérifier l'usure ou l'absence de dégâts. S'ils sont très utilisés, les roulements devront être remplacés de manière saisonnière.

Lubrification

La machine est fournie entièrement lubrifiée. Les engrenages de la boîte d'engrenages ont suffisamment de graisse pour environ six mois de fonctionnement normal. Faites changer la graisse ou moins tous les 6 mois ou plus souvent en cas d'utilisation intensive.



MISE EN GARDE: La maintenance et les réparations exécutées par un personnel non autorisé peuvent entraîner des dégâts ou des blessures. Un personnel non autorisé annuleront la garantie.
Tout manquement à exécuter la maintenance à intervalles réguliers peut annuler la garantie.

Balais en carbone

Examiner les quatre balais tous les 6 mois ou toutes les 250 heures. L'accès aux balais s'effectue par les bouchons d'aération avant et arrière du moteur et sous les deux capots du moteur (Figure 7). Appuyer sur la patte (A) située sur l'attache à ressort, tourner puis déposer (Figure 8). Utiliser une pince à bec effilé pour débrancher le fil de dérivation. Si l'un des balais est usé sur une longueur d'un centimètre ou moins, remplacer tout le jeu.



MISE EN GARDE: N'utiliser que le balai de moteur portant le numéro de pièce 40818A ou 40055A avec fil de dérivation, sinon il se produira une panne de moteur.

Lors du remplacement des balais, s'assurer que le balai est placé contre le commutateur, que le ressort repose dans l'encoche du balai, et que le balai se déplace librement. Lors de la remise en place du couvercle d'interrupteur, dégager tous les fils électriques du commutateur et vérifier l'absence de pincement.

Pour changer le lubrifiant de la boîte d'engrenage

Pour changer le lubrifiant de la boîte d'engrenage, procéder comme suit :

1. Renverser la machine sur un établi.
2. Aligner l'un des deux trous du patin en caoutchouc avec l'un des trois trous de la protection murale rotative.
3. Aligner les deux trous avec l'une des trois vis du couvercle du carter de l'engrenage. Retirer la vis du couvercle du carter de l'engrenage. (Figure 9)
4. Aligner les trous avec chacune des deux autres vis, puis retirer les vis.

MISE EN GARDE: S'assurer qu'aucune poussière ne pénètre dans la boîte d'engrenage. La boîte d'engrenage serait endommagée.

5. Déposer le couvercle du carter de l'engrenage.
6. Éliminer l'ancien lubrifiant de la boîte d'engrenage.
7. Ajouter 170 grammes de lubrifiant SandersTechnology dans la boîte d'engrenage.

MISE EN GARDE: Pour ne pas endommager le moteur, ne pas ajouter plus de 170 grammes de lubrifiant dans la boîte d'engrenage.

8. À l'aide des trois vis retirées précédemment, monter le couvercle sur le carter de l'engrenage.
9. Démarrer la machine et laisser tourner pendant 15 minutes. Un petit excédent de lubrifiant devrait s'écouler du trou d'aération. Si ce n'est pas le cas, il peut être nécessaire d'ajouter du lubrifiant.
10. Essuyer l'excédent de lubrifiant et dégager le trou d'aération.

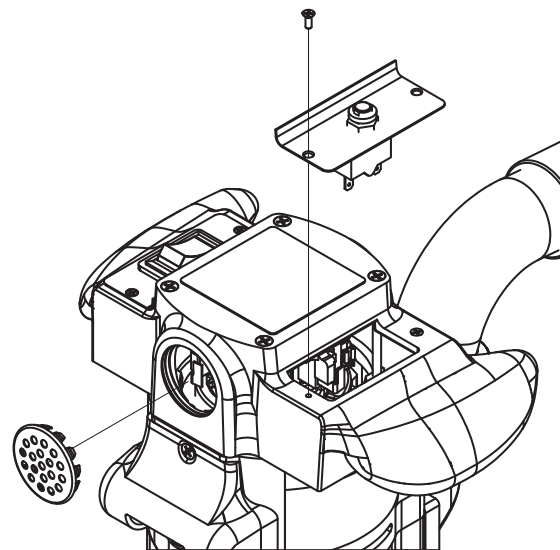


Figure 7

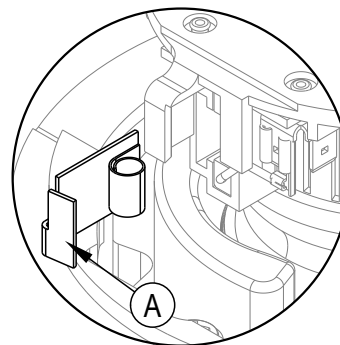


Figure 8

Lubrifiant

Qté	N° Pièce
1 litre	16610A
1 litres	16611A

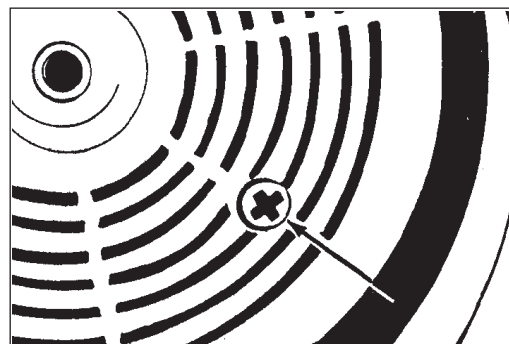


Figure 9

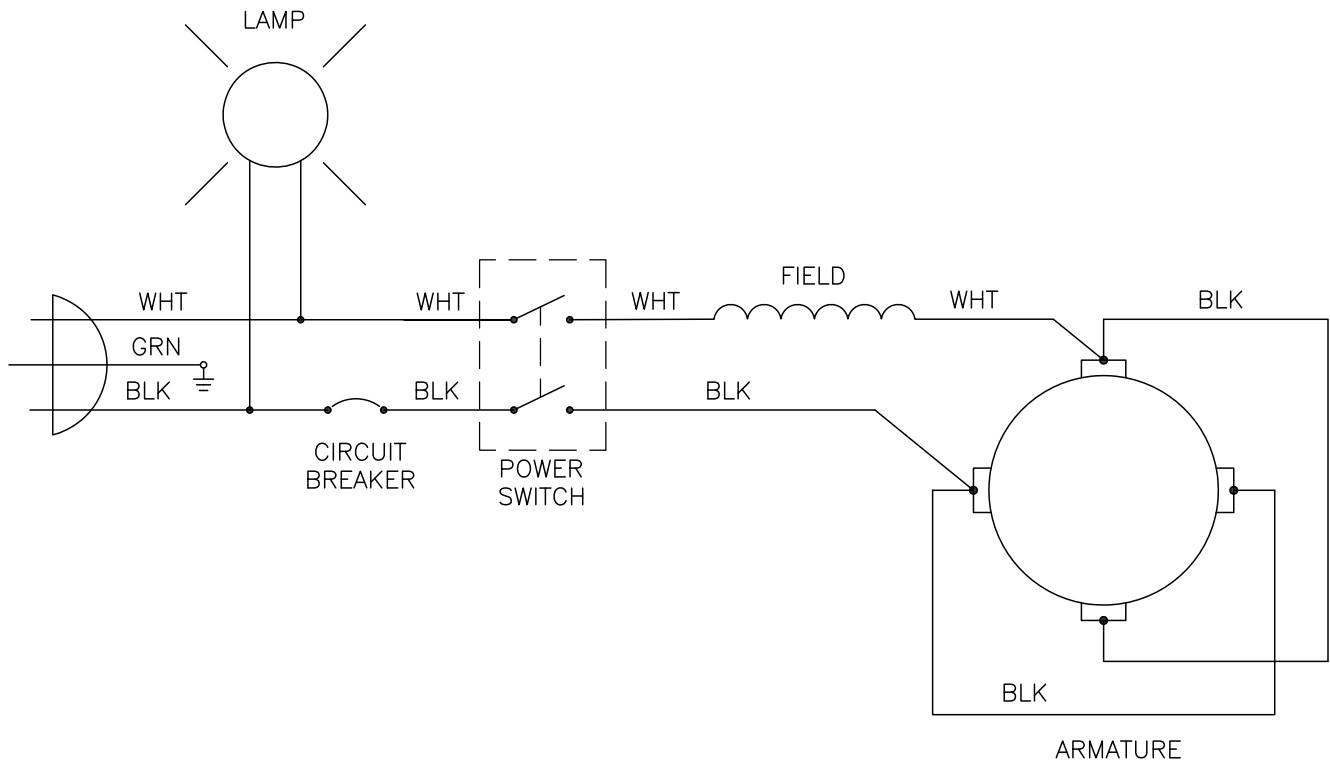
Super 7R

7" Edger
Operator's Manual

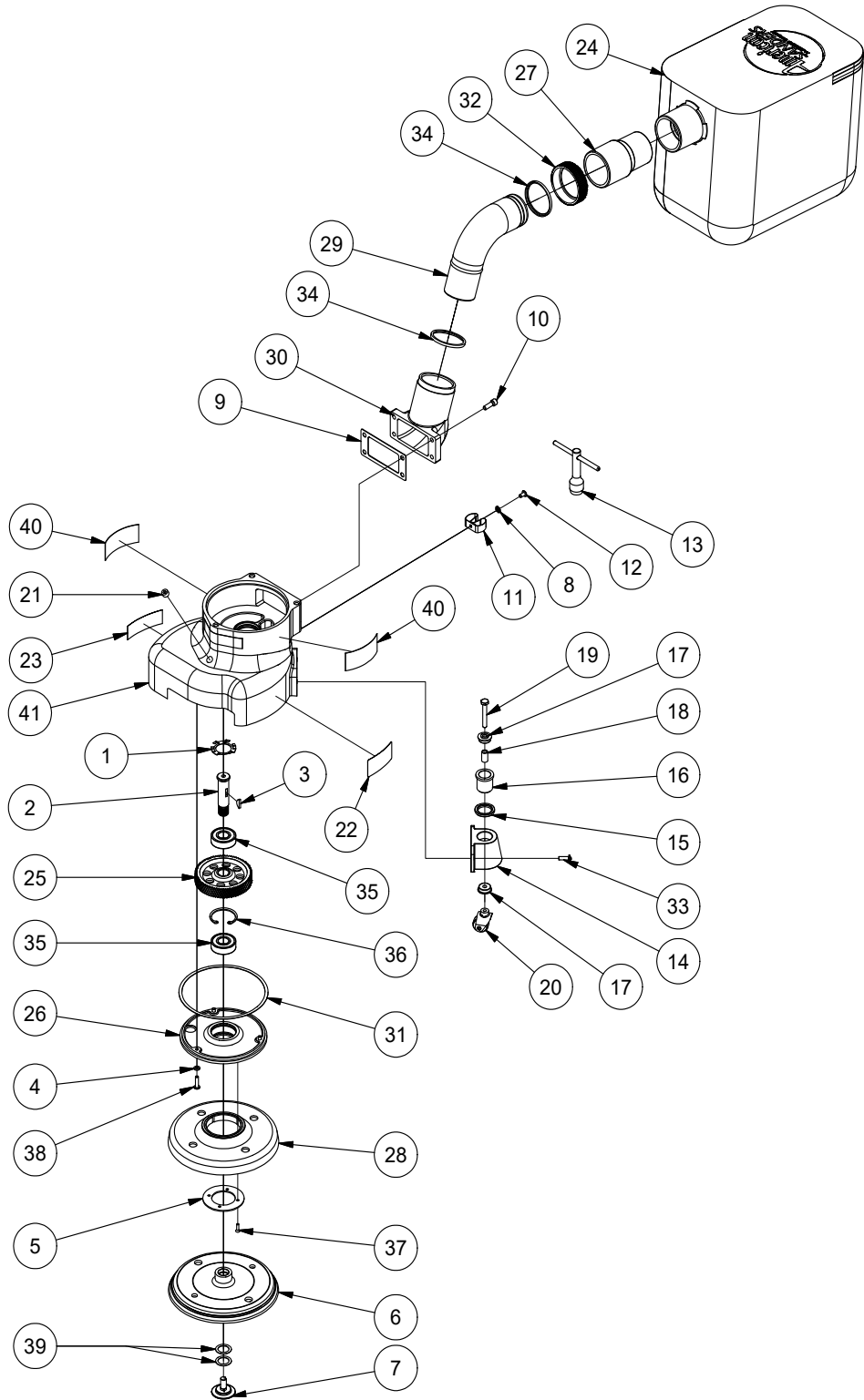
Notes:



Wiring Diagram



LOWER ASSEMBLY FOR
07208A, 07209A, 07208B, 07209B



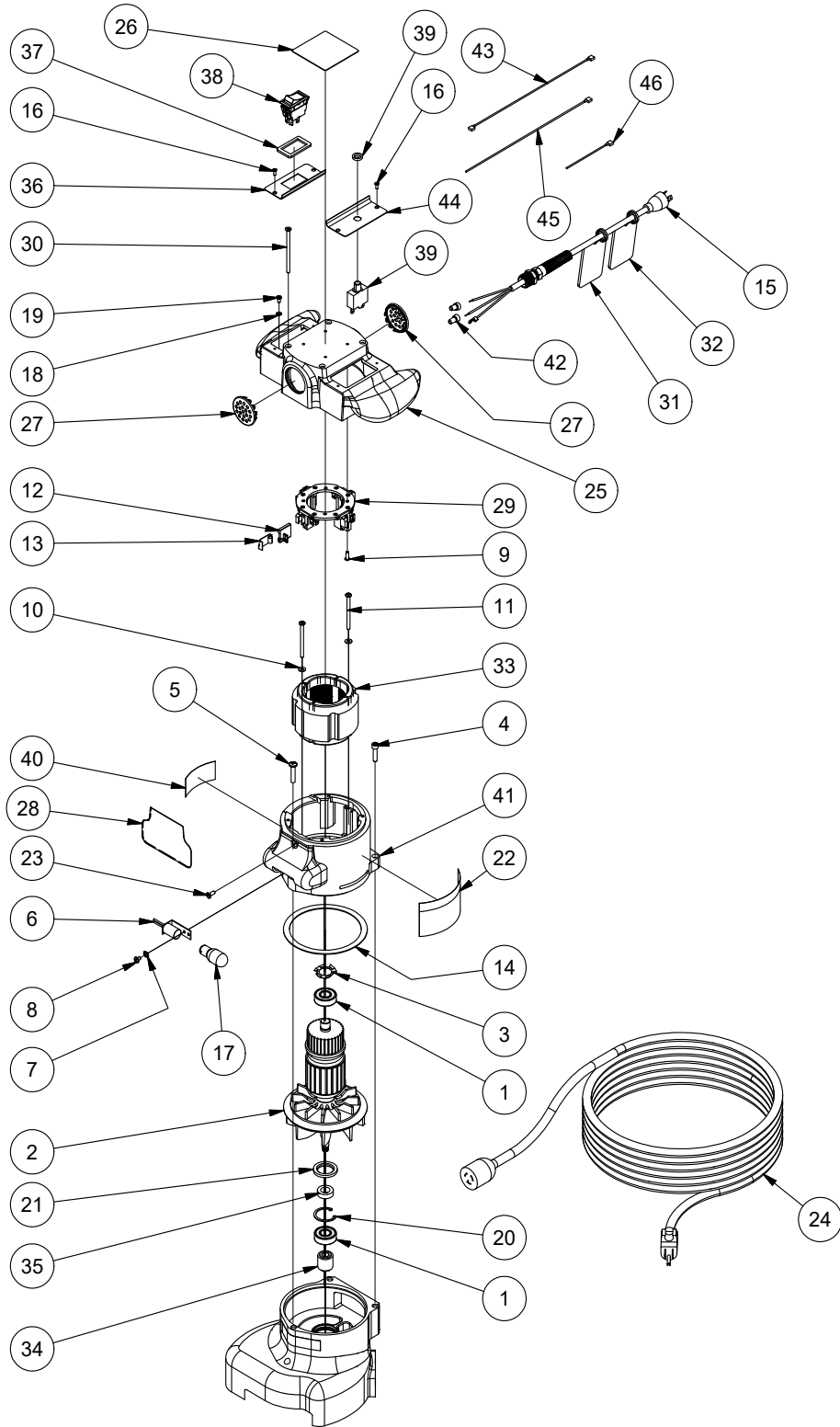
RF055600

022317

LOWER ASSEMBLY FOR
07208A, 07209A, 07208B, 07209B

Parts List				Parts List			
ITEM	QTY	PART NUMBER	DESCRIPTION	ITEM	QTY	PART NUMBER	DESCRIPTION
1	1	318303	SPRING, LOAD, 76	27	1	30563A	2" X 1.50" HOSE ADAPTOR
2	1	307702	SHAFT, DRIVE, GEAR	28	1	293616	GUARD, DISC, S7A/R (07208A & 07209A)
3	1	915028	KEY, 1/8 X 5/8, WDRF 5		1	AS017300	GUARD, DISC, PLASTIC (07208B & 07209B)
4	3	87609A	WASHER, SEAL, 10, NEOPRENE/STEEL		1	AS017300	GUARD, DISC, PLASTIC (07208B & 07209B)
5	1	317204	DISC, GUARD, RETAINER	29	1	61564A	TUBE, EXHAUST, S-7
6	1	21066A	DISC, SANDING, S-7R	30	1	21077A	ADAPTOR, EXHAUST, SUPER-7 (07208A & 07209A)
7	1	960125	CLAMP, ABRASIVE, S-7R		1	AS018900	EXHAUST, ADAPTOR, POWERDERCOAT (07208B & 07209B)
8	1	980603	WASHER, LK 10 EXT TOOTH		1	AS018900	EXHAUST, ADAPTOR, POWERDERCOAT (07208B & 07209B)
9	1	293406	GASKET, EXHAUST, BRKT 95		1	AS018900	EXHAUST, ADAPTOR, POWERDERCOAT (07208B & 07209B)
10	4	962289	SCREW, 1/4-20 X 3/4 SOCKET HD		1	AS018900	EXHAUST, ADAPTOR, POWERDERCOAT (07208B & 07209B)
11	1	302101	CLIP, STEEL	31	1	34232A	GASKET, GEAR CASE COVER
12	1	962987	SCREW, 10-24 X 3/8 PN ST TYP 23	32	1	80276A	NUT, SLIPJOINT, 2 X 2
13	1	987300	WRENCH, PAPER CLAMP SCREW	33	4	962109	SCREW, 10-24 X 5/8, PN, SS
14	2	310803	BRACKET, CASTER SUPPORT (07208A & 07209A)	34	2	30613A	SEAL, PIPE, S-7 & B-2 EDGERS
	2	AS019000	BRACKET, CASTER SUPPORT, POWDERCOAT (07208B & 07209B)	35	2	902550	BEARING, BALL, 6203
	2	AS019000	BRACKET, CASTER SUPPORT, POWDERCOAT (07208B & 07209B)	36	1	L067304	RING, RETAINING, R042
15	2	920670	NUT, LOCK, ADJUST	37	4	962974	SCREW, 6-32 X 1/2, FH, ST, PH
16	2	960130	SCREW, SWIVEL, CASTER	38	3	84808A	SCREW, 10-24 X 3/4, RD, SZ, PH
17	4	50740A	BEARING, BALL, 1/4 X 3/4, SHIELD	39	2	980088	WASHER, 94, BE7
18	2	298215	COLLAR, SPACING	40	2	70823A	LABEL, HDTR, 1.3 X 3 (07209A ONLY)
19	2	85702A	SCR 1/4-20 X 1 3/4 HX ST CAP	41	1	304204	HOUSING, GEAR (07208A & 07209A)
20	2	10212A	WHEEL & YOKE ASM.		1	AS017900	HOUSING, GEAR, HAMMERTONE (07208B & 07209B)
21	1	316804	PLUG, PIPE, 77E17		1	AS017900	HOUSING, GEAR, HAMMERTONE (07208B & 07209B)
22	1	56380216	DECAL, POWER TOOL CAUTIONARY		1	AS017900	HOUSING, GEAR, HAMMERTONE (07208B & 07209B)
23	1	56380639	DECAL, PROP 65	[]	1	31407A	CASE, EDGER, SUPER 7R
24	1	53544B	BAG, EDGER	*	1	30666A	WHEEL & YOKE URETHANE EDGERS
25	1	303502	GEAR, DRIVE	*	1	10827A	EXHAUST CONVERSION KIT S-7R
26	1	302306	COVER, GR HOUSING ASM.	*	1	38728A	DISC CONV HOOK 6-7/8 10ea/BX
				[]			NOT SHOWN
				*			OPTIONAL, NOT SHOWN

UPPER ASSEMBLY FOR
07208A, 07209A, 07208B, 07209B



RF055700

022317

UPPER ASSEMBLY FOR
07208A, 07209A, 07208B, 07209B

Parts List				Parts List			
ITEM	QTY	PART NUMBER	DESCRIPTION	ITEM	QTY	PART NUMBER	DESCRIPTION
1	2	902567	BEARING BALL DOUBLE SEALED	25	1	302312	COVER & HANDLE ASM. POLISHED(07208A & 07209A)
2	1	10101B	ARMATURE ASM WITH FAN S7A/R		1	AS017700	COVER, MOTOR, HAMMERTONE(07208B & 07209B)
3	1	298306	SPRING, LOAD, 56				
4	2	962454	SCREW, 1/4 - 20 X 1, SC ST CAP	26	1	AS014300	NAMEPLATE, AMERICAN SANDERS, 3"
5	1	962988	SCREW, 1/4-20 X 1-1/4, PN, ST, PH	27	2	306802	PLUG, VENT
6	1	AS009500	SOCKET, ASSY, LAMP, BAYONET (07208A & 07209A)	28	1	AS014900	NAMEPLATE, FRONT (07208B & 07209B)
7	1	980603	WASHER, LK 10 EXT (07208A & 07209A)	29	1	AS004200	HOLDER, BRUSH, SUPER 7R, ASM.
8	1	85393A	SCREW, 10-24 X 1/4, PN SZ PH (07208A & 07209A)	30	4	962404	SCREW, 10-24 X 3-1/4, FH, ST, PH
				31	1	70175A	TAG WARNING ENG-SPN
9	4	962727	SCREW, 8-32 X 1/2 PN ST TP23 PH	32	1	70175A-FR	TAG WARNING ENG-FRN
				33	1	AS004300	FIELD & COIL ASM 115V
10	2	980643	WASHER, 7/16 OD X .036 THK.	34	1	293514	PINION, ARMETURE
11	2	962211	SCREW, 10-24 X 2.5, RD P ST	35	1	308202	SPACER, BEARING
12	4	40818A	BRUSH, CARBON	36	1	AS005200	COVER, MOTOR, BRUSH, SWITCH (07208A & 07209A)
13	4	50932A	SPRING BRUSH HOLDER				
14	1	293403	GASKET, EXHAUST FAN, BAFFLE		1	AS020400	COVER, MOTOR, BRUSH, SWITCH, S7V (07208B & 07209B)
15	1	MP488900	CORD, ADAPTER, SUPER 7, ETL(07208A & 07209A)	37	1	AS005300	SPACER, SWITCH
	1	AS020600	CORD, SANDER, 110V, ETL, 30'(07208B & 07209B)	38	1	MP488800	SWITCH, ROCKER, DPST, 20A
				39	1	MP488700	BREAKER, CIRCUIT, THERMAL, 250V, 15A
16	4	962545	SCREW, 6-32 X 3/8, FLAT HD	40	1	MP476500	DECAL, FUSE, TIME DELAY
17	1	40920A	LAMP, 130V DC, BAYONET(07208A & 07209A)	41	1	AS005100	HOUSING AND GUARD ASM., ETL, CAST (07208A & 07209A)
18	1	980621	WASHER, LOCK, EXTERNAL TOOTH		1	AS017600	HOUSING, MOTOR, HAMMERTONE (07208B & 07209B)
19	1	962550	SCREW, 8-32 X 5/16				
20	1	407302	RING, RETAINING				
21	1	297604	OIL SEAL 92	42	2	911139	CONNECTOR, 35653 TB32A/24/18
22	1	73285A	LABEL, WARNING	43	1	AS006500	WIRE, JUMPER, BLACK, 11", FLAG/FLAG
23	1	962310	SCREW, 10-24 X 1/2				
24	1	40540A	CORDSET, 12-3 X 40FT 5-15P (07209A ONLY)	44	1	AS005400	COVER, MOTOR, BRUSH, BREAKER(07208A & 07209A)
	1	42234A	CORD SET SUPER 7E (07208A ONLY)		1	AS020300	COVER, MOTOR, BRUSH, BREAKER, S7V (07208B & 07209B)
				45	1	AS006400	WIRE, JUMPER, BLACK, 11", FLAG/BARE
				46	1	AS006600	WIRE, WHITE, 4"

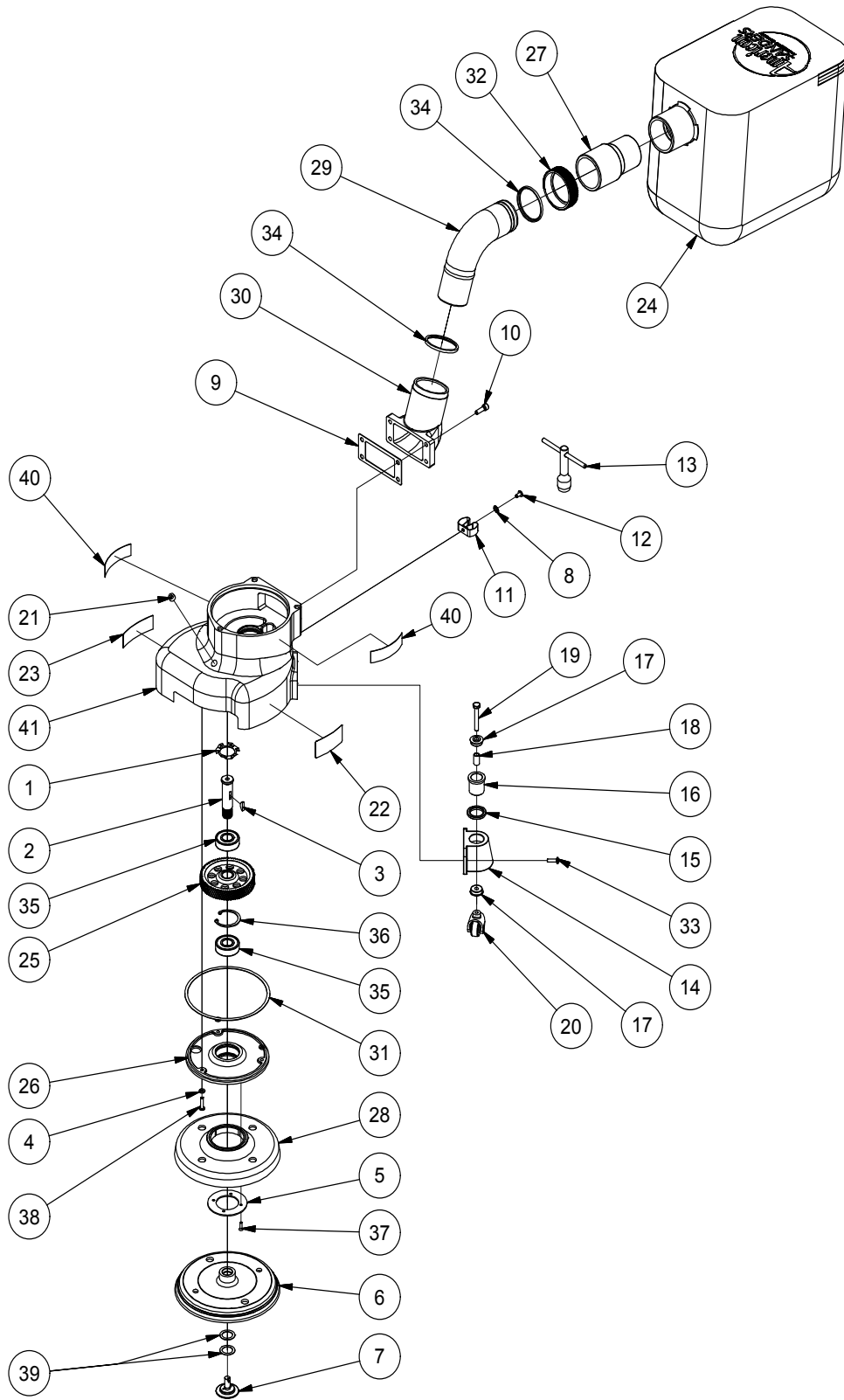
* AS010200 LAMP, 120V, LED, DC, BAYONET

RF055700

* (optional accessory)

022317

LOWER ASSEMBLY FOR
07125A, 07013A & 07013B



RF069600

051517

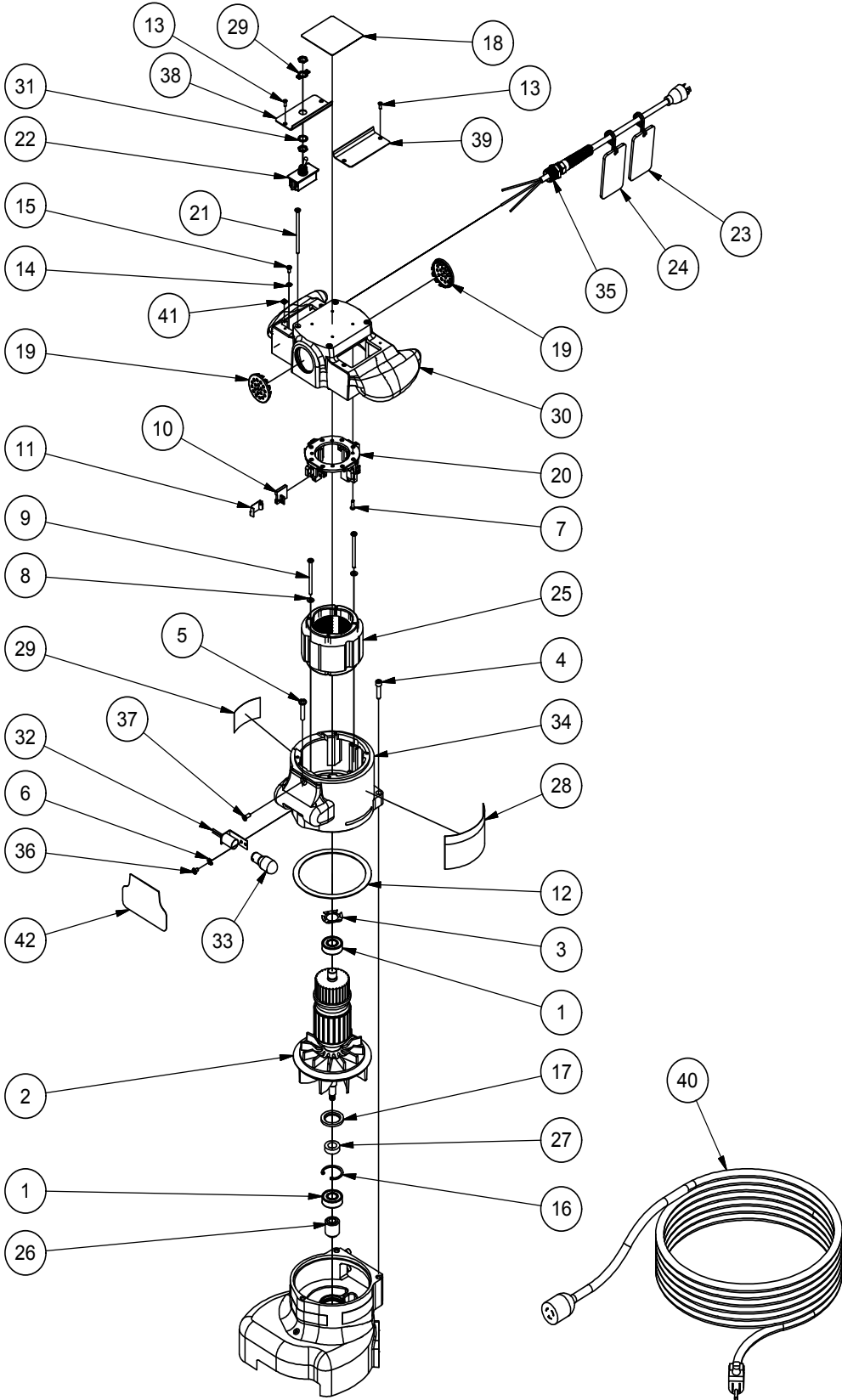
LOWER ASSEMBLY FOR
07125A, 07013A & 07013B

Parts List				Parts List			
ITEM	QTY	PART NUMBER	DESCRIPTION	ITEM	QTY	PART NUMBER	DESCRIPTION
1	1	318303	SPRING, LOAD, 76	28	1	293616	GUARD, DISC, S7A/R (07125A & 07013A)
2	1	307702	SHAFT, DRIVE, GEAR				
3	1	915028	KEY, 1/8 X 5/8, WDRF 5				
4	3	87609A	WASHER, SEAL, 10, NEOPRENE/STEEL	30	1	21077A	ADAPTOR, EXHAUST, SUPER-7 (07125A & 07013A)
5	1	317204	DISC, GUARD, RETAINER	31	1	AS018900	EXHAUST, ADAPTOR, POWERDERCOAT (07013B)
6	1	21066A	DISC, SANDING, S-7R				
7	1	960125	CLAMP, ABRASIVE, S-7R				
8	2	980603	WASHER, LK 10 EXT TOOTH	32	1	80276A	NUT, SLIPJOINT, 2 X 2
9	1	293406	GASKET, EXHAUST, BRKT 95	33	4	962109	SCREW, 10-24 X 5/8, PN, SS
10	4	962289	SCREW, 1/4-20 X 3/4 SOCKET HD	34	2	30613A	SEAL, PIPE, S-7 & B-2 EDGERS
11	1	302101	CLIP, STEEL	35	2	902550	BEARING, BALL, 6203
12	1	962987	SCREW, 10-24 X 3/8 PN ST TYP 23	36	1	L067304	RING, RETAINING, R042
13	1	987300	WRENCH, PAPER CLAMP SCREW	37	4	962974	SCREW, 6-32 X 1/2, FH, ST, PH
14	2	310803	BRACKET, CASTER SUPPORT (07125A & 07013A)	38	3	84808A	SCREW, 10-24 X 3/4, RD, SZ, PH
				39	2	980088	WASHER, 94, BE7
	1	AS019000	BRACKET, CASTER SUPPORT, POWDERCOAT (07013B)	40	2	70823A	LABEL, HDTR, 1.3 X 3 (07013A & 07013B)
15	2	920670	NUT, LOCK, ADJUST	41	1	304204	HOUSING, GEAR (07125A & 07013A)
16	2	960130	SCREW, SWIVEL, CASTER		1	AS017900	HOUSING, GEAR, HAMMERTONE (07013B)
17	4	50740A	BEARING, BALL, 1/4 X 3/4, SHIELD				
18	2	298215	COLLAR, SPACING				
19	2	85702A	SCR 1/4-20 X 1 3/4 HX ST CAP	[]	1	31407A	CASE, EDGER, SUPER 7R
20	2	10212A	WHEEL & YOKE ASM.	*	1	30666A	WHEEL & YOKE URETHANE EDGERS
21	1	316804	PLUG, PIPE, 77E17				
22	1	56380216	DECAL, POWER TOOL CAUTIONARY				
23	1	56380639	DECAL, PROP 65	*	1	38728A	DISC CONV HOOK 6-7/8 10ea/BX
24	1	53544B	BAG, EDGER				
25	1	303502	GEAR, DRIVE	[]			NOT SHOWN
26	1	302306	COVER, GR HOUSING ASM.	*			OPTIONAL, NOT SHOWN
27	1	30563A	2" X 1.50" HOSE ADAPTOR				

RF069600

051517

UPPER ASSEMBLY FOR
07125A, 07013A & 07013B



UPPER ASSEMBLY FOR
07125A, 07013A & 07013B

Parts List				Parts List			
ITEM	QTY	PART NUMBER	DESCRIPTION	ITEM	QTY	PART NUMBER	DESCRIPTION
1	2	902567	BEARING BALL DOUBLE SEALED	30	1	302312	COVER & HANDLE ASM. POLISHED
2	1	10101B	ARMATURE ASM WITH FAN S7A/R	31	1	980662	WASHER-SH 1224-00 LOCK
3	1	298306	SPRING, LOAD, 56	32	1	46902A	SOCKET ASSEMBLY (07013A & 07125A)
4	2	962454	SCREW, 1/4 - 20 X 1, SC ST CAP				
5	1	962988	SCREW, 1/4-20 X 1-1/4, PN, ST, PH	33	1	40920A	LAMP, 130V DC, BAYONET (07013A & 07125A)
6	2	980603	WASHER, LK 10 EXT (07013A & 07125A)	34	1	AS005100	HOUSING AND GUARD ASM., ETL (07013A & 07125A)
7	4	962727	SCREW, 8-32 X 1/2 PN ST TP23 PH				
8	2	980643	WASHER, 7/16 OD X .036 THK.		1	AS017600	HOUSING, MOTOR, HAMMERTONE (07013B)
9	2	962211	SCREW, 10-24 X 2.5, RD P ST				
10	4	40818A	BRUSH, CARBON	35	1	41960A	CORD INTERCONNECTING SUPER 7 (07013A & 07125A)
11	4	50932A	SPRING BRUSH HOLDER				
12	1	293403	GASKET, EXHAUST FAN, BAFFLE		1	AS017800	CORD, SANDER, 110V, 30' (07013B)
13	4	962545	SCREW, 6-32 X 3/8, FLAT HD	36	1	85393A	SCREW, 10-24 X 1/4, PN SZ PH (07013A & 07125A)
14	1	980621	WASHER, LOCK, EXTERNAL TOOTH	37	1	962310	SCREW, 10-24 X 1/2 (07013A & 07125A)
15	1	962550	SCREW, 8-32 X 5/16				
16	1	407302	RING, RETAINING	38	1	302310	COVER MOTOR BRUSH R H (07013A & 07125A)
17	1	297604	OIL SEAL 92				
18	1	AS014300	NAMEPLATE, AMERICAN SANDERS, 3"		1	AS020100	COVER, BRUSH, RIGHT, S7V (07013B)
19	2	306802	PLUG, VENT	39	1	302309	COVER MOTOR BRUSH L H (07013A & 07125A)
20	1	40130A	HOLDER ASM. BRUSH				
21	4	962404	SCREW, 10-24 X 3-1/4, FH, ST, PH		1	AS020000	COVER, BRUSH, LEFT, S7V (07013B)
22	1	47394A	SWITCH DPST 16A/125V SUPER				
23	1	70175A	TAG WARNING ENG-SPN	40	1	40540A	CORDSET, 12-3 X 40FT 5-15P (07013A)
24	1	70175A-FR	TAG WARNING ENG-FRN				
25	1	42820A	FIELD & COIL ASM 115V		1	42234A	CORD SET SUPER 7E (07125A)
26	1	293514	PINION, ARMATURE	41	1	77094A	LABEL, GROUND SYMBOL
27	1	308202	SPACER, BEARING	42	1	AS014900	NAMEPLATE, FRONT (07013B)
28	1	73285A	LABEL, WARNING	*		AS010200	LAMP, 120V, LED, DC, BAYONET
29	1	646302	PLATE-SWITCH				

* (optional accessory)

Limited Warranty

Super 7R

TO QUALIFY FOR THIS WARRANTY

- (1) Machine must be registered within 30 days from the time of purchase on a form provided by American Sanders. Your American Sanders Distributor is responsible for the registration of your machine. Please cooperate with your Distributor in supplying necessary information on the card.
- (2) The machine must have been purchased from American Sanders or an authorized American Sanders Distributor.
- (3) This warranty extends to the original purchaser only and is not transferable to subsequent owners.

TIME PERIODS

ONE (1) YEAR WARRANTY - For the Super 7R.

Warranted to be free from defects in material and workmanship for a period of one (1) year from the date of purchase by the original owners. (See Exclusions)

EXCLUSIONS (Not Covered by Warranty)

- (1) Expendable wear items and parts that fail through normal wear by reason of their characteristics (cords, pads, sanding discs, carbon motor brushes, wheels, bulbs, filters, bags, or other consumable parts).
- (2) This warranty does not extend to parts affected by misuse, neglect, abuse, accidents, damage in transit, overloading the capacity of the machine, failure due to lack of proper maintenance or care as described in the operating and maintenance instructions. All defective parts must be returned to the distributor for credit.
- (3) Minor adjustments, such as tightening of screws or bolts not connected with the replacement of parts, are not covered.
- (4) Repairs or alterations by an organization other than the factory or an Authorized Service Center are not covered and will void any American Sanders warranty as to the parts or systems repaired or altered by a non-authorized organization.

THE OBLIGATION OF AMERICAN SANDERS

- (1) The obligation of American Sanders under this warranty is limited to repairing or replacing, at its option, any part which is proven to be defective in material or workmanship under normal use for the applicable period stated above.
- (2) Warranty repairs will be made by your American Sanders Distributor without charge for parts and labor. They will be compensated with a warranty labor rate of \$45.00 per hour, for the first year of ownership.
- (3) Parts repaired or replaced under this warranty are warranted only during the balance of the original warranty period. All defective parts replaced under these warranties become the property of American Sanders.

WARRANTY SERVICE

To obtain warranty service, take your machine and proof of purchase to any authorized American Sander Distributor. American Sanders will not reimburse expenses for service calls or travel. For the Distributor in your area, call American Sanders Customer Service Department at 800-367-3550 or 336-372-8080. If you are dissatisfied with the service that you receive, call or write American Sanders Customer Service Department for further assistance.

INSTRUCTIONS AND CONDITIONS FOR WARRANTY REIMBURSEMENT

- Order replacement part: Orders will be processed and charged, as normal procedure.
- Call American Sanders for R/A number.
- You will need the Machine Serial Number and the Machine Model Number.
- Parts must be returned, accompanied with the R/A number to be eligible for warranty credit.
- All Warranty Parts will be shipped prepaid UPS Ground, any other method will be at the recipients expense.
- Freight on any Warranty Part after 30 days must be paid for by the Purchaser.
- Warranty labor rate is \$45.00 USD per hour.
- Credit will be issued upon completion of the above steps, at the above rates.

Transportation of hazardous waste or contaminated equipment is subject to various laws and regulations. In returning machines, parts, or accessories under this limited warranty, the end user must certify in writing that the machines, parts, or accessories being returned have not been used for handling, clean up, or disposal of hazardous waste or hazardous materials including but not limited to such things as asbestos, anthrax etc. or if the machines, parts, or accessories being returned have been used for handling, clean up, or disposal of hazardous waste or hazardous materials, then the end user must have the machines, parts or accessories decontaminated by licensed and qualified decontamination professionals and provide written certification of this decontamination signed by the decontamination professionals. These machines, parts or accessories are to be returned only to the local American Sanders Service Center for warranty service along with decontamination certification.

DISCLAIMER OF CONSEQUENTIAL

THERE ARE NO WARRANTIES THAT EXTEND BEYOND THE DESCRIPTION OF THE LIMITED WARRANTIES STATED WITHIN. NO OTHER WARRANTY, EXPRESSED OR IMPLIED, INCLUDING BUT NOT LIMITED TO ANY IMPLIED WARRANTY OF MERCHANTABILITY OR FITNESS FOR A PARTICULAR PURPOSE, IS MADE EXCEPT AS EXPRESSLY STATED HEREIN. ANY STATUTORY IMPLIED WARRANTIES, INCLUDING ANY WARRANTY OF MERCHANTABILITY OR FITNESS FOR A PARTICULAR PURPOSE, THAT ARE IMPOSED BY LAW DESPITE THE EXPRESS LIMITATION OR WARRANTIES ABOVE, ARE EXPRESSLY LIMITED TO THE DURATION OF THE WRITTEN WARRANTY. BUYER UNDERSTANDS, ACKNOWLEDGES AND AGREES THAT THE REMEDIES PROVIDED UNDER THIS LIMITED WARRANTY ARE THE SOLE AND EXCLUSIVE REMEDIES AVAILABLE TO THE BUYER. AMERICAN SANDERS DISCLAIMS ANY RESPONSIBILITY FOR LOSS OF USER TIME OF THE AMERICAN SANDERS MACHINE OR ANY OTHER INCIDENTAL OR CONSEQUENTIAL DAMAGES. THIS INCLUDES, BUT NOT LIMITED TO INDIRECT, SPECIAL OR CONSEQUENTIAL DAMAGES ARISING OUT OF OR IN CONNECTION WITH THE FURNISHING, PERFORMANCE, USE OF OR INABILITY TO USE THE MACHINE. ANY EXTENSIONS OF OR MODIFICATIONS MADE TO THIS WARRANTY BY A DEALER/DISTRIBUTOR OF AMERICAN SANDERS ARE THE SOLE RESPONSIBILITY OF THE DEALER/DISTRIBUTOR.

American Sanders reserves the right to change its warranty policy without notice.

Copyright 2017 American Sanders

Garantía limitada

Super 7R

PARA CALIFICAR PARA ESTA GARANTÍA

- (1) El equipo debe registrarse dentro de los 30 días a partir de la fecha de compra en un formulario proporcionado por American Sanders. Su distribuidor American Sanders es responsable del registro de su equipo. Coopere con su distribuidor brindando la información necesaria en la tarjeta.
- (2) El equipo debe haberse comprado en American Sanders o con un distribuidor autorizado de American Sanders.
- (3) Esta garantía se extiende al comprador original solamente y no se puede transferir a otros propietarios.

PERÍODOS DE TIEMPO

GARANTÍA DE UN (1) AÑO: Para la Super 7R.

Garantizado por estar libres de defectos en material y mano de obra por un período de un (1) año a partir de la fecha de compra por parte de los propietarios originales. (Consulte Exclusiones)

EXCLUSIONES (No cubiertas por la garantía)

- (1) Artículos desgastables y piezas que fallan debido al desgaste normal por sus características (cordones, almohadillas, discos de lijado, cepillos de motor de carbón, ruedas, bombillas, filtros, bolsos u otras piezas consumibles).
- (2) Esta garantía no se extiende a partes afectadas por mal uso, negligencia, abuso, accidentes, daños en tránsito, sobrecarga de la capacidad de la máquina, fallas debido a la falta de mantenimiento o cuidado apropiados como se describe en las instrucciones de operación y mantenimiento. Todas las partes defectuosas se deben devolver al distribuidor para recibir un crédito.
- (3) Los ajustes menores, como el ajuste de tornillos o pernos no conectados con el reemplazo de piezas, no están cubiertos.
- (4) Las reparaciones o modificaciones realizadas por una organización que no sea la fábrica o un Centro de Servicio Autorizado no están cubiertas y anularán cualquier garantía de American Sanders en cuanto a las piezas o sistemas reparados o modificados por una organización no autorizada.

LA OBLIGACIÓN DE AMERICAN SANDERS

- (1) La obligación de American Sanders bajo esta garantía se limita a la reparación o reemplazo, a su elección, de cualquier parte que se compruebe tiene defectos de material o mano de obra durante el uso normal por el período aplicable antes mencionado.
- (2) El distribuidor de American Sanders realizará las reparaciones de garantía sin cargo por piezas y mano de obra. Ellos recibirán una compensación con una tarifa de mano de obra de garantía de \$45.00 por hora, por el primer año de propiedad.
- (3) Las partes reparadas o reemplazadas bajo esta garantía están cubiertas por la garantía solo durante el resto del período de la garantía original. Todas las partes defectuosas reemplazadas bajo estas garantías se convierten en propiedad de American Sanders.

SERVICIOS DE GARANTÍA

Para obtener servicio de garantía, lleve su equipo y prueba de compra a cualquier distribuidor autorizado de American Sanders. American Sanders no reembolsará los gastos por las llamadas o viajes para el servicio. Para el Distribuidor en su área, llame al Departamento de Servicio al Cliente de American Sanders al 800-367-3550 o al 336-372-8080. Si no está satisfecho con el servicio que recibe, llame o escriba al Departamento de Servicio al Cliente de American Sanders para recibir más ayuda.

INSTRUCCIONES Y CONDICIONES PARA EL REEMBOLSO DE GARANTÍA

- Pida la pieza de reemplazo: Los pedidos se procesarán y cobrarán, como un procedimiento normal.
- Llame a American Sanders para obtener el número de R/A.
- Necesitará el número de serie del equipo y el número de modelo del equipo.
- Las piezas se deben devolver, acompañadas con el número de R/A para ser elegible para el crédito por la garantía.
- Todas las piezas de garantía se deberán enviar prepagadas por servicio terrestre de UPS, cualquier otro método será a costa del beneficiario.
- El Comprador debe pagar el flete para cualquier pieza de la garantía después de 30 días.
- La tarifa de mano de obra de la garantía es de \$45.00 por hora.
- El crédito se emitirá al completar los pasos anteriores, en las tarifas anteriores.

El transporte de desechos peligrosos o equipos contaminados está sujeto a varias leyes y regulaciones. Al devolver equipo, piezas o accesorios según esta garantía limitada, el usuario final debe certificar por escrito que el equipo, piezas o accesorios que se devuelven no se han utilizado para la manipulación, limpieza o eliminación de residuos peligrosos o materiales peligrosos, incluyendo pero no limitado a cosas tales como asbestos, ántrax, etc. o si el equipo, piezas o accesorios que se devuelven han sido utilizados para la manipulación, limpieza o eliminación de residuos peligrosos o materiales peligrosos, entonces el usuario final debe solicitar a profesionales de descontaminación autorizados y calificados que descontaminen el equipo, piezas o accesorios y que proporcionar una certificación por escrito de esta descontaminación firmada por los profesionales de la descontaminación. Estos equipos, piezas o accesorios deben devolverse solo al Centro de Servicio American Sanders de la localidad para obtener el servicio de garantía junto con la certificación de descontaminación.

DESCARGO DE RESPONSABILIDAD DE DAÑOS Y PERJUICIOS

NO HAY GARANTÍAS QUE SE EXTIENDAN MÁS ALLÁ DE LA DESCRIPCIÓN DE LAS GARANTÍAS LIMITADAS INDICADAS. NINGUNA OTRA GARANTÍA, EXPRESA O IMPLÍCITA, INCLUYENDO PERO NO LIMITADO A CUALQUIER GARANTÍA IMPLÍCITA DE COMERCIALIZACIÓN O IDONEIDAD PARA UN PROPÓSITO EN PARTICULAR, SE HACE EXCEPTO COMO SE INDICA EXPRESAMENTE AQUÍ. CUALQUIER GARANTÍA LEGAL IMPLÍCITA, INCLUIDA CUALQUIER GARANTÍA DE COMERCIABILIDAD O IDONEIDAD PARA UN PROPÓSITO EN PARTICULAR, QUE SEA IMPUESTA POR LA LEY A PESAR DE LA LIMITACIÓN EXPRESA O LAS GARANTÍAS ANTERIORES, ESTÁ EXPRESAMENTE LIMITADA A LA DURACIÓN DE LA GARANTÍA ESCRITA. EL COMPRADOR ENTIENDE, RECONOCE Y ACEPTA QUE LOS RECURSOS PROVISTOS BAJO ESTA GARANTÍA LIMITADA SON LOS ÚNICOS Y EXCLUSIVOS RECURSOS DISPONIBLES PARA EL COMPRADOR. AMERICAN SANDERS SE LIBERA DE TODA RESPONSABILIDAD POR LA PÉRDIDA DE TIEMPO DEL USUARIO DEL EQUIPO AMERICAN SANDERS O CUALQUIER OTRO DAÑO INCIDENTAL O CONSECUENCIAL. ESTO INCLUYE, PERO NO ESTÁ LIMITADO A DAÑOS INDIRECTOS, ESPECIALES O CONSECUENCIALES DERIVADOS DE O RELACIONADOS CON EL SUMINISTRO, EL FUNCIONAMIENTO, EL USO O LA INCAPACIDAD DE USAR EL EQUIPO. CUALQUIER EXTENSIÓN O MODIFICACIÓN HECHA A ESTA GARANTÍA POR UN CONCESIONARIO/DISTRIBUIDOR DE AMERICAN SANDERS SON RESPONSABILIDAD EXCLUSIVA DEL CONCESIONARIO/DISTRIBUIDOR.

American Sanders se reserva el derecho de cambiar su política de garantía sin previo aviso.

Copyright 2017 American Sanders

Garantie limitée

Super 7R

POUR ÊTRE ADMISSIBLE À LA PRÉSENTE GARANTIE

- (1) L'appareil doit être inscrit dans les 30 jours suivant la date d'achat à l'aide de la fiche fournie par American Sanders. L'enregistrement de votre appareil s'effectue auprès de votre distributeur American Sanders. Veuillez lui fournir tous les renseignements exigés sur la fiche.
- (2) L'appareil doit avoir été acheté auprès d'American Sanders ou d'un distributeur American Sanders autorisé.
- (3) La présente garantie n'est offerte qu'à l'acheteur initial et n'est pas transférable aux propriétaires subséquents.

PÉRIODES

GARANTIE D'UN (1) AN — Pour le modèle Super 7R.

Garanti contre tout défaut de matériaux et de main-d'œuvre pour une période d'un (1) an à compter de la date d'achat par le propriétaire initial. (Se reporter aux exclusions.)

EXCLUSIONS (Non couvert par la garantie)

- (1) Les produits et pièces consommables qui font défaut par suite d'une usure normale en raison de leurs caractéristiques (cordons, patins, disques de ponçage, balais de moteur en carbone, roulettes, ampoules, filtres, sacs ou autres pièces consommables).
- (2) Cette garantie ne couvre pas les pièces brisées par suite d'abus, de mésusage, de négligence, d'accidents, de bris lors du transport, d'une surcharge de la capacité de l'appareil, d'une défaillance due au manque d'entretien ou de soins adéquats tels qu'ils sont décrits dans les instructions d'utilisation et d'entretien. Vous devez retourner les pièces défectueuses au distributeur pour vous les faire créditer.
- (3) Les ajustements mineurs, tels que le serrage de vis ou de boulons sans lien avec le remplacement de pièces, ne sont pas couverts.
- (4) Les réparations ou modifications réalisées par toute organisation autre que l'usine ou un centre de service autorisé ne sont pas couvertes et annuleront la garantie American Sanders en ce qui concerne les pièces ou systèmes réparés ou modifiés par une organisation non autorisée.

LES OBLIGATIONS D'AMERICAN SANDERS

- (1) Les obligations d'American Sanders en vertu de cette garantie se limitent à la réparation ou au remplacement, à sa discrétion, de toute pièce présentant un défaut avéré de matériaux ou de main-d'œuvre dans le cadre d'une utilisation normale pour la période applicable énoncée plus haut.
- (2) Les réparations sous garantie seront effectuées par votre distributeur American Sanders sans frais pour les pièces et la main-d'œuvre. Ce dernier sera rémunéré au taux de main-d'œuvre de 45,00 \$/h pour la première année de possession.
- (3) Les pièces réparées ou remplacées en vertu de cette garantie sont garanties seulement durant la période restante de la période de garantie originale. Toutes les pièces défectueuses remplacées en vertu de ces garanties deviennent la propriété d'American Sanders.

SERVICE SOUS GARANTIE

Pour obtenir du service sous garantie, apportez votre appareil et une preuve d'achat chez un distributeur American Sanders autorisé. American Sanders ne remboursera pas de frais engagés en lien avec des appels de service ou des déplacements. Pour connaître le distributeur de votre région, communiquez avec le service à la clientèle d'American Sanders au 800 367-3550 ou au 336 372-8080. Si vous n'êtes pas satisfait du service reçu, communiquez avec le service à la clientèle d'American Sanders pour obtenir de l'aide.

INSTRUCTIONS ET CONDITIONS POUR L'OBTENTION D'UN REMBOURSEMENT SOUS GARANTIE

- Commande de pièce de rechange : Les commandes sont traitées et facturées comme toute procédure normale.
- Communiquez avec American Sanders pour obtenir un numéro d'autorisation de renvoi.
- Il vous faudra le numéro de série et le numéro de modèle de l'appareil.
- Vous devez joindre le numéro d'autorisation de renvoi aux pièces renvoyées pour être admissible au crédit en vertu de la garantie.
- Toutes les pièces sous garantie sont expédiées UPS Ground prépayé; tout autre moyen d'expédition est au frais du destinataire.
- Le transport de toute pièce sous garantie après 30 jours doit être payé par l'acheteur.
- Le taux de main-d'œuvre sous garantie est de 45,00 \$US/h.
- Le crédit est émis une fois toutes les étapes précédentes terminées, aux tarifs précités.

Le transport de déchets dangereux ou d'équipements contaminés est assujéti à différentes lois et réglementations. Au moment de retourner des appareils, des pièces ou des accessoires en vertu de cette garantie limitée, l'utilisateur final doit attester par écrit que les appareils, pièces ou accessoires retournés n'ont pas été utilisés pour la manipulation, le nettoyage ou l'élimination de déchets dangereux ou de matières dangereuses, y compris, mais sans s'y limiter, amiante, anthrax, etc. ou, si les appareils, pièces ou accessoires retournés ont été utilisés pour la manipulation, le nettoyage ou l'élimination de déchets dangereux ou de matières dangereuses, alors l'utilisateur final doit faire décontaminer les appareils, pièces ou accessoires par un professionnel de la décontamination qualifié et agréé et fournir une attestation écrite de cette décontamination signée par le professionnel de la décontamination. Ces appareils, pièces ou accessoires ne doivent être retournés qu'au centre de service American Sanders local pour un service sous garantie et être accompagnés de l'attestation de décontamination.

CLAUSE DE NON-RESPONSABILITÉ

AUCUNE GARANTIE N'EST CONSENTIE AU-DELÀ DE LA DESCRIPTION DES PRÉSENTES GARANTIES LIMITÉES. AUCUNE AUTRE GARANTIE, EXPRESSE OU IMPLICITE, Y COMPRIS, MAIS SANS S'Y LIMITER, TOUTE GARANTIE IMPLICITE DE QUALITÉ MARCHANDE OU D'ADAPTATION À UN EMPLOI PARTICULIER, N'EST FAITE HORMIS CELLES INDIQUÉES AUX PRÉSENTES. TOUTE GARANTIE LÉGALE IMPLICITE, Y COMPRIS TOUTE GARANTIE DE QUALITÉ MARCHANDE OU D'ADAPTATION À UN EMPLOI PARTICULIER, QUI EST IMPOSÉE PAR LA LOI MALGRÉ LES LIMITES OU GARANTIES EXPRESSES PRÉCÉDENTES, EST EXPRESSÉMENT LIMITÉE À LA DURÉE DE LA GARANTIE ÉCRITE. L'ACHETEUR COMPREND, RECONNAÎT ET CONVIENT QUE LE RECOURS PRÉVU EN VERTU DE CETTE GARANTIE LIMITÉE CONSTITUE LE SEUL ET UNIQUE RECOURS À SA DISPOSITION. AMERICAN SANDERS SE DÉGAGE DE TOUTE RESPONSABILITÉ À L'ÉGARD DU TEMPS D'UTILISATION DE L'APPAREIL AMERICAN SANDERS PERDU ET DE TOUT AUTRE DOMMAGE ACCESSOIRE OU CONSÉCUTIF. CELA COMPREND, MAIS SANS S'Y LIMITER, LES DOMMAGES INDIRECTS, PARTICULIERS OU CONSÉCUTIFS DÉCOULANT DIRECTEMENT OU INDIRECTEMENT DE LA PRESTATION, DE LA PERFORMANCE, DE L'UTILISATION DE L'APPAREIL OU DE L'IMPOSSIBILITÉ DE L'UTILISER. TOUTE PROLONGATION OU MODIFICATION DE CETTE GARANTIE EFFECTUÉE PAR UN CONCESSIONNAIRE OU UN DISTRIBUTEUR D'AMERICAN SANDERS RELÈVE ENTIÈREMENT DU CONCESSIONNAIRE OU DU DISTRIBUTEUR.

American Sanders se réserve le droit de changer sa politique de garantie sans préavis.

Copyright 2017 American Sanders



American Sanders
an AMANO Company

1 Eclipse Rd • PO Box 909
Sparta, North Carolina 28675 • USA
www.pioneereclipse.com
www.americansanders.com

+1-336-372-8080
1-800-367-3550
Fax 1-336-372-2913