



Item #

Model # G4802B-US

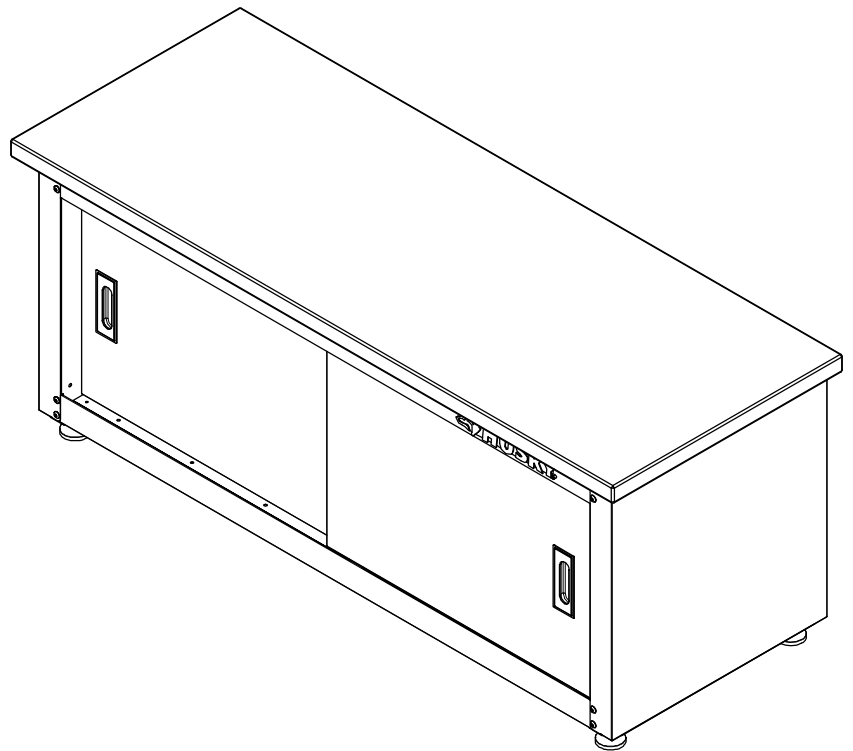
USE AND CARE GUIDE

48 IN. STORAGE BENCH

Questions, problems, missing parts?
Before returning to the store, call
Husky Customer Service
8 a.m. - 5 p.m., EST, Monday - Friday

1-888-HD-HUSKY

WWW.HUSKYTOOLS.COM



Due to continuing improvements,
the actual product may differ slightly
from the product described herein.

THANK YOU

We appreciate the trust and confidence you have placed in Husky through the purchase of this storage bench. We strive to continually create quality products designed to enhance your home. Visit us online to see our full line of products available for your home improvement needs. Thank you for choosing Husky!

Table of Contents

Table of Contents	2	Assembly	5
Safety Information	2	Maintenance	9
Warranty	2	Care and Cleaning	9
Specifications	2	Service Parts	9
Pre-Installation	3		


Safety Information


To reduce the risk of serious injury, read and follow the safety instructions below before assembling and using this product.

- This product is intended for indoor use only.
- This product is not designed for commercial nor industrial usage.

 **CAUTION:** Any assembly or maintenance of the product must be carried out by adults only.

 **CAUTION:** Arrange for necessary manpower when assembling, installing and moving the product.

 **CAUTION:** DO NOT alter this product in any manner. For example, do not weld external bar locks or attach electrical equipment. This may cause product damage or personal injury.

 **WARNING:** Keep the product on level surfaces. The product could become unstable and it may tip over if stored or moved on an uneven surface, which may cause personal injury, death or product damage.

 **WARNING:** DO NOT stand on this product. You may fall which may cause personal injury or death.

 **CAUTION:** Check all nuts and bolts periodically for tightness. When required, tighten them.

 **CAUTION:** DO NOT leave children unattended near this product. Children may clamp hands if they improperly open/close the doors.

Warranty

1 Year Limited Warranty for Solid Wood Top.

This warranty excludes incidental/inconsequential damages and failures due to misuse, abuse or normal wear and tear.

This full warranty gives you specific rights, and you may also have other rights, which vary state to state.

Contact the customer service team at 1-888-HD-HUSKY or visit www.huskytools.com.

Specifications

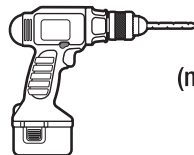
Maximum load for wood top	400
Maximum load for shelf	50
Maximum load for bottom panel	150
Maximum total load	600

Pre-Installation

TOOLS REQUIRED



Hex Wrench
(Hex Key)



Drill
(not included)



Gloves
(not included)

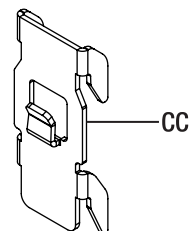
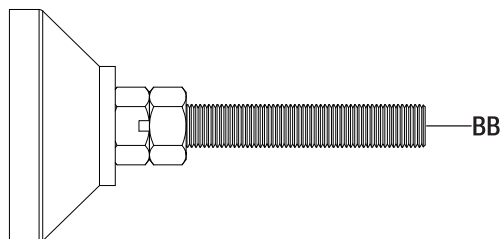


Hex Screwdriver Bit

HARDWARE INCLUDED



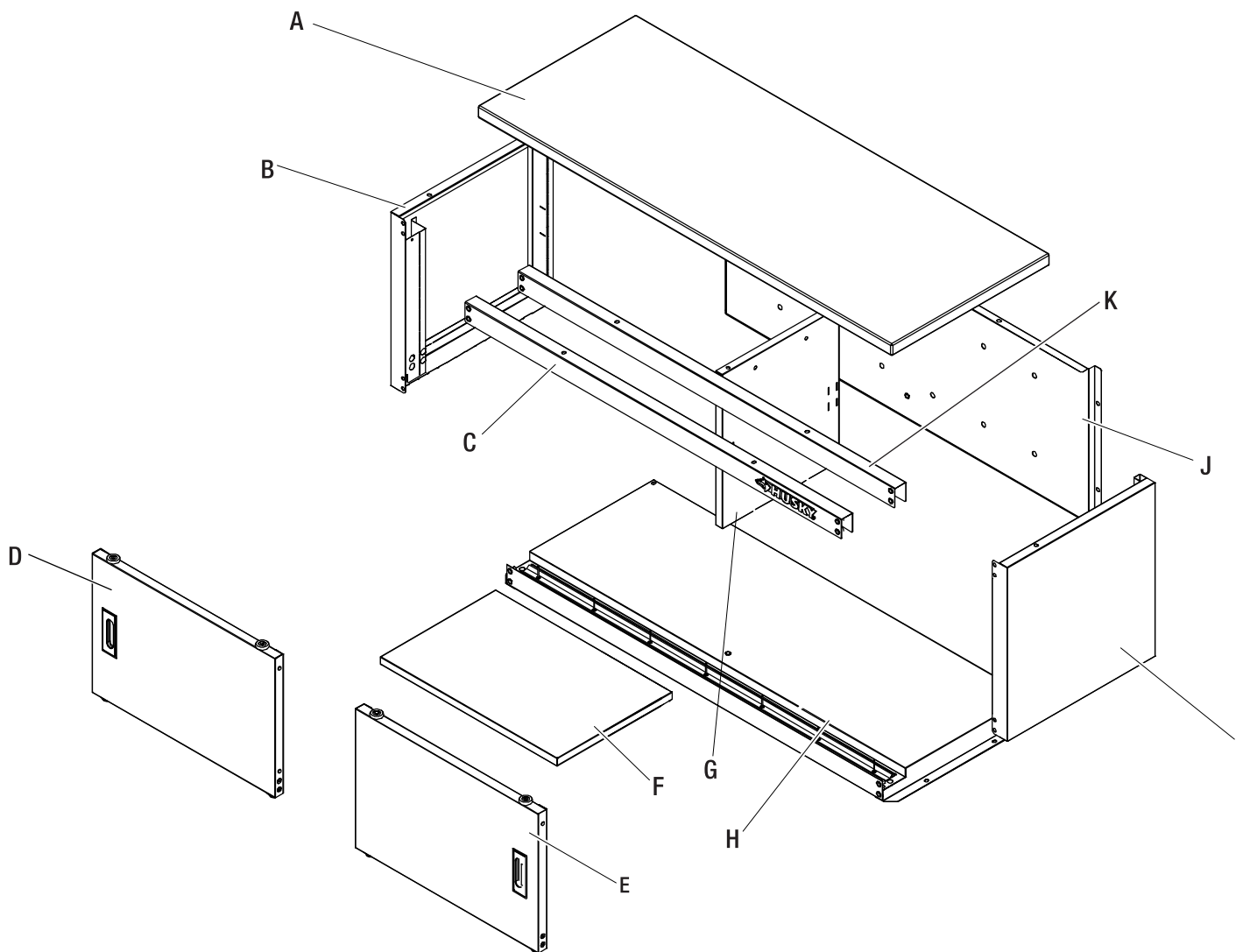
NOTE: Hardware not shown to actual size.



Part	Description	Quantity
AA	M6 x 16 hex socket head screw	30
BB	Adjustable foot	4
CC	Shelf bracket	4

Pre-Installation (continued)

PACKAGE CONTENTS



Part	Description	Quantity
A	Solid wood top	1
B	Left side panel	1
C	Outer front stiffener	1
D	Left door	1
E	Right door	1
F	Shelf	1

Part	Description	Quantity
G	Center panel	1
H	Bottom panel	1
I	Right side panel	1
J	Back panel	1
K	Inner front stiffener	1

Assembly



NOTE: Assemble on a flat surface. A piece of cardboard is recommended to keep the product from being scratched during assembly.



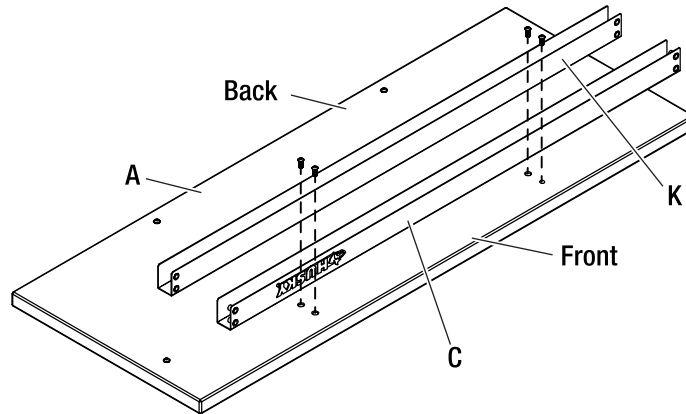
Please wear gloves during the whole assembly process.

1 ATTACH THE FRONT STIFFENERS AND SOLID WOOD TOP



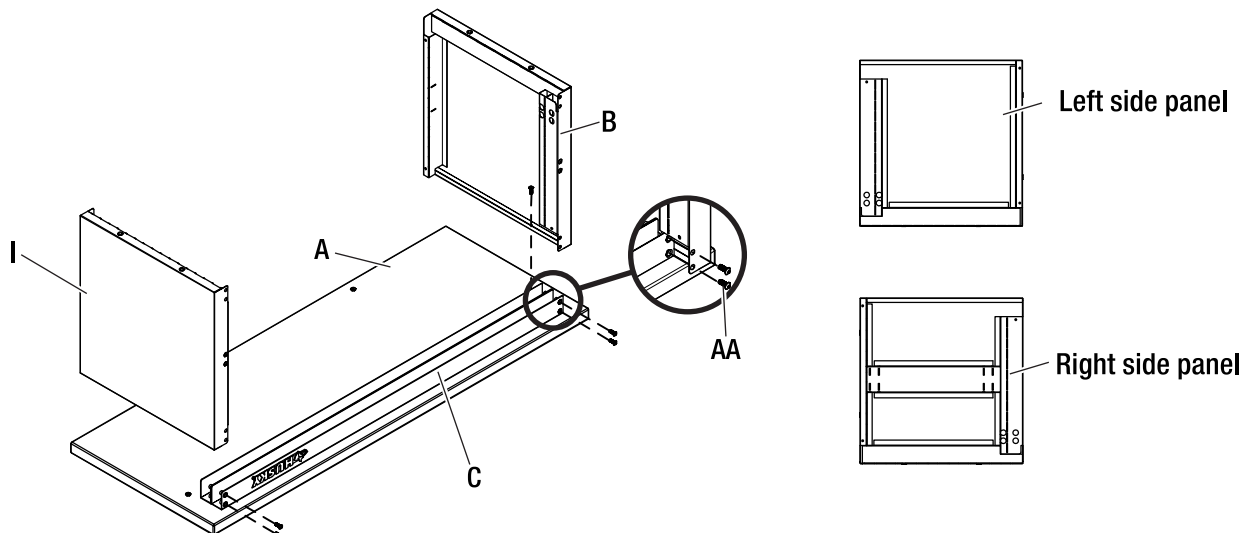
NOTE: The front stiffener (C) with HUSKY logo should be at the front with the logo facing outwards.

Attach the front stiffeners (C&K) to the solid wood top (A) with four M6 X16 hex socket head screws (AA).



2 ATTACH THE SIDE AND BOTTOM PANELS

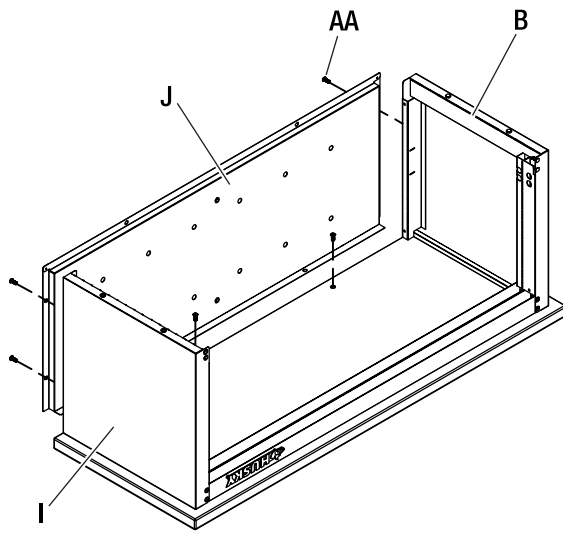
- Put the left side panel (B) onto the left end of the solid wood top (A). The front of the left side panel (B) should cover the end of the front stiffener (C).
- Fix the left side panel (B) and front stiffener (C) together with two M6 x 16 hex socket head screws (AA).
- Fix the left side panel (B) and solid wood top (A) together with one M6 X 16 hex socket head screw (AA).
- Repeat the same procedure to attach the right side panel (I).
- Tighten securely.



Assembly (continued)

3 ATTACH THE BACK PANEL

- Attach the back panel (J) to the back of the side panels (B&I) with four M6 X 16 hex socket head screws (AA).
- Fix the back panel (J) and solid wood top (A) together with two M6 X 16 hex socket head screws (AA).
- Tighten securely.

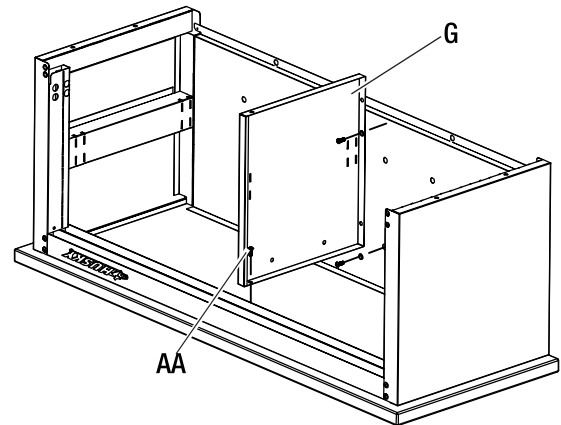


4 ATTACH THE CENTER PANEL



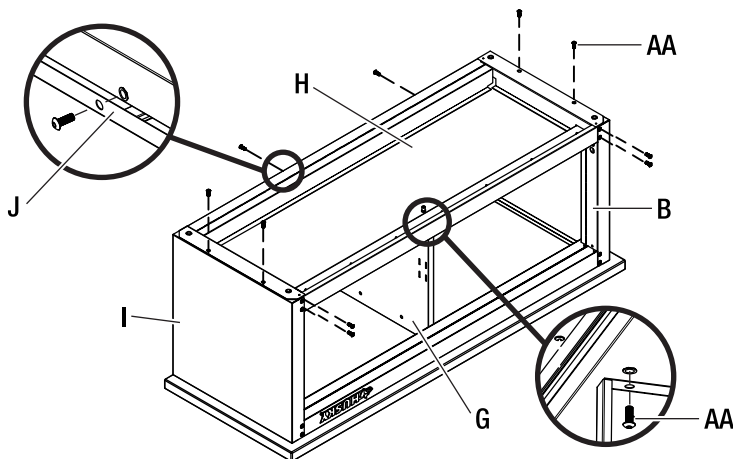
NOTE: The flat face of the center panel should face the right side panel.

Attach the center panel (G) to the center of the bench with three M6 X 16 hex socket head screws (AA).



5 ATTACH THE BOTTOM PANEL

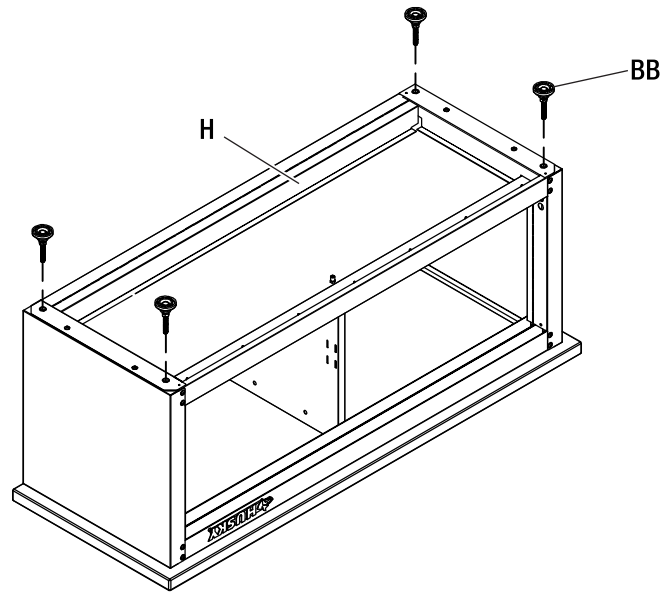
- Put the bottom panel (H) onto the bench bottom.
- Fix the bottom panel (H) and side panels together with four M6 X 16 hex socket head screws (AA).
- Fix the bottom panel (H) and back panel (J) together with two M6 X 16 hex socket head screws (AA).
- Insert one M6 X 16 hex socket head screw (AA) through the center panel (G) to the bottom panel (H) to fix them together.
- Tighten securely.



Assembly (continued)

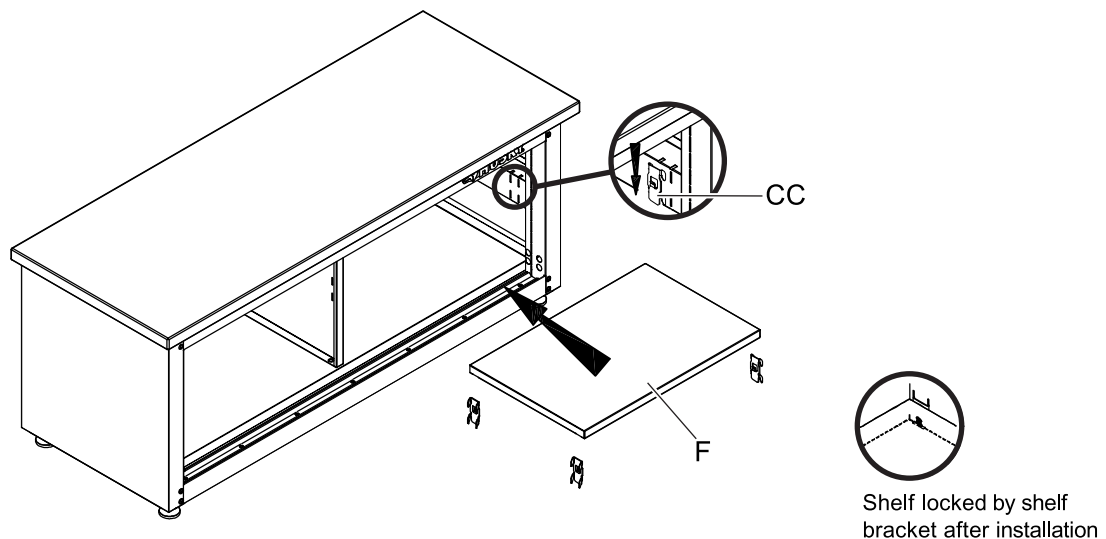
6 INSTALL THE ADJUSTABLE FEET

- Install the adjustable feet (BB) to the bottom panel (H).
- Turn over the bench to make it stand up.



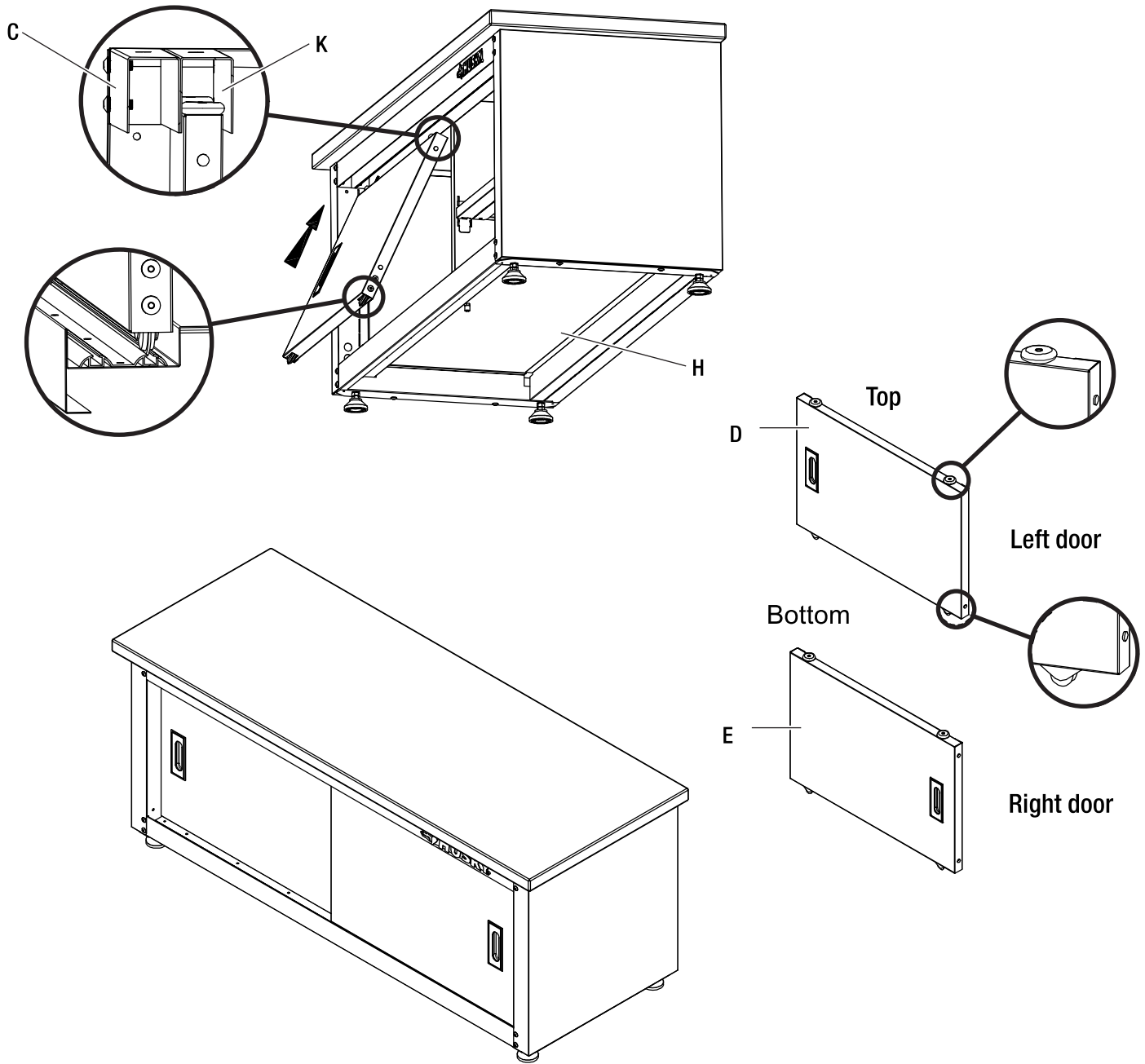
7 ATTACH THE SHELF

Insert four shelf brackets (CC) into the center and right side panels. Place the shelf (F) over the shelf brackets (CC), and push it down onto the shelf brackets (CC). Make sure the shelf (F) is properly and safely locked by the upright hooks of the shelf brackets (CC).



8 INSTALL THE DOORS

- Insert the top end of one door (D/E) into the groove of the inner top stiffener (K), and put the door's bottom end onto the inner protuberant rail on the bottom panel (H).
- Slide the door to make sure its bottom rollers sit right into the rail groove and it slides smoothly.
- Repeat the same procedure to install the other door into the grooves of the outer front stiffener (C) and outer bottom rail.



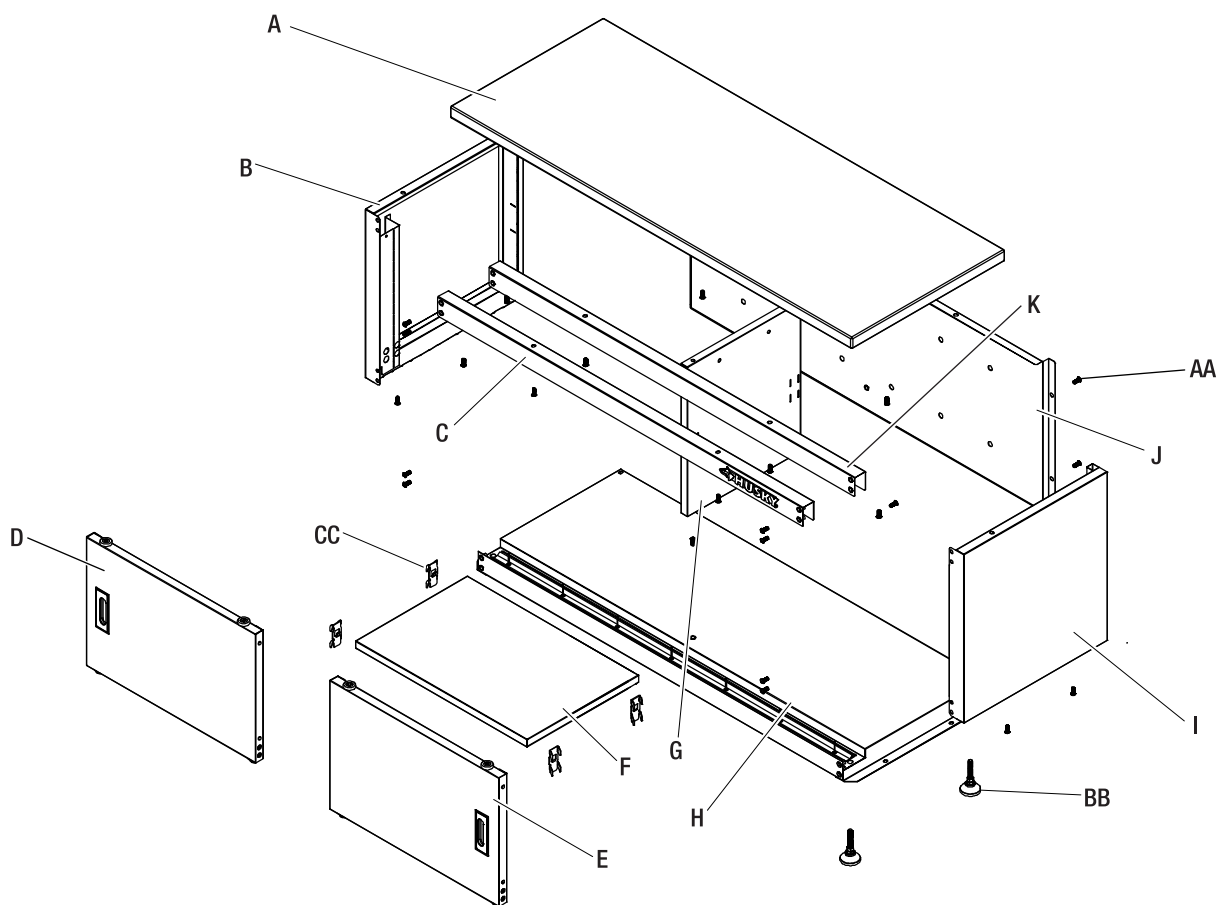
Maintenance

- Check all the screws and nuts periodically for tightness. Tighten them when necessary.

Care and Cleaning

- Periodically clean the surfaces with a soft rag and water.
- Grease and oil can be removed with most standard cleaning fluids. For safety, use a nonflammable cleaning fluid.

Service Parts



Part	Replacement Part #	Description	Quantity
A	571475	Solid wood top	1
B	116375	Left side panel	1
C	116385-N01	Outer front stiffener	1
D	116386	Left door	1
E	116387	Right door	1
F	234159	Shelf	1
G	234162	Center panel	1

Part	Replacement Part #	Description	Quantity
H	116384	Bottom panel	1
I	116376	Right side panel	1
J	116382	Back panel	1
K	234160	Inner front stiffener	1
AA	320327	M6 x 16 hex socket head screw	30
BB	110068	Adjustable foot	4
CC	226078	Shelf bracket	4



Questions, problems, missing parts? Before returning to the store,
call Husky Customer Service
8 a.m.-5 p.m., EST, Monday-Friday

1-888-HD-HUSKY

WWW.HUSKYTOOLS.COM

Retain this manual for future use.