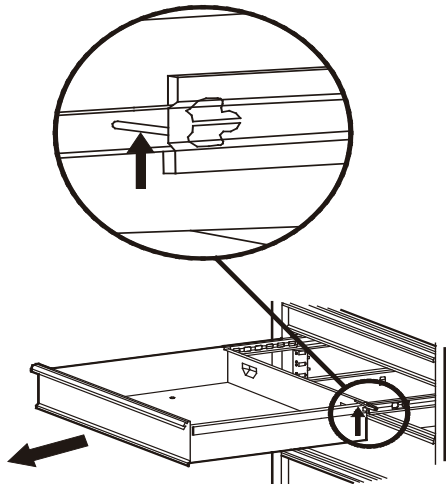


Operation

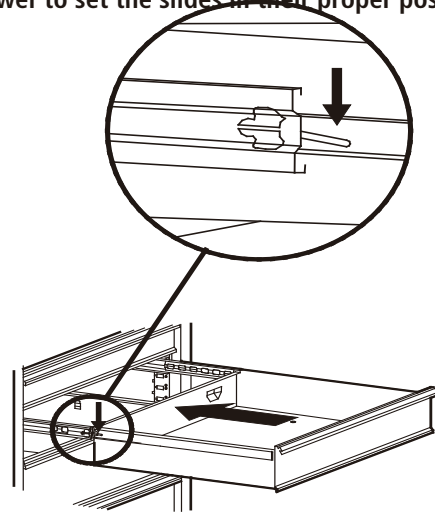
1 Removing the drawers

- Fully extend the empty drawer.
- Push up the one black release lever while pulling down on the other black release lever.
- Pull the drawer outward until it is released from the drawer slide.



2 Re-inserting the drawers

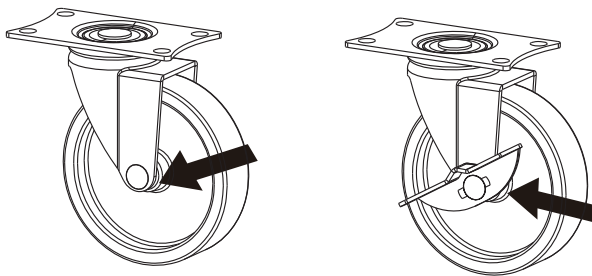
- Extend the drawer slides.
- Insert the brackets on each side of the drawer into the slots in the slides, being careful that they are properly positioned.
- Once properly inserted, completely close the drawer to set the slides in their proper positions.



Maintenance

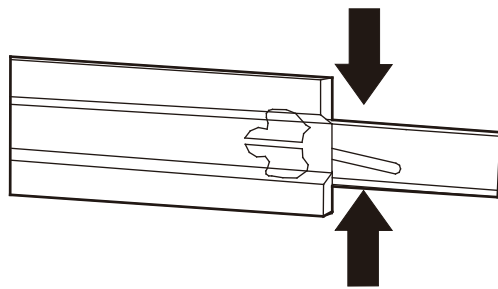
1 Caster maintenance

- Grease the casters annually using high-quality bearing grease.



2 Drawer maintenance

- Lubricate the slides semi-annually.



Care and Cleaning

- Periodically clean the drawer fronts, drawer trim, and other surfaces with a mild detergent and water.
- Auto wax preserves the storage unit's luster finish and protects against scratches. Apply the wax as you would on a car.
- Remove grease and oil with a standard nonflammable cleaning fluid.