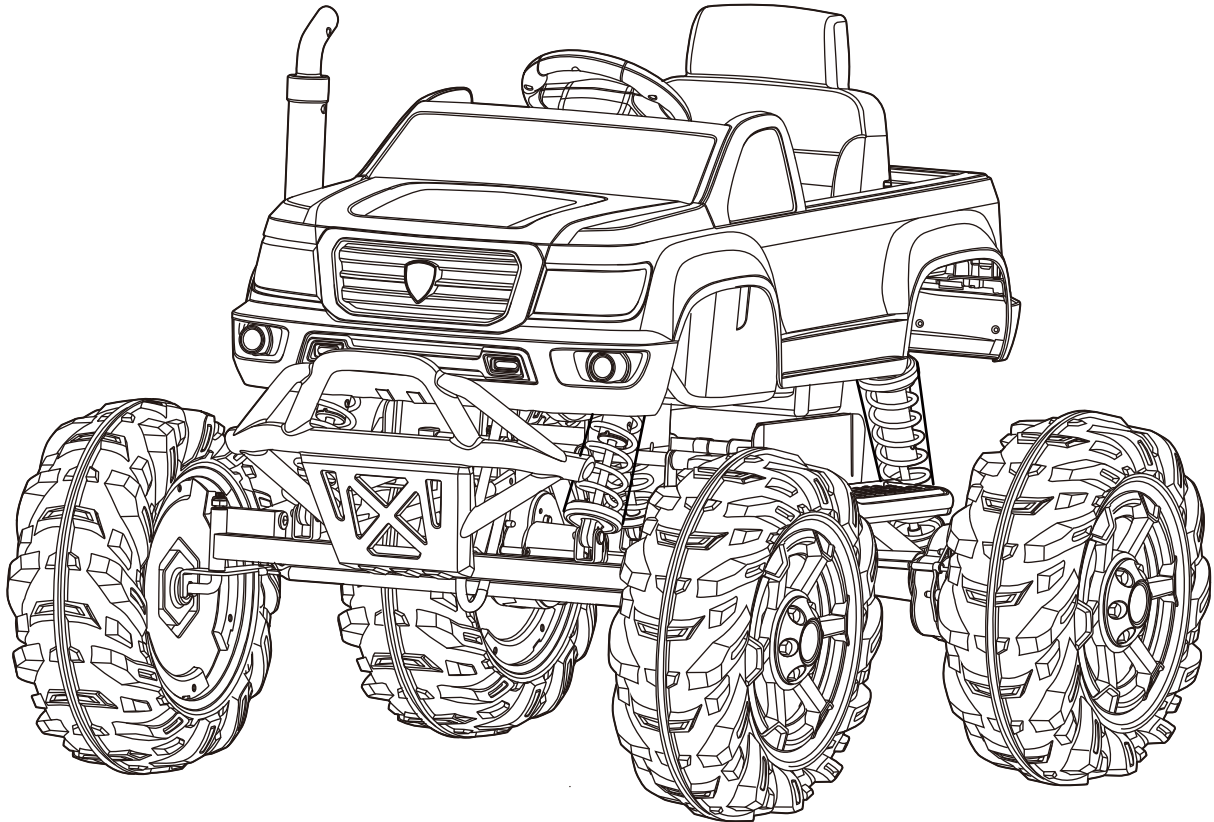




24V MONSTER TRUCK



Owner's Manual and Assembly Instructions

Model #: W421

Read and understand the entire manual before assembly and operation. The vehicle must be assembled by an adult who has read and understands the instructions.

Made in China.

Styles and colors may vary. Do not return to store. Visit us online at www.rollplay.com for assistance and replacement parts.

IMPORTANT:

Save this manual with your sales receipt.

This vehicle is preset to run at the low speed of 1.86 MPH. To allow higher speed please see page 18.



Introduction

Thank you for purchasing this Rollplay vehicle! We hope the rider enjoys it for miles to come. Please read this instruction guide carefully before assembling and operating the vehicle.

Please contact Rollplay Customer Service with any questions.

Keep your sales receipt or register your product at www.rollplay.com. Have your model number and serial number ready before calling. Please have proof of purchase.

Hours: 9 AM - 5 PM (CST), Monday - Friday

Phone: 1-888-982-9309

Email: customerservice@rollplay.com

Web: www.rollplay.com

For French inquiries, please email only at customerservice@rollplay.com.

Specifications:

BATTERY	24V 5AH
MOTOR	24V
AGE	3 Years and Up
MAX WEIGHT	35 kg (77 lb)
PRODUCT SIZE	96 x 90 x 130 cm (33.7 x 35.4 x 51.1 in)
FORWARD SPEED	High speed 6.6 km/h (4.1 MPH) Low speed 3 km/h (1.86 MPH)
REVERSE SPEED	3 km/h (1.86 MPH)
RECHARGE TIME	8-12 Hours
TYPICAL RUN TIME	1-2 Hours
CHARGER OUTPUT	DC 24.0V 0.6 A

IMPORTANT!

YOU MUST CHARGE THE BATTERY FOR 24 HOURS BEFORE FIRST USE!

Charge the battery after each use.

Charge the battery at least once a month, even if the vehicle is not in use.

BEFORE RETURNING YOUR PRODUCT TO THE STORE, CONTACT ROLLPLAY WITH QUESTIONS.

E-mail Customer Service if you need assistance or replacement parts. Please have your model number and serial number ready before calling. Keep your sales receipt or register your product at www.rollplay.com as we will require proof of purchase.
customerservice@rollplay.com

Read this entire manual to ensure proper assembly and safe operation of the vehicle.

4 Table of Contents

Safety	5-6
Parts	7
Charging Instructions	8
Assemble the Steering Rod	9
Assemble the Shock Absorbers	10
Assemble the Front Wheels	11
Assemble the Rear Wheels	12
Assemble the Exhaust Stack	13
Assemble the Steering Wheel	14
Assemble the Brush Guard	15
Attach the Seat	16
Steering Wheel Batteries	17
Product Features	18
Maintenance	19
General Care	20
Troubleshooting Guide	21-22
FCC Information	23
Service and Repairs	24
Warranty	25
Product Registration	26



WARNING: SAFETY RIDING RULES

The user must follow all safety rules and guidelines, or serious injury or death may occur to the user.

- Always use common sense and safe practices when using the vehicle. The user must be at least 3 years old and weigh no more than 35 kg (77 lb).
- This product contains small parts that are for adult assembly only. Keep small children away when assembling. Remove and dispose of all protective material and plastic bags before assembly.
- Riders must always wear a fitted helmet that complies with U.S. Consumer Product Safety Commission (CPSC) Standard 16 CFR 1203.
- Do not allow more than one rider.
- Do not overload the vehicle. Do not remove the weight restriction decals.
- Do not pull the vehicle with another vehicle or similar device.
- Keep body parts such as hands, legs, hair and clothing away from moving parts. Moving parts can cause serious injury.
- Always wear shoes in the vehicle.
- Do not operate near streets or motor vehicles.
- Do not operate near drop-offs such as steps, steep inclines or hills. Operate on relatively level ground.
- Do not operate near water, swimming pools or other fluids.
- Do not operate in dangerous weather conditions such as rain or snow.
- Do not operate near loose dirt, mud, sand or fine gravel.
- Do not operate near flammable vapors (gasoline, paint thinner, acetone, etc.).
- Always use the vehicle in a safe, secure environment with adult supervision.

PREVENT INJURIES AND DEATHS:

NEVER LEAVE CHILD UNATTENDED. ALWAYS keep child in view when child is in vehicle. Direct adult supervision is **REQUIRED**.

NEVER use in roadways, near motor vehicles, on or near steep inclines or steps, swimming pools or other bodies of water

ALWAYS wear shoes. **ALWAYS** sit on the seat. **RISK OF FIRE**. Do not bypass.

Remove batteries if product is to be left unused for a long time; Always replace the whole set of batteries at one time, taking care not to mix old and new ones, or batteries of different types.

6 **Safety** *(Continued)*

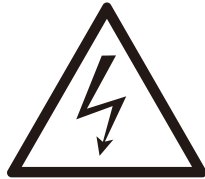


WARNING: BATTERY SAFETY

- Battery posts, terminals and related accessories contain lead and lead components. **DO NOT** open the battery.



- Contact exposure to battery leakage (lead acid) may cause serious injury. Immediately contact your doctor if exposure occurs. If the chemical is on the skin, flush immediately with cool water for 15 minutes. If the chemical is swallowed, immediately give the person water or milk. Do not give water or milk if the person is vomiting or has decreased alertness. Do not induce vomiting.



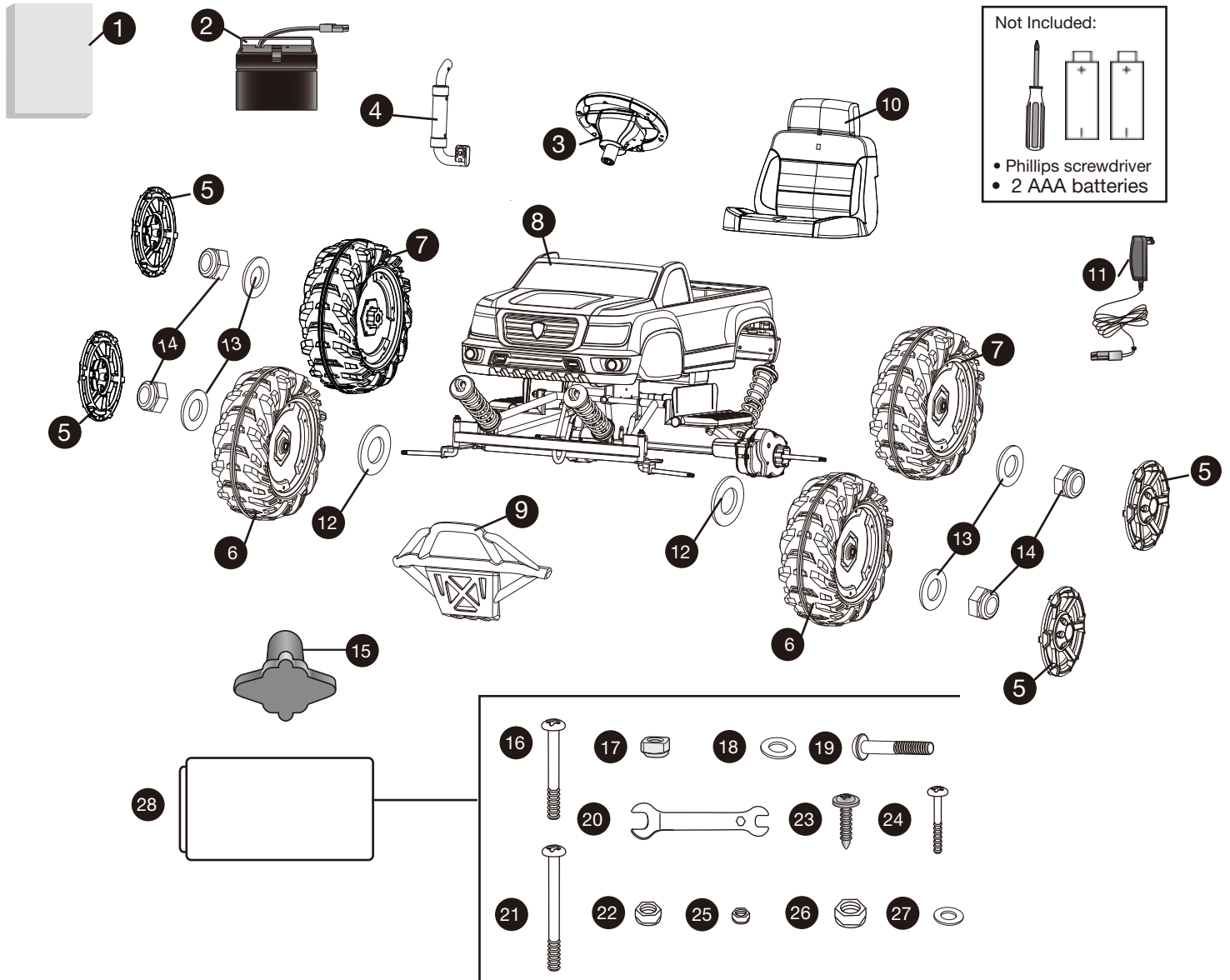
- Tampering with or modifying the electric circuit system may cause shock, fire or explosion. It could permanently damage the system. Keep the charger housing closed to prevent exposed wiring, which may cause electric shock.

IMPORTANT: Before using the vehicle for the first time, the battery must be charged for a full 24 hours (no more than 30 hours).

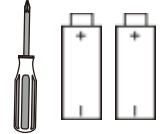


WARNING: ADULT SUPERVISION REQUIRED

- Before using the vehicle, the rider must understand the vehicle controls and safety issues.
- It is the responsibility of the adult to educate the child and to determine if the child is capable of understanding the vehicle controls.
- An adult must **ALWAYS** directly supervise the use of this vehicle.
- **NEVER** leave a child unsupervised in the vehicle.



Not Included:



- Phillips screwdriver
- 2 AAA batteries

- | | |
|--------------------------------------|----------------------------------|
| 1. Manual | 15. Hex Wrench |
| 2. 24V Battery | 16. Steering Wheel Screw M5x50 |
| 3. Steering Wheel | 17. Steering Wheel Nut M5 |
| 4. Exhaust Stack | 18. $\phi 8$ Washers (4) |
| 5. Wheel Covers (4) | 19. Screws M8X38 (4) |
| 6. Front Wheels (2) | 20. Wrench |
| 7. Rear Wheels (2) | 21. Brush Guard Screws M6X48 (2) |
| 8. Car Body | 22. Brush Guard Nuts M6 (2) |
| 9. Brush Guard | 23. Bolt ST4.2x15 |
| 10. Seat | 24. Screw M4x18 |
| 11. Battery Charger | 25. Screw Nut M4 |
| 12. $\phi 12$ Front Washers (2) | 26. Screw Nuts M8 (4) |
| 13. $\phi 10$ Front/Rear Washers (4) | 27. $\phi 6$ Washers (2) |
| 14. M10 Front/Rear Wheel Nuts (4) | 28. Blister Pack |

Helpful Tip:

1. Parts 16-26 are located in the blister pack
2. Spare parts: 2 bolts.
3. Rear wheels are marked with an "R" and front wheels are marked with an "F"

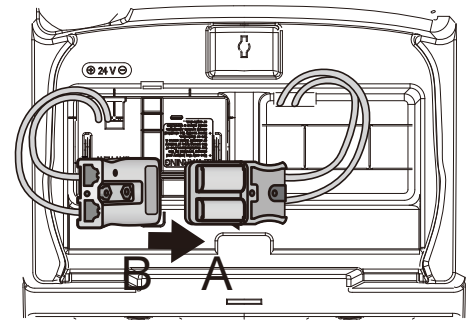
8 Charging Instructions

YOU MUST CHARGE THE BATTERY FOR 24 HOURS BEFORE THE FIRST USE!

ONLY AN ADULT SHOULD HANDLE THE BATTERY AND CHARGER.

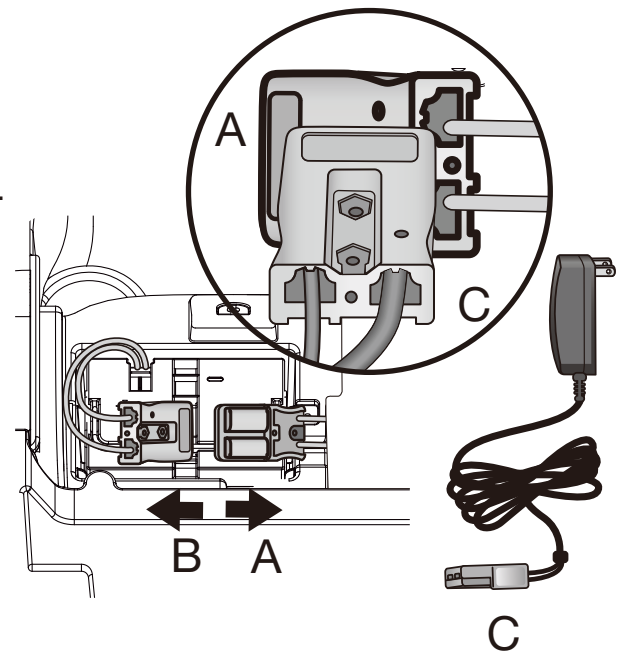
Connect the Battery:

1. Ensure the vehicle is stopped and turned off.
2. Locate the seat lock on the seat, then use a coin or flat head screwdriver to turn the seat lock to the unlock position. Remove the seat.
3. Locate the white battery connector (A) that attaches directly to the battery.
4. Connect the white battery connector to the white engine connector (B).
5. Replace the seat (see Page 16 for instructions).



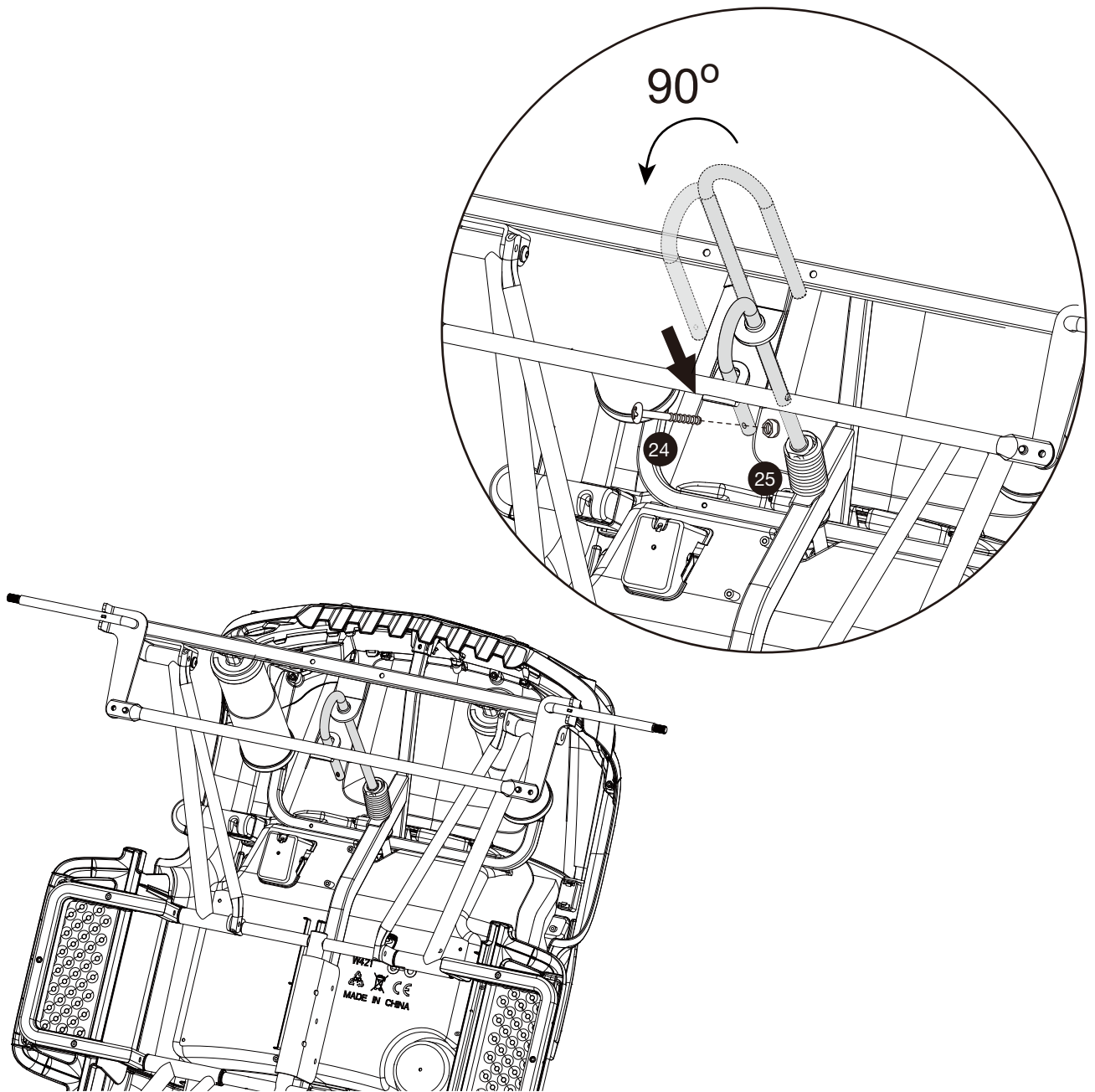
Charge the Battery:

1. Ensure the vehicle is stopped and turned off.
2. Unlock and remove the seat.
3. Unplug the connector (A) from the connector (B). Plug the charger connector (C) into the battery connector (A). The light on the charger will turn red to indicate that it is charging. Once the battery is fully charged, the light will turn green. Unplug the battery from the charger and reconnect it to the engine connector (B).
4. Replace and lock the seat.



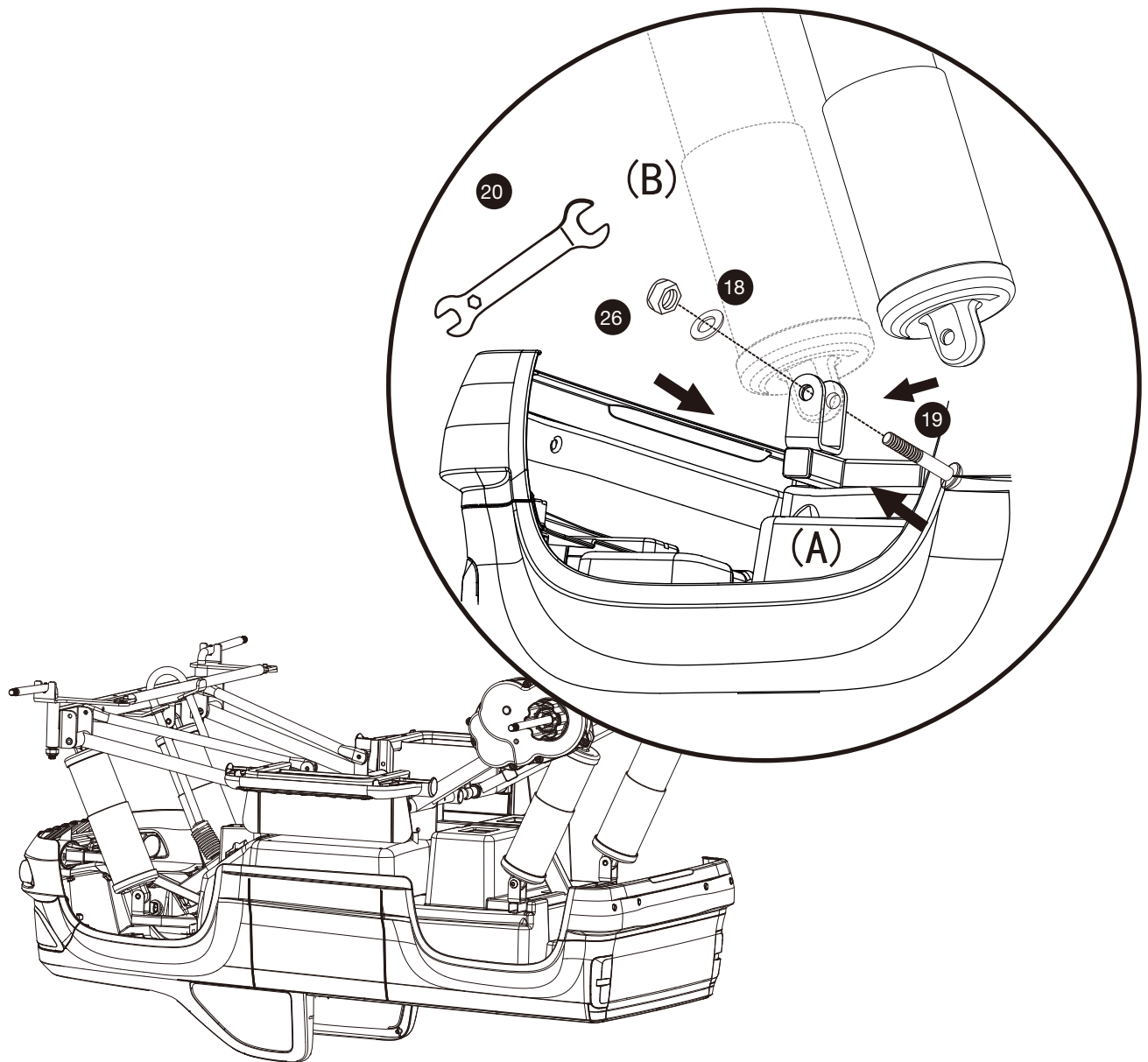
Note: Recommended battery charging voltage should not exceed 30V.

Assemble the Steering Rod 9



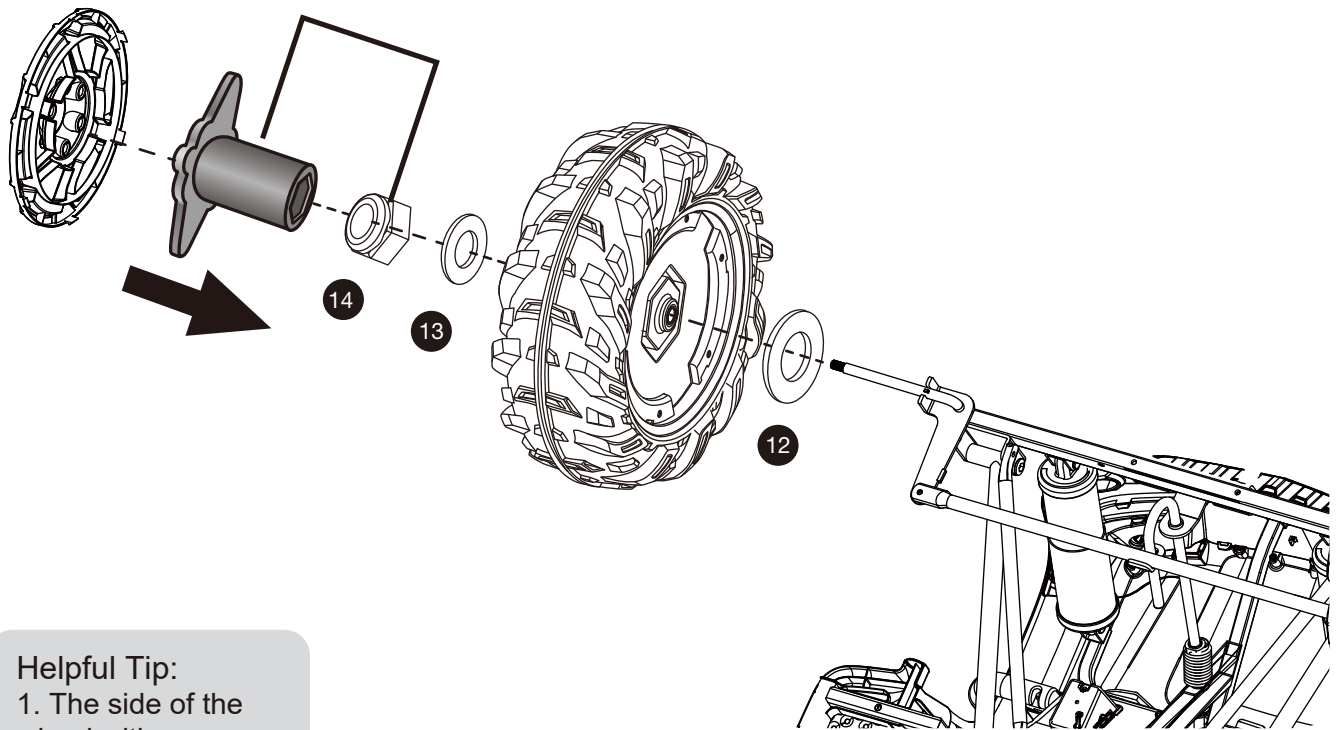
1. Place the vehicle upside down on a soft surface and locate the steering rod hole.
2. Turn the steering rod to 90° , insert the steering rod into the steering rod hole.
3. Insert the screw (24) through the hole located on the shorter end of the steering rod and through the hole on the car body, fasten the nut (25) to the end of the screw.

10 Assemble the Shock Absorbers



1. Take out the screw (19), washer (18), wrench (20) and nut (26) from the blister pack.
2. Align the shock absorber (B) with the metal holes.
3. Insert the screw (19) through the holes. Then slide the washer and screw nut onto the screw.
4. Fasten with a screwdriver and wrench.
5. Repeat steps 1-4 for the other three shock absorbers.

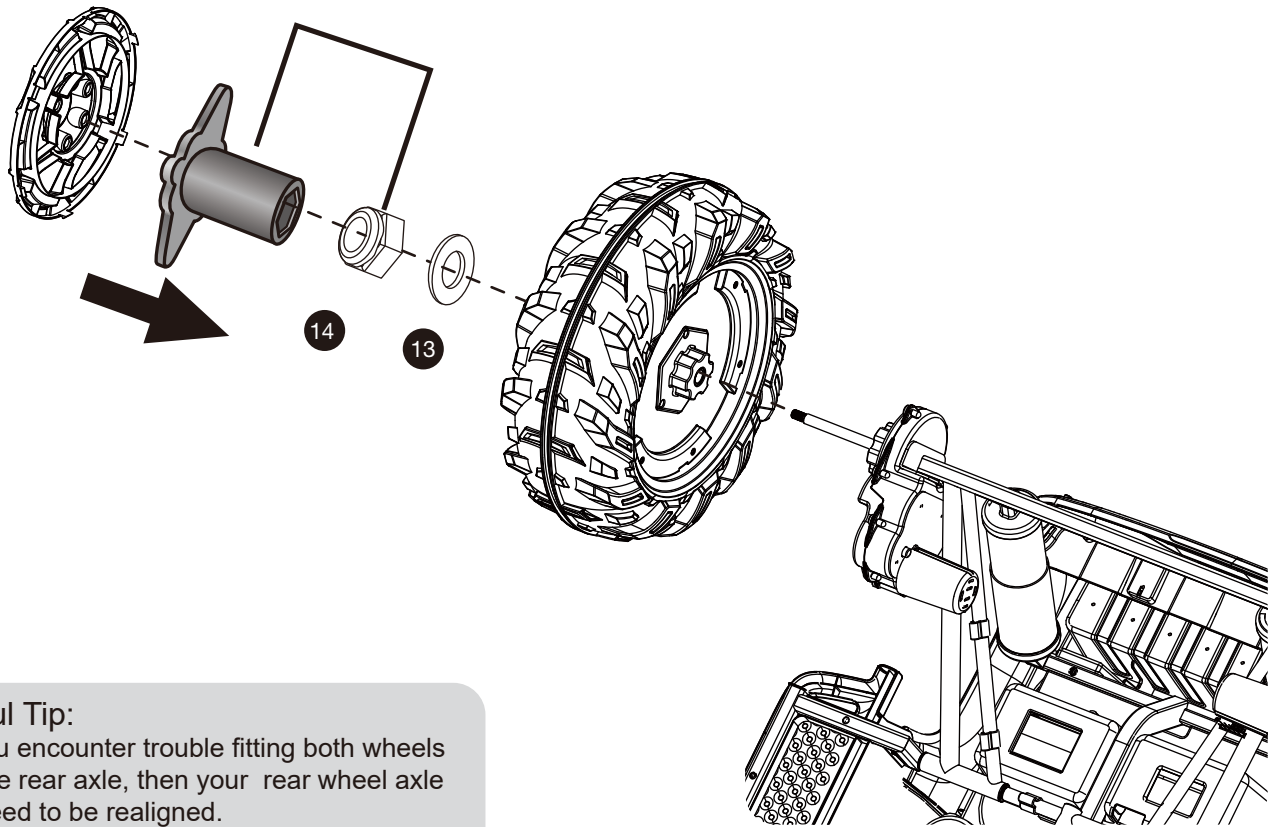
11 Assemble the Front Wheels



Helpful Tip:

1. The side of the wheel with rectangular tabs should face outward and the side marked with an "F" faces inwards.

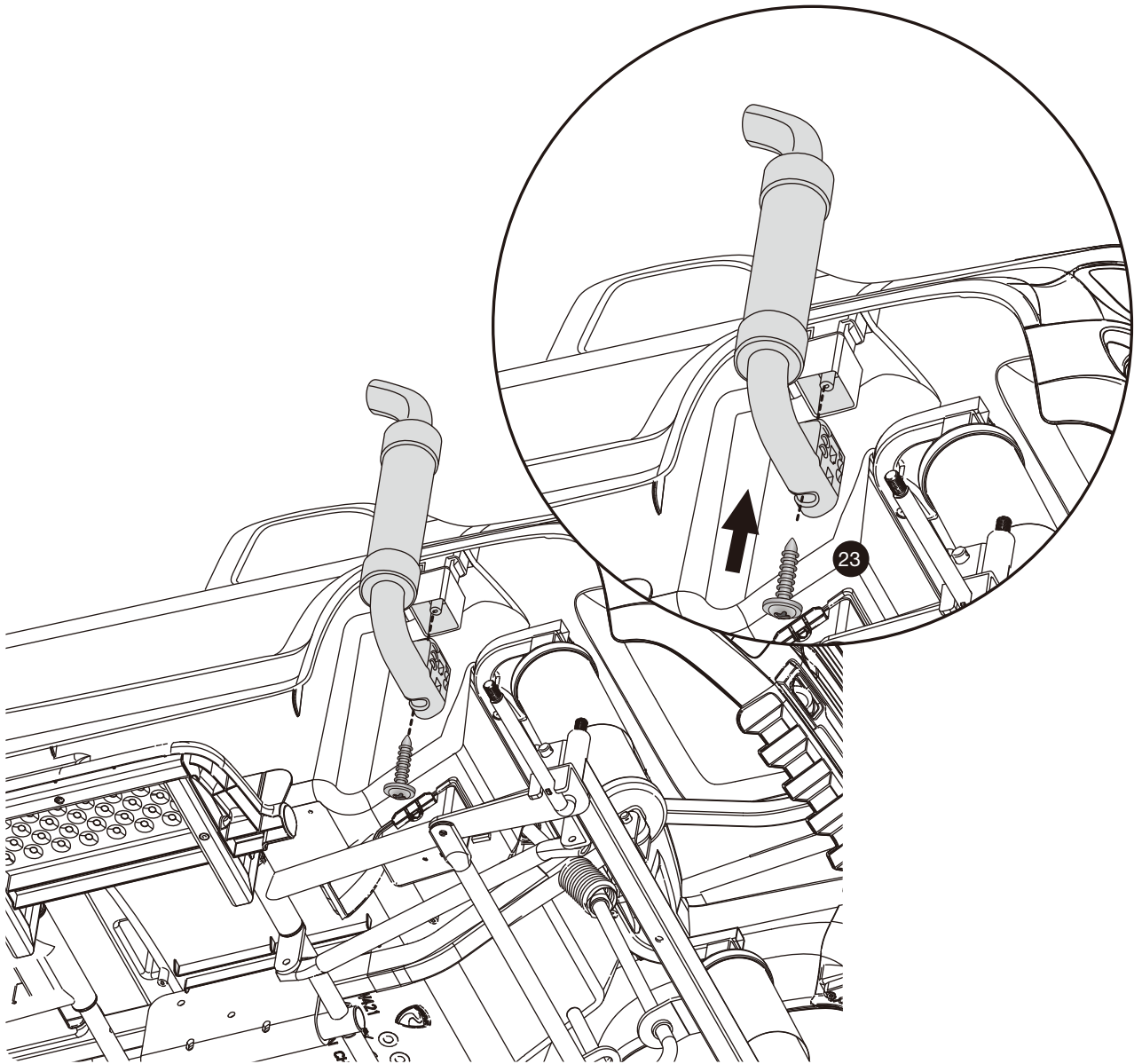
1. Take out the $\phi 12$ front washers (12), $\phi 10$ front/rear washers (13) and nut (14) from the blister pack.
2. Slide a $\phi 12$ front washer (12) and front wheel onto the axle.
3. Slide a $\phi 10$ front/rear washer (13) and wheel nut (14) onto the axle, then use the hex wrench (15) to tighten.
4. Snap on the wheel cover by aligning the tabs on the cover with the slots on the wheel and press until it clicks into place.
5. Repeat these steps for the other front wheel.



Helpful Tip:

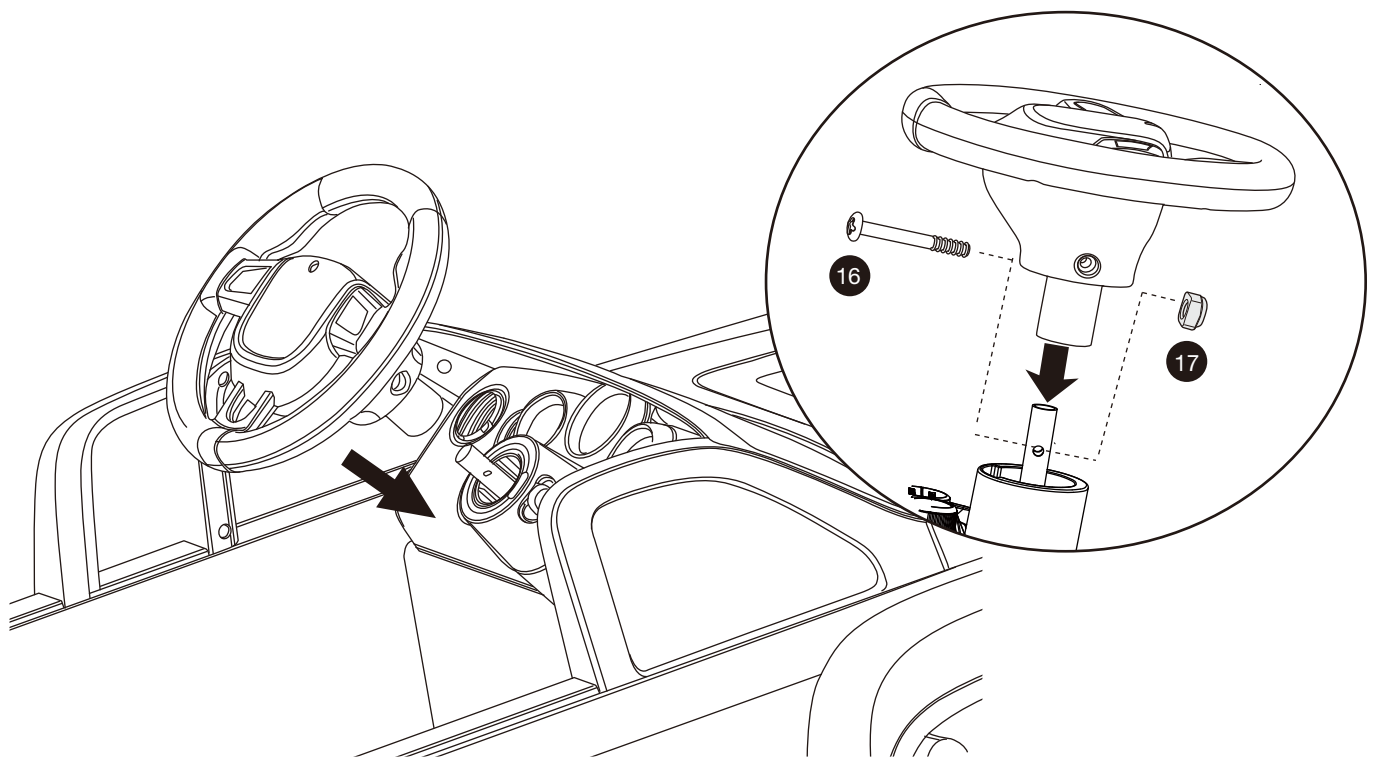
1. If you encounter trouble fitting both wheels onto the rear axle, then your rear wheel axle may need to be realigned.
2. Remove a wheel from the axle. Pull or push on the axle to slide it until you have enough room on both sides.

1. Take out the washer (13) and screw (14) from the blister pack. Slide the rear wheel (7) onto the axle. Ensure that the gears on the wheel connect with the gearbox.
2. Slide a $\phi 10$ rear washer (13) onto the axle.
3. Slide a wheel nut (14) onto the axle, then use the hex wrench to tighten.
4. Snap on the wheel cover by aligning the tabs on the cover with the slots on the wheel.
5. Repeat these steps for the other rear wheel.



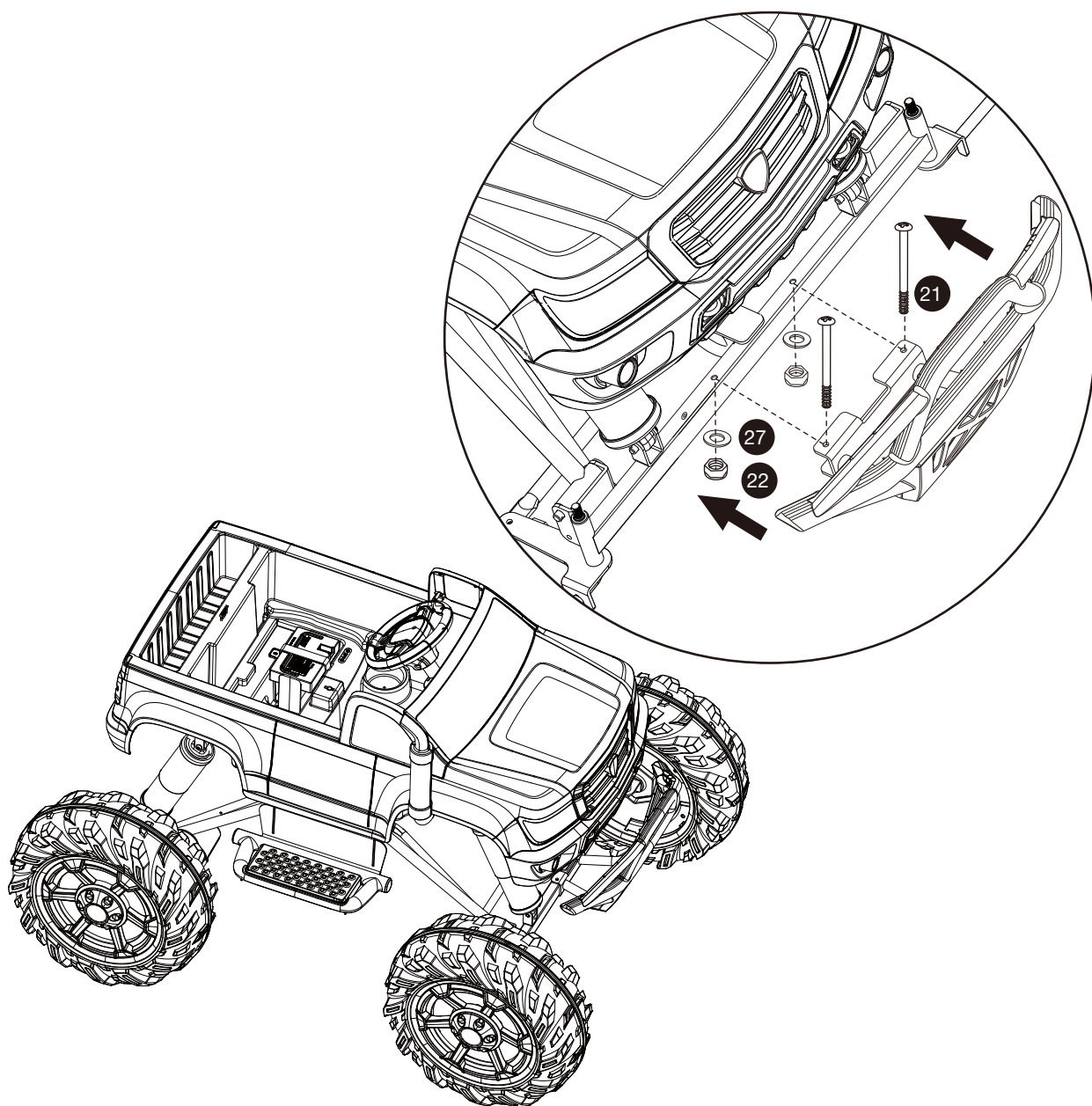
1. Place the square piece of the exhaust stack in the square slot on the car body, then use a screwdriver to secure it with the 4.2 x 15 bolt (23).

Assemble the Steering Wheel

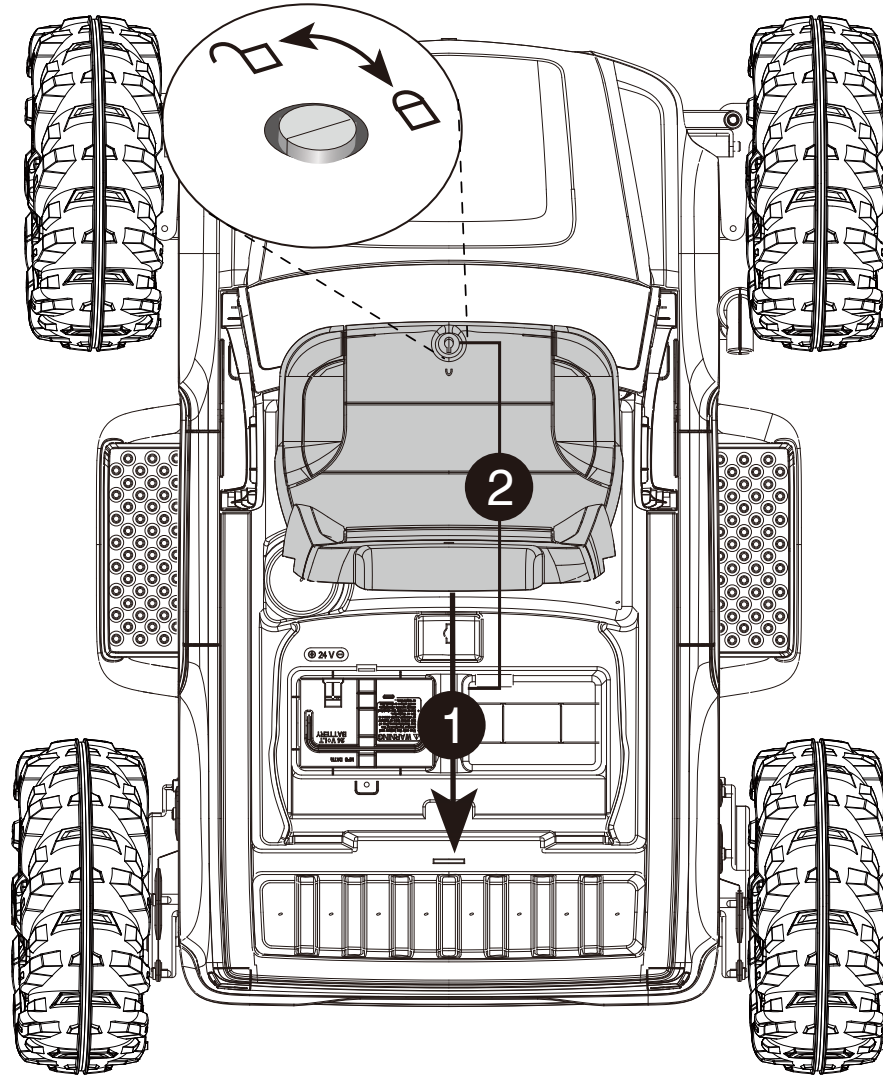


1. Locate the steering wheel screw (16) and nut (17) from the blister pack (27).
2. Align the steering wheel (3) with the steering rod, and insert it into the rod.
3. Align the holes on the steering wheel (3) with the holes on the steering rod.
4. Insert the steering wheel screw (16) through the steering wheel (3) and steering rod. Insert the nut (17) into the other side of the steering wheel (3).
5. Fasten the screw (16) with a screwdriver.

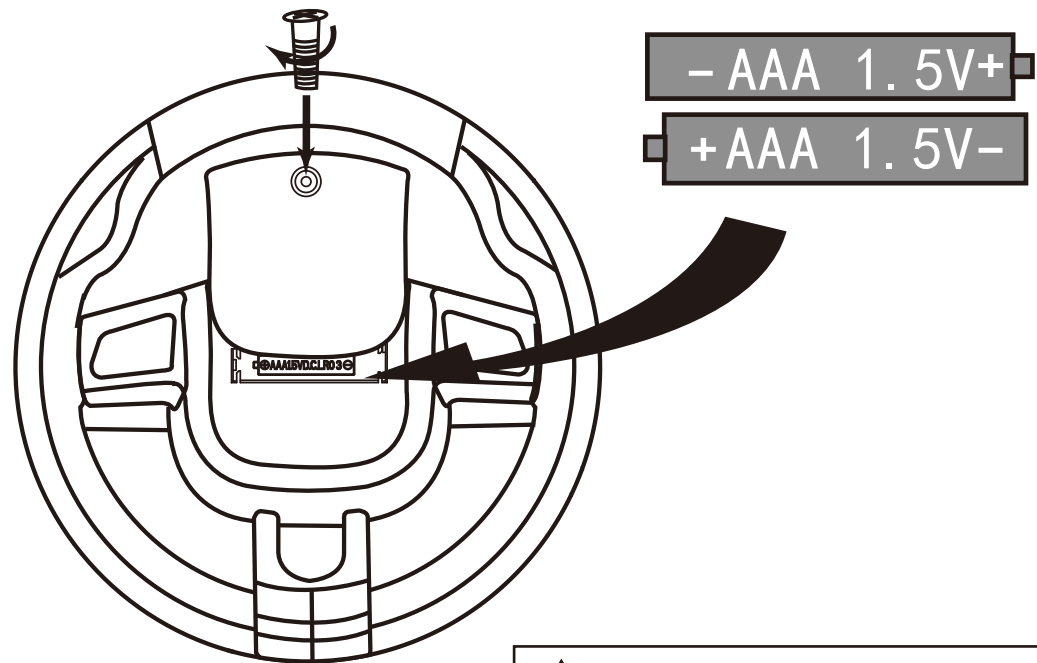
Assemble the Brush Guard 15



1. Locate the brush guard, 2 M6x48 screws (21), 2 $\phi 6$ washers (27) and 2 M6 nuts (22). The screws and nuts are located in the blister pack.
2. Align the holes on the brush guard with the holes on the metal frame under the front bumper.
3. Insert the $\phi 6$ washers (27) and screws into the holes through the brush guard and frame, then secure them with the nuts.



1. Make sure the seat lock is turned to the unlocked position. Slide the tab on the back of the seat into the slot on the car body.
2. Align the seat over the battery compartment. Ensure the locking mechanism aligns with the hole on the car body. Then, slide the seat into position.
3. Turn the seat lock clockwise until it is in the locked position to properly secure in place. The image above shows the seat lock in the locked position.



! WARNING!

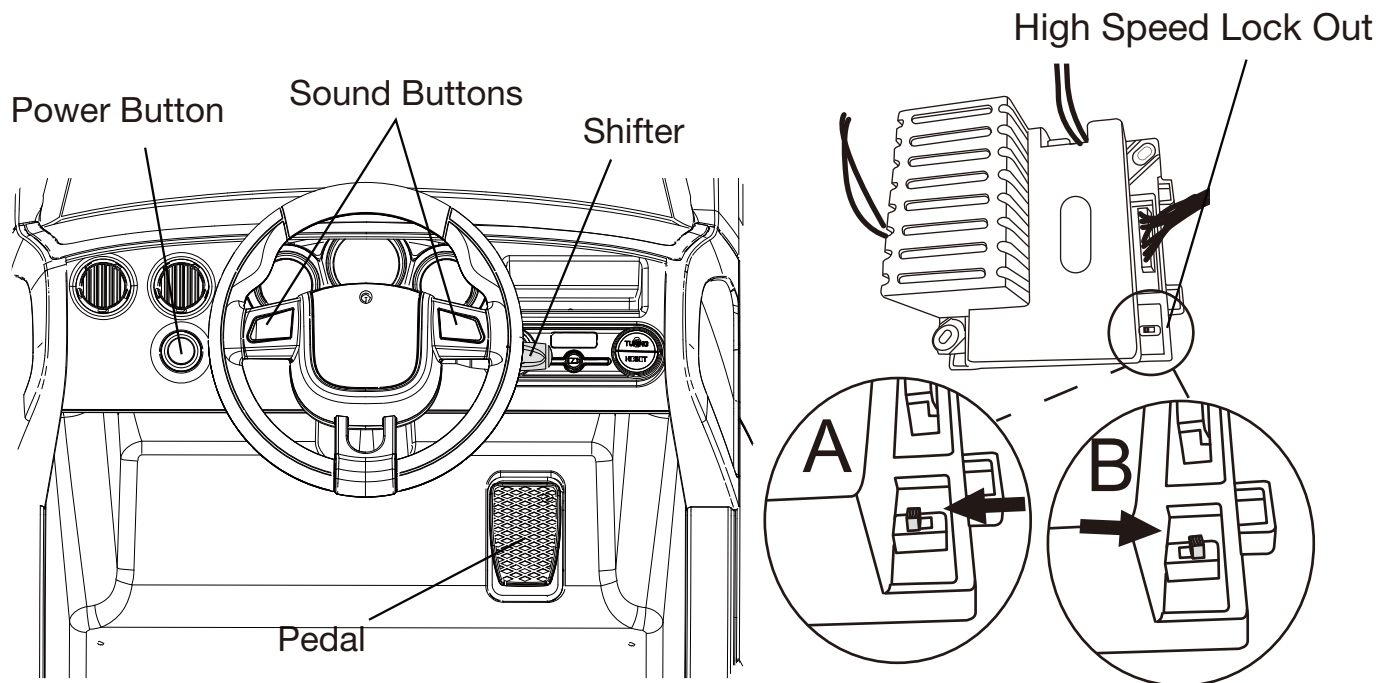
DO NOT mix old and new batteries.

DO NOT mix alkaline, standard (carbon-zinc) or rechargeable (nickel-cadmium) batteries.

Steering wheel requires 2 x AAA batteries

1. Open the battery compartment cover with a screwdriver.
2. Insert the two AAA batteries into the battery compartment.
3. Replace the battery compartment cover and secure the cover with a screwdriver.

18 Product Features



Power Button

Push the Power Button to turn the vehicle ON/OFF. The Power Indicator Light will turn on when the car is on.

Shifter

Pull the Shifter up to move forward. Pull the Shifter down to reverse.

Foot Pedal

Press the Foot Pedal down to move. The vehicle will stop when the Foot Pedal is released.

Sound Buttons

Press the Sound Buttons on the steering wheel for horn and engine sounds.

High Speed Lock Out

To limit your child's speed while using the vehicle, you can turn on the High Speed Lock Out feature. Remove the seat and locate the control board (pictured above). On the bottom corner of the control board is a small switch to control the speed.

- Move the switch to Diagram A's position for high speed, 6.6 km/h (4 MPH).
- Move the switch to Diagram B's position to limit the vehicle to low speed, 3 km/h (1.86 MPH).

Please note that the vehicle only travels at 3 km/h (1.86 MPH) when moving in reverse.

Headlights

The Headlights will turn on automatically when the vehicle is in motion.

Important Battery and Charger Information

- Only an adult who has read and understands the safety warnings may handle and operate the battery and battery charger. Keep away from children.
- Charge the battery for 24 hours before using the vehicle for the first time.
- Recharge the battery immediately after each use. Charge for at least 8-12 hours, but no more than 20 hours.
- Charge the battery at least once a month, even if the vehicle is not used or stored.
- Never leave the battery in a discharged condition.
- Connect the terminal of the battery and charger, then plug the charger into a 120V AC outlet.
- It is normal for the charger to heat slightly. If the charger rises above 71°C / 160°F, disconnect the charger and call Customer Service for assistance.
- Keep the charger away from water or excessive moisture to prevent short-circuiting.
- Only use the charger specified with the original item. **Do not charge the battery with any other charger.**
- Do not attempt to recharge non-rechargeable batteries with the original charger.
- **Do not replace the battery with any other battery, or the warranty will be voided.** If you need a replacement battery, see Page 24 for replacement information.
- Remove damaged batteries from the car immediately. Recycle or dispose of the used batteries responsibly.
- Do not short circuit the supply terminals.
- Do not leave the battery connected in the vehicle for extended periods of time when the vehicle is not being used. Disconnect the battery connector from the engine connector before storing.
- The vehicle is equipped with a thermal fuse to protect the electric circuit. If the vehicle cuts out, turn the vehicle off and on to reset.

- Regularly inspect all vehicle parts to ensure they are in good working condition.
- Regularly inspect the charger, cord, plug, and other related parts for damage.
- Remove any damaged parts and immediately contact Customer Service for replacement parts. See Service and Repairs on Page 24 for more information.
- DO NOT operate the vehicle if there are any damaged parts.
- Carefully clean the vehicle with a damp cloth and mild soap. Do not get water in or near any electrical parts. Do not wash the vehicle with a hose.
- Store the vehicle indoors or use a tarp to cover it. Keep away from stoves, heaters, or other sources of heat.

21 Troubleshooting Guide

Completely read through the manual and troubleshooting guide before contacting Customer Service.

Problem	Potential Cause	Solution
Vehicle does not run	Battery is low	Recharge the battery
	Thermal fuse tripped	Reset fuse
	Loose wires or loose connectors	Ensure the battery connectors are securely attached. If wires are loose, contact Customer Service
	Battery is dead	Call Customer Service for replacement battery
	Electrical system is damaged	Call Customer Service
	Motor is damaged	Call Customer Service
Vehicle only runs for a short time	Undercharged battery	Ensure a secure connection when the battery is recharging. Recharge for at least 8-12 hours
	Overcharged battery	Never charge the battery for more than 30 hours
	Battery is old	Replace battery
Vehicle runs slowly	Battery is not fully charged	Ensure a secure connection when the battery is recharging
	Battery is old	Call Customer Service to order a replacement battery
	Too much weight on vehicle	Reduce weight on vehicle (77 lbs max)
	Harsh conditions	Operate the vehicle on level ground and safe surfaces

Problem	Potential Cause	Solution
Vehicle needs a push to start	Loose wires or loose connectors	Ensure the battery connectors are securely attached. If wires are loose, contact Customer Service
	“Dead spot” on motor	A “dead spot” means electricity is not being delivered to the terminal. Contact Customer Service
Difficulty shifting	Attempting to shift while vehicle is moving	Stop the vehicle before shifting
Motor or gear box making grinding noises	Motor or gear damage	Contact Customer Service
Battery will not recharge	Charger is not plugged in	Plug in the charger to a functional wall outlet
	Charger is not working	Call Customer Service for a replacement
	Loose connector or loose adapter	Check that the connectors are securely plugged into each other
Battery makes bubbling noise while recharging	This is normal	No action required
Charger is warm	This is normal	No action required

23 **FCC Information**

This device complies with part 15 of the FCC Rules. Operation is subject to the following two conditions: (1) this device may not cause harmful interference, and (2) this device must accept any interference received, including interference that may cause undesired operation.

This equipment has been tested and found to comply with the limits for a Class B digital device, pursuant to Part 15 of the FCC Rules. These limits are designed to provide reasonable protection against harmful interference in a residential installation.

This equipment generates, uses and can radiate radio frequency energy and, if not installed and used in accordance with the instructions, may cause harmful interference to radio communications. However, there is no guarantee that interference will not occur in a particular installation. If this equipment does cause harmful interference to radio or television reception, which can be determined by turning the equipment off and on, the user is encouraged to try to correct the interference by one or more of the following measures:

- Reorient or relocate the receiving antenna.
- Increase the distance between the equipment and the receiver.
- Consult dealer or an experienced radio/TV technician for help.
- Connect the equipment into an outlet on a circuit different from that to which the receiver is connected.
- Check the state or local requirements for the product before using the product.

Caution: Changes or modifications not expressly approved by the party responsible for compliance could void the user's authority to operate the equipment.

Do not return this vehicle to the store.

If your product requires service, repairs or replacement parts, please contact Rollplay Customer Service.

Hours: 9 AM - 5 PM (CST), Monday - Friday

Phone: 1-888-982-9309

Email: customerservice@rollplay.com

Web: www.rollplay.com

For a list of available replacement parts, please visit www.rollplay.com.

WE WILL REQUIRE PROOF OF PURCHASE. Please save your sales receipt or register your product at www.rollplay.com.

Rollplay 24-Volt Limited Warranty

- One-year limited warranty from the date of purchase with proof of purchase from a Rollplay certified retailer.
- Six month limited warranty on the 24-Volt battery with proof of purchase from a Rollplay certified retailer.
- This one-year limited warranty covers the ride-on vehicle against defects in materials and workmanship to the original purchaser. **Proof of purchase receipt from a Rollplay certified reseller is required.**
- Rollplay ensures the original 24-Volt battery is warranted for 6 months from initial purchase of the vehicle from a certified retailer. Proof of purchase receipt required.
- This warranty covers normal use and does not cover the Rollplay vehicle or battery if deemed damaged by unreasonable use, modification, neglect, accident, abuse, misuse, improper service or other causes not arising out of defects in materials or workmanship. Evidence of any attempt at customer repair will void this warranty.
- This warranty does not cover, and is not intended to exclude any liability on the part of Rollplay, whether under this warranty or implied by law for any indirect or consequential damages for breach of warranty. Some states may not allow the exclusion or limitation so this limitation may not apply to you.

Should you need service or assistance with your vehicle during the warranty period:

- Please do not return vehicle to the store.
 - Consult the troubleshooting guide in this manual and online at www.rollplay.com
- or
- Call rollplay Customer Service at 1-888-982-9309

Note: This warranty gives you specific legal rights. You may also have other rights that may vary from state to state.

Please save your original sales receipt.

26 Product Registration

Fill out the form below and mail it to:

Rollplay Products
1131 W. Blackhawk St.
Second Floor
Chicago, IL 60642

OR fill out the form online at **www.rollplay.com**

We will use the information provided only for your warranty. We will not sell, rent or share your personal information.

Product Registration

First Name: _____ Last Name: _____ Title: _____

Address: _____

City: _____ State: _____ Zip Code: _____

Email: _____ Phone: _____

Date of Purchase: _____

The following product information is on the cover of the owner's manual.

Product Name: _____ Model Number: _____

Serial Number: _____ Retailer Place of Purchase: _____

Questions or comments? Contact us at **www.rollplay.com** or **1-888-982-9309**