



## Medium Duty Commercial Three Element Electric Water Heaters

<b>Job Name:</b>	<b>Location:</b>
<b>Engineer:</b>	<b>Wholesaler:</b>
<b>Mechanical Contractor:</b>	<b>Notes:</b>
<b>Model Number:</b>	
<b>Electrical Specifications:</b>	

### Electric Water Heater Models

- Ships Wired for Single Phase, Simultaneous Operation
- Example Model Number: ARIEC080C3W165
- Available in 80, 100, and 115 gallon capacities
- Available in 240 and 277 Volt Models

### Construction

- 316L stainless steel tank tolerates high temperatures and offers superior corrosion resistance
- Super-insulated for energy efficiency and minimal heat loss
- Outer jacket features attractive stainless steel appearance
- Water connections on the top of the water heater ease installation
- Top hot water outlet draws the hottest water from the tank
- Top cold water inlet with dip tube directs cold water to the lower heating element, minimizing the mixing of cold and heated water and providing long draws of hot water
- 3/4" inlet and outlet nipples constructed of durable brass
- Terminal block eases field wiring connections and installation

### Long Life Electric Elements / Thermostat High Limit Control

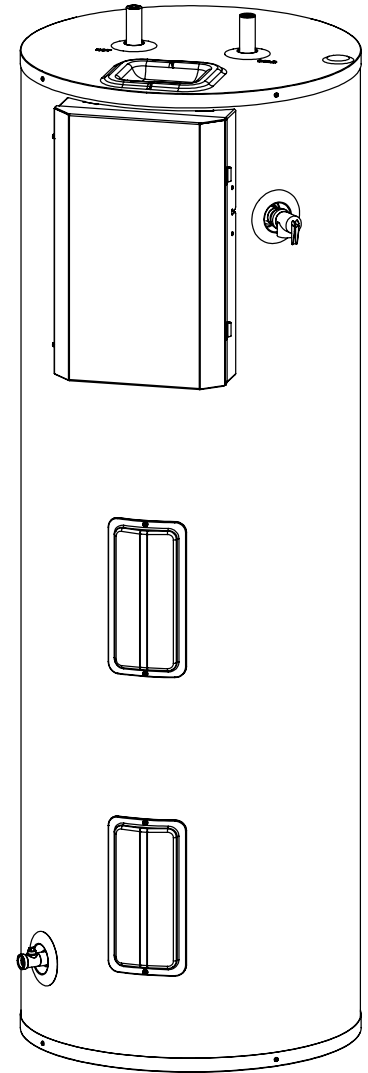
- Highest quality elements in the industry increase corrosion resistance, reducing the chance of element burnout and providing longer service life than conventional elements
- Immersed elements allow maximum recovery efficiency and direct, 98% efficient heat transfer
- Adjustable surface mounted thermostats provide years of reliable, trouble-free water temperature control
- Fully automatic high limit controls provide overheat protection - manual reset cutoff

### Additional Features

- Standard Five (5) Year Limited Warranty - One (1) year coverage on component parts
- Extended Ten (10) Year Limited Warranty if registered online - Extends coverage against inner tank leakage from the date of installation - One (1) year coverage on component parts
- Included ASME rated Temperature and Pressure Relief Valve
- Included Brass Drain Valve

### Certifications and Ratings Efficiency

- Low Standby Loss
- ETL Design Certified to meet UL 1453 Standard for Electric Booster and Commercial Storage Tank Water Heaters
- North Carolina Code compliant models available
- Lead Free compliant per the Safe Drinking Water Act, Section 1417
- Meets or exceeds ANSI requirements and tested according to DOE procedures
- Meets or exceeds the energy efficiency requirements of NAECA, ASHRAE Standard 90, ICE code, and all state energy performance criteria
- Exceeds energy efficiency codes of all states, including California Energy Commission (CEC)



Globally Recognized. Industry Respected.

**NOTE:** Ariston reserves the right to make product changes or updates without notice and will not be held liable for typographical errors in literature.

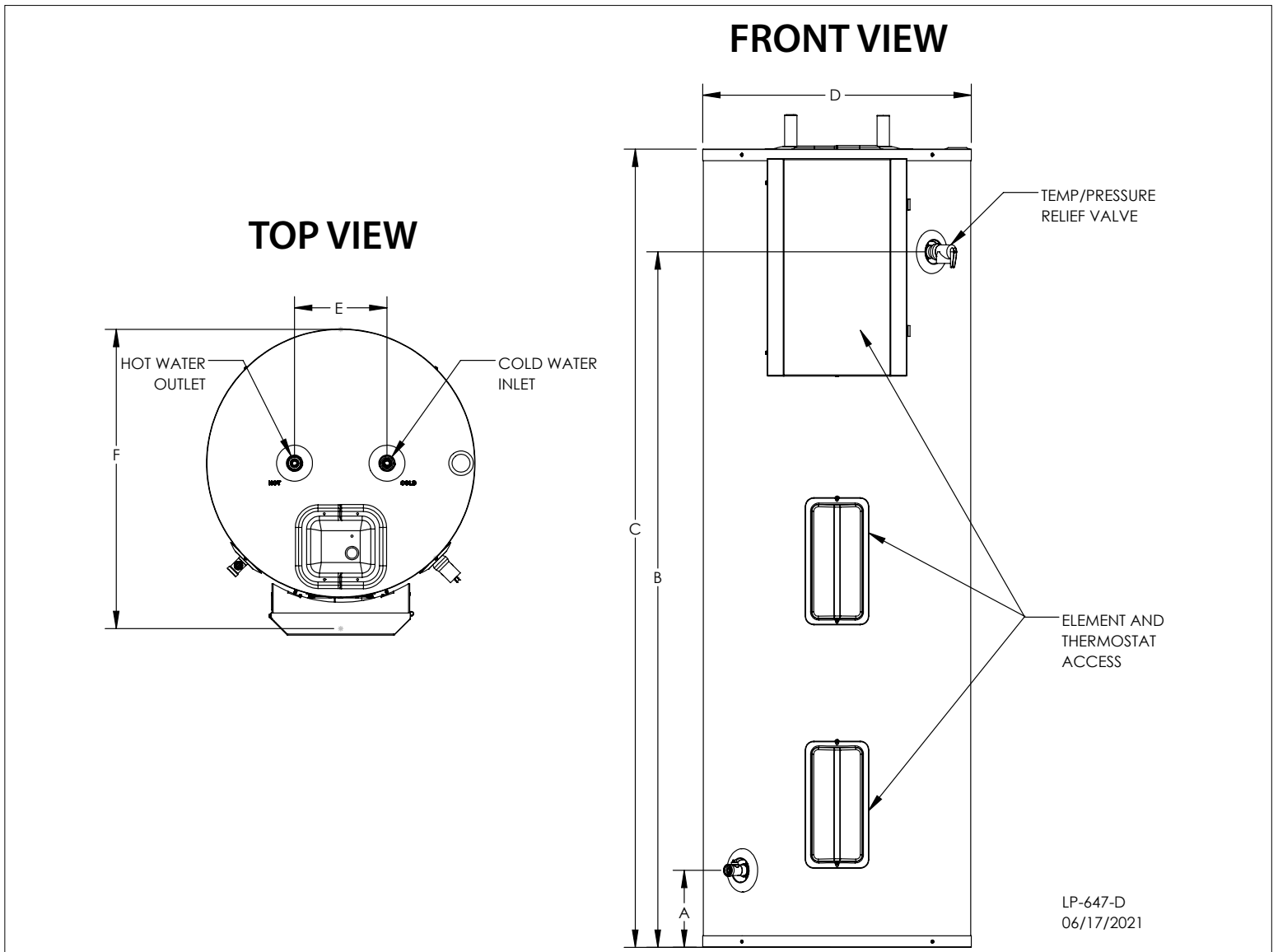


Figure 1 - Dimensional Drawing

Specifications and Dimensions									Water Temperature Ratings			
Models	Storage Capacity	A	B	C	D	E	F	Hot / Cold Inlets	Shipping Weight (Lbs. Est.)	Min. Delivered Temp.	Max. Delivered Temp.	High Temp. Limit
080	80	6 1/2"	60"	69"	23 1/4"	8"	26"	3/4" NPT	165	135°F (57.2 C)	181°F (82.8 C)	200°F (93.3 C)
100	100	7 1/4"	52"	61"	27"		30"		220			
115	115		60"	69"	27"		30"		240			

Table 1 - Specifications and Dimensions - See Table 3 for a List of Available Elements

Gallons	# Elements and Thermostats	Simultaneous	240	277	480
80, 100, 115	3	13,500	YES	NO	YES
		16,500	YES	NO	YES
		18,000	NO	YES	YES

Table 2 - Element Kits and Corresponding Wattages / Voltages - For Element Kit Part #'s, See Replacement Parts, This Manual

### Element Ordering Information

**Rated Voltage**

B = 208    D = 277  
C = 240    E = 480

**Input Rating (100's of Watts)**

3 Digits

**C 3 W 135 N**

# of Elements

**Phase / Operation**  
W = Single Phase - Simultaneous

**Element Construction**  
N = Stainless Steel Screw-In

Electrical Specifications											
Total Input (Kw)	# of Elements	Single Element Wattage	Full Load Current In Amperes						# of T-Stats	# of Fuses	# of Fuse Holders
			240V		277V		480V				
			Phase		Phase		Phase				
			1	3	1	3	1	3			
4.1*	3	4.1	-	-	-	-	-	-	3	6	2
4.5*		4.5	19	19	17	17	10	10			
5*		5	21	21	18	18	11	11			
5.5*		5.5	23	23	19	19	12	12			
6*		6	-	-	22	22	13	13			
12.5		4.2	-	-	-	-	-	-			
13.5		4.5	57	33	-	-	29	17			
14		4.7	-	-	51	30	-	-			
15		5	63	36	55	32	32	18			
16		5.3	-	-	58	34	-	-			
16.5		5.5	69	40	-	-	35	20			
18		6	-	-	65	38	38	22			

**Table 3 - \* Unit must be converted for Non-Simultaneous operation**

**Typical Specifications**

The water heater shall be an Ariston model # \_\_\_\_\_ with a \_\_\_\_\_ gallon storage capacity, an input of \_\_\_\_\_ kw (BTU), a recovery rate of \_\_\_\_\_ GPH at 100°F (56°C) temperature rise and be equipped for 240 volts, single phase, simultaneous operation.

The tank shall be constructed of 316L stainless steel, have a working pressure of 150 PSI (1,034 kPA) and test pressure of 300 PSI. The water heater shall be design certified by ETL to meet the UL 1453 Standard for Electric Booster and Commercial Storage Tank Water Heaters. These water heaters shall be supplied with 3/4" NPT brass inlet and outlet connections with built-in heat traps and a full port brass drain valve.

The water heater shall be equipped with an adjustable surface mounted thermostat with manual reset high limit safety control, and a terminal block for field wire connections. All water heaters will be shipped with an ASME Rated temperature and pressure relief valve.

Water heaters shall be covered by an extended limited warranty against inner tank leakage when registered online with Ariston. See product warranty for details. The surfaces of these products contacted by consumable water contain less than 0.25% lead by weight, as required by the Safe Drinking Water Act, Section 1417.

Maximum unit dimensions shall be length \_\_\_\_\_ inches, width \_\_\_\_\_ inches and height \_\_\_\_\_ inches. Approximate unit shipping weight shall be \_\_\_\_\_ pounds.