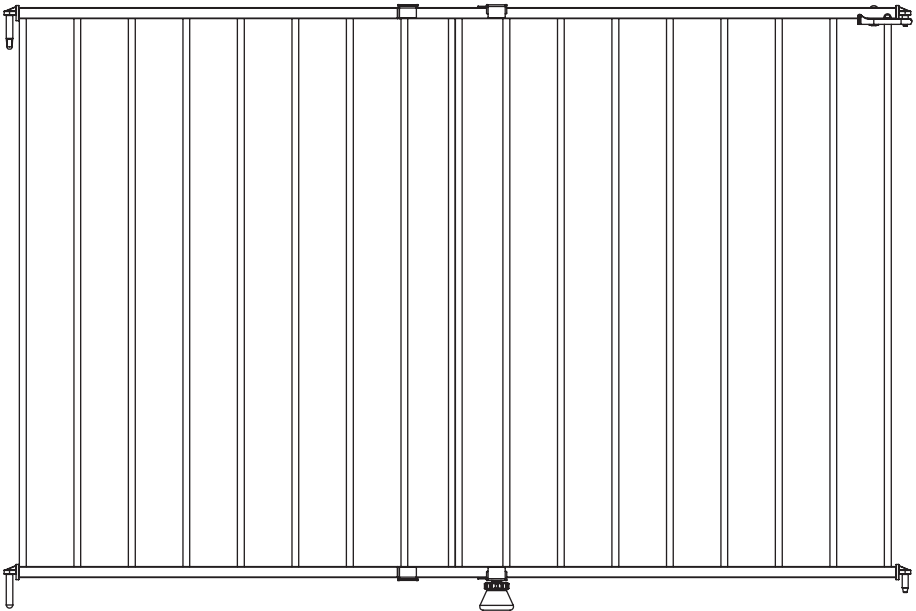




# Top of Stairs Safety Gate

OWNER'S MANUAL MODELS: 1230, 1230DS, 1235, 1235DS, 1240, 1240DS




- READ ALL INSTRUCTIONS BEFORE ASSEMBLY AND USE OF GATE.
- KEEP INSTRUCTIONS FOR FUTURE USE.

 [www.regalo-baby.com](http://www.regalo-baby.com)

 Regalo International, LLC.

3200 Corporate Center Drive, Suite 100 / Burnsville, MN 55306, USA

 866.272.5274 (U.S. only) or 952.435.1080

Made in China

# Before Using Product

---

Read and follow all instructions carefully to ensure that your gate is properly installed. Improper installation could result in the gate becoming unstable or dislodged from the doorway. The safety of your child is your responsibility. Please keep these instructions for your reference.

## **IMPORTANT**

- If hardware mounting to a surface other than drywall or wood, please consult with a professional about installation.



## WARNING

- Install according to manufacturer's instructions
- To prevent serious injury or death, securely install gate or enclosure and use according to manufacturer's instructions.
- Children have died or been seriously injured when gates are not securely installed. ALWAYS install and use gates as directed using all required parts.
- STOP using when a child can climb over or dislodge the gate.
- Use only with the locking/latching mechanism securely engaged.
- Install 6 inches away from top of stairs.
- NEVER use to keep child away from pool.
- **MODEL NO. 1230, 1230DS, 1235, 1235DS 1240, & 1240DS:** Intended for use with children between 6 and 24 months.
- Always ensure the gate is resting against the floor before beginning installation.
- This product will not necessarily prevent all accidents.
- NEVER leave child unattended.
- Check the gate regularly to see if all the hardware and mountings are tightened.
- Do not use if any components are missing or damaged.
- Adult assembly required.

## MODEL NO. 1230, 1230DS, 1240, & 1240DS

### Manufacturer recommendations:

- For children ages 6 months to 24 months
- When mounting between:
  - **Two walls without any baseboards** the opening width must be between 28" and 42".
  - **Two walls with one baseboard** the opening width must be between 29" and 43".
  - **Two walls with baseboards** the opening width must be between 30" and 43.5".
  - **One banister post and one wall without a baseboard** the opening width must be between 28" and 42" wide.
  - **One banister post and one wall with a baseboard** the opening width must be between 29" and 42.5".
  - **Two banister posts** the opening width must be between 28.5" and 42".

**NOTE:** Depending on the shape, dimensions and mounting components utilized in your doorway or opening, the maximum and minimum length of this gate may increase and/or decrease slightly.

## MODEL NO. 1235 & 1235DS

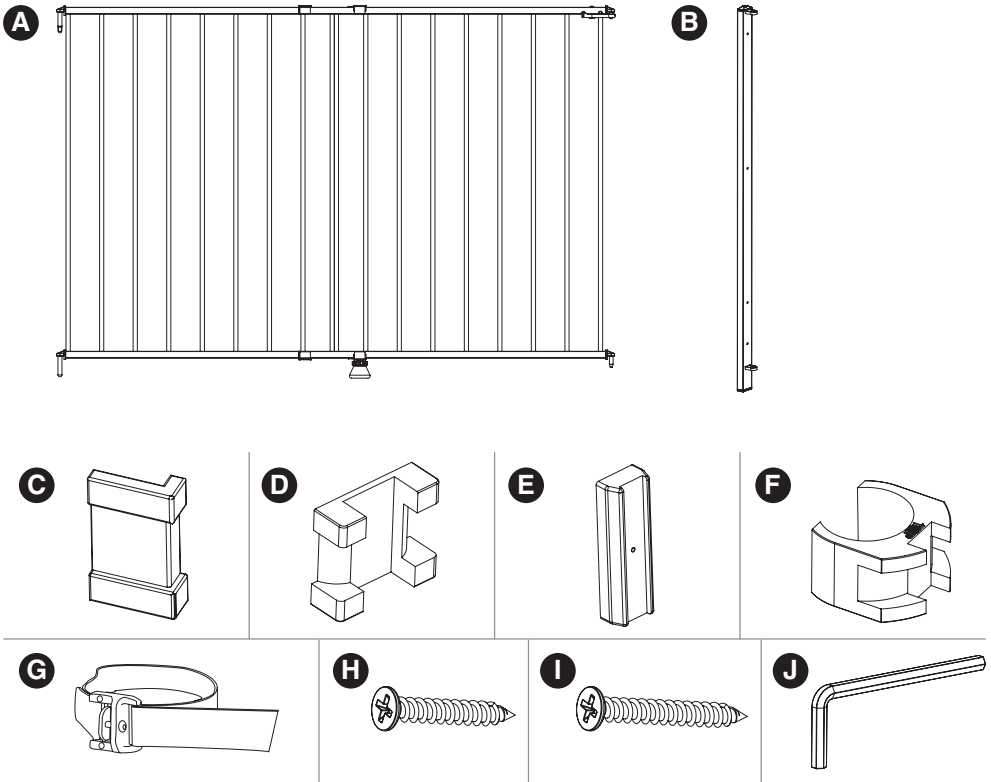
### Manufacturer recommendations:

- For children ages 6 months to 24 months
- When mounting between:
  - **Two walls without any baseboards** the opening width must be between 34" and 54".
  - **Two walls with one baseboard** the opening width must be between 35" and 55".
  - **Two walls with baseboards** the opening width must be between 36.5" and 55.5".
  - **One banister post and one wall without a baseboard** the opening width must be between 34.5" and 54".
  - **One banister post and one wall with a baseboard** the opening width must be between 36" and 55".
  - **Two banister posts** the opening width must be between 35" and 54".

**NOTE:** Depending on the shape, dimensions and mounting components utilized in your doorway or opening, the maximum and minimum length of this gate may increase and/or decrease slightly.

# Before Assembly

---



PLEASE CHECK TO MAKE SURE YOU HAVE THE FOLLOWING PARTS:

- A** Gate Door Assembly
- B** Mounted Level Poles (2)
- C** Banister Corner Protectors (16)
- D** Square Banister Adapters (4)
- E** Plastic Wall Spacers (6)
- F** Round Banister Adapter (1)
- G** Hook and Loop Straps & Attached Buckles (4)
- H** 1.5" Wall Mount Screws (6)
- I** 2.5" Wall Mount Screws (6)
- J** Hex Key (1)

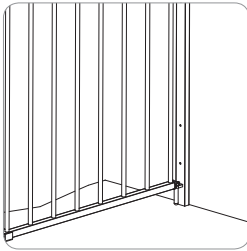
# Installation Options

---

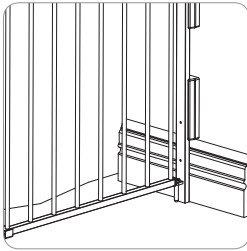
The hardware included will work for the following installation configurations:

- Wall to wall
- Wall to square banister
- Wall to round banister
- Square banister to square banister
- Round banister to square banister

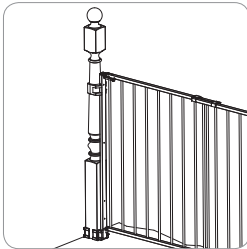
If your installation configuration is not listed above additional installation adapters are available for purchase. Please contact Regalo for assistance.



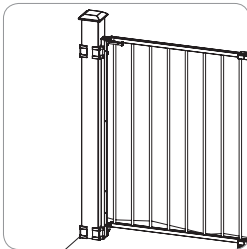
- MOUNTING TO A WALL **WITHOUT** BASEBOARD  
Go to **Option A1**, page 7



- MOUNTING TO A WALL **WITH** BASEBOARD  
Go to **Option A2**, page 8



- MOUNTING TO A **ROUND** BANISTER POST  
Go to **Option B1**, page 10



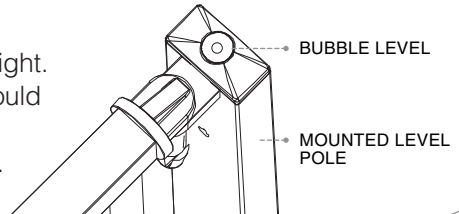
- MOUNTING TO A **SQUARE** BANISTER POST  
Go to **Option B2**, page 11

# Option A1: Mounting to a wall without a baseboard

**NOTE:** When fastening the *mounted level poles* to your wall make sure that you are fastening the screws into a stud in the wall, OR that you use the appropriate wall anchors. Consult a professional if you are unsure about safely installing your *mounted level poles*.

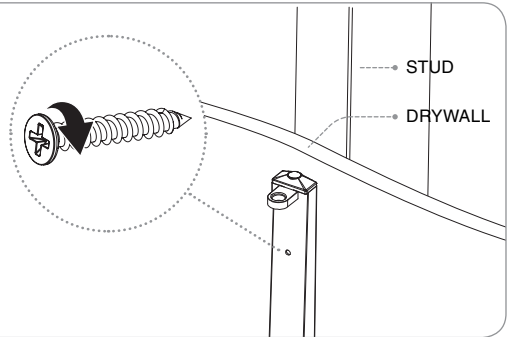
## STEP 1

Place one of the *mounted level poles* up against the wall so that it is level and straight. The bottom of the *mounted level pole* should be resting on the floor. Use the built in *bubble level* to ensure proper placement.



## STEP 2

Use three of the 1.5" wall mount screws to fasten the *mounted level pole* to the wall through three of the pre-drilled holes. If you are fastening your *mounted level pole* to drywall or similar material, ensure you are making contact with a supporting stud behind the drywall.



## STEP 3

Repeat STEPS 1 – 2 if installing the second *mounted level pole* to an opposing wall without a baseboard. If the opposing wall has a baseboard, see page 8. If fastening the second *mounted level pole* to a round banister, see page 10. For a square banister, see page 12.

## STEP 4

Once both *mounted level poles* are securely mounted on both sides of the opening, see page 14.

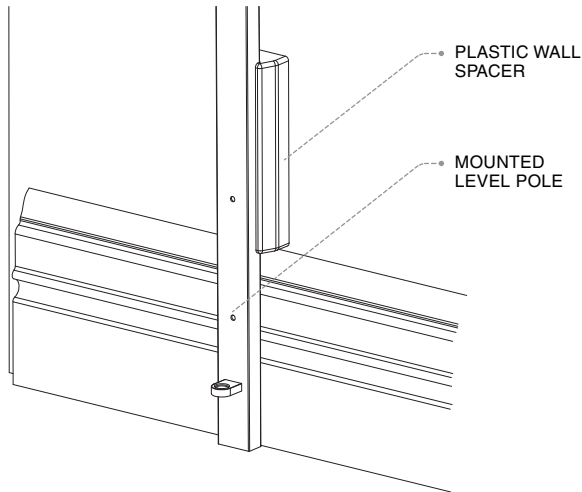
## Option A2: Mounting to a wall with a baseboard

---

**NOTE:** When fastening the *mounted level poles* to your wall make sure that you are fastening the screws into a stud in the wall, OR that you use the appropriate wall anchors. Consult a professional if you are unsure about safely mounting your *mounted level poles*.

### STEP 1

Take one of the *plastic wall spacers* and place it against the wall just above the baseboard where you want the gate to be positioned. Place the *mounted level pole* within the groove of the *plastic wall spacer*, making sure the bottom of the *mounted level pole* is resting on the floor.



### STEP 2

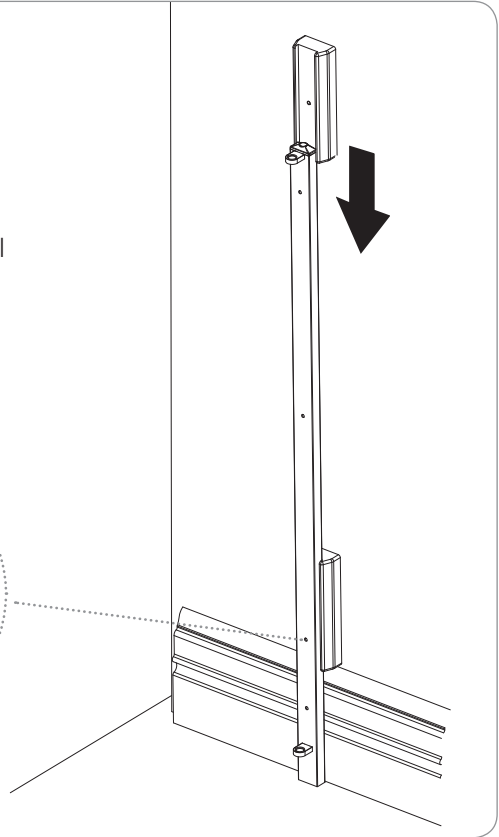
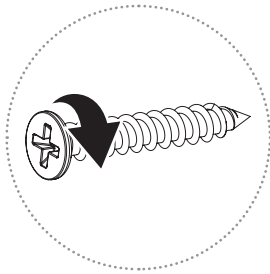
Align the bottom pre-drilled screw hole in the *mounted level pole* with the hole in the *plastic wall spacer*. Use one of the 2.5" *wall mount screws* to fasten the *mounted level pole* and the *plastic wall spacer* to the wall. If you are fastening your *mounted level pole* to drywall or similar material, ensure you are making contact with a supporting stud behind the drywall. Do not fully tighten the *wall mount screw* yet.



### STEP 3

Slide a second *plastic wall spacer* from the top of the *mounted level pole* downward until the middle pre-drilled screw hole aligns with the hole in the second *plastic wall spacer*. Using the built in bubble level, ensure that the *mounted level pole* is straight and level before using a 2.5" *wall mount screw* to fasten both components to the wall.

**Do not fully tighten the wall mount screw yet.**



### STEP 4

Repeat STEP 3, aligning a third *plastic wall spacer* with the top pre-drilled hole in the *mounted level pole*. Now, go back and fully tighten all three *wall mount screws*. Repeat STEPS 1 – 4 if you are installing the second *mounted level pole* to a wall with a baseboard. If the opposing wall has no baseboard, see page 7. If fastening the second *mounted level pole* to a round banister, see Option B1 on page 10 or Option B2 on page 12 for a square banister.

### STEP 5

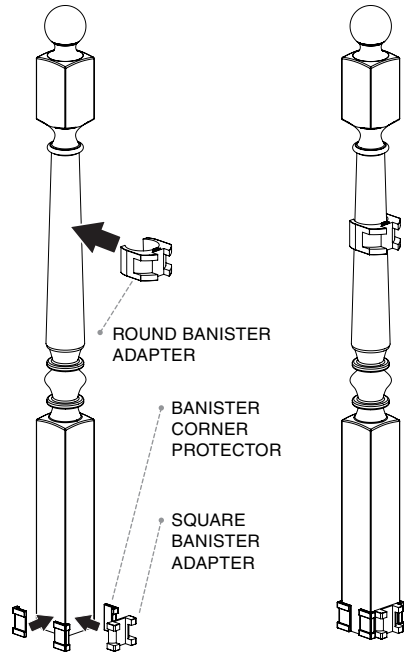
Once both *mounted level poles* are securely mounted on both sides of the opening, see page 14.

# Option B1: Mounting to a round banister post

## STEP 1

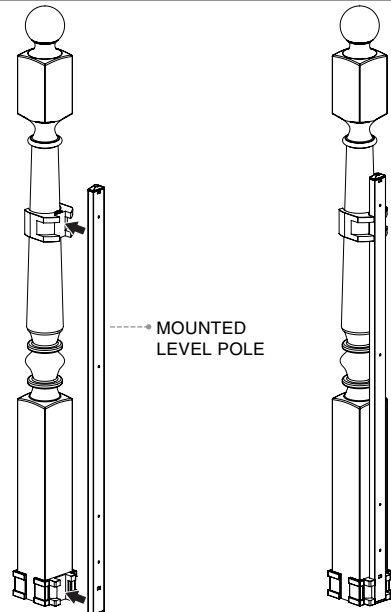
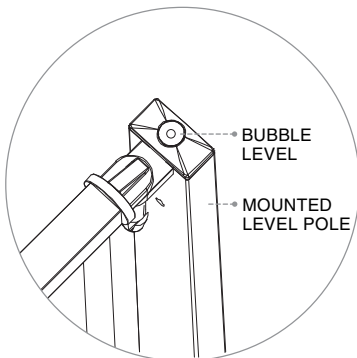
Slide the *round banister adapter* on to the banister, close to the top of the *mounted level pole*. Place a *square banister adapter* and *banister corner protectors* at the bottom of the banister.

**NOTE:** The hardware provided will only allow for installation to one round banister. If your application requires additional *round banister adapters* please contact Regalo customer service.



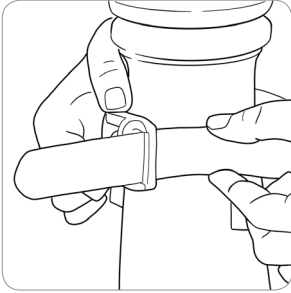
## STEP 2

Place the *mounted level pole* into the appropriate grooves with the bottom resting on the floor. Use the built in *bubble level* to ensure the *mounted level pole* is level and straight.

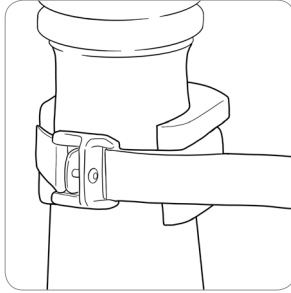


### STEP 3

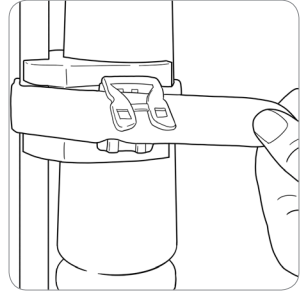
Secure the *hook and loop straps & attached buckles* around the top and bottom *banister adapters*.



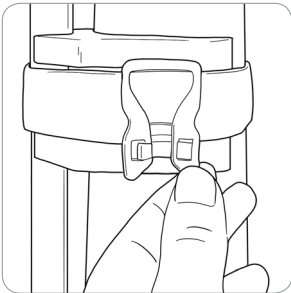
Thread strap around banister post and through the buckle side of the strap.



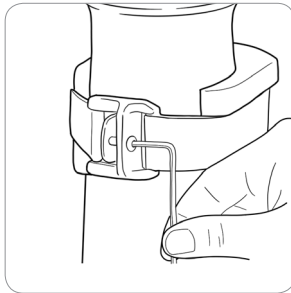
Pull the strap so that it is tight and fold it over to connect the hook side of the strap to the loop side.



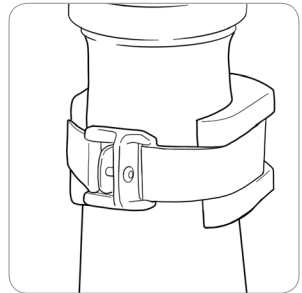
Once correctly positioned, pull the strap tight around the banister post.



On the top banister posts there are locking tabs. Close these to lock the strap position.



Using the hex key provided, insert the key into the screw and rotate it clockwise until the screw is snug. This will tighten the strap and secure the gate to the banister post.



Repeat all steps for other banister post mounts.

**NOTE:** The *buckle* can be rotated to any point around the banister post so that it is out of sight.

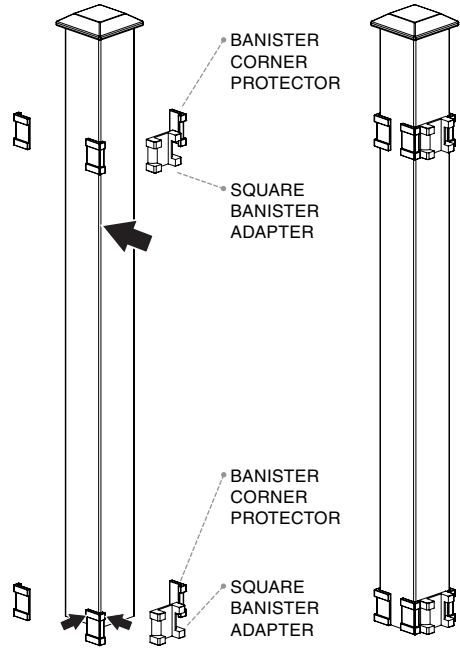
### STEP 4

Once both *mounted level poles* are securely mounted on both sides of the opening, see page 14.

# Option B2: Mounting to a square banister post

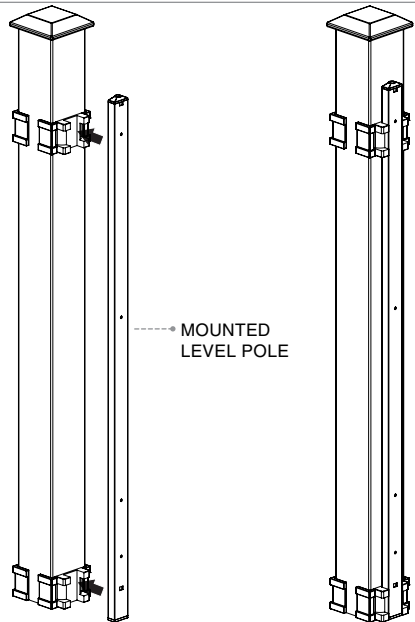
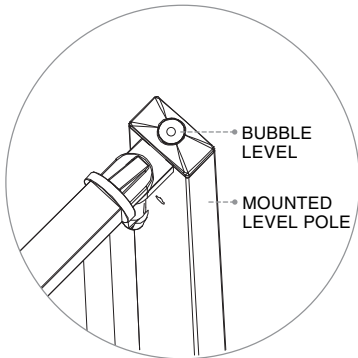
## STEP 1

Place the *square banister adapters* and *banister corner adapters* at the top and bottom of the banister



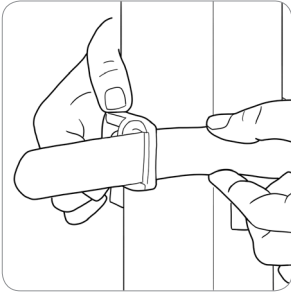
## STEP 2

Place the *mounted level pole* into the appropriate grooves with the bottom resting on the floor. Use the built in *bubble level* to ensure the *mounted level pole* is level and straight.

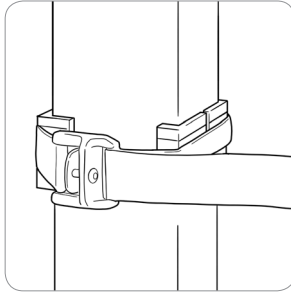


### STEP 3

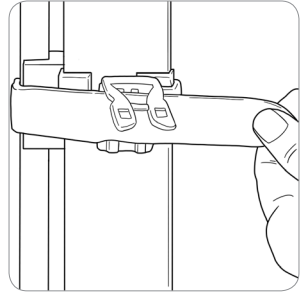
Secure the *hook and loop straps & attached buckles* around the top and bottom *banister adapters*.



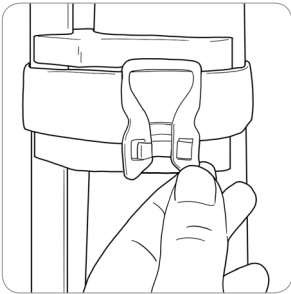
Thread strap around banister post and through the buckle side of the strap.



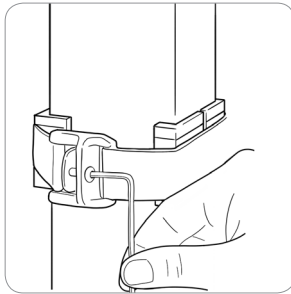
Pull the strap so that it is tight and fold it over to connect the hook side of the strap to the loop side.



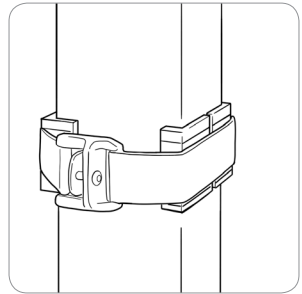
Once correctly positioned, pull the strap tight around the banister post.



On the top banister posts there are locking tabs. Close these to lock the strap position.



Using the hex key provided, insert the key into the screw and rotate it clockwise until the screw is snug. This will tighten the strap and secure the gate to the banister post.



Repeat all steps for other banister post mounts.

**NOTE:** The *buckle* can be rotated to any point around the banister post so that it is out of sight.

### STEP 4

Once both *mounted level poles* are securely mounted on both sides of the opening, see page 14.

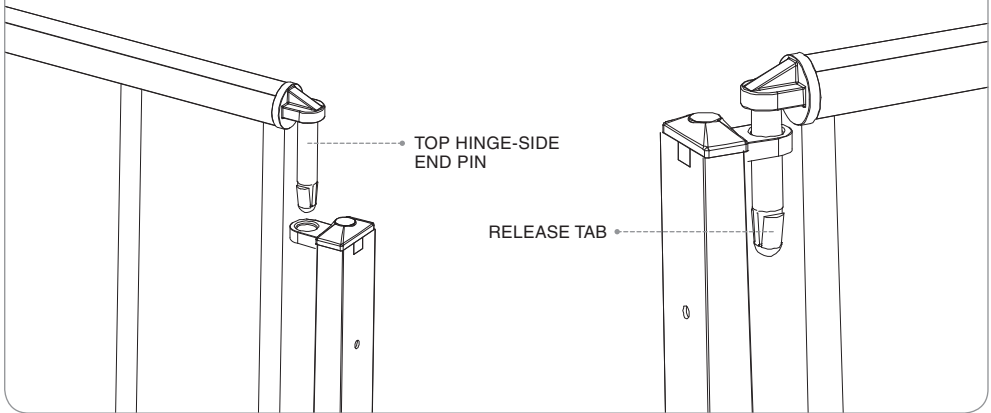
# Attaching Your Gate

---

## STEP 1

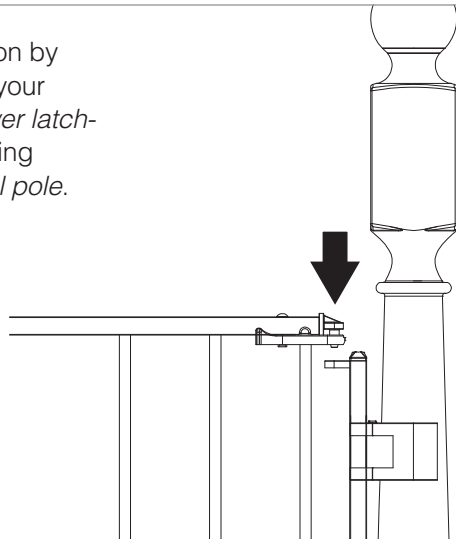
With the *mounted level poles* securely attached in their designated positions, connect the gate by inserting its *top and bottom hinge-side end pins* into the corresponding holes in the *mounted level pole*.

To detach the gate, squeeze the *release tabs* at the bottom of the *top hinge-side end pins*.



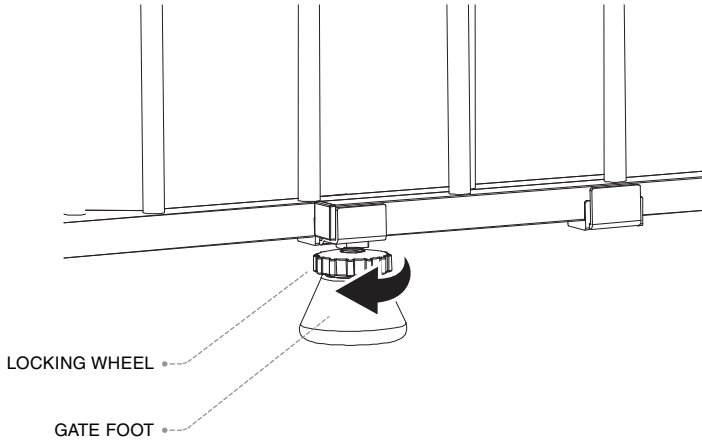
## STEP 2

Slide the gate to the closed position by expanding it across the length of your opening. Insert the *upper and lower latch-side end pins* into the corresponding holes in the second *mounted level pole*.



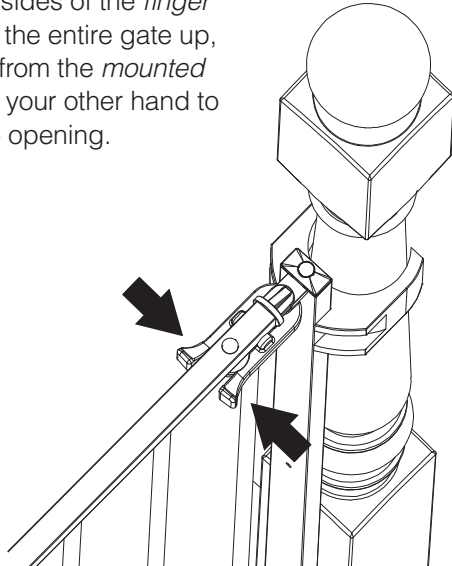
### STEP 3

With your gate in the locked position, adjust the *gate foot* by turning it clockwise until it just touches the floor surface. This will help stabilize the gate in its position. Lock the foot in place by rotating the *locking wheel* until its tight against the foot.



### STEP 4

To open your gate, squeeze both sides of the *finger latch* to release the lock. Then, lift the entire gate up, removing the *latch-side end pins* from the *mounted level bar*. For easier opening, use your other hand to lift up the middle of the gate while opening.



## **CARE AND MAINTENANCE**

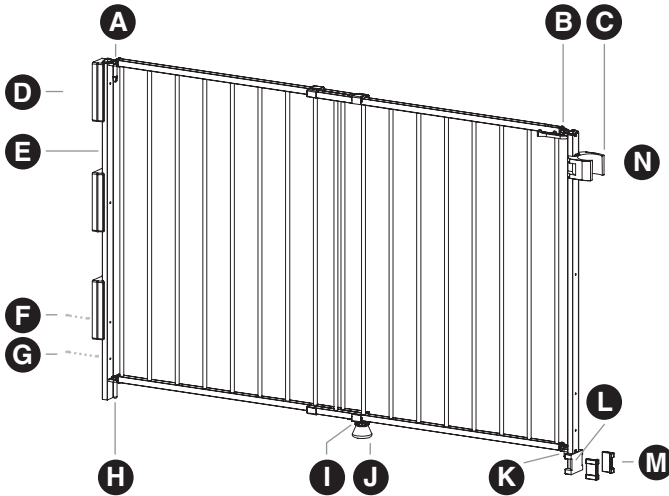
Periodically check the gate for signs of damage, wear, or missing components. Do not use if any part is missing, worn or damaged. Check the gate regularly to ensure all the hardware and mountings are tightened. Do not use abrasive cleaners or bleach. Clean by sponging with warm water and a mild detergent.

## **90 DAYS LIMITED WARRANTY**

If, during the first 90 days after consumer purchase of the item, under reasonable and non-commercial use and conditions of maintenance, it fails while owned by the original purchaser because of the quality of materials or workmanship of finish and assembly, Regalo International, LLC, will replace or repair it at Regalo's option. PROOF OF PURCHASE REQUIRED.



# Replacement Parts



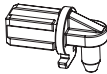
**A** *Top Hinge-Side End Pin*  
White = #13032



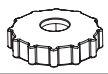
**H** *Bottom Hinge-Side End Pin*  
White = #13025



**B** *Top Latch-Side End Pin*  
White = #13033



**I** *Gate Foot Adjustment Wheel*  
White = #13029



**C** *Round Banister Adapter*  
White = #13035



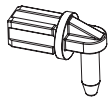
**J** *Gate Foot*  
White = #13028



**D** *Plastic Wall Spacer*  
White = #13031



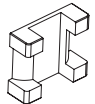
**K** *Bottom Latch-Side End Pin*  
White = #13027



**E** *Height Mounted Level Pole*  
30" White = #13030  
35" White = #13059



**L** *Square Banister Adapter*  
White = #13026



**F** *1.5" Wall Mount Screws*  
#10022



**M** *Banister Corner Protectors*  
White = #13024



**G** *2.5" Wall Mount Screws*  
#10023



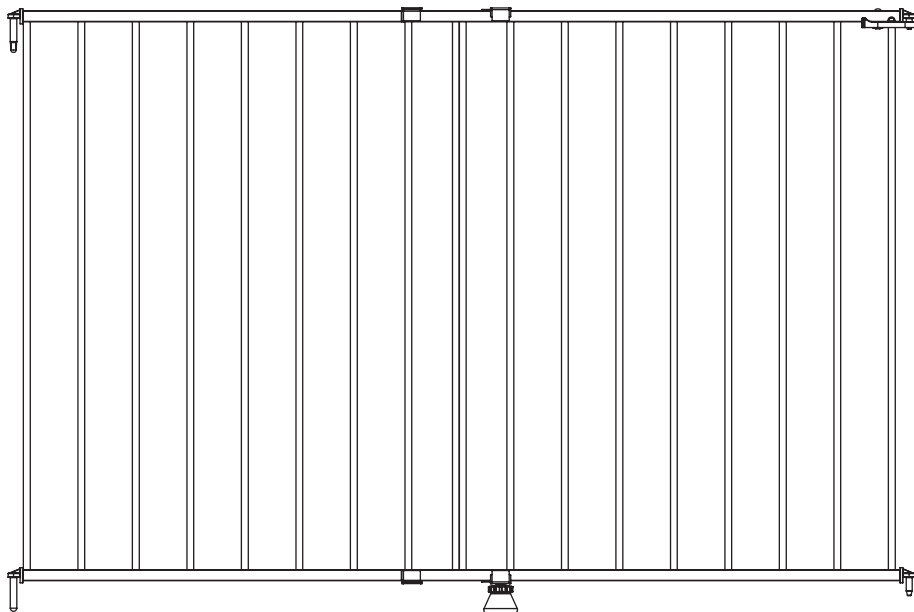
**N** *Hook and Loop Strap & Attached Buckle*  
White = #13034





# Barrière de sécurité pour haut d'escalier

GUIDE D'UTILISATION MODÈLES : 1230, 1230DS,  
1235, 1235DS, 1240, 1240DS



- LIRE TOUTES LES INSTRUCTIONS AVANT DASSEMBLER ET D'UTILISER LA BARRIÈRE.
- CONSERVER CES INSTRUCTIONS POUR UNE UTILISATION ULTÉRIEURE.

🌐 [www.regalo-baby.com](http://www.regalo-baby.com)

✉ Regalo International, LLC.  
3200 Corporate Center Drive, Suite 100 / Burnsville, MN 55306, É.-U.

☎ 866.272.5274 (U.S. only) or 952.435.1080

Fabriqué en Chine

# Avant d'utiliser le produit

---

Lire et suivre attentivement les instructions pour assurer une installation conforme de la barrière et des rallonges. Une mauvaise installation risque d'aboutir à une barrière branlante, ou qui se détache de l'ouverture. Vous êtes responsable de la sécurité de votre enfant. Conserver ces instructions pour consultation.

## **IMPORTANT**

- If hardware mounting to a surface other than drywall or wood, please consult with a professional about installation.



# MISE EN GARDE

- Installer conformément aux instructions du fabricant.
- Pour éviter des blessures graves ou la mort, installez solidement la barrière et utilisez-la conformément aux instructions du fabricant.
- Des enfants sont morts ou ont été grièvement blessés lorsque des barrières n'étaient pas solidement installées. Installez et utilisez TOUJOURS les barrières comme indiqué en utilisant toutes les pièces requises.
- Cessez d'utiliser la barrière lorsque l'enfant est capable de grimper par-dessus la barrière ou de la déloger/l'ouvrir.
- Utilisez uniquement la barrière lorsque le mécanisme du loquet est fermement engagé.
- Installez la barrière à une distance de 6 po (15,24 cm) du haut de l'escalier.
- N'utilisez JAMAIS la barrière pour tenir l'enfant éloigné d'une piscine.
- **MODÈLES 1230/1230DS/1235/1235DS/1240/1240DS:** Barrière destinée à une utilisation avec des enfants âgés de 6 à 24 mois.
- Assurez-vous toujours que la barrière repose sur le sol avant de commencer l'installation.
- Ce produit n'évitera pas nécessairement tous les accidents.
- Ne laissez JAMAIS un enfant sans surveillance.
- Vérifiez la barrière régulièrement pour vous assurer que la quincaillerie et les supports de fixation sont bien en place.
- N'utilisez pas la barrière si des éléments sont manquants ou endommagés.
- La barrière doit être montée par un adulte.

## MODÈLES 1230/1230DS/1240/1240DS

### Recommandations du fabricant :

- Conçue pour les jeunes enfants de 6 à 24 mois
- Lors d'une installation entre :
  - Deux murs sans plinthes, la largeur de l'ouverture doit être comprise entre 71 cm et 107 cm (28 po et 42 po).
  - Deux murs et une plinthe, l'ouverture doit être comprise entre 74 cm et 109 cm (29 po et 43 po).
  - Deux murs avec des plinthes, la largeur de l'ouverture doit être comprise entre 76 cm et 111 cm (30 po et 43,5 po).
  - Un poteau de rampe et un mur sans plinthe, la largeur de l'ouverture doit être comprise entre 71 cm et 107 cm (28 po et 42 po).
  - Un poteau de rampe et un mur avec plinthe, la largeur de l'ouverture doit être comprise entre 74 cm et 108 cm (29 po et 42,5 po).
  - Deux poteaux de rampe, la largeur de l'ouverture doit être comprise entre 72 cm et 107 cm (28,5 po et 42 po).

**REMARQUE :** Selon la forme, les dimensions et les composants de montage utilisés dans votre embrasure de porte ou ouverture, la longueur maximale et minimale de cette barrière peut augmenter ou décroître légèrement.

## MODÈLE 1235/1235DS

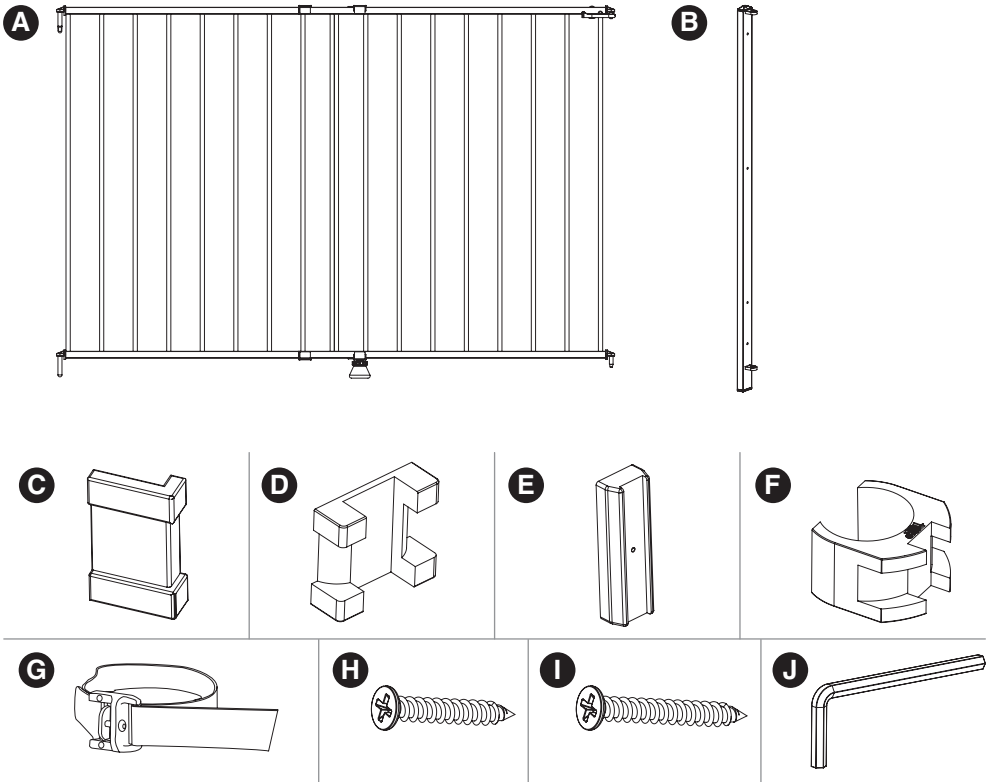
### Recommandations du fabricant :

- Conçue pour les jeunes enfants de 6 à 24 mois
- Lors d'une installation entre :
  - Deux murs sans plinthes, la largeur de l'ouverture doit être comprise entre 86 cm et 137 cm (34 po et 54 po).
  - Deux murs et une plinthe, l'ouverture doit être comprise entre 89 cm et 140 cm (35 po et 55 po).
  - Deux murs avec des plinthes, la largeur de l'ouverture doit être comprise entre 93 cm et 141 cm (36,5 po et 55,5 po).
  - Un poteau de rampe et un mur sans plinthe, la largeur de l'ouverture doit être comprise entre 88 cm et 137 cm (34,5 po et 54 po).
  - Un poteau de rampe et un mur avec plinthe, la largeur de l'ouverture doit être comprise entre 91 cm et 140 cm (36 po et 55 po).
  - Deux poteaux de rampe, la largeur de l'ouverture doit être comprise entre 89 cm et 137 cm (35 po et 54 po).

**REMARQUE :** Selon la forme, les dimensions et les composants de montage utilisés dans votre embrasure de porte ou ouverture, la longueur maximale et minimale de cette barrière peut augmenter ou décroître légèrement.

# Avant l'assemblage

---



VEUILLEZ VÉRIFIER QUE VOUS DISPOSEZ DES ARTICLES SUIVANTS :

- A** Assemblage de la porte de la barrière
- B** Poteaux de mise à niveau montés (2)
- C** Protecteurs de coin de balustre (16)
- D** Adaptateurs de balustres carrées (4)
- E** Cales d'espacement murales en plastique (6)
- F** Adaptateur de balustres rondes (1)
- G** Sangles velcro et boucles attachées (4)
- H** Vis de montage mural de 3,8 cm (1,5 po) (6)
- I** Vis de montage mural de 6,4 cm (2,5 po) (6)
- J** Clé hexagonale (1)

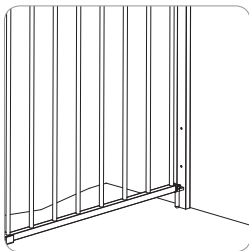
# Options d'installation

---

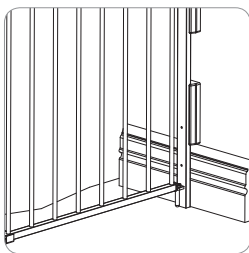
La quincaillerie comprise convient aux configurations d'installation suivantes :

- Mur à mur
- Mur à poteau carré
- Mur à poteau rond
- Poteau carré à poteau carré
- Poteau rond à poteau carré

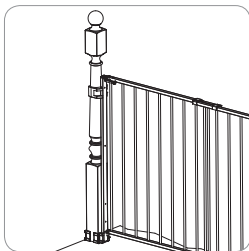
Si votre configuration d'installation n'est pas énumérée ci-dessus, des adaptateurs d'installation peuvent être achetés. Veuillez communiquer avec Regalo pour obtenir de l'aide.



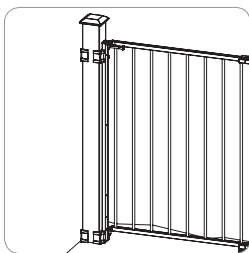
- MONTAGE SUR UN MUR **SANS** PLINTHE  
Allez à **Option A1**, à la page 24



- MONTAGE SUR UN MUR **AVEC** PLINTHE  
Allez à **Option A2**, à la page 25



- MONTAGE SUR UNE BALUSTRE **RONDE**  
Allez à **Option B1**, à la page 27



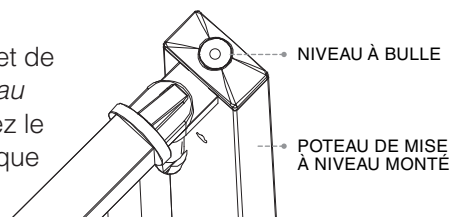
- MONTAGE SUR UNE BALUSTRE **CARRÉE**  
Allez à **Option B2**, à la page 29

# Option A1 : Montage sur un mur sans une plinthe

**REMARQUE :** Lors de la fixation des *poteaux de mise à niveau* montés sur votre mur, assurez-vous que vous serrez les vis dans un montant de cloison OU que vous utilisez les dispositifs d'ancrage au mur appropriés. Consultez un professionnel si vous avez des doutes concernant le montage sécuritaire des *poteaux de mise à niveau*.

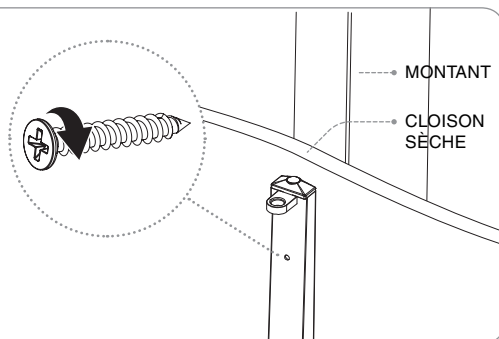
## ÉTAPE 1

Placez un des *poteaux de mise à niveau* montés contre le mur pour qu'il soit droit et de niveau. Le bas du *poteau de mise à niveau* monté doit reposer sur le plancher. Utilisez le *niveau à bulle* intégré pour vous assurer que la mise en place est adéquate.



## ÉTAPE 2

Utilisez les trois *vis murales de 3,8 cm* pour fixer le poteau de mise à niveau monté au mur dans trois des avant-trous. Si vous fixez votre *poteau de mise à niveau monté* sur une cloison sèche ou un matériau similaire, assurez-vous qu'il entre en contact avec un montant derrière la cloison sèche.



## ÉTAPE 3

Répétez les ÉTAPES 1 à 2 si vous installez un deuxième *poteau de mise à niveau monté* sur un mur opposé sans plinthe. Si le mur opposé est garni d'une plinthe, consultez la page 25. Si vous fixez la deuxième cale de mise à niveau sur un poteau rond, consultez la page 27. Pour un poteau carré, consultez la page 29.

## ÉTAPE 4

Une fois les deux *poteaux de mise à niveau montés* solidement fixés des deux côtés de l'ouverture, passez à la page 31.



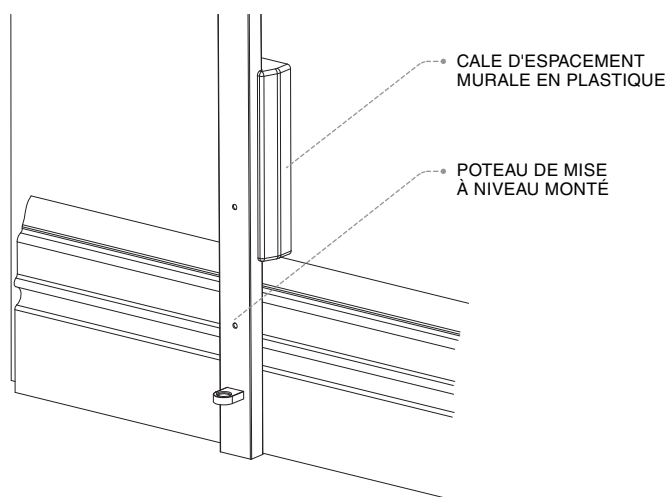
## Option A2 : Montage sur un mur avec plinthe

---

**REMARQUE :** Lors de la fixation des *poteaux de mise à niveau* montés sur votre mur, assurez-vous que vous serrez les vis dans un montant de cloison OU que vous utilisez les dispositifs d'ancrage au mur appropriés. Consultez un professionnel si vous avez des doutes concernant le montage sécuritaire des *poteaux de mise à niveau*.

### ÉTAPE 1

Prenez une *cale d'espacement murale en plastique* et placez-la contre le mur juste au-dessus de la plinthe à l'endroit où vous voulez poser la barrière. Placez le *poteau de mise à niveau monté* dans la rainure de la *cale d'espacement murale en plastique* en vous assurant que le bas du *poteau de mise à niveau monté* repose sur le plancher.

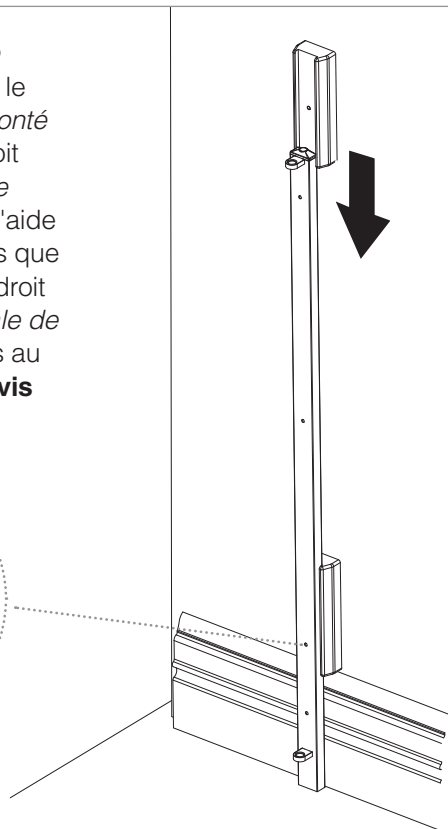
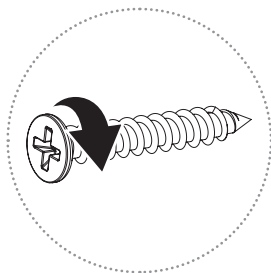


### ÉTAPE 2

Alignez les avant-trous pour les vis du bas dans le *poteau de mise à niveau monté* dans le trou avec la *cale d'espacement en plastique*. Utilisez une des *vis murales de 6,4 cm* pour fixer le *poteau de mise à niveau monté* et la *cale d'espacement en plastique* au mur. Si vous fixez votre *poteau de mise à niveau monté* sur une cloison sèche ou un matériau similaire, assurez-vous qu'il entre en contact avec un montant derrière la cloison sèche. Ne serrez pas complètement la *vis murale* à cette étape.

### ÉTAPE 3

Glissez vers le bas une deuxième *cale d'espacement murale en plastique* sur le dessus du *poteau de mise à niveau monté* jusqu'à ce que l'avant-trou du milieu soit aligné avec le trou de la deuxième *cale d'espacement murale en plastique*. À l'aide du niveau à bulle intégré, assurez-vous que le *poteau de mise à niveau monté* est droit et au niveau avant d'utiliser la *vis murale de 6,4 cm* pour fixer les deux composants au mur. **Ne serrez pas complètement la vis murale à cette étape.**



### ÉTAPE 4

Répétez l'ÉTAPE 3, en alignant une troisième *cale d'espacement murale en plastique* avec l'avant-trou du dessus du *poteau de mise à niveau monté*. Revenez maintenant en arrière et serrez fermement les trois *vis murales*. Répétez les ÉTAPES 1 à 4 si vous installez le deuxième *poteau de mise à niveau monté* sur un mur garni d'une plinthe. Si le mur opposé n'est pas garni d'une plinthe, consultez la page 24. Si vous fixez la deuxième *cale de mise à niveau* sur un poteau rond, consultez la page 27. Pour un poteau carré, consultez la page 29.

### ÉTAPE 5

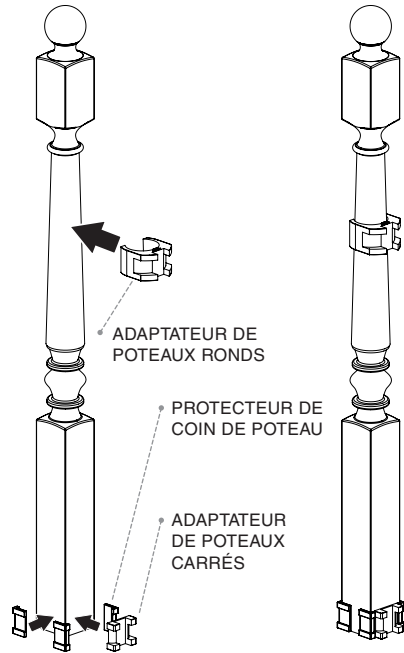
Une fois les deux *poteaux de mise à niveau montés* solidement fixés des deux côtés de l'ouverture, passez à la page 31.

# Option B1 : Installation sur un poteau rond

## ÉTAPE 1

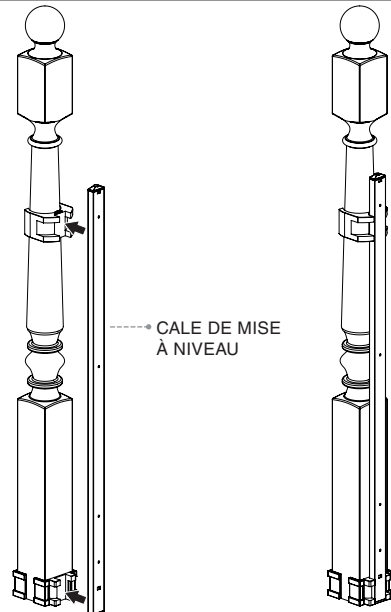
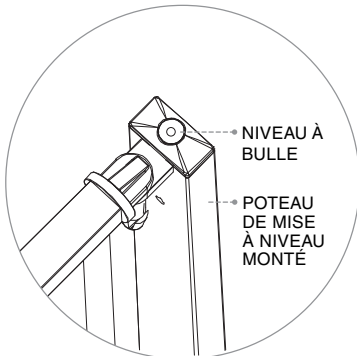
Glissez l'adaptateur de poteau rond sur le poteau, près du haut de la cale de mise à niveau. Placez un adaptateur de poteau carré et des protecteurs de coins au bas du poteau.

**Remarque :** La quincaillerie fournie permettra seulement l'installation sur un poteau rond. Si votre application requiert l'utilisation d'adaptateurs de poteaux ronds supplémentaires, veuillez communiquer avec le service à la clientèle de Regalo.



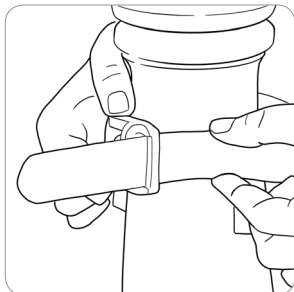
## ÉTAPE 2

Placez le *poteau de mise à niveau monté* dans les rainures appropriées avec la partie du bas sur le plancher. Utilisez le *niveau à bulle* intégré pour vous assurer que le *poteau de mise à niveau monté* est droit et au niveau.

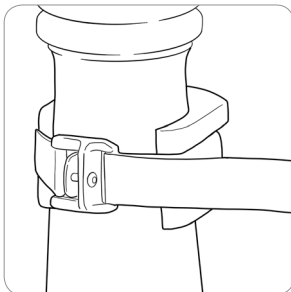


### ÉTAPE 3

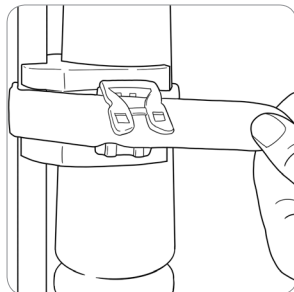
Attachez les sangles velcro et les *boucles attachées* autour des *adaptateurs de balustre du haut et du bas*.



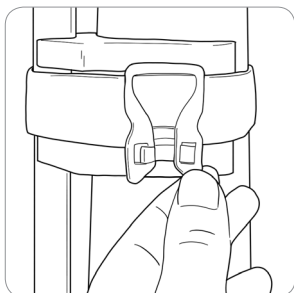
Enroulez la sangle autour du poteau de rampe et enfillez-la dans le côté de la boucle de la sangle.



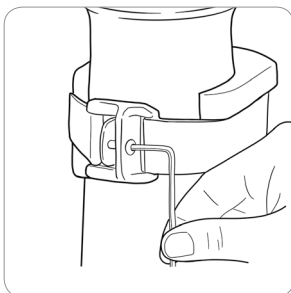
Tirez la sangle pour la serrer et pliez-la pour joindre le côté crochets au côté velours.



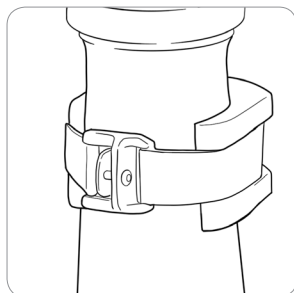
Une fois correctement positionnée, tirez sur la sangle pour la serrer autour du poteau de la rampe.



Les poteaux de rampes supérieurs comportent des pattes de blocage. Fermez-les pour bloquer la sangle en place.



À l'aide de la clé hexagonale fournie, serrez fermement la vis en la tournant dans le sens des aiguilles d'une montre. Cela permettra de tendre la sangle et de fixer la barrière sur le poteau de la rampe.



Répétez toutes ces étapes pour l'autre poteau.

**REMARQUE :** La *boucle* peut être tournée en n'importe quel point autour du poteau de la rampe afin de la placer hors de vue.

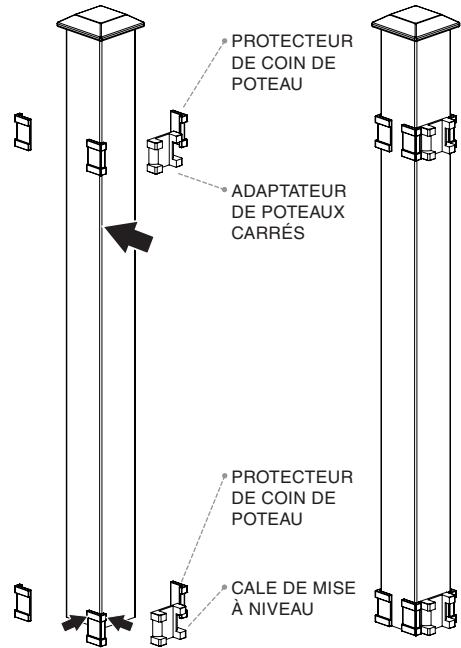
### ÉTAPE 4

Une fois les deux *poteaux de mise à niveau* montés solidement fixés des deux côtés de l'ouverture, passez à la page 31.

# Option B2 : Installation sur un poteau carré

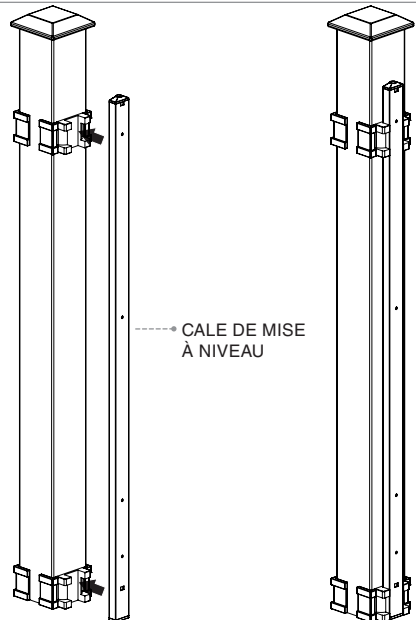
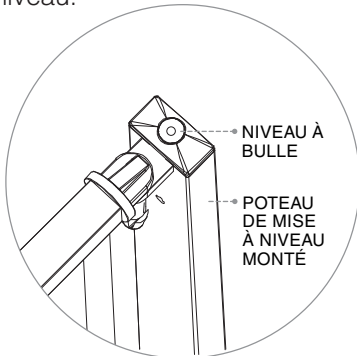
## ÉTAPE 1

Placez les adaptateurs de poteaux carrés et les adaptateurs de coins de poteaux au haut et au bas du poteau.



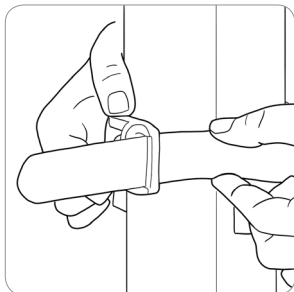
## ÉTAPE 2

Placez le *poteau de mise à niveau monté* dans les rainures appropriées avec la partie du bas sur le plancher. Utilisez le *niveau à bulle* intégré pour vous assurer que le *poteau de mise à niveau monté* est droit et au niveau.

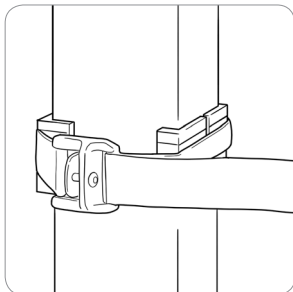


### ÉTAPE 3

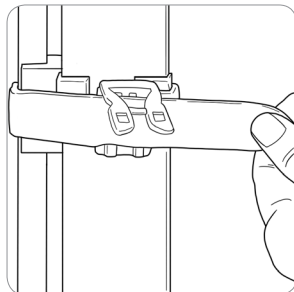
Attachez les sangles velcro et les *boucles attachées* autour des *adaptateurs de balustre du haut et du bas*.



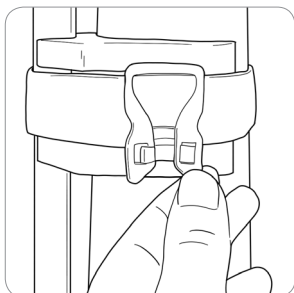
Enroulez la sangle autour du poteau de rampe et enfillez-la dans le côté de la boucle de la sangle.



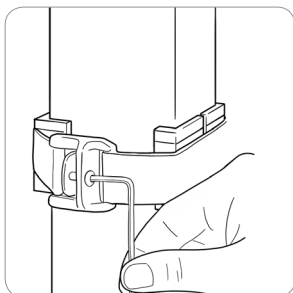
Tirez la sangle pour la serrer et pliez-la pour joindre le côté crochets au côté velours.



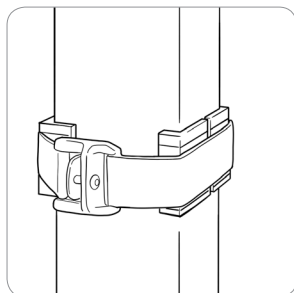
Une fois correctement positionnée, tirez sur la sangle pour la serrer autour du poteau de la rampe.



Les poteaux de rampes supérieurs comportent des pattes de blocage. Fermez-les pour bloquer la sangle en place.



À l'aide de la clé hexagonale fournie, serrez fermement la vis en la tournant dans le sens des aiguilles d'une montre. Cela permettra de tendre la sangle et de fixer la barrière sur le poteau de la rampe.



Répétez toutes ces étapes pour l'autre poteau.

**REMARQUE :** La *boucle* peut être tournée en n'importe quel point autour du poteau de la rampe afin de la placer hors de vue.

### ÉTAPE 4

Une fois les deux *poteaux de mise à niveau montés* solidement fixés des deux côtés de l'ouverture, passez à la page 31.

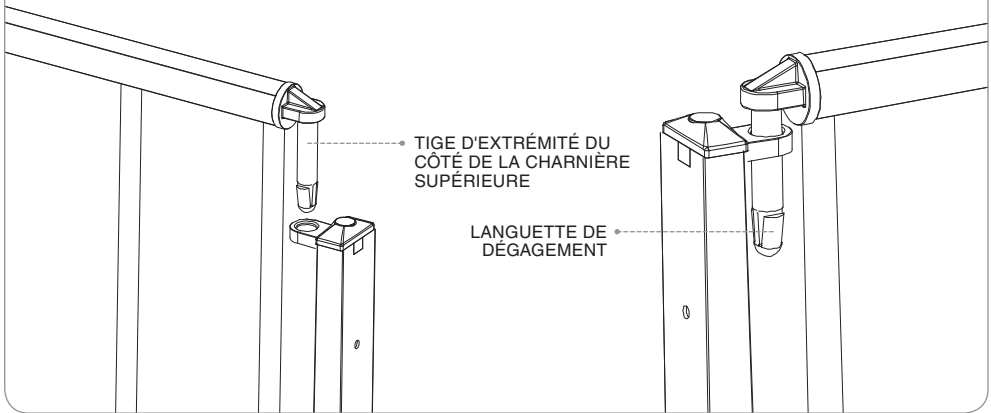
# Fixation de la barrière

---

## ÉTAPE 1

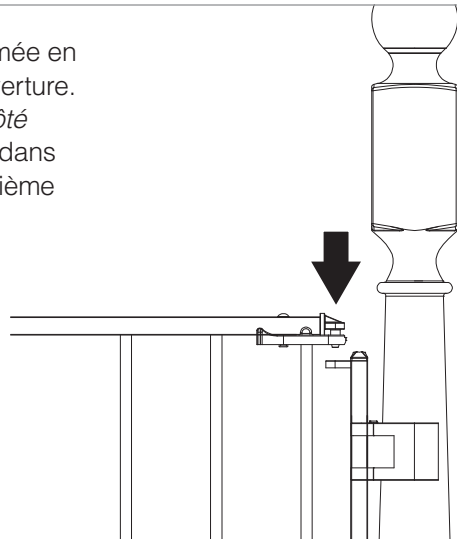
Une fois les *poteaux de mise à niveau* montés fermement assujettis aux emplacements désignés, fixez la barrière en insérant les *tiges d'extrémité* du côté des *charnières inférieure et supérieure* dans les trous correspondants du *poteau de mise à niveau* monté.

Pour libérer la barrière, pincez les *languettes de dégagement* au bas des *tiges d'extrémité* du côté de la *charnière supérieure*.



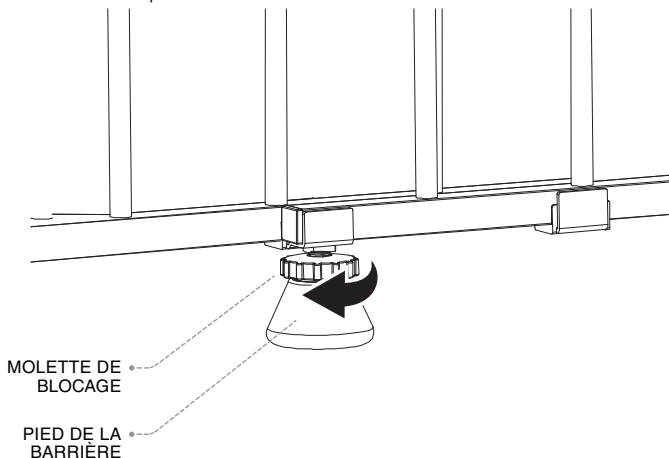
## ÉTAPE 2

Glissez la barrière en position fermée en l'étendant de part en part de l'ouverture. Insérez les *tiges d'extrémité* du côté des *verrous inférieur et supérieur* dans les trous correspondants du deuxième *poteau de mise à niveau* monté.



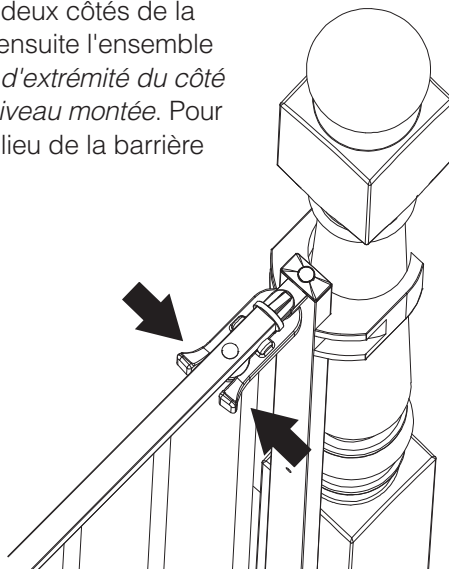
### ÉTAPE 3

La barrière étant verrouillée dans l'ouverture, ajustez le  *pied de la barrière*  en le tournant dans le sens des aiguilles d'une montre jusqu'à ce qu'il entre en contact avec le plancher. Cela stabilisera la barrière en place. Bloquez le pied en place en tournant la  *molette de blocage*  jusqu'à ce qu'elle repose fermement contre le pied.



### ÉTAPE 4

Pour ouvrir la barrière, pincez les deux côtés de la  *clenche*  pour la libérer. Soulevez ensuite l'ensemble de la barrière en retirant les  *tiges d'extrémité du côté du verrou de la barre de mise à niveau montée* . Pour faciliter l'ouverture, soulevez le milieu de la barrière de l'autre main tout en l'ouvrant.





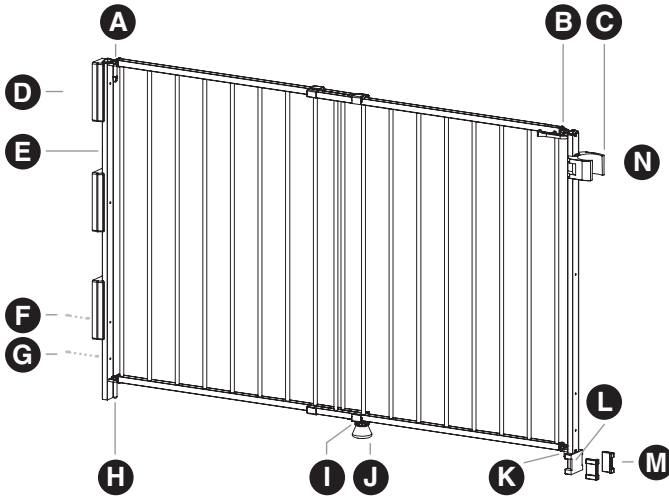
## **SOIN ET ENTRETIEN**

Vérifiez régulièrement la barrière (dommage, usure, pièce manquante). Cessez l'utilisation si une pièce est manquante, usée ou endommagée. Vérifiez régulièrement le serrage des pièces de montage et de fixation. Pour nettoyer la barrière, n'utilisez pas d'abrasifs ni d'eau de Javel. Nettoyez avec une éponge légèrement imbibée d'eau chaude et un détergent doux.

## **GARANTIE LIMITÉE DE 90 JOURS**

Si, au cours des 90 jours suivant l'achat de cet article, dans des circonstances raisonnables et dans des conditions d'utilisation et d'entretien non commerciales, l'article, qui appartient encore à l'acheteur original, s'avère défectueux en ce qui a trait à la qualité des matériaux ou aux travaux de finition et d'assemblage, Regalo International LLC le remplacera ou le réparera à son choix. PREUVE D'ACHAT REQUISE.

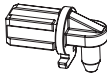
# Pièces de rechange



**A** *Tige d'extrémité du côté de la charnière supérieure*  
Blanche = n° 13032



**B** *Tige d'extrémité du côté du verrou supérieur*  
Blanche = n° 13033



**C** *Adaptateur de balustres rondes*  
Blanc = n° 13035



**D** *Cale d'espacement en plastique*  
Blanche = n° 13031



**E** *Poteau de mise à niveau monté en hauteur*  
Blanc 76,2 cm (30 po) = n° 13030  
Blanc 88,9 cm (35 po) = n° 13059



**F** *Vis murales de 3,8 cm (1,5 po)*  
n° 10022



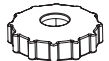
**G** *Vis murales de 6,4 cm (2,5 po)*  
n° 10023



**H** *Tige d'extrémité côté de la charnière inférieure*  
Blanche = n° 13025



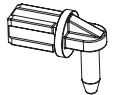
**I** *Molette d'ajustement du pied de la barrière*  
Blanche = n° 13029



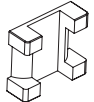
**J** *Pied de la barrière*  
Blanc = n° 13028



**K** *Tige d'extrémité du côté du verrou inférieur*  
Blanche = n° 13027



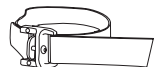
**L** *Adaptateur de balustres carrées*  
Blanc = n° 13026



**M** *Protecteurs de coin de balustre*  
Blancs = n° 13024



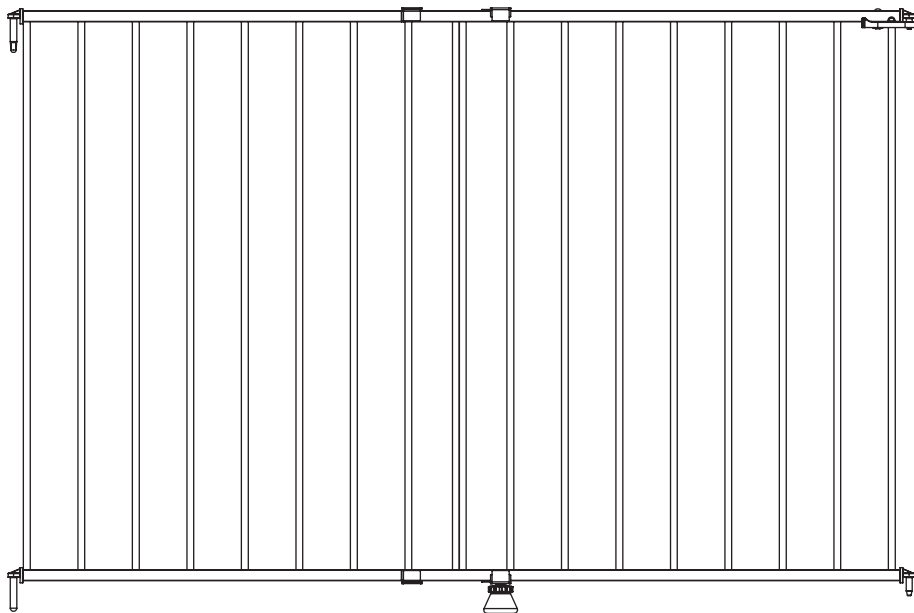
**N** *Sangle velcro et boucle attachée*  
Blanche = n° 13034





# Reja de seguridad para la parte superior de las escaleras


MANUAL DEL PROPIETARIO MODELOS: 1230,  
1230DS, 1235, 1235DS, 1240, 1240DS



- LEA TODAS LAS INSTRUCCIONES ANTES DE MONTAR Y USAR LA REJA.
- GUÁRDELAS PARA UTILIZARLAS COMO REFERENCIA.

 [www.regalo-baby.com](http://www.regalo-baby.com)

 Regalo International, LLC.  
3200 Corporate Center Drive, Suite 100 / Burnsville, MN 55306, EE. UU.

 866.272.5274 (U.S. only) or 952.435.1080

Hecha en China

# Antes de usar el producto

---

Lea y siga todas las instrucciones cuidadosamente para garantizar que la reja y las extensiones estén correctamente instaladas. La instalación incorrecta puede hacer que la reja quede inestable o se desenganche del hueco de la puerta. La seguridad de su niño es su responsabilidad. Conserve estas instrucciones para su referencia.

## **IMPORTANTE**

- Si los herrajes se montan en una superficie que no sea tablarroca o madera, consulte con un profesional acerca de la instalación.



# ADVERTENCIA

- Instale de acuerdo con las instrucciones del fabricante.
- Para evitar lesiones graves, o incluso la muerte, coloque la puerta o cerca de manera fija de acuerdo a las instrucciones del fabricante.
- Han fallecido niños, o se han lesionado gravemente, si la puerta no está instalada de manera segura. SIEMPRE instale y utilice las puertas de acuerdo a las direcciones, y utilice todas las partes necesarias.
- DEJE de usar cuando el niño pueda escalar sobre la puerta, o cuando pueda desprenderla.
- Solo utilice cuando el mecanismo de cierre/traba esté bien activado.
- Instale a 6 pulgadas de distancia de la parte superior de las escaleras.
- NUNCA utilice para mantener a los niños alejados de la piscina.
- **MODELOS 1230/1230DS/1235/1235DS/1240/1240DS:** Diseñado para utilizar con niños entre 6 a 24 meses.
- Siempre asegúrese de que la puerta descanse directamente sobre el piso antes de comenzar la instalación.
- Este producto no necesariamente evitará todos los accidentes.
- Nunca deje a los niños sin supervisión.
- Revise la puerta con frecuencia y asegúrese que los soportes y herrajes estén bien ajustados.
- No utilice si faltan componentes, o si estos están dañados.
- Se requiere instalación por adultos.

## MODELOS 1230/1230DS/1240/1240DS

### Recomendaciones del fabricante:

- Para niños de 6 hasta 24 meses
- Al montarla entre:
  - Dos paredes sin zócalos el ancho de la abertura debe estar entre 28" y 42" (71 y 107 cm).
  - Dos paredes con un solo zócalo el ancho de la abertura debe estar entre 29" y 43" (74 y 109 cm).
  - Dos paredes con zócalos el ancho de la abertura debe estar entre 30" y 43.5" (76 y 111 cm).
  - Un poste de barandilla y una pared sin zócalo el ancho de la abertura debe estar entre 28" y 42" (71 y 107 cm).
  - Un poste de barandilla y una pared con un zócalo el ancho de la abertura debe estar entre 29" y 42.5" (74 y 108 cm).
  - Dos postes de barandilla el ancho de la abertura debe estar entre 28.5" y 42" (72 y 107 cm).

**NOTA:** La longitud mínima y máxima de esta reja puede incrementar o disminuir ligeramente, según el tamaño, las dimensiones y los componentes de montaje utilizados en la entrada o hueco de la puerta.

## MODELO 1235/1235DS

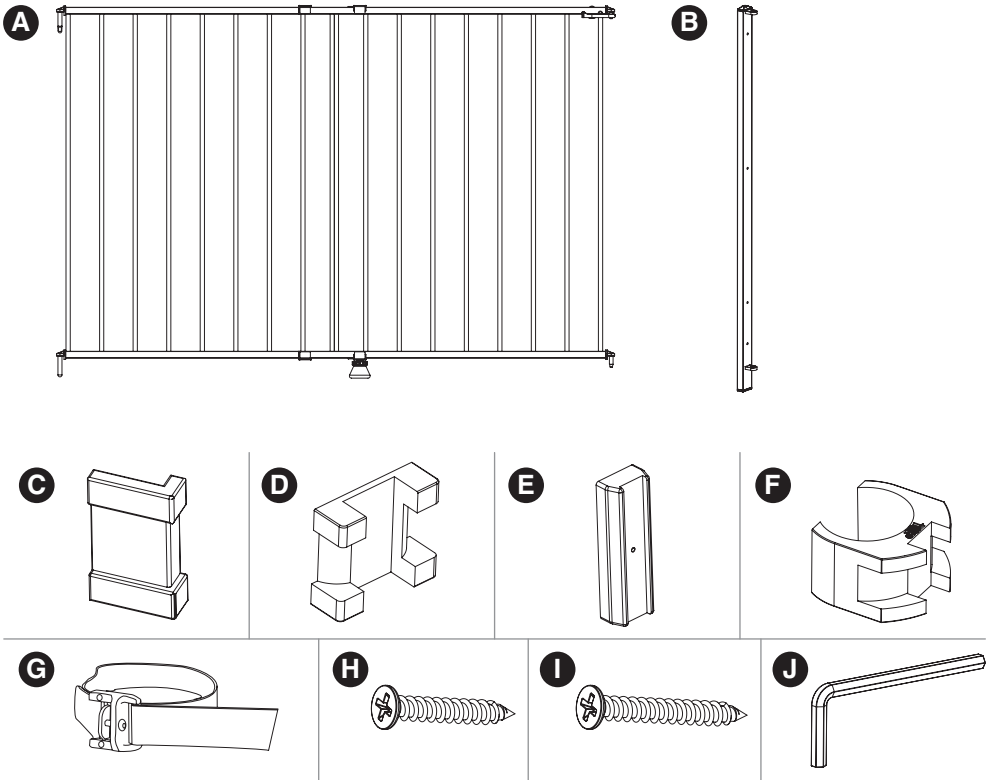
### Recomendaciones del fabricante:

- Para niños de 6 hasta 24 meses
- Al montarla entre:
  - Dos paredes sin zócalos el ancho de la abertura debe estar entre 34" y 54" (86 y 137 cm).
  - Dos paredes con un solo zócalo el ancho de la abertura debe estar entre 35" y 55" (89 y 140 cm).
  - Dos paredes con zócalos el ancho de la abertura debe estar entre 36.5" y 55.5" (93 y 141 cm).
  - Un poste de barandilla y una pared sin zócalo el ancho de la abertura debe estar entre 34.5" y 54" (88 y 137 cm).
  - Un poste de barandilla y una pared con un zócalo el ancho de la abertura debe estar entre 36" y 55" (91 y 140 cm).
  - Dos postes de barandilla el ancho de la abertura debe estar entre 35" y 54" (89 y 137 cm).

**NOTA:** La longitud mínima y máxima de esta reja puede incrementar o disminuir ligeramente, según el tamaño, las dimensiones y los componentes de montaje utilizados en la entrada o hueco de la puerta.

# Antes del montaje

---



## CERCIÓRESE DE QUE ESTÉN LAS PIEZAS A CONTINUACIÓN:

- A** Conjunto de la puerta de la reja
- B** Postes de nivel montados (2)
- C** Protectores de esquina de las barandillas (16)
- D** Adaptadores para barandillas cuadradas (4)
- E** Espaciadores plásticos de pared (6)
- F** Adaptador para barandilla redonda (1)
- G** Correas de velcro y hebillas acopladas (4)
- H** Tornillos para montaje en pared de 1.5 pulg. (3.8 cm) (6)
- I** Tornillos para montaje en pared de 2.5 pulg. (6.3 cm) (6)
- J** Llave hexagonal (6)

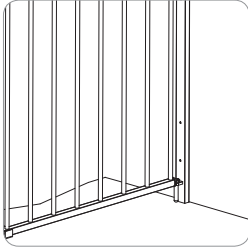
# Opciones de instalación

---

Los herrajes incluidos son aptos para las siguientes configuraciones de instalación:

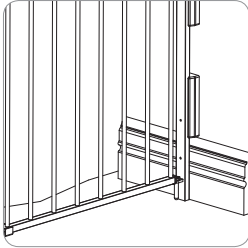
- Pared a pared
- Pared a barandilla redonda
- Barandilla redonda a barandilla cuadrada
- Pared a barandilla cuadrada
- Barandilla cuadrada a barandilla cuadrada

Si su configuración de instalación no aparece indicada arriba, tenemos a su disposición adaptadores de instalación adicionales para que los adquiera. Comuníquese con Regalo para obtener asistencia.



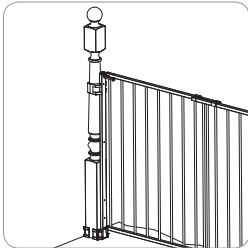
- MONTAJE EN UNA PARED **SIN ZÓCALO**

Vaya a la **Opción A1**, en la página 41



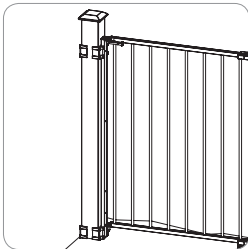
- MONTAJE EN UNA PARED **CON ZÓCALO**

Vaya a la **Opción A2**, en la página 42



- MONTAJE EN UN POSTE DE BARANDILLA **REDONDO**

Vaya a la **Opción B1**, en la página 44



- MONTAJE EN UN POSTE DE BARANDILLA **CUADRADO**

Vaya a la **Opción B2**, en la página 46

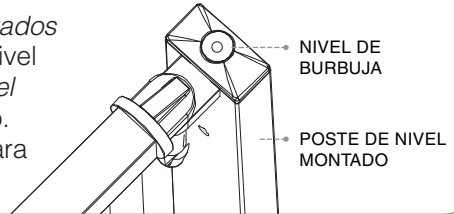


# Opción A1: Montaje en una pared sin zócalo

**NOTA:** Cuando fije los *postes de nivel montados* a la pared, asegúrese de fijar los tornillos a un puntal, O BIEN, asegúrese de utilizar los anclajes de pared adecuados. Consulte con un profesional si no está seguro sobre cómo instalar de forma segura los *postes de nivel montados*.

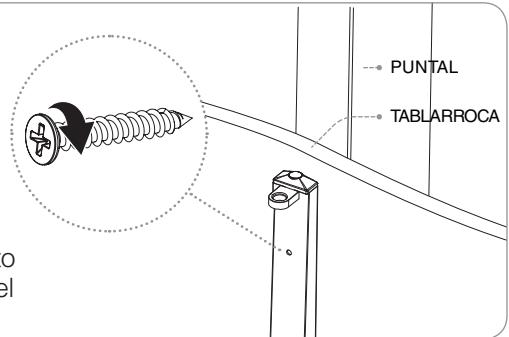
## PASO 1

Coloque uno de los *postes de nivel montados* contra la pared, de forma que quede a nivel y recto. La parte inferior del *poste de nivel montado* debe estar apoyada en el suelo. Utilice el nivel de burbuja incorporado para garantizar una colocación adecuada.



## PASO 2

Utilice tres de los tornillos de montaje para pared de 1.5 pulg. para sujetar el *poste de nivel montado* a la pared, utilizando tres de los orificios previamente perforados. Si desea sujetar su *poste de nivel montado* en una pared de tablarroca u otro material similar, asegúrese de que haga contacto con un puntal de apoyo detrás del panel de tablarroca.



## PASO 3

Repita los pasos 1 - 2 en caso de instalar el segundo *poste de nivel montado* en una pared opuesta sin zócalo. Si la pared opuesta tiene zócalo, consulte la página 42. Si desea fijar el segundo poste de nivel montado a una barandilla redonda, consulte la página 44. Para una barandilla cuadrada, consulte la página 46.

## PASO 4

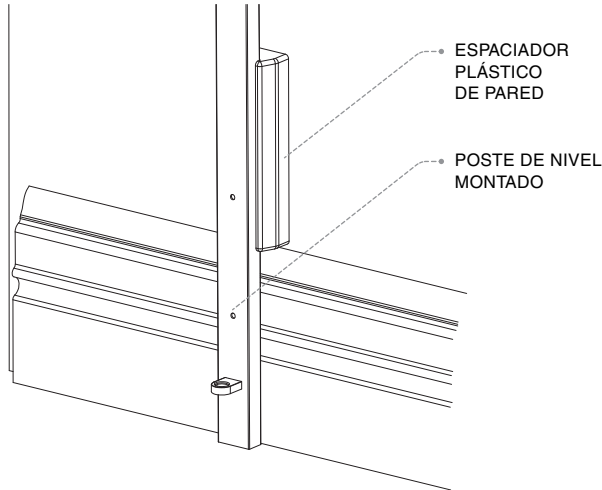
Una vez que ambos *postes de nivel montado* estén correctamente montados en ambos lados de la entrada o hueco de la puerta, consulte la página 48.

# Opción A2: Montaje en una pared con zócalo

**NOTA:** Cuando fije los *postes de nivel montados* a la pared, asegúrese de fijar los tornillos a un puntal, O BIEN, asegúrese de utilizar los anclajes de pared adecuados. Consulte con un profesional si no está seguro sobre cómo instalar de forma segura los *postes de nivel montados*.

## PASO 1

Tome uno de los *espaciador plástico de pared* y colóquelo contra la pared, justo encima del zócalo, en el lugar en que desea colocar la reja. Coloque el *poste de nivel montado* dentro de la ranura del espaciador plástico de pared, asegurándose de que la parte inferior del *poste de nivel montado* esté apoyada en el suelo.

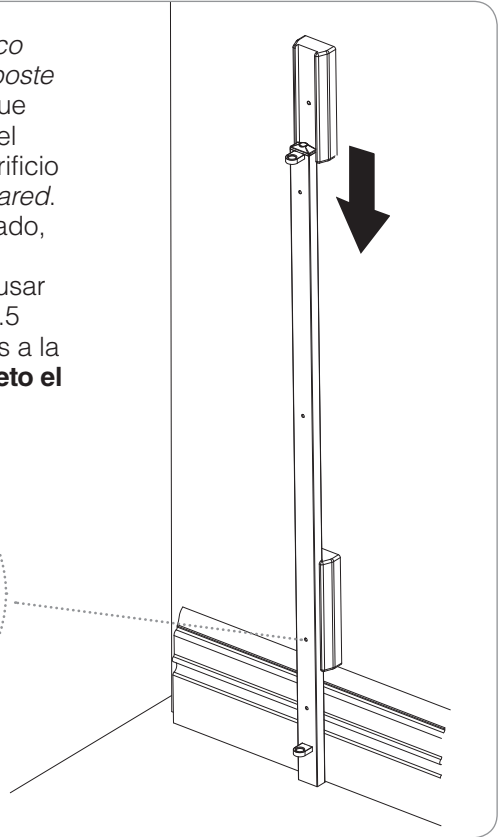
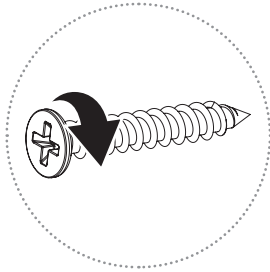


## PASO 2

Alinee el orificio previamente perforado para el tornillo inferior del *poste de nivel montado*, con el orificio del *espaciador plástico de pared*. Utilice uno de los tres *tornillos de montaje para pared* de 2.5 pulg. para sujetar a la pared el *poste de nivel montado* y el *espaciador plástico de pared*. Si desea sujetar su *poste de nivel montado* en una pared de tablarroca u otro material similar, asegúrese de que haga contacto con un puntal de apoyo detrás del panel de tablarroca. Todavía no apriete por completo el *tornillo de montaje para pared*.

### PASO 3

Deslice un segundo *espaciador plástico de pared* desde la parte superior del *poste de nivel montado* hacia abajo, hasta que el orificio previamente perforado para el tornillo medio quede alineado con el orificio del segundo *espaciador plástico de pared*. Utilizando el nivel de burbuja incorporado, asegúrese de que el *poste de nivel montado* esté recto y a nivel antes de usar un *tornillo de montaje para pared* de 2.5 pulg. para sujetar ambos componentes a la pared. **Todavía no apriete por completo el tornillo de montaje para pared.**



### PASO 4

Repita el PASO 3, alineando un tercer *espaciador plástico de pared* con el orificio previamente perforado del *poste de nivel montado*. Ahora apriete completamente todos los *tornillos de montaje para pared*. Repita los pasos 1 - 4 en caso de instalar el segundo *poste de nivel montado* en una pared con zócalo. Si la pared opuesta no tiene zócalo, consulte la página 41. Si desea fijar el segundo poste de nivel montado a una barandilla redonda, consulte la página 44. Para una barandilla cuadrada, consulte la página 46.

### PASO 5

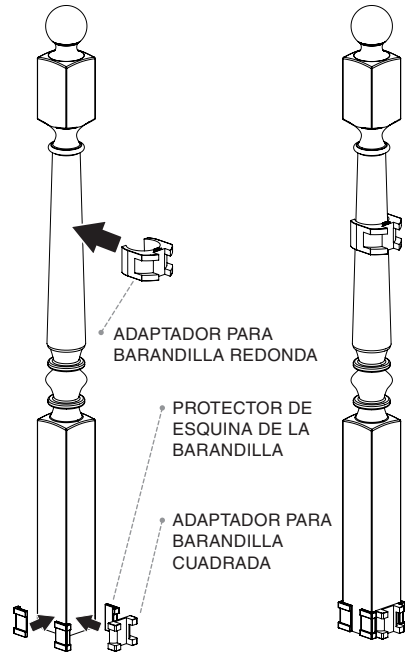
Una vez que ambos *poste de nivel montado* estén correctamente montados en ambos lados de la entrada o hueco de la puerta, consulte la página 48.

# Opción B1: Montaje en un poste de barandilla redonda

## PASO 1

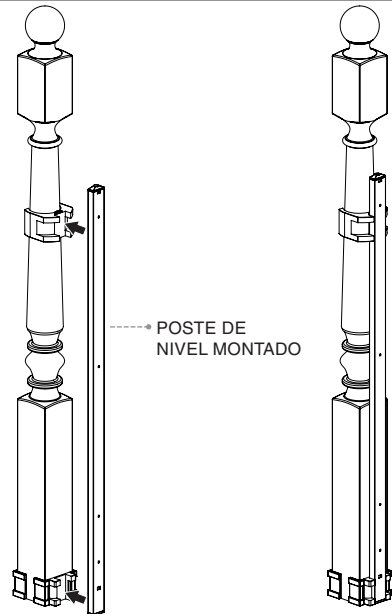
Deslice el adaptador para barandilla redonda en la barandilla, cerca de la parte superior del poste de nivel montado. Coloque un adaptador para barandilla cuadrada y los protectores de esquina de la barandilla en la parte inferior de la barandilla.

**NOTA:** Los herrajes proporcionados solo permiten la instalación a una sola barandilla redonda. Si su aplicación requiere adaptadores para barandillas redondas adicionales comuníquese con el servicio al cliente de Regalo.



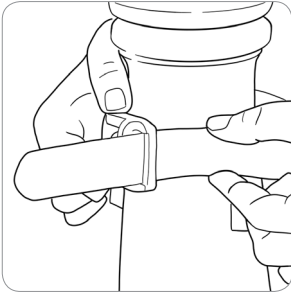
## PASO 2

Coloque el *poste de nivel montado* en las ranuras correspondientes con la parte inferior apoyada en el suelo. Utilice el *nivel de burbuja* incorporado para asegurarse de que el *poste de nivel montado* esté recto y a nivel.

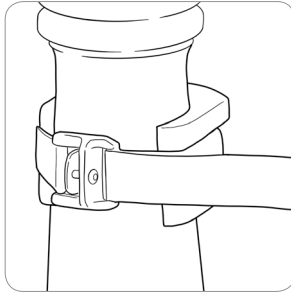


### PASO 3

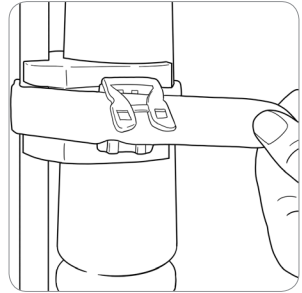
Fije las *correas de velcro* y *hebillas acopladas* alrededor de la parte superior e inferior de los *adaptadores de las barandillas*.



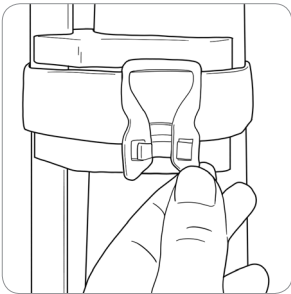
Enhebre la correa alrededor del poste y a través de la hebilla.



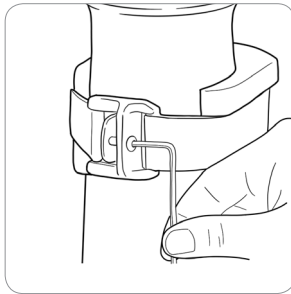
Tire de la correa a fin de que quede apretada y dóblela para conectar el lado del velcro.



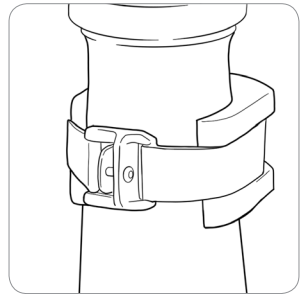
Una vez que esté correctamente colocada, tire firmemente de la correa alrededor del poste de la barandilla.



En los postes superiores de barandilla hay lengüetas de traba. Círrelas para fijar la posición de la correa.



Introduzca en el tornillo la llave hexagonal proporcionada y gírela en sentido horario hasta que el tornillo quede bien apretado. Esto apretará la correa y fijará la reja al poste de la barandilla.



Repita todos los pasos en los demás montajes de postes de la barandilla.

**NOTA:** La *hebilla* se puede girar hacia cualquier punto alrededor del poste de la barandilla de forma que quede escondida.

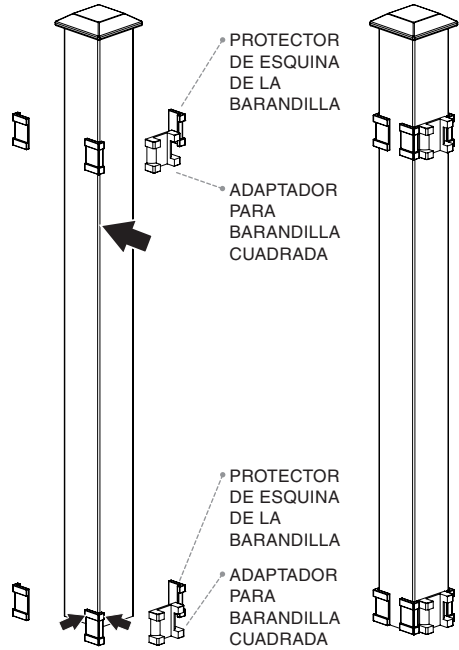
### PASO 4

Una vez que ambos *poste de nivel montado* estén correctamente montados en ambos lados de la entrada o hueco de la puerta, consulte la página 48.

# Opción B2: Montaje en un poste de barandilla cuadrada

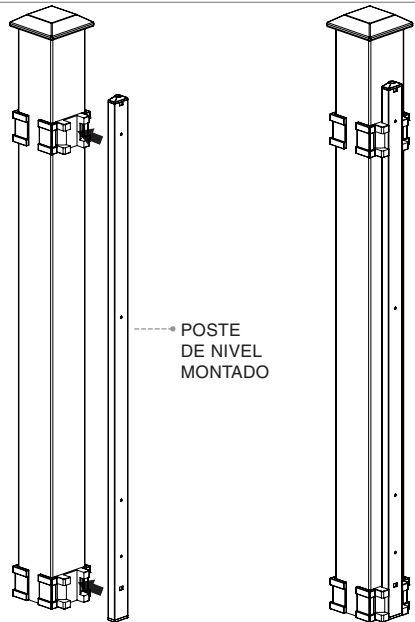
## PASO 1

Coloque los adaptadores para barandillas cuadradas y los adaptadores de esquina de la barandilla en la parte inferior de la barandilla.



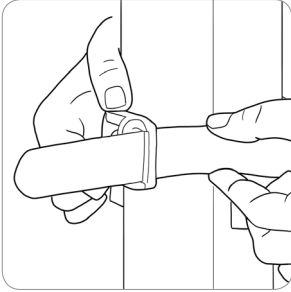
## PASO 2

Coloque el *poste de nivel montado* en las ranuras correspondientes con la parte inferior apoyada en el suelo. Utilice el *nivel de burbuja* incorporado para asegurarse de que el *poste de nivel montado* esté recto y a nivel.

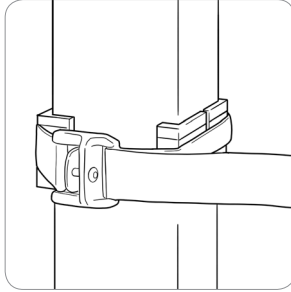


### PASO 3

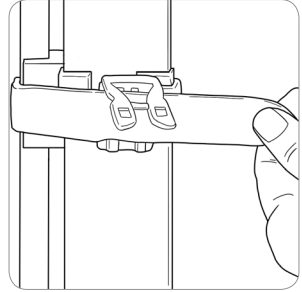
Fije las *correas de velcro y hebillas acopladas* alrededor de la parte superior e inferior de los *adaptadores de las barandillas*.



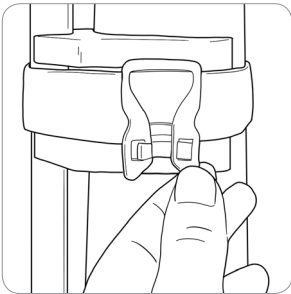
Enhebre la correa alrededor del poste y a través de la hebilla.



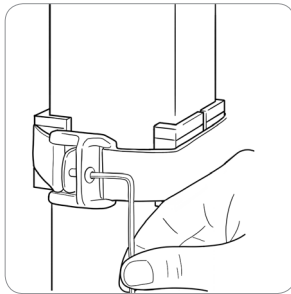
Tire de la correa a fin de que quede apretada y dóblela para conectar el lado del velcro.



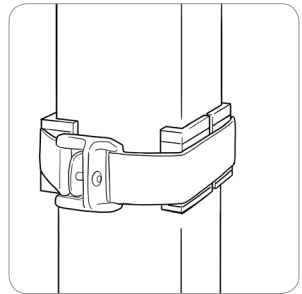
Una vez que esté correctamente colocada, tire firmemente de la correa alrededor del poste de la barandilla.



En los postes superiores de barandilla hay lengüetas de traba. Cíérrelas para fijar la posición de la correa.



Introduzca en el tornillo la llave hexagonal proporcionada y gírela en sentido horario hasta que el tornillo quede bien apretado. Esto apretará la correa y fijará la reja al poste de la barandilla.



Repita todos los pasos en los demás montajes de postes de la barandilla.

**NOTA:** La *hebilla* se puede girar hacia cualquier punto alrededor del poste de la barandilla de forma que quede escondida.

### PASO 4

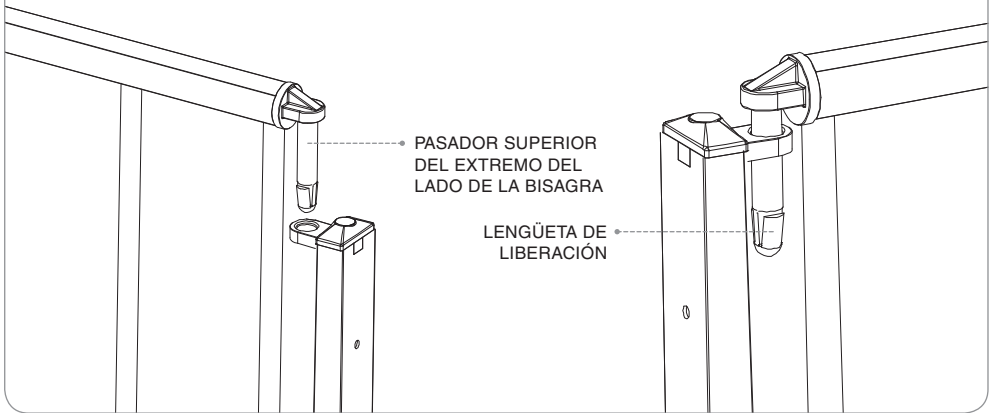
Una vez que ambos *poste de nivel montado* estén correctamente montados en ambos lados de la entrada o hueco de la puerta, consulte la página 48.

# Colocación de la reja

## PASO 1

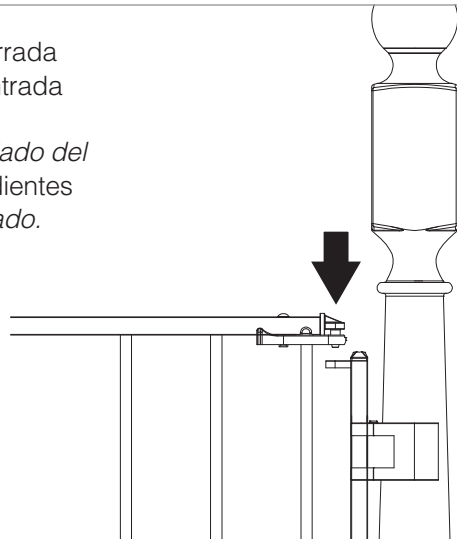
Con los *postes de nivel montados* firmemente en sus posiciones designadas, conecte la reja insertando sus pasadores superior e inferior del lado de las bisagras en los orificios correspondientes del *poste de nivel montado*.

Para desacoplar la reja, presione las *lengüetas de liberación* en la parte inferior de los pasadores superiores del extremo del lado de la bisagra.



## PASO 2

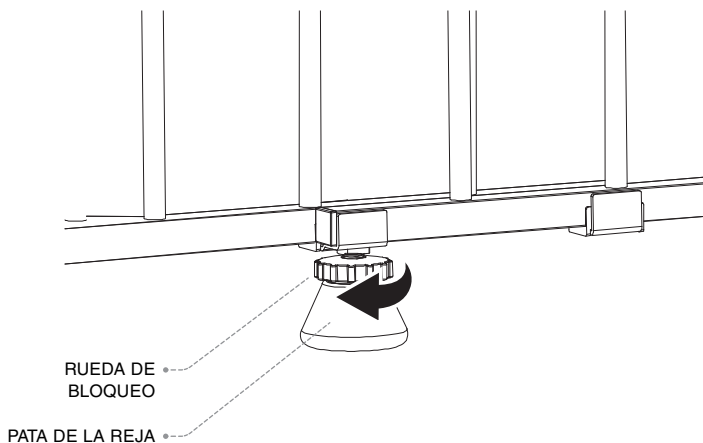
Deslice la puerta a la posición cerrada extendiéndola a lo ancho de la entrada o hueco de la puerta. Inserte los *pasadores superior e inferior del lado del pestillo* en los orificios correspondientes del segundo *poste de nivel montado*.





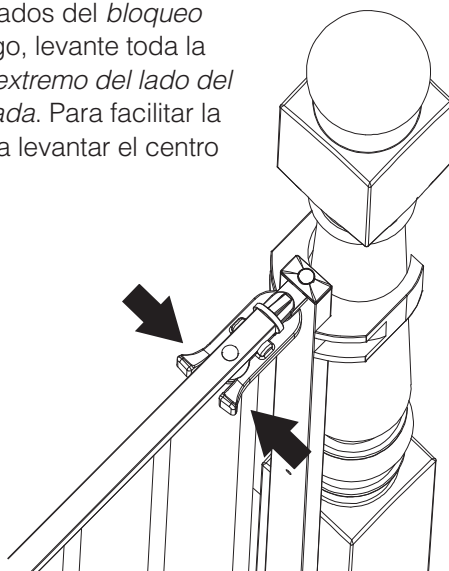
### PASO 3

Con la reja en la posición de bloqueo, ajuste la *pata de la reja* girándola en sentido horario hasta que apenas entre en contacto con la superficie del piso. Esto ayudará a estabilizar la reja en posición. Bloquee la pata en su lugar girando *la rueda de bloqueo* hasta que esté apretada contra la pata.



### PASO 4

Para abrir la reja, apriete ambos lados del *bloqueo manual* para liberar la traba. Luego, levante toda la reja, retirando los *pasadores del extremo del lado del pestillo* de la *barra de nivel montada*. Para facilitar la apertura, utilice su otra mano para levantar el centro de la reja mientras la abre.



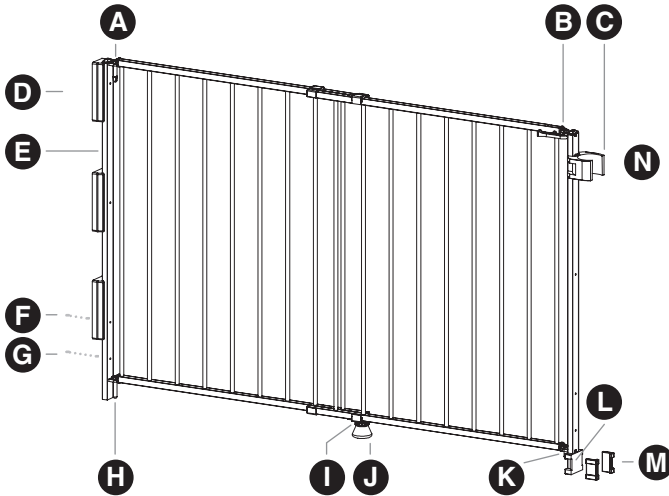
## **CUIDADO Y MANTENIMIENTO**

Revise periódicamente la reja para ver si hay indicios de daños, desgaste o le faltan componentes. No la use si le faltan piezas, está desgastada o dañada. Revise regularmente la reja para garantizar que todos los herrajes y monturas estén apretados. No use limpiadores ni blanqueadores abrasivos. Límpiela con una esponja con agua tibia y un detergente suave.

## **GARANTÍA LIMITADA DE 90 DÍAS**

Si durante los primeros 90 días después de la fecha de compra, bajo uso y condiciones de mantenimiento razonables y no comerciales, y mientras permanece en manos del comprador original, el artículo presenta fallas de calidad en los materiales o la mano de obra de acabado y montaje, Regalo International, LLC, lo reemplazará o reparará a discreción de Regalo. SE REQUIERE EL RECIBO DE COMPRA.

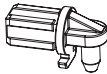
# Piezas de repuesto



**A** Pasador superior del extremo del lado de la bisagra  
Blanco = #13032



**B** Pasador superior del extremo del lado del pestillo  
Blanco = #13033



**C** Adaptador para barandilla redonda  
Blanco = #13035



**D** Espaciador plástico de pared  
Blanco = #13031



**E** Poste de elevación de nivel montado  
de 30 pulg. (76 cm) Blanco = #13030  
de 35 pulg. (89 cm) Blanco = #13059



**F** Tornillos de montaje para pared de 1.5 (3.8 cm) pulg.  
#10022



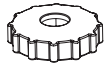
**G** Tornillos de montaje para pared de 2.5 pulg. (6 cm)  
#10023



**H** Pasador inferior del extremo del lado de la bisagra  
Blanco = #13025



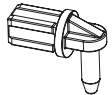
**I** Rueda de ajuste de la pata de la reja  
Blanco = #13029



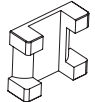
**J** Pata de la reja  
Blanco = #13028



**K** Pasador inferior del extremo del lado del pestillo  
Blanco = #13027



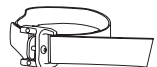
**L** Adaptador para barandilla cuadrada  
Blanco = #13026



**M** Protectores de esquina de barandilla  
Blanco = #13024



**N** Correa de velcro y hebilla acoplada  
Blanco = #13034





[www.regalo-baby.com](http://www.regalo-baby.com)



**Regalo International, LLC.**  
3200 Corporate Center Drive, Suite 100  
Burnsville, MN 55306, USA



866.272.5274 (U.S. only) or 952.435.1080

20180530ET