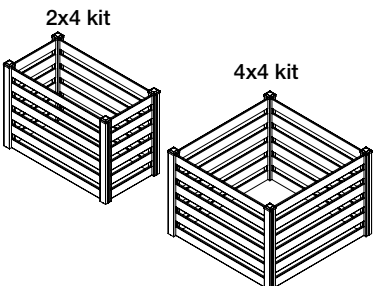
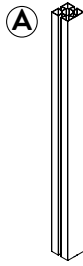


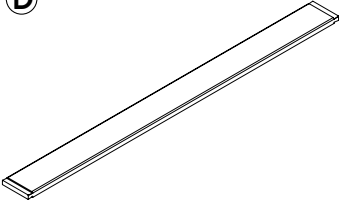
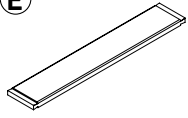






**OUTDOOR  
ESSENTIALS®**

# HAVEN 2X4 AND 4X4 CEDAR COMPOST BINS ASSEMBLY INSTRUCTIONS

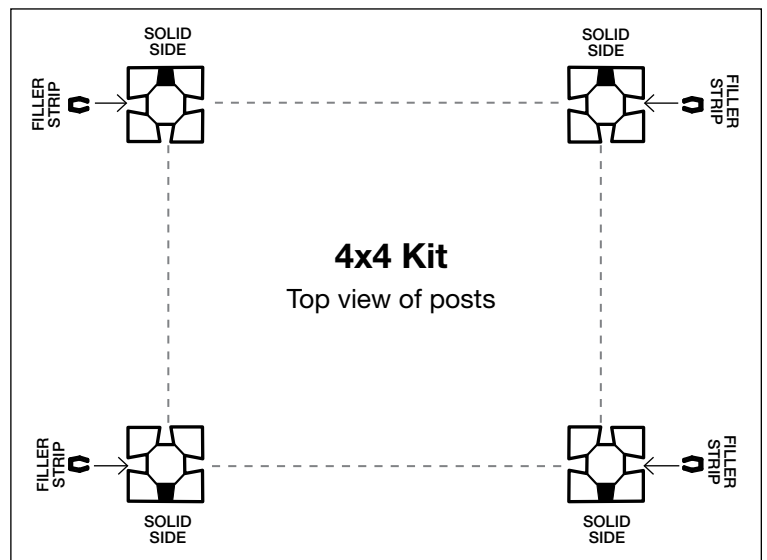
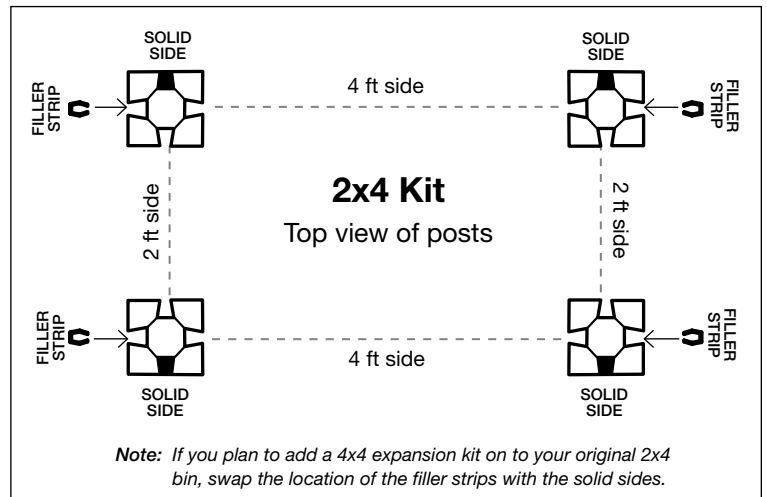
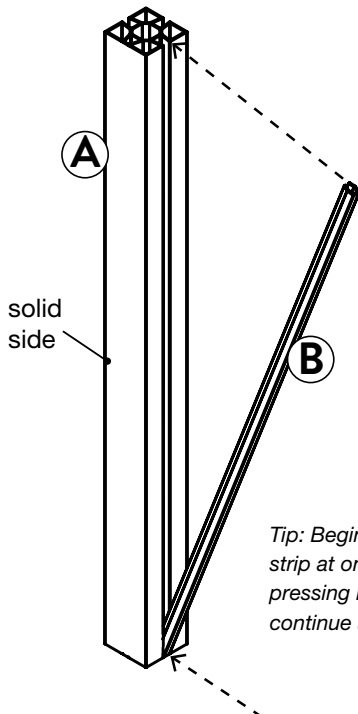
## Parts List

 <p>2x4 kit 4x4 kit</p>	 <p><b>A</b> Corner Posts</p>	 <p><b>B</b> Long Filler Strips</p>	 <p><b>C</b> Short Filler Strips</p>	 <p><b>D</b> Long Boards</p>	 <p><b>E</b> Short Boards</p>	 <p><b>F</b> Post Caps</p>
<p><b>2X4 KIT</b> 46 in. L x 24-1/2 in. W x 32-1/2 in. H</p>	x4	x4	x40	x12	x12	x4
<p><b>4X4 KIT</b> 46 in. L x 46 in. W x 32-1/2 in. H</p>	x4	x4	x40	x24	N/A	x4
<p><b>ADDITIONAL ITEMS YOU MAY NEED</b></p>				<p>Scan here to view our assembly video.</p> 		
<ul style="list-style-type: none"> <li>• Work gloves or gardening gloves</li> </ul>		<ul style="list-style-type: none"> <li>• Rubber mallet</li> </ul>				

## ASSEMBLY

**1** Snap 1 long filler strip (B) into the open grooves of each corner post (A) in the configuration shown.

**IMPORTANT:** Be sure to arrange the corner posts with solid sides and filler strips in the position shown, before inserting the boards in Step 2. *Proper placement is necessary if you plan to add on with an expansion kit.*



# HAVEN 2X4 AND 4X4 CEDAR COMPOST BINS

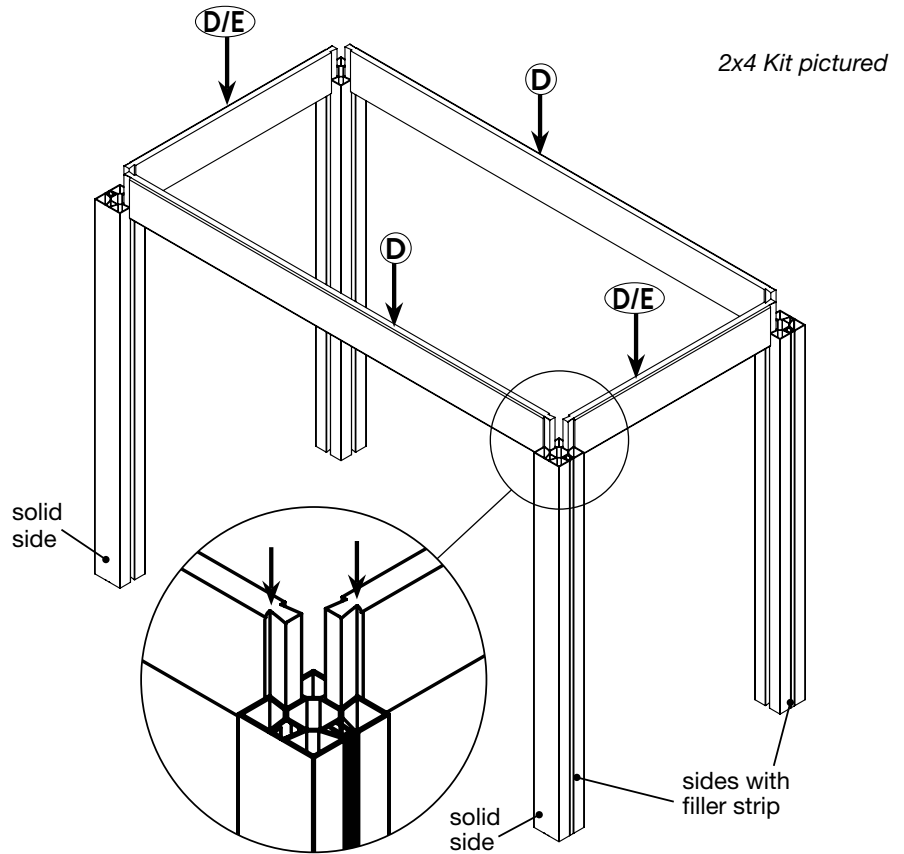
## ASSEMBLY INSTRUCTIONS

### ASSEMBLY – continued

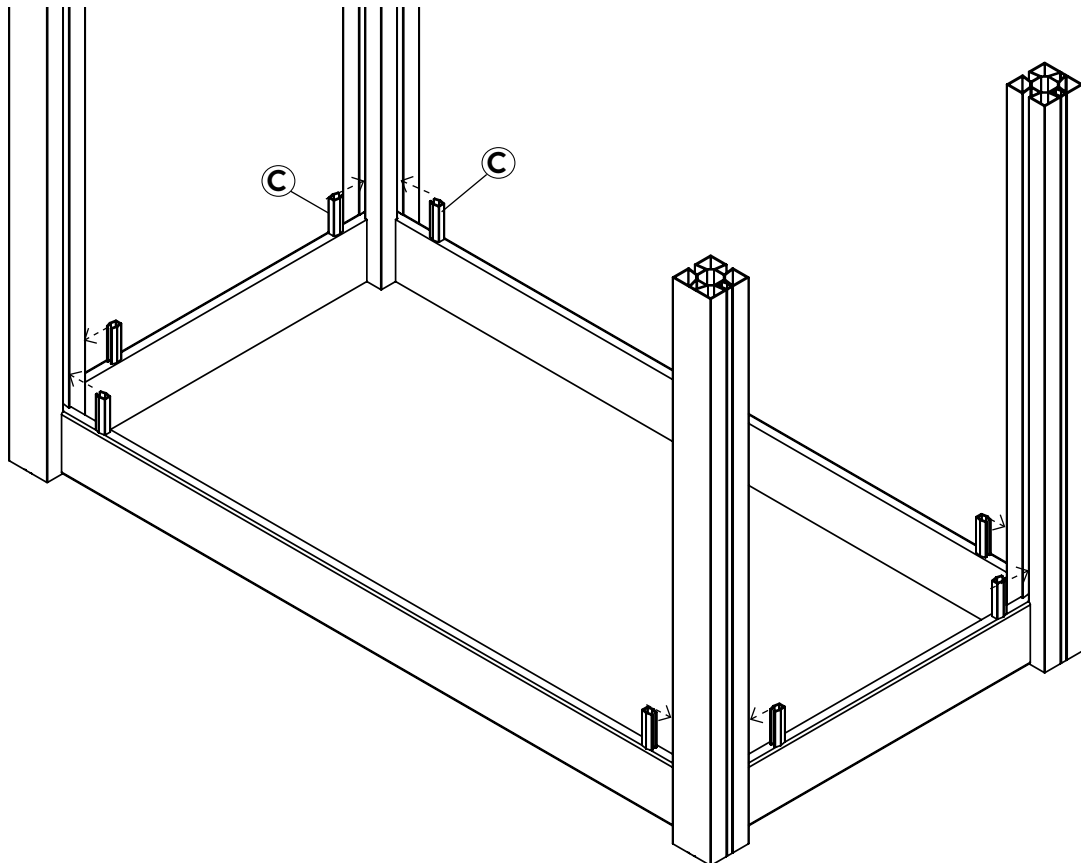
**2 2X4 KIT** - Insert two long boards (D) on parallel sides into the corner post grooves, and insert two short boards (E) on the remaining two sides. Push boards down to the bottom to create a base.

**4X4 KIT** - Insert four long boards (D) into the inner grooves of the posts and push boards down to the bottom to create a base.

*Tip: Use a rubber mallet to gently tap in boards if needed.*



**3** Snap 8 short filler strips (C) into the post grooves above each board as shown.



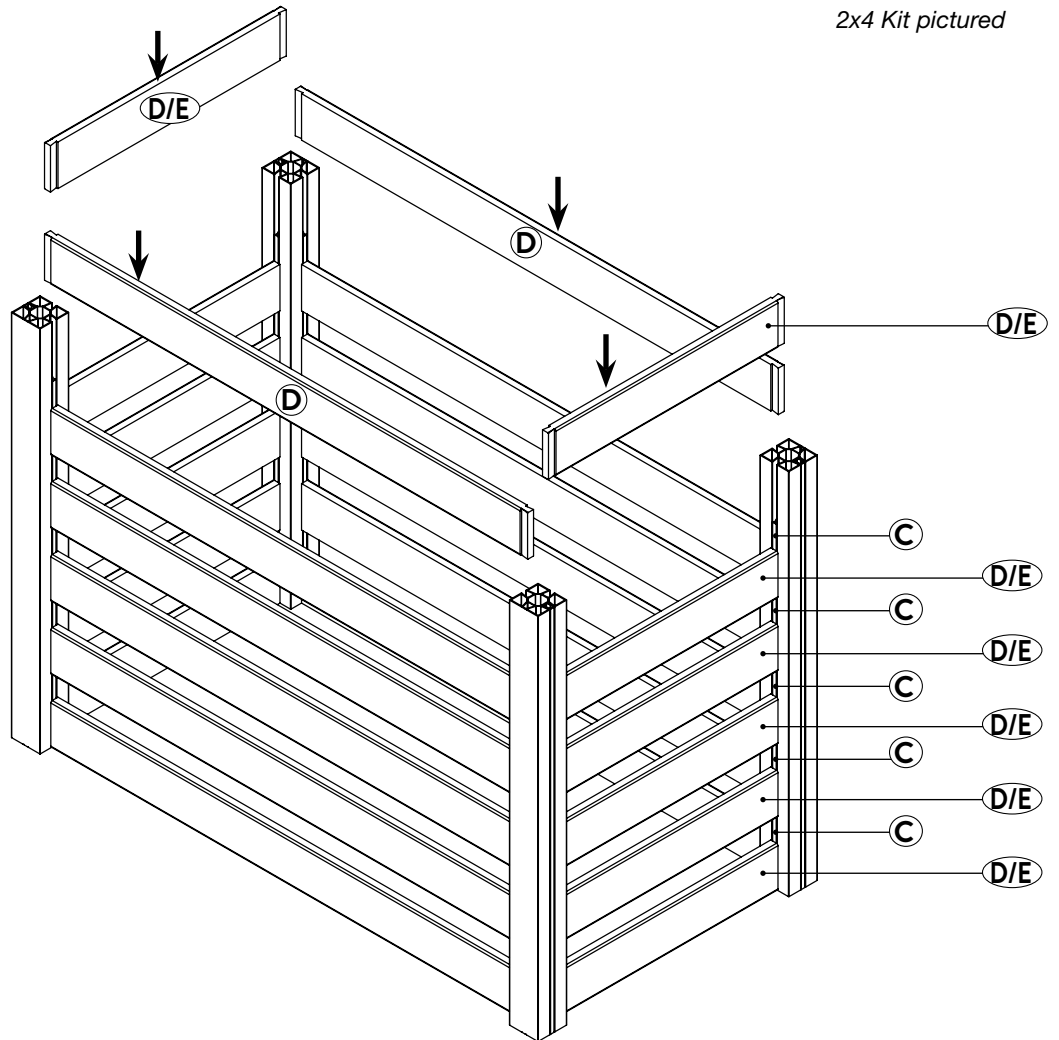
# HAVEN 2X4 AND 4X4 CEDAR COMPOST BINS

## ASSEMBLY INSTRUCTIONS

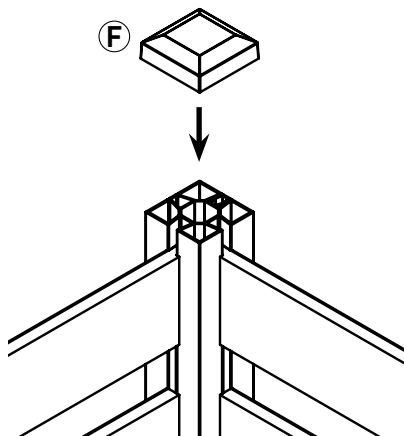
### ASSEMBLY – continued

**4** **2X4 KIT** - Repeat steps 2 and 3 until all boards (D & E) and all short filler strips (C) have been inserted into the corner posts.

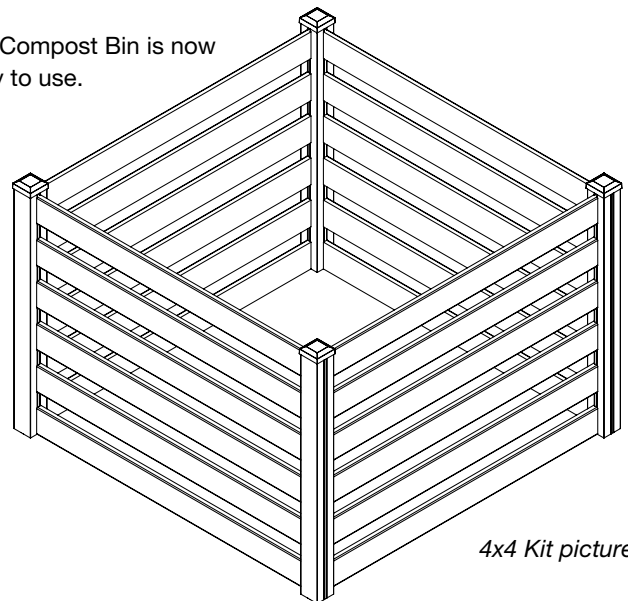
**4X4 KIT** - Repeat steps 2 and 3 until all boards (D) and all short filler strips (C) have been inserted into the corner posts.



**5** Attach the post caps (F) to the top of each post.  
TIP: Use PVC glue to secure the caps in place (optional).  
Do not glue on caps if you plan to add on additional bins.



Your Compost Bin is now ready to use.



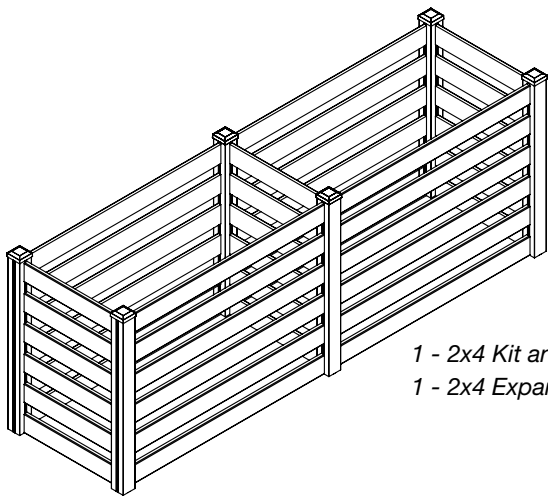
# HAVEN 2X4 AND 4X4 CEDAR COMPOST BINS

## ASSEMBLY INSTRUCTIONS

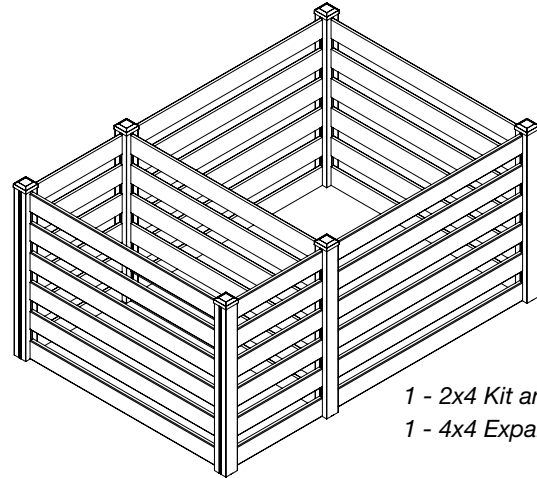
### COMPOST BIN CONFIGURATIONS

Need to expand? Check out our Haven Cedar Compost Bin Expansion Kits to learn more.

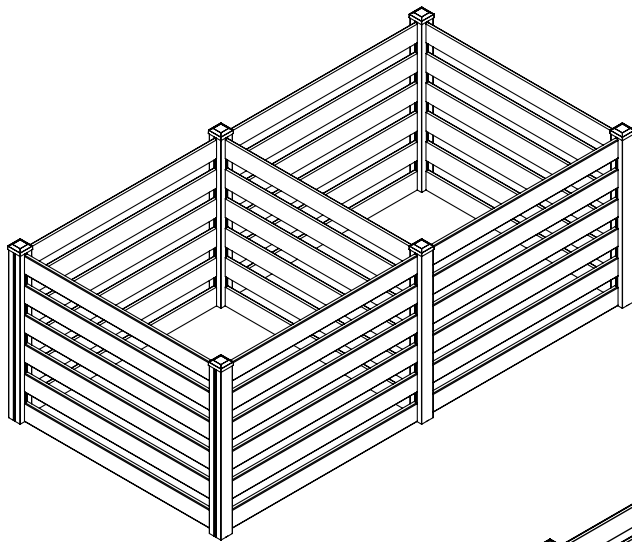
Scan here.



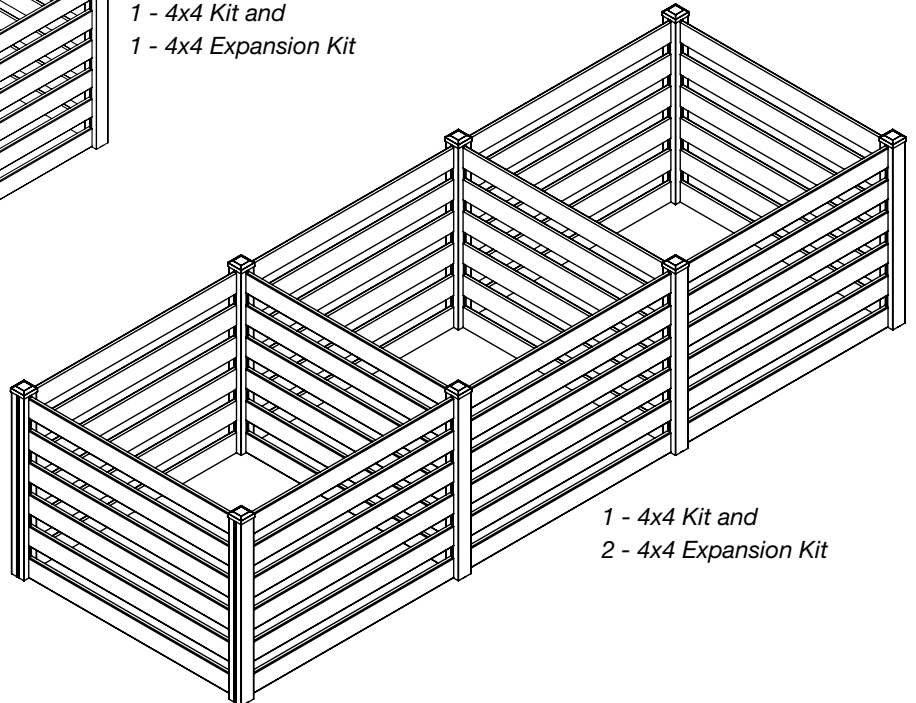
1 - 2x4 Kit and  
1 - 2x4 Expansion Kit



1 - 2x4 Kit and  
1 - 4x4 Expansion Kit



1 - 4x4 Kit and  
1 - 4x4 Expansion Kit



1 - 4x4 Kit and  
2 - 4x4 Expansion Kit

THE DIAGRAMS AND INSTRUCTIONS IN THIS BROCHURE ARE FOR ILLUSTRATION PURPOSES ONLY AND ARE NOT MEANT TO REPLACE A LICENSED PROFESSIONAL. ANY CONSTRUCTION OR USE OF THE PRODUCT MUST BE IN ACCORDANCE WITH ALL LOCAL ZONING AND/OR BUILDING CODES. THE CONSUMER ASSUMES ALL RISKS AND LIABILITY ASSOCIATED WITH THE CONSTRUCTION OR USE OF THIS PRODUCT. THE CONSUMER OR CONTRACTOR SHOULD TAKE ALL NECESSARY STEPS TO ENSURE THE SAFETY OF EVERYONE INVOLVED IN THE PROJECT, INCLUDING, BUT NOT LIMITED TO, WEARING THE APPROPRIATE SAFETY EQUIPMENT. EXCEPT AS CONTAINED IN THE WRITTEN LIMITED WARRANTY, THE WARRANTOR DOES NOT PROVIDE ANY OTHER WARRANTY, EITHER EXPRESS OR IMPLIED, AND SHALL NOT BE LIABLE FOR ANY DAMAGES, INCLUDING CONSEQUENTIAL DAMAGES.