

PSE25KYHFS

GE Profile™ ENERGY STAR® 25.3 Cu. Ft. Side-By-Side Refrigerator with Dispenser

DIMENSIONS AND INSTALLATION INFORMATION (IN INCHES)

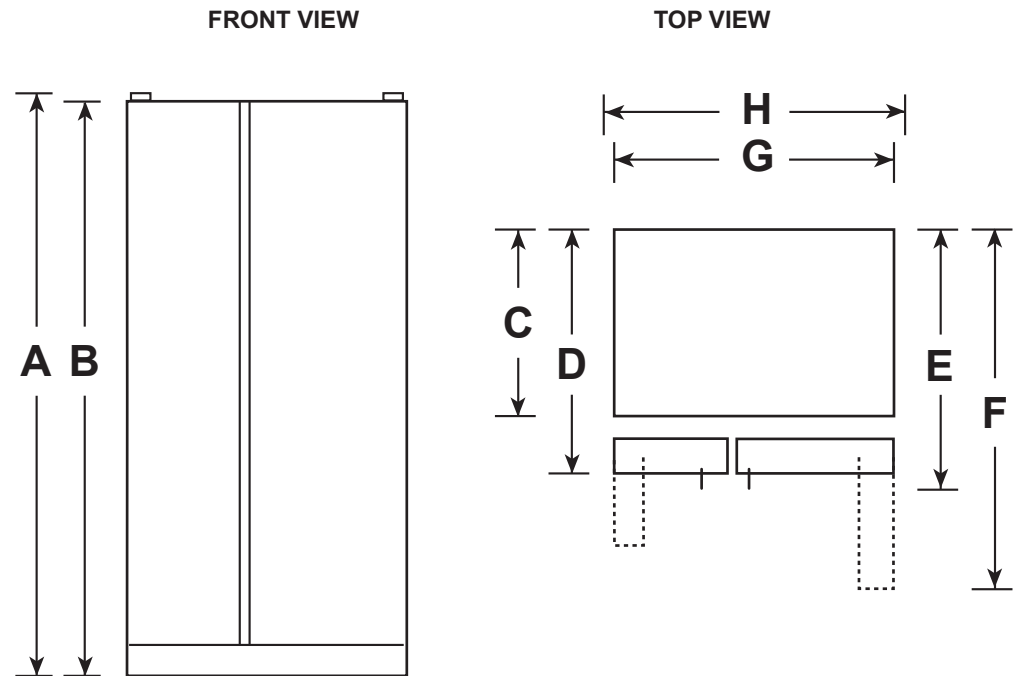
Overall Dimensions	Height to top of door (in.)	70-1/8
	Height to Top of Hinge (in.) (A)	69-1/2
	Height to Top of Case (in.) (B)	69
	Case Depth Without Door (in.) (C)	28-1/2
	Depth Without Door Handle (in.) (D)	32-3/4
	Depth With Door Handle (in.) (E)	34-3/4
	Overall Depth (in.) (F) - with FF Door at 90	50-1/2
	Case Width Only (G)	35-3/4
	Width w/ Door Open at 90 Inc. Handle (in.) (H)	42-1/4
	Width w/ Door Open 90 Less Handle (in.)	38-1/4
Air	Overall Width (in.)	36
	Each side (in.)	1/8
	Top (in.)	1
	Back (in.)	2

†Water hook-up fits in back air clearance when calculating installation depth.

If installed against a wall, allow clearance of 14-3/16" on freezer side to remove bin. To remove fresh food pans, remove door bins.

Clearance required to remove fresh food full-size pan without disassembling is 18-15/16".

Allow additional space for any necessary leveling adjustments.



For answers to your Monogram, GE Café™, GE Profile™ or GE Appliances product questions, visit our website at geappliances.com or call GE Answer Center® Service, 800.626.2000.



As an ENERGY STAR® partner, GE has determined that this product meets the ENERGY STAR guidelines for energy efficiency.

PSE25KYHFS

GE Profile™ ENERGY STAR® 25.3 Cu. Ft. Side-By-Side Refrigerator with Dispenser

FEATURES AND BENEFITS

Total Capacity: 25.3 Cu. Ft.

FF Capacity: 15.7 Cu. Ft.

FZ Capacity: 9.6 Cu. Ft.

ADA Compliant: No

Energy Star: Yes

Full Depth

Ice & Water Dispenser: External

Water Filtration: Yes

Control Type: Electronic

Internal Lighting: LED

Shelves: Glass Spillproof

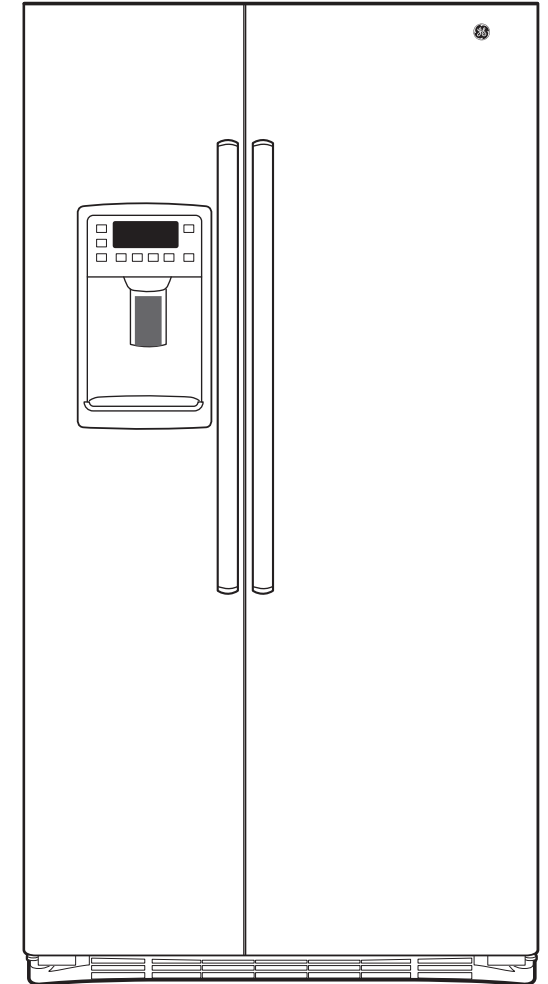
Colors Available: Fingerprint resistant stainless

Case Color: Dark Grey

Claims & Certifications: UFAS, Energy Star

Warranty: 1 Year Parts and Labor

Model PSE25KYHFS – Fingerprint resistant stainless



As an ENERGY STAR® partner, GE has determined that this product meets the ENERGY STAR guidelines for energy efficiency.