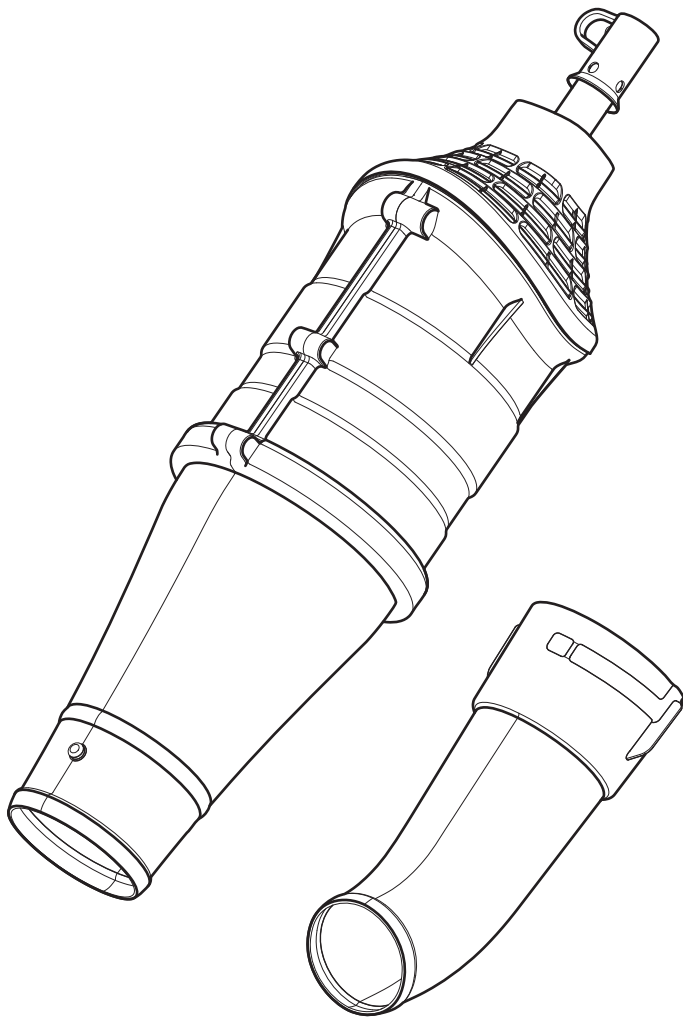


# Operator's Manual

## High-Performance Blower Attachment

### TABLE OF CONTENTS

Service .....	1
Safety .....	2
Know Your Unit .....	5
Specifications .....	5
Assembly .....	6
Operation .....	8
Cleaning and Storage .....	9
Warranty .....	10



## SAVE THESE INSTRUCTIONS

### SERVICE

**DO NOT RETURN THIS UNIT TO THE RETAILER. PROOF OF PURCHASE WILL BE REQUIRED FOR WARRANTY SERVICE.**

For assistance regarding the assembly, controls, operation or maintenance of the unit, please call the Customer Support Department at **1-800-800-7310** in the United States or **1-800-668-1238** in Canada. Additional information about the unit can be found on our website: **www.mtdproducts.com** (U.S.) or **www.mtdproducts.ca** (Canada).

For service, please call the Customer Support Department to obtain a list of authorized service dealers near you. Service on this unit, both within and after the warranty period, should only be performed by an authorized and approved service dealer. When servicing, use only identical replacement parts.

All information, illustrations, and specifications in this manual are based on the latest product information available at the time of printing. We reserve the right to make changes at any time without notice.

Copyright© 2013 MTD SOUTHWEST INC, All Rights Reserved.

**IMPORTANT: Read this manual thoroughly before using this product. Follow all instructions.**

## SAFETY

The purpose of safety symbols is to attract your attention to possible dangers. The safety symbols, and their explanations, deserve your careful attention and understanding. The safety warnings do not by themselves eliminate any danger. The instructions or warnings they give are not substitutes for proper accident prevention measures.

**Read the operator's manual and follow all warnings and safety instructions. Failure to do so can result in serious injury to the operator and/or bystanders.**

SYMBOL	MEANING
--------	---------

	<b>DANGER:</b> Signals an EXTREME hazard. Failure to obey a safety <b>DANGER</b> signal <b>WILL</b> result in serious injury or death to yourself or to others.
--	--


	<b>WARNING:</b> Signals a SERIOUS hazard. Failure to obey a safety <b>WARNING</b> signal <b>CAN</b> result in serious injury to yourself or to others.
--	---

	<b>CAUTION:</b> Signals a MODERATE hazard. Failure to obey a safety <b>CAUTION</b> signal <b>MAY</b> result in property damage or injury to yourself or to others.
--	---

**NOTE:** Advises you of information or instructions vital to the operation or maintenance of the equipment.

## • IMPORTANT SAFETY INSTRUCTIONS •

### READ ALL INSTRUCTIONS BEFORE OPERATING

	<b>WARNING:</b> When using the unit, all safety rules must be followed. Please read these instructions before operating the unit in order to ensure the safety of the operator and any bystanders. Please keep these instructions for later use.
--	--

- Carefully read and understand the operator's manual of the unit that powers this attachment.
- Read the instructions carefully. Be familiar with the controls and proper use of the unit.
- Do not operate this unit when tired, ill or under the influence of alcohol, drugs or medication.
- Children must not operate the unit. Teens must be accompanied and guided by an adult.
- All guards and safety attachments must be installed properly before operating the unit.
- Inspect the unit before use. Replace damaged parts. Check for fuel leaks. Make sure all fasteners are in place and secure. Replace parts that are cracked, chipped, or damaged in any way. Do not operate the unit with loose or damaged parts.
- Carefully inspect the area before starting the unit. Remove all debris and hard or sharp objects such as glass, wire, etc.
- Be aware of the risk of injury to the head, hands and feet.
- Clear the area of children, bystanders and pets; keep them outside a 50-foot (15 m) radius, at a minimum. Even then, they are still at risk from thrown objects. Encourage bystanders to wear eye protection. If you are approached, stop the unit immediately.

### SAFETY WARNINGS FOR GAS UNITS

	<b>WARNING:</b> Gasoline is highly flammable and its vapors can explode if ignited. Take the following precautions:
---	---

- Store fuel only in containers specifically designed and approved for the storage of such materials.
- Always stop the engine and allow it to cool before filling the tank. Never remove the fuel tank cap or add fuel when the engine is hot. Always loosen the fuel tank cap slowly to relieve any pressure in the tank before fueling.
- Always mix and add fuel in a clean, well-ventilated outdoor area where there are no sparks or flames. DO NOT smoke.
- Never operate the unit without the fuel cap securely in place.
- Avoid creating a source of ignition for spilled fuel. Wipe up any spilled fuel from the unit immediately, before starting the unit. Move the unit at least 30 ft. (9.1 m) from the fueling source and site before starting the engine. DO NOT smoke.
- Never start or run the unit inside a closed room or building. Breathing exhaust fumes can kill. Operate this unit only in a well-ventilated outdoor area.

## WHILE OPERATING

- Wear safety glasses or goggles that meet current ANSI Z87.1 standards and are marked as such. Wear ear/hearing protection when operating this unit. Wear a face or dust mask if the operation is dusty.
- Wear heavy long pants, boots, gloves and a long sleeve shirt. Do not wear loose clothing, jewelry, short pants, sandals or go barefoot. Secure hair above shoulder level.
- Adjust the handle to provide the best grip, if applicable.
- Make sure the attachment is not in contact with anything before starting the unit.
- Use the unit only in daylight or good artificial light.
- Use the right tool. Only use this tool for its intended purpose.
- Always hold the unit with both hands when operating. Keep a firm grip on both handles or grips.
- Do not overreach. Always keep proper footing and balance. Take extra care when working on stairs, steep slopes or inclines. To avoid serious injury, do not operate the unit while on a ladder or a roof.
- Keep hands, face, and feet away from all moving parts. Do not touch or try to stop moving parts.
- Do not operate the unit faster than the speed needed to do the job. Do not run the unit at high speed when not in use.
- Do not force the unit. It will do a better, safer job when used at the intended rate.
- Always stop the unit when operation is delayed or when walking from one location to another.
- If you strike or become entangled with a foreign object, stop the unit immediately and check for damage. Do not operate before repairing damage. Do not operate the unit with loose or damaged parts.
- Use only original equipment manufacturer (OEM) replacement parts and accessories for this unit. These are available from your authorized service dealer. Use of any other parts or accessories could lead to serious injury to the user, or damage to the unit, and void the warranty.
- Keep the unit clean. Carefully remove vegetation and other debris that could block moving parts.
- If the unit starts to vibrate abnormally, stop the unit immediately. Inspect the unit for the cause of the vibration. Vibration is generally an indicator of trouble.

## BLOWER SAFETY

- Do not insert anything into the air openings, blower tubes or nozzle. Do not operate the unit if any of the air openings or tubes are blocked. Keep the air openings free from dust, lint, hair and anything else that may reduce airflow.
- Do not use the unit to spray liquids, especially flammable or combustible liquids, such as gasoline. Do not use the unit in areas where such liquids are present.
- Do not use the unit for spreading chemicals, fertilizer or any other substance that may contain toxic materials.
- Do not set the unit down on any surface while the unit is running. Debris can be picked up by the air intake and thrown out the discharge opening, resulting in damage to the unit or property or causing serious injury to bystanders or the operator.
- During operation, never point the unit in the direction of people, animals, windows or automobiles. Always direct blowing debris away from people, animals, windows or automobiles.
- Use extra caution when blowing debris near solid objects, such as trees, walls, fences, etc. When possible, blow away from such objects, not toward them.
- Take care when working near valuable plants. The force of the blown air could damage tender plants.
- Never attempt to clear a clogged air intake opening while the unit is running.
- Keep hair, fingers and all other body parts away from moving parts and openings.

## OTHER SAFETY WARNINGS



- Maintain the unit with care.
- Do not perform maintenance procedures other than those described in this manual. Do not attempt to repair the unit; there are no user-serviceable parts inside.
- Never remove, modify or make inoperative any safety device furnished with the unit.
- Before inspecting, maintaining, cleaning, storing, transporting or replacing any parts on the unit:
  1. Stop the unit.
  2. Make sure all moving parts have stopped.
  3. Allow the unit to cool.
  4. Disconnect the spark plug wire.
- Secure the unit while transporting.
- Never store the unit with fuel in the tank, inside a building where fumes may reach an open flame (pilot lights, etc.) or sparks (switches, electrical motors, etc.).
- Store the unit in a dry place, secured or at a height to prevent unauthorized use or damage. Keep the unit out of the reach of children.
- Never douse or squirt the unit with water or any other liquid. Keep handles dry, clean and free from debris. Clean the unit after each use. Refer to *Cleaning and Storage*. Do not use solvents or strong detergents.
- Keep these instructions. Refer to them often and use them to instruct other users. If you loan this unit to others, also loan them these instructions.

## SAVE THESE INSTRUCTIONS

• SAFETY & INTERNATIONAL SYMBOLS •

This operator's manual describes safety and international symbols and pictographs that may appear on this product. Read the operator's manual for complete safety, assembly, operating and maintenance and repair information.

**SYMBOL    MEANING**

	<p>• <b>SAFETY ALERT SYMBOL</b> Indicates danger, warning or caution. May be used in conjunction with other symbols or pictographs.</p>
	<p>• <b>READ OPERATOR'S MANUAL</b> <b>WARNING:</b> Read the operator's manual(s) and follow all warnings and safety instructions. Failure to do so can result in serious injury to the operator and/or bystanders.</p>
	<p>• <b>WEAR EYE AND HEARING PROTECTION</b> <b>WARNING:</b> Thrown objects and loud noise can cause severe eye injury and hearing loss. Wear eye protection meeting current ANSI Z87.1 standards and ear protection when operating this unit. Use a full face shield when needed.</p>

**SYMBOL    MEANING**

	<p>• <b>THROWN OBJECTS CAN CAUSE SEVERE INJURY</b> <b>WARNING:</b> Small objects can be propelled at high speed, causing injury.</p>
<p>Min. 50ft  (15m)</p>	<p>• <b>KEEP BYSTANDERS AWAY</b> <b>WARNING:</b> Keep all bystanders, especially children and pets, at least 50 feet (15 m) from the operating area.</p>
	<p>• <b>BLOWERS – ROTATING IMPELLER BLADES CAN CAUSE SEVERE INJURY</b> <b>WARNING:</b> Stop the unit and allow the impeller to stop before changing tubes, cleaning or performing any maintenance. Keep hands and feet away from moving parts.</p>

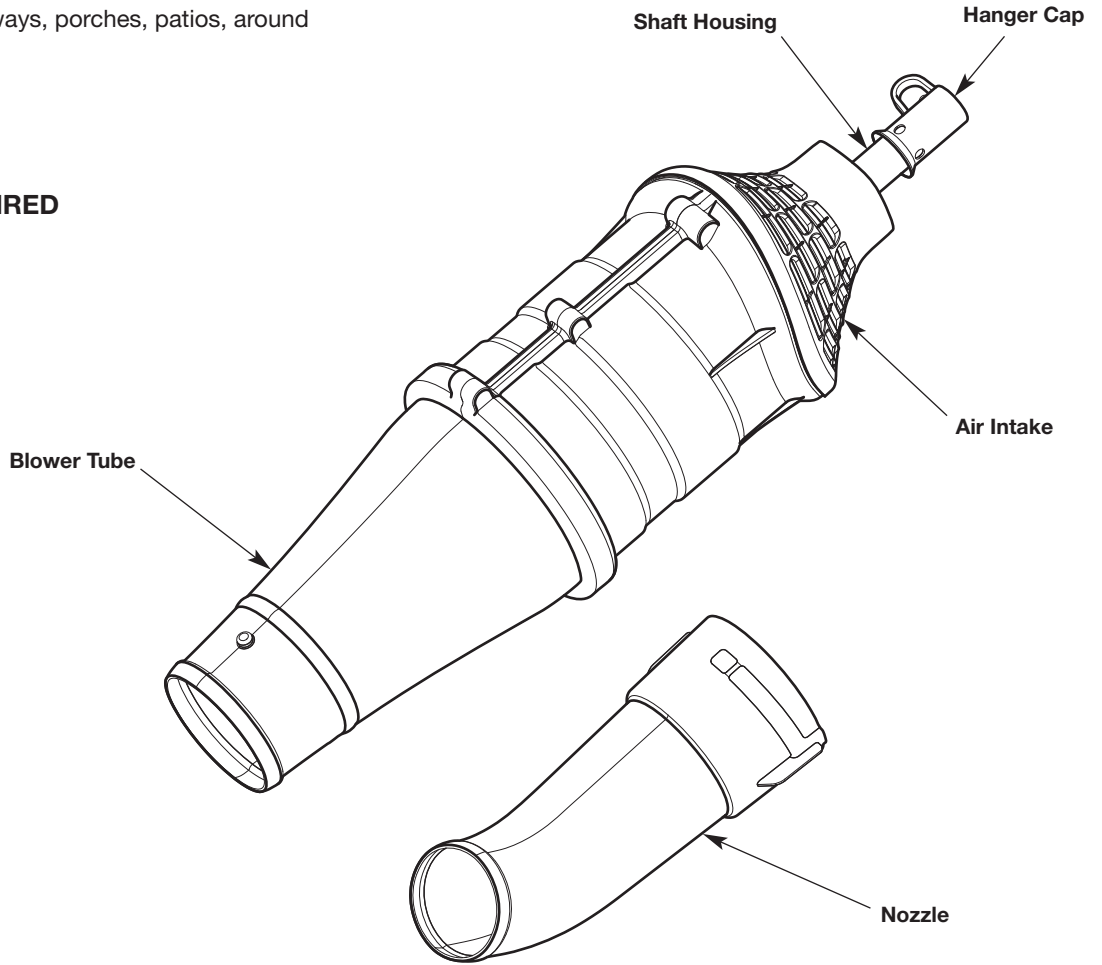
# KNOW YOUR UNIT

## APPLICATIONS

As a blower:

- Cleaning yards, garages, driveways, porches, patios, around walls, fences and more

## NO ASSEMBLY TOOLS REQUIRED



## SPECIFICATIONS\*

Approximate Unit Weight (attachment only) .....	3 - 4 lbs. (1.4 - 1.8 kg)
Blower Air Volume .....	up to 500 cfm (14 cmm)
Blower Air Speed .....	up to 95 mph (153 kmh)

\* All specifications are based on the latest product information available at the time of printing. We reserve the right to make changes at any time without notice.

## ASSEMBLY



**WARNING:** To prevent serious personal injury, take the following steps before installing or removing the nozzle:

- Stop the unit and allow the impeller to come to a complete stop
- Disconnect the spark plug wire



**WARNING:** To prevent serious personal injury, do not insert hands into the nozzle or blower tube when removing or installing the nozzle.

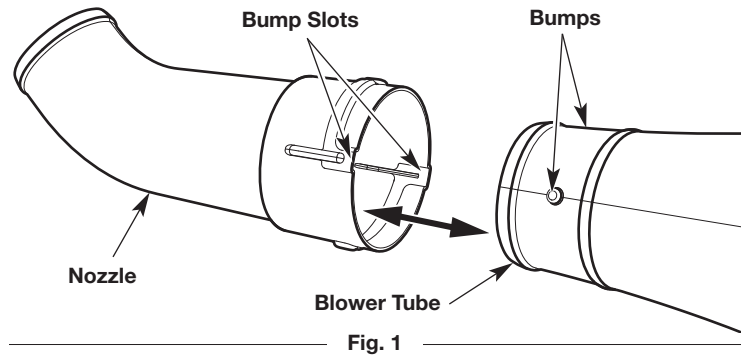


Fig. 1

### INSTALLING AND REMOVING THE NOZZLE

#### Installing the Nozzle

1. Align the bump slots on the inside of the nozzle with the bumps on the blower tube (Fig. 1). Push the nozzle onto the blower tube.
2. Turn the nozzle clockwise until it locks into place with an audible click (Fig. 2).

#### Removing the Nozzle

1. Turn the nozzle counterclockwise until it unlocks from the blower tube (Fig. 2).
2. Pull the nozzle off of the blower tube (Fig. 2).

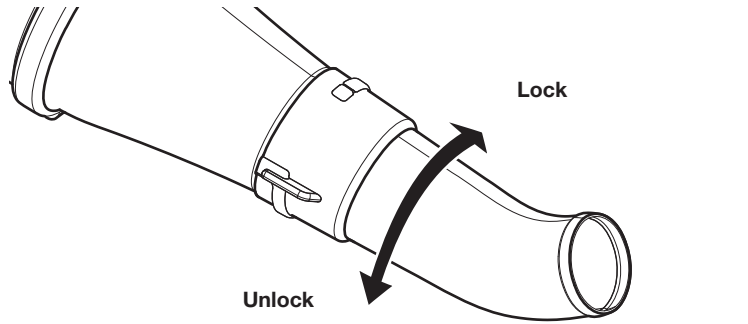


Fig. 2

**WARNING:** Do not use this attachment with an electric or battery-powered unit. Doing so could cause the motor to overheat, resulting in damage to the unit and possible personal injury.

**WARNING:** Before using any attachment, read and understand the manual that came with the attachment. Follow all safety information contained within.

**WARNING:** To avoid serious personal injury and damage to the unit, shut the unit off before removing or installing an attachment.

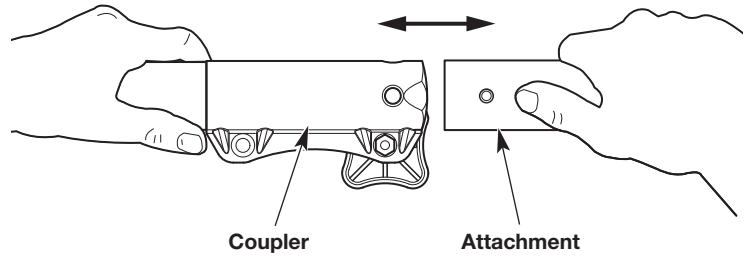


Fig. 3

## OPERATING THE COUPLER

The coupler enables the use of various optional attachments.

### Installing the Attachment

1. Remove the hanger cap from the attachment. Keep the hanger cap for use when storing the attachment. If present, remove the gray spacer from the coupler.
2. Set the unit on a flat, level surface.
3. Turn the knob counterclockwise to loosen the coupler (Fig. 4).
4. Align the release button with the guide recess (Fig. 5).
5. Push the attachment straight into the coupler until the release button snaps firmly into the primary hole (Fig. 5).
6. Turn the knob clockwise to tighten the coupler (Fig. 4).

**NOTE:** Do not tighten the nut (Fig. 5).

**CAUTION:** Before operating the unit, make sure the release button is fully snapped into the primary hole and the knob is securely tightened.

**CAUTION:** The release button should be snapped into the primary hole only. Using the wrong hole could lead to personal injury or damage to the unit.

### Removing the Attachment

1. Set the unit on a flat, level surface.
2. Turn the knob counterclockwise to loosen the coupler (Fig. 4).
3. Press and hold the release button (Fig. 5).
4. Pull the attachment straight out of the coupler (Fig. 3).

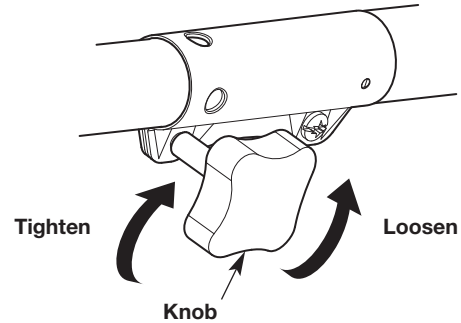


Fig. 4

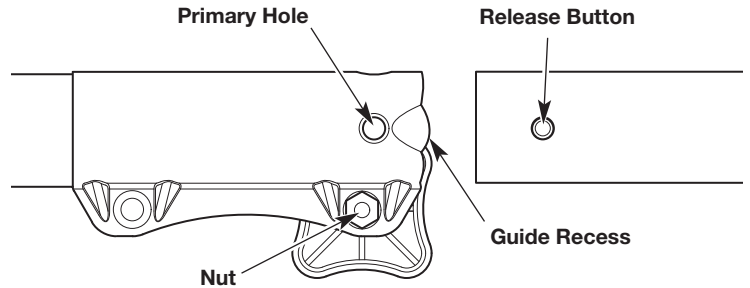


Fig. 5

## OPERATION

### HOLDING THE UNIT



**WARNING:** Always wear eye, hearing, hand, foot and body protection to reduce the risk of injury when operating this unit.

- Stand in the operating position (Fig. 6).
- Hold the shaft grip with the right hand. Keep the right arm slightly bent.
- Hold the handle with the left hand. Keep the left arm straight.
- Hold the unit at waist level.

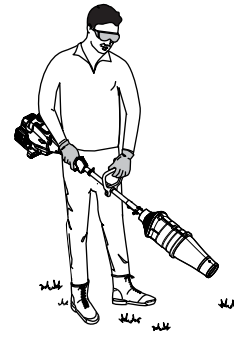


Fig. 6

### TIPS FOR BEST RESULTS

- Make sure the unit is not directed at anybody or any loose debris before starting the unit.
- To reduce the risk of hearing loss associated with sound level(s), hearing protection is required.
- Operate power equipment only at reasonable hours— not early in the morning or late at night when people might be disturbed. Comply with times listed in local ordinances. Usual recommendations are 9:00 am to 5:00 pm, Monday through Saturday.
- To reduce noise levels, limit the number of pieces of equipment used at any one time.
- To reduce noise levels, operate power blowers at the lowest possible speed to do the job.
- Use rakes and brooms to loosen debris before blowing.
- In dusty conditions, slightly dampen surfaces.
- Conserve water by using power blowers instead of hoses for many lawn and garden applications, including areas such as screens, patios, grills, porches and gardens.
- Watch out for children, pets, open windows and freshly washed cars; blow debris safely away.
- Clean up after using blowers and other equipment. Dispose of debris appropriately.
- Use the nozzle for hard-to-reach places, such as corners in a garage, or to control dust in a dust-laden environment (Fig. 7).

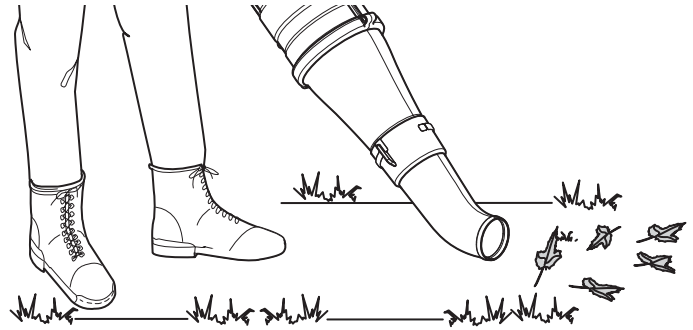


Fig. 7



## CLEANING AND STORAGE

### CLEANING



**WARNING:** To avoid serious personal injury, always stop the unit and allow it to cool before cleaning or maintaining the unit.



**WARNING:** Do not use strong detergents. Household cleaners that contain aromatic oils such as pine and lemon, and solvents such as kerosene, can damage plastic.

Use a small brush or clean, dry cloth to clean the outside of the unit.

### STORAGE

- Never store a fueled unit where fumes may reach an open flame or spark.
- Allow the unit to cool.
- Thoroughly clean the unit and inspect it for any loose or damaged parts. Replace damaged parts and tighten loose screws, nuts or bolts.
- Lock up the unit to prevent unauthorized use or damage.
- Store the unit indoors, in a dry, well-ventilated area.
- Store the unit out of the reach of children.
- To suspend the attachment from a hook, install the hanger cap onto the attachment. Make sure the release button is securely locked into one of the holes on the hanger cap.

## MANUFACTURER'S LIMITED WARRANTY FOR:

The limited warranty set forth below is given by MTD LLC (MTD) with respect to new merchandise purchased and used in the United States, its possessions and territories.

MTD warrants this product against defects in material and workmanship for a period of two (2) years commencing on the date of original purchase and will, at its option, repair or replace, free of charge, any part found to be defective in material or workmanship. This limited warranty shall only apply if this product has been operated and maintained in accordance with the Operator's Manual furnished with the product, and has not been subject to misuse, abuse, commercial use, neglect, accident, improper maintenance, alteration, vandalism, theft, fire, water or damage because of other peril or natural disaster. Damage resulting from the installation or use of any accessory or attachment not approved by MTD for use with the product(s) covered by this manual will void your warranty as to any resulting damage. This warranty is limited to ninety (90) days from the date of original retail purchase for any MTD product that is used for rental or commercial purposes, or any other income-producing purpose.

**HOW TO OBTAIN SERVICE:** Warranty service is available, WITH PROOF OF PURCHASE THROUGH YOUR LOCAL AUTHORIZED SERVICE DEALER. To locate the dealer in your area, visit our website at [www.mtdproducts.com](http://www.mtdproducts.com) or [www.mtdproducts.ca](http://www.mtdproducts.ca), check for a listing in the Yellow Pages, call **1-800-800-7310** or **1-800-668-1238** in Canada, or write to P.O. Box 361131, Cleveland, OH 44136-0019. No product returned directly to the factory will be accepted unless prior written permission has been extended by the Customer Service Department of MTD.

**This limited warranty does not provide coverage in the following cases:**

- A. Tune-ups - Spark Plugs, Carburetor Adjustments, Filters
- B. Wear items - Bump Knobs, Outer Spools, Cutting Line, Inner Reels, Starter Pulley, Starter Ropes, Drive Belts, Saw Chains, Guide Bars, Cultivator Tines, Blades.
- C. MTD does not extend any warranty for products sold or exported outside of the United States of America, its possessions and territories, except those sold through MTD's authorized channels of export distribution.

MTD reserves the right to change or improve the design of any MTD Product without assuming any obligation to modify any product previously manufactured.

**No implied warranty, including any implied warranty of merchantability or fitness for a particular purpose, applies after the applicable period of express written warranty above as to the parts as identified. No other express warranty or guaranty, whether written or oral, except as mentioned above, given by any person or entity, including a dealer or retailer, with respect to any product shall bind MTD. During the period of the Warranty, the exclusive remedy is repair or replacement of the product as set forth above.** (Some states do not allow limitations on how long an implied warranty lasts, so the above limitation may not apply to you.)

**The provisions as set forth in this Warranty provide the sole and exclusive remedy arising from the sales. MTD shall not be liable for incidental or consequential loss or damages including, without limitation, expenses incurred for substitute or replacement lawn care services, for transportation or for related expenses, or for rental expenses to temporarily replace a warranted product.** (Some states do not allow limitations on how long an implied warranty lasts, so the above limitation may not apply to you.)

In no event shall recovery of any kind be greater than the amount of the purchase price of the product sold. Alteration of the safety features of the product shall void this Warranty. You assume the risk and liability for loss, damage, or injury to you and your property and/or to others and their property arising out of the use or misuse or inability to use the product.

This limited warranty shall not extend to anyone other than the original purchaser, original lessee or the person for whom it was purchased as a gift.

**How State Law Relates to this Warranty:** This warranty gives you specific legal rights, and you may also have other rights which vary from state to state.

To locate your nearest service dealer, dial **1-800-800-7310** in the United States or **1-800-668-1238** in Canada.

### MTD LLC

P.O. Box 361131

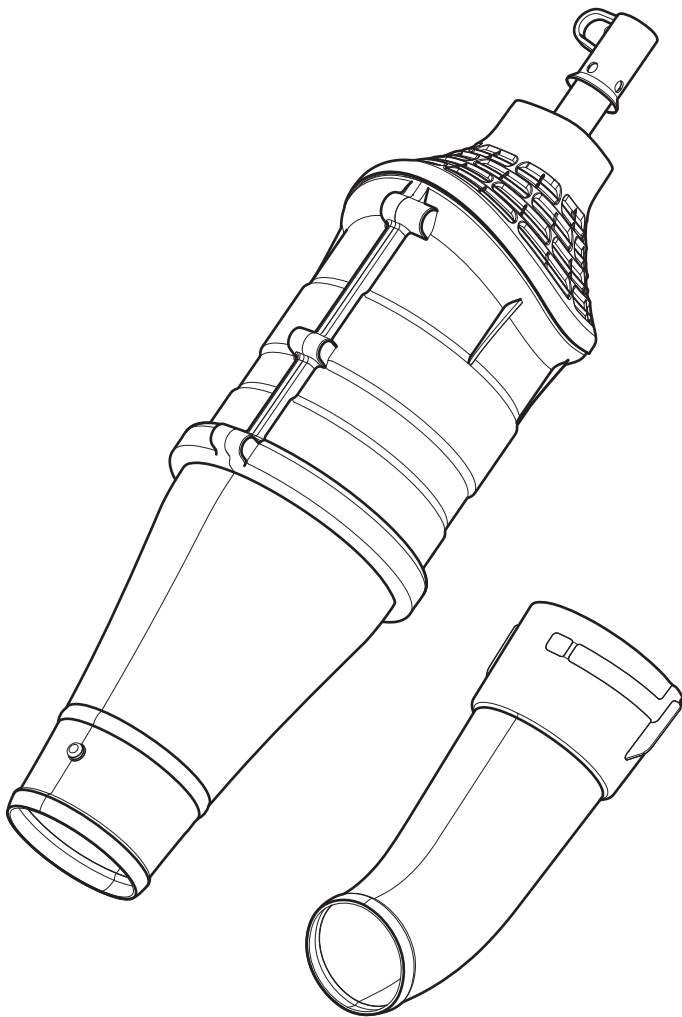
Cleveland, OH 44136-0019

# Manuel de l'opérateur

## Haute performance Accessoire de la souffleuse

### TABLE DES MATIÈRES

Service .....	11
Sécurité .....	12
Familiarisez-vous avec votre outil .....	15
Spécifications .....	15
Assemblage .....	16
Utilisation .....	18
Nettoyage et entreposage .....	19
Garantie .....	20



## CONSERVEZ CES INSTRUCTIONS

### SERVICE

**NE RAMENEZ PAS CET APPAREIL CHEZ LE  
REVENDEUR. UNE PREUVE D'ACHAT SERA EXIGÉE  
POUR AVOIR RECOURS À LA GARANTIE.**

Pour obtenir de l'aide concernant l'assemblage, les commandes, l'utilisation ou l'entretien de cet appareil, veuillez contacter le service à la clientèle au **1-800-800-7310** (États-Unis) ou au **1-800-668-1238** (Canada). Pour obtenir des informations supplémentaires sur cet appareil, visitez le site Internet : **www.mtdproducts.com** (É.-U.) ou **www.mtdproducts.ca** (Canada).

Pour profiter du service technique, veuillez appeler le service à la clientèle pour obtenir une liste des centres de réparation agréés les plus proches. Les réparations de cet appareil doivent être confiées uniquement à un centre de réparation agréé, à la fois pendant et après la période de garantie. Lors d'une réparation, utilisez uniquement des pièces de rechange identiques.

Toutes les informations, illustrations et spécifications contenues dans ce manuel tiennent compte des dernières informations techniques disponibles au moment de mettre sous presse. Nous nous réservons le droit d'y apporter des modifications à tout moment, sans préavis.  
Copyright © 2013 MTD SOUTHWEST INC., Tous droits réservés.

**IMPORTANT : Lisez attentivement ce manuel avant d'utiliser ce produit. Respectez toutes les instructions.**

L'objectif de ces symboles de sécurité est d'attirer votre attention sur des dangers potentiels. Ces symboles de sécurité et leurs explications méritent que vous les lisiez attentivement et les compreniez bien. À eux seuls, les avertissements de sécurité n'éliminent aucun danger. Les consignes ou avertissements de sécurité ne remplacent pas les mesures appropriées de prévention des accidents.

Lisez le manuel de l'utilisateur et suivez toutes les consignes de sécurité et de prévention. Tout manquement peut entraîner des blessures graves pour l'utilisateur et/ou pour les personnes à proximité.

## SIGNIFICATION DES SYMBOLES

	<b>DANGER</b> : Signale un risque EXTRÊME. Le non-respect d'une consigne d'un signal de <b>DANGER</b> <b>ENTRAÎNERA</b> des blessures graves voire mortelles pour vous-même ou pour les autres.
	<b>AVERTISSEMENT</b> : Signale un risque GRAVE. Le non-respect d'une consigne d'un signal d' <b>AVERTISSEMENT</b> de sécurité <b>PEUT</b> entraîner des blessures graves pour vous-même ou pour les autres.
	<b>ATTENTION</b> : Signale un risque MOYEN. Le non-respect d'une consigne d'un signal d' <b>ATTENTION</b> <b>POURRAIT</b> entraîner des dommages matériels ou des blessures graves pour vous-même ou pour les autres.

**REMARQUE** : Vous donne des informations ou des instructions capitales pour l'utilisation ou l'entretien de l'équipement.

## • CONSIGNES DE SÉCURITÉ IMPORTANTES •

### LISEZ TOUTES LES INSTRUCTIONS AVANT L'UTILISATION

	<b>AVERTISSEMENT</b> : Lors de l'utilisation de l'appareil, respectez toutes les consignes de sécurité. Veuillez lire ces consignes avant d'utiliser l'appareil afin de garantir votre sécurité et celle des personnes à proximité. Conservez-les pour vous y référer ultérieurement.
--	---

- Lisez la notice attentivement et assurez-vous de bien comprendre le fonctionnement de l'appareil qui alimente cet accessoire.
- Lisez attentivement les instructions. Familiarisez-vous avec les commandes et la marche à suivre pour une bonne utilisation de l'appareil.
- N'utilisez pas cet appareil lorsque vous êtes fatigué, malade, ou sous l'influence de l'alcool, de drogues, ou de médicaments.
- Les enfants ne peuvent pas utiliser cet appareil. Les adolescents doivent être accompagnés et guidés par un adulte.
- Toutes les protections et tous les dispositifs de sécurité doivent être installés correctement avant l'utilisation de l'appareil.
- Inspectez l'appareil avant utilisation. Remplacez les pièces endommagées. Assurez-vous qu'il n'y a pas de fuites de carburant. Assurez-vous que toutes les attaches sont en place et solidement fixées. Remplacez les pièces fissurées, ébréchées ou endommagées. N'utilisez pas l'appareil avec des pièces endommagées ou desserrées.

- Inspectez attentivement la zone d'utilisation avant de démarrer cet appareil. Retirez tous les débris et objets durs ou tranchants tels que du verre, des câbles, etc.
- Soyez conscient des risques de blessure à la tête, aux mains et aux pieds.
- Faites quitter la zone d'utilisation aux enfants, aux personnes à proximité et aux animaux familiers de la zone d'utilisation; au minimum, faites les reculer de 15 m (50 pieds). Il existe néanmoins un risque de projectile pour les personnes à proximité. Encouragez les personnes à proximité à porter des lunettes de sécurité. Si quelqu'un s'approche de vous, arrêtez l'appareil immédiatement.

## AVERTISSEMENTS DE SÉCURITÉ POUR LES APPAREILS À ESSENCE



**AVERTISSEMENT :** L'essence est extrêmement inflammable et ses vapeurs peuvent exploser si on y met le feu. Veuillez prendre les précautions suivantes:

- Stockez uniquement le carburant dans des conteneurs prévus spécifiquement à cet effet et homologués pour le stockage de telles substances.
- Coupez toujours le moteur et laissez-le refroidir avant de remplir le réservoir. Ne retirez jamais le bouchon du réservoir de carburant et ne remplissez jamais ce dernier lorsque le moteur est chaud. Dévissez lentement le bouchon du réservoir de carburant afin de réduire la pression dans le réservoir avant de le remplir.
- Mélangez et ajoutez toujours le carburant en extérieur, dans une zone propre, bien aérée et dépourvue de toute source d'étincelles ou de flammes. NE fumez PAS.
- Ne démarrez jamais l'appareil sans avoir bien revissé le bouchon du réservoir de carburant.
- Évitez tout ce qui pourrait enflammer le carburant renversé. Tout carburant qui s'est échappé de l'appareil doit être immédiatement essuyé, avant de démarrer l'appareil. Éloignez l'appareil d'au moins 9,1 m (30 pieds) de la source et du site de ravitaillement en carburant avant de démarrer le moteur. NE fumez PAS.
- L'appareil ne doit pas être démarré ou utilisé à l'intérieur d'un espace ou d'un bâtiment clos. Inhaler les fumées du pot d'échappement peut provoquer la mort. Utilisez cet appareil uniquement en extérieur, dans une zone bien aérée.

### PENDANT L'UTILISATION

- Portez des lunettes de sécurité conformes aux normes ANSI Z87.1 en vigueur, lesquelles doivent être indiquées sur les lunettes mêmes. Portez une protection auditive lorsque vous utilisez cet appareil. Portez un masque de protection pour le visage ou anti-poussière si vous travaillez dans un endroit poussiéreux.
- Portez un pantalon long et épais, des bottes, des gants et une chemise à manches longues. Ne portez pas de vêtements amples, de bijoux, de pantalons courts, de sandales et ne marchez pas les pieds nus. Relevez les cheveux au-dessus des épaules.
- Ajustez la poignée pour procurer une meilleure prise, le cas échéant.
- Assurez-vous que l'accessoire n'est pas en contact avec tout autre élément avant de démarrer l'appareil.
- Utilisez l'appareil uniquement à la lumière du jour ou sous un éclairage artificiel satisfaisant.
- Utilisez le bon outil. N'employez cet outil que pour l'usage pour lequel il a été prévu.
- Tenez toujours l'appareil à deux mains lorsque vous l'utilisez. Tenez fermement les deux poignées ou prises.
- N'essayez pas d'atteindre des espaces trop éloignés. Assurez-vous de toujours garder une position stable et un bon équilibre. Redoublez de prudence lorsque vous travaillez dans des escaliers, des pentes ou des rampes abruptes. Pour éviter les blessures graves, n'utilisez pas l'appareil lorsque vous vous trouvez sur une échelle ou un toit.
- Gardez les mains, le visage et les pieds éloignés des parties en mouvement. Ne touchez pas et n'essayez pas d'arrêter l'une quelconque des parties mobiles.
- Ne faites pas tourner l'appareil à une vitesse supérieure à celle qui est nécessaire pour effectuer le travail. Ne faites pas tourner l'appareil à haut régime lorsque vous ne l'utilisez pas.
- Ne forcez pas l'appareil. L'appareil sera plus efficace et plus sûr si vous l'utilisez à la vitesse pour laquelle il a été conçu.

- Arrêtez toujours l'appareil lorsque l'utilisation est interrompue ou lorsque vous vous déplacez d'un endroit à l'autre.
- Si l'appareil heurte ou s'emmêle avec un objet, arrêtez l'appareil immédiatement et vérifiez qu'il n'a pas été endommagé. N'utilisez pas l'appareil avant d'avoir réparé les dommages. N'utilisez pas l'appareil avec des pièces endommagées ou desserrées.
- Utilisez uniquement les pièces de rechange et accessoires du fabricant d'origine pour cet appareil. Vous pouvez vous les procurer auprès de votre concessionnaire agréé. L'utilisation de pièces ou d'accessoires autres pourrait entraîner des blessures graves pour l'utilisateur ou endommager l'appareil et annuler votre garantie.
- L'appareil doit rester propre. Retirez avec précaution la végétation et autres débris qui pourraient bloquer les pièces mobiles.
- Si l'appareil commence à vibrer de façon anormale, arrêtez-le immédiatement. Examinez l'appareil pour trouver la cause de la vibration. Une vibration indique généralement un problème.

### SÉCURITÉ DE LA SOUFFLEUSE

- N'insérez pas d'objet dans les ouvertures d'aération, les tubes ou les buses du ventilateur. N'utilisez pas l'appareil si l'une des ouvertures d'aération ou l'un des tubes sont bloqués. Gardez les ouvertures d'aération exemptes de poussière, de peluches, de cheveux et de tout ce qui peut réduire la circulation de l'air.
- N'utilisez pas l'appareil pour pulvériser des liquides, particulièrement des liquides inflammables ou combustibles, comme l'essence. N'utilisez pas l'appareil dans des zones où ces liquides sont présents.
- N'utilisez pas l'appareil pour épandre des produits chimiques, de l'engrais ou toute autre substance pouvant contenir des matières toxiques.
- Ne déposez pas l'appareil pendant qu'il est en marche. Les débris peuvent être captés par l'entrée d'air et être rejetés par l'ouverture de décharge, entraînant des dégâts matériels ou causant de graves blessures aux personnes présentes ou à l'opérateur.
- Pendant le fonctionnement, ne pointez jamais l'appareil vers des personnes, des animaux, des fenêtres ou des automobiles. Dirigez toujours les débris soufflés à l'écart des gens, des animaux, des fenêtres ou des automobiles.
- Redoublez de prudence lors du nettoyage des débris se trouvant à proximité d'objets solides, tels des arbres, des murs, des clôtures, etc. Lorsque cela est possible, soufflez dans la direction opposée à ces objets, et non vers eux.
- Faites attention lorsque vous travaillez à proximité de précieuses plantes. La force de l'air soufflé peut endommager les plantes délicates.
- Ne tentez jamais de dégager une ouverture d'admission d'air obstruée pendant que l'appareil est en marche.
- Gardez les cheveux, les doigts et toutes les autres parties du corps à l'écart des pièces en mouvement et des ouvertures.

## AUTRES AVERTISSEMENTS DE SÉCURITÉ

- Entretenez soigneusement l'appareil.
- N'effectuez aucune autre procédure d'entretien que celles décrites dans ce manuel. Ne tentez pas de réparer l'appareil, il ne contient aucune pièce réparable par l'utilisateur.
- Ne retirez, modifiez ou rendez jamais inopérant tout dispositif de sécurité fourni avec l'appareil.
- Avant une inspection, un entretien, un nettoyage, un entreposage, un transport ou le remplacement d'une pièce de l'appareil :
  1. Arrêtez l'appareil.
  2. Assurez-vous que toutes les pièces mobiles se sont arrêtées.
  3. Laissez l'appareil refroidir.
  4. Débranchez le fil de la bougie.
- Assurez-vous que l'appareil est sécurisé pour les transports.
- Quand le réservoir contient du carburant, ne rangez jamais l'appareil à l'intérieur d'un bâtiment où des vapeurs d'essence pourraient atteindre une flamme nue (veilleuses, etc.) ou des étincelles (interrupteurs, moteurs électriques, etc.).



- Rangez l'appareil dans un endroit sec et sûr ou en hauteur pour éviter une utilisation non autorisée ou des dommages. Gardez toujours l'appareil hors de portée des enfants.
- Ne mouillez pas ou n'éclaboussez pas l'appareil avec de l'eau ou tout autre liquide. Les poignées doivent rester sèches, propres et dépourvues de tout dépôt. Nettoyez l'appareil après chaque utilisation. Consultez la section *Nettoyage et entreposage*. N'utilisez pas de solvants ou de puissants détergents.
- Conservez ces instructions. Consultez-les souvent et utilisez-les pour former d'autres utilisateurs. Si vous prêtez cet appareil à d'autres personnes, remettez-leur également ces instructions.

## CONSERVEZ CES INSTRUCTIONS

### • SYMBOLES INTERNATIONAUX ET DE SÉCURITÉ •

Ce manuel de l'utilisateur décrit les symboles et pictogrammes de sécurité internationaux qui peuvent apparaître sur cet appareil. Lisez ce manuel d'utilisation pour une information complète sur la sécurité, l'assemblage, l'utilisation, l'entretien et les réparations.

#### SIGNIFICATION DES SYMBOLES

	<ul style="list-style-type: none"> <li>• <b>SYMBOLE D'ALERTE DE SÉCURITÉ</b> Indique un danger, un avertissement ou une mise en garde. Peut être utilisé de concert avec d'autres symboles ou pictogrammes.</li> </ul>
	<ul style="list-style-type: none"> <li>• <b>LISEZ LE MANUEL DE L'UTILISATEUR</b> <b>AVERTISSEMENT :</b> Lisez le(s) manuel(s) de l'utilisateur et suivez toutes les consignes de sécurité et de prévention. Tout manquement peut entraîner des blessures graves pour l'utilisateur et/ou pour les personnes à proximité.</li> </ul>
	<ul style="list-style-type: none"> <li>• <b>PORTEZ UNE PROTECTION OCULAIRE ET AUDITIVE</b> <b>AVERTISSEMENT :</b> Les objets projetés et le bruit peuvent entraîner des lésions oculaires graves et des pertes auditives. Portez toujours des lunettes de sécurité conformes aux normes ANSI Z87.1 en vigueur et des protections auditives lorsque vous utilisez cet appareil. Protégez-vous le visage avec un masque intégral au besoin.</li> </ul>

#### SIGNIFICATION DES SYMBOLES

	<ul style="list-style-type: none"> <li>• <b>LES OBJETS PROJETÉS PEUVENT CAUSER DES BLESSURES GRAVES</b> <b>AVERTISSEMENT :</b> De petits objets peuvent être propulsés à grande vitesse et entraîner des blessures.</li> </ul>
	<ul style="list-style-type: none"> <li>• <b>ÉLOIGNEZ LES PERSONNES SE TROUVANT À PROXIMITÉ</b> <b>AVERTISSEMENT :</b> Faites reculer les personnes se trouvant à proximité, en particulier les enfants et les animaux domestiques, d'au moins 15 m (50 pieds) de la zone de travail.</li> </ul>
	<ul style="list-style-type: none"> <li>• <b>SOUFFLEUSE – LES PALES EN ROTATION PEUVENT CAUSER DES BLESSURES GRAVES</b> <b>AVERTISSEMENT :</b> Arrêtez l'appareil et laissez la pale s'arrêter avant de changer de tubes, de nettoyer ou d'effectuer un entretien quelconque. Gardez les mains et les pieds éloignés des pièces mobiles.</li> </ul>

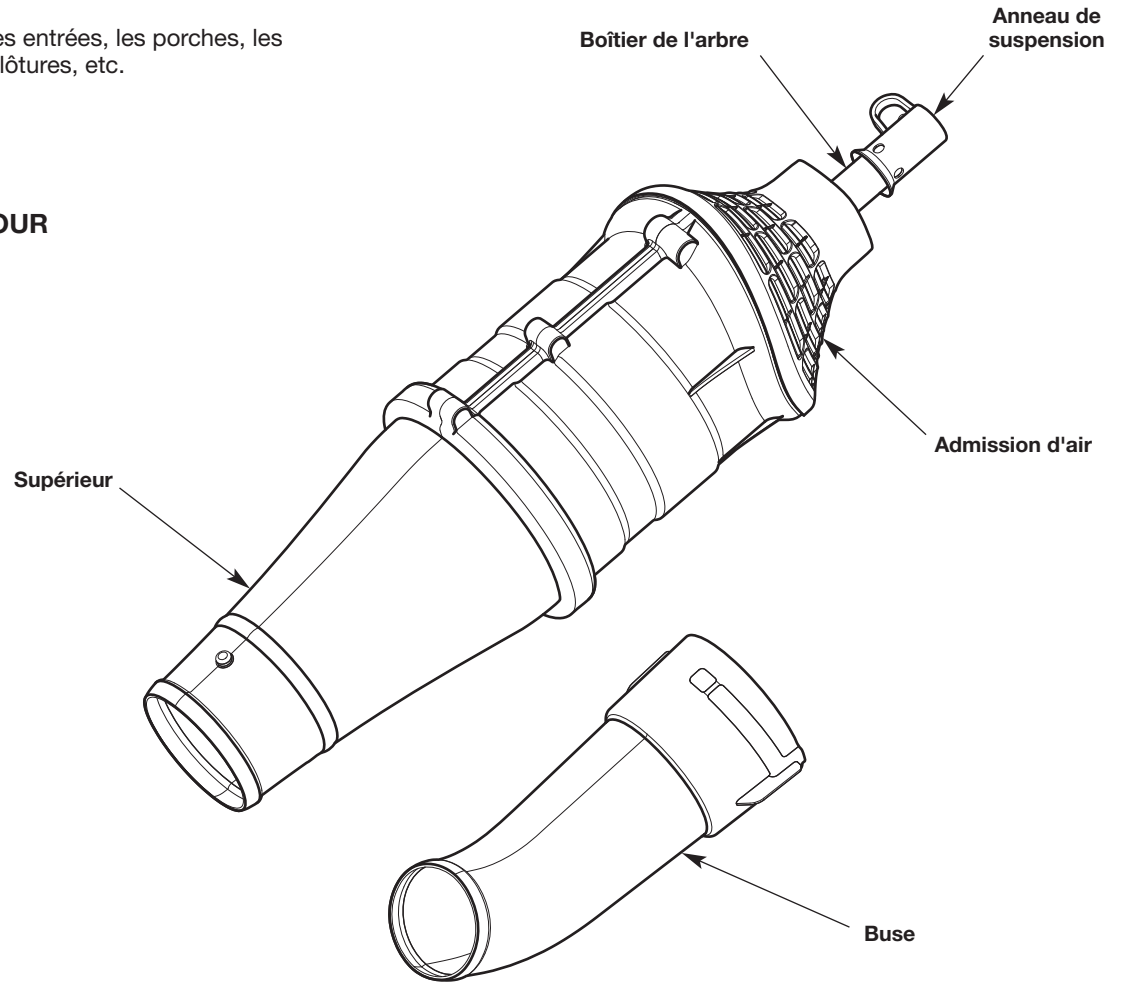
## FAMILIARISEZ-VOUS AVEC VOTRE APPAREIL

### APPLICATIONS

Comme souffleur :

- Nettoyer les cours, les garages, les entrées, les porches, les terrasses, autour des murs, des clôtures, etc.

### AUCUN OUTIL NÉCESSAIRE POUR L'ASSEMBLAGE



## SPÉCIFICATIONS\*

Poids approximatif (accessoire uniquement) .....	1,4 à 1,8 kg (3 à 4 lb)
Volume d'air de la souffleuse. ....	jusqu'à 14 m <sup>3</sup> /min (500 pi <sup>3</sup> /min)
Vitesse d'air de la souffleuse .....	jusqu'à 153 km/h (95 m/h)

\* L'ensemble des spécifications est basé sur les toutes dernières informations disponibles sur le produit à l'impression de ce manuel. Nous nous réservons le droit d'apporter des modifications à tout moment sans avis préalable.

## ASSEMBLAGE



**AVERTISSEMENT :** Pour éviter les blessures graves, suivez les étapes suivantes avant d'installer ou d'enlever la buse :

- Arrêtez l'appareil et laissez la pale s'arrêter complètement.
- Débranchez le fil de la bougie



**AVERTISSEMENT :** Pour éviter des blessures graves, ne mettez pas les mains dans la buse ou le logement lors du retrait ou de l'installation de la buse.

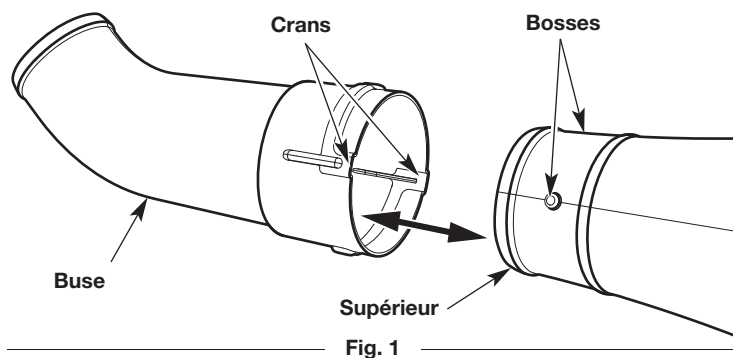


Fig. 1

### INSTALLATION ET RETRAIT DE LA BUSE

#### Installation de la buse

1. Alignez les crans à l'intérieur de la buse avec la bosse du tube de la souffeuse (Fig. 1). Poussez la buse sur le tube de la souffeuse.
2. Tournez la buse dans le sens horaire jusqu'à ce qu'elle s'enclenche et que vous entendiez un clic (Fig. 2).

#### Retrait de la buse

1. Tordez la buse dans le sens antihoraire jusqu'à ce qu'elle se débloque du tube de la souffeuse (Fig. 2).
2. Retirez la buse du tube de la souffeuse (Fig.2).

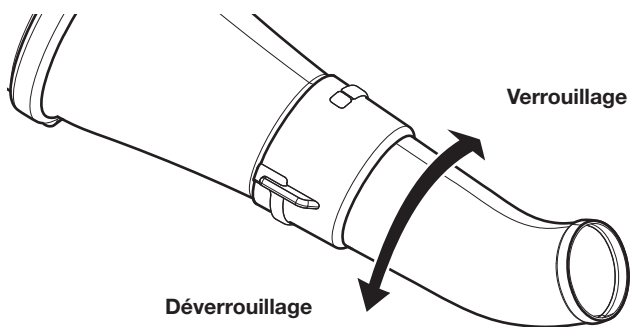


Fig. 2



**AVERTISSEMENT :** N'utilisez pas cet accessoire avec un appareil électrique ou fonctionnant sur pile. Une telle utilisation pourrait provoquer une surchauffe du moteur, laquelle pourrait endommager l'appareil ou entraîner des blessures.

**AVERTISSEMENT :** Avant d'utiliser tout accessoire, veuillez lire et comprendre le manuel accompagnant l'accessoire. Suivez toutes les consignes de sécurité qui y figurent.

**AVERTISSEMENT :** Afin d'éviter de graves blessures et d'endommager l'appareil, coupez le moteur avant de retirer ou d'installer un accessoire.

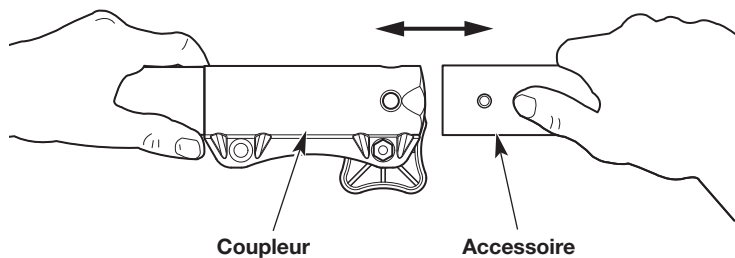


Fig. 3

## UTILISATION DU COUPLEUR

Le coupleur permet l'utilisation de divers accessoires en option.

### Installer l'accessoire

1. Enlevez l'anneau de suspension de l'accessoire. Conservez l'anneau de suspension pour une utilisation lors du rangement de l'accessoire. Le cas échéant, enlevez l'entretoise grise du coupleur.
2. Réglez l'appareil sur une surface plane.
3. Tournez le bouton dans le sens contraire des aiguilles d'une montre pour desserrer le coupleur (Fig. 4).
4. Alignez le bouton de déclenchement avec la rainure de guidage (Fig. 5).
5. Poussez l'accessoire directement dans le coupleur jusqu'à ce que le bouton de déverrouillage s'enclenche fermement dans l'orifice principal (Fig. 5).
6. Tournez le bouton dans le sens contraire des aiguilles d'une montre pour serrer le coupleur (Fig. 4).

**REMARQUE :** Ne pas serrer l'écrou (Fig. 5).

**ATTENTION :** Avant d'utiliser l'appareil, assurez-vous que le bouton-ressort est complètement enclenché dans le trou principal et que le bouton est bien serré.

**ATTENTION :** Le bouton-ressort doit être enclenché uniquement dans le trou principal. Les enclencher dans le mauvais trou pourrait causer des blessures personnelles ou endommager l'appareil.

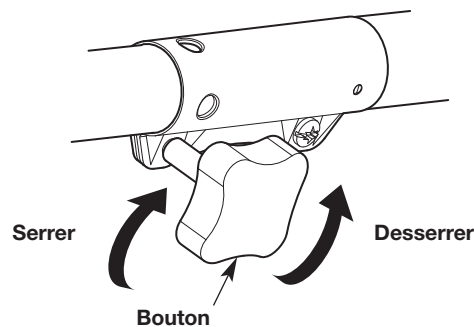


Fig. 4

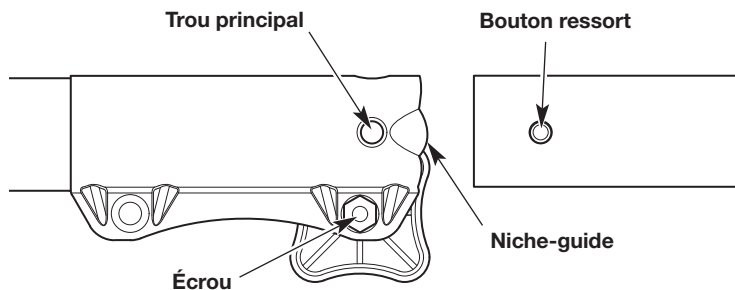


Fig. 5

### Retirer l'accessoire

1. Réglez l'appareil sur une surface plane.
2. Tournez le bouton dans le sens contraire des aiguilles d'une montre pour desserrer le coupleur (Fig. 4).
3. Appuyez et maintenez enfoncé le bouton de déclenchement (Fig. 5).
4. Retirez l'accessoire du coupleur (Fig. 3).

## COMMENT TENIR L'APPAREIL



**AVERTISSEMENT :** Portez toujours des lunettes de sécurité, des protecteurs antibruit et des protections pour les mains, le corps et les pieds pour réduire les risques de blessures lors de l'utilisation de l'appareil.

- Tenez-vous droit dans la position d'utilisation (Fig. 6).
- Tenez la prise de l'arbre de la main droite. Gardez le bras droit légèrement plié.
- Tenez la poignée avec la main gauche. Gardez le bras gauche bien droit.
- Tenez l'appareil à hauteur de votre taille.



Fig. 6

## CONSEILS POUR OBTENIR LES MEILLEURS RÉSULTATS

- Assurez-vous que l'appareil ne vise personne ou qu'il n'y a aucun débris avant de le démarrer.
- Portez une protection auditive afin de réduire le risque de perte auditive liée au niveau de sonore de l'appareil.
- Utilisez le matériel électrique uniquement à des heures raisonnables, c'est-à-dire ni trop tôt le matin ni tard le soir quand les gens pourraient être dérangés. Respectez les horaires des règlements locaux. Les recommandations habituelles sont de 9 h à 17 h, du lundi au samedi.
- Afin de réduire les niveaux de bruit, limitez le nombre de pièces d'équipement utilisées en tout temps.
- Afin de réduire les niveaux de bruit, faites fonctionner les souffleuses électriques à la vitesse minimale possible pour effectuer la tâche.
- Utilisez des râteliers et des balais pour dégager les débris avant de les souffler.
- Dans des endroits poussiéreux, humidifiez légèrement les surfaces.
- Épargnez l'eau en utilisant des souffleuses électriques plutôt que des boyaux pour les applications de pelouse et de jardin, y compris dans de nombreux endroits comme les moustiquaires, les patios, les grilles, les porches et les jardins.
- Faites attention aux enfants, aux animaux, aux fenêtres ouvertes et aux voitures fraîchement lavées, et soufflez les débris en lieu sûr.
- Nettoyez après l'utilisation de souffleuses et d'autres équipements. Jetez les résidus de manière appropriée.
- Utilisez la buse pour les endroits difficiles à atteindre, comme les coins dans un garage, ou pour contrôler la poussière dans un environnement poussiéreux (Fig. 7).

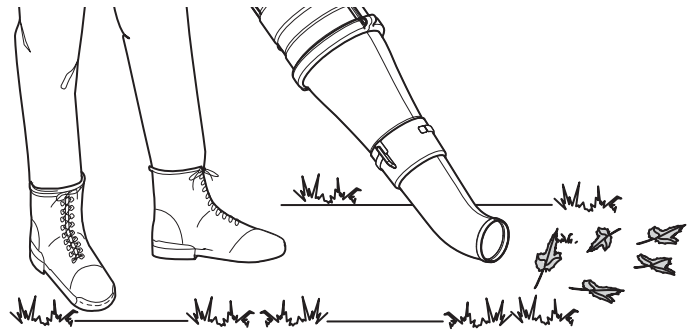


Fig. 7

### NETTOYAGE



**AVERTISSEMENT** : Afin d'éviter des blessures graves, arrêtez toujours l'appareil et laissez-le refroidir avant tout nettoyage ou entretien.



**AVERTISSEMENT** : N'utilisez pas de détergents agressifs. Des produits d'entretien ménagers contenant des huiles aromatiques, telles que le pin ou le citron, et des solvants tels que le kérosène, peuvent endommager le plastique.

Utilisez une petite brosse ou un chiffon propre et sec pour nettoyer l'extérieur de l'appareil.

### ENTREPOSAGE

- N'entrez jamais un appareil à moteur à essence là où les vapeurs peuvent entrer en contact avec une source de flammes ou d'étincelles.
- Laissez l'appareil refroidir.
- Nettoyez soigneusement l'appareil et inspectez-le méticuleusement pour vérifier s'il n'y a pas de pièces détachées ou endommagées. Remplacez les pièces endommagées et serrez les vis, écrous et boulons.
- Rangez l'appareil sous clef pour éviter tout usage non autorisé et pour éviter qu'il soit endommagé.
- Rangez l'appareil à l'intérieur, dans un endroit sec et bien aéré.
- Entrez l'appareil hors de la portée des enfants.
- Pour suspendre l'accessoire à un crochet, installez l'anneau de suspension sur l'accessoire. Assurez-vous que le bouton de déclenchement est bien verrouillé dans l'un des orifices sur l'anneau de suspension.

## GARANTIE LIMITÉE DU FABRICANT POUR :

La garantie limitée énoncée ci-après est accordée par MTD LLC (« MTD ») et s'applique aux produits neufs achetés et utilisés aux États-Unis, ses possessions et territoires.

MTD garantit ce produit contre tout défaut de pièces et de main d'œuvre pendant une période de deux (2) ans à compter de la date d'achat initiale et s'engage à titre gratuit à réparer ou à remplacer, à sa discrétion, toute pièce présentant un défaut de pièces et de main d'œuvre. Cette garantie limitée s'applique uniquement si le produit a été utilisé et entretenu conformément aux instructions du manuel de l'opérateur livré avec le produit, et qu'il n'a pas fait l'objet d'une utilisation inadéquate, abusive, commerciale ou négligente, d'un accident, d'un entretien inapproprié, d'une modification, d'un acte de vandalisme, d'un vol, d'un incendie, d'une inondation ou d'un dommage découlant d'une catastrophe naturelle ou autre. Tout dommage découlant de l'installation ou de l'utilisation d'une pièce ou d'un accessoire non approuvé par MTD avec le(s) produit(s) couvert(s) dans le présent manuel annulera la garantie quant aux dommages qui en résulteraient. La présente garantie est limitée à quatre-vingt-dix (90) jours à compter de la date d'achat initiale d'un produit MTD utilisé à des fins locatives ou commerciales, ou toute utilisation produisant des revenus.

**OBTENTION DU SERVICE DE GARANTIE :** le service de garantie est disponible SUR PRÉSENTATION D'UNE PREUVE D'ACHAT AUPRES DE VOTRE CENTRE DE RÉPARATION LOCAL AGREE. Pour trouver le revendeur le plus proche, visitez notre site Internet sur [www.mtdproducts.com](http://www.mtdproducts.com) ou [www.mtdproducts.ca](http://www.mtdproducts.ca), consultez les pages jaunes, téléphonez au **1-800-800-7310** ou **1-800-668-1238** au Canada, ou adressez un courrier à P.O. Box 361131, Cleveland, OH 44136-0019. Aucun produit retourné directement à l'usine ne sera accepté si le service à la clientèle de MTD n'a pas accordé une autorisation préalable et écrite au client.

### **Cette garantie limitée ne s'applique pas dans les cas suivants :**

- A. Mises au point : bougies, réglages du carburateur, filtres
- B. Éléments d'usure : boutons de butée, bobines extérieures, fil de coupe, moulinets, poulie du démarreur, câbles de démarreur, courroies d'entraînement, chaînes de scie, barres de guidage, couteaux de cultivateur, lames.
- C. MTD n'accorde aucune garantie pour les produits vendus ou exportés des États-Unis d'Amérique, ses possessions et territoires, à l'exception des produits vendus par le biais du réseau agréé de distribution à l'exportation de MTD.

MTD se réserve le droit de modifier ou d'améliorer la conception de ses produits sans pour autant assumer l'obligation de modifier tout produit de fabrication plus ancienne.

**Aucune garantie implicite, y compris toute garantie de qualité marchande ou d'adéquation à un usage particulier, n'est valable après la période applicable de la garantie expresse et écrite ci-dessus concernant les pièces qui sont identifiées. Aucune autre garantie expresse, écrite ou orale, à l'exception de celle mentionnée ci-dessus, accordée par toute personne ou entité, y compris un revendeur ou un distributeur, concernant tout produit ne peut engager MTD. Pendant la période de garantie, l'unique recours est la réparation ou le remplacement du produit dans les conditions énoncées ci-dessus.** (Certains états n'autorisent pas la limitation de la durée d'une garantie implicite ; de ce fait, les limitations ci-dessus peuvent ne pas vous concerner.)

**Les dispositions énoncées dans la présente garantie constituent le recours unique et exclusif inhérent à la vente. MTD ne sera pas tenu responsable des pertes ou dommages accessoires ou indirects, y compris sans aucune limite, les dépenses découlant de l'utilisation de services de remplacement ou de substitution pour l'entretien de votre pelouse, du transport ou des dépenses associées, ou de la location permettant le remplacement temporaire d'un produit garanti.** (Certains états n'autorisent pas la limitation de la durée d'une garantie implicite ; de ce fait, les limitations ci-dessus peuvent ne pas vous concerner.)

Aucun recouvrement de quelque nature qu'il soit ne pourra dépasser le prix d'achat du produit vendu. Toute modification des dispositifs de sécurité du produit annulera cette garantie. Vous assumez le risque et la responsabilité résultant d'une perte, d'un dommage ou d'un préjudice que vous et vos biens et /ou que d'autres personnes et leurs biens pourront encourir du fait de l'utilisation normale ou abusive ou de l'incapacité à utiliser ce produit.

Cette garantie limitée ne doit en aucun cas inclure toute personne autre que l'acheteur d'origine, le preneur initial ou la personne à laquelle le produit a été offert.

**Rapport de cette garantie avec les lois de chaque état :** la présente garantie vous confère certains droits juridiques spécifiques, et vous pouvez bénéficier d'autres droits qui varient d'un état à l'autre.

Pour trouver le centre de réparation le plus proche, composez le **1-800-800-7310** aux États-Unis ou le **1-800-668-1238** au Canada.

**MTD LLC**

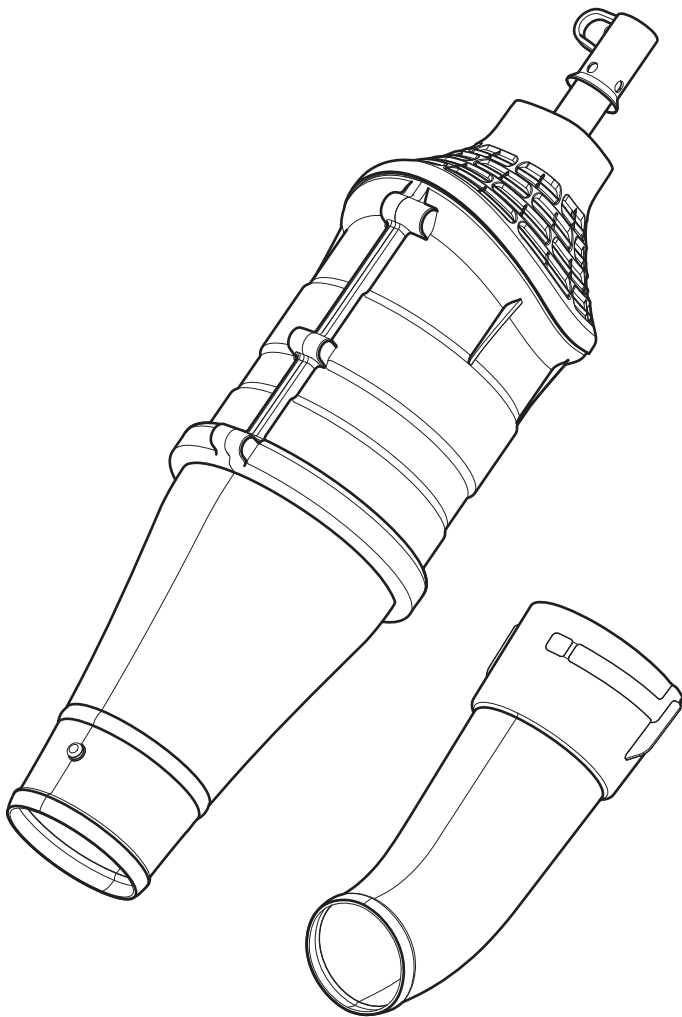
P.O. Box 361131  
Cleveland, OH 44136-0019

# Manual del Operador

## Accesorio soplador de alto rendimiento

### TABLA DE CONTENIDO

Servicio .....	.21
Seguridad .....	.22
Conozca su unidad .....	.25
Especificaciones .....	.25
Ensamblaje .....	.26
Operación .....	.28
Limpieza y almacenamiento .....	.29
Garantía .....	.32



## CONSERVE ESTAS INSTRUCCIONES

### SERVICIO

**NO DEVUELVA ESTA UNIDAD AL DISTRIBUIDOR. SE EXIGIRÁ COMPROBANTE DE COMPRA PARA LAS REPARACIONES Y EL MANTENIMIENTO QUE CUBRE LA GARANTÍA.**

Por ayuda en relación con el montaje, los controles, el funcionamiento o el mantenimiento de la unidad, llame al Departamento de Asistencia al Cliente al **1-800-800-7310** en los Estados Unidos o al **1-800-668-1238** en Canadá. Se puede encontrar información adicional sobre la unidad en nuestro sitio web: **www.mtdproducts.com** (EE. UU.) o **www.mtdproducts.ca** (Canadá).

Por reparaciones y mantenimiento, llame al Departamento de Asistencia al Cliente a fin de obtener la lista de distribuidores de servicio autorizados de su zona. La reparación y el mantenimiento de la presente unidad, tanto dentro del período de la garantía como después de él, sólo debe realizarlos un distribuidor de servicio autorizado y aprobado. Cuando le dé servicio use únicamente piezas de reemplazo idénticas.

Toda la información, las ilustraciones y las especificaciones contenidas en este manual se basan en la información más reciente disponible en el momento de impresión del manual. Nos reservamos el derecho de hacer cambios en cualquier momento sin aviso previo. Copyright © 2013 MTD SOUTHWEST INC. Todos los derechos reservados.

**IMPORTANTE: Lea este manual por completo antes de utilizar este producto. Siga todas las instrucciones.**

## SEGURIDAD

El propósito de los símbolos de seguridad es llamar la atención sobre posibles peligros. Los símbolos de seguridad y sus explicaciones merecen toda su atención y comprensión. Las advertencias de seguridad no eliminan de por sí ningún peligro. Las instrucciones o advertencias que dan no sustituyen las medidas adecuadas de prevención de accidentes.

**Lea el manual del operador y siga todas las advertencias e instrucciones de seguridad. No hacerlo puede ocasionar lesiones graves al operador y/o a las personas presentes.**

### SÍMBOLO SIGNIFICADO

	<b>PELIGRO:</b> Indica un peligro EXTREMO. El no obedecer una señal de seguridad de <b>PELIGRO</b> <b>TRAERÁ COMO CONSECUENCIA</b> que usted u otras personas puedan sufrir lesiones graves o la muerte.
	<b>ADVERTENCIA:</b> Indica un peligro GRAVE. El no obedecer una señal de <b>ADVERTENCIA</b> de seguridad <b>PUEDE</b> conducir a que usted u otras personas sufran graves lesiones.
	<b>PRECAUCIÓN:</b> Indica un peligro MODERADO. El no obedecer una señal de <b>PRECAUCIÓN</b> de seguridad <b>PUEDE</b> conducir a daños a la propiedad o a que usted u otras personas se lesionen.

**NOTA:** Indica información o instrucciones de vital importancia para la operación o el mantenimiento del equipo.

## • INSTRUCCIONES DE SEGURIDAD IMPORTANTES •

### LEA TODAS LAS INSTRUCCIONES ANTES DE OPERAR LA UNIDAD

	<b>ADVERTENCIA:</b> Al usar la unidad deben seguirse todas las normas de seguridad. Lea estas instrucciones antes de operar la unidad a fin de garantizar la seguridad del operador y de cualquier otra persona presente. Guarde estas instrucciones para poder usarlas más adelante.
--	---

- Lea cuidadosamente y entienda el manual del operador de la unidad que impulsa a este acople.
- Lea detenidamente las instrucciones. Familiarícese con los controles y el uso adecuado de la unidad.
- No opere esta unidad si está cansado, enfermo o bajo los efectos del alcohol, drogas o medicamentos.
- Los niños no deben operar la unidad. Los adolescentes deben estar acompañados y supervisados por un adulto.
- Todos los accesorios de protección y seguridad deben estar instalados adecuadamente antes de comenzar a operar la unidad.
- Inspeccione la unidad antes de utilizarla. Reemplace las piezas dañadas. Verifique que no haya fugas de combustible. Asegúrese de que todos los sujetadores estén en su sitio y asegurados. Cambie las piezas rajadas, melladas o dañadas de cualquier forma. No opere la unidad si hay piezas flojas o dañadas.

- Inspeccione cuidadosamente el área antes de encender la unidad. Elimine todos los escombros y los objetos duros o filosos tales como cristales, alambres, etc.
- Tenga en cuenta el riesgo de lesiones a la cabeza, las manos y los pies.
- Aleje a los niños, personas presentes y animales domésticos del área; manténgalos fuera de un radio de 50 pies (15 m) como mínimo. Aún así es posible que se arriesguen a ser golpeados por los objetos lanzados. Sugiera a los presentes usar protección para los ojos. Si alguien se le acerca, pare la unidad inmediatamente.

## ADVERTENCIAS DE SEGURIDAD PARA UNIDADES DE GASOLINA



**ADVERTENCIA:** La gasolina es sumamente inflamable y, de prenderse, sus vapores pueden hacer explosión. Tome las siguientes precauciones:

- Almacene el combustible solo en los recipientes diseñados y aprobados específicamente para estos materiales.
- Pare siempre el motor y deje que se enfríe antes de llenar el tanque. Nunca quite la tapa del tanque de combustible ni eche combustible cuando el motor esté caliente. Antes de llenar el tanque, siempre afloje la tapa lentamente para disipar la presión del mismo.
- Mezcle o eche siempre el combustible en un área exterior bien ventilada y limpia, donde no haya chispas ni llamas. NO fume.
- No opere nunca la unidad si la tapa del combustible no está bien asegurada en su lugar.
- Evite el peligro de incendio debido a combustible derramado. Limpie de inmediato todo combustible derramado de la unidad antes de encenderla. Antes de arrancar el motor, aleje la unidad a una distancia de 30 pies (9.1 m) como mínimo del lugar de abasto de combustible. NO fume.
- No arranque ni use nunca la unidad dentro de una habitación o edificio cerrados. Inhalar los gases de escape puede ser fatal. Opere esta unidad solamente en un área exterior bien ventilada.

### AL OPERAR LA UNIDAD

- Use gafas o lentes de seguridad que cumplan con las normas actuales ANSI Z87.1 y estén marcados como tales. Use siempre protección para los oídos al operar esta unidad. Si la operación levanta polvo, lleve puesta una máscara facial o contra el polvo.
- Use pantalones largos y gruesos, botas, guantes y camisa de mangas largas. No use ropa holgada, alhajas, pantalones cortos, sandalias ni ande descalzo. Asegure su cabello por encima del nivel de los hombros.
- Ajuste la manija para que brinde el mejor agarre, si corresponde.
- Antes de arrancar la unidad, asegúrese de que la cuchilla no haga contacto con ningún objeto.
- Use la unidad únicamente a la luz del día o con buena luz artificial.
- Use la herramienta correcta. Use esta herramienta solamente con el propósito previsto.
- Sostenga siempre la unidad con ambas manos al operarla. Agarre firmemente ambos mangos o empuñaduras.
- No intente alcanzar demasiado lejos. Mantenga siempre una posición y equilibrio adecuados. Tenga cuidado al trabajar sobre escalinatas, cuevas empinadas o pendientes. Para evitar lesiones graves, no haga funcionar la unidad desde una escalera de mano o un techo.
- Mantenga las manos, la cara y los pies lejos de todas las partes móviles. No toque o trate de detener las piezas móviles.
- No opere la unidad a una velocidad mayor a la necesaria para la tarea. No haga funcionar la unidad a alta velocidad cuando no está en uso.
- No fuerce el equipo. El mismo trabajará mejor y con mayor seguridad si lo utiliza a la velocidad para la que ha sido diseñado.
- Pare siempre la unidad cuando posponga el trabajo o mientras camine entre diferentes zonas de corte.
- Si golpea o se enreda con un objeto extraño, pare de inmediato la unidad y verifique si hay algún daño. No ponga a funcionar el equipo sin reparar el daño. No opere la unidad si hay piezas flojas o dañadas.

- Use únicamente para esta unidad las piezas de repuesto y accesorios del fabricante original. Estas se encuentran disponibles en su distribuidor de servicio autorizado. El uso de cualquier pieza o accesorio no autorizado podría causar lesiones graves al usuario o daños a la unidad y anular la garantía.
- Mantenga limpia la unidad. Quite con cuidado cualquier resto de vegetación u otros residuos que puedan bloquear las piezas móviles.
- Si la unidad comienza a vibrar anormalmente, deténgala de inmediato. Inspeccione la unidad para encontrar la causa de la vibración. Generalmente, la vibración es un indicador de problemas.

### SEGURIDAD DE LA SOPLADORA

- No inserte nada en los pasos de aire, los tubos o la boquilla de la sopladora. No utilice la unidad si uno de los pasos de aire o tubos está tapado. Mantenga los pasos de aire libres de polvo, pelusa, pelo y cualquier cosa que pueda reducir la circulación de aire.
- No use la unidad para rociar líquidos, especialmente líquidos inflamables o combustibles, como la gasolina. No use la unidad en lugares donde esos líquidos están presentes.
- No use la unidad para rociar sustancias químicas, fertilizantes u otras sustancias que puedan contener materiales tóxicos.
- No apoye la unidad sobre ninguna superficie mientras está funcionando. La toma de aire puede levantar residuos y expulsarlos por el escape, dañando la unidad u otros bienes o causando lesiones graves a los observadores o al operador.
- Durante la operación, no apunte nunca la unidad en dirección a las personas, animales, ventanas o automóviles. Dirija siempre los residuos soplados lejos de las personas, animales, ventanas y automóviles.
- Tenga aún más cuidado al soplar residuos cerca de objetos sólidos como árboles, muros, vallas, etc. Siempre que pueda, sople en dirección opuesta a esos objetos y no hacia ellos.
- Tenga cuidado cuando trabaja cerca de plantas valiosas. La fuerza del aire soplado puede dañar a las plantas jóvenes.
- No intente nunca destapar una toma de aire mientras la unidad está funcionando.
- Mantenga el cabello, los dedos y otras partes del cuerpo alejados de las piezas móviles y las aberturas.

## OTRAS ADVERTENCIAS DE SEGURIDAD

- El mantenimiento de la unidad debe ser minucioso.
- No realice ningún procedimiento de mantenimiento que no figure en este manual. No intente reparar la unidad; no tiene piezas internas recambiables por el usuario.
- Nunca extraiga, modifique o deje inoperativo ningún dispositivo de seguridad que venga con la unidad.
- Antes de inspeccionar, limpiar, guardar o transportar la unidad, o de hacer tareas de reparación o mantenimiento o reemplazar alguna de sus piezas:
  1. Detenga la unidad.
  2. Asegúrese de que se hayan detenido todas las piezas móviles.
  3. Deje que la unidad se enfríe.
  4. Desconecte el cable de la bujía.
- Sujete la unidad durante el transporte.
- Nunca almacene la unidad con combustible en el depósito, en el interior de una construcción donde las emanaciones puedan alcanzar una llama abierta (luces piloto, etc.) o chispas (interruptores, motores eléctricos, etc.).

- Almacene la unidad en un lugar seco, asegurada o a una altura que evite que se la use sin autorización o se la dañe. Mantenga la unidad lejos del alcance de los niños.
- Nunca rocíe ni arroje chorros de agua ni de ningún otro líquido a la unidad. Mantenga las manijas secas, limpias y sin residuos. Limpie la unidad luego de cada uso. Consulte *Limpieza y almacenamiento*. No utilice solventes o detergentes fuertes.
- Guarde estas instrucciones. Consúltelas con frecuencia y úselas para capacitar a otros usuarios. Si le presta esta unidad a otras personas, también debe prestarles estas instrucciones.

# GUARDE ESTAS INSTRUCCIONES

## • SÍMBOLOS INTERNACIONALES Y DE SEGURIDAD •

Este manual del operador describe símbolos y pictografías internacionales y de seguridad que posiblemente aparezcan en este producto. Lea el manual del operador para informarse bien sobre la seguridad, ensamblaje, operación, mantenimiento y reparación.

### SÍMBOLO SIGNIFICADO

	<ul style="list-style-type: none"> <li>• <b>SÍMBOLO DE ALERTA DE SEGURIDAD</b> Indica peligro, advertencia o precaución. Puede utilizarse junto a otros símbolos o pictografías.</li> </ul>
	<ul style="list-style-type: none"> <li>• <b>LEA EL MANUAL DEL OPERADOR</b> <b>ADVERTENCIA:</b> Lea el o los manuales del operador y siga todas las advertencias e instrucciones de seguridad. No hacerlo puede ocasionar lesiones graves al operador y/o a las personas presentes.</li> </ul>
	<ul style="list-style-type: none"> <li>• <b>USE PROTECCIÓN PARA LOS OJOS Y OÍDOS</b> <b>ADVERTENCIA:</b> Los objetos lanzados y el ruido fuerte pueden ocasionar lesiones graves a los ojos y pérdida de la audición. Al operar esta unidad, use protección para los ojos que cumpla con la normas ANSI Z87.1 y protección para los oídos. De ser necesario, use un protector facial completo.</li> </ul>

### SÍMBOLO SIGNIFICADO

	<ul style="list-style-type: none"> <li>• <b>LOS OBJETOS ARROJADOS PUEDEN PROVOCAR LESIONES GRAVES</b> <b>ADVERTENCIA:</b> Los objetos pequeños pueden ser lanzados a gran velocidad y ocasionar lesiones.</li> </ul>
<p>Min. 50ft  (15m)</p>	<ul style="list-style-type: none"> <li>• <b>MANTENGA ALEJADOS A LOS PRESENTES</b> <b>ADVERTENCIA:</b> Mantenga a todos los presentes, especialmente a los niños y animales domésticos, a una distancia de al menos 50 pies (15 m).</li> </ul>
	<ul style="list-style-type: none"> <li>• <b>SOPLADORAS – LAS CUCHILLAS EN MOVIMIENTO PUEDEN CAUSAR LESIONES GRAVES</b> <b>ADVERTENCIA:</b> Detenga la unidad y deje que el rotor pare antes de cambiar los tubos, limpiar o realizar cualquier mantenimiento. Mantenga las manos y los pies alejados de las partes móviles.</li> </ul>



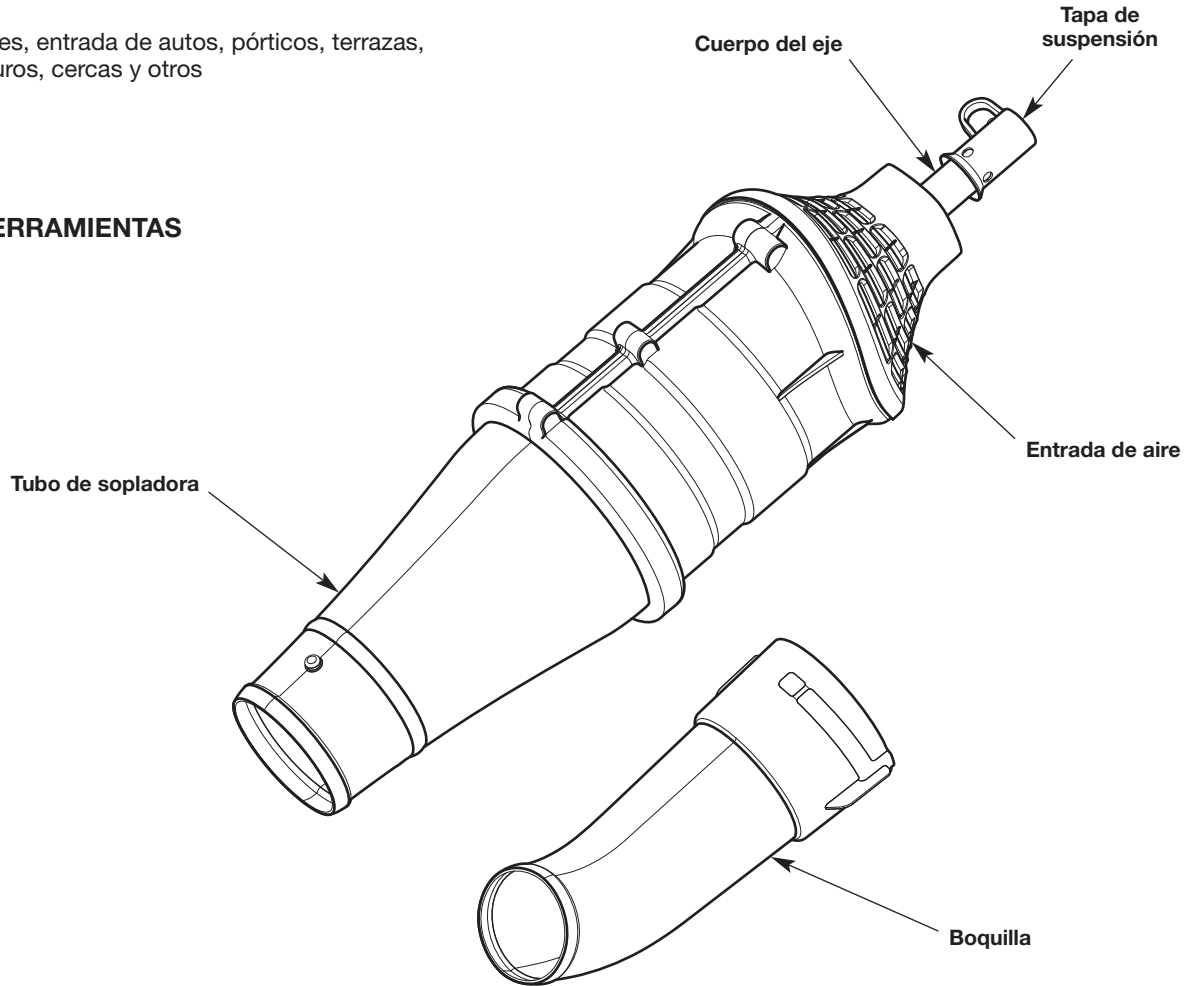
## CONOZCA SU UNIDAD

### USOS

Como sopladora:

- Limpieza de patios, garajes, entrada de autos, pórticos, terrazas, aceras, alrededores de muros, cercas y otros

**NO SE REQUIERE DE HERRAMIENTAS  
PARA EL ENSAMBLAJE**



## ESPECIFICACIONES\*

Peso aproximado de la unidad (sólo el accesorio) . . . . .	3 - 4 libras (1.4 - 1.8 kg)
Caudal de aire de la sopladora . . . . .	hasta 500 pies <sup>3</sup> /min (14 mm <sup>3</sup> )
Velocidad de aire de la sopladora . . . . .	hasta 95 mph (153 kmh)

\* Todas las especificaciones se basan en la información del producto más reciente disponible en el momento de la impresión. Nos reservamos el derecho de hacer cambios en cualquier momento, sin previo aviso.



**ADVERTENCIA:** Para evitar las lesiones personales graves, siga los pasos siguientes antes de instalar o retirar la boquilla:

- Deje que la unidad y el impelente se detengan por completo.
- Desconecte el cable de la bujía



**ADVERTENCIA:** Para evitar las lesiones personales graves, no inserte las manos en la boquilla o el tubo de la sopladora al retirar o instalar la boquilla.

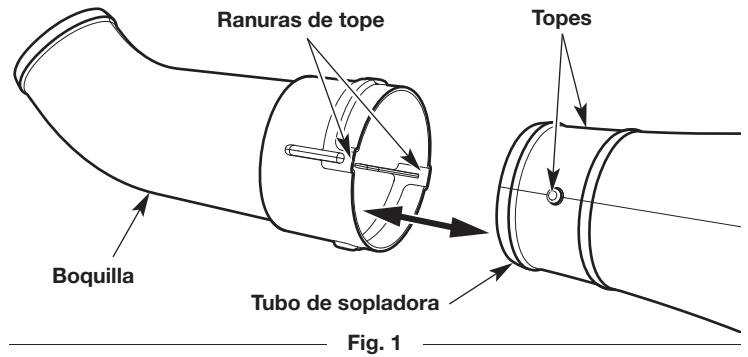


Fig. 1

## INSTALACIÓN Y RETIRO DE LA BOQUILLA

### Instalación de la boquilla

1. Alinee las ranuras de tope del interior de la boquilla con los topes del tubo de la sopladora (Fig. 1). Empuje la boquilla hacia el tubo de la sopladora.
2. Gire la boquilla hacia la derecha hasta que calce con un chasquido sonoro (Fig. 2).

### Retiro de la boquilla

1. Gire la boquilla hacia la izquierda hasta que se separa del tubo de la sopladora (Fig. 2).
2. Extraiga la boquilla del tubo de la sopladora (Fig. 2).

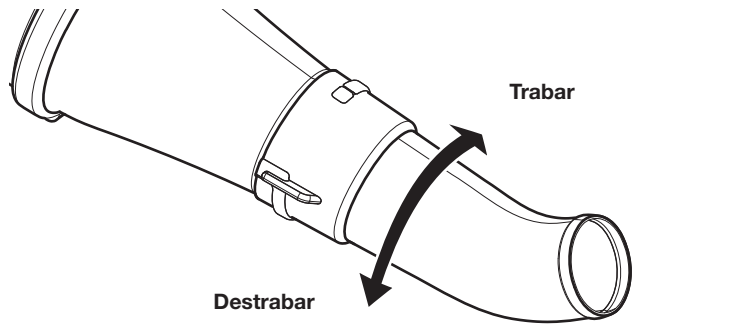


Fig. 2

**ADVERTENCIA:** No utilice este accesorio con una unidad eléctrica o accionada por batería. Hacerlo puede causar que el motor se sobrecaliente, lo que puede provocar daños a la unidad y posibles lesiones personales.

**ADVERTENCIA:** Antes de utilizar algún accesorio, lea y comprenda el manual adjunto. Siga todas las instrucciones de seguridad que contengan.

**ADVERTENCIA:** Para evitar lesiones personales graves y daños a la unidad, apague la unidad antes de quitar o instalar cualquier accesorio.

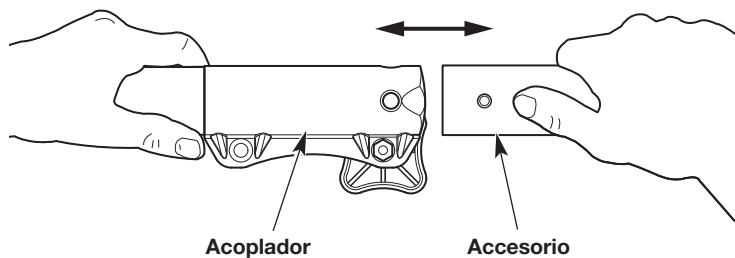


Fig. 3

## CÓMO OPERAR EL ACOPLADOR

El acoplador permite usar accesorios opcionales.

### Instalación del accesorio

1. Quite la tapa de suspensión del accesorio. Guarde la tapa de suspensión para utilizarla al almacenar el accesorio. De estar presente, extraiga el espaciador gris del acoplador.
2. Coloque la unidad en una superficie plana y nivelada.
3. Gire la perilla en el sentido contrario a las agujas del reloj para aflojar el acoplador (Fig. 4).
4. Alinee el botón de liberación con el embutimiento de la guía (Fig. 5).
5. Presione el accesorio directamente dentro del acoplador hasta que el botón de liberación encaje a presión firmemente del orificio principal (Fig. 5).
6. Gire la perilla en el sentido de las agujas del reloj para apretar el acoplador (Fig. 5).

**NOTA:** No ajuste demasiado la tuerca (Fig. 5).

**PRECAUCIÓN:** Antes de operar esta unidad, cerciórese de que el botón de desconexión esté completamente encajado en el agujero principal y de que la perilla esté firmemente apretada.

**PRECAUCIÓN:** El botón de desconexión debe estar encajado solamente en el orificio principal. Usar un orificio incorrecto podría ocasionar lesiones personales o daños a la unidad.

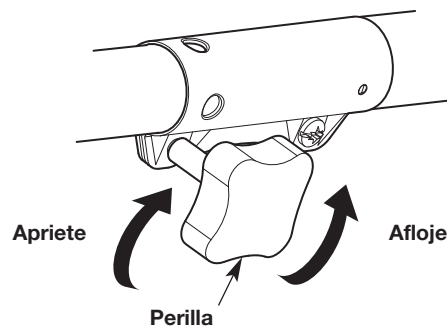


Fig. 4

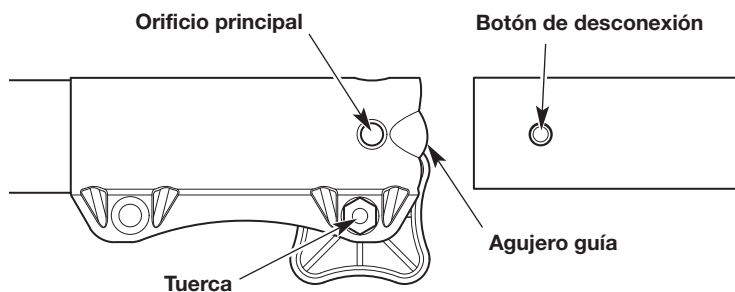


Fig. 5

### Cómo quitar el accesorio

1. Coloque la unidad en una superficie plana y nivelada.
2. Gire la perilla en el sentido contrario a las agujas del reloj para aflojar el acoplador (Fig. 4).
3. Oprima y mantenga apretado el botón de liberación (Fig. 5).
4. Tire del accesorio directamente hacia fuera del acoplador (Fig. 3).

## SUJETAR LA UNIDAD



**ADVERTENCIA:** Al operar esta unidad, lleve siempre puesta protección para los ojos, oídos, pies y cuerpo a fin de reducir el riesgo de lesiones.

- Párese en la posición de operación (Fig. 6).
- Sostenga la empuñadura del eje con la mano derecha. Mantenga el brazo derecho ligeramente flexionado.
- Sujete el mango con la mano izquierda. Mantenga el brazo izquierdo recto.
- Sujete la unidad a la altura de la cintura.



Fig. 6

## RECOMENDACIONES PARA MEJORES RESULTADOS

- Asegúrese que la unidad no apunte hacia desechos sueltos o personas antes de ponerla en marcha.
- Se requiere el uso de protección auditiva para reducir el riesgo de pérdida auditiva asociada con los niveles de sonido.
- Opere el equipo solamente durante horas razonables — no muy temprano en las mañanas ni muy tarde en las noches, cuando la gente se pueda molestar. Acate las horas detalladas en las ordenanzas locales. La recomendación usual es de 9:00 am a 5:00 pm, de lunes a sábado.
- Limite el número de equipos que se usen simultáneamente, para reducir los niveles de ruido.
- Opere las sopladoras motorizadas a la menor velocidad posible, para hacer el trabajo y reducir los niveles de ruido.
- Use rastrillos y escobas para esparcir los desechos antes de soplarlos.
- Cuando hay mucho polvo, humedezca ligeramente las superficies.
- Conserve agua mediante el uso de sopladoras motorizadas en vez de usar mangueras para muchas de las aplicaciones de prados y ajardinado, incluyendo áreas tales como canales, mallas, patios, parrillas, pórticos y jardines.
- Esté atento a los niños, las mascotas, las ventanas abiertas y los autos recién lavados; sople los residuos lejos de ellos.
- Limpie después de usar las sopladoras y otros equipos. Deposite los desechos en recipientes para la basura.
- Use la boquilla para los lugares difíciles de alcanzar, como los rincones de un garaje, o para controlar el polvo en un entorno polvoriento (Fig. 7).

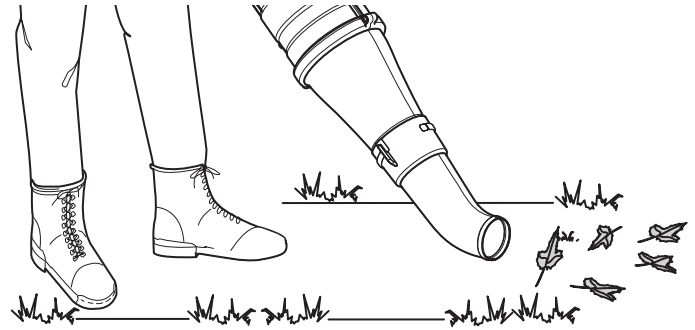


Fig. 7

## LIMPIEZA Y ALMACENAMIENTO

### LIMPIEZA



**ADVERTENCIA:** Para evitar lesiones personales graves, apague siempre la unidad y deje que se enfríe antes de limpiarla o darle mantenimiento.



**ADVERTENCIA:** No utilice detergentes fuertes. Los limpiadores caseros que contienen aceites esenciales, por ejemplo, de pino y limón, y los solventes como el queroseno, pueden dañar el plástico.

Use un cepillo pequeño o un paño limpio y seco para limpiar la unidad por fuera.

### ALMACENAMIENTO

- No guarde nunca la unidad con combustible en el tanque en un lugar en el que los gases puedan ponerse en contacto con una llama expuesta o chispas.
- Deje que la unidad se enfríe.
- Limpie bien la unidad y compruebe que no haya piezas sueltas o dañadas. Reemplace las piezas dañadas y ajuste los tornillos, tuercas o pernos sueltos.
- Guarde la unidad bajo llave para evitar su uso no autorizado o daño.
- Almacene la unidad en un espacio cerrado, en un lugar seco y bien ventilado.
- Guarde la unidad fuera del alcance de los niños.
- Para suspender el accesorio de un gancho, instale la tapa de suspensión sobre el accesorio. Asegúrese de que el botón de liberación esté firmemente trabado dentro de uno de los orificios de la tapa de suspensión.





## GARANTÍA LIMITADA DEL FABRICANTE PARA:

La garantía limitada que se extiende a continuación es otorgada por la empresa MTD LLC (MTD) y cubre mercaderías nuevas compradas y utilizadas en los Estados Unidos, sus posesiones y territorios.

MTD garantiza este producto por defectos materiales y de fabricación por un período de dos (2) años a partir de la fecha de la compra original y reparará o cambiará sin cargo cuando lo considere pertinente todas las piezas con defectos materiales o de fabricación. Esta garantía limitada sólo se aplicará si el producto ha sido operado y mantenido de acuerdo con las instrucciones del Manual del Operador que se proporciona con el producto y no ha sido sujeto a uso inapropiado, abuso, uso comercial, abandono, accidente, mantenimiento incorrecto, alteración, vandalismo, robo, incendio, inundación o algún daño debido a otro peligro o desastre natural. El daño resultante por la instalación o el uso de accesorios o uniones no aprobados por MTD para su uso con el(los) producto(s) incluido(s) en este manual anulará la garantía en lo que respecta a esos daños. La presente garantía se limita a noventa (90) días a partir de la fecha de la compra minorista original por cualquier producto MTD que se utiliza para fines comerciales o de alquiler, o para cualquier otro objetivo lucrativo.

**CÓMO SOLICITAR Y OBTENER SERVICIO TÉCNICO:** El servicio de la garantía está disponible, CON PRUEBA DE COMPRA A TRAVÉS DEL DISTRIBUIDOR LOCAL AUTORIZADO PARA EL MANTENIMIENTO. Para ubicar a un distribuidor en su área, visite nuestro sitio web en [www.mtdproducts.com](http://www.mtdproducts.com) o [www.mtdproducts.ca](http://www.mtdproducts.ca), consulte un listado en las Páginas Amarillas, llame al **1-800-800-7310** o al **1-800-668-1238** en Canadá, o escriba a P.O. Box 361131, Cleveland, OH 44136-0019. No se aceptará ningún producto que sea enviado directamente a la fábrica sin que haya una previa autorización por escrito emitida por el Departamento de Asistencia al Cliente de MTD.

### **Esta garantía limitada no suministra cobertura en los siguientes casos:**

- A. Puestas a punto – Bujías, ajustes al carburador, filtros
- B. Artículos de desgaste – Perillas de impacto, bobinas exteriores, hilo de corte, carretes interiores, polea de arranque, cuerdas de arranque, correas de transmisión, motosierras, barras de guía, dientes de la cultivadora, cuchillas.
- C. MTD no extiende ninguna garantía para los productos vendidos o exportados fuera de los Estados Unidos de América, sus posesiones y territorios, excepto para aquellos vendidos a través de los canales autorizados de distribución de exportaciones de MTD.

MTD se reserva el derecho a cambiar o mejorar el diseño de cualquier Producto MTD sin asumir ningún tipo de obligación de modificar ningún producto fabricado previamente.

**No se otorgan garantías implícitas, incluidas las garantías implícitas de comerciabilidad o de adecuación para un propósito determinado, después del período de garantía escrita expresa aplicable anteriormente mencionado para las piezas identificadas. MTD no se verá comprometido por ninguna otra garantía expresa, oral o escrita sobre un producto, excepto la mencionada anteriormente, extendida por personas físicas o personas jurídicas, incluidos los distribuidores o los minoristas. Durante el plazo de la garantía el único recurso es la reparación o el reemplazo del producto como se indicó anteriormente.** (Algunos estados no permiten las limitaciones a la duración de las garantías implícitas por lo que la limitación antes mencionada puede no serle de aplicación.)

**Las disposiciones incluidas en esta garantía proveen el recurso único y exclusivo que surge de las ventas. MTD no será responsable por pérdidas o daños incidentales o directos, incluyendo sin límites los gastos incurridos para los servicios de cuidado del pasto de reemplazo o cambio, los gastos de transporte o los gastos relacionados, o los gastos de alquiler para reemplazar de manera transitoria un producto bajo garantía.** (Algunos estados no permiten las limitaciones a la duración de las garantías implícitas por lo que la limitación antes mencionada puede no serle de aplicación.)

En ningún caso se obtendrá una compensación mayor al monto del precio de compra del producto adquirido. La alteración de las características de seguridad del producto anulará esta garantía. Usted asume el riesgo y la responsabilidad por las pérdidas, daños o lesiones que sufra Usted y sus bienes y / o otras personas y sus bienes como consecuencia del uso, del uso incorrecto o de la imposibilidad de uso de este producto.

Esta garantía limitada alcanza solamente al comprador original, al arrendatario original o a la persona que recibió el producto de regalo.

**Relación de la ley estadual con esta garantía:** Esta garantía le otorga derechos legales específicos, pero usted podría gozar de otros derechos que varían en cada estado.

Para ubicar su distribuidor de servicio más cercano, marque **1-800-800-7310** en los Estados Unidos o **1-800-668-1238** en Canadá.

**MTD LLC**

P.O. Box 361131

Cleveland, OH 44136-0019