
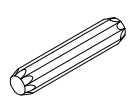


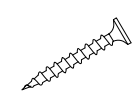
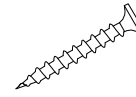
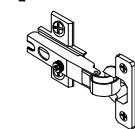
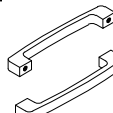



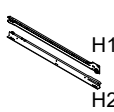
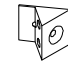
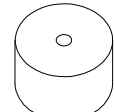
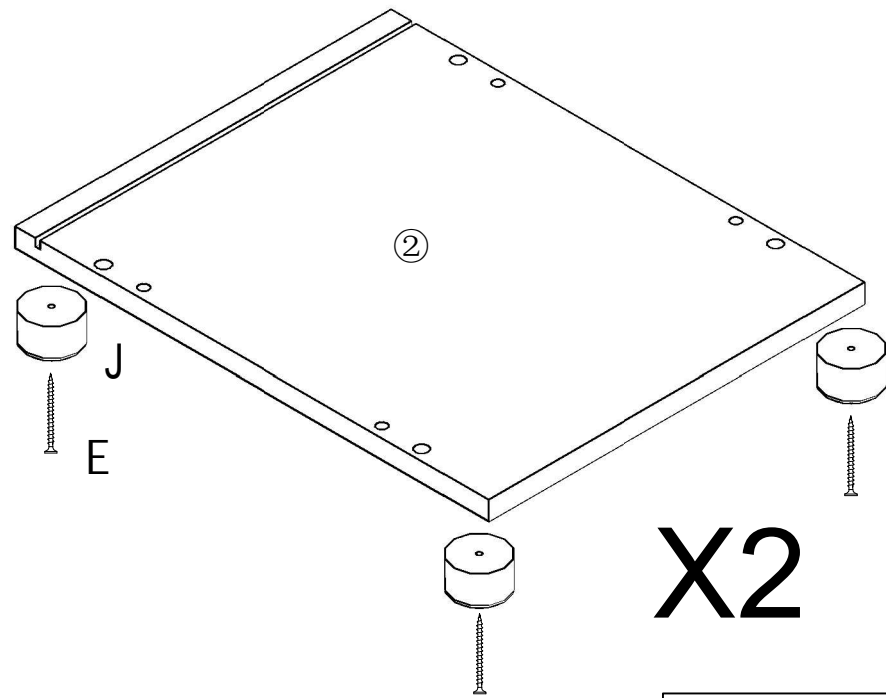


A  36PCS	B  20PCS	C M3.5*12  12PCS	D M3.5*14  44PCS	E M3.5*30  8PCS	F M3.5*35  16PCS	K  2PCS	L  5PCS	M M4*18  10PCS	N  16PCS
G 50mm  1PCS	H 300MM  4PCS	I  12PCS	J  8PCS						

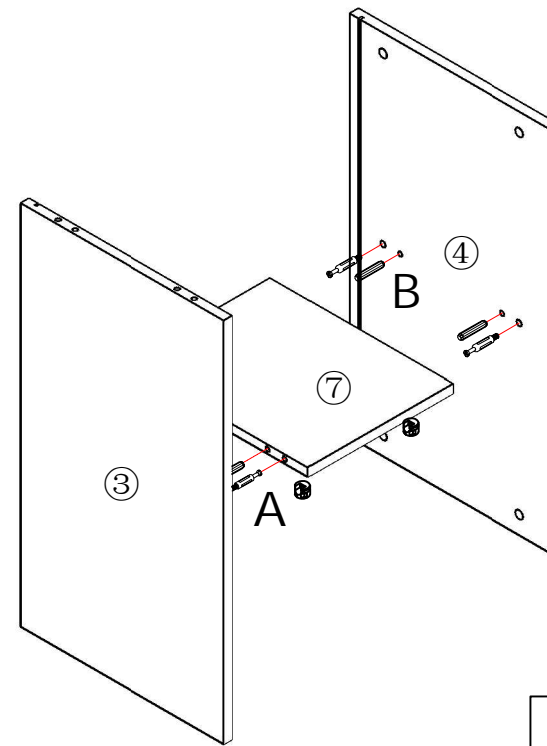
1



X2

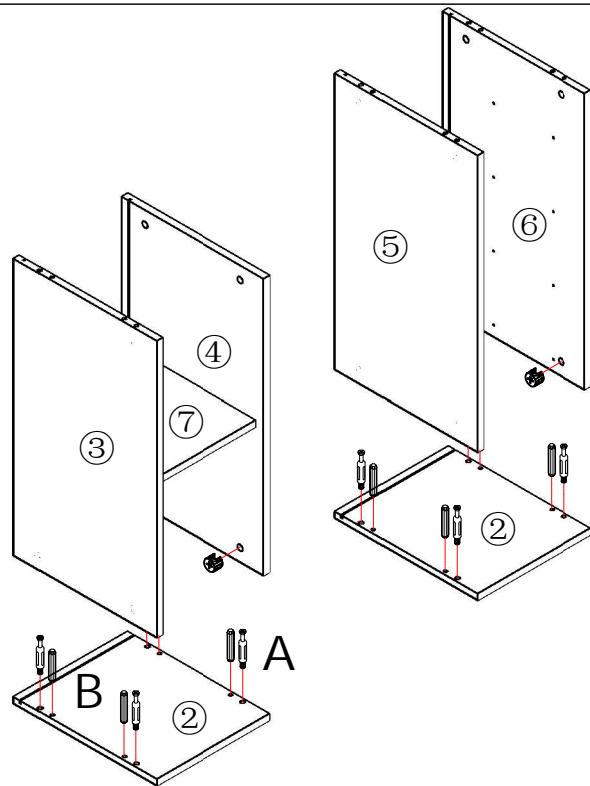
E*8 J*8

2



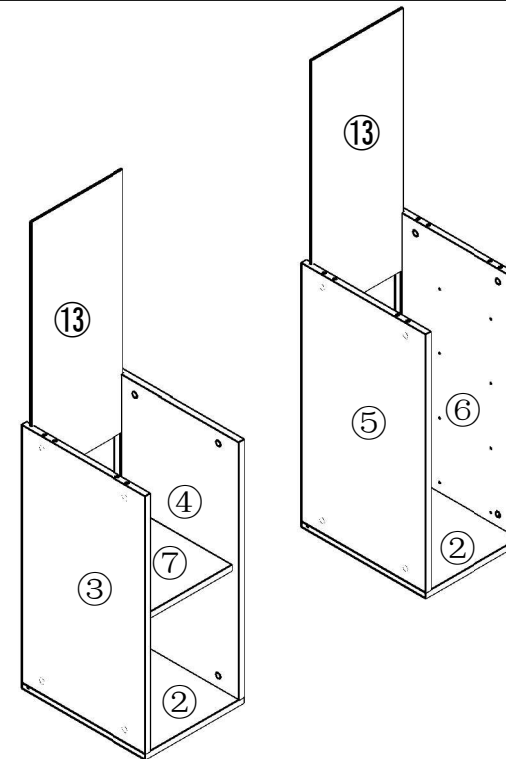
A*4 B*4

3

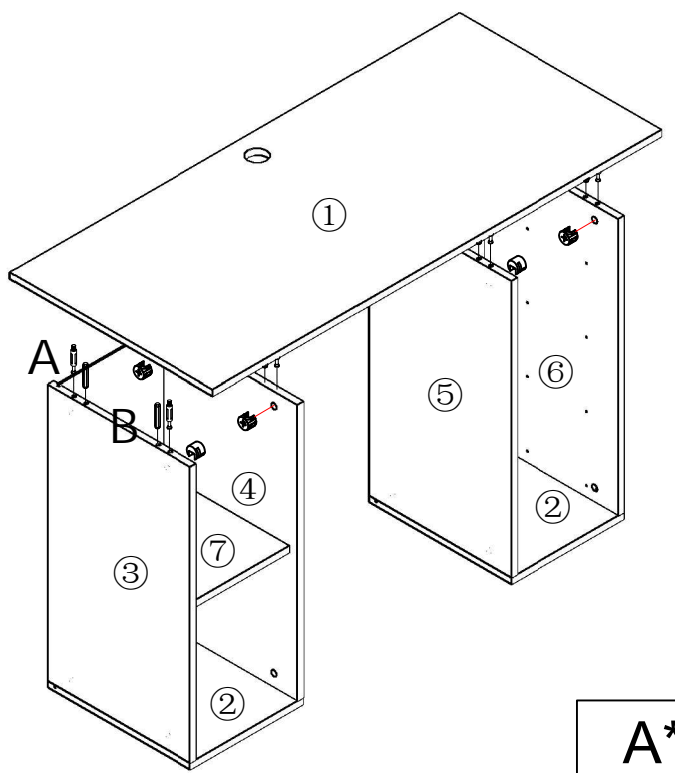


A*8 B*8

4

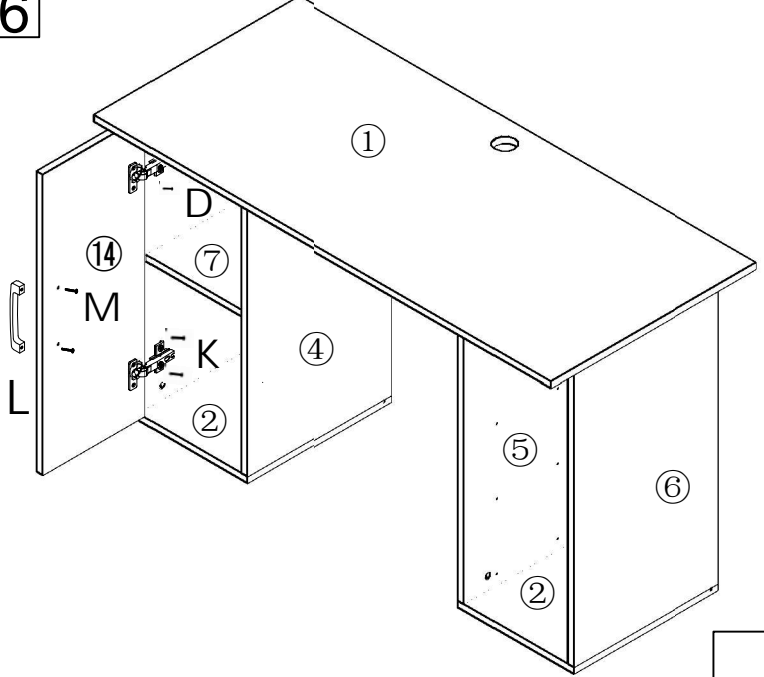


5



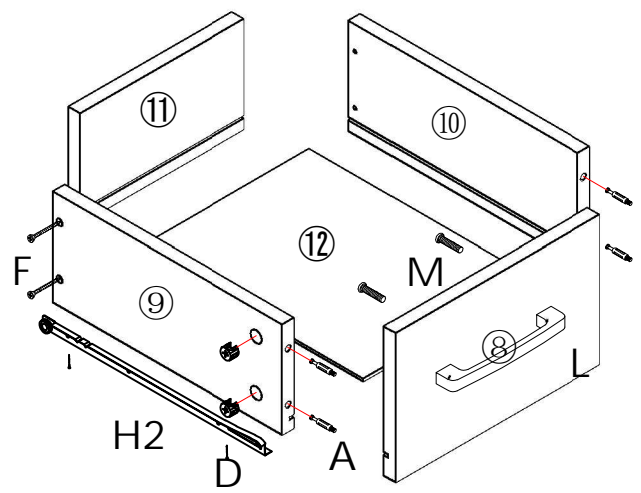
A*8 B*8

6



D*12 K*2
L*1 M*2

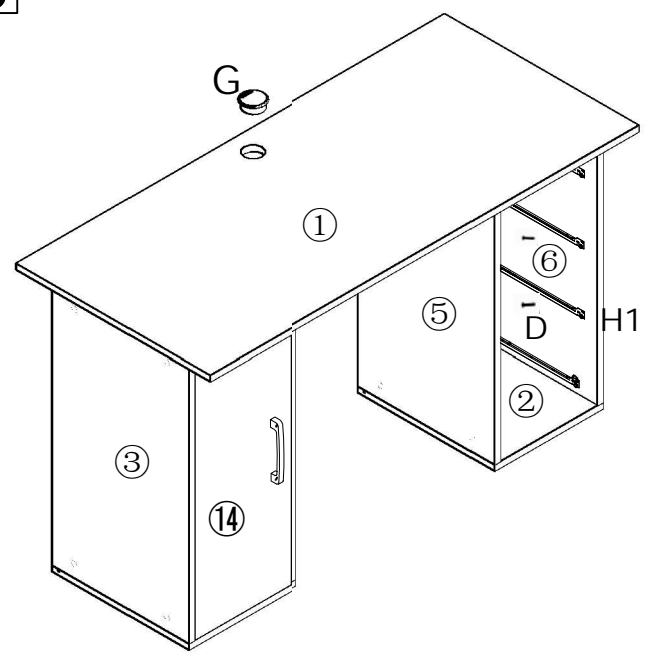
7



x4

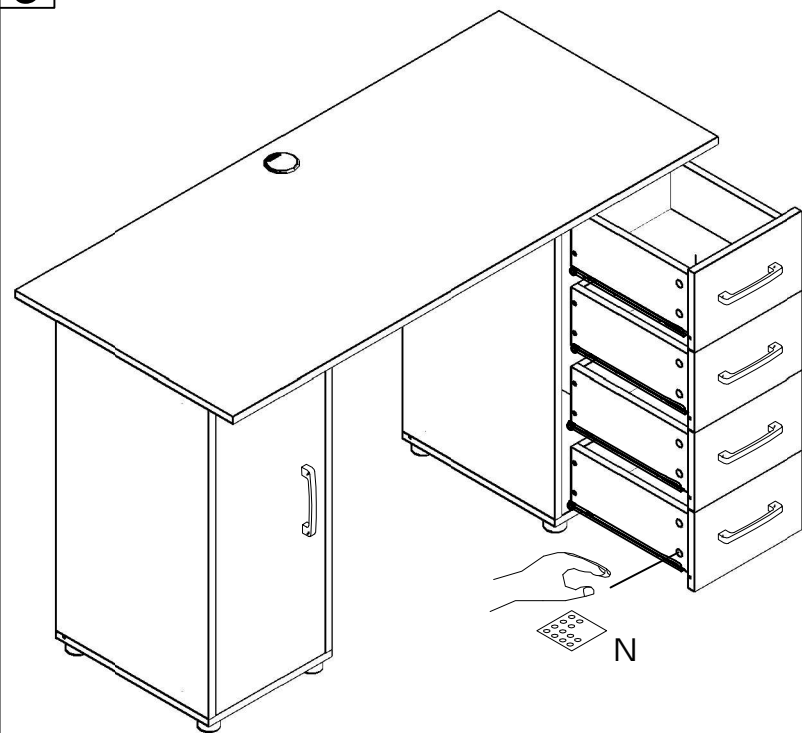
A*16 D*16 F*16
H2*8 L*4 M*8

8



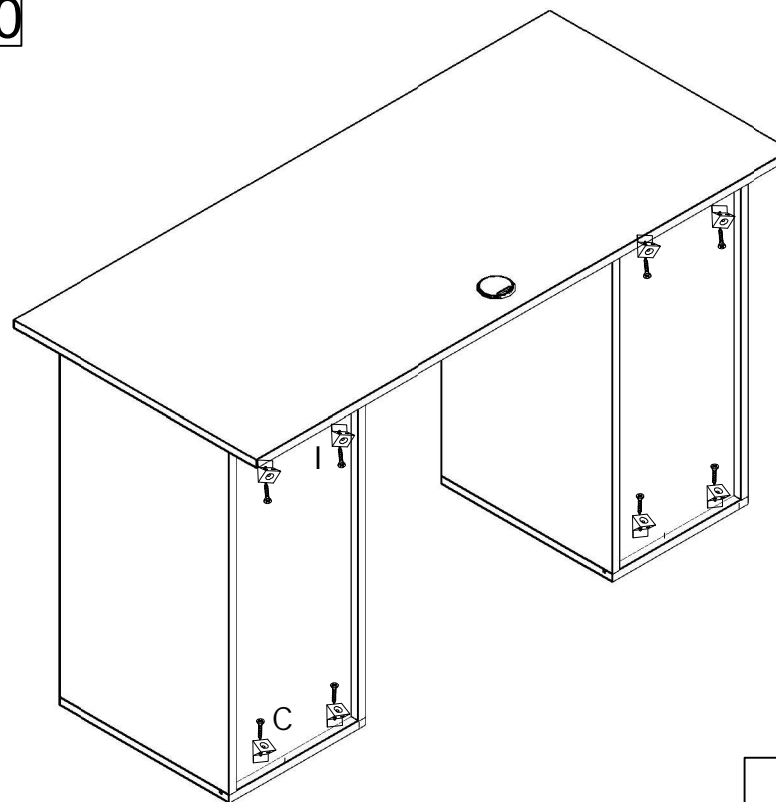
D*16 G*1
H1*8

9



N*16

10



C*12 I*12