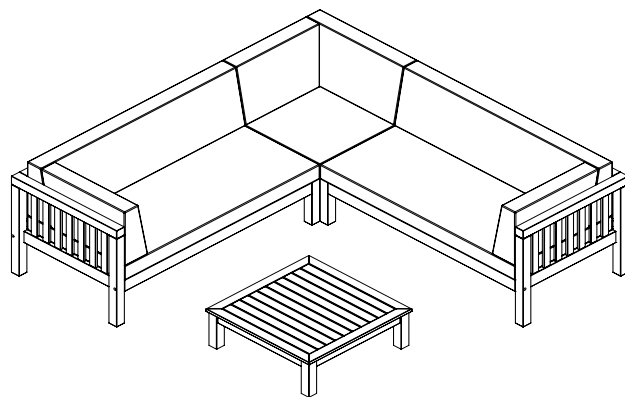
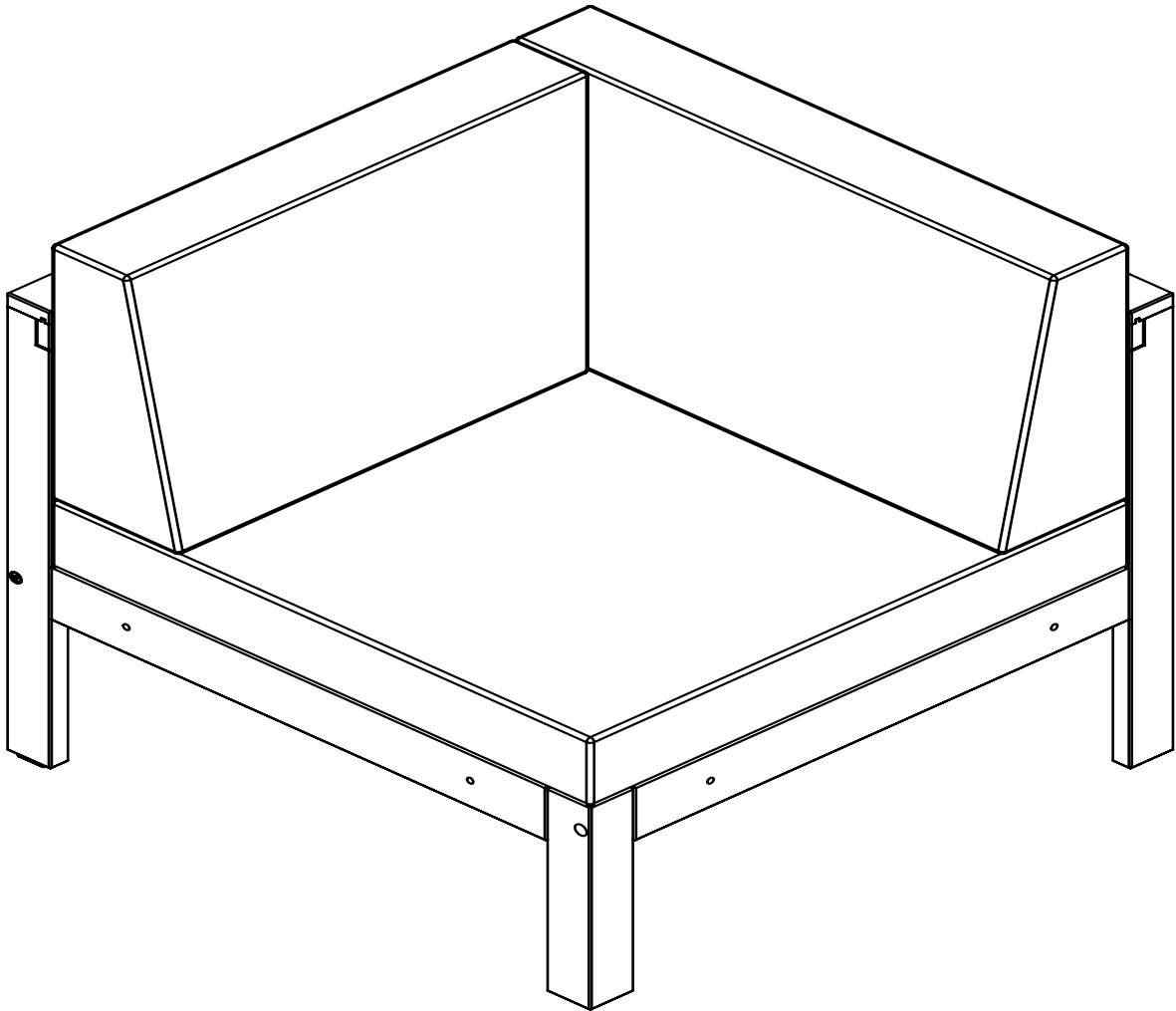
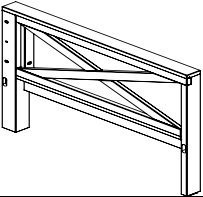
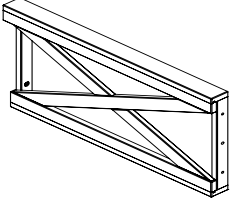
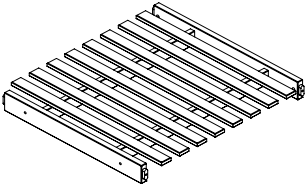
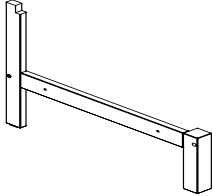
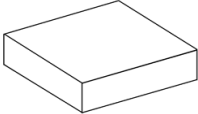
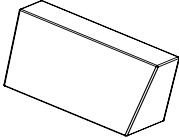
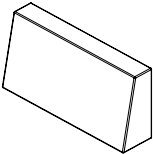


Assembly Instructions


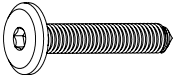




Oana Sectional set: Corner chair



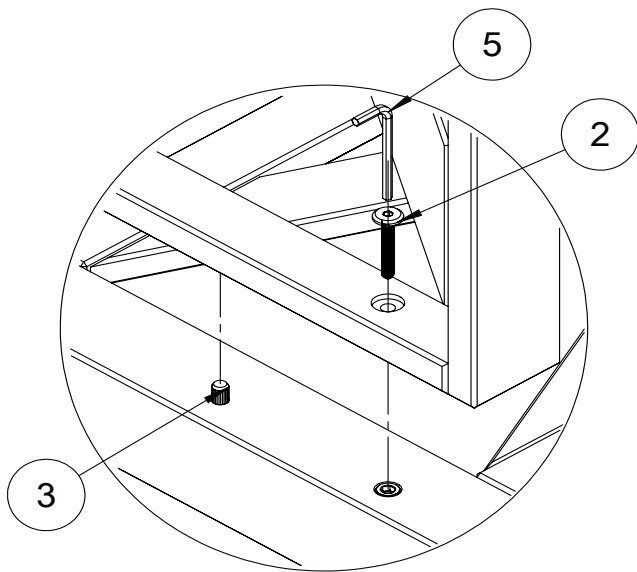
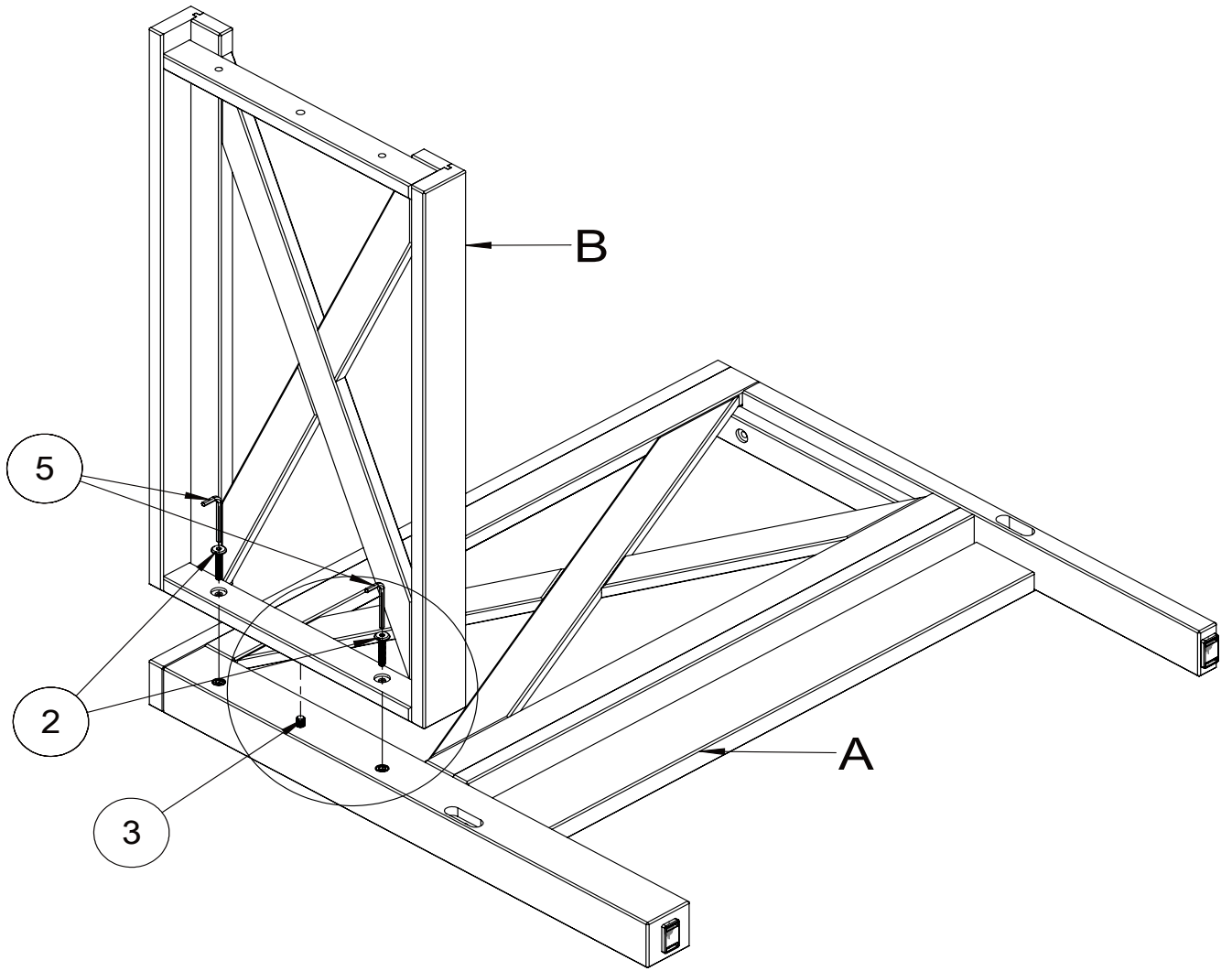
Parts List

No.	Picture	Description	Qty
A		Backrest Panel	1
B		Left Arm Panel	1
C		Right Arm Panel	1
D		Seat Panel	1
E		Seat Cushion	1
F		Left Back Cushion	1
G		Right Back Cushion	1

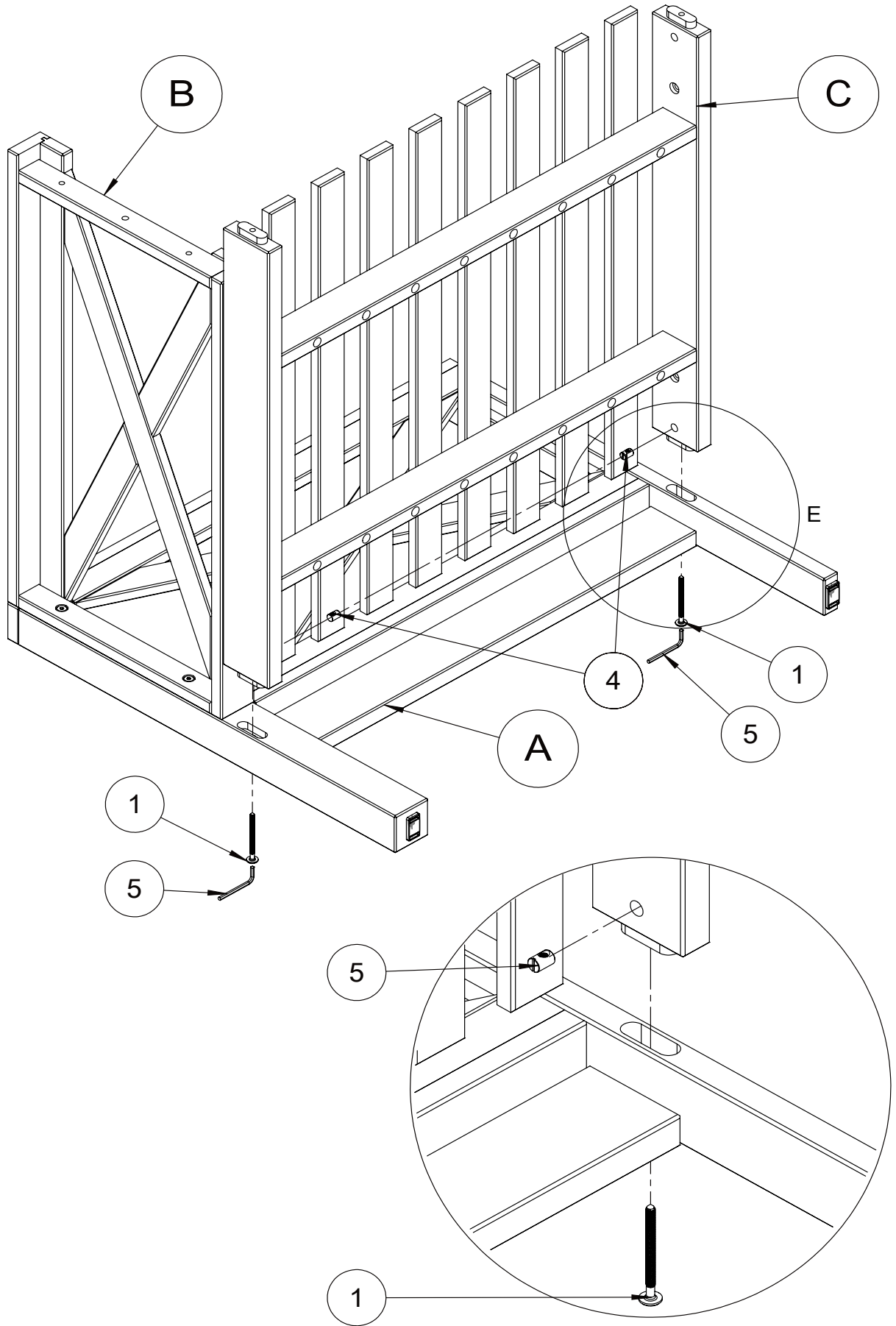
Hardware

1		Bolts (M6x70mm)	4
2		Bolts (M6x35mm)	4
3		Wood Dowel ($\Phi 8 \times 30\text{mm}$)	2
4		Nut ($\Phi 10 \times 14\text{mm}$)	4
5		Allen Key	1
6		Screw hole cover	2

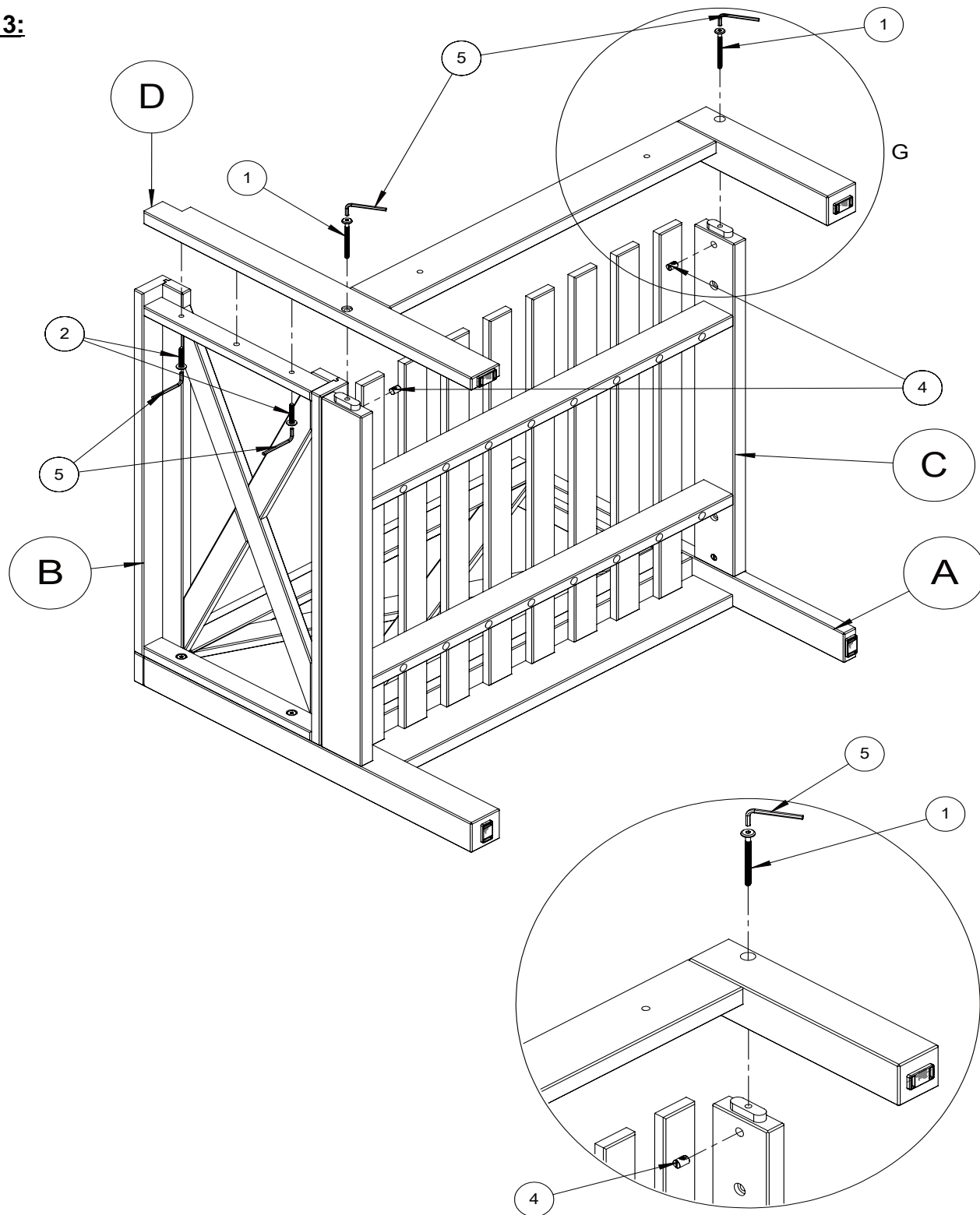
Step 1:



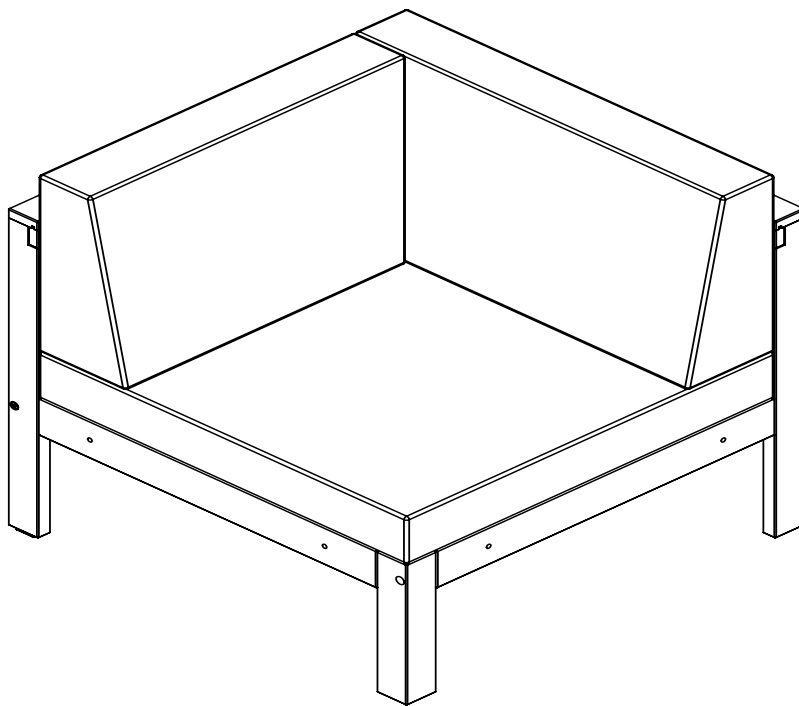
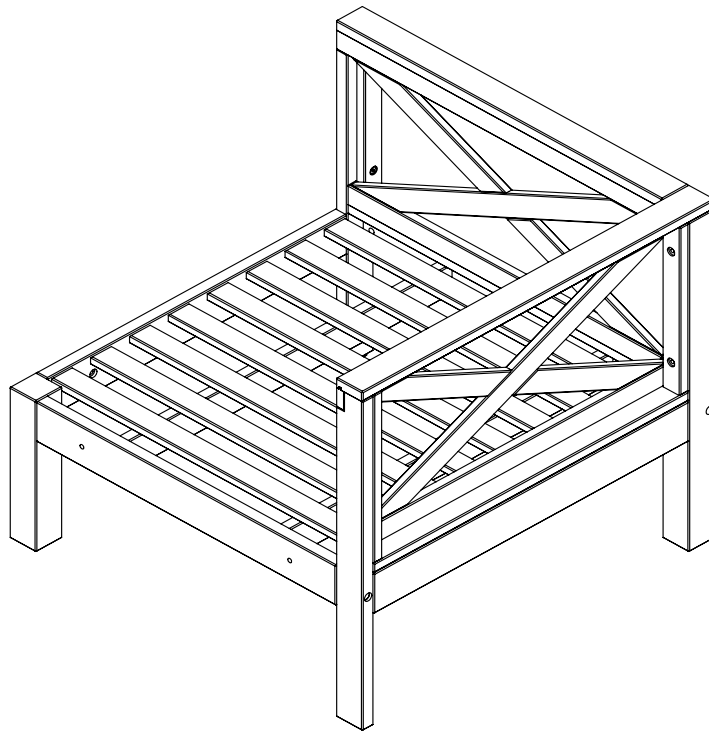
Step 2:



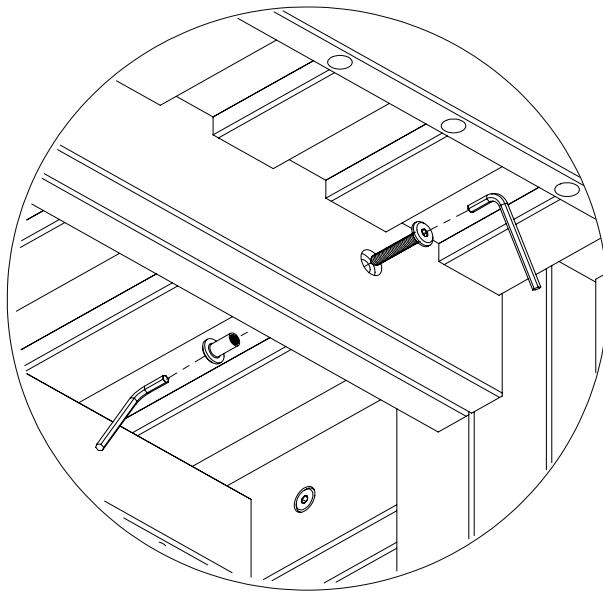
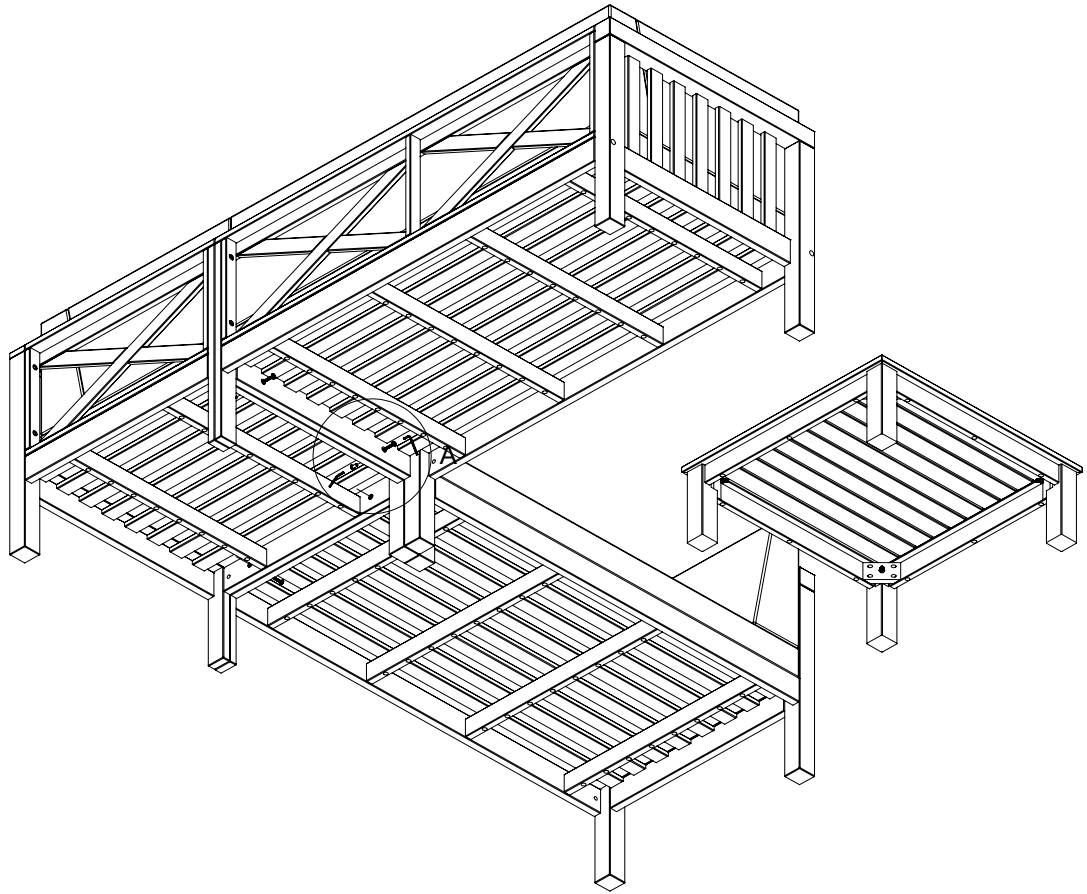
Step 3:



Step 4:

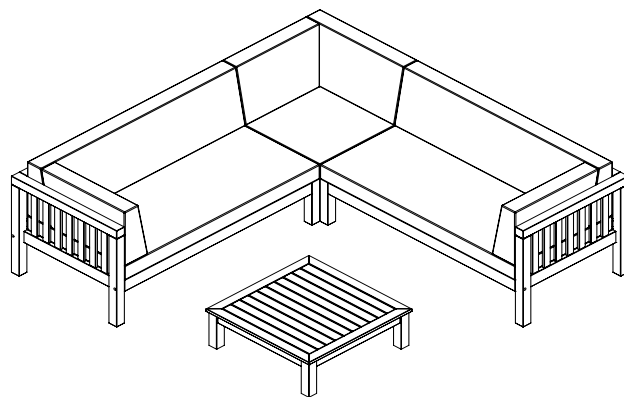
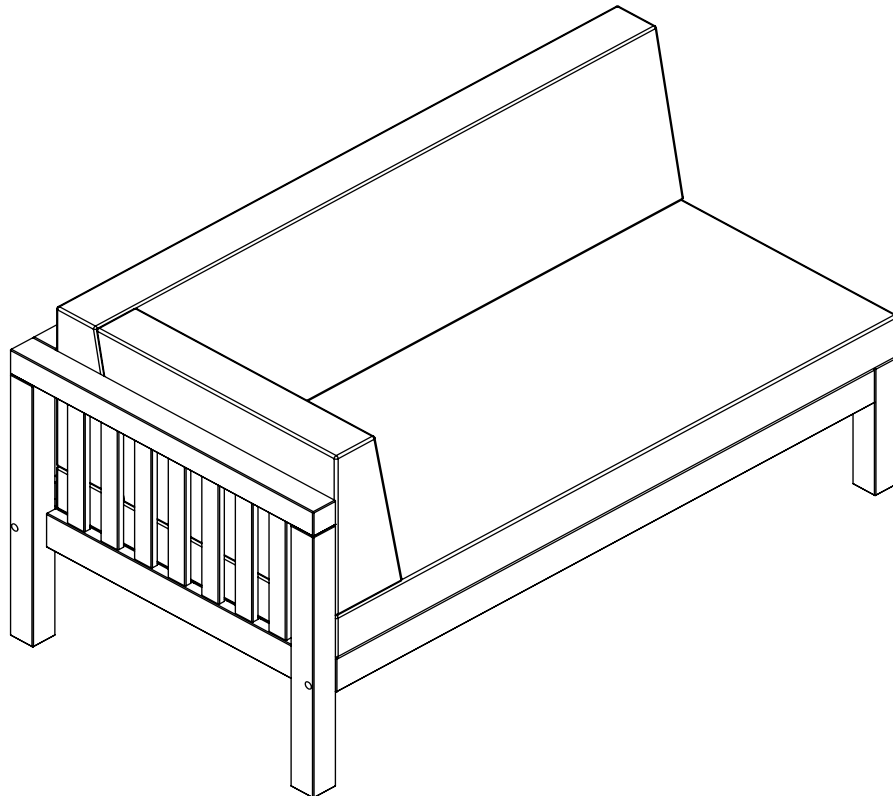


This is a guide when you want to link the corner chair to the 2 benches of Sectional set:

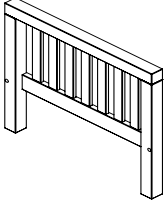
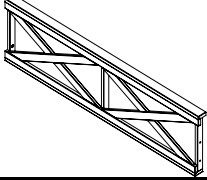
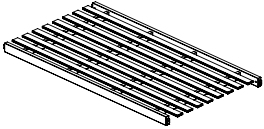
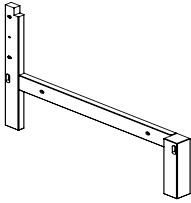
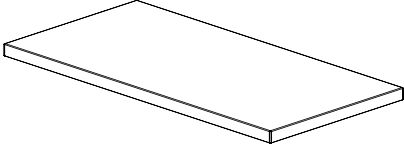
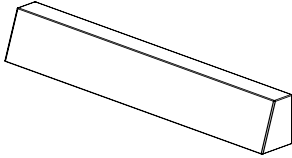
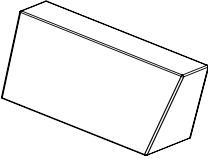


Assembly Instructions


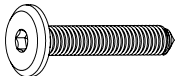




Oana Sectional set: Right/left behch



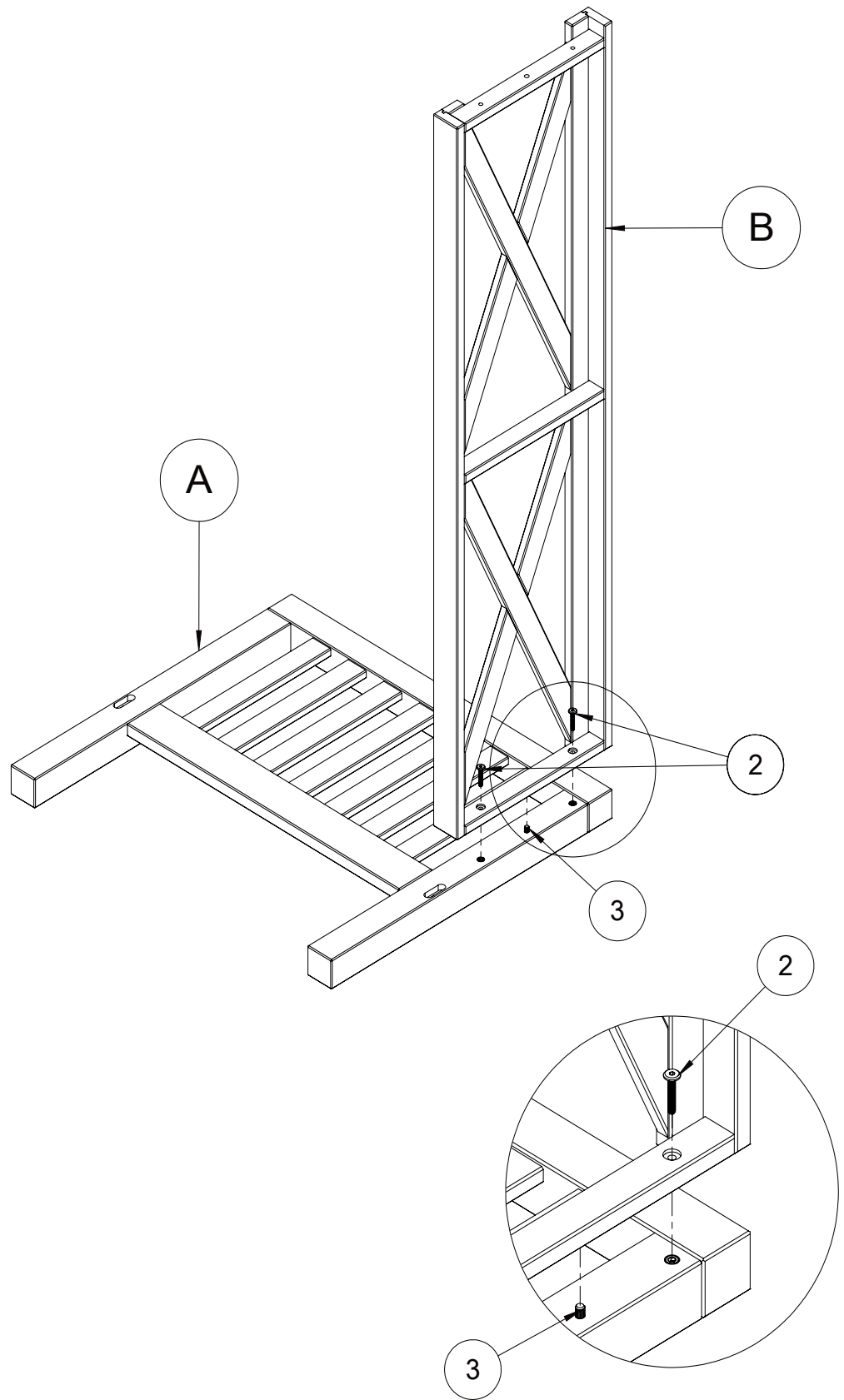
Parts List

A		Backrest Panel	1
B		Left Arm Panel	1
C		Right Arm Panel	1
D		Seat Panel	1
E		Seat Cushion	1
F		Back Cushion	1
G		Right/left Back Cushion	1

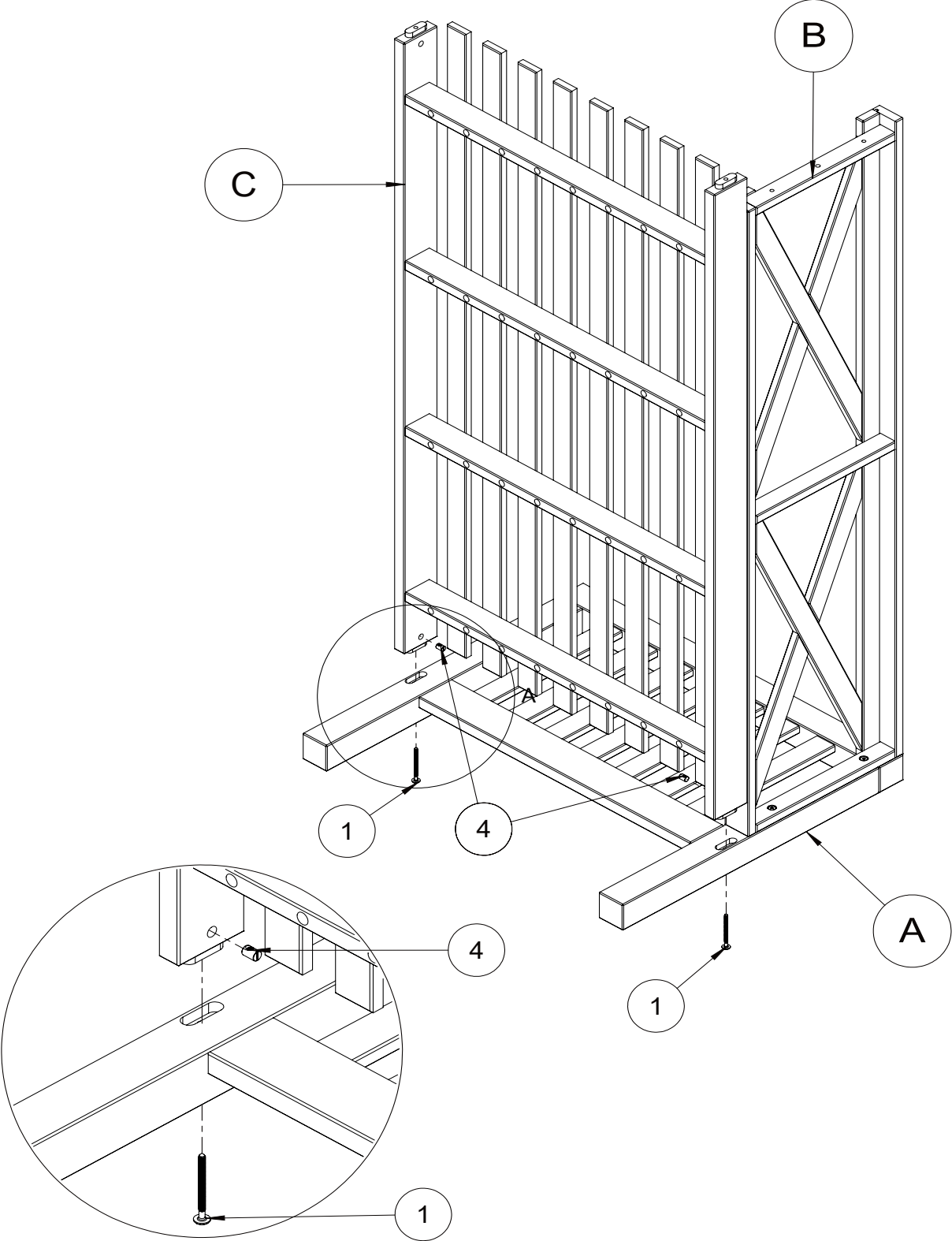
Hardware

1		Bolts (M6x70mm)	4
2		Bolts (M6x35mm)	4
3		Wood Dowel ($\Phi 8 \times 30\text{mm}$)	2
4		Nut ($\Phi 10 \times 14\text{mm}$)	4
5		Allen Key	1
6		Screw hole cover	2

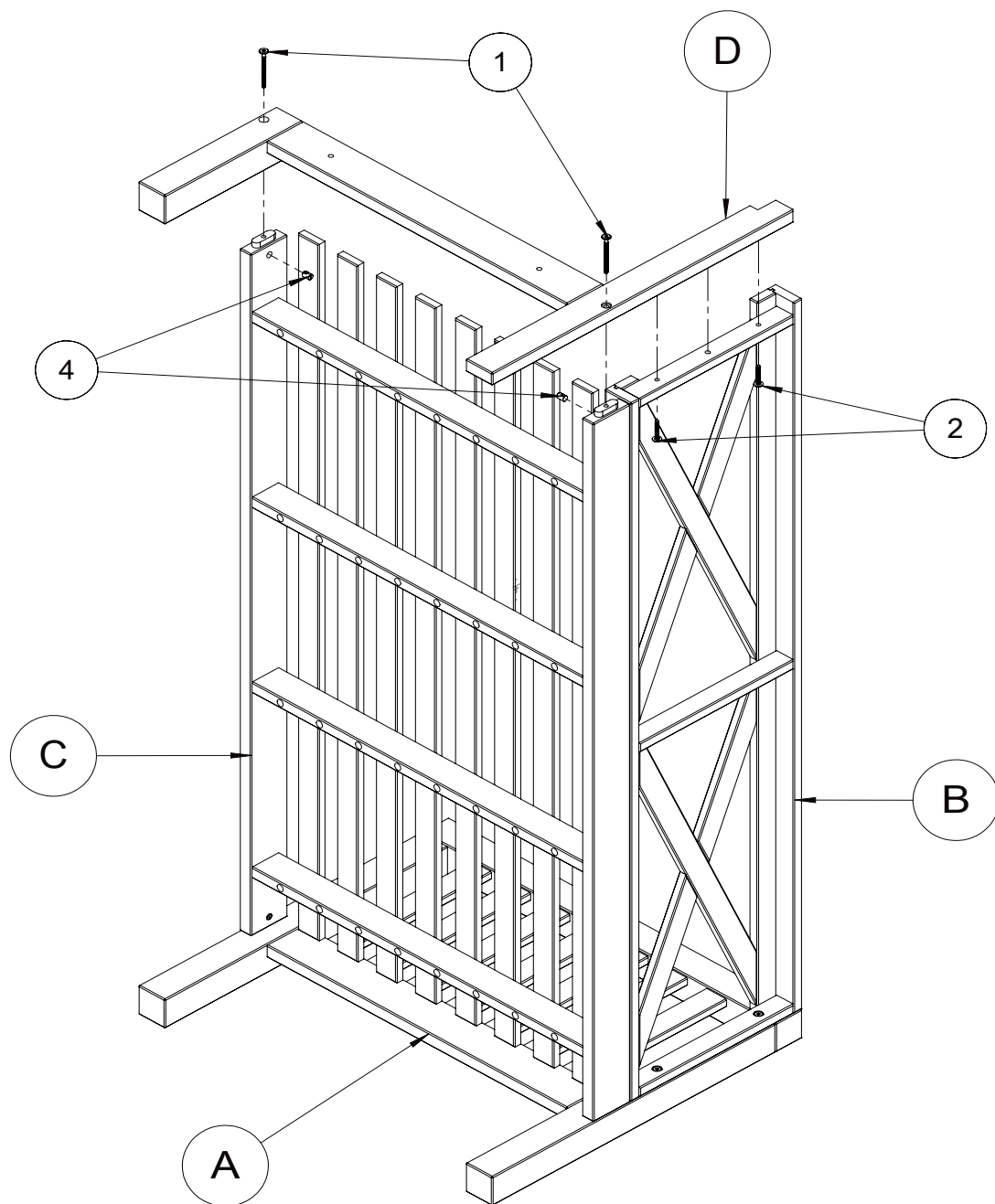
STEP 1:



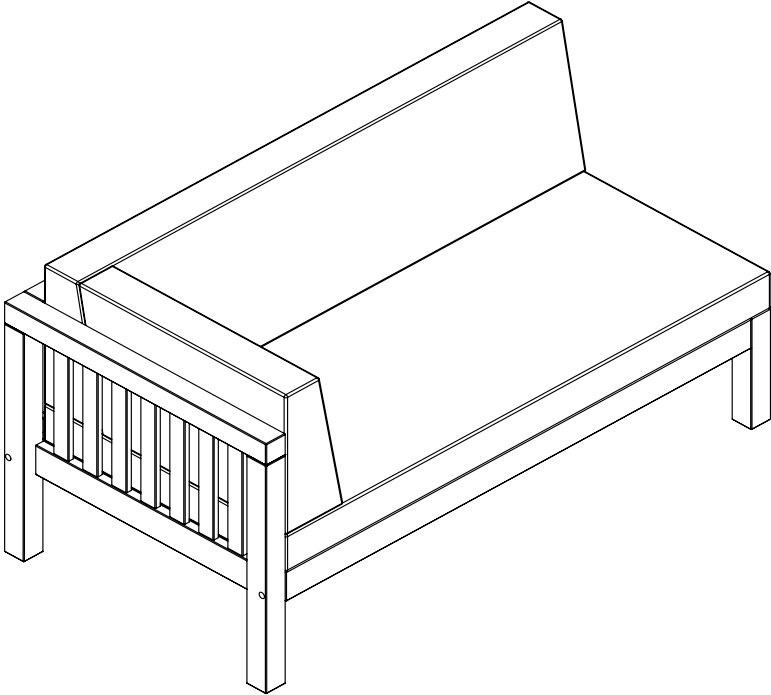
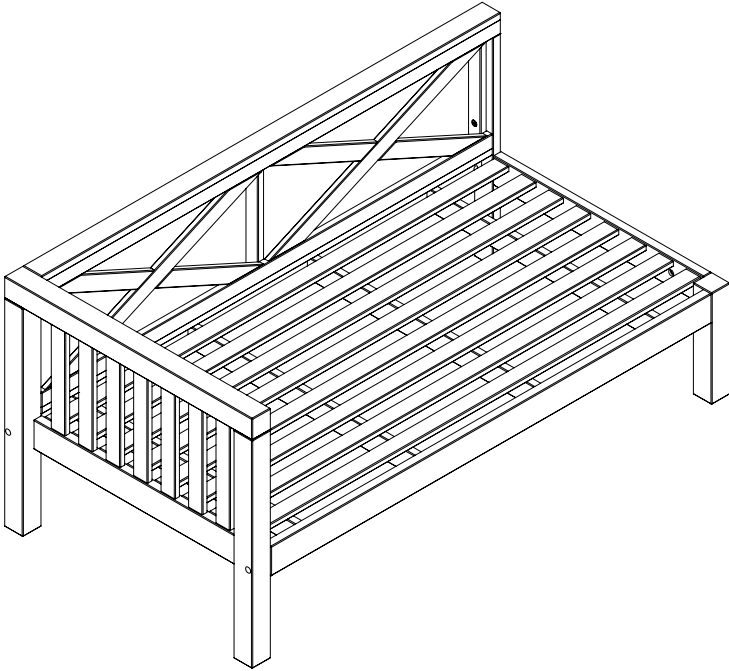
STEP 2:



STEP 3:

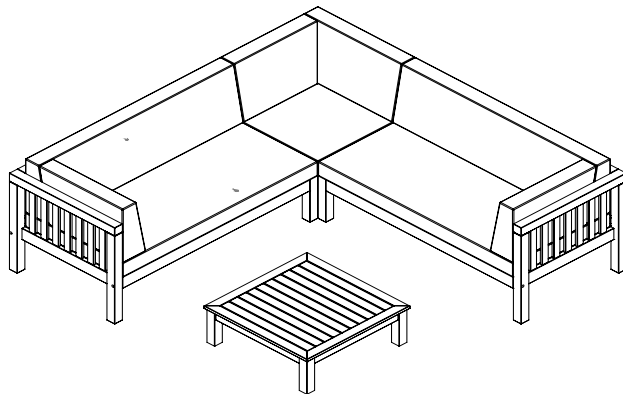
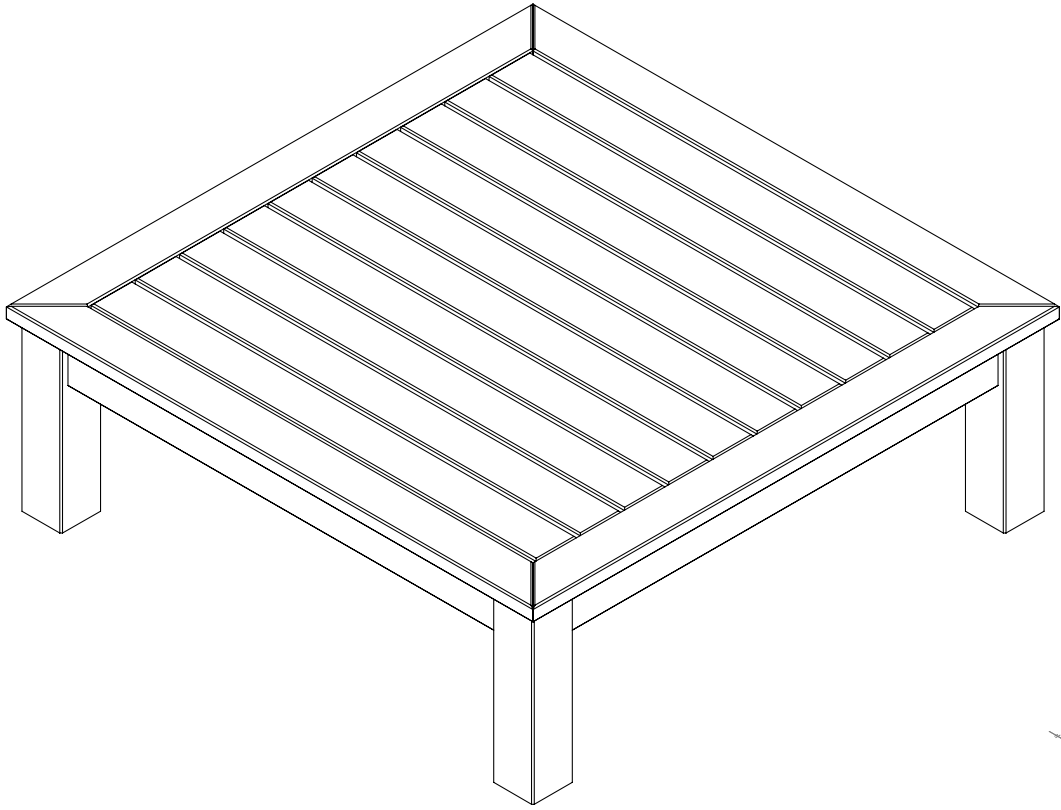


STEP 4:

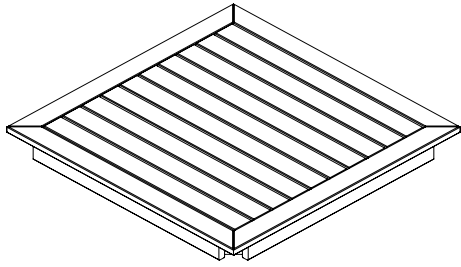


Assembly Instructions

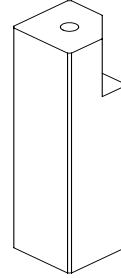
Oana Sectional set: Table



PARTS LIST:

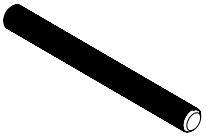


A x 1

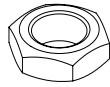


B x 4

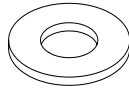
HARDWARES LIST:



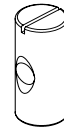
C x 4



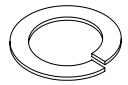
D x 4



E x 4



F x 4

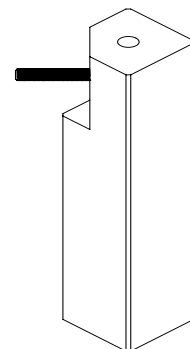
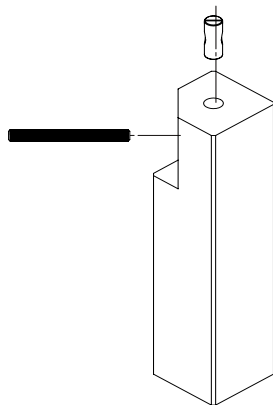


G x 4



H x 1

STEP 1:



STEP 2:

