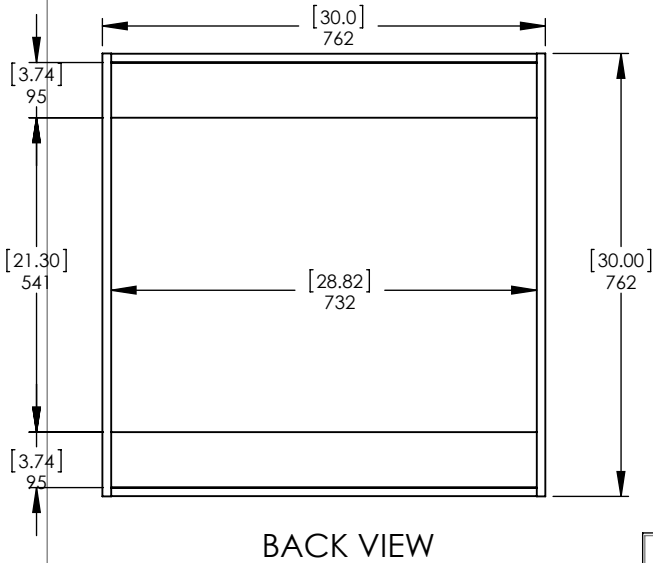
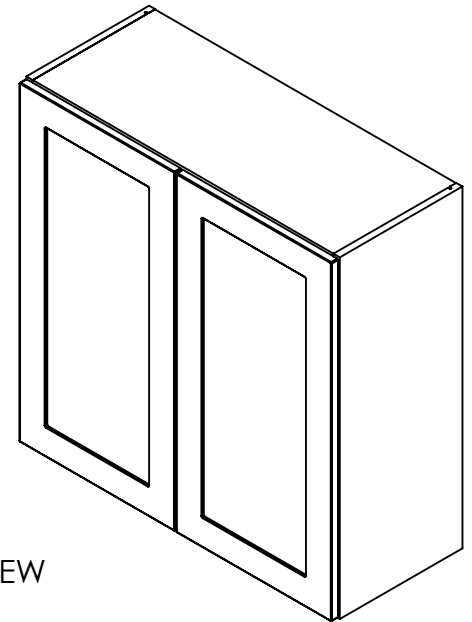
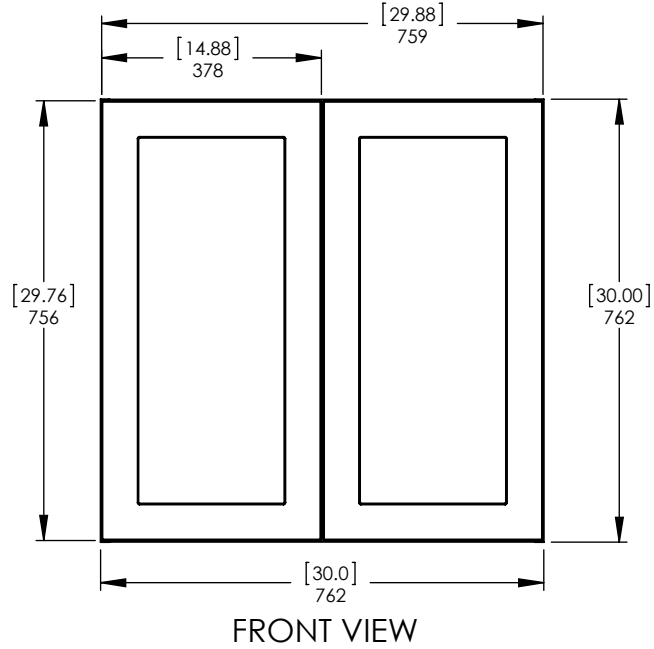
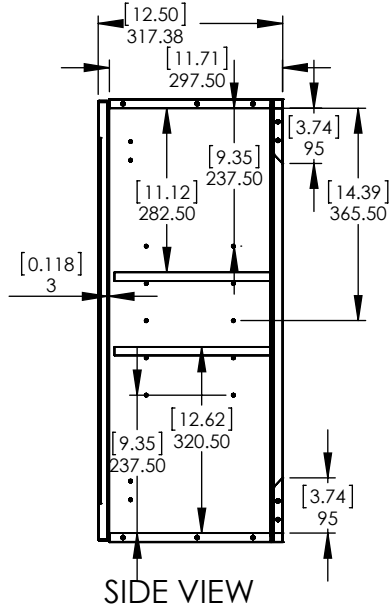


Item ID	Description
CM3030W-WH	Kitchens - Cambridge Wall Cabinet in White 30in W x 12.5 D x 30 H

Rev	ECO #	Description	REV'D BY DATE	CHK'D BY DATE	APRV'D BY DATE
0		New Release	KISM 9/30/16	KISM 9/30/16	KISM 9/30/16



PROPRIETARY AND CONFIDENTIAL
 THE INFORMATION CONTAINED IN THIS DRAWING IS THE SOLE PROPERTY OF WOODCRAFTERS. ANY REPRODUCTION IN PART OR AS A WHOLE WITHOUT THE WRITTEN PERMISSION OF WOODCRAFTERS IS PROHIBITED.

UNLESS OTHERWISE SPECIFIED
 DIMENSIONS ARE IN MM. AND (INCHES)
 TOLERANCES ARE
 + 0.039 [1] - 0.039 [1]
 SCALE:1:13

	NAME	DATE
DRAWN	Kadir S.	10/3/16
CHECKED	Kadir S.	10/3/16
ENG APPR.	V. Sanchez	

Wood Crafters

SIZE DWG. NO. **A** Wall_Cabinet_30in SHEET 1 OF 1
 REV. **1**