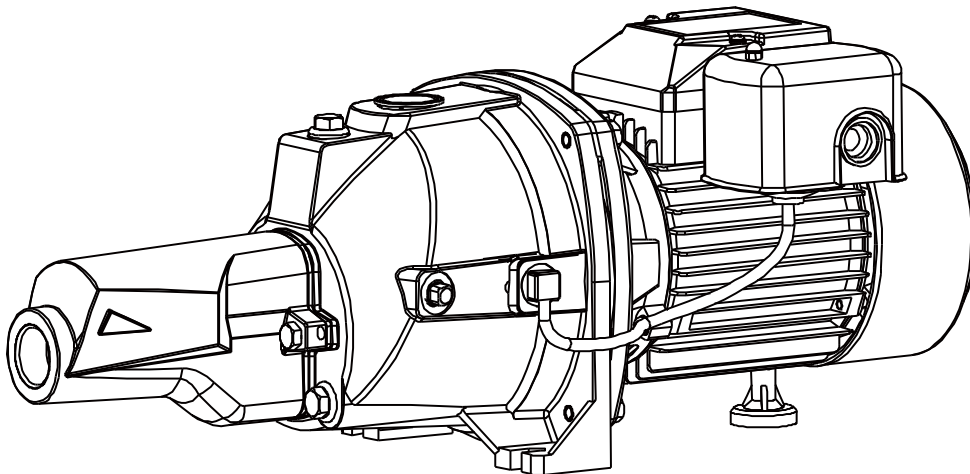


USE AND CARE GUIDE

CONVERTIBLE JET PUMP



Questions, problems, missing parts? Before returning to the store call
Everbilt Customer Service
8 a.m. - 6 p.m., EST, Monday-Friday

1-844-241-5521

WWW.HOMEDEPOT.COM

Rev. 07/09/19

THANK YOU

We appreciate the trust and confidence you have placed in Everbilt through the purchase of this convertible jet pump. We strive to continually create quality products designed to enhance your home. Visit us online to see our full line of products available for your home improvement needs. Thank you for choosing Everbilt!

Table of Contents

Table of Contents.....2
 Performance2
 Safety Information.....2
 Warranty.....3
 Pre-Installation.....4

Shallow Well Installation..... 5
 Pressure Switch Assembly Instructions..... 10
 Deep Well Installation..... 11
 Troubleshooting..... 17

Performance

SKU	HP	GPM of Water @ Total Discharge Pressure of 40 psi								Max. Pressure
		0 ft.	10 ft.	20 ft.	30 ft.	40 ft.	50 ft.	60 ft.	70 ft.	
1001480251	3/4	10.2	8.1	6.2	6.0	5.3	4.5	3.5	3.0	67 psi
1001480255	1	13	11	9.0	7.4	7.0	6.0	5.0	4.0	67 psi

Safety Information



DANGER: Do not pump flammable or explosive liquids such as oil, gasoline, kerosene, ethanol, etc. Do not use in the presence of flammable or explosive vapors. Using this pump with or near flammable liquids can cause an explosion or fire, resulting in property damage, serious personal injury, and/or death.



DANGER: ALWAYS disconnect the power to the pump before servicing.



DANGER: Do not touch the motor housing during operation. The motor is designed to operate at high temperatures. Do not disassemble the motor housing.



DANGER: Do not handle the pump or pump motor with wet hands or when standing on a wet or damp surface, or in water.



WARNING: Wear safety goggles at all times when working with pumps.



WARNING: This is a dual voltage 115/230 V pump. VOLTAGE SELECTOR INSIDE PRESET TO 230V. For 115V selection, please open the terminal cover and set the switch to the proper voltage. All wiring should be performed by a qualified electrician.



WARNING: Protect the electrical cord from sharp objects, hot surfaces, oil, and chemicals. Avoid kinking the cord. Do not use damaged or worn cords.



WARNING: Failure to comply with the instruction and designed operation of this unit may void the warranty. ATTEMPTING TO USE A DAMAGED PUMP can result in property damage, serious personal injury, and/or death.



WARNING: The pump should be connected to a 230V/115V GFCI outlet protected with a 15 amp (230V)/20 amp(115V) fuse or circuit breaker.



CAUTION: Know the pump and its applications, limitations, and potential hazards.



CAUTION: Secure the pump to a solid base.



CAUTION: Periodically inspect the pump and system components. Disconnect the pump from the power supply before inspecting.



CAUTION: Follow all electrical and safety codes, particularly the Canadian Electrical Code, and local codes and ordinances.



IMPORTANT: The motor of this pump has a thermal protector that will trip if the motor becomes too hot. The protector will reset itself once the motor cools down and an acceptable temperature has been reached. The pump may start unexpectedly if it is plugged in.



IMPORTANT: Ensure the electrical power source is adequate for the requirements of the pump.



IMPORTANT: This pump is made of high-strength, corrosion-resistant materials. It will provide trouble-free service for a long time when properly installed, maintained, and used. However, inadequate electrical power to the pump, dirt, or debris may cause the pump to fail. Please carefully read the manual and follow the instructions regarding common pump problems and remedies.

Warranty

The manufacturer warrants the products to be free from defects in materials and workmanship for a period of one year from date of purchase. This warranty applies only to the original consumer purchaser and only to products used in normal use and service. If within one year this product is found upon examination by the manufacturer to be defective in materials or workmanship, the manufacturer's only obligation, and your exclusive remedy, is the repair or replacement of the product at the manufacturer's discretion, provided that the product has not been damaged through misuse, abuse, accident, modifications, alterations, neglect or mishandling. Your original receipt of purchase is required to determine warranty eligibility.

The purchaser must pay all labor and shipping charges necessary to replace the product covered by this warranty.

This Limited Warranty does not cover products which have been damaged as a result of an accident, misuse, abuse, negligence, alteration, improper installation or maintenance, or failure to operate in accordance with the instructions supplied with the products, or operational failures caused by corrosion, rust, or other foreign materials in the system.

Requests for service under this warranty shall be made by returning the defective product to the manufacturer as soon as possible after the discovery of any alleged defect. The manufacturer will subsequently take corrective action as promptly as reasonably possible.

The manufacturer does not warrant and especially disclaims any warranty, whether express or implied, of fitness for a particular purpose, other than the warranty contained herein. This is the exclusive remedy and any liability for any and all indirect or consequential damages or expenses whatsoever is excluded.

Some states do not allow the exclusion or limitation of incidental or consequential damages or limitations on how long an implied warranty lasts, so the above limitations or exclusions may not apply to you. This warranty gives you specific legal rights and you may also have other rights which vary from state to state.

For Professional Technical Support call 1-844-241-5521 or visit HOMEDEPOT.COM

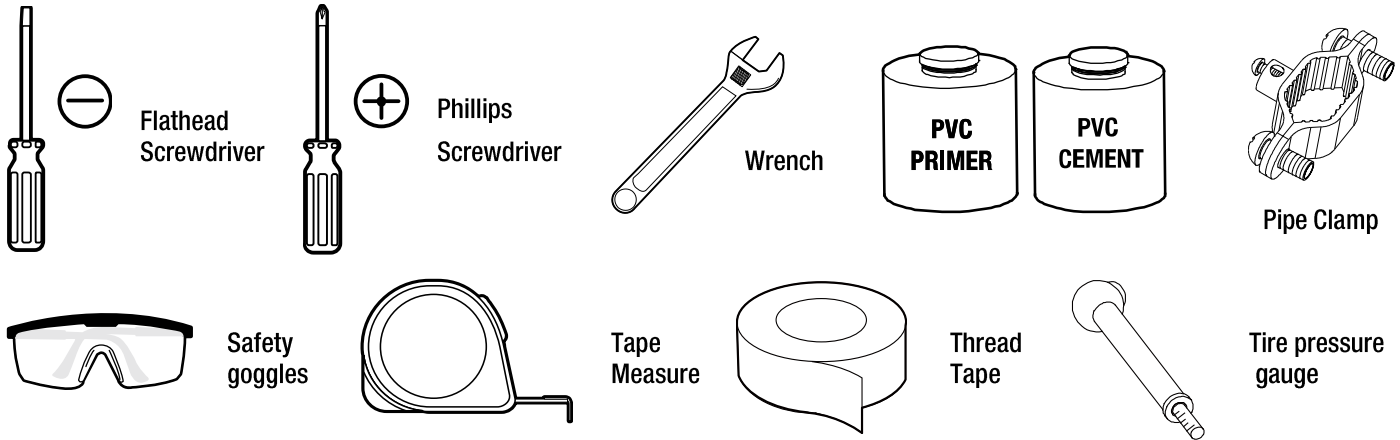
For warranty registration please go to www.gppumpsus.com

Pre-Installation

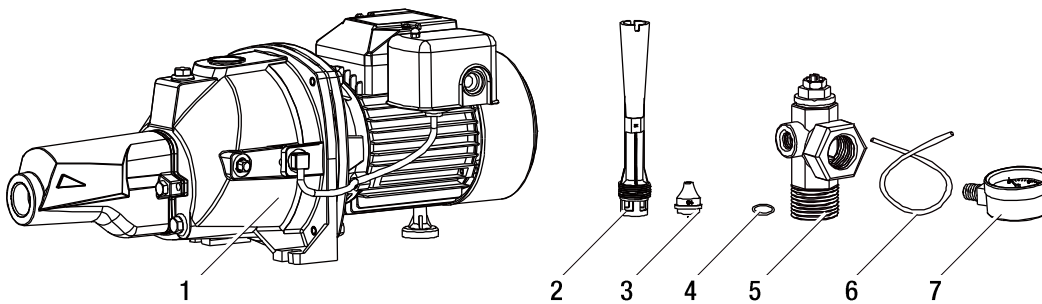
APPLICATION

This unit is a convertible jet pump designed for pumping water where the water level is less than 70 ft. deep. If the water level to the pump is deeper than 70 ft., a deep well submersible pump should be selected. A pressure switch pre-set at 30 psi "on"/ 50 psi "off" has been installed on the pump. The pressure switch will automatically turn the pump on and off based on the system pressure.

TOOLS REQUIRED



PACKAGE CONTENTS



Part	Description
1	Pump
2	Venturi tube (J32P-18/#11)
3	Nozzle (#02)
4	O Ring

Part	Description
5	Pressure regulator
6	Pressure tube
7	Pressure gauge

SPECIFICATIONS

Power supply	115V/230V, 60 HZ., 20/10 Amp Circuit
Liquid temp. range	32°F to 95°F (0° - 35°C)
Discharge size	1 in. FNPT
Suction size	1-1/4 in. FNPT
Shallow well water level	25 ft.
Deep well water level	70 ft.

Pre-Installation (continued)

DETERMINE THE DEPTH OF YOUR WELL

Tie a small but heavy weight such as a fishing weight to the end of a piece of cotton string. Lower the weight into the well until it reaches the bottom of the well. Make a mark on the string at ground level. Pull the weight out of the well and measure from the bottom of the weight to the ground level mark. This is the depth of your well. Subtract 5 ft. from the depth of your well. If this number is less than 25 ft., shallow well installation should be taken. If this number is more than 25 ft. and less than 70 ft., deep well installation should be taken. If this number is more than 70 ft., a deep well submersible pump should be selected. Measure the ground level mark to the mark where the cotton string is wetted. This number is your well's water level. It should also be at least 10 ft. below the well's water level while the pump is running in order to prevent the pump from sucking air due to water level drawdown.

LOCATION OF THE PUMP

Decide on the area for the pump installation. Select a pump location with adequate space for future pump maintenance. It can be located in the basement or utility room of the house, at the well, or between the house and the well. If installed outside of the house, it should be protected by a pump house with auxiliary heat to prevent possible freezing. Protect the pump against flooding and excess moisture. The well also should be protected for sanitary reasons. Mount the pump as close to the well as possible.

TANKS - PRE-CHARGED STORAGE

For best performance of the pump, it is recommended that you use a diaphragm pressure tank (sold separately). It is best to have this in place before installing the pump. A pre-charged storage tank has a flexible bladder or diaphragm that acts as a barrier between the compressed air and water. This barrier prevents the air from being absorbed into the water and allows the water to be acted on by compressed air at initially higher than atmospheric pressures (pre-charged). More usable water is provided than with a conventional type tank.

The pump has a 30/50 PSI pressure switch, which means the "cut-in" is 30 PSI; therefore, the tank needs to be set to 28 PSI. To check the pressure in the tank, use a tire pressure gauge (not included). If the tank pre-charged less than 28 PSI, re-charge air to the tank to 28 PSI with a tire pump or air compressor. If the tank pre-charged over 28 PSI, bleed out some air to 28 PSI.

For wells 25 ft. or less in depth, shallow well installations should be adapted. The shallow well installations have only one single pipe between the pump and well water.

Shallow Well Installation

MATERIALS REQUIRED (NOT INCLUDED)

Additional items needed	QTY	Internet#	Additional items needed	Size	Internet#
(A) 1-1/4 in. Foot Valve	1	205618048	(I) 1-1/4 in. Flexible PVC Coupling (required is using PVC pipe)	1	100055392
(B) 1-1/4 in. Priming Tee	1	100120387	(J) 1-1/4 in. Check Valve	1	206828008
(C) 1 in. Female PVC adaptor	2	100347423	(K) 1 in. Discharge Tee	1	203990025
(D) 1/2 in. pressure relief valve	1	205149183	(L) 1 in. Male Adaptor	1	100344011
(E) 1-1/4 in. Schedule 80 PVC Pipe (or Flex Pipe)		100182626	(M) 10 in. Tank Tee (or recommended size based on tank size)	1	205618015
(F) 1-1/4 in. Coupling (required if using PVC pipe)	1	203811387	(N) 1/4 in. Plug	1	100204497
(G) 1/2 in. x 1/2 in. Drain valve	1	205812176	(O) 2 in. Pressure gauge 0-100 psi	1	205962440
(H) 4 in. Well Seal	1	300494432	(P) 1-1/4 in. Male Adaptor	3	203811644



WARNING: All joints and connections must be AIRTIGHT. A single leak will prevent the proper operation of the pump. Wrap thread tape clockwise on all threaded connections. For all non-threaded connections, you must use PVC Purple Primer and PVC Cement to ensure airtight seals. Measure all pipe lengths before attaching.



NOTE: A foot valve is a check valve that is used to keep the water from running back into the well from the pump and maintain hydraulic pressure when the pump is not running. If the foot valve does not hold the water the pump will lose its prime and will not pump water. If the foot valve open pressure is too high (the spring is too stiff), or the flow area is too small, the pump suction head and flow rate will significantly drop.



NOTE: The suction pipe size should not be less than 1-1/4 in. The suction size of this pump is 1-1/4 in. FNPT.

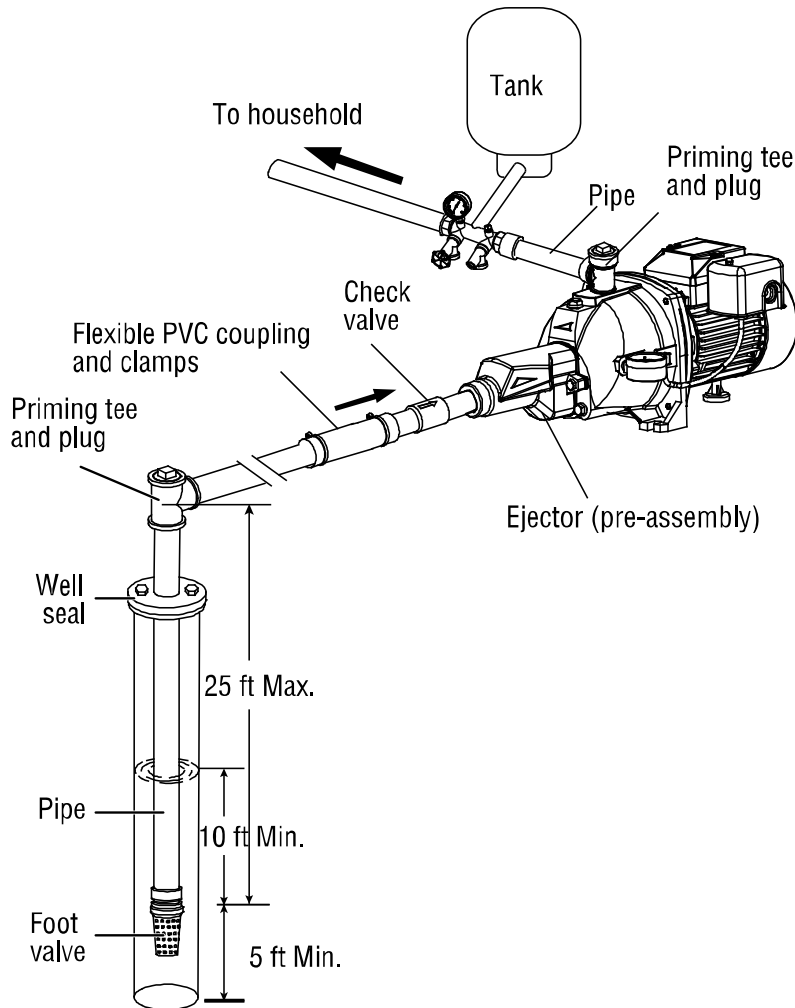
Shallow Well Installation (continued)

REPLACING AN EXISTING PUMP



WARNING: Risk of electric shock. Can shock, burn or kill. Disconnect power to pump before working on pump or motor.

1. Drain and remove the old pump. Check the old pipe for scale, lime, rust, etc., and replace it if necessary.
 2. Install the pressure gauge in the pump body.
 3. Install the pump in the system. Make sure that all pipe joints in the suction pipe are air-tight as well as water tight. If the suction pipe can suck air, the pump will not be able to pull water from the well.
 4. Adjust the pump mounting height so that the plumbing connections do not put a strain on the pump body. Support the pipe so that the pump body does not take the weight of piping or fittings.
- You have just completed the well plumbing for your new shallow well jet pump. Please go to discharge pipe and tank connections.



Shallow Well Installation (continued)

New Shallow Well Installation (Depth to Water 25 feet or less)



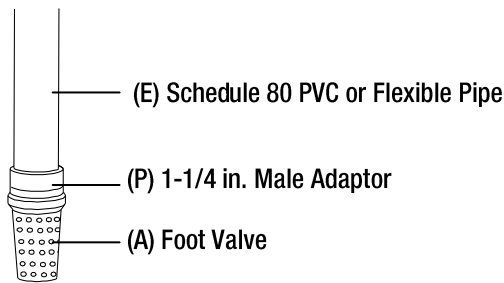
CAUTION: To avoid skin burns, unplug the pump and allow time for it to cool after periods of extended use.

1 Connecting (E) Schedule 80 PVC or Flex pipe to the (A) foot valve. Review local codes for pipe specifications.



WARNING: Read the cement instructions carefully and make sure the pipe connections are strong enough. This pump could build up to 70 psi pressure in the system. If the pipe joints are weak, the pipe and foot valve could pop out and fall into the well by the system high pressure.

- Subtract 5 ft. from the depth of your well. This is the total length of PVC or Flexible pipe.
- Connect one section of the PVC or Flexible pipe to foot valve.

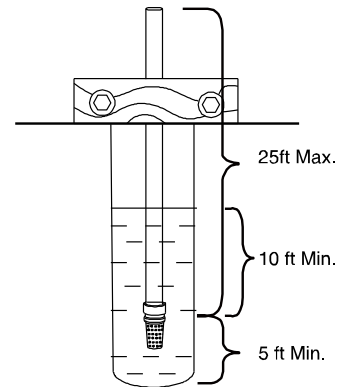


2 Slide the pipe assembly into your existing drilled well.

- Before sliding the pipe assembly into the well, firmly clamp the assembly with a pipe clamp (not included) to prevent the assembly from sliding down into the well.

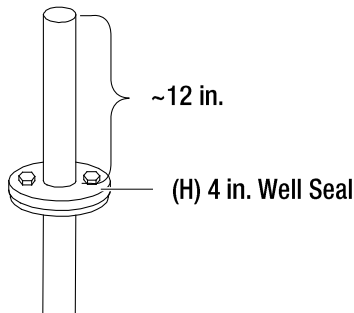


NOTE: DO NOT let the assembly slide down into the well.



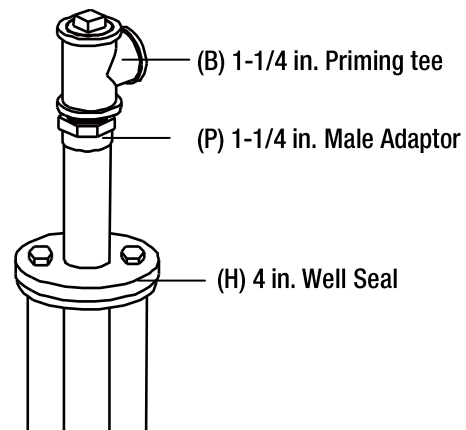
3 Slide a (H) 4 in. Well Seal over the (E) PVC or Flexible Pipe

- Remove the pipe clamp and slide the (H) 4 in. well seal (sold separately) over the PVC or Flexible pipe and onto the well casing (not shown).
- The PVC or Flexible Pipe should extend approximately 12 in. from the well seal, depending on the height of the pump placement.
- Tighten the well seal until the rubber gaskets are tight against the well casing and the PVC pipe.



4 Attach a (B) 1-1/4 in. priming tee with plug to the PVC or flexible pipe.

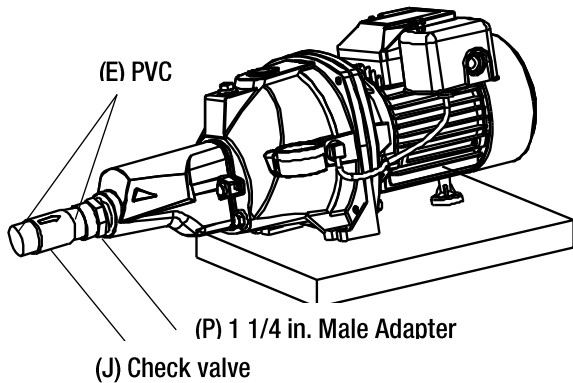
- Attach a (B) 1-1/4 in. priming tee with plug (sold separately) onto the rigid pipe extending from the well seal.



Shallow Well Installation (continued)

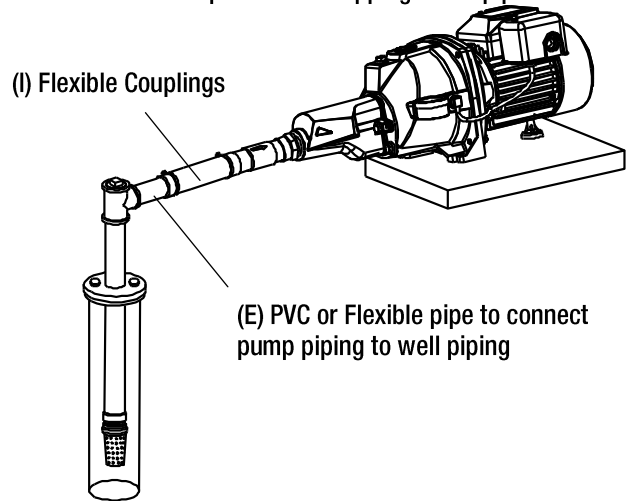
5 Connect the (E) PVC or flexible pipe to the pump inlet

- Position the pump as close to the well as possible.
- Connect a section of 1-1/4 in. PVC or Flexible pipe to the pump inlet.
- Attach a (J) 1-1/4 in. check valve (sold separately) to the other end of the PVC or Flexible pipe.
- Attach another section of 1-1/4 in. PVC or flexible pipe to the other end of the check valve.



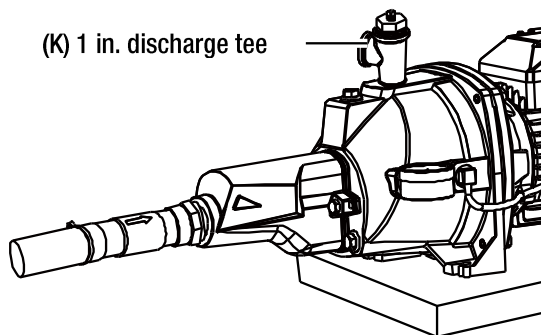
6 Connecting the PVC Pipe from the pump to the PVC Pipe coming from the well.

- Measure the distance from the PVC pipe extended from the check valve off the pump to the PVC pipe extending from the priming tee from the well. This will be the length of PVC or flexible pipe needed to connect the pump to the well.
- Using (I) Flexible PVC couplings, connect both ends of the PVC pipe to the pump and well end.
- Tighten the flexible pipe with clamps on each end.
- Ensure that the PVC or Flexible pipe slopes slightly downward toward the well to prevent air trapping in the pipe.



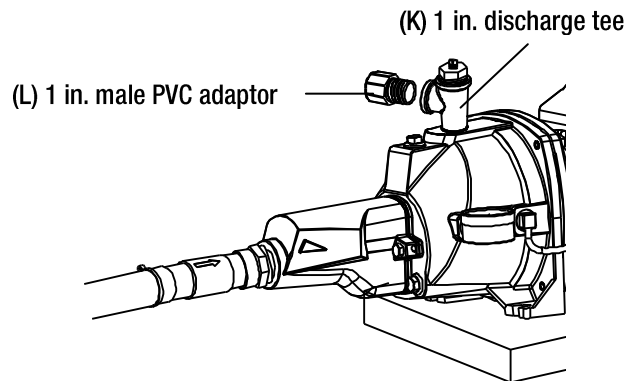
7 Connecting a (K) 1 in. discharge tee (sold separately) to the pump outlet

- Wrap thread tape around threads of a 1 in. discharge tee (sold separately).
- Using a pipe wrench, thread the 1 in. discharge tee into the discharge hole on the top of the pump.



8 Connecting a (L) 1 in. male PVC adaptor to the discharge tee on the pump outlet

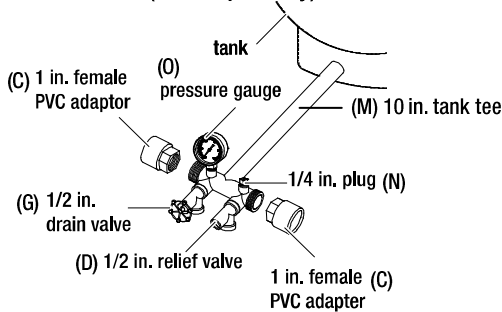
- Wrap thread tape around the threads of a 1 in. male PVC adaptor (sold separately).
- Thread the adaptor into the discharge tee.



Shallow Well Installation (continued)

9 Connecting a (M) 10 in. tank tee to the pressure tank (tank tee size may vary based on tank size)

- Wrap all threads on tank tee with thread tape.
- In order for the pump and the pressure tank (sold separately) to operate properly, the pressure tank must be drained of all water BEFORE INSTALLING TO THE PUMP.
- Thread a (M) 10 in. tank tee (sold separately) or recommended size based on pressure tank size.
- On the top of the tank tee that faces the pump system, plug the outlet with a (N) 1/4 in. plug (sold separately).
- On the opposite end of the tank tee install a (O) pressure gauge (sold separately) onto the outlet of the tank tee.
- On each side inlet of the tank tee, thread a (C) 1 in. female PVC adaptor.
- On the front of the tank tee that has the 1/4 in. plug, thread a (D) 1/2 in. relief valve (sold separately).
- On the front of the tank tee that has the pressure gauge, thread a (G) 1/2 in. drain valve (sold separately).

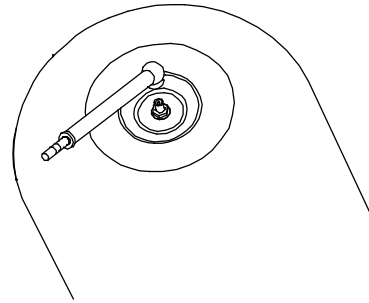


10 Checking the pressure in the tank

- Air pressure in the tank must be 2 psi lower than the "cut-in" of the pressure switch.



NOTE: The pump has a 30/50 PSI pressure switch, which means the "cut-in" is 30 PSI; therefore, the tank needs to be set to 28 PSI. To check the pressure in the tank, use a tire pressure gauge (not included). If the tank pre-charged less than 28 PSI, re-charge air to the tank to 28 PSI with a tire pump or air compressor. If the tank pre-charged over 28 PSI, bleed out some air to 28 PSI.

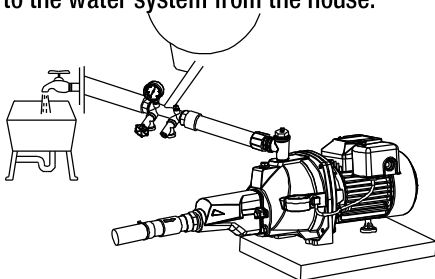


11 Connecting the piping from the pump to the tank system



CAUTION: Never install a shut-off valve between the pump and the tank, as this can cause excessive friction loss and can damage the pressure switch and/or pump. If necessary, only install a fully open gate valve (sold separately).

- Using PVC purple primer and PVC cement, attach a section of 1 in. PVC pipe (sold separately) as needed to connect the 1 in. male PVC adapter on the discharge tee to the 1 in. female PVC adapter on the tank tee.
- Attach another section of 1 in. PVC pipe (sold separately) as needed to connect the other 1 in. female PVC adapter on the tank tee to the water system from the house.



12 Priming the pump and rigid pipe



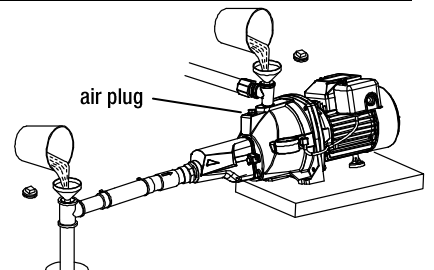
WARNING: If the pump's level is lower than the suction pipe, the air may trap in the pipe. The pump may not work properly.

- To prime, remove both: a. The two plugs from the top of the two discharge tees (water will be filled in here), and; b. The air plug in front of the discharge tee (this is to allow air to vent out while priming). Fill the two discharge tees with water until water overflows.



NOTE: It may take some time to fully fill the pipes and the pump completely. Keep watching the discharge tee water level and make sure the water level is stable and no air bubbles come out from the discharge tee.

- Wrap the two discharge tee plugs and air plug threads with thread tape and re-attach to the pump. Tighten with a wrench.



Shallow Well Installation (continued)

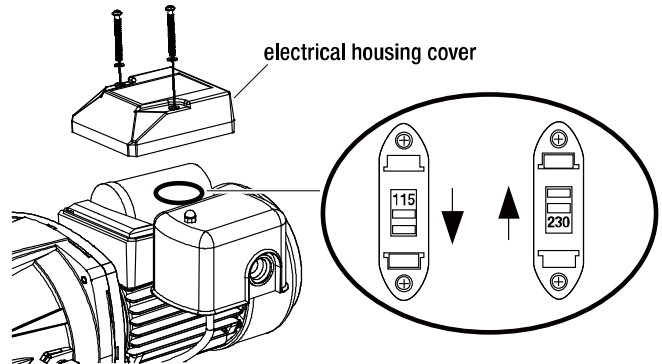
13 Voltage setting



WARNING: All electrical work should be performed by a licensed electrician.

- This pump is pre-wired at 230 volts.
- If the power source is 115 volts, remove the electrical housing cover.
- Flip the switch to 115 volts.
- Replace the cover.

Proceed to the Pressure Switch Assembly Instructions section below.



Pressure Switch Assembly Instructions



WARNING: Before wiring the pressure switch, turn off the power source to which you are connecting to avoid potentially life threatening electrical shock.



WARNING: When wiring from the power source to the pressure switch, it is recommended that you use either a 14-gauge or 12-gauge cord.

To complete the installation, you must connect the power source to the pressure switch. A 30/50 psi pressure switch has been installed on the pump. The pressure switch allows for automatic operation; the pump starts when pressure drops to the "cut-in" setting (30 psi pre-set).

To wire the pressure switch:

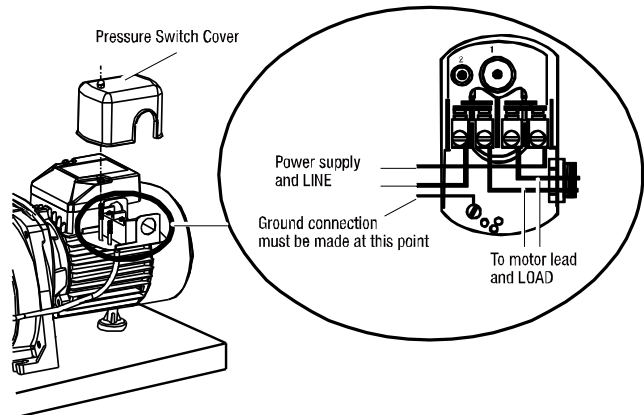
- Remove the pressure switch cover on pump to expose the wiring terminals.
- Connect the green ground wire of the power supply to the switch ground terminal.
- Connect the power supply wires to the two outside terminals marked "LINE" and replace the switch cover.



CAUTION: Do NOT use a pressure switch set at a pressure greater than 50 psi. The pump will not create pressures greater than 50 psi, if so the pump will never shut off, resulting in damage to the pump and voiding the warranty.



WARNING: It is recommended all electrical work be performed by a licensed electrician.



The pump is ready for use. Open a faucet near the pump. Turn on the pump. Water should come out from the faucet in a few minutes. If no water comes out, turn off the pump and re-prime water from the discharge tee.

For wells between 25 and 70 ft. in depth, deep well installations should be adapted. The deep well installations have one 1-1/4 in. pipe and one 1 in. pipe between the pump and ejector.

Deep Well Installation

MATERIALS REQUIRED (NOT INCLUDED)

Additional items needed	QTY	Internet #
(A) 1-1/4 in. Foot Valve	1	205618048
(B) 1-1/4 in. Priming Tee	1	100120387
(C) 1 in. Female PVC adaptor	4	100347423
(D) 1/2 in. pressure relief valve	1	205149183
(E) 1-1/4 in. Schedule 80 PVC Pipe (or Flex Pipe)		100182626
(F) 1-1/4 in. Coupling (required if using PVC pipe)		203811387
(G) 1/2 in. x 1/2 in. Drain valve	1	205812176
(H) 4 in. Well Seal	1	300494432
(I) 1-1/4 in. Flexible PVC Coupling (required is using PVC pipe)	1	100055392
(L) 1 in. Male Adaptor	1	100344011

Additional items needed	QTY	Internet #
(M) 10 in. Tank Tee (or recommended size based on tank size)	1	205618015
(N) 1/4 in. Plug	1	100204497
(O) 2 in. Pressure gauge 0-100 psi	1	205962440
(P) 1-1/4 in. Male Adaptor	4	203811644
(Q) 1 in. Schedule 80 PVC Pipe of Flexible Pipe		202280936
(R) 1 in. PVC elbow	1	100346841
(S) 1 in. PVC coupling		100343722
(T) 1 in. x 3 in. nipple	2	100191626
(U) 1-1/4 in. x 4 in. Galvanized Steel Nipple	1	100209692
(V) 1 in. Flexible PVC Coupling (required is using PVC pipe)	1	202245805



WARNING: All joints and connections must be **AIRTIGHT**. A single leak will prevent the proper operation of the pump. Wrap thread tape clockwise on all threaded connections. For all non-threaded connections, you must use PVC purple primer and PVC cement to ensure airtight seals. Measure all pipe lengths before attaching.



NOTE: The ejector kit from the factory is for shallow well application. For deep well installation, the venturi tube (2) (J32P-18/#11) and nozzle (3) (#02) have to be installed.

REPLACING AN EXISTING PUMP



WARNING: Risk of electric shock. Can shock, burn or kill. Disconnect power to pump before working on pump or motor.

1. Drain and remove the old pump and the ejector in the well. Check pipe for scale, lime, rust, etc., and replace it if necessary.



NOTE: Your old ejector (in the well) can't be properly matched to your new pump. You must use the included ejector to your new pump.

2. Refer the following instruction to finish the new pump installation.

NEW DEEP WELL INSTALLATION (4 in. OR LARGER WELL)

1 Removing the pre-assembled nozzle and venturi

- Removing the pre-assembled ejector first then removing the pre-assembled nozzle and venturi.

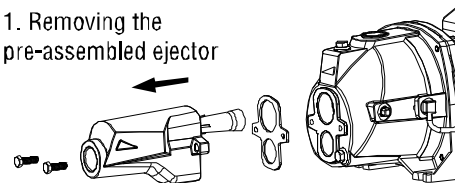


NOTE: SKU 1001 480 251, Turn the venturi tube (#13) counter clockwise. Remove the venturi tube (#13) and nozzle (#04) with an O-ring from the ejector.



NOTE: SKU 1001 480 255, Turn the venturi tube (#14) counter clockwise. Remove the venturi tube (#14) and nozzle (#04) with an O-ring from the ejector.

1. Removing the pre-assembled ejector

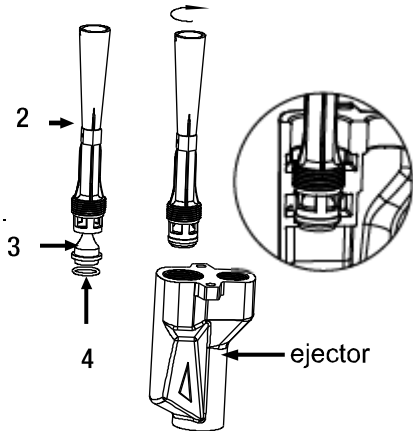


2. Removing the pre-assembled nozzle and venturi.

Deep Well Installation (continued)

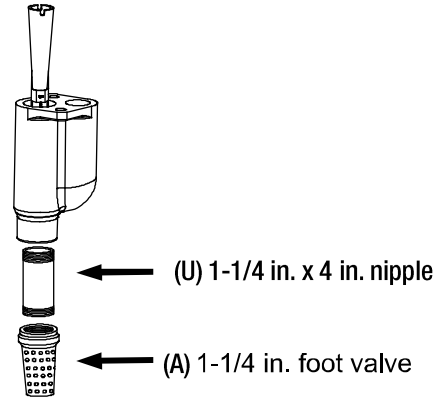
2 Attaching the nozzle and venturi to the ejector

- Wrap the threads of the venturi tube (2) (J32P-18/#11) with thread tape.
- Attach the O-ring (4) on the nozzle (3) (#02) and screw the nozzle (3) (#02) into the venturi tube (2) (J32P-18/#11).
- Attach the venturi tube (2) (J32P-18/#11) with the nozzle (3) and O-ring (4) to the Ejector.



3 Connecting the (A) foot valve to the ejector

- Wrap both ends of a (U) 1-1/4 in. x 4 in. nipple (sold separately), with tread tape.
- Thread the nipple into the (A) 1-1/4 in. foot valve (sold separately).
- Thread the other end of the nipple into the bottom of the ejector.
- Hand tighten, and then tighten 1-1/2 turn with a pipe wrench.

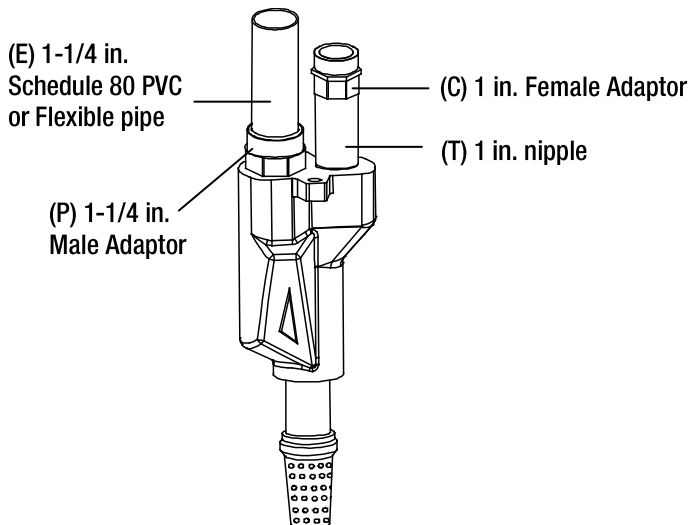


4 Connecting the Ejector to the (T) 1 in. nipple or Flexible pipe, and (E) 1-1/4 in. Schedule 80 PVC or Flexible pipe to the ejector

- Connect two pipes (1 in. drive, 1-1/4 in suction) to the ejector.

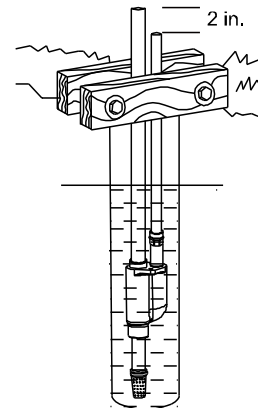


NOTE: If use PVC pipe to connect, a 1 in. x 3 in. nipple is required.



5 Sliding the pipe assembly into the well

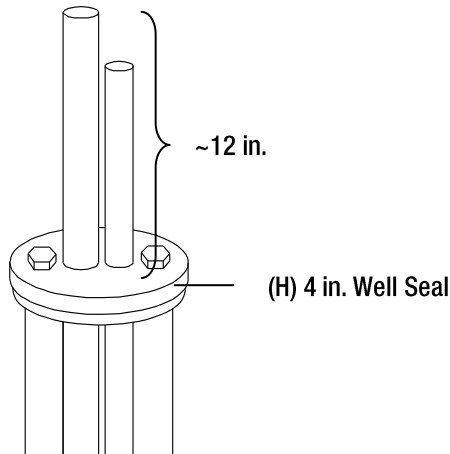
- Before sliding the pipe assembly into the well, firmly clamp the assembly with a pipe clamp (not included) to prevent the assembly from sliding down into the well.
- Keep the 1 in. pipe 2 in. shorter than the 1-1/4 in. pipe.
- The amount of PVC pipe or flexible pipe is based on well depth to water



Deep Well Installation (continued)

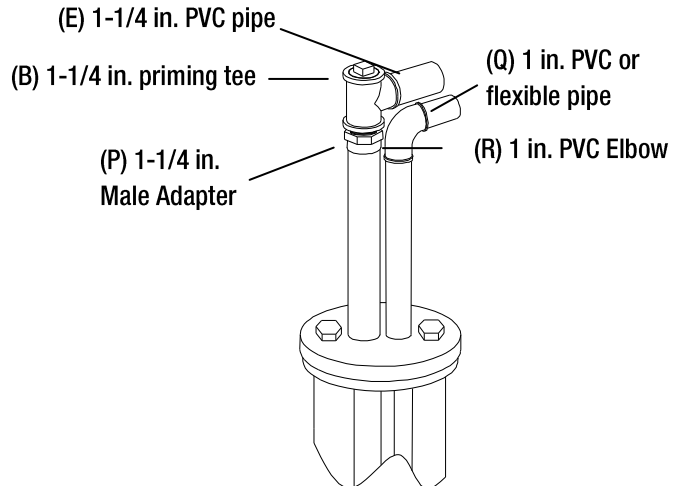
6 Slide a (H) 4 in. Well Seal over the (E) PVC or Flexible Pipe

- Remove the pipe clamp and slide the (H) 4 in. well seal (sold separately) over the PVC or Flexible pipe and onto the well casing (not shown).
- The PVC or Flexible Pipe should extend approximately 12 in. from the well seal, depending on the height of the pump placement.
- Tighten the well seal until the rubber gaskets are tight against the well casing and the PVC pipe.



7 Attaching a (R) 1 in. PVC elbow and (B) 1-1/4 in. priming tee to the PVC or flexible pipe

- Attach a (R) 1 in. PVC elbow and a (B) 1-1/4 in. priming tee (both facing the pump) to the pipes extending from the well.
- Attach (Q) 1 in. PVC or flexible pipe to 1 in. elbow.
- Attach (P) 1-1/4 in. Male adaptor to the 1-1/4 in. PVC pipe from well.
- Attach (E) 1-1/4 in. PVC or flexible pipe to 1-1/4 in. priming tee.

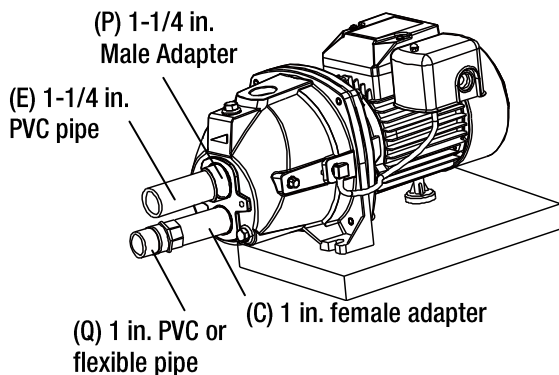


8 Connecting rigid pipe to the pump body

- Position the pump as close to the well as possible.
- Attach two sections of PVC or flexible pipe to the pump body (Q) 1 in. drive, and (E) 1-1/4 in. suction.

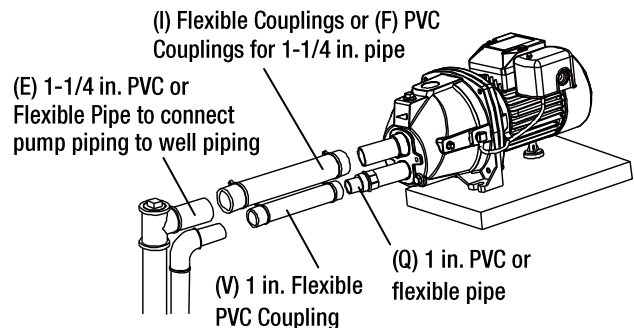


NOTE: If using PVC pipe to connect, a 1 in. x 3 in. nipple is required.



9 Connecting the pipes from the well to the pump

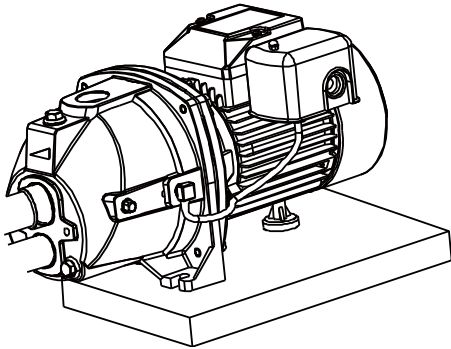
- Measure the distance from the PVC pipe extended from the check valve off the pump to the PVC pipe extending from the priming tee from the well. This will be the length of PVC or flexible pipe needed to connect the pump to the well for both 1 in. and 1-1/4 in. pipe.
- Using (I) Flexible PVC couplings or (F) PVC couplings to connect both ends of the 1-1/4 in. PVC pipe to the pump and well end. Use the (S) 1 in. PVC coupling to connect both ends of the 1 in. PVC pipe to the pump and well end.
- Tighten the flexible pipe with clamps on each end.
- Ensure that the PVC or Flexible pipe slopes slightly downward toward the well to prevent air trapping in the pipe.



Deep Well Installation (continued)

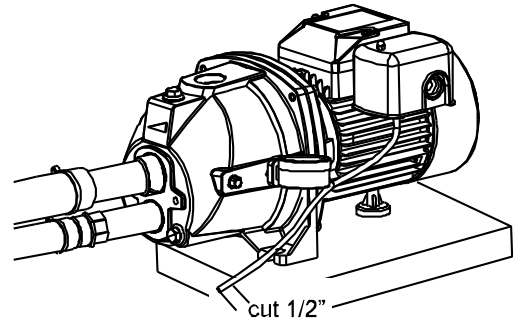
10 Removing the elbow insert from the pump body

- Pull out the pressure tube from the 90° elbow insert.
- Unthread and remove the elbow insert from the pump body.



11 Connecting the pressure gauge to the elbow insert hole

- Wrap the threads of the 1/4 in. pressure gauge (included) with thread tape and thread it in the elbow insert hole.
- Cut off the expanded portion of the pressure tube.



12 Priming the pipe & pump

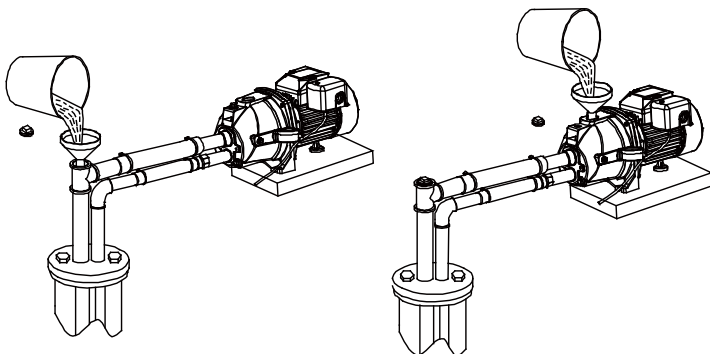
- Fill the pipe with water until water overflows. Replace the plug back to the tee.
- Fill the pump with water until water overflows.



NOTE: It may take several minutes to fill the pipes and the pump completely.



NOTE: If the pump does not hold its prime, inspect all pipes and connections for leaks, and repair the leaks.



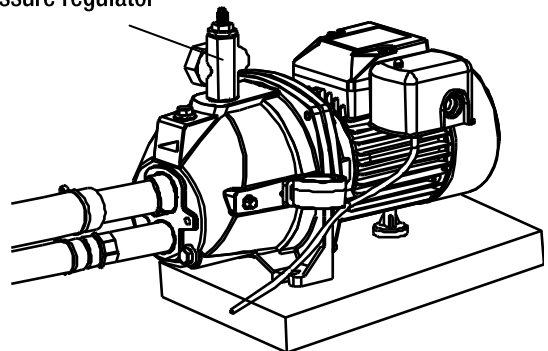
13 Connecting the pressure regulator to the pump

- Wrap thread tape around the threads of a 1 in. pressure regulator.
- Using a pipe wrench, thread the 1 in. pressure regulator into the top of the pump.



NOTE: This pressure regulator is a normally-closed valve installed at the discharge of the pump to provide an obstruction to flow and thereby regulate the pump pressure and provide back pressure for the ejector. Failure to use this item may result in a loss of prime and/or a low pressure.

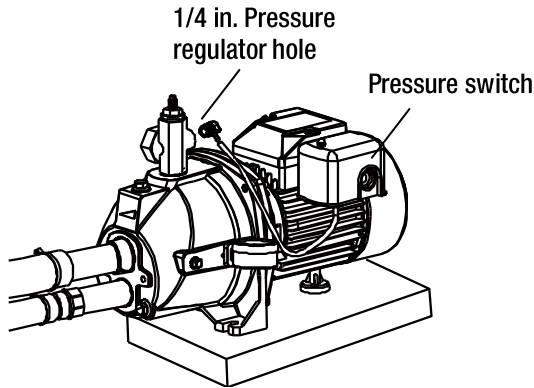
Pressure regulator



Deep Well Installation (continued)

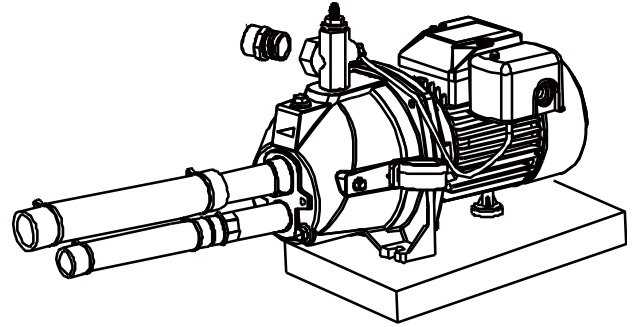
14 Connecting the brass elbow to the pressure regulator

- Thread the 1/4 in. disassembled elbow insert into the 1/4 in. hole on the side of the pressure regulator.
- Slide the pressure tubing (attached with the pump pressure switch or included in regulator kit) over the 1/4 in. brass elbow and the pressure switch connector.



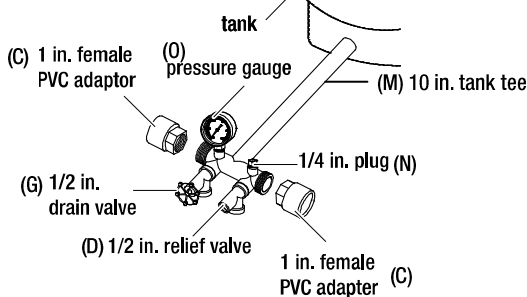
15 Connecting the PVC adapter to the pressure regulator

- Wrap thread tape around the threads of a 3/4 in. MNPT x 1 in. slip PVC adapter (sold separately).
- Thread the adapter into the pressure regulator.



16 Connecting a (M) 10 in. tank tee to the pressure tank (tank tee size may vary based on tank size)

- Wrap all threads on tank tee with thread tape.
- In order for the pump and the pressure tank (sold separately) to operate properly, the pressure tank must be drained of all water **BEFORE INSTALLING TO THE PUMP**.
- Thread a (M) 10 in. tank tee (sold separately) or recommended size based on pressure tank size.
- On the top of the tank tee that faces the pump system, plug the outlet with a (N) 1/4 in. plug (sold separately).
- On the opposite end of the tank tee install a (O) pressure gauge (sold separately) onto the outlet of the tank tee.
- On each side inlet of the tank tee, thread a (C) 1 in. female PVC adaptor.
- On the front of the tank tee that has the 1/4 in. plug, thread a (D) 1/2 in. relief valve (sold separately).
- On the front of the tank tee that has the pressure gauge, thread a (G) 1/2 in. drain valve (sold separately).

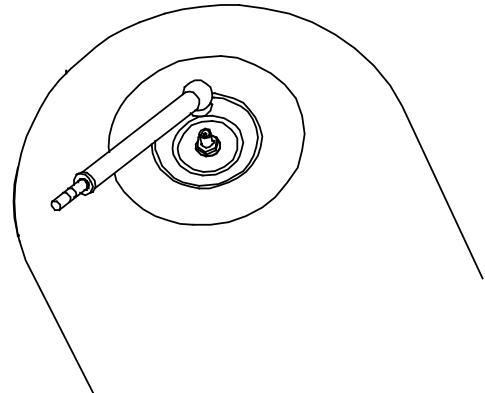


17 Checking the pressure in the tank

- Air pressure in the tank must be 2 psi lower than the "cut-in" of the pressure switch.



NOTE: The pump has a 30/50 PSI pressure switch, which means the "cut-in" is 30 PSI; therefore, the tank needs to be set to 28 PSI. To check the pressure in the tank, use a tire pressure gauge (not included). If the tank pre-charged less than 28 PSI, re-charge air to the tank to 28 PSI with a tire pump or air compressor. If the tank pre-charged over 28 PSI, bleed out some air to 28 PSI.



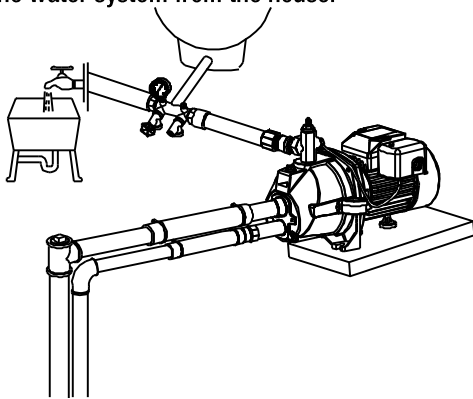
Deep Well Installation (continued)

18 Connecting the pump with the water system



CAUTION: Never install a shut-off valve between the pump and the tank, as this can cause excessive friction loss and can damage the pressure switch and/or pump. If necessary, only install a fully open gate valve (sold separately).

- Using PVC purple primer and PVC cement, attach a section of 1 in. PVC pipe (sold separately) as needed to connect the 3/4 in. MNPT x 1 in. slip PVC adapter in the pressure regulator.
- Attach another section of 1 in. PVC pipe (sold separately) as needed to connect the other 1 in. female PVC adapter on the tank tee to the water system from the house.

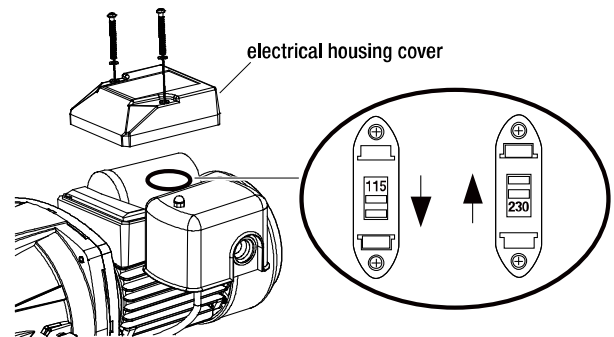


19 Voltage setting



WARNING: All electrical work should be performed by a licensed electrician.

- This pump is pre-wired at 230 volts.
- If the power source is 115 volts, remove the electrical housing cover.
- Flip the switch to 115 volts.
- Replace the cover.

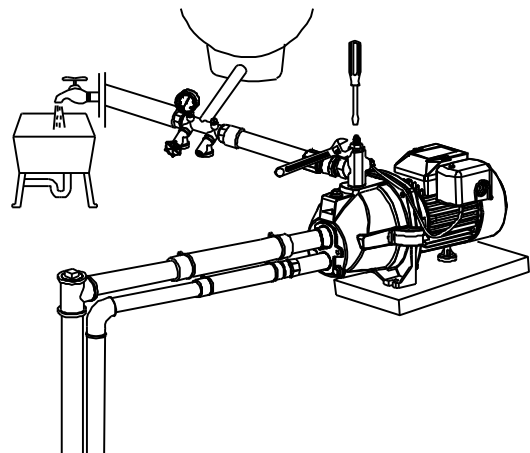


20 Setting pressure regulator

- Turn the regulator adjustment screw down tight.
- Turn on pump.
- If the pump is properly primed, a high pressure will immediately show on the pressure gauge.
- With the pump operating at high pressure, slowly unscrew the adjusting screw until maximum water flow is obtained without pressure dropping to zero.
- If pressure falls completely, retighten the screw and readjust it.
- If no pressure shows, stop the pump, remove the pressure regulator from pump, add more water, and try again.
- After the adjusted bolt is set up, lock the screw nut on the bolt.
- The pump is ready for use.



NOTE: The pressure regulator screw is very tight. A big screw driver needed.



Proceed to the Pressure Switch Assembly Instructions section on page 10 of this manual.

Troubleshooting

Do

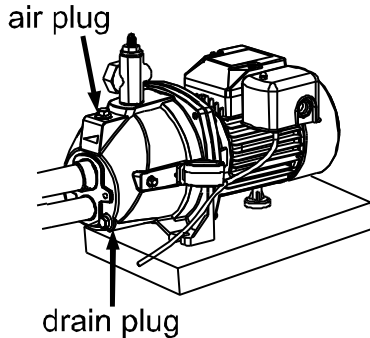
- Remove the drain plug (located on the front of the pump close to the inlet hole) and air plug (located on the top of the pump close to the outlet hole) to vent the system.
- Drain all piping to a point below the freeze line.



NOTE: While this will drain the pump, it will not necessarily drain all the unprotected parts of the piping system. To drain the tank, disconnect the piping at the tank outlet.

Do Not

- Do not disassemble the motor housing. This motor has NO repairable internal parts, and disassembly may cause dangerous electrical wiring issues.



Problem	Possible Cause	Corrective Action
Pump humming.	<ol style="list-style-type: none"> 1. The motor shaft stuck. 2. Selected wrong voltage. 	<ol style="list-style-type: none"> 1. 1.1 Please use a flat head screw driver to turn the motor shaft through the center hole on the motor cap. Then restart the pump. 1.2 Clean impeller and diffuser. 2. Pump was pre-set at 230V. Refer to manual for set voltage to 115V.
Does not pump water or low flow.	<ol style="list-style-type: none"> 1. Air in piping or did not prime. 2. The water level in the well is below the foot valve. 3. The foot valve is plugged or leaks. 4. Impeller or nozzle blocked by foreign material. 	<ol style="list-style-type: none"> 1. Stop the motor. Remove the pressure gauges or prime plug. Fill the housing pipes with water. 2. Lower the suction pipe. If the water level is more than 25 ft., you need a deep well pump. 3. Replace the foot valve or dig the well deeper. 4. Clean impeller and nozzle.
Pump does not stop or pressure does not build up.	<ol style="list-style-type: none"> 1. Impeller or nozzle blocked by foreign material. 2. There is a leak in the house piping. 	<ol style="list-style-type: none"> 1. Clean impeller and nozzle. 2. Locate and repair the leak or reconnect.
The pump starts and stops too often.	<ol style="list-style-type: none"> 1. Pressure in pre-charged tank is not correct. 2. The pressure switch malfunctioning. 3. There is a ruptured diaphragm/bladder (pre-charged tank). 	<ol style="list-style-type: none"> 1. Ensure the pressure in the pre-charged tank is set to 2 PSI less than the cut-in pressure. 2. Replace the pressure switch . 3. Replace the tank.



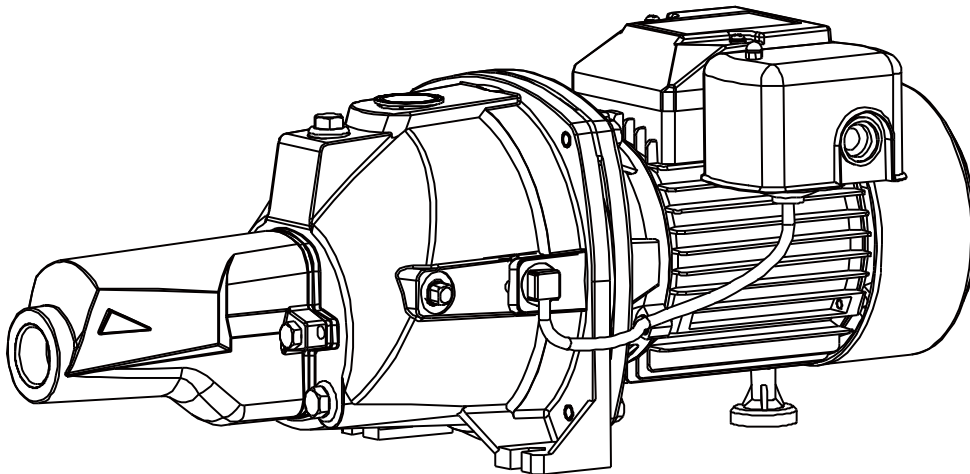
Questions, problems, missing parts? Before returning to the store call
Everbilt Customer Service
8 a.m. - 6 p.m., EST, Monday-Friday

1-844-241-5521

WWW.HOMEDEPOT.COM

GUÍA DE USO Y DE MANTENIMIENTO

BOMBA CONVERTIBLE DE CHORRO



¿Preguntas, problemas, piezas que faltan? Antes de devolverla a la tienda,
llame a Servicio al Cliente de
8:00 AM a 6:00 pm EST de Lunes a Viernes.

1-844-241-5521

HOMEDEPOT.COM

¡GRACIAS!

Nosotros agradecemos la confianza que Usted ha puesto en Everbilt por la compra de esta bomba convertible de chorro. Nos esforzamos continuamente para crear productos de calidad diseñados para mejorar su hogar. Visítenos en nuestra página de internet para ver la línea completa de productos disponibles para las mejoras de su hogar. ¡Gracias por escoger a Everbilt!

Tabla de Contenido

Tabla de Contenido.....2
 Funcionamiento.....2
 Información de Seguridad.....2
 Garantía.....3
 Pre-Montaje.....4

Instalación de Pozos Poco Profundos 5
 Instrucciones para Montaje de Interruptor de Presión 11
 Instalación del Pozo Profundo 11
 Solución de Problemas 18

Funcionamiento

SKU	HP	LPM de Agua a Presión de descarga total de 40 psi								Max. presión
		0 pi	10 pi	20 pi	30 pi	40 pi	50 pi	60 pi	70 pi	
1001480251	3/4	38,6	30,7	23,5	22,7	20,1	17,0	13,2	11,4	67 psi
1001480255	1	51	43	34	28	26	22	19	17	67 psi

Información de Seguridad



PELIGRO: No bombee líquidos inflamables o explosivos como aceite, gasolina, queroseno, etc. No lo use cerca o en presencia de vapores inflamables o explosivos. El uso de este producto cerca o con líquidos inflamables puede causar una explosión o un incendio causando daños a su propiedad, lesiones personales, y/o muerte.



PELIGRO: SIEMPRE desconecte la bomba antes de hacerle mantenimiento.



PELIGRO: No toque el motor mientras esté funcionando. Este producto está diseñado para funcionar a altas temperaturas. No desmonte motor ni el protector del motor.



PELIGRO: No maneje la bomba o el motor de la bomba con las manos mojadas, o cuando esté de pie sobre la superficie mojada o húmeda, o en agua.



ADVERTENCIA: Use gafas de seguridad en todo momento que use la bomba.



ADVERTENCIA: Se trata de una bomba de doble voltaje 115/230 V. SELECTOR DE VOLTAJE precolocación adentro para 230V. Para la selección de 115V, por favor, abra la tapa del terminal y ajuste el interruptor a la tensión adecuada. Todo el cableado debe ser realizado por un electricista calificado.



ADVERTENCIA: Proteja el cable eléctrico de objetos afilados, superficies calientes, aceite, y químicos. Evite enroscar los cables. No use cables dañados o desgastados.



ADVERTENCIA: El no cumplir con las instrucciones de la operación de esta unidad puede anular la garantía. EL INTENTO DE USAR UNA BOMBA DAÑADA puede resultar en daños a la propiedad, serios daños personales y/o muerte.



ADVERTENCIA: La bomba debe conectarse a una toma de 230V/115V GFCI protegida con un fusible o disyuntor de 15 amperios (230V)/20 amp (115V)..



CAUTELA: Conozca de la bomba las aplicaciones, las limitaciones y los peligros potenciales.



CAUTELA: Fije la bomba a una base sólida.



CAUTELA: Periódicamente inspeccione la bomba y los componentes del sistema para asegurar que las entradas estén libres de barro, arena y mugre. DESCONECTE DEL ENCHUFE LA BOMBA ANTES DE INSPECCIONARLA.

Información de Seguridad (seguido)



CAUTELA: Siga sus códigos de seguridad eléctrica local, especialmente los del Código Eléctrico Nacional (NEC) y en el lugar de trabajo. El Acta de Seguridad y Salud Ocupacional. (OSHA).



IMPORTANTE: El motor de la bomba tiene un protector térmico automático de reajuste que se apaga si la bomba se recalienta. Una vez que el protector térmico detecte que la bomba ha bajado de temperatura permitirá que la bomba funcione normalmente. Si la bomba está conectada puede empezar a funcionar inesperadamente.



IMPORTANTE: Asegure que la fuente de electricidad es adecuada para los requisitos que exige la bomba.



IMPORTANTE: Esta bomba está hecha de materiales de alta fuerza y resistentes a la corrosión. Cuando ha sido correctamente instalada no tendrá problemas de mantenimiento o de uso por mucho tiempo. Sin embargo, una conexión inadecuada de la bomba mugre o suciedad puede causar que la bomba falle. Lea cuidadosamente las instrucciones y sigalas con respecto a problemas y soluciones más comunes de la bomba.

Garantía

El fabricante garantiza los productos de cualquier defecto de materiales y mano de obra por un periodo de un año a partir de la fecha de compra. Esta garantía se aplica solamente al comprador original y únicamente a los productos que han tenido un servicio y un uso en condiciones normales. Si dentro de uno año este producto se encuentra defectuoso el fabricante está obligado y su exclusiva solución es reparar o reemplazar el producto a discreción de este mismo fabricante verificando que este producto no ha sido dañado por mal uso, abuso, accidente, modificaciones, alteraciones, mal manejo, o negligencia. Se requiere el recibo original de compra para determinar su garantía.

El comprador debe pagar por la mano de labor y el transporte necesarios para reemplazar el producto cubierto por esta garantía.

Esta garantía limitada no cubre productos que han sido dañados por el resultado de un accidente, mal uso, abuso, negligencia, alteración, instalación o mantenimiento inapropiados, o falla de operación de acuerdo con las instrucciones suministradas con los productos, o falla operacional causada por corrosión, óxido o materiales extraños en el sistema.

La solicitud de servicio bajo garantía debe ser hecha devolviendo el producto defectuoso a la fábrica tan pronto como sea posible después de descubrir cualquier supuesto defecto. El fabricante tomará las medidas correctivas requeridas tan pronto sea razonablemente posible.

Las garantías que anteceden son exclusivas y en lugar de toda otra garantía explícita o implícita, incluyendo pero sin limitarse a las garantías implícitas de comerciabilidad e idoneidad para un fin específico. Las garantías que anteceden no se extenderán más allá de la duración expresamente suministrada en la presente.

Algunos estados (o departamentos) no permiten la exclusión o limitación de daños incidentales o consecuentes o de limitaciones de tiempo sobre garantías implícitas, de modo que es posible que las limitaciones o exclusiones que preceden no correspondan en su caso. Esta garantía le otorga derechos legales específicos y es posible que usted también tenga otros derechos que pueden variar de un estado al otro.

Para comunicarse a Soporte técnico profesional llame al 1-844-241-5521 o visite HOMEDEPOT.COM.

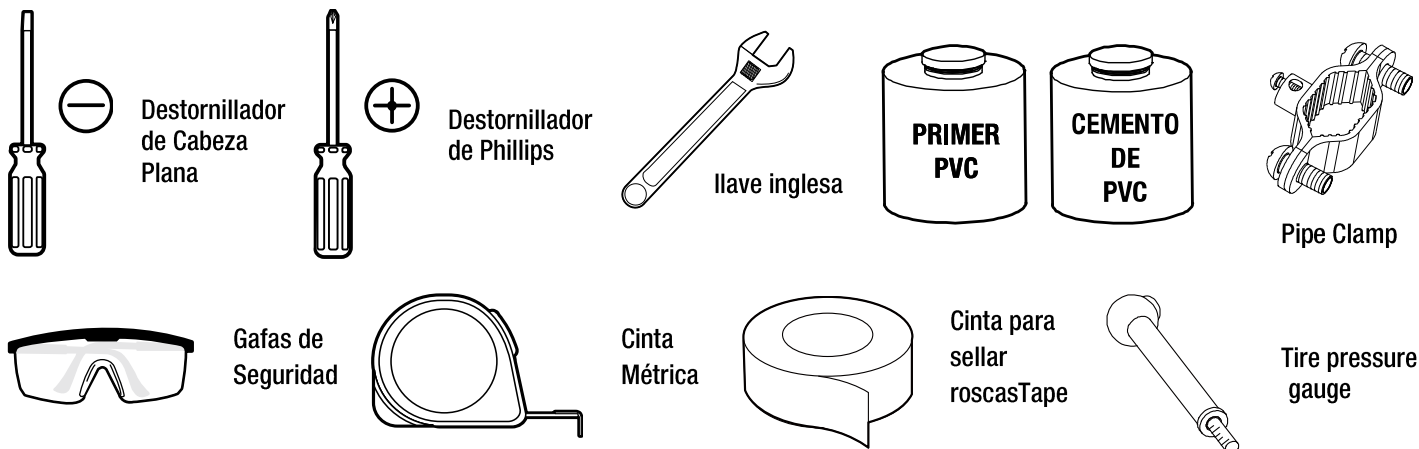
Para el registro de garantía por favor vaya a www.gppumpsus.com

Pre-Montaje

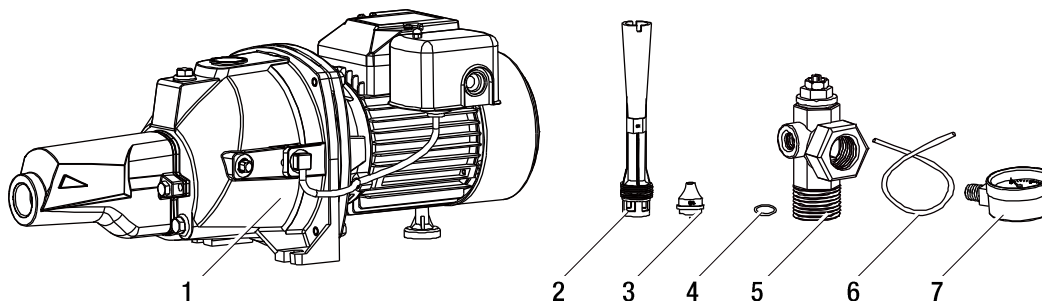
Aplicación

Esta unidad es una bomba inyectora convertible diseñada para bombear agua donde el nivel de agua es menor a 70 pies de profundidad. Si el nivel de agua a la bomba es más profundo que 70 pies, debe seleccionarse una bomba sumergible en pozo profundo. Se ha instalado en la bomba un interruptor de presión prefijado en 30 psi "encendido"/ 50 psi "apagado". El interruptor de presión encenderá y apagará automáticamente la bomba basándose en la presión del sistema.

HERRAMIENTAS REQUERIDAS



Contenido de paquete



Parte	Descripción
1	Bomba
2	Venturi (J32P-18/#11)
3	Boquilla (#02)
4	Junta tórica

Parte	Descripción
5	regulador de presión
6	Tubo de presión
7	Manómetro

Especificaciones

Voltaje	115V/230V, 60 HZ., Circuito de 20/10 Amperios
Rango de Temperatura de Líquido	32°C a 95°C (0°F a 35°F)
Descarga	NPT Hembra de 1 pg.
Succión	NPT Hembra de 1-1/4 pg.
Nivel de agua de pozo poco profundo	25 pi (7.62 metros)
Nivel de agua de pozo profundo	70 pi (21.3 metros)

Pre-Montaje (seguido)

DETERMINE LA PROFUNDIDAD DE SU BOMBA

Amarre un peso pequeño pero pesado, como por ejemplo una plomada, a una cuerda o una tanza. Baje el peso hasta que llegue al fondo del pozo. Marque la cuerda en el nivel de tierra. Saque el peso del pozo y mida la distancia entre el peso y la marca de nivel de tierra. Ésta es la profundidad de su pozo. Reste cinco pies (1.524 metros) de la profundidad de su pozo. Si este número es menos de 25 pies (7.62 metros), opte por una instalación de un pozo poco profundo. Si este número es más de 25 pies (7.62 metros) y menos de 70 pies (21.3 metros), opte por una instalación de un pozo profundo. Si este número es más de 70 pies (21.3 metros), Ud. debe usar una bomba sumergible de pozo profundo. Mide el nivel de tierra al punto donde la cuerda esté mojada. Esta distancia es el nivel de agua de su pozo y debería haber por lo menos 10 pies de agua cuando la bomba esté operando para prevenir que la bomba succione aire debido a descenso del nivel de agua.

UBICACIÓN DE LA BOMBA

Decide el área para la instalación de la bomba. Escoja una ubicación de bomba con espacio adecuado para mantenimiento futuro para la bomba. Puede estar ubicada en el sótano o el cuarto de utilidad, en la pared, o entre la casa y el pozo. Si se instala fuera de la casa, un compartimento de bomba con calefacción auxiliar la debería acompañar para prevenir congelamiento. Proteja la bomba contra inundaciones y humedad excesiva. La bomba se debería proteger por razones sanitarias. Monte la bomba tan cerca de la pared como sea posible.

TANQUES DE ALMACENAMIENTO - precargadas

Para un mejor funcionamiento de la bomba, se recomienda el uso de un tanque de presión de diafragma (se vende por separado). Lo mejor es tener este lugar antes de instalar la bomba. Un tanque de almacenamiento de pre-cargada tiene una vejiga flexible o diafragma que actúa como una barrera entre el aire comprimido y agua. Esta barrera impide que el aire sea absorbido en el agua y permite que el agua se actuó en por aire comprimido en inicialmente mayor que la presión atmosférica (pre-cargada). Más agua utilizable se proporciona que con un depósito de tipo convencional.

La bomba tiene un interruptor de presión de 30/50 PSI, lo que significa que el "corte" es de 30 PSI; por lo tanto, el tanque debe ajustarse a 28 PSI. Para verificar la presión en el tanque, use un manómetro de presión (no incluido). Si el tanque precargó menos de 28 PSI, vuelva a cargar aire en el tanque a 28 PSI con una bomba de neumático o compresor de aire. Si el tanque precargó más de 28 PSI, purgue un poco de aire a 28 PSI.

Para los pozos de 25 pi o menos de profundidad, instalaciones de pozos poco profundos se deben adaptar. Las instalaciones de pozos poco profundos tienen sólo una única tubería entre la bomba y agua de pozo.

Instalación de Pozos Poco Profundos

MATERIALES REQUERIDOS (NO INCLUIDOS)

Artículos adicionales necesarios	Tamaño	N.º de Internet	Artículos adicionales necesarios	Tamaño	N.º de Internet
(A) Válvula de pie de 1-1/4 pulg.	1	205618048	(I) Acoplamiento flexible de PVC de 1-1/4 pulg. (requerido al usar tubería de PVC)	1	100055392
(B) Te de cebado de 1-1/4 pulg.	1	100120387	(J) Válvula de retención de 1-1/4 pulg.	1	206828008
(C) Adaptador hembra de PVC de 1 pulg.	2	100347423	(K) Te de descarga de 1 pulg.	1	203990025
(D) Válvula de escape de presión de 1/2 pulg.	1	205149183	(L) Adaptador macho de 1 pulg.	1	100344011
(E) Tubo de PVC de esquema 80 de 1-1/4 pulg. (o tubo flexible)		100182626	(M) T de tanque de 10 pulg. (o tamaño recomendado de acuerdo con el tamaño del tanque)	1	205618015
(F) Acoplamiento de 1-1/4 pulg. (requerido al usar tubería de PVC)	1	203811387	(N) Tapón de 1/4 pulg.	1	100204497
(G) Válvula de drenaje de 1/2 pulg. x 1/2 pulg.	1	205812176	(O) Indicador de presión de 2 pulg. de 0-100 psi	1	205962440
(H) Sello de pozo de 4 pulg.	1	300494432	(P) Adaptador macho de 1-1/4 pulg.	3	203811644



ADVERTENCIA: Todas las juntas y conexiones deberían ser BIEN APRETADAS. Una sola fuga puede impedir operación propia de la bomba. Envuelva cinta para sellar roscas en dirección de reloj sobre todas las conexiones de roscas. Para otras conexiones, Ud. debe usar imprimador púrpura y cemento PVC para asegurar conexiones apretadas. Mide todas las distancias antes de conectar roscas.

Instalación de Pozos Poco Profundos (seguido)



NOTA: Una válvula de pie es una válvula de chequeo y se usa para prevenir que el agua vuelva a correr en el pozo de la bomba y también para mantener la presión hidráulica cuando la bomba no esté operando. Si la válvula de pie no retenga el agua, la bomba no cebará y no bombeará agua. Si la presión de apertura de la válvula es muy alta (el muelle es muy tieso), o el área de flujo es muy pequeña, la succión de bomba y la tasa de flujo caerá significativamente.



NOTA: El tamaño del tubo de succión no debería ser menos de 1-1/4 pg. El tamaño de esta bomba es 1-1/4 FNPT.

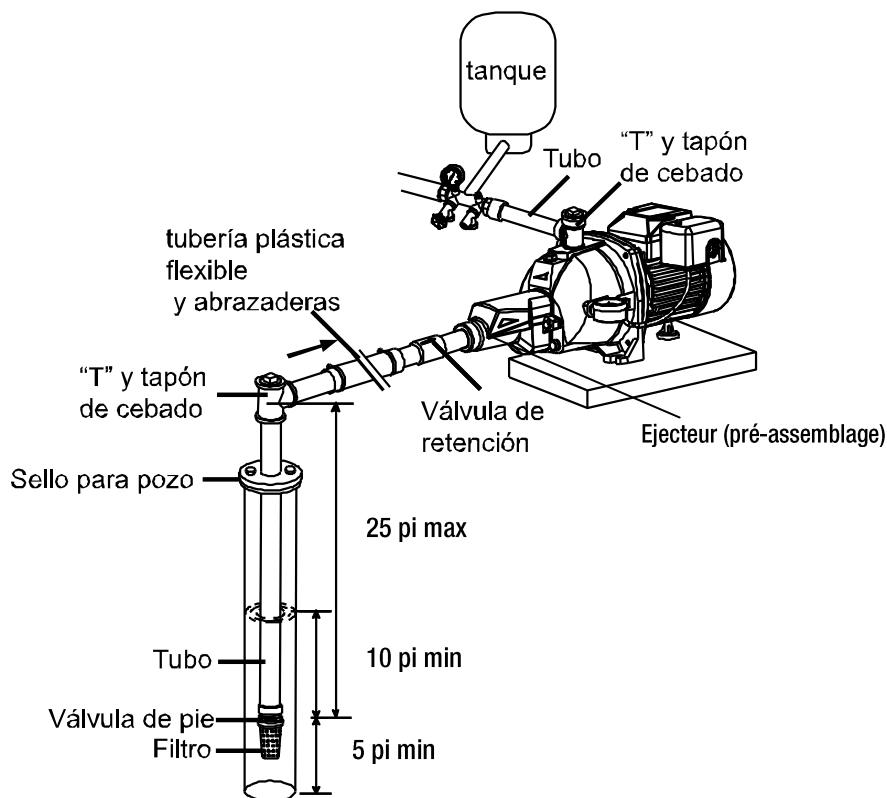
CAMBIO DE UNA BOMBA EXISTENTE



ADVERTENCIA: Riesgo de descarga eléctrica. Puede causar descarga eléctrica, quemaduras o muerte. Desconecte la corriente eléctrica a la bomba antes de trabajar en la bomba o motor.

1. Drene y quite la bomba vieja. Revise la tubería vieja por incrustaciones, cal, óxido, etcétera, y reemplácela si es necesario.
2. Instale el medidor de presión en el cuerpo de la bomba.
3. Instale la bomba en el sistema. Asegúrese de que todas las juntas de la tubería en la tubería de succión estén herméticas y estancas al agua. Si la tubería de succión puede succionar aire, la bomba no podrá sacar agua del pozo.
4. Ajuste la altura de montaje de la bomba de manera que las conexiones de plomería no pongan una tensión en el cuerpo de la bomba. Apoye la tubería para que el cuerpo de la bomba no tome el peso de las tuberías o accesorios.

Usted acaba de terminar la instalación de cañerías de pozo para su nueva bomba inyectora de pozo poco profundo. Por favor, diríjase a la tubería de descarga y a las conexiones de tanque.



Instalación de Pozos Poco Profundos (seguido)

Instalación de nuevo pozo poco profundo (profundidad hasta el agua de 25 pies o menos)



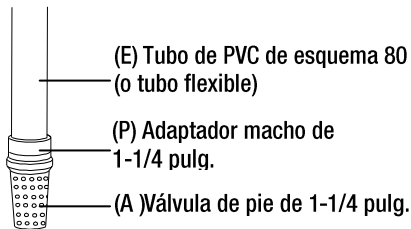
CAUTELA: Siempre use la manilla para levantar la bomba. Nunca use el cordón o el cable eléctrico para levantar la bomba. Para evitar quemaduras, desconecte la bomba y permita un tiempo para que la bomba se enfríe después de un largo tiempo de uso.

1 Conexión del (E) tubo de PVC o flexible de cédula 80 a la (A) válvula de pie. Repase los códigos locales para conocer las especificaciones de tubos



ADVERTENCIA: Lea las instrucciones de cemento cuidadosamente y asegúrese de que las conexiones de las tuberías son lo suficientemente fuertes. Esta bomba podría construir hasta 70 psi de presión en el sistema. Si las juntas de la tubería son débiles, la válvula de tubería y el pie se podría falló con un globo y caer en el pozo por la alta presión del sistema.

- Reste 5 pies de la profundidad de su pozo. Esta es la longitud total del tubo de PVC o flexible.
- Conecte una sección del tubo de PVC o tubería flexible a la válvula de pie.

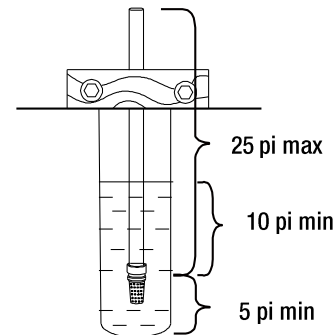


2 Desplace el montaje del tubo dentro del pozo perforado existente.

- Antes de introducir el montaje de tubo cuidadosamente adentro del pozo, firmemente sujeta el montaje a una abrazadera (no incluido) para que no se resbale en el pozo.

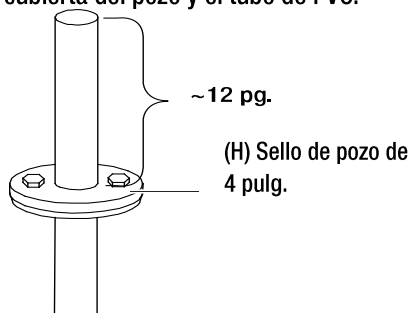


NOTA: NO deje que el montaje deslice hacia abajo en el pozo.



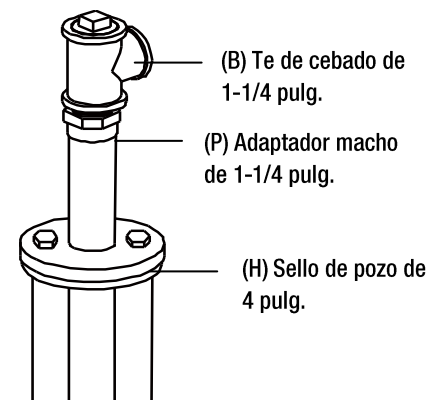
3 Desplace un (H) sello de pozo de 4 pulg. sobre el (E) tubo de PVC o flexible

- Remueva la abrazadera del tubo y desplace el (H) sello de tubo de 4 pulg. (se vende por separado) sobre el tubo de PVC o flexible y sobre la cubierta del pozo (no se muestra).
- El tubo de PVC o flexible se debe extender unas 12 pulg. del sello del tubo, dependiendo de la altura de la ubicación de la bomba.
- Ajuste el sello del pozo hasta que las juntas de caucho se ajusten a la cubierta del pozo y el tubo de PVC.



4 Coloque un (B) conector de sellado en T de 1-1/4 pulg. con tapón al tubo de PVC o flexible

- Coloque un (B) conector de sellado en T con tapón de 1-1/4 pulg. (se vende por separado) al tubo rígido que se extiende desde el sello del pozo.

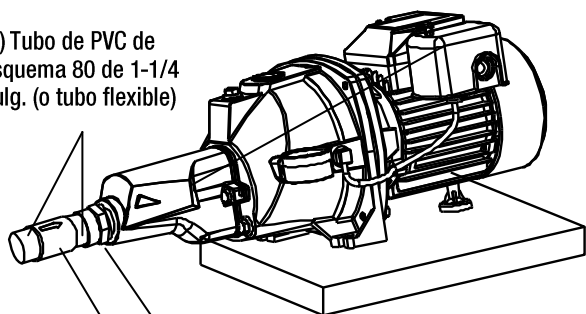


Instalación de Pozos Poco Profundos (seguido)

5 Conecte el (E) tubo de PVC o flexible a la entrada de la bomba

- Coloque la bomba tan cerca del pozo como sea posible.
- Conecte una sección del tubo de PVC de 1-1/4 pulg. a la entrada de la bomba.
- Coloque una (J) válvula de verificación de 1-1/4 pulg. (se vende por separado) al otro extremo del tubo de PVC o Flexible.
- Coloque otra sección del tubo de PVC o flexible de 1-1/4 pulg. al otro extremo de la válvula de verificación

(E) Tubo de PVC de esquema 80 de 1-1/4 pulg. (o tubo flexible)

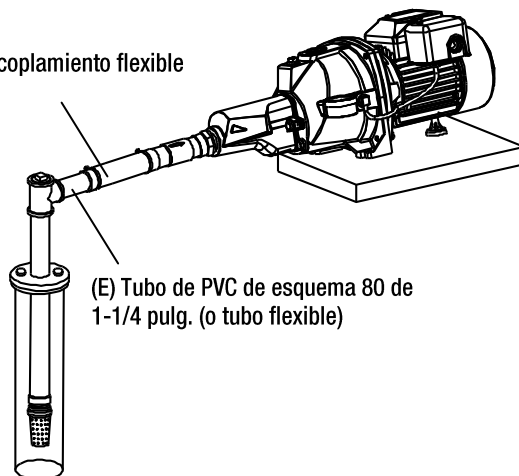


(P) Adaptador macho de 1-1/4 pulg.
(J) Válvula de retención de 1-1/4 pulg.

6 Conexión del tubo de PVC desde la bomba al tubo de PVC que sale del pozo

- Mida la distancia desde el tubo de PVC que se extiende desde la válvula de verificación al tubo de PVC que se extiende desde el conector de sellado en T del pozo. Esa será la longitud del tubo de PVC o flexible necesaria para conectar la bomba al pozo.
- Con (I) acoplamientos flexibles de PVC, conecte ambos extremos del tubo de PVC a la bomba y al extremo del pozo.
- Ajuste el tubo flexible con abrazaderas a cada extremo.
- Asegúrese de que el tubo de PVC o flexible se incline levemente de manera descendiente hacia el pozo para evitar que quede aire atrapado en el tubo.

(I) Acoplamiento flexible

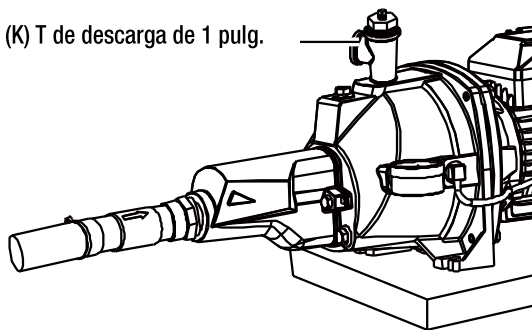


(E) Tubo de PVC de esquema 80 de 1-1/4 pulg. (o tubo flexible)

7 Conexión de un (K) conector en T de descarga de 1 pulg. (se vende por separado) a la salida de la bomba.

- Envuelva cinta para sellar roscas sobre los tubos de un "T" (tee) de descarga de 1 pg. (vendido separadamente).
- Usando una llave de mordazas para tubería, conecte el "T" de 1 pg.

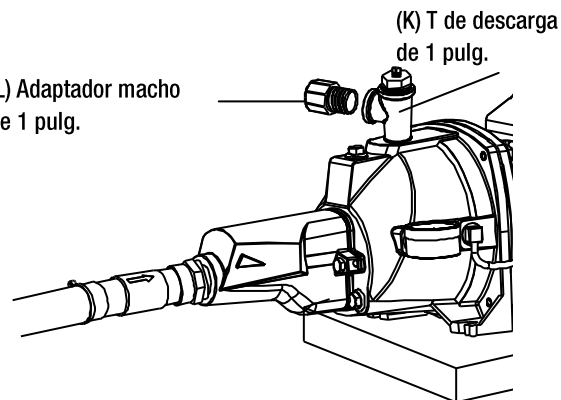
(K) T de descarga de 1 pulg.



8 Conexión de un (L) adaptador macho de 1 pulg. al conector en T de descarga de la bomba de salida.

- Envuelva cinta para sellar roscas sobre los tubos de un adaptador PVC de 1 pg. (vendido separadamente).
- Conecte el adaptador al "T" de descarga.

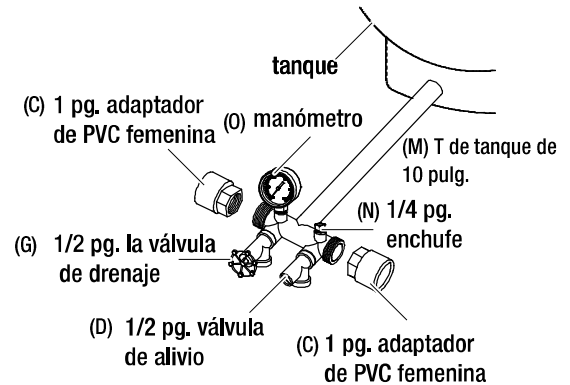
(L) Adaptador macho de 1 pulg.



Instalación de Pozos Poco Profundos (seguido)

9 Conexión de un (M) conector en T de tanque de 10 pulg. al tanque de presión (el tamaño del conector en T de tanque puede variar en función del tamaño del tanque)

- Envuelva todas las roscas del conector en T de tanque con cinta para roscado.
- Para que la bomba y el tanque de presión (se vende por separado) funcionen de manera adecuada, se debe drenar el agua del tanque de presión ANTES DE INSTALAR LA BOMBA.
- Enrosque un (M) conector en T de tanque de 10 pulg. (se vende por separado) o del tamaño recomendado en función del tamaño del tanque.
- En la parte superior del conector en T de tanque que mira al sistema de la bomba, tape la salida con un (N) tapón de 1/4 pulg. (se vende por separado).
- En el extremo opuesto del conector en T del tanque, instale una (O) bomba de presión (se vende por separado) dentro de la salida de la conexión en T del tanque.
- En cada entrada lateral del conector en T del tanque, enrosque un (C) adaptador de PVC hembra de 1 pulg.
- En la parte frontal del conector en T del tanque que tiene el tapón de 1/4 pulg., enrosque una (D) válvula de alivio de 1/2 pulg. (se vende por separado).
- En la parte frontal del conector en T del tanque que tiene el medidor de presión, enrosque una (G) válvula de drenaje de 1/2 pulg. (se vende por separado).

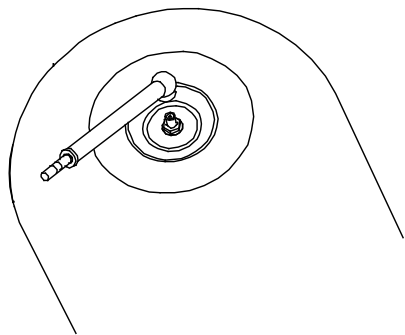


10 Comprobación de la presión en el tanque

- La presión de aire en el tanque tiene que estar 2 psi menos del nivel de comienzo del interruptor de presión.



NOTA: La bomba tiene un interruptor de presión de 30/50 psi, que significa que en nivel de comienzo es 30 psi; así que, el tanque se tiene que ajustar a 28 psi. Para chequear la presión en el tanque, use un manómetro de llantas (no incluido). Si se requiere más aire, añada aire al tanque con una bomba de llanta o un compresor de aire. Si se requiere menos, deje salir un poco de aire.

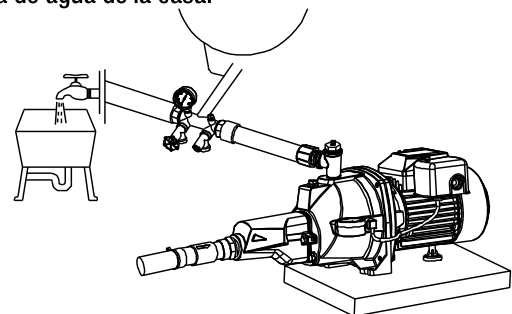


11 Conexión de los tubos de la bomba al sistema de tanques



CAUTELA: Nunca instale una válvula de corte entre la bomba y el tanque, porque esto puede causar pérdida de fricción excesiva y puede dañar el interruptor de presión y/o la bomba. Si es necesario, sólo instale una válvula de entrada completamente abierta (vendida separadamente).

- Usando la imprimadora púrpura y el cemento PVC, sujete una sección de tubo PVC de 1 pg. (vendido separadamente) en cuanto se requiera para conectar un adaptador macho de PVC en el 'T' (tee) de descarga al adaptador hembra de PVC en el 'T' (tee) de tanque.
- Sujete otra sección de tubo PVC de 1 pg. (vendido separadamente) en cuanto se requiera para conectar el otro adaptador hembra de PVC de 1 pg. en el 'T' (tee) de tanque al sistema de agua de la casa.



Instalación de Pozos Poco Profundos (seguido)

12 Cebiar la bomba y la tubería rígida



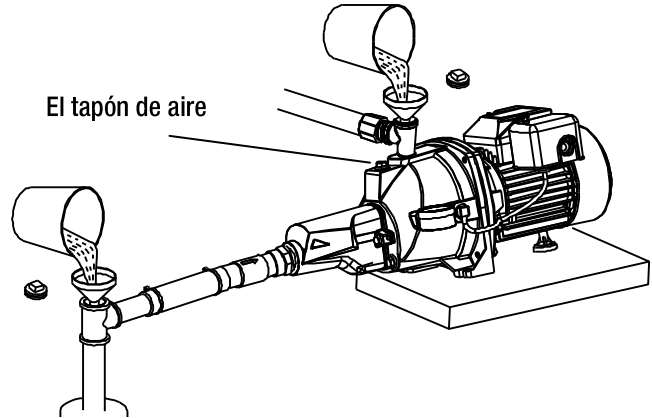
ADVERTENCIA: Si el nivel de la bomba es inferior del tubo de aspiración, el aire puede atrapar en la tubería. La bomba no funcione correctamente.

- Para cebiar, retire:
 - a. Los dos tapones de la parte superior de las "T" de descarga (aquí el agua se llenará), y;
 - b. El tapón de aire delante de la "T" de descarga (esto es para permitir que el aire se ventile durante el cebado). Llene las dos "T" de descarga con agua hasta que el agua se desborde.



NOTA: Puede tomar algún tiempo para llenar completamente las tuberías y la bomba (A) completamente. Seguir viendo el nivel del agua tee descarga y asegúrese de que el nivel del agua es estable y no hay burbujas de aire salen desde el tee de descarga.

- Recubra los dos tapones de la "T" de descarga y las roscas del tapón de ventilación con material de sellado y vuelva a conectar a la bomba. Ajuste con una llave.



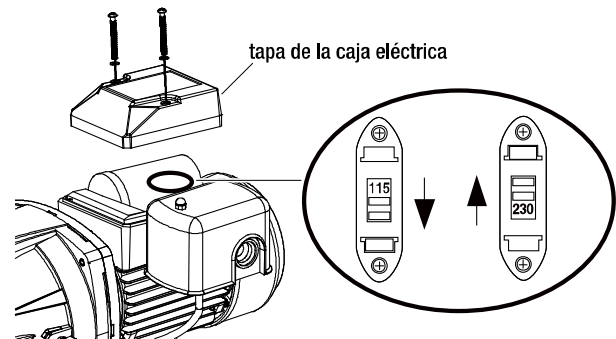
13 Ajuste de la tension



ADVERTENCIA: Todo trabajo de electricidad debería ser hecho por un electricista licenciado.

- La bomba está preprogramada para operar a 230 voltios.
- Si la fuente de electricidad es de 115 voltios, quite la cubierta del compartimento de electricidad.
- Ajuste el interruptor a 115 voltios.
- Coloque de nuevo la cubierta.

Vaya a la sección Instrucciones de montaje del conmutador de presión de abajo.



Instrucciones para Montaje de Interruptor de Presión



ADVERTENCIA: Antes de cablear el interruptor de presión, apague la fuente a que Usted está conectando para evitar un shock eléctrico potencialmente fatal.



ADVERTENCIA: Es recomendado que todo trabajo eléctrico sea hecho por un electricista licenciado.



ADVERTENCIA: Cuando cablee de la fuente de electricidad al interruptor de presión, es recomendado que Usted use un cable de calibre-14 o calibre-12.

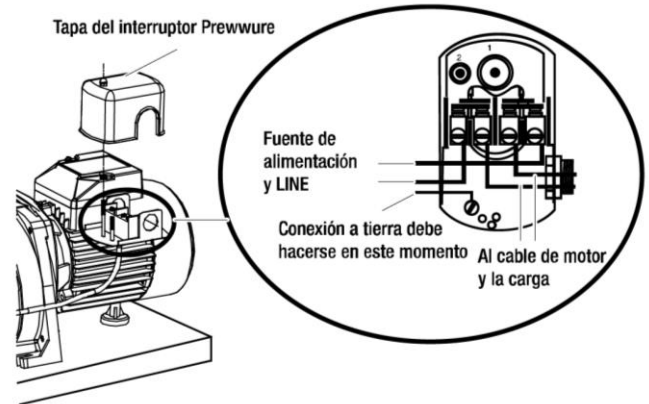
Para completar la instalación, Usted tiene que conectar la fuente de electricidad al interruptor de presión. Un interruptor de 30/50 PSI ha sido instalado en la bomba. El interruptor de presión permite función automática; la bomba prende cuando la presión baje a nivel de conexión (30 PSI preprogramado).

Para cablear el interruptor de presión:

- Quite la cubierta del interruptor de presión para exponer los terminales de cables.
- Conecte el cable verde de toma de tierra de la fuente de electricidad al terminal de cable de toma de tierra.
- Conecte los cables de la fuente de electricidad a los dos terminales periféricos marcados "LINE" y coloque la cubierta de nuevo.



CAUTELA: NO use un conjunto interruptor de presión a una presión superior a 50 psi. La bomba no creará presiones mayor que 50 psi, si por lo que la bomba nunca se apagará, lo que resulta en daños a la bomba y anular la garantía.



La bomba está lista para su uso. Abra un grifo cerca de la bomba. Encienda la bomba. El agua debe salir de la llave de agua en pocos minutos. Si no sale agua, apague la bomba y el agua re-prime desde el tee de descarga.

Para los pozos de 25 a 70 pies de profundidad, instalaciones para pozos profundos deben adaptarse. Las instalaciones de pozos profundos tienen una tubería de 1-1/4 pulgadas y una tubería de 1 pulgada entre la bomba y el eyector.

Instalación del Pozo Profundo

MATERIALES NECESARIOS (NO INCLUIDO)

Artículos adicionales necesarios	Tamaño	N.º de Internet
(A) Válvula de pie de 1-1/4 pulg.	1	205618048
(B) Te de cebado de 1-1/4 pulg.	1	100120387
(C) Adaptador hembra de PVC de 1 pulg.	4	100347423
(D) Válvula de escape de presión de 1/2 pulg.	1	205149183
(E) Tubo de PVC de esquema 80 de 1-1/4 pulg. (o tubo flexible)		100182626
(F) Acoplamiento de 1-1/4 pulg. (requerido al usar tubería de PVC)		203811387
(G) Válvula de drenaje de 1/2 pulg. x 1/2 pulg.	1	205812176
(H) Sello de pozo de 4 pulg.	1	300494432
(I) Acoplamiento flexible de PVC de 1-1/4 pulg. (requerido al usar tubería de PVC)	1	100055392
(L) Adaptador macho de 1 pulg.	1	100344011

Artículos adicionales necesarios	Tamaño	N.º de Internet
(M) Te del tanque de 10 pulg. (o tamaño recomendado de acuerdo con el tamaño del tanque)	1	205618015
(N) Tapón de 1/4 pulg.	1	100204497
(O) Indicador de presión de 2 pulg. de 0-100 psi	1	205962440
(P) Adaptador macho de 1-1/4 pulg.	4	203811644
(Q) Tubo de PVC de esquema 80 de 1 pulg. o tubo flexible		202280936
(R) Codo de PVC de 1 pulg.	1	100346841
(S) Acoplamiento de PVC de 1 pulg.		100343722
(T) Boquilla de 1 pulg. x 3 pulg.	2	100191626
(U) Boquilla de acero galvanizado de 1-1/4 pulg. x 4 pulg.	1	100209692
(V) Acoplamiento flexible de PVC de 1 pulg. (requerido al usar tubería de PVC)	1	202245805

Instalación del Pozo Profundo (seguido)



ADVERTENCIA: Todas las juntas y conexiones deberían ser BIEN APRETADAS. Una sola fuga puede impedir operación propia de la bomba. Envuelva cinta para sellar roscas en dirección de reloj sobre todas las conexiones de roscas. Para otras conexiones, Ud. debe usar imprimador púrpura y cemento PVC para asegurar conexiones apretadas. Mide todas las distancias antes de conectar roscas.



NOTA: El kit de expulsión de fábrica es para la aplicación en pozo poco profundo. Para la instalación en pozo profundo, el tubo de venturi (B) (J32P-18/#11) y la boquilla (C) (#02) tienen que ser instalados.

CAMBIO DE UNA BOMBA EXISTENTE



ADVERTENCIA: Riesgo de descarga eléctrica. Puede causar descarga eléctrica, quemaduras o muerte. Desconecte la corriente eléctrica a la bomba antes de trabajar en la bomba o motor.

1. Drene y quite la bomba vieja y el eyector en el pozo. Revise la tubería por incrustaciones, cal, óxido, etcétera, y reemplácela si es necesario.



NOTA: Su eyector viejo (en el pozo) no puede ser combinado con su nueva bomba. Debe utilizar el eyector incluido para su nueva bomba.

2. Consulte las siguientes instrucciones para terminar la instalación de la nueva bomba.

INSTALACIÓN NUEVA EN POZO PROFUNDO (4" O BIEN MAYOR)

1 Extracción de la boquilla y venturi pre-ensamblados

- Extraiga el eyector pre-ensamblado primero, luego retire la boquilla y venturi pre-ensamblados.

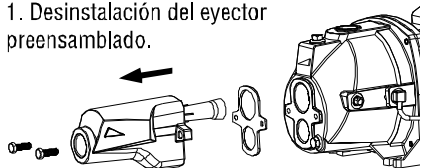


NOTA: SKU 1001 480 251, Gire el tubo de venturi (#13) hacia la izquierda. Retire el tubo de venturi (#13) y la boquilla (#04) con una junta tórica del eyector.



NOTA: SKU 1001 480 255, Gire el tubo de venturi (#14) hacia la izquierda. Retire el tubo de venturi (#14) y la boquilla (#04) con una junta tórica del eyector.

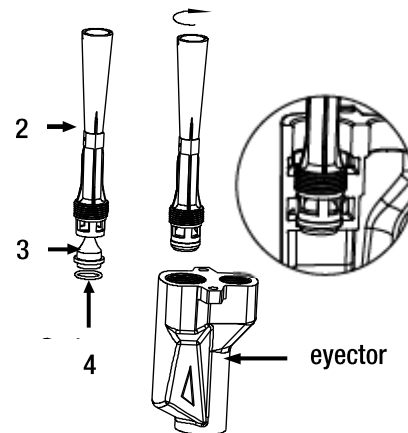
1. Desinstalación del eyector preensamblado.



2. Desinstalación de la boquilla y venturi (difusor) preensamblados.

2 Conexión de la boquilla y venturi al eyector

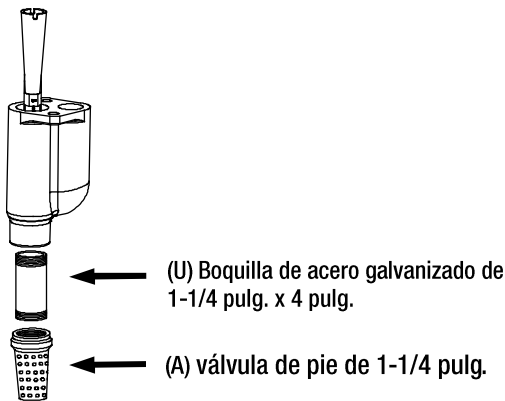
- Recubra las roscas del tubo de venturi (2) (J32P-18/#11) con material de sellado.
- Conecte la junta tórica (4) en la boquilla (3) (#02) y atornille la boquilla (3) (#02) en el tubo de venturi (2) (J32P-18/#11).
- Conecte el tubo de venturi (2) (J32P-18/#11) a la boquilla (3) y junta tórica (4) al eyector.



Instalación del Pozo Profundo (seguido)

3 Conexión de una (A) válvula de pie al eyector

- Envuelva ambos extremos de una (U) boquilla de 1-1/4 pulg. x 4 pulg. (se vende por separado) con cinta para roscado.
- Enrosque la boquilla dentro de la (A) válvula de pie de 1-1/4 pulg. (se vende por separado).
- Ensarte el otro extremo de la boquilla roscada en la parte inferior del eyector.
- Ajuste con la mano, y luego ajuste con 1-1/2 vuelta con una llave de tubo.

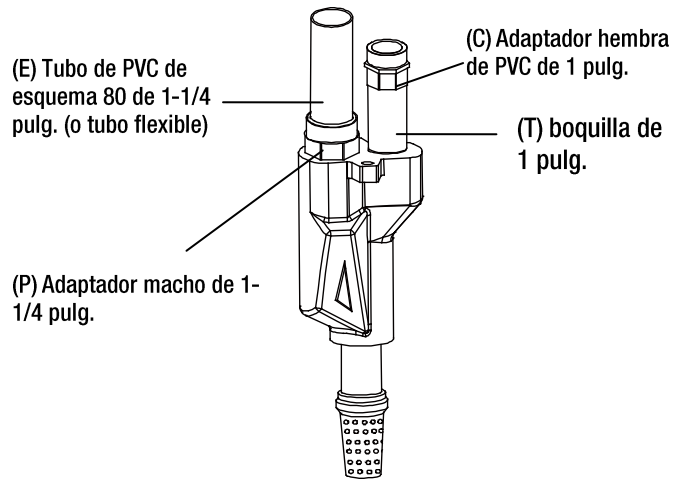


4 Conexión de un eyector a la (T) boquilla de 1 pulg. o el tubo flexible, y de un (E) tubo de PVC o flexible de con cédula 80 de 1-1/4 pulg. al eyector

- La cantidad de tubo de PVC o flexible es en función de la profundidad del pozo al agua

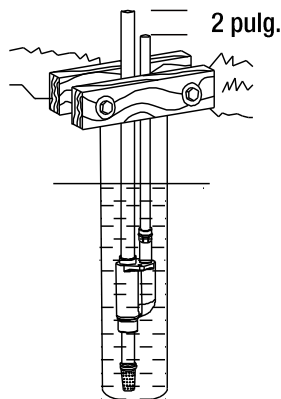


NOTA: Si utiliza tubería de PVC para conectar, se necesita una boquilla roscada de 1 x 3 pulgadas.



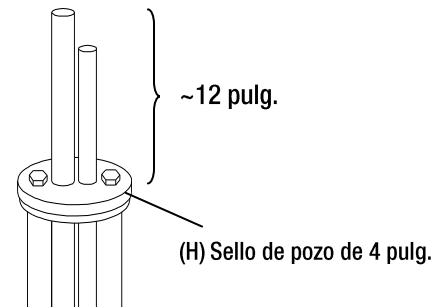
5 Deslizar el conjunto de la tubería en el pozo

- Antes de introducir el montaje de tubo cuidadosamente adentro del pozo, firmemente sujeta el montaje a una abrazadera (no incluido) para que no se resbale en el pozo.
- Mantenga la tubería de 1 pulgada más corta que la tubería de 1-1/4 pulgada.
- La cantidad de tubo de PVC o flexible es en función de la profundidad del pozo al agua



6 Desplace un (H) sello de pozo de 4 pulg. sobre el (E) tubo de PVC o flexible

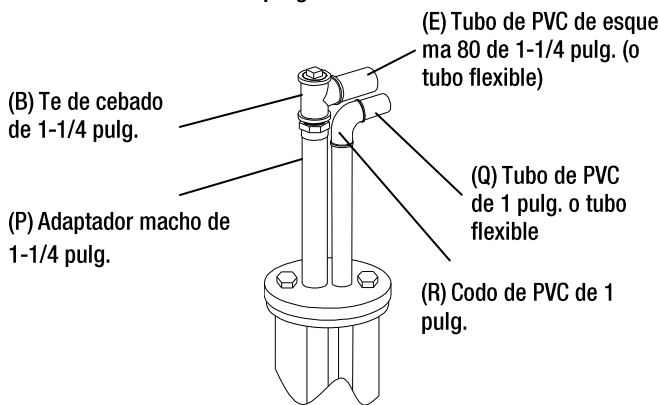
- Remueva la abrazadera del tubo y desplace el (H) sello de tubo de 4 pulg. (se vende por separado) sobre el tubo de PVC o flexible y sobre la cubierta del pozo (no se muestra).
- El tubo de PVC o flexible se debe extender unas 12 pulg. del sello del tubo, dependiendo de la altura de la ubicación de la bomba.
- Ajuste el sello del pozo hasta que las juntas de caucho se ajusten a la cubierta del pozo y el tubo de PVC.



Instalación del Pozo Profundo (seguido)

7 Colocación de un (R) codo de PVC de 1 pulg. y un (B) conector en T de sellado de 1-1/4 pulg. al tubo de PVC o flexible

- ❑ Coloque un (R) codo de PVC de 1 pulg. y una (B) conexión en T de sellado de 1-1/4 pulg. (ambos mirando a la bomba) a los tubos que se extienden desde el pozo.
- ❑ Conecte el (Q) tubo de PVC o flexible de 1 pulg. al codo de 1 pulg.
- ❑ Conecte el (P) adaptador macho de 1-1/4 pulg. al tubo de PVC de 1-1/4 pulg. desde el pozo.
- ❑ Conecte el (E) tubo de PVC o flexible de 1-1/4 pulg. a la conexión en T de sellado de 1-1/4 pulg.

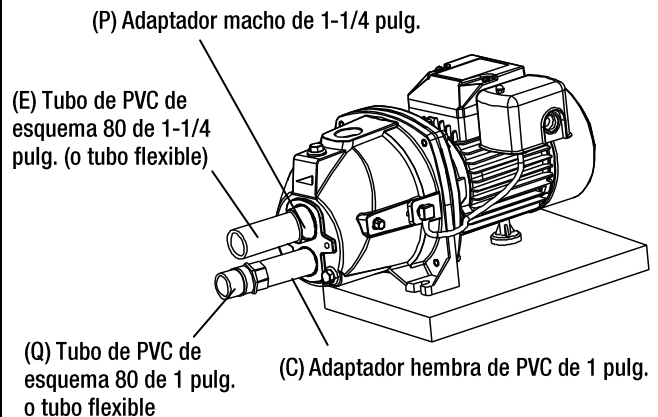


8 Conexión de la tubería rígida al cuerpo de la bomba

- ❑ Coloque la bomba tan cerca del pozo como sea posible.
- ❑ Conecte dos secciones de tubo de PVC o flexible al (Q) accionamiento de 1 pulg. del cuerpo de la bomba, y a la (E) succión de 1-1/4 pulg.

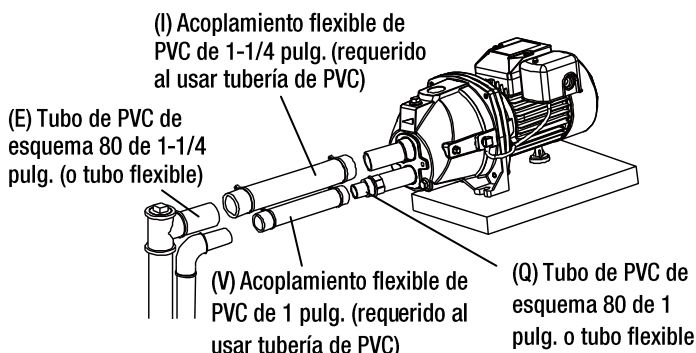


NOTA: Si se usa el tubo de PVC para la conexión, será necesaria una boquilla de 1 pulg. x 3 pulg.



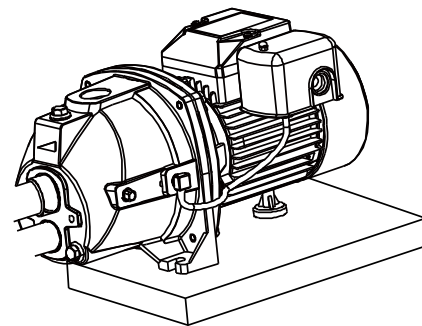
9 Conexión de los tubos del pozo a la bomba

- ❑ Mida la distancia desde el tubo de PVC que se extiende desde la válvula de verificación al tubo de PVC que se extiende desde el conector de sellado en T del pozo. Esa será la longitud del tubo de PVC o flexible necesaria para conectar la bomba al pozo para los tubos de 1 pulg y de 1-1/4 pulg.
- ❑ Con (I) acoplamientos flexibles de PVC o (F) acoplamientos de PVC, conecte ambos extremos del tubo de PVC de 1-1/4 pulg. a la bomba y el extremo del pozo. Use los (I) acoplamientos flexibles de PVC de 1 pulg. para conectar ambos extremos del tubo de PVC de 1 pulg. a la bomba y el extremo del pozo.
- ❑ Ajuste el tubo flexible con abrazaderas a cada extremo.
- ❑ Asegúrese de que el tubo de PVC o flexible se incline levemente de manera descendiente hacia el pozo para evitar que quede aire atrapado en el tubo.



10 Extracción de la pieza de inserción del codo del cuerpo de bomba

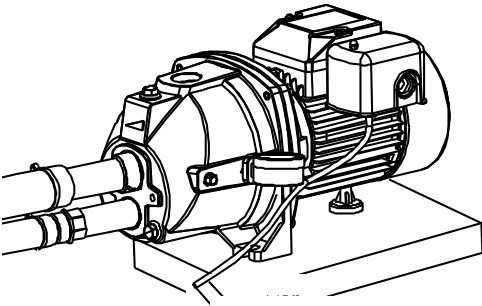
- ❑ Saque el tubo de presión de la inserción del codo de 90° grados.
- ❑ Desconecte y quite la inserción del codo del cuerpo de la bomba.



Instalación del Pozo Profundo (seguido)

11 Conexión del medidor de presión al orificio de inserción del codo

- Recubra las roscas del medidor de presión de 1/4 pulgadas (incluido) o tape con material de sellado y páselo por el orificio de inserción del codo.
- Corte la porción expandida del tubo de presión.



Cortado 1/2 pg.

12 Cebado de la bomba y tubería

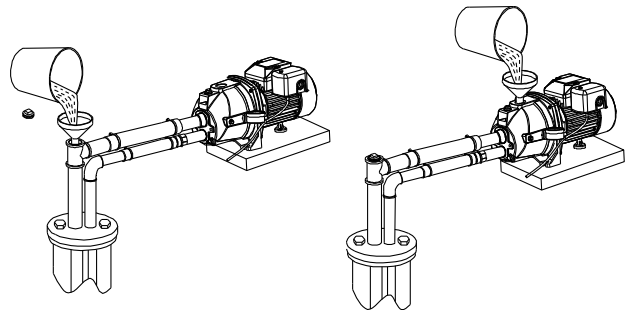
- Llenar el tubo con agua hasta que el agua se desborda. Vuelva a colocar el tapón de nuevo a la camiseta.
- Llene la bomba con agua hasta que el agua se desborda.



NOTA: Se puede demorar varios minutos para llenar los tubos y la bomba completamente.



NOTA: Si la bomba no ceba totalmente, inspeccione todos los tubos y todas las conexiones por fugas y repárelas.



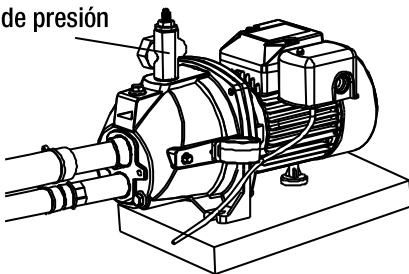
13 Conexión del regulador de presión a la bomba

- Envuelva cinta para sellar roscas sobre todos los tubo de un regulador (5)de presión de 1 pulg. (vendido separadamente).
- Usando una llave de tubo, conecte el regulador (5)de presión al hueco de descarga en la parte de arriba de la bomba.



NOTA: Este regulador de presión es una válvula que se cierra normalmente y que está instalado en la descarga de la bomba para proporcionar una obstrucción al flujo y así mismo regular la presión de bomba y proporcionar una presión de respaldo para el eyector. La falta de usar este artículo puede causar que la bomba no ceba correctamente o que haya presión baja.

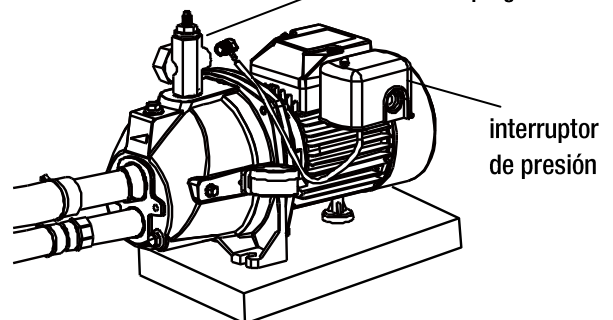
regulador de presión



14 Conexión del codo de latón al regulador de presión

- Ensarte la inserción del codo de 1/4 pulgadas en el orificio de 1/4 pulgadas en el lateral del regulador de presión.
- Deslice el tubo de presión (que se conecta con el interruptor de presión de la bomba o incluido con el kit regulador) sobre el codo de bronce de 1/4 pulgadas y el conector del interruptor de presión.

orificio de 1/4 pulg.

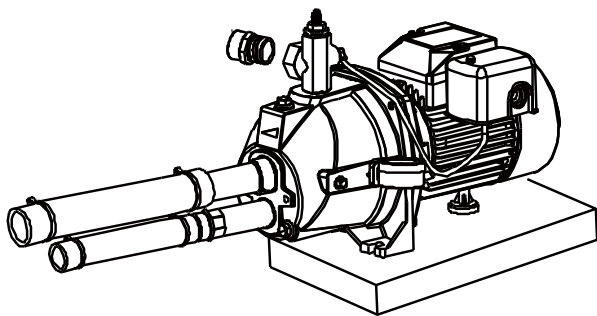


interruptor de presión

Instalación del Pozo Profundo (seguido)

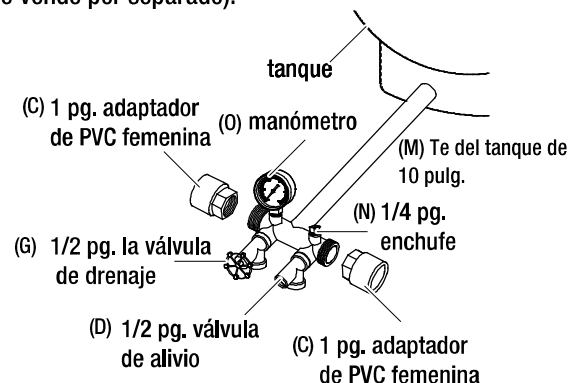
15 Conexión del adaptador de PVC para el regulador de presión

- Envuelva la cinta para sellar roscas sobre los tubos macho (MPT) de 3/4 pulg. x 1 pulg. adaptador PVC (vendido separadamente).
- Conecte el adaptador en el regulador de presión.



16 Conexión de una camiseta del tanque del tanque de presión

- Envuelva todas las roscas del conector en T de tanque con cinta para roscado.
- Para que la bomba y el tanque de presión (se vende por separado) funcionen de manera adecuada, se debe drenar el agua del tanque de presión ANTES DE INSTALAR LA BOMBA.
- Enrosque un (M) conector en T de tanque de 10 pulg. (se vende por separado) o del tamaño recomendado en función del tamaño del tanque.
- En la parte superior del conector en T de tanque que mira al sistema de la bomba, tape la salida con un (N) tapón de 1/4 pulg. (se vende por separado).
- En el extremo opuesto del conector en T del tanque, instale una (O) bomba de presión (se vende por separado) dentro de la salida de la conexión en T del tanque.
- En cada entrada lateral del conector en T del tanque, enrosque un (C) adaptador de PVC hembra de 1 pulg.
- En la parte frontal del conector en T del tanque que tiene el tapón de 1/4 pulg., enrosque una (D) válvula de alivio de 1/2 pulg. (se vende por separado).
- En la parte frontal del conector en T del tanque que tiene el medidor de presión, enrosque una (G) válvula de drenaje de 1/2 pulg. (se vende por separado).

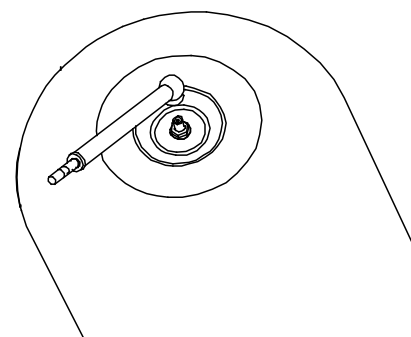


17 Comprobación de la presión en el tanque

- La presión de aire en el tanque tiene que estar 2 PSI menos del nivel de comienzo del interruptor de presión.



NOTA: La bomba tiene un interruptor de presión de 30/50 PSI, que significa que en nivel de comienzo es 30 PSI; así que, el tanque se tiene que ajustar a 28 PSI. Para chequear la presión en el tanque, use un manómetro de llantas (no incluido). Si se requiere más aire, añada aire al tanque con una bomba de llanta o un compresor de aire. Si se requiere menos, deje salir un poco de aire.



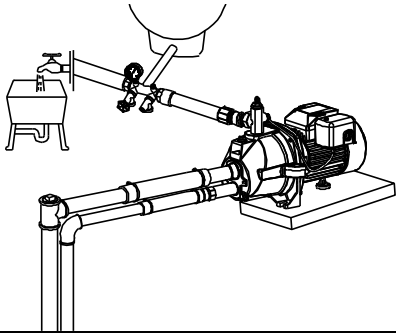
Instalación del Pozo Profundo (seguido)

18 Conexión de la bomba con el sistema de agua



CAUTELA: Nunca instale una válvula de interrupción entre la bomba y el tanque, porque esto puede causar excesiva pérdida de fricción y puede dañar el interruptor de presión y/o la bomba. Si es necesario, sólo instale una válvula de verja abierta (vendida separadamente).

- Con imprimación púrpura PVC y cemento PVC, conecte un tramo de tubería de PVC de 1 pulgada (se vende por separado), según sea necesario para conectar los 3/4 pulgadas MNPT x 1 pulg adaptador de PVC antideslizante en el regulador de presión.
- Sujete otra sección de tubo PVC de 1 pg. (vendido separadamente) en cuanto se requiera para conectar el otro adaptador hembra de PVC de 1 pg. en el 'T' (tee) de tanque al sistema de agua de la casa.

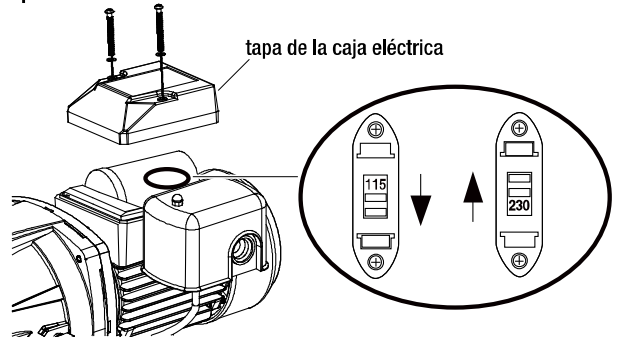


19 Ajuste de la tensión



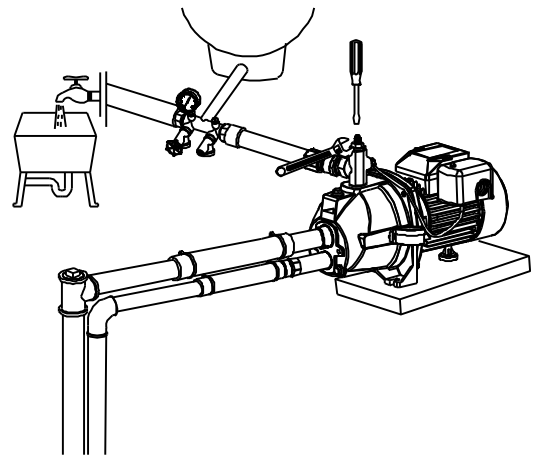
ADVERTENCIA: Todo trabajo de electricidad debería ser hecho por un electricista licenciado.

- La bomba está preprogramada para operar a 230 voltios.
- Si la fuente de electricidad es de 115 voltios, quite la cubierta del compartimento de electricidad.
- Ajuste el interruptor a 115 voltios.
- Coloque de nuevo la cubierta.



20 Ajuste el regulador de presión

- Gire el tornillo de ajuste del regulador apretadamente hacia abajo.
- Prende la bomba.
- Si la bomba ceba correctamente, una presión alta aparecerá inmediatamente en el manómetro.
- Mientras que la bomba esté operando en una presión alta, despaciosamente destornille el tornillo de ajuste hasta que se obtenga el máximo nivel de flujo de agua sin que la presión llegue a cero.
- Si la presión baja completamente, vuelva a apretar el tornillo y reajústelo.
- Si ninguna presión se manifiesta, apague la bomba, añada más agua, e intente de nuevo.
- Después de que el perno de ajuste se monte, cierre la tuerca en el perno.
- La bomba está lista para usar.



NOTA: El tornillo regulador de presión es muy apretado. Un conductor de tornillo grande necesita.

Vaya a la sección Instrucciones de montaje del conmutador de presión en la página 11 de este manual.

Solución de Problemas

Hacer

- Retire el tapón de drenaje (que se encuentra en la parte frontal de la bomba cerca del orificio de entrada) y el tapón de aire (ubicado en la parte superior de la bomba cerca del orificio de salida) para ventilar el sistema.
- Vacíe todas las tuberías a un punto por debajo de la línea de congelamiento.

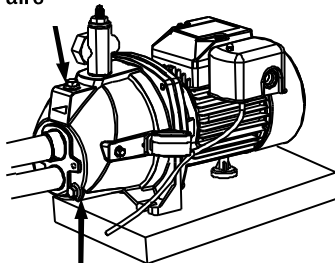
No Hacer

- No desbarate el compartimento del motor. Este motor NO tiene partes internas reparables, y el desmontaje de éste podría causar situaciones peligrosas a cerca del cableado eléctrico.



NOTA: Aunque esto va a drenar la bomba, no se drenará necesariamente todas las partes no protegidas del sistema de tuberías. Para drenar el tanque, desconecte la tubería en la salida del tanque.

Entrada de aire



el tapón de drenaje

Problema	Causa Posible	Acción Correctiva
Zumbido de la bomba	<ol style="list-style-type: none"> 1. El eje del motor atascado. 2. Se seleccionó el voltaje incorrecto. 	<ol style="list-style-type: none"> 1. 1.1 Utilice un destornillador de punta plana para girar el eje del motor a través del orificio central de la tapa del motor. A continuación, reinicie la bomba. 1.2 Limpiar el impulsor y el difusor. 2. La bomba está preconfigurada a 230 V. Consulte el manual para configurar el voltaje a 115 V.
No bombea agua o el caudal es escaso.	<ol style="list-style-type: none"> 1. Hay aire en la tubería o no se cebó. 2. Nivel de agua está debajo la válvula de pie 3. La válvula de pie está tapada o gotee. 4. El impulsor o el inyector están obstruidos por material extraño. 	<ol style="list-style-type: none"> 1. Pare el motor; quite manómetro o el tapón de cebar; llene los tubos con agua 2. Ajuste la ubicación de la bomba para que el tubo se incline en la dirección opuesta de la bomba 3. Baje el tubo de succión. Si el nivel de agua es más de 25 pies (7.62 metros), Usted necesitará una bomba de pozo profundo. 4. Limpiar el impulsor y el inyector.
La bomba no se detiene o la presión no se acumula.	<ol style="list-style-type: none"> 1. El impulsor o el inyector están obstruidos por material extraño. 2. Hay una fuga en la tubería 	<ol style="list-style-type: none"> 1. Limpiar el impulsor y el inyector. 2. Localice y repare fuga o reconecte (Usualmente un retrete o grifo con una fuga)
La bomba se prende y se apaga con demasiada frecuencia	<ol style="list-style-type: none"> 1. La presión en el tanque precargado no es correcta. 2. El interruptor de presión no funciona bien. 3. Hay un diafragma/cámara rota (tanque precargado). 	<ol style="list-style-type: none"> 1. Asegurarse de que la presión en el tanque precargado esté configurada a 2 PSI menos que la presión de conexión. 2. Reemplace el interruptor de presión. 3. Reemplace tanque



¿Preguntas, problemas, piezas que faltan? Antes de devolverla a la tienda,
llame a Servicio al Cliente de
8:00 AM a 6:00 pm EST de Lunes a Viernes.

1-844-241-5521

HOMEDEPOT.COM