



FRIGIDAIRE

Factory Parts Catalog

Product No.	FHWC3040MSB	FHWC3640MSB
Market	North America	North America
Color	stainless steel	stainless steel
Exhaust-CFM	300 CFM	300 CFM
Volts	120	120
Owner's Guide	316902497en	316902497en
Installation Instructions	316902497	316902497
Wiring Diagram	316902499	316902499

Frigidaire

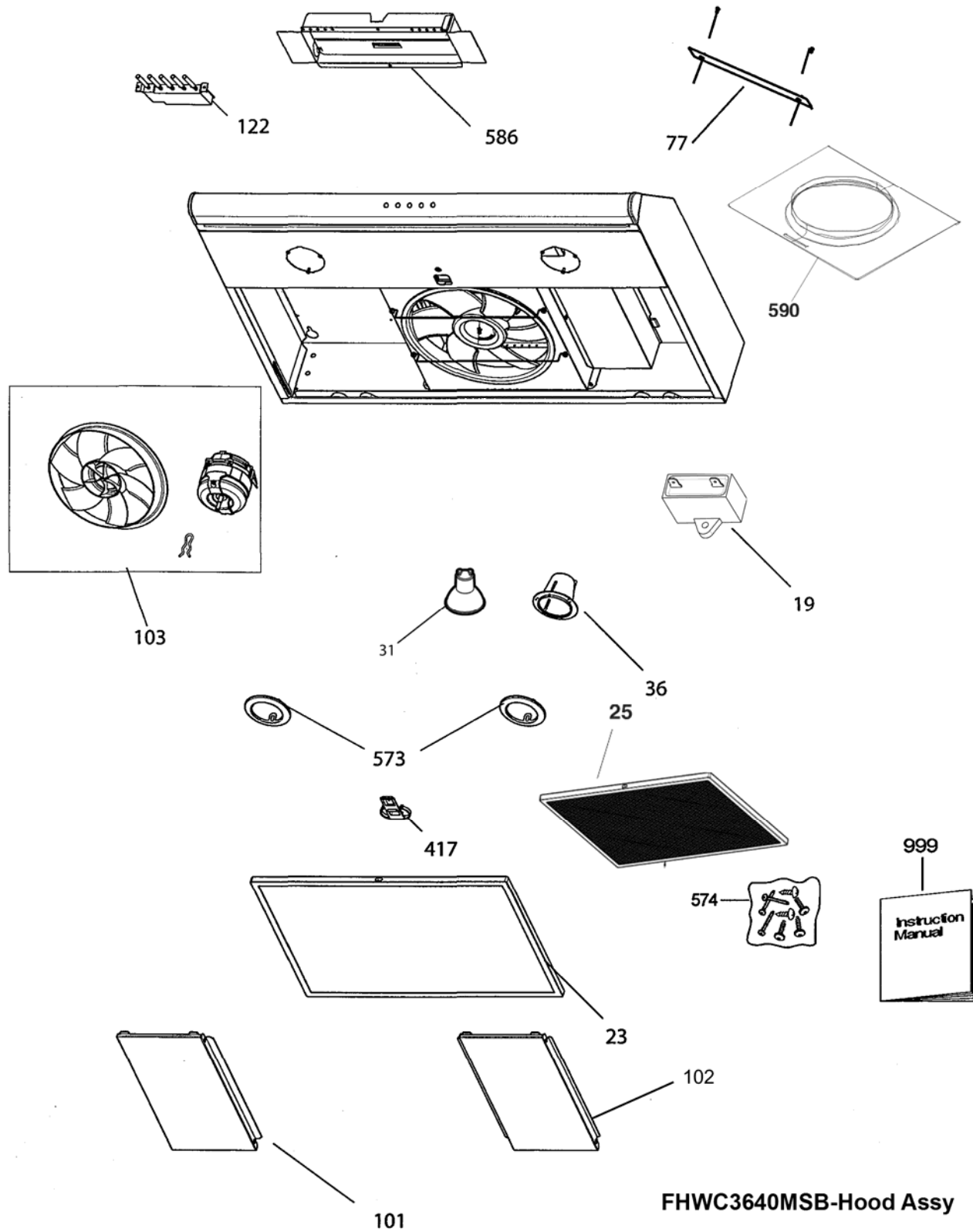
P.O. BOX 8020
CHARLOTTE, NC 28262

Publication No.
5995669024
15/10/08
(EN/SERVICE/KC)
099

RANGE HOOD

Model No.
FHWC3040M /
FHWC3640M

REPLACEMENT PARTS



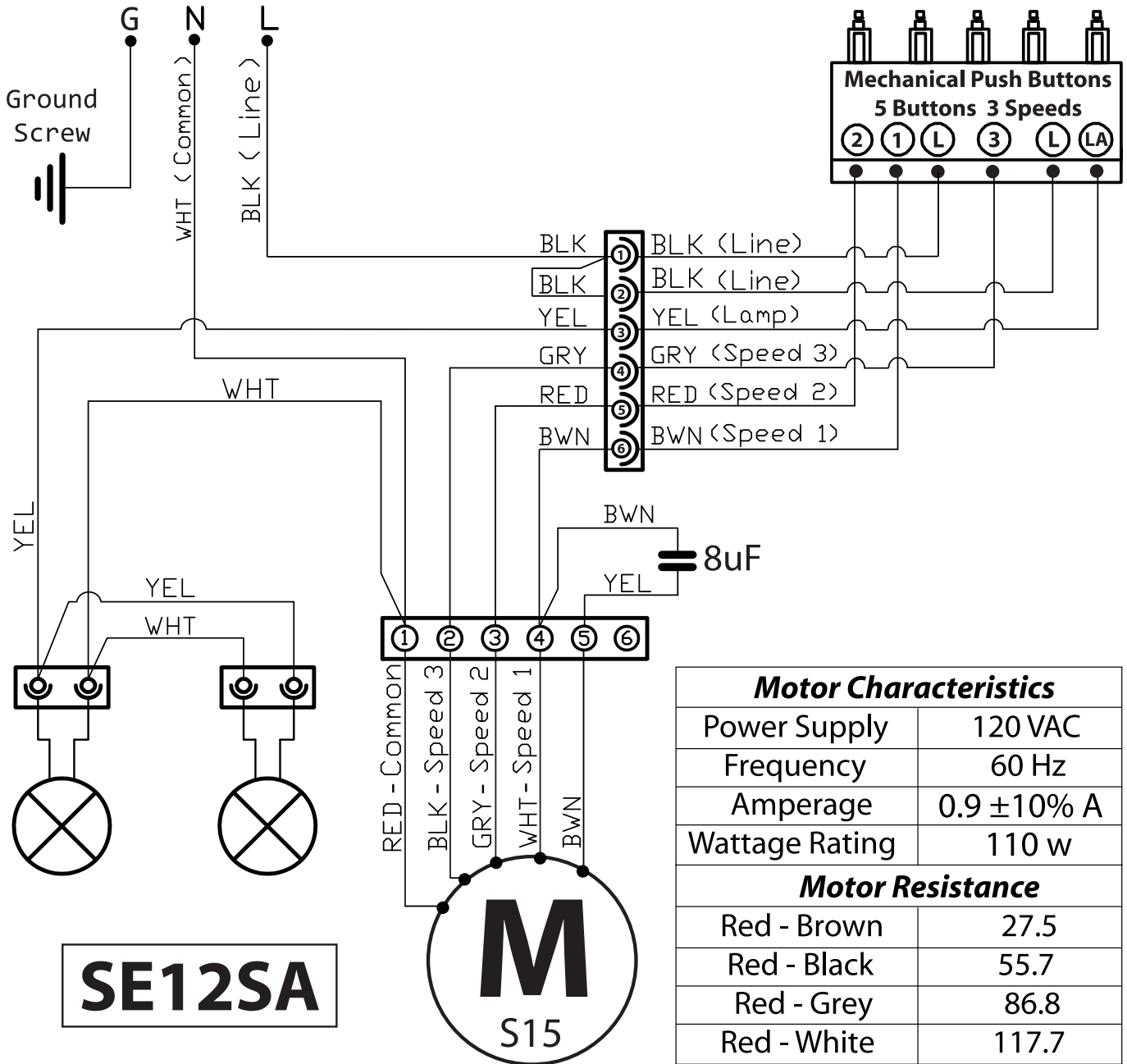
FHWC3640MSB-Hood Assy

REPLACEMENT PARTS

Model Index: **A** FHWC3040M (FHWC3040MSB)
 B FHWC3640M (FHWC3640MSB)

POS. NO	PART NO.		DESCRIPTION
19 #	5304503757	A B	Capacitor, 8 microfarad
23 #	5304491588	A B	Filter, grease, aluminum
25 #	5304486303	A B	Filter, air, charcoal, recirculation
31 #	5304466038	A B	Lamp, halogen, 50 W, 120 V
36 #	5304487848	A B	Lamp Holder, socket, w/housing
77	5304490030	A B	Cover, vent, stainless, rectangular
101	5304491596	A -	Panel, lateral, left side
101	5304491594	- B	Panel, lateral, left side
102	5304491597	A -	Panel, lateral, right side
102	5304491595	- B	Panel, lateral, right side
103#	5304491589	A B	Motor Assembly, with fan blade
122#	5304491590	A B	Control, push button
417	5304491591	A B	Latch, grease filter
573	5304487849	A B	Bezel, lamp assembly
574	5304491592	A B	Mounting Kit, hardware, w/screws
586	5304490028	A B	Damper, vent, 3-1/4" x 10"
590	5304487139	A B	Vent Transition Kit, round, 7"
999	5304491593	A B	Manual, use & care, installation

WIRING DIAGRAM



For supply connection use wires suitable for at least 75° (167°F)	Pour approvisionner la connection utilisez des cables appropriés pour au moins 75°C (167°F)
---	---