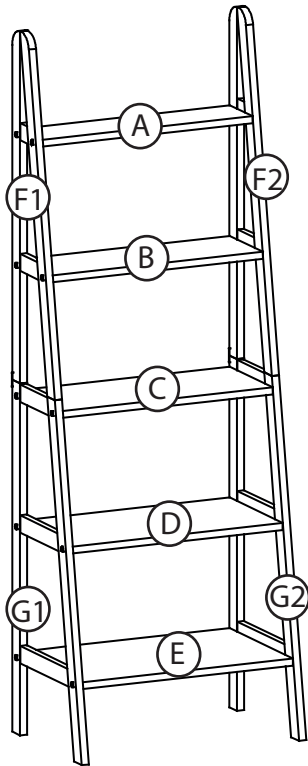


# Assembly Instruction Sheet

Item #176-5X  
Ladder Bookcase



## List of Parts

NO.	Description	Q'ty
A	SHELF A	1
B	SHELF B	1
C	SHELF C	1
D	SHELF D	1
E	SHELF E	1
F1	TOP FRAME LEFT	1
F2	TOP FRAME RIGHT	1
G1	BOTTOM FRAME LEFT	1
G2	BOTTOM FRAME RIGHT	1

## List of Hardware

Screw JCA 1/4" x 38 RF10020 20 pcs.	Screw P6 x 5/8" RF10080 4 pcs.	Metal Plate RF40214 2 pcs.	Allen Wrench RF40015 1 pc.

## Anti-Tipping

Screws F6 x 5/8" RF10004 4 pcs.	Screws F6 x 1 1/4" RF10002 2 pcs.	L-Bracket RF50003 2 pcs.

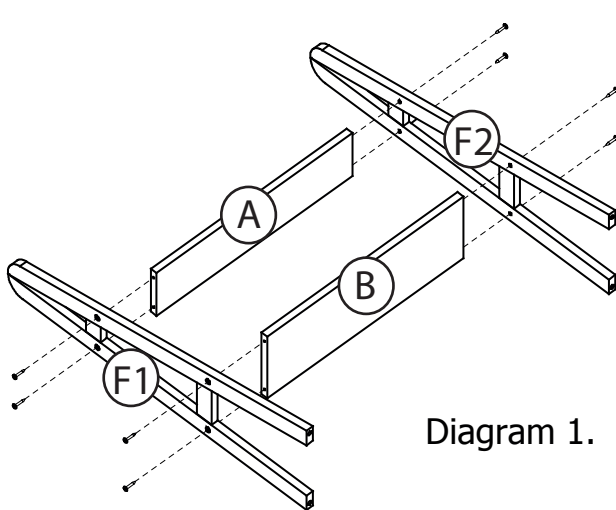


Diagram 1.

### Step 1:

Attach shelf (A), shelf (B), top frame left (F1) and top frame right (F2) together by using screw (RF10020) as per Diag.1.

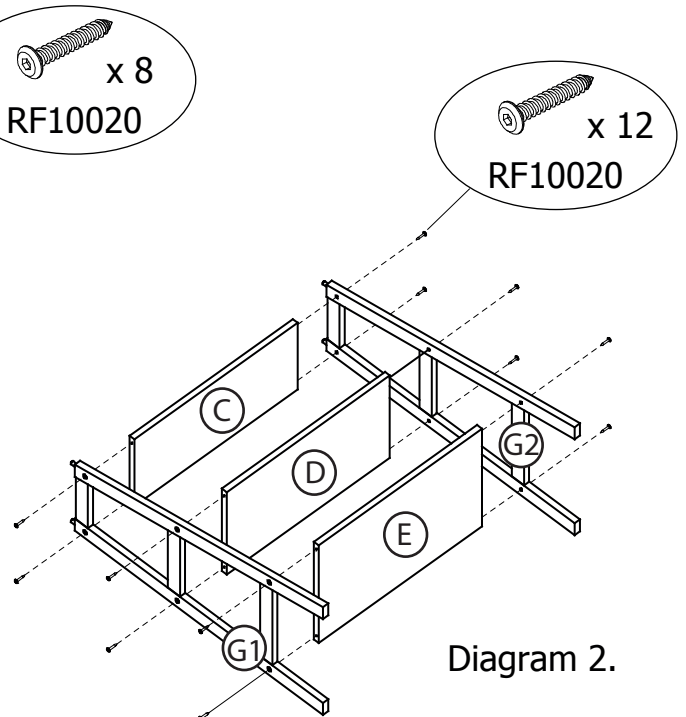


Diagram 2.

### Step 2:

Attach shelf (C), (D), (E), bottom frame left (G1) and bottom frame right (G2) together by using screw (RF10020) as per Diag.2.

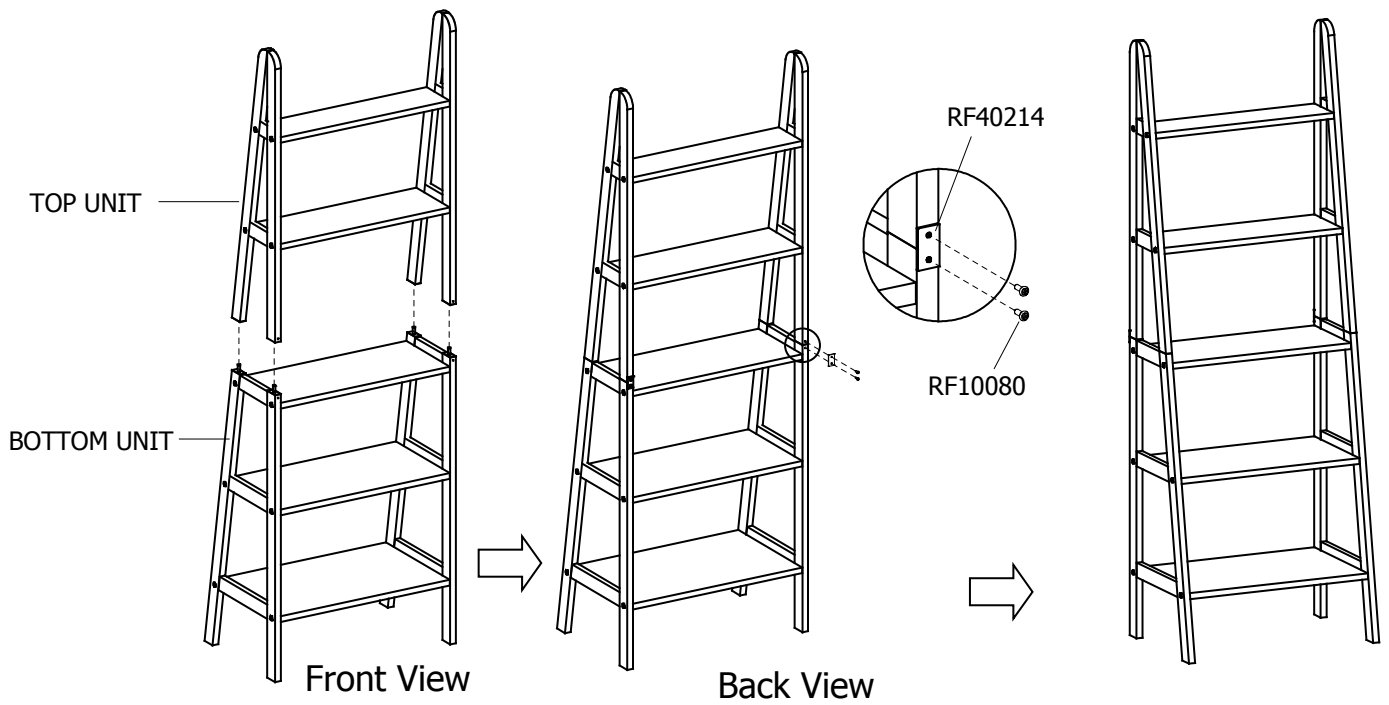
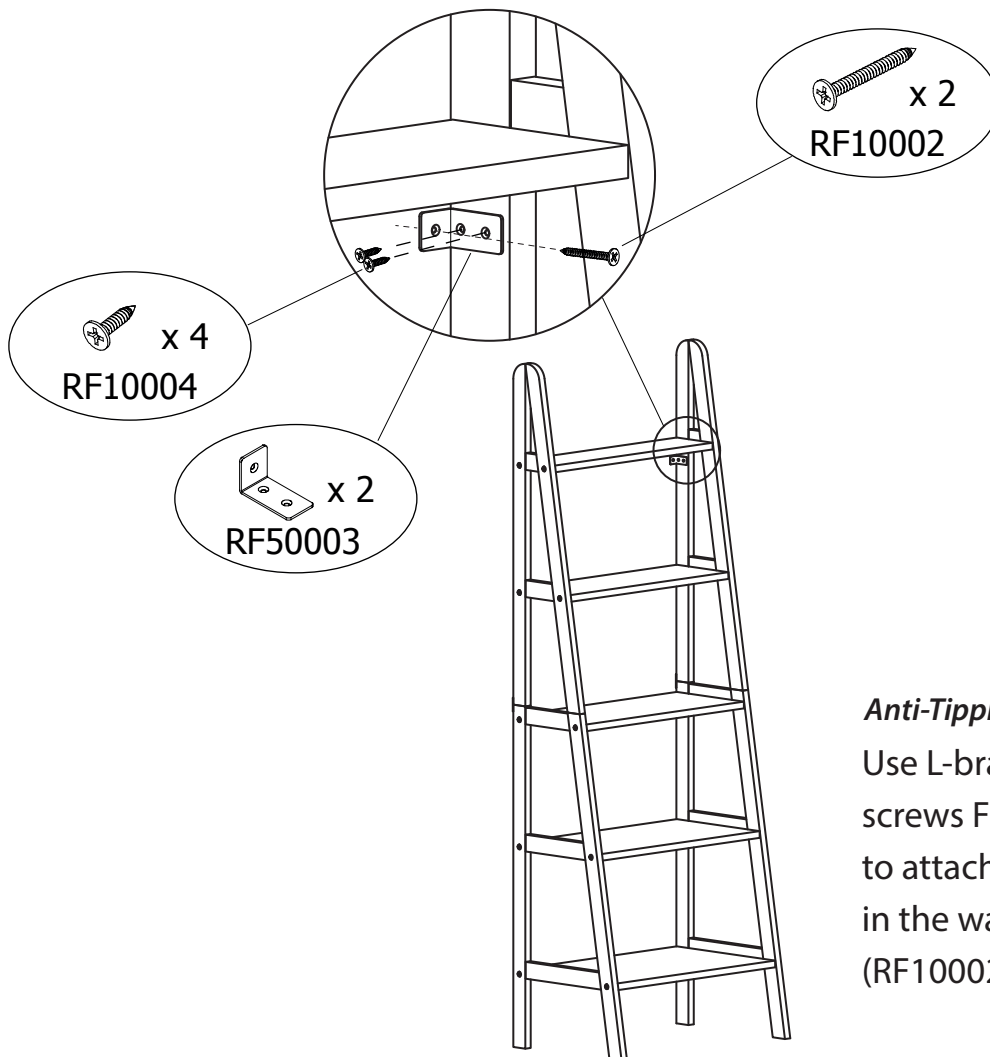


Diagram 3.

**Step 3:**

Stack the top unit onto the bottom unit. Then attaching the metal plate (RF40214) to the predrilled holes at the back of the bookcase using screws (RF10080) as per Diag.3.



**Anti-Tipping**

Use L-brackets (RF50003) and screws F6 x 5/8" (RF10004) to attach two side panels to the studs in the wall, using screws F6 x 1 1/4" (RF10002) as per Diag. 5.