



RAINFALL SPA™ SHOWERHEAD

Our Niagara Conservation branded Rainfall Spa™ Showerhead features a 360° ball-joint swivel for easy adjustment. The showerhead provides a wide, full body spray pattern giving the user a soothing rain shower experience.

THE FEATURES

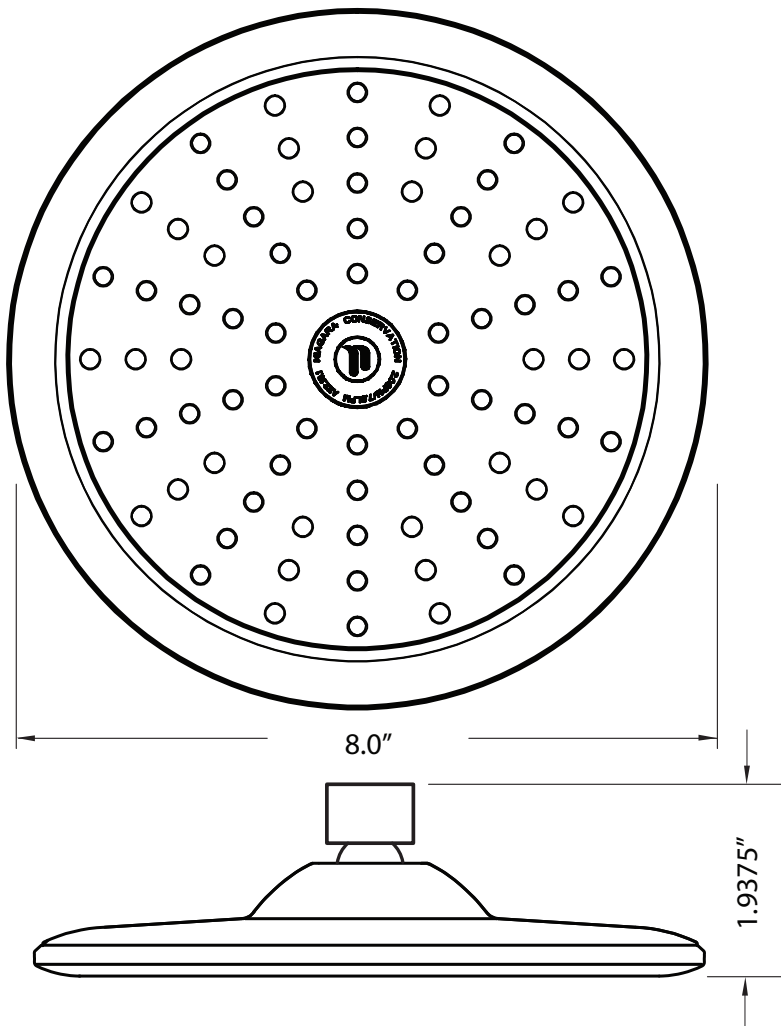
- Sleek, modern design with large 8” diameter face plate
- Powerful spray provides more water at low pressure
- Soft rubber nozzles allow for easy cleaning
- 360° ball joint swivel for easy adjustment
- Installs easily without tools to an existing shower arm
- 10 year warranty***

MODEL #	FINISH	FLOW RATE	WATERSENSE	CASE QTY.
N9517CH	Chrome	1.75 GPM	Yes	6
N9520BN	Brushed Nickel	2.0 GPM	Yes	10
N9520CH	Chrome	2.0 GPM	Yes	10

THE POTENTIAL ANNUAL SAVINGS*

	FLOW RATE	WATER	ELECTRIC HEATING	GAS HEATING
DOLLAR SAVINGS	1.75 GPM	\$54	\$96	\$55
UTILITY SAVINGS	1.75 GPM	6,570 gallons	854 kWh	48 therms
DOLLAR SAVINGS	2.0 GPM	\$44	\$107	\$26
UTILITY SAVINGS	2.0 GPM	5,475 gallons	803 kWh	27 therms

THE DIMENSIONS**



*Factors in calculating savings potential:

- 3-person households each using a shower 9 minutes per day, 365 days per year (AWWARF Residential Study)
- Comparing water use with these showerheads vs. a standard 2.5 GPM unit
- US city average water and sewer cost of \$8.3 per 1,000 gallons (study done by NUS)

**Dimensions are subject to change

***WARRANTY DETAILS

AM Conservation Group, Inc. guarantees to the original purchaser or recipient of a showerhead that it is free from defects in material and workmanship for a period of 10 years. AM Conservation Group, Inc. will at our choice replace any part of the showerhead which is in our opinion defective provided that the product has not been abused, misused, altered, or damaged after its purchase. This includes damage due to the use of tools or harsh chemicals. In the event a product has been discontinued, AM Conservation Group, Inc. will replace it with what we determine to be the closest product. AM Conservation Group, Inc. is not responsible for labor charges, installation, or other consequential cost. AM Conservation Group, Inc.'s responsibility shall not exceed the original cost of the product.

Consulting Group 2011)

- Average cost of electricity 0.113¢ per kWh (Energy Star Nov. 2013 Lightbulb Calculator — http://www.energystar.gov/?c=cfls.pr_cfls_savings)
- Average cost of gas \$1.137 per therm (Bureau of Labor Statistics April 2014)
- Calculations done by <http://www.fishnick.com/savewater/tools/watercalculator>