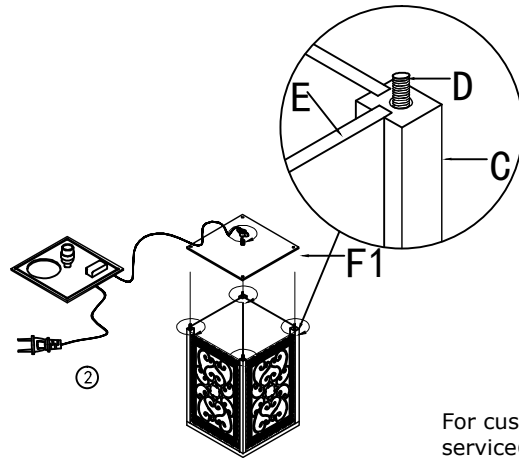


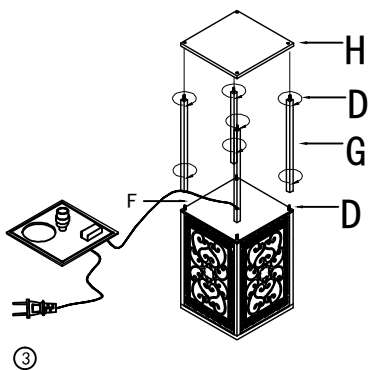
1. Carefully unpack all parts from the packaging and place them on a flat/ smooth surface. Be sure to remove all the packaging materials from the lamp. Insert and tighten screw (A) into frame (B) and short pole (C). Then slide the shade (E) into short pole (C).



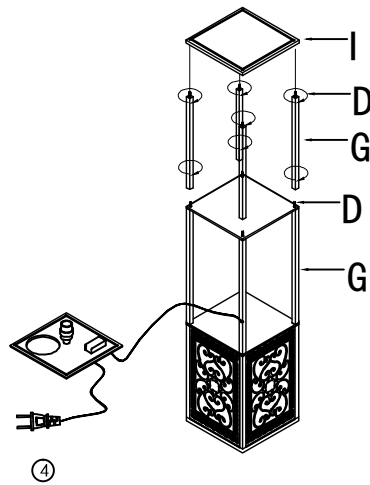
2. Put the lamp holder (F1) on short pole (C) and tighten by stud bolt (D). Please note: Make sure the lamp holder (F1) is tightly attached on short pole (C) before tightening stud bolt (D).

A Screws 4PCS	B Frame 1PC	C Short Pole 8PCS	D Stud bolt 16PCS	E Shade 8PCS
F Lamp holder 1PC	G Long Pole 8PCS	H Board 1PC	I Board 1PCS	J Legs 4PCS
		K Clip 3PCS	L Cap 4PCS	M Fabric 4PCS

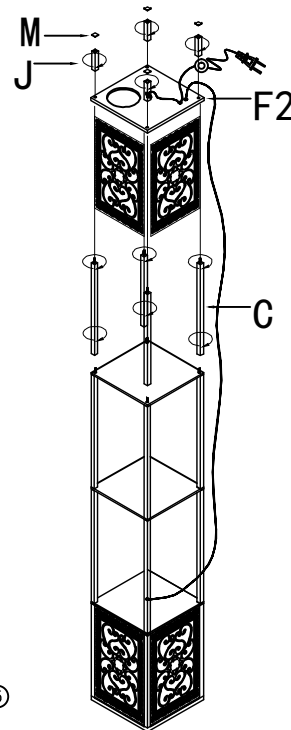
For customer service, please email: [service@artivausa.com](mailto:service@artivausa.com) or visit us at [www.artivausa.com](http://www.artivausa.com). We will respond within 24 hrs Monday-Friday 9am to 5pm PST (except Holiday)



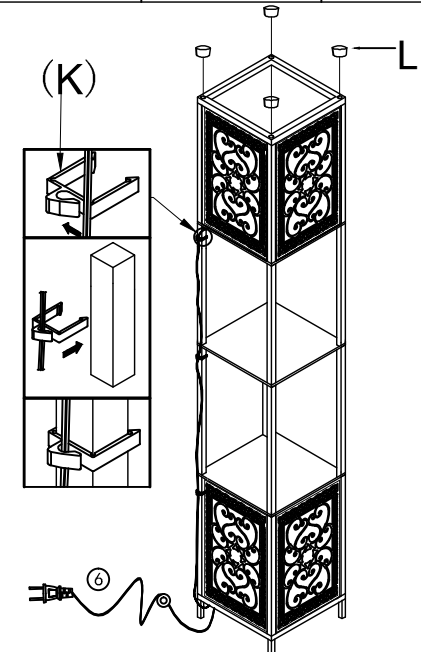
3. Screw and tighten long pole (G) and Board (H) by Screw (D)



4. Screw and tighten long Pole (G) and Board (I) by screw (D)



5. Screw short Poles (C) on Board (I), slide the shade (E) into short pole (C) then insert and tighten screw (D) into lamp holder (F2) and short pole (C). Place fabric (M) on legs (J) and tighten on lamp holder (F2)



6. Turn the lamp upside down, put cap (L) over screws at top frame (B). Then attach the clip (K) on the pole to secure the wire, your lamp is ready to use.

## Assembly Instruction

### ITEM# A808102DEX