

## PRODUCT SPECIFICATIONS

### OVERALL ASSEMBLED DIMENSIONS

HEIGHT: 32 CM (12-5/8"), WIDTH: 17.2 CM (6-3/4") DIA.

**1 LIGHT:** UL LISTED, 60 WATT, MEDIUM BASE E-26 CERAMIC SOCKET.

**CANOPY:** PLATED STEEL, 13 CM (5-1/8") DIA. x 2 CM (3/4") HEIGHT. (2) HOLES IN CANOPY FOR MOUNTING SCREWS TO PASS THROUGH.

**CUP:** PLATED STEEL, 10 CM (3-7/8") DIA. x 5.5 CM (2-3/16") HEIGHT.

**CORD:** UL LISTED, 305 CM (10 FT.) LENGTH, 18 AWG., 3 CONDUCTORS, TYPE SVT CORD, 105°C, CLEAR/SILVER COLOR, WIRES MUST BE LEAD FREE.

**SHADE:** CLEAR GLASS SHADE, 17.2 CM (6-3/4") DIA. x 28 CM (11") HEIGHT, SHAPED AS SHOWN.

**LABELS:** UL, CSA OR CUL, MANUFACTURING DATE, MODEL # AND COUNTRY OF ORIGIN LABELS PROVIDED IN CANOPY. RELAMPING LABEL FOR 60 WATT MAX. TYPE "A" BULB PROVIDED ON SOCKET.

### PACKAGING AND SHIPPING DETAILS

THE LAMP IS ASSEMBLED FOR SHIPPING. THE WHOLE LAMP IS CAREFULLY WRAPPED IN A PLASTIC BAG AND PLACED SECURELY IN THE INNER PACKING SO IT CAN NOT MOVE AROUND DURING SHIPPING. A SMALL BAG OF SILICA IS INCLUDED IN THE PACKAGE.

HARDWARE PACK #005 PROVIDED. ALL PARTS SHOULD BE SECURED SO THEY CAN NOT MOVE DURING SHIPPING.

THE CARTON IS MADE OF DOUBLE WALL, CORRUGATED CARDBOARD "A MA A". BROWN IN COLOR. THE INNER PACKING IS DIE-CUT CARDBOARD OR STYROFOAM TO PROTECT AND SECURE THE LAMP AND MUST PASS THE FEDEX AND ISTA-3A DROP TEST REQUIREMENTS.

EACH CARTON SHALL BE PRINTED WITH A LINE DRAWING AND THE KENROY HOME NAME AND LOGO, MODEL NUMBER AND FINISH, EACH CARTON SHALL BE PROVIDED A UPC LABEL. THE UPC BAR CODE AS FOLLOWS: CH=053392036478.

### OTHER DETAILS

MODEL 93007CH INSTRUCTIONS ARE TO BE PACKED WITH EACH LAMP. INSTRUCTIONS MUST BE PRINTED CLEARLY ON QUALITY PAPER.

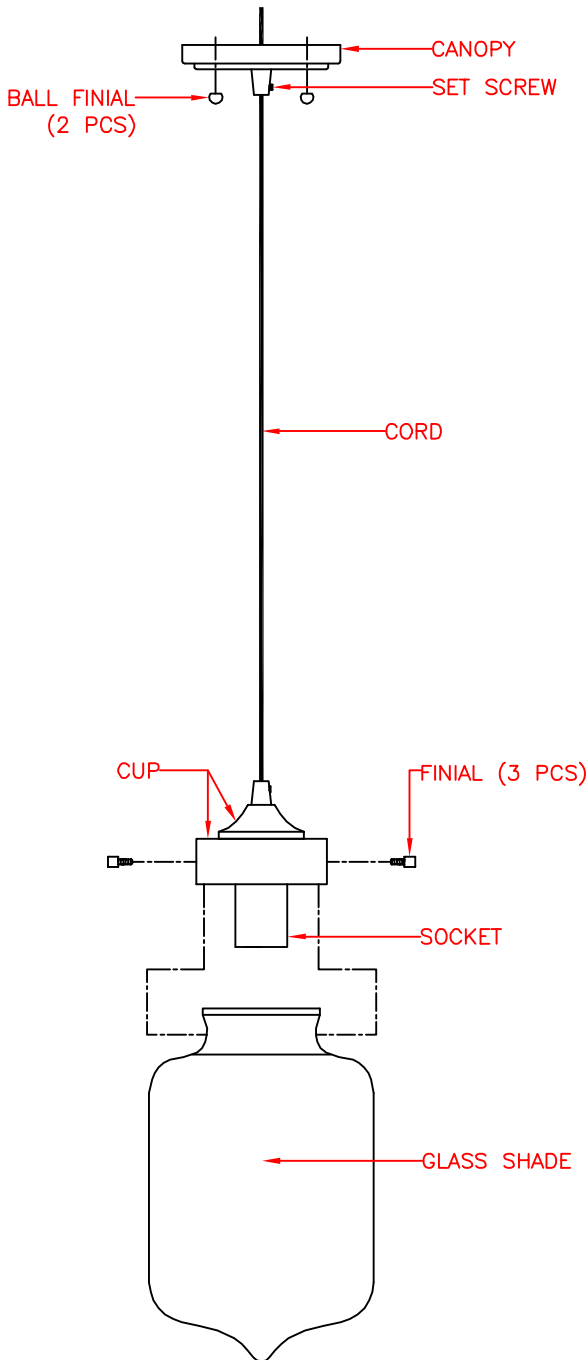
ALL BAGS MUST BE LABELED WITH OFFICIAL "THIS BAG IS NOT A TOY" STATEMENT.

ASSEMBLY TIME: 5 MINUTES.

THE UL NUMBER IS E344897.

DIMS OF BOX: 25.5 CM (10") LENGTH x 25.5 CM (10") WIDTH x 49.5 CM (19-1/2") HEIGHT. (CUFT.: 1.14')

NET WEIGHT: 3.6 LBS. GROSS WEIGHT: 5.1 LBS.



A 7 cm length x 4 cm width hang tag should be hung on the fixture. The hang tag should be read as below:

Kenroy Home's handmade glass pieces are crafted one at a time. They are distinctive with subtle variation from piece to piece.

**KENROY  
HOME**

3723 Regent Boulevard  
JACKSONVILLE, FL. 32224  
PHONE: 904-642-4340  
FAX: 904-642-4150

THIS DOCUMENT AND THE INFORMATION THAT IT DISCLOSES IS THE EXCLUSIVE PROPERTY OF KENROY HOME. ANY REPRODUCTION OR USE OF THIS DRAWING IN PART OR IN WHOLE, WITHOUT THE EXPRESS CONSENT OF THE PROPRIETOR IS PROHIBITED. © 2013 KENROY HOME.

DATE: 6/5/2013

SCALE: NONE

DRAWN BY: JAMES

REFERENCE: CASEY 1 LIGHT PENDANT

APPROVAL:

REVISION DATE:

REVISION DATE:

REVISION DATE:

REVISION DATE:

MODEL #:

93007CH

FINISHES:

CHROME

PAGE: 1 OF 1