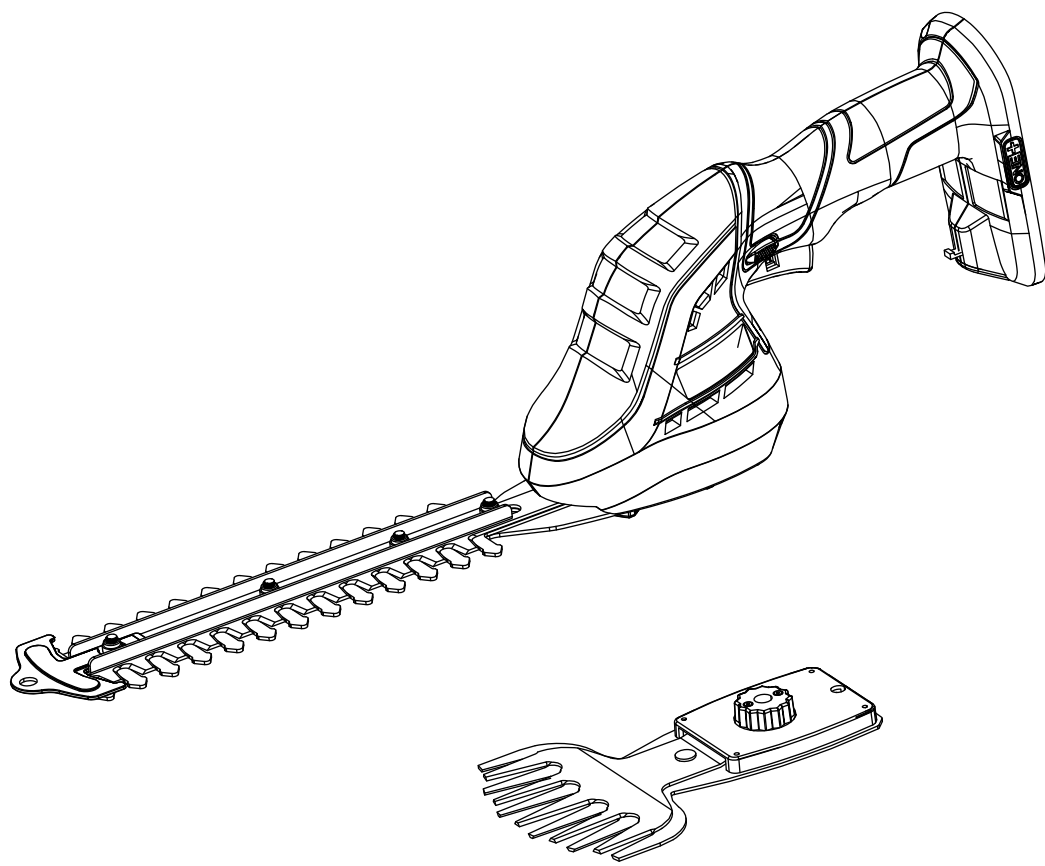


REPAIR SHEET

BRAND RYOBI		DESCRIPTION 18 Volt Grass Shear/Shrubber
MODEL NO. P2908VNM	MFG. NO. 108712001	



TTI OUTDOOR POWER EQUIPMENT, INC.

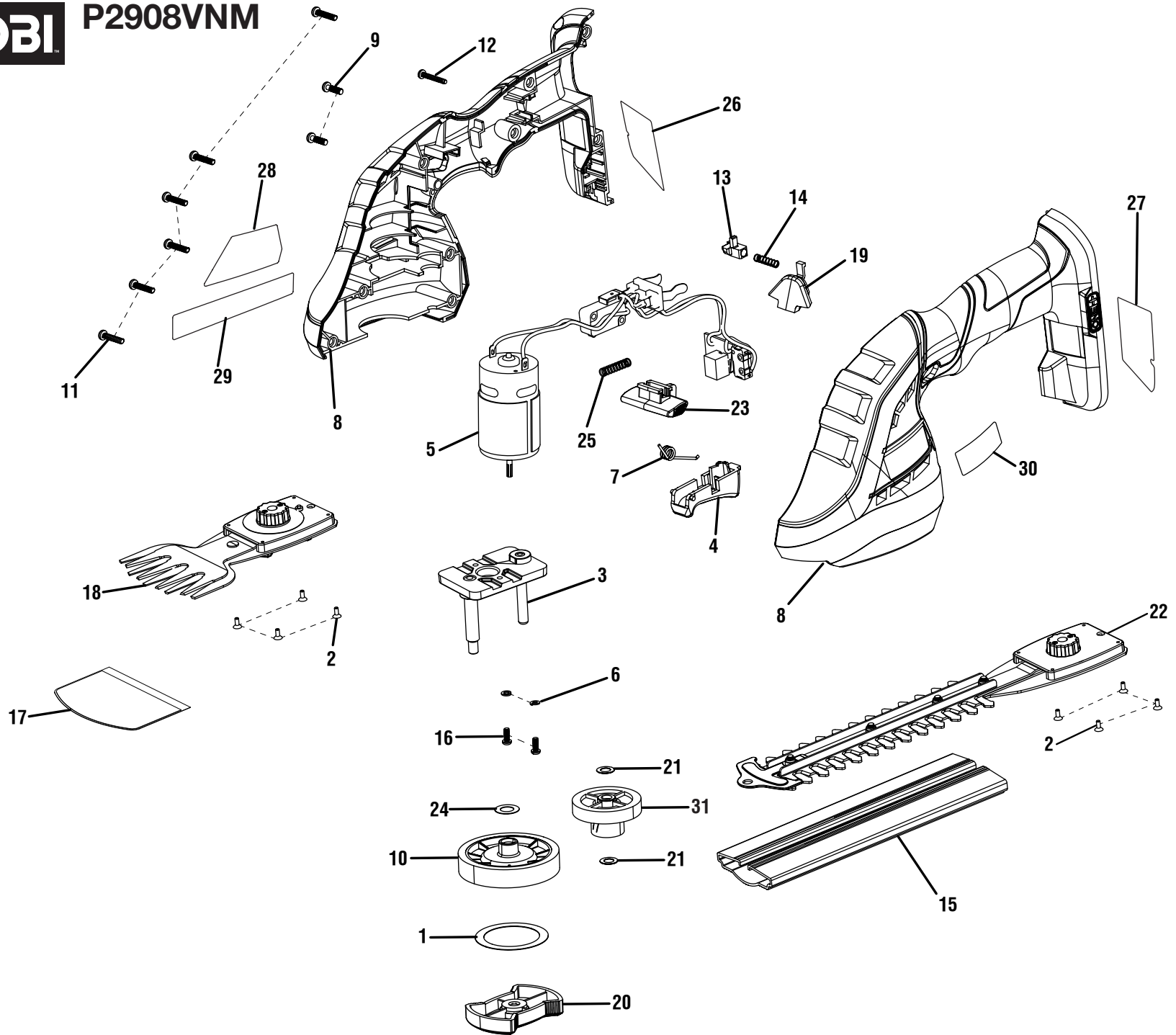
P.O. Box 1288, Anderson, SC 29622 ■ 1-800-525-2579 ■ www.ryobitools.com

11-29-21 (Rev:02)

The model number and manufacturing location will be found on a label attached to the product. Always mention this information in all communications regarding this product and when ordering parts.

RYOBI

P2908VNM



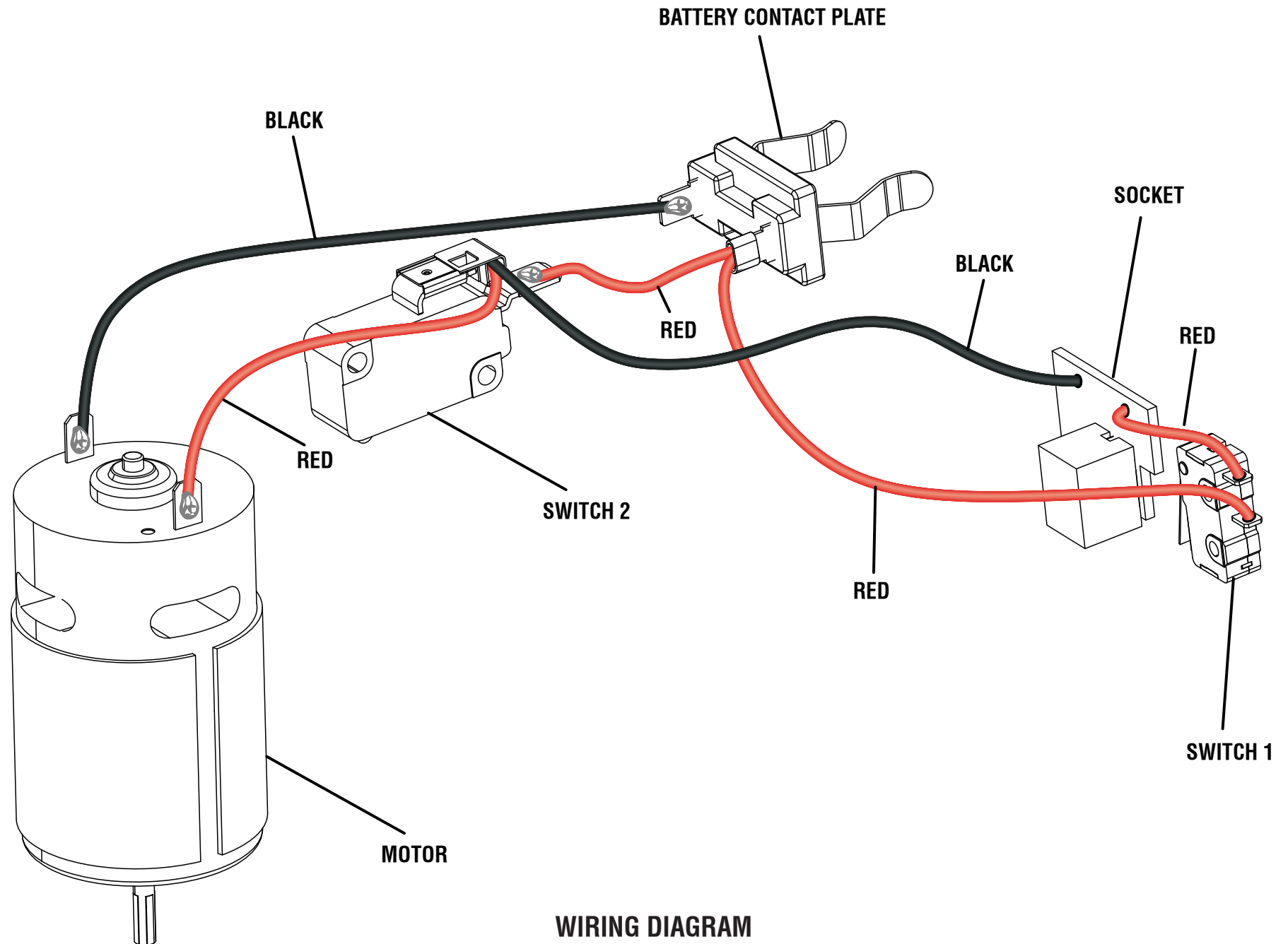


P2908VNM

PARTS LIST

KEY NO.	PART NO.	DESCRIPTION	QTY.
1	672729001	Washer (OD45 x ID34.4 x 0.3t)	1
2	660204013	Screw (M3 x 9 mm, Phillips Flat Hd.)	8
3	302347002	Motor Mount Assembly	1
4	516708006	Trigger	1
5	318788001	Motor, Circuit Board, and Switch Assembly	1
6	670028003	Spring Washer (OD5.7 x ID3.1 x 0.8t)	2
7	672752001	Trigger Spring	1
8	318823001	Housing Assembly (Inc. Key Nos. 26-30)	1
9	660206058	Screw (M3.5 x 12 mm, Phillips Pan Hd.)	2
10	516711001	Gear	1
11	660206059	Screw (M3.5 x 16 mm, Phillips Pan Hd.)	6
12	660203059	Screw (M3 x 20 mm, Pan Hd.)	1
13	532175002	Slider for Switch	1
14	679034001	Spring for Slider	1
15	516819002	Scabbard	1
16	660086009	Screw (M3 x 8 mm, Phillips Pan Hd.)	2
17	903318002	Sheath	1

KEY NO.	PART NO.	DESCRIPTION	QTY.
18	318824001	Grass Shear Blade Assembly	1
19	566396001	Rubber Socket Port Cover	1
20	302311003	Knob Assembly	1
21	670914001	Flat Washer (OD11 x ID6.2 0.3t)	2
22	302350007	Hedge Trimmer Blade Assembly	1
23	546479001	Lock-Off Button	1
24	672728001	Washer (OD15 x ID8.4 x 0.3t)	1
25	670499001	Compression Spring	1
26	941097017	Data Label	1
27	941097028	QR Label	1
28	941097021	Danger Label	1
29	941097020	Icon Label	1
30	940705488	Logo Label	1
31	516712001	Step Gear	1
	Not Shown:		
	998000734	Operator's Manual	



WIRING DIAGRAM