

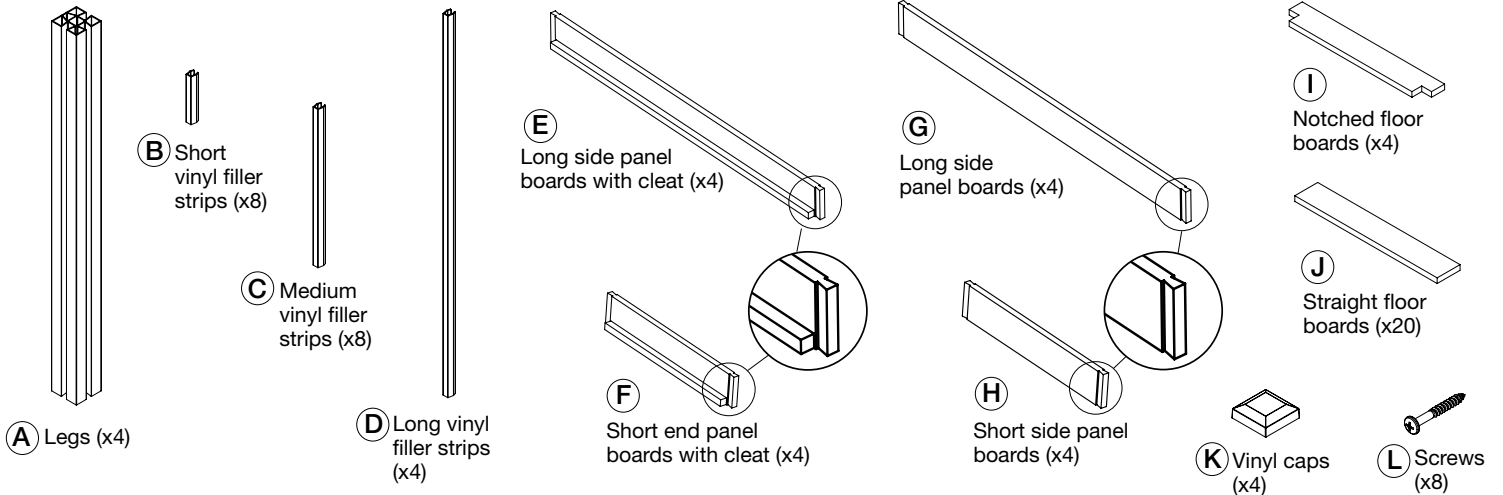


OUTDOOR
ESSENTIALS®

HAVEN 2x4 ELEVATED GARDEN PLANTER WITH VINYL LEGS AND SHELF – ASSEMBLY INSTRUCTIONS

ACTUAL SIZE: 45-1/2 in. L x 24 in. W x 31-3/4 in. H

PARTS LIST



RECOMMENDED ITEMS:

- Work gloves
- Rubber mallet
- Landscape fabric
- Power drill

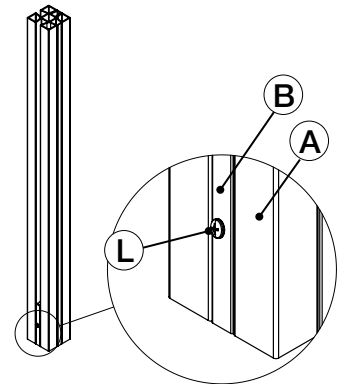
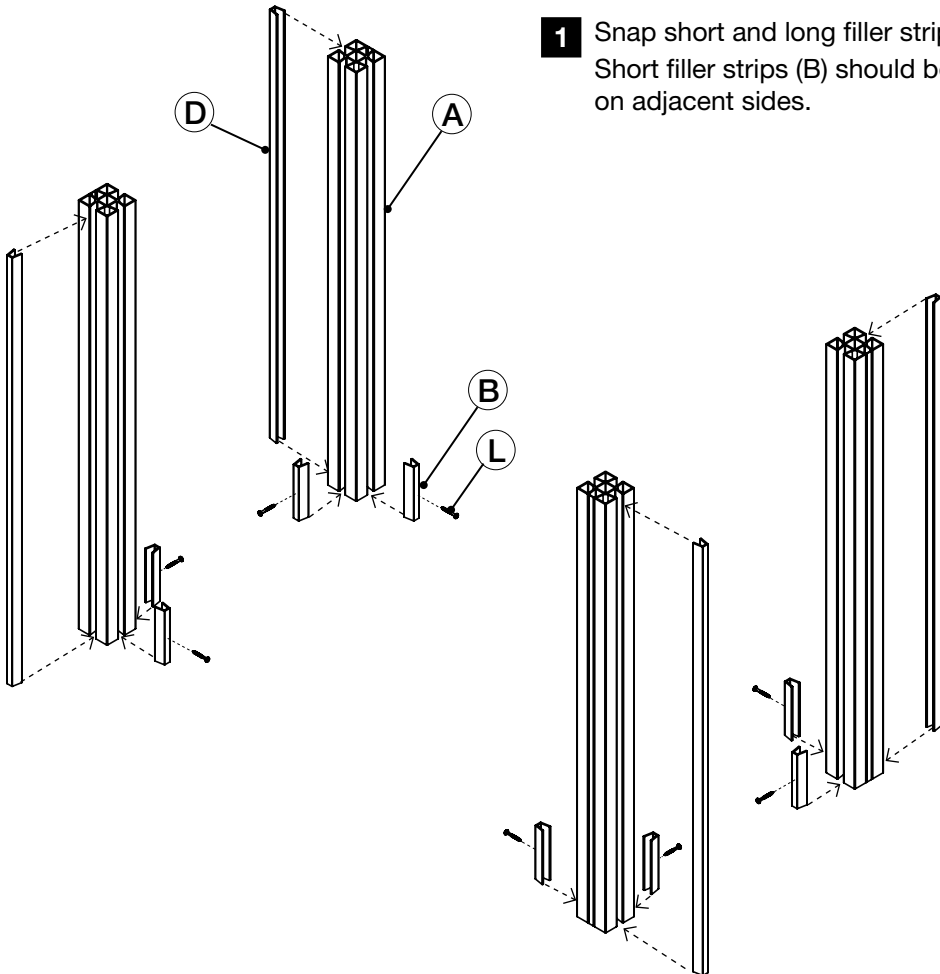
QUESTIONS? Contact our customer service department
Phone: (844) 529-5882

View our assembly video here:



ASSEMBLY

1 Snap short and long filler strips (B/D) into the legs (A) as shown. Short filler strips (B) should be placed flush with bottom of legs on adjacent sides.



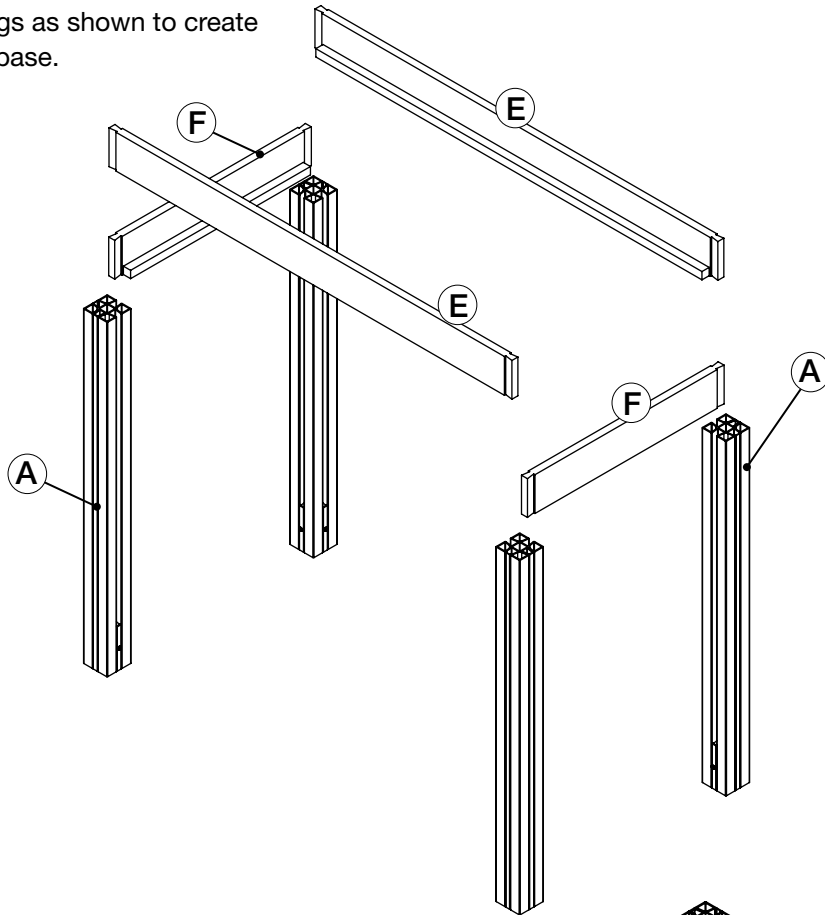
Note: If assembled planter will be placed on soft ground, we recommend driving a screw (L) through each of the 8 installed short filler strips (B).

HAVEN 2x4 ELEVATED GARDEN PLANTER WITH VINYL LEGS AND SHELF

ASSEMBLY INSTRUCTIONS

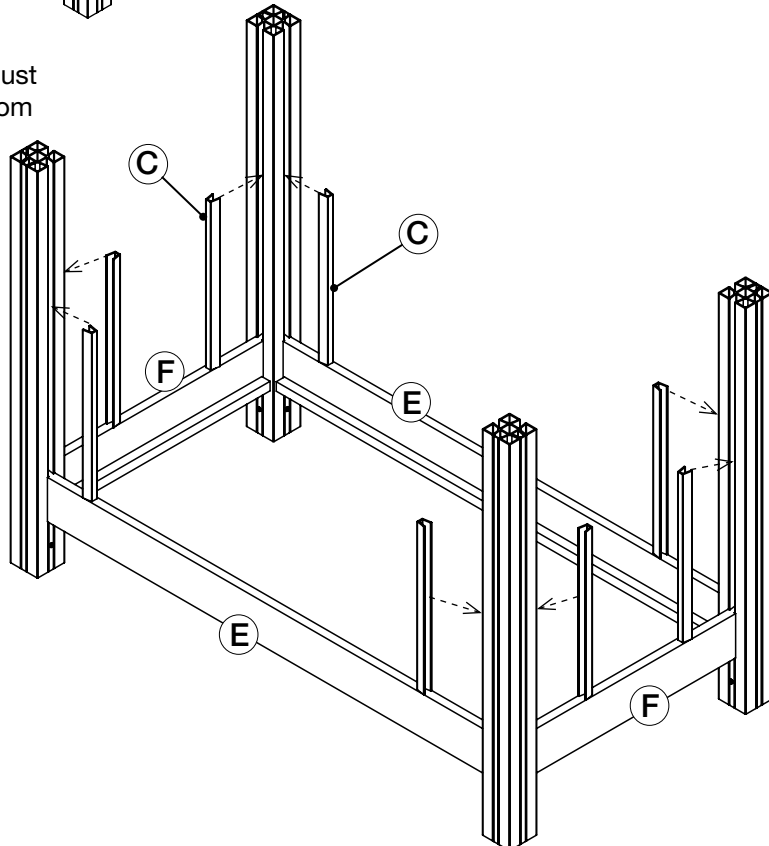
ASSEMBLY – continued

- 2** Slide boards with cleats into the legs as shown to create shelf base.



Tip: Use a rubber mallet to gently tap in boards if needed.

- 3** Snap medium filler strips into legs and adjust so they are resting on top of the boards from Step 2.

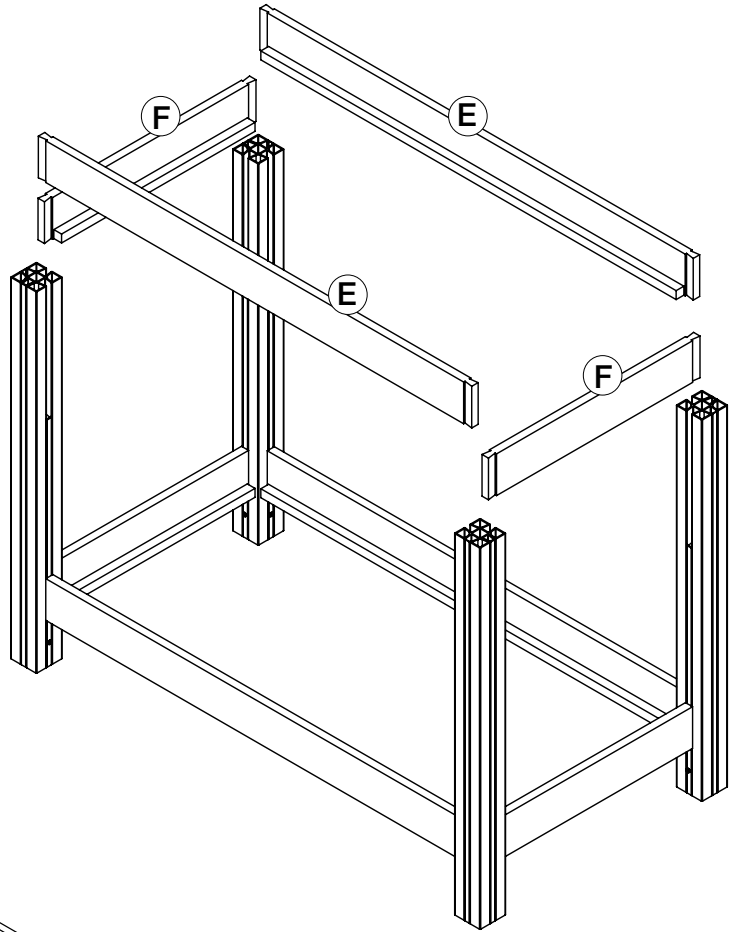


HAVEN 2x4 ELEVATED GARDEN PLANTER WITH VINYL LEGS AND SHELF

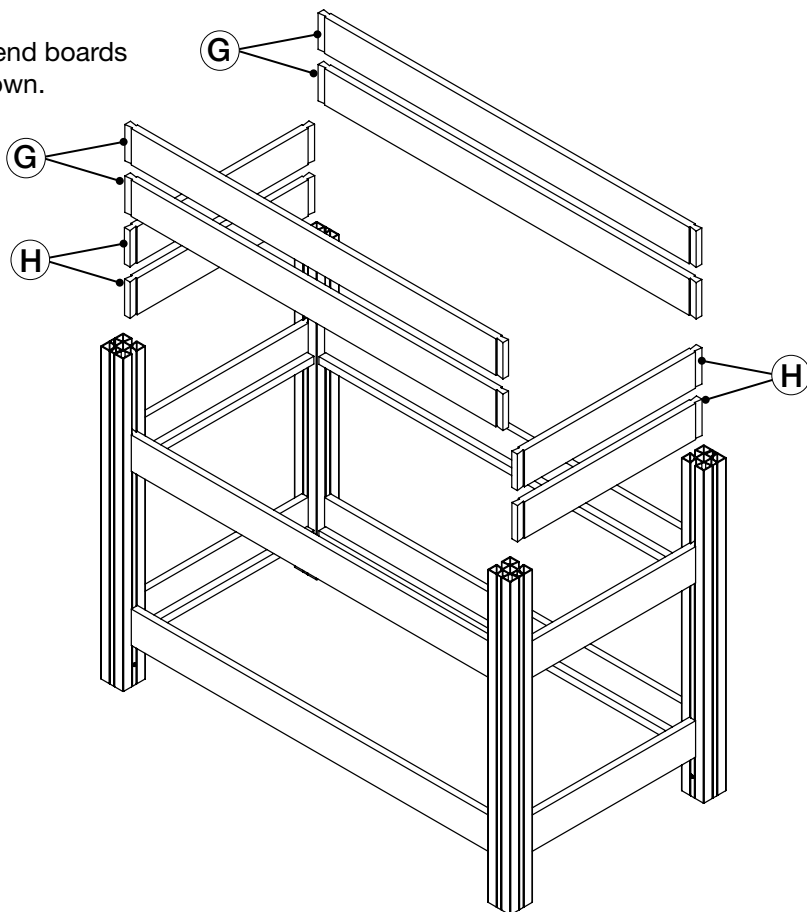
ASSEMBLY INSTRUCTIONS

ASSEMBLY – continued

- 4** Slide remaining boards with cleats into legs as shown to create planter bed base.



- 5** Slide side and end boards into legs as shown.



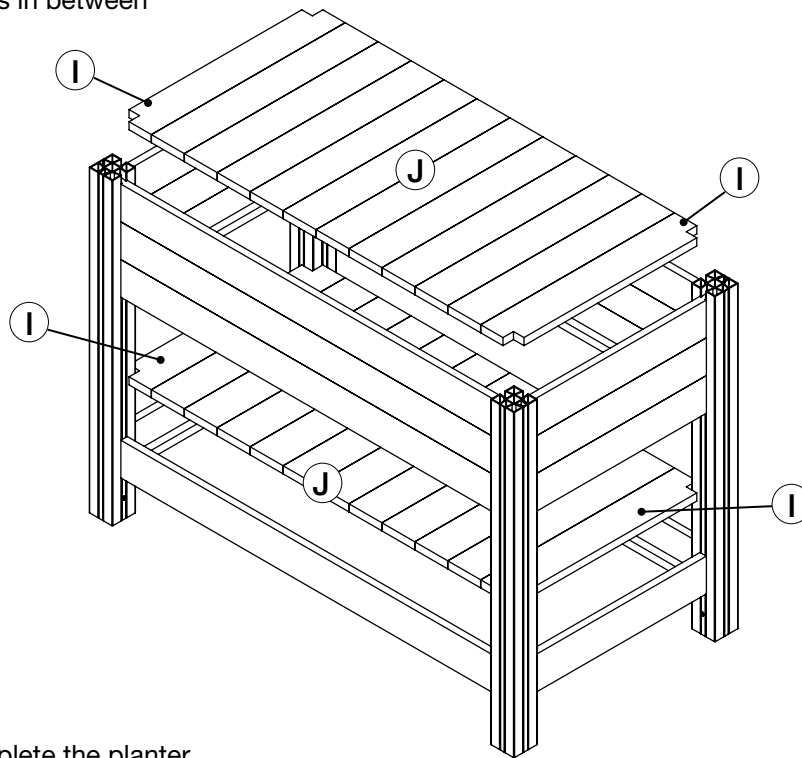
HAVEN 2x4 ELEVATED GARDEN PLANTER WITH VINYL LEGS AND SHELF

ASSEMBLY INSTRUCTIONS

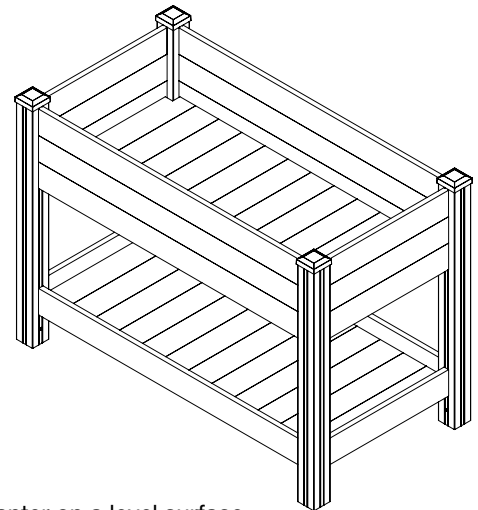
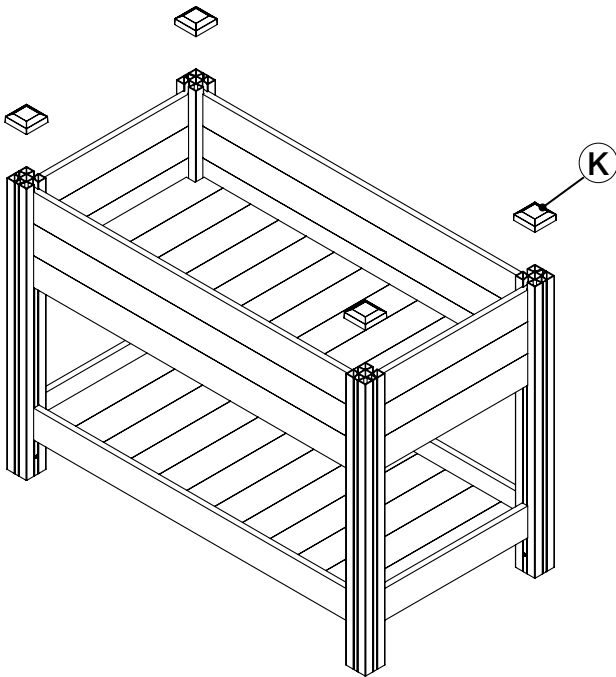
ASSEMBLY – continued

- 6** Place bottom boards on cleats to create the planter bed floor and shelf.

Note: Boards will have small gaps in between them to allow for drainage.



- 7** Slide post caps onto legs to complete the planter.



TIPS:

- Place planter on a level surface.
- Lay down landscape fabric (optional) prior to filling with soil.
- When adding soil, place it evenly across the bed.

You'll need approximately 5-1/2 cubic feet of soil to fill the planter.

THE DIAGRAMS AND INSTRUCTIONS IN THIS BROCHURE ARE FOR ILLUSTRATION PURPOSES ONLY AND ARE NOT MEANT TO REPLACE A LICENSED PROFESSIONAL. ANY CONSTRUCTION OR USE OF THE PRODUCT MUST BE IN ACCORDANCE WITH ALL LOCAL ZONING AND/OR BUILDING CODES. THE CONSUMER ASSUMES ALL RISKS AND LIABILITY ASSOCIATED WITH THE CONSTRUCTION OR USE OF THIS PRODUCT. THE CONSUMER OR CONTRACTOR SHOULD TAKE ALL NECESSARY STEPS TO ENSURE THE SAFETY OF EVERYONE INVOLVED IN THE PROJECT, INCLUDING, BUT NOT LIMITED TO, WEARING THE APPROPRIATE SAFETY EQUIPMENT. EXCEPT AS CONTAINED IN THE WRITTEN LIMITED WARRANTY, THE WARRANTOR DOES NOT PROVIDE ANY OTHER WARRANTY, EITHER EXPRESS OR IMPLIED, AND SHALL NOT BE LIABLE FOR ANY DAMAGES, INCLUDING CONSEQUENTIAL DAMAGES.

©2022 UFP Retail Solutions, LLC. Outdoor Essentials is a registered trademark of UFP Industries, Inc. All rights reserved.
2801 East Beltline NE, Grand Rapids, MI 49525 (844) 529-5882 14264_6/22

OutdoorEssentialProducts.com