



BH1818

Quick Start Guide

We, Bayit Home Automation Corp. declare under our sole responsibility that the device complies with Part 15 of the FCC Rules. Operation is subject to the following two conditions: (1) this device may not cause harmful interference, and (2) this device must accept any interference received, including interference that may cause undesired operation.

Bayit Home Automation Corp. ("Bayit") warrants to the original purchaser of this Bayit product that the product shall be free of defects in design, assembly, material, or workmanship. Bayit warrants the Bayit product for one (1) year for devices bought in U.S.

Caution: Exposure to Radio Frequency Radiation.
The radiated output power of this device is far below the FCC radio frequency exposure limits. Nevertheless, the device shall be used in such a manner that the potential for human contact during normal operation is minimized. When connecting an external antenna to the device, the antenna shall be placed in such a manner to minimize the potential for human contact during normal operation. In order to avoid the possibility of exceeding the FCC radio frequency exposure limits, human proximity to the antenna shall not be less than 20cm (8 inches) during normal operation.

Product Warranty. Bayit will repair or replace, at its option and free of charge (except for shipping charges for the product) any defective Bayit product. Bayit reserves the right to discontinue any of its products without notice, and disclaims any limited warranty to repair or replace any such discontinued products. In the event that Bayit is unable to repair or replace the product (for example, because it has been discontinued), Bayit will offer either a refund or a credit toward the purchase of another product in an amount equal to the purchase price of the product as evidenced on the original purchase receipt as discounted by its natural use or offer a similar product of Bayit's discretion. No warranties will be honored unless the purchaser provides, or purchaser's expense, the product for inspection. No warranties will be honored if Bayit determines that the product has been improperly installed, altered in any way, or tampered with. The Bayit Product Warranty does not protect against acts of God such as flood, lightning, earthquakes, war, vandalism, theft, normal-use wear and tear, erosion, depletion, obsolescence, abuse, damage due to low-voltage disturbances (i.e. brownouts or sags), nonauthorized program, or system equipment modification or alteration.

Bayit reserves the right to review the damaged Bayit product. All costs of shipping the Bayit product to Bayit for inspection are the sole responsibility of the purchaser. If Bayit determines, in its sole discretion, that it is impractical to ship the damaged product to Bayit, Bayit may designate, in its sole discretion, an equipment repair facility to inspect and estimate the cost to repair such product. Any cost of the estimate or shipping the product to and from a repair facility is the purchaser's responsibility. Damaged product must remain available for inspection until the claim is finalized. Whenever claims are settled, Bayit reserves the right to be subrogated under any existing insurance policies the purchaser may have.

THIS WARRANTY CONTAINS THE SOLE WARRANTY OF BAYIT. THERE ARE NO OTHER WARRANTIES, EXPRESSED OR, EXCEPT AS REQUIRED BY LAW, IMPLIED, INCLUDING THE IMPLIED WARRANTY OR CONDITION OF QUALITY, MERCHANTABILITY OR FITNESS FOR A PARTICULAR PURPOSE, AND SUCH IMPLIED WARRANTIES, IF ANY, ARE LIMITED IN DURATION TO THE TERM OF THIS WARRANTY. Some states do not allow limitations on how long an implied warranty lasts, so the above limitations may not apply to you. IN NO EVENT SHALL BAYIT BE LIABLE FOR INCIDENTAL, SPECIAL, DIRECT, INDIRECT, CONSEQUENTIAL OR MULTIPLE DAMAGES SUCH AS, BUT NOT LIMITED TO, LOST BUSINESS OR PROFITS ARISING OUT OF THE SALE OR USE OF ANY BAYIT PRODUCT, EVEN IF ADVISED OF THE POSSIBILITY OF SUCH DAMAGES. This warranty gives you specific legal rights, and you may also have other rights, which may vary from state to state. Some states do not allow the exclusion or limitation of incidental, consequential, or other damages, so the above limitations may not apply to you.

IMPORTANT NOTE:
Radiation Exposure Statement:
This equipment complies with FCC radiation exposure limits set forth for an uncontrolled environment. End users must follow the specific operating instructions for satisfying RF exposure compliance. To maintain compliance with FCC RF exposure compliance requirements, please follow operation instructions as documented in this manual.
This transmitter must not be co-located or operating in conjunction with any other antenna or transmitter. Operations in the 5.15-5.25GHz band are restricted to indoor usage only.

IMPORTANT NOTICE:
FCC Radiation Exposure Statement:
This equipment complies with FCC radiation exposure limits set forth for an uncontrolled environment. This equipment should be installed and operated with a minimum distance of 23cm between the radiator and your body.
This transmitter must not be co-located or operating in conjunction with any other antenna or transmitter.

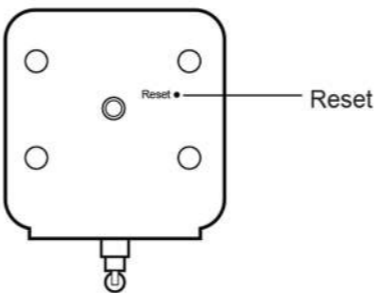
7

Reset to Factory Settings

If you forgot your camera password or you are experiencing difficulties operating/setting up your camera, please reset to factory settings, and setup the camera again.

To reset:

- Delete the Bayit Cam App from your mobile device and download the app again from the app store to clear all the data.
- Hold a pin in the reset hole on the bottom of the camera until the camera restarts. (Approximately 15 seconds)



6

Modifying the Security password

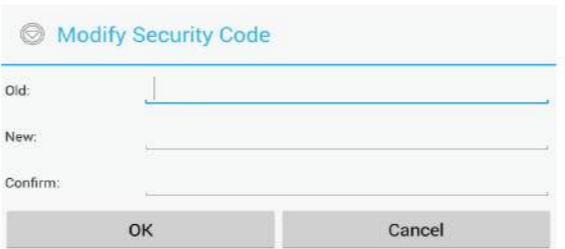
To Modify:

On the app Home screen select [Settings icon]

Select "Advanced".

Select the Settings icon [Settings icon]

Select "Modify Security Code"



Enter "admin" in the "Old" field it is the default security code.

Choose a New password and select "OK". The security password is now changed.

NOTE
It is very important to modify the Security password of your camera to prevent any one else from accessing your camera.

5

Connecting to a Wi-Fi Network

On the app Home screen select [Settings icon]

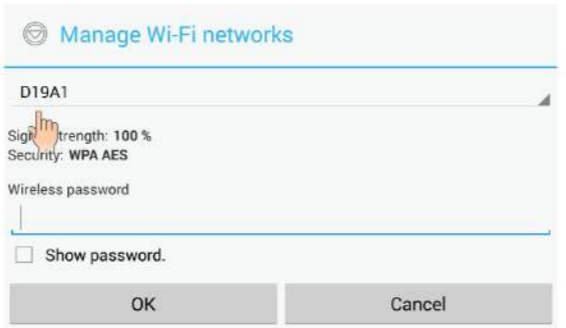
Select the Settings icon [Settings icon]

Select "Advanced".

Under Wi-Fi settings select "Manage Wi-Fi networks"



The app will automatically select the nearest Wi-Fi network, select the drop down menu to select a different network.

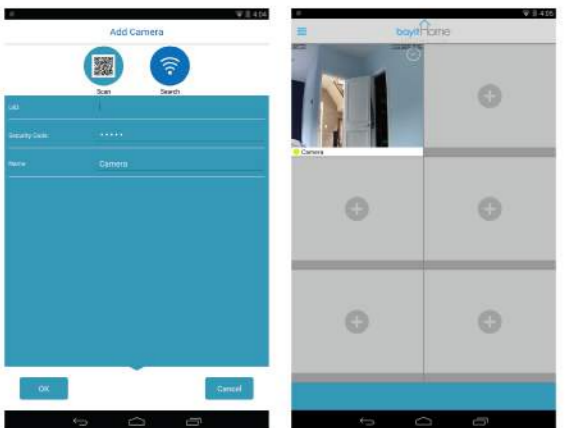


If necessary enter the Wi-Fi network password and select "OK"

Remove the Ethernet and Power cable from the Bayit Cam, you can move your camera and plug it in to any location within range of your Wi-Fi network, then only reconnect the Power adapter. Your camera will restart and automatically connect to your Wi-Fi network.

NOTE
After successfully connecting to a Wi-Fi network, you must restart the camera by removing and reconnecting the power cable for the settings to take effect.

Choose a name for your camera and select "Ok", the camera will be added and you will be redirected to the Home screen where you can view all your cameras, Full screen view, Pan & Tilt, and 2 way talk.



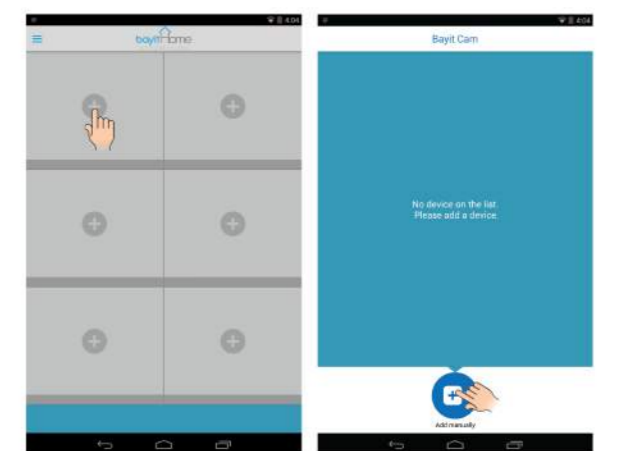
NOTE
To use the Pan & Tilt function select the camera to view it in full screen, swipe a finger on the screen in a natural motion to move the camera up, down, right, or left.

4

Setting up Bayit Cam

Launch the Bayit Cam App.

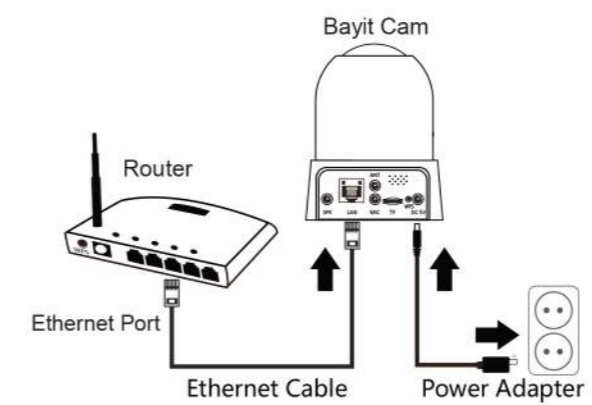
Select "+" on the Home screen, then select "Add manually"



3

Connecting the Hardware

Plug one end of the enclosed Ethernet cable into the Ethernet port on the Bayit Cam, and the other end of the cable into an Ethernet port on the Wi-Fi router (not included). The Ethernet cable can be removed after the initial setup is complete.

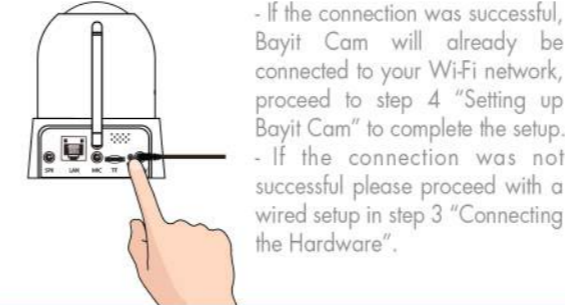


Plug one end of the enclosed Power adapter into the Power Jack of the Bayit Cam, and the other end of the Power adapter into the wall outlet.

Setup with WPS

NOTE
The below WPS (Wi-Fi Protected Setup) method will only work with Wi-Fi routers that support WPS capabilities. Please refer to the documentation included with your router, or contact the Wi-Fi router manufacturer to verify your router has WPS capabilities. IF THE WI-FI ROUTER DOES NOT HAVE WPS CAPABILITIES PLEASE CONTINUE TO STEP 3 "Connecting the Hardware".

- Connect the included Antenna to the back of the Bayit Cam.
- Plug one end of the enclosed power adapter into the Power jack of the Bayit Cam, and the other end of the Power adapter into the wall outlet.
- Press the WPS button on your Wi-Fi router, If your router does not have a physical WPS button, you may need to activate WPS through its web interface. Refer to your router's manual for more details.
- Within 30 seconds press the WPS button on the Bayit Cam



- If the connection was successful, Bayit Cam will already be connected to your Wi-Fi network, proceed to step 4 "Setting up Bayit Cam" to complete the setup.
- If the connection was not successful please proceed with a wired setup in step 3 "Connecting the Hardware".

2

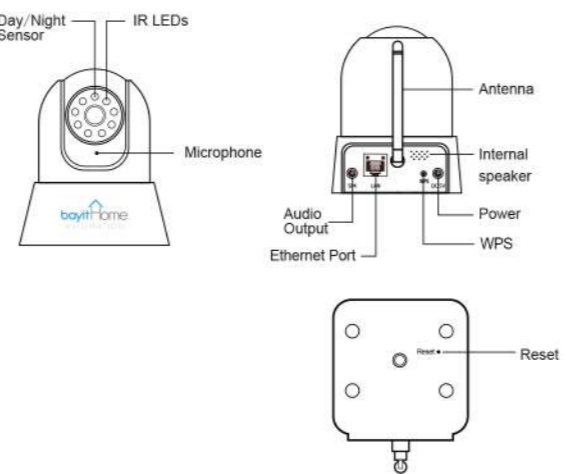
Download the Application

Download the free Bayit Cam App from the App StoreSM or Google Play.

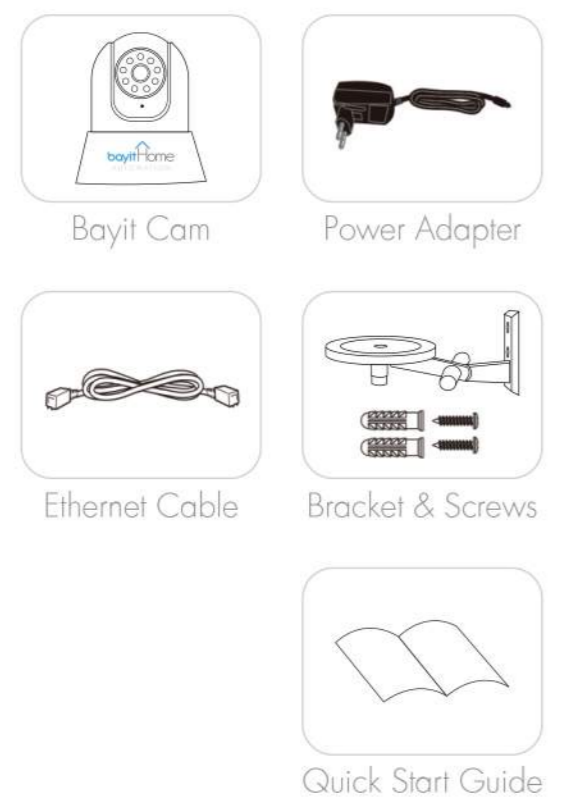


1

Location of Controls



What's in the box?



Confirm that you already followed the on screen instructions and select "Add Camera"

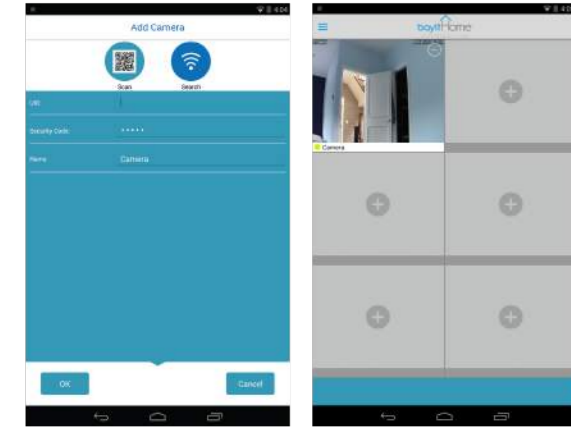


You can either Manually enter your UID (case sensitive must be entered in upper case) and Security code shown on the side of your camera, or select "Scan" and scan the QR code on the side of your camera.



The label can be found on the side of the camera

Choose a name for your camera and select "Ok", the camera will be added and you will be redirected to the Home screen where you can view all your cameras, Full screen view, Pan & Tilt, and 2 way talk.



NOTE
To use the Pan & Tilt function select the camera to view it in full screen, swipe a finger on the screen in a natural motion to move the camera up, down, right, or left.

5

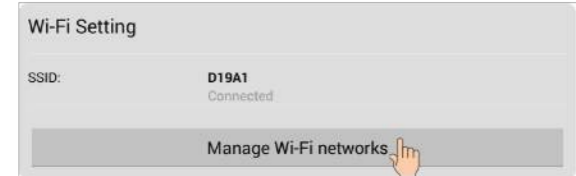
Connecting to a Wi-Fi Network

On the app Home screen select

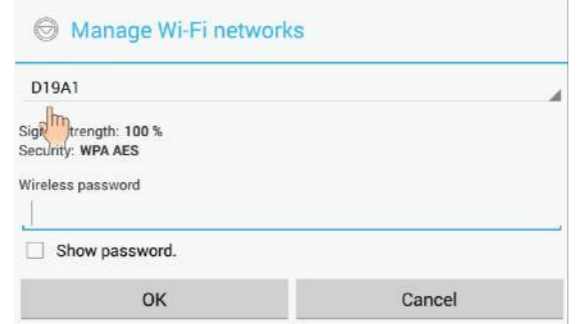
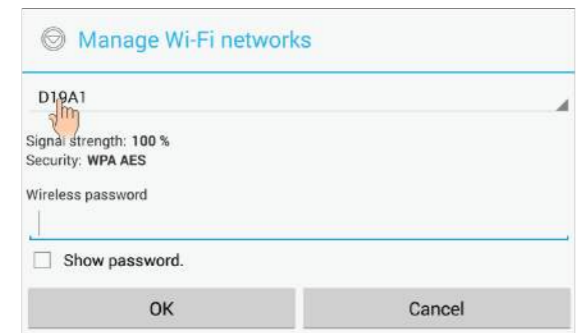
Select the Settings icon

Select "Advanced".

Under Wi-Fi settings select "Manage Wi-Fi networks"



The app will automatically select the nearest Wi-Fi network, select the drop down menu to select a different network.



If necessary enter the Wi-Fi network password and select "OK"

Remove the Ethernet and Power cable from the Bayit Cam, you can move your camera and plug it in to any location within range of your Wi-Fi network, then only reconnect the Power adapter. Your camera will restart and automatically connect to your Wi-Fi network.

NOTE
After successfully connecting to a Wi-Fi network, you must restart the camera by removing and reconnecting the power cable for the settings to take effect.

6

Modifying the Security password

To Modify:

On the app Home screen select

Select "Advanced".

Select the Settings icon

Select "Modify Security Code"



Enter "admin" in the "Old" field it is the default security code.

Choose a New password and select "OK". The security password is now changed.

NOTE
It is very important to modify the Security password of your camera to prevent any one else from accessing your camera.

FCC Statement
DECLARATION OF CONFORMITY WITH FCC RULES FOR ELECTROMAGNETIC COMPATIBILITY

We, Bayit Home Automation Corp. declare under our sole responsibility that the device complies with Part 15 of the FCC Rules. Operation is subject to the following two conditions: (1) this device may not cause harmful interference, and (2) this device must accept any interference received, including interference that may cause undesired operation.

Caution: Exposure to Radio Frequency Radiation.
The radiated output power of this device is far below the FCC radio frequency exposure limits. Nevertheless, the device shall be used in such a manner that the potential for human contact during normal operation is minimized. When connecting an external antenna to the device, the antenna shall be placed in such a manner to minimize the potential for human contact during normal operation. In order to avoid the possibility of exceeding the FCC radio frequency exposure limits, human proximity to the antenna shall not be less than 20cm (8 inches) during normal operation.

Federal Communications Commission Notice
This equipment has been tested and found to comply with the limits for a Class B digital device, pursuant to Part 15 of the FCC Rules. These limits are designed to provide reasonable protection against harmful interference in a residential installation. This equipment generates, uses, and can radiate radio frequency energy, and if not installed and used in accordance with the instructions, may cause harmful interference to radio communications. However, there is no guarantee that interference will not occur in a particular installation. If this equipment does cause harmful interference to radio or television reception, which can be determined by turning the equipment off and on, the user is encouraged to try and correct the interference by one or more of the following measures:
• Reorient or relocate the receiving antenna.
• Increase the distance between the equipment and the receiver.
• Connect the equipment to an outlet on a circuit different from that to which the receiver is connected.
• Consult the dealer or an experienced radio/TV technician for help.
FCC Caution: Any changes or modifications not expressly approved by the party responsible for compliance could void the user's authority to operate this equipment.

IMPORTANT NOTE:
Radiation Exposure Statement
This equipment complies with FCC radiation exposure limits set forth for an uncontrolled environment. End users must follow the specific operating instructions for satisfying RF exposure compliance. To maintain compliance with FCC RF exposure compliance requirements, please follow operation instructions as documented in this manual. This transmitter must not be collocated or operating in conjunction with any other antenna or transmitter. Operations in the 5.15-5.25GHz band are restricted to indoor usage only.

IMPORTANT NOTICE:
FCC Radiation Exposure Statement:
This equipment complies with FCC radiation exposure limits set forth for an uncontrolled environment. This equipment should be installed and operated with a minimum distance of 23cm between the radiator and your body. This transmitter must not be collocated or operating in conjunction with any other antenna or transmitter.

WARRANTY

Bayit Home Automation Corp. ("Bayit") warrants to the original purchaser of this Bayit product that the product shall be free of defects in design, assembly, material, or workmanship. Bayit warrants the Bayit product for one (1) year for devices bought in U.S.

Product Warranty Bayit will repair or replace, at its option and free of charge (except for shipping charges for the product) any defective Bayit product. Bayit reserves the right to discontinue any of its products without notice, and disclaims any limited warranty to repair or replace any such discontinued products. In the event that Bayit is unable to repair or replace the product (for example, because it has been discontinued), Bayit will offer either a refund or a credit toward the purchase of another product in an amount equal to the purchase price of the product as evidenced on the original purchase receipt as discounted by its natural use or offer a similar product at Bayit's discretion. No warranties will be honored unless the purchaser provides, at purchaser's expense, the product for inspection. No warranties will be honored if Bayit determines that the product has been improperly installed, altered in any way, or tampered with. The Bayit Product Warranty does not protect against acts of God such as flood, lightning, earthquake, war, vandalism, theft, normal-use wear and tear, erosion, depletion, obsolescence, abuse, damage due to low-voltage disturbances (i.e. brownouts or sags), non-authorized program, or system equipment modification or alteration.

Bayit reserves the right to review the damaged Bayit product. All costs of shipping the Bayit product to Bayit for inspection are the sole responsibility of the purchaser. If Bayit determines, in its sole discretion, that it is impractical to ship the damaged product to Bayit, Bayit may designate, in its sole discretion, an equipment repair facility to inspect and estimate the cost to repair such product. Any cost of the estimate or shipping the product to and from a repair facility is the purchaser's responsibility. Damaged product must remain available for inspection until the claim is finalized. Whenever claims are settled, Bayit reserves the right to be subrogated under any existing insurance policies the purchaser may have.

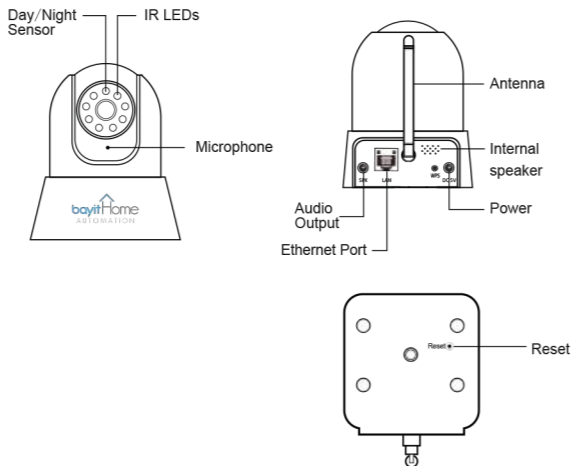
THIS WARRANTY CONTAINS THE SOLE WARRANTY OF BAYIT. THERE ARE NO OTHER WARRANTIES, EXPRESSED OR, EXCEPT AS REQUIRED BY LAW, IMPLIED, INCLUDING THE IMPLIED WARRANTY OR CONDITION OF QUALITY, MERCHANTABILITY OR FITNESS FOR A PARTICULAR PURPOSE, AND SUCH IMPLIED WARRANTIES, IF ANY, ARE LIMITED IN DURATION TO THE TERM OF THIS WARRANTY. Some states do not allow limitations on how long an implied warranty lasts, so the above limitations may not apply to you. IN NO EVENT SHALL BAYIT BE LIABLE FOR INCIDENTAL, SPECIAL, DIRECT, INDIRECT, CONSEQUENTIAL OR MULTIPLE DAMAGES SUCH AS, BUT NOT LIMITED TO, LOST BUSINESS OR PROFITS ARISING OUT OF THE SALE OR USE OF ANY BAYIT PRODUCT, EVEN IF ADVISED OF THE POSSIBILITY OF SUCH DAMAGES. This warranty gives you specific legal rights, and you may also have other rights, which may vary from state to state. Some states do not allow the exclusion or limitation of incidental, consequential, or other damages, so the above limitations may not apply to you.



Quick Start Guide

1

Location of Controls



2

Download the Application

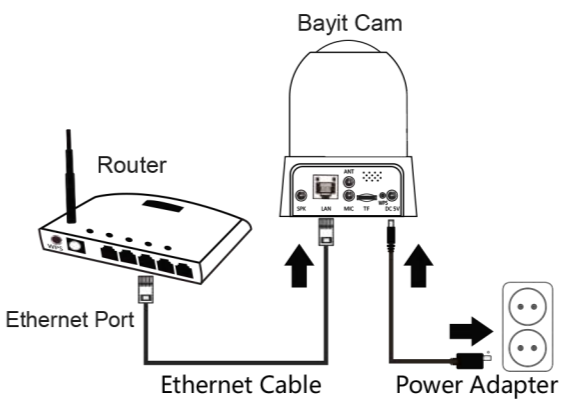
Download the free Bayit Cam App from the App StoreSM or Google Play.



3

Connecting the Hardware

Plug one end of the enclosed Ethernet cable into the Ethernet port on the Bayit Cam, and the other end of the cable into an Ethernet port on the Wi-Fi router (not included). The Ethernet cable can be removed after the initial setup is complete.



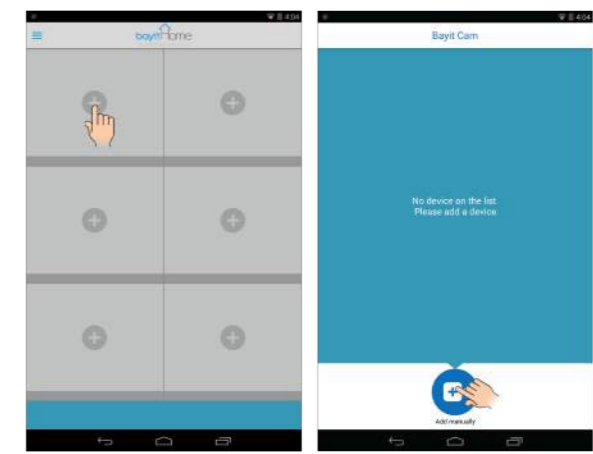
Plug one end of the enclosed Power adapter into the Power Jack of the Bayit Cam, and the other end of the Power adapter into the wall outlet.

4

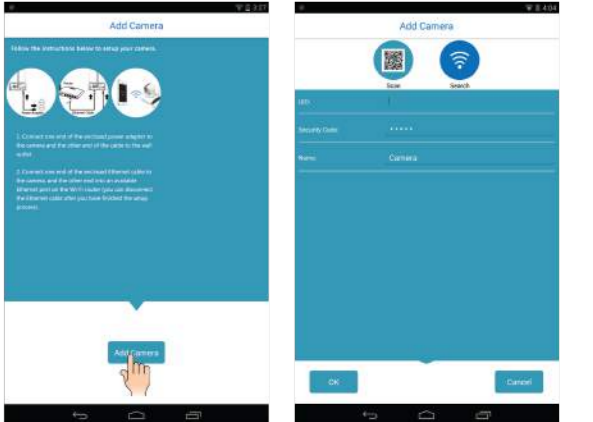
Setting up Bayit Cam

Launch the Bayit Cam App.

Select "+" on the Home screen, then select "Add manually"



Confirm that you already followed the on screen instructions and select "Add Camera"



You can either Manually enter your UID (case sensitive must be entered in upper case) and Security code shown on the side of your camera, or select "Scan" and scan the QR code on the side of your camera.



The label can be found on the side of the camera

What's in the box?

