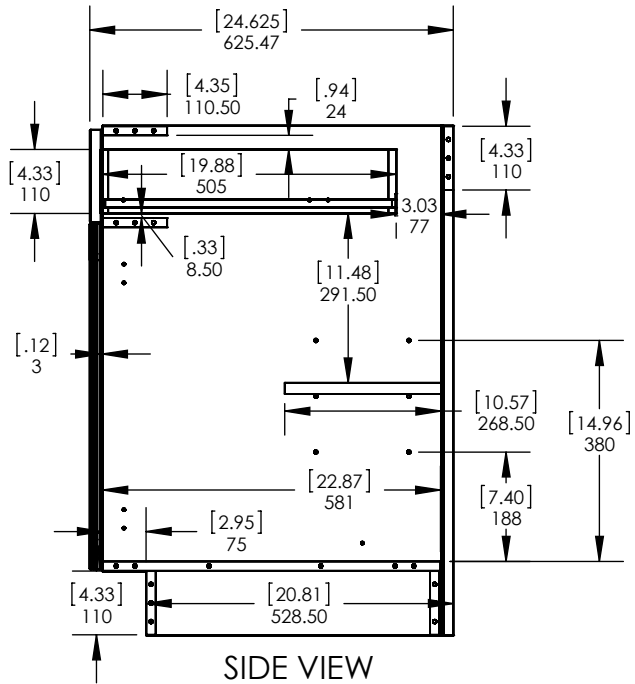
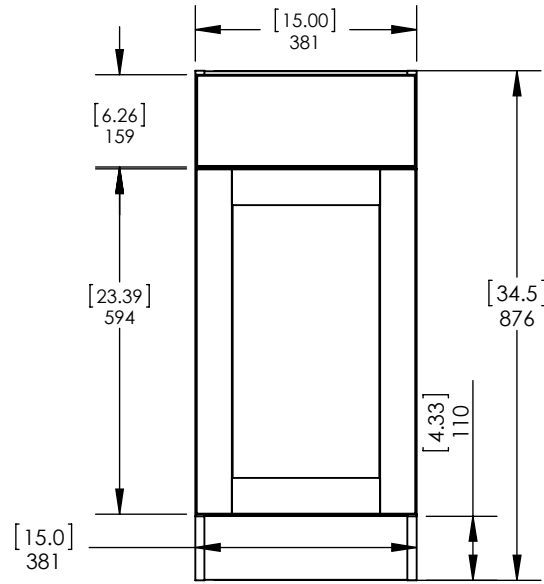


Item ID	Description
CM1535B-DK	Kitchens - Cambrige Base Cabinet with Soft Close Full Extension Drawer in Dusk 15in W x 24.625 D x 34.5 H

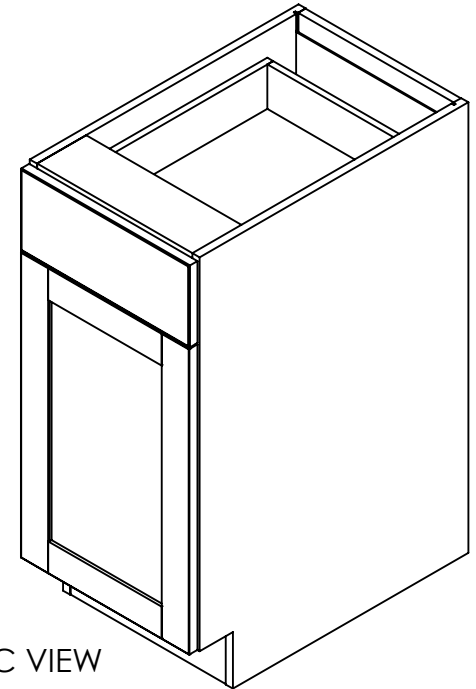
Rev	ECO #	Description	REV'D BY DATE	CHK'D BY DATE	APRV'D BY DATE
0		New Release	RR 10/6/16	RR 10/6/16	RR 10/6/16



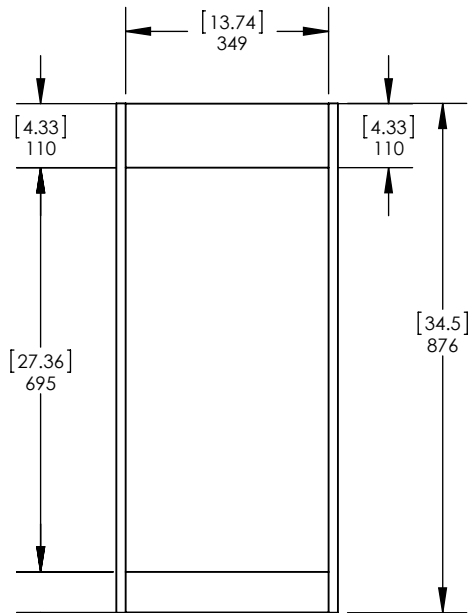
SIDE VIEW



FRONT VIEW



ISOMETRIC VIEW



BACK VIEW

[2.76]  
70

**PROPRIETARY AND CONFIDENTIAL**  
THE INFORMATION CONTAINED IN THIS DRAWING IS THE SOLE PROPERTY OF WOODCRAFTERS. ANY REPRODUCTION IN PART OR AS A WHOLE WITHOUT THE WRITTEN PERMISSION OF WOODCRAFTERS IS PROHIBITED.

UNLESS OTHERWISE SPECIFIED  
DIMENSIONS ARE IN MM. AND [INCHES]  
TOLERANCES ARE  
+ 0.039 [1] - 0.039 [-1]  
SCALE:1:13

	NAME	DATE
DRAWN	R. Rubio	10/6/16
CHECKED	R. Rubio	10/6/16
ENG APPR.	V. Sanchez	10/6/16



SIZE	DWG. NO.	SHEET 1 OF 1	REV.
A	Base_Drawer_15in		0