



# Finesse™ Peak®

## Headerless Frameless Pivot Shower Door

### 5699-30

#### Features

- Frameless design highlights showering area.
- A concealed hinge provides smooth, stable operation.
- No top header eliminates clearance issues.
- Frameless, 5/16" (8 mm) thick tempered glass.
- CleanCoat® technology creates a barrier between the water and glass to help keep your shower door looking new.
- Modern ladder style handle is mounted through the glass.

#### Material

- Anodized aluminum prevents rusting or corrosion.
- Tempered glass ensures maximum safety and durability.

#### Installation

- Out-of-plumb adjustability allows for simpler installation.
- Can be installed to open to the left or right.

#### Components

Additional included component/s: Hardware Kit.



#### Codes/Standards


CPSC 16CFR 1201  
ANSI Z97.1

#### STERLING® Warranty - Bath and Shower Doors

See website for detailed warranty information.

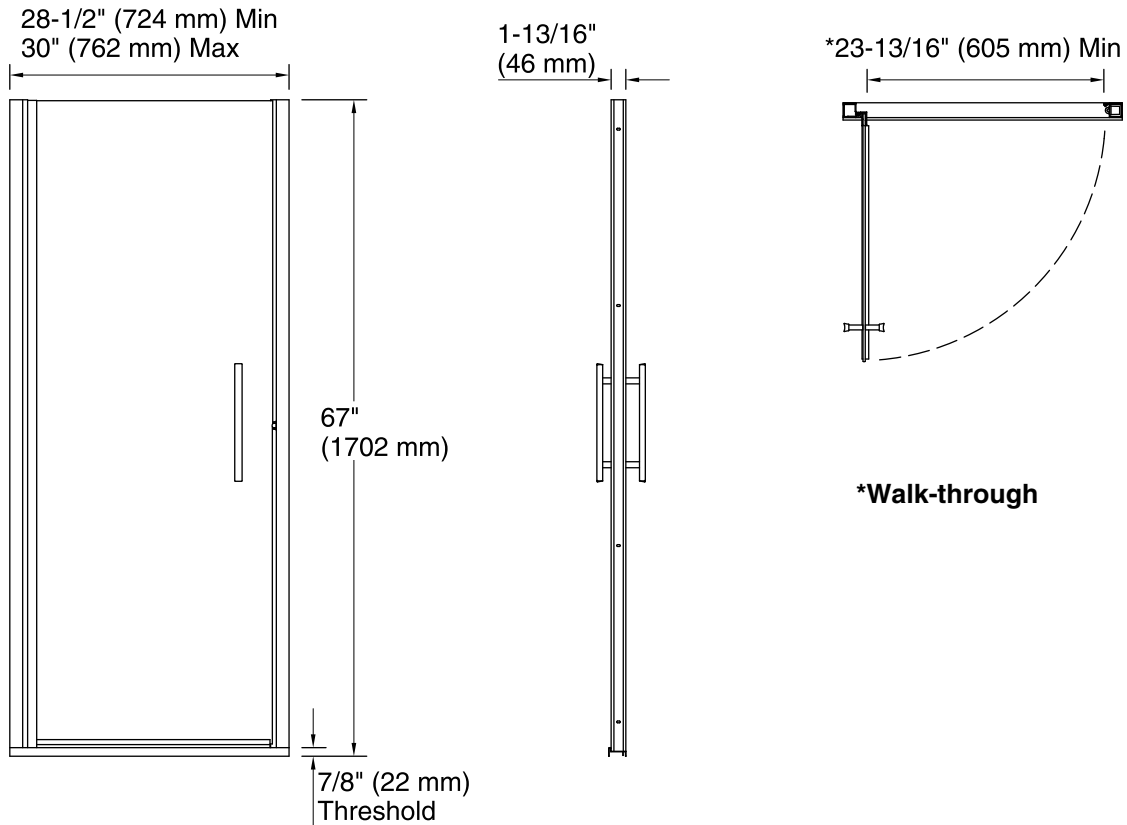
#### Available Color/Finishes

*Color tiles intended for reference only.*

Color	Code	Description
	ADR	Anodized Deep Bronze
	N	Nickel
	S	Silver

#### Available Glass Options

Code	Description
G05	Clear
G03	Frosted



**\*Walk-through**

**Technical Information**

All product dimensions are nominal.  
 Installation type: For shower base installation  
 Opening Width - Min: 28-1/2" (724 mm)  
 Opening Width - Max: 30" (762 mm)  
 Walk-through - Min: 23-13/16" (605 mm)  
 Glass thickness: 5/16" (8 mm)  
 Glass coating: CleanCoat®

**Notes**

Install this product according to the installation instructions.  
 The vertical opening should be a minimum of 67" (1702 mm) to allow for installation clearance.