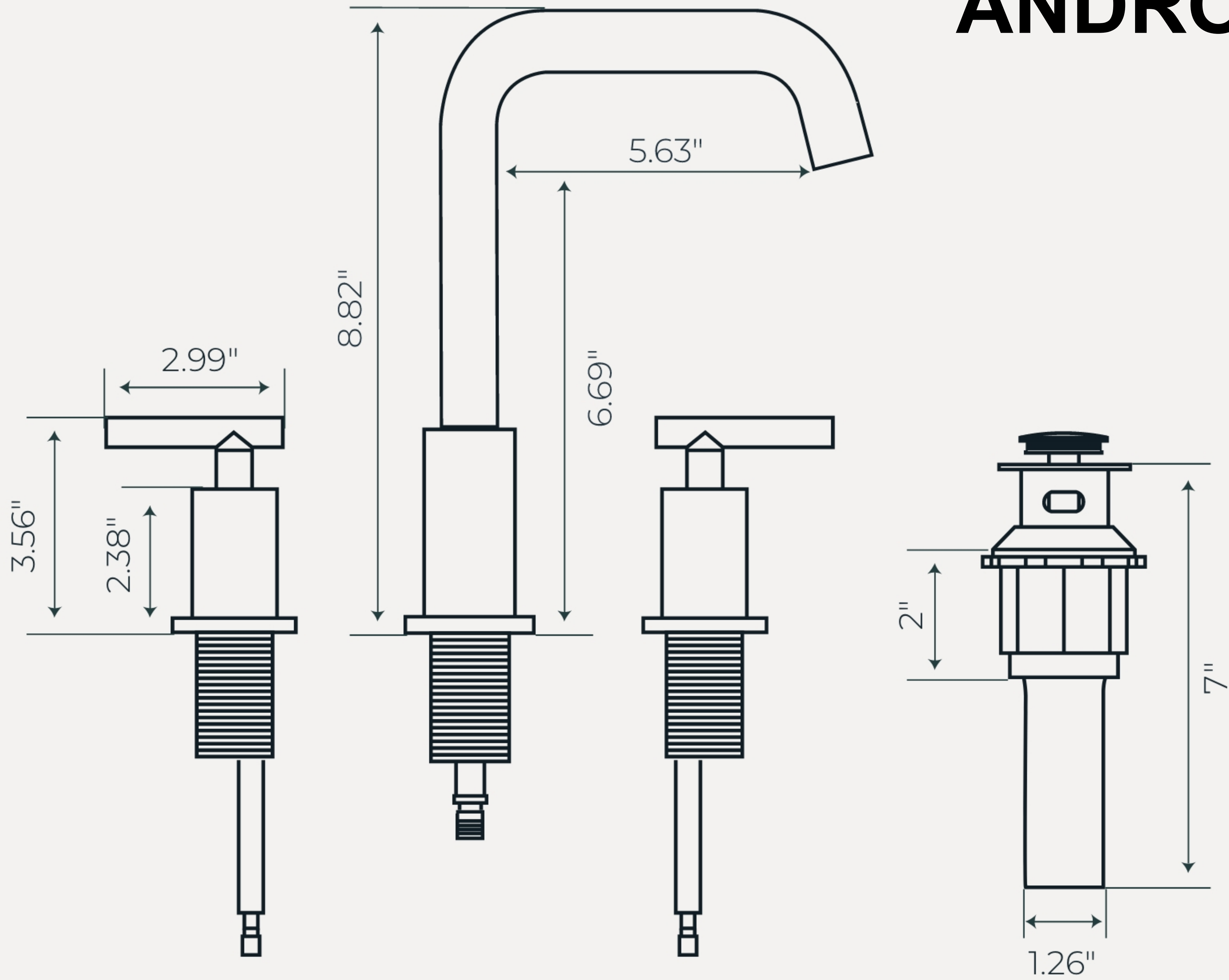
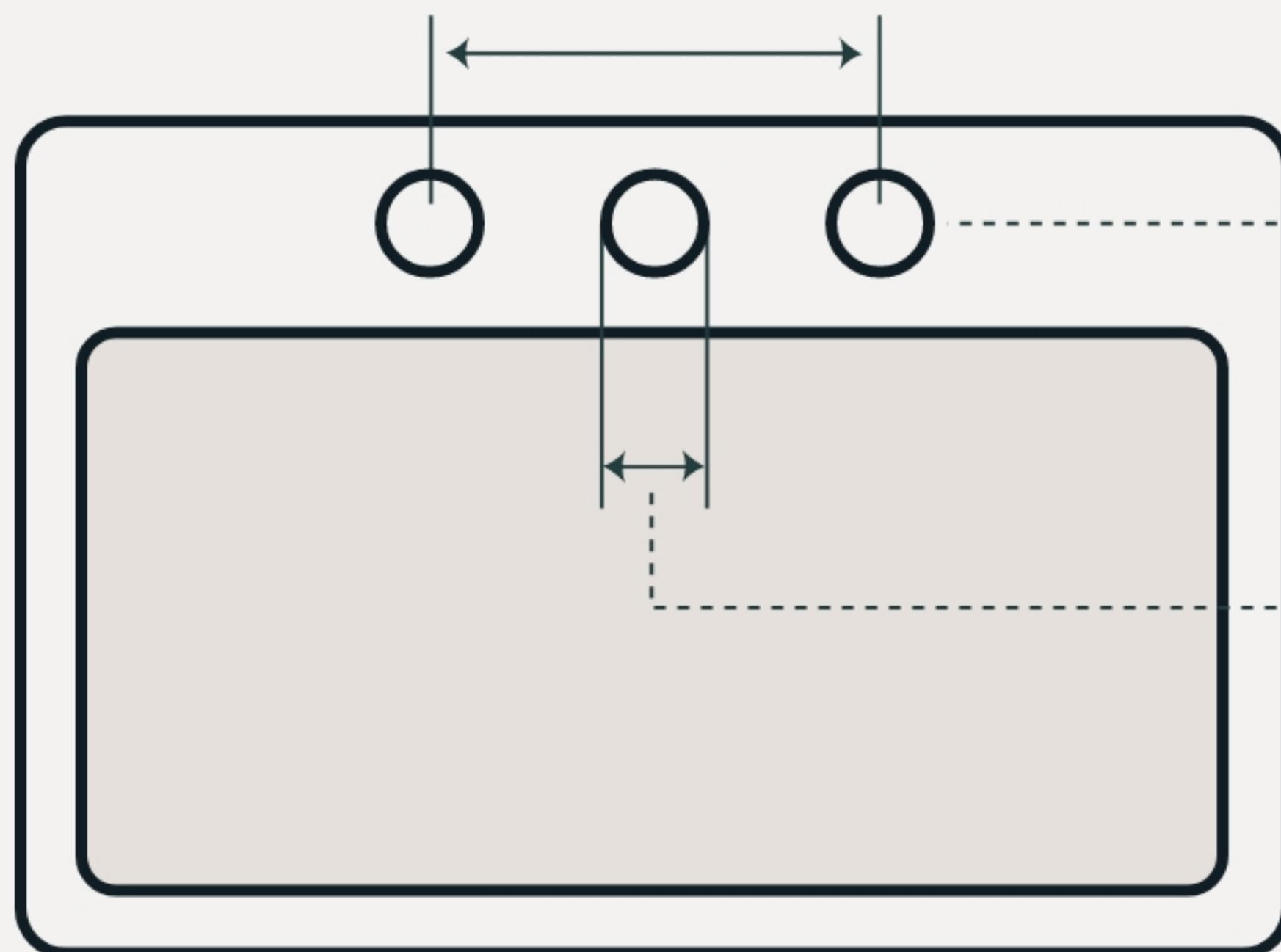


ANDROME



Recommend 6"-12" centerset width



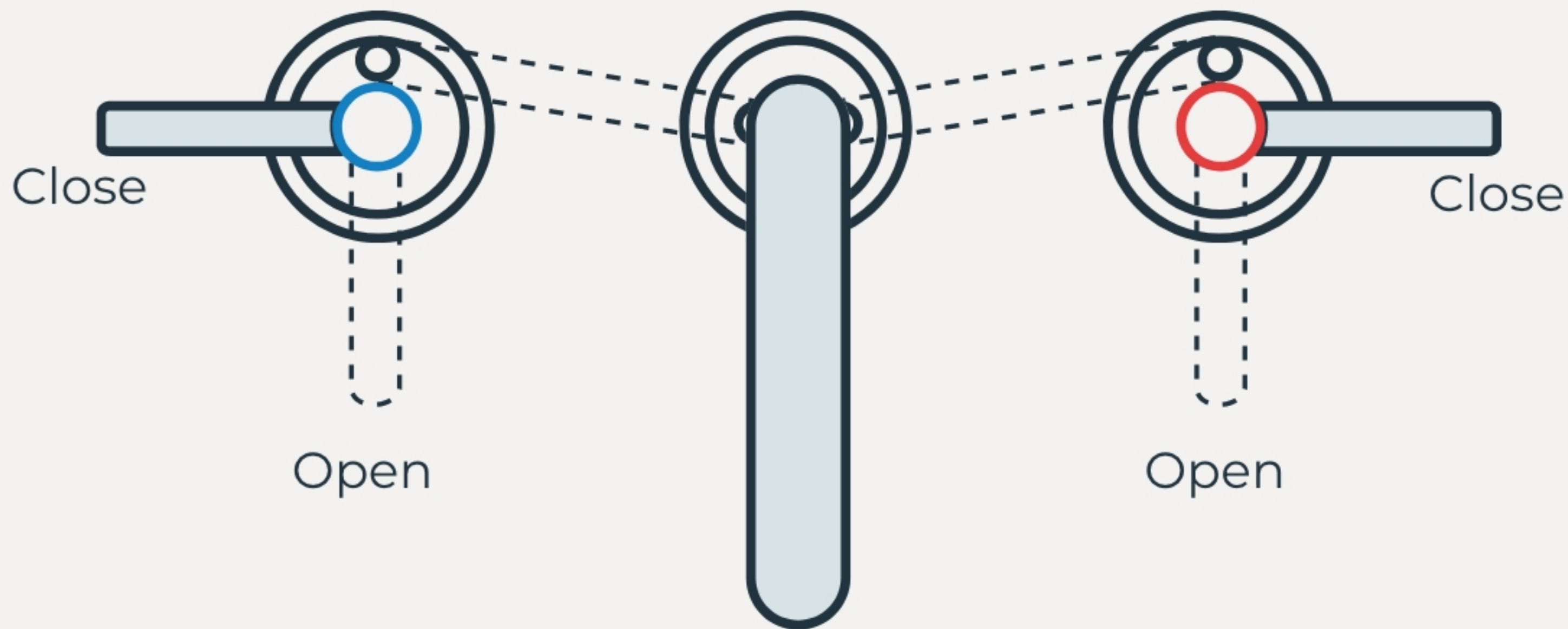
Maximum Thickness
1.38"/35mm

Pre-drilled hole size requirement:
1.26"min - 1.38"max

ANDROME

COLD VALVE
to hot water

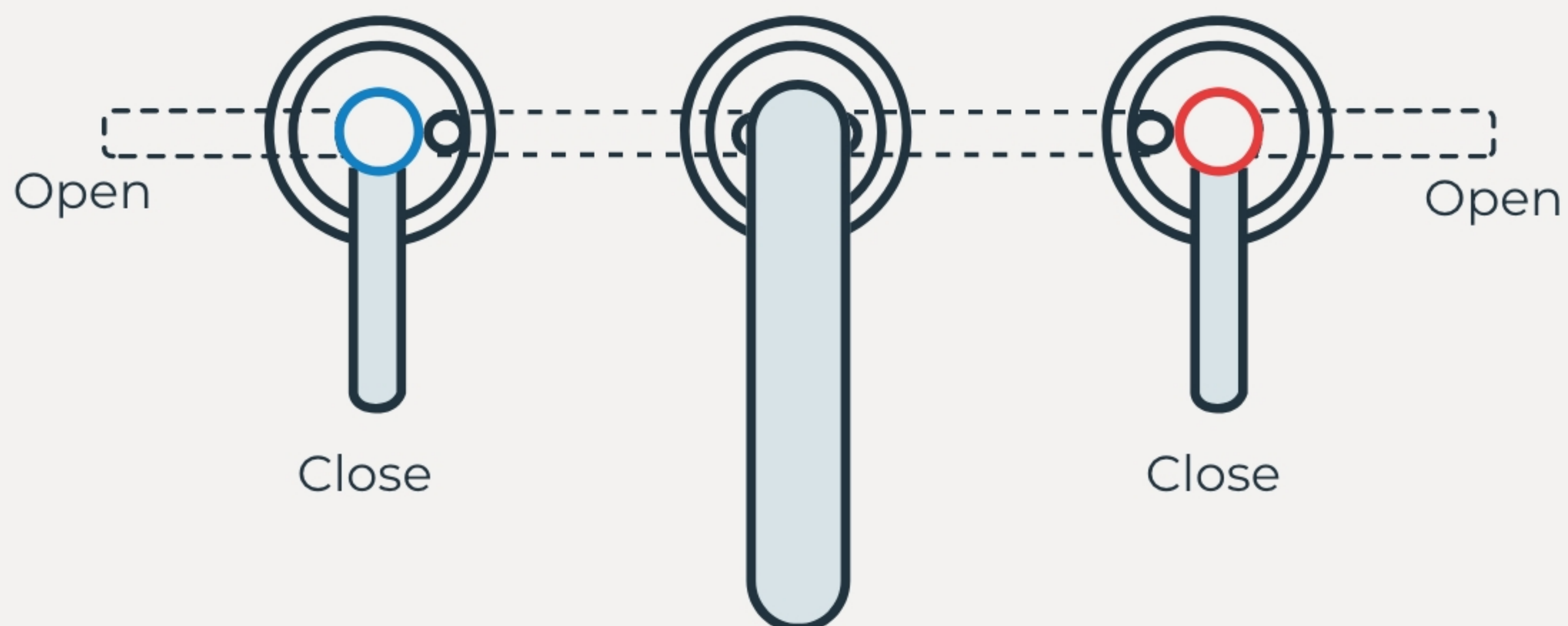
HOT VALVE
to cold water



**HORIZONTAL
DIRECTION**

HOT VALVE
to cold water

COLD VALVE
to hot water



**VERTICAL
DIRECTION**