



**WATER
DISPENSER**



USE & CARE GUIDE

Your safety and the safety of others are very important.

We have provided many important safety messages in this manual and on your appliance. Always read and obey all safety messages.



This is the safety alert symbol.

This symbol alerts you to potential hazards that can kill or hurt you and others.

All safety messages will follow the safety alert symbol and either the word “DANGER” or “WARNING.”

These words mean:

⚠ DANGER

You can be killed or seriously injured if you don't immediately follow instructions.

⚠ WARNING

You can be killed or seriously injured if you don't follow instructions.

All safety messages will tell you what the potential hazard is, tell you how to reduce the chance of injury, and tell you what can happen if the instructions are not followed.

***NOTE:** In accordance with guidelines from the American Heart Association, as with many products containing magnets, it is recommended that those with implantable pacemakers/defibrillators should use care and keep their device 12 inches away from the dispenser.*

INTRODUCTION 4-7

Get to know your new Water Dispenser

INSTALLATION 8-18

Prepare for installation

Overview

Step-by-step instructions

USE 19-21

Get freshly filtered water on demand

Important information about your filter

Learn about the EveryDrop™ filter subscription service

Winterize your Water Dispenser

CARE 22-25

Replace your filter every six months

Troubleshoot potential problems

WARRANTY 26-27

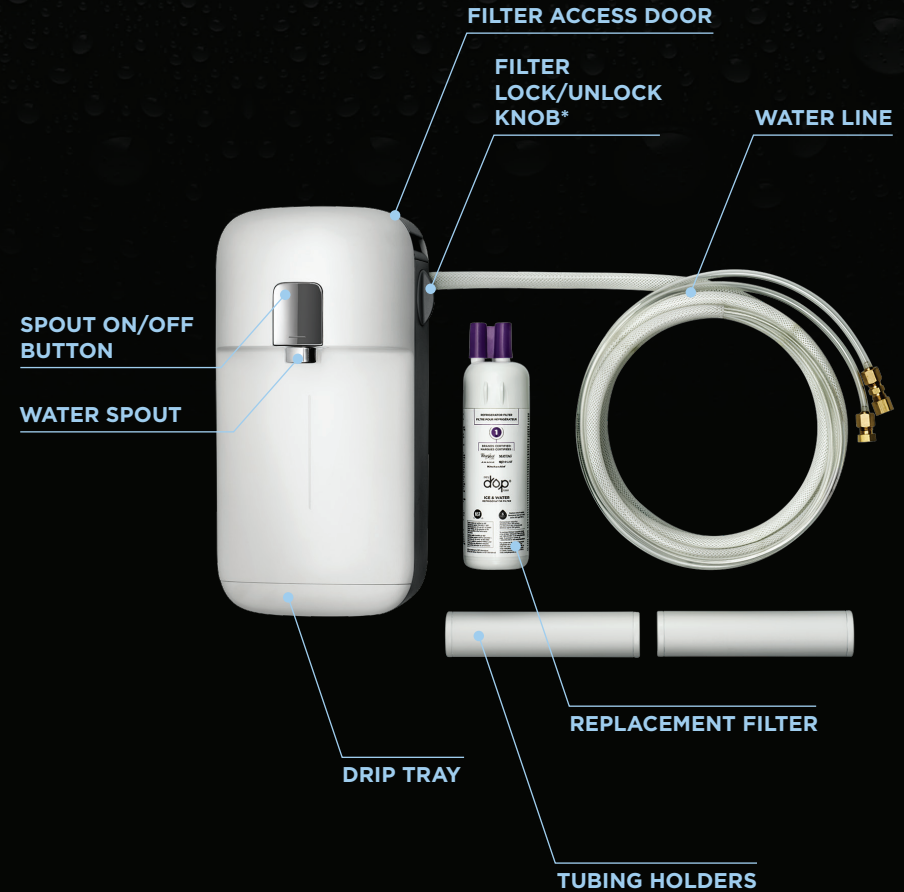
PERFORMANCE DATA SHEET 28

Watch our step-by-step installation video online at bit.ly/edwdispenserhowto.

WELCOME TO A NEW WAY TO WATER

Refilling bulky pitchers, rethinking shelf space, and being concerned about contaminants are all behind you. Now you're ready to enjoy a steady stream of clean water at the push of a button. Let's get started.

GET TO KNOW YOUR EVERYDROP™ WATER DISPENSER



*Locking the knob turns on the flow of water from your water supply to the filter. Unlocking the knob turns the flow off.

INTRODUCTION

WATER SUPPLY REQUIREMENTS

A cold water supply with water pressure between 30 and 120 psi (207 and 827 kPa) is required to operate the Water Dispenser and ice maker. The maximum operating water temperature is 100° F (38° C).

If the water pressure is less than what is required, the flow of water from the Water Dispenser could decrease or ice cubes could be hollow or irregularly shaped.

If you have questions about your water pressure, call a licensed, qualified plumber.

TOOLS THAT MAY BE NEEDED BASED ON INSTALLATION REQUIREMENTS

Gather the required tools and parts before starting installation. The required tools may vary, depending on your specific installation requirements.

- Flat-blade screwdriver
- Pliers
- 2 adjustable wrenches
- Bucket
- Towel

NOTE: Do not use a piercing-type or 3/16" (4.76 mm) saddle valve, which reduces water flow and can clog more easily.

IMPORTANT

- Plumbing must be installed in accordance with the International Plumbing Code and any local codes and ordinances.
- Copper and PEX tubing connections from the household water line to the refrigerator are acceptable and will help avoid off-taste or off-odor water and ice. Check for leaks.
- If PEX tubing is used instead of copper, we recommend the following part numbers: W10505928RP (7 ft. [2.14 m]) and W10267701RP (25 ft. [7.62 m] PEX).
- Install tubing only in areas where temperature will remain above freezing.

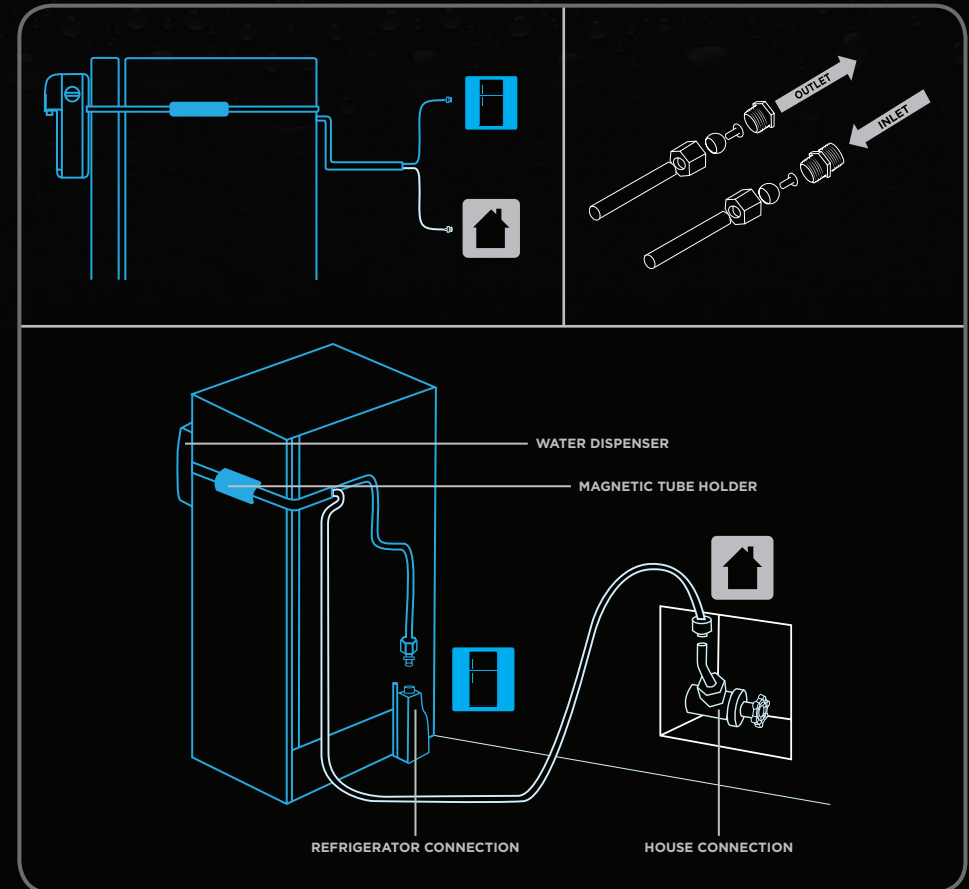
INSTALLATION

PREPARING FOR INSTALLATION

1. Clean refrigerator surface using a mild dish detergent solution. Dry thoroughly to avoid water spots.
 - Wash refrigerator exterior with a clean, soft cloth or sponge and a mild detergent in warm water. Rinse surface with clean, warm water. (NOTE: If your refrigerator is stainless steel, always wipe in the direction of the grain to avoid cross-grain scratching.)
2. You will need two adjustable wrenches and one pair of pliers for tightening.
3. You will need a towel and a bucket for excess water.

INSTALLATION OVERVIEW

There are two tubes attached to your Water Dispenser. The house line connects to your house's cold water supply. If you have an ice maker, the dispenser's refrigerator line connects to your refrigerator. You will need to remove the cap from the end of the tube to connect it to your refrigerator.



INSTALLATION

1 MOVE AND UNPLUG REFRIGERATOR



Slide the refrigerator out so you can access the water connections behind it. Then, unplug the refrigerator power cord.

NOTE:
Your refrigerator is heavy. When moving the refrigerator for cleaning or service, be sure to cover the floor with cardboard or hardboard to avoid floor damage. Always pull the refrigerator straight out when moving it. Do not wiggle or “walk” the refrigerator when trying to move it, as floor damage could occur.

⚠ WARNING

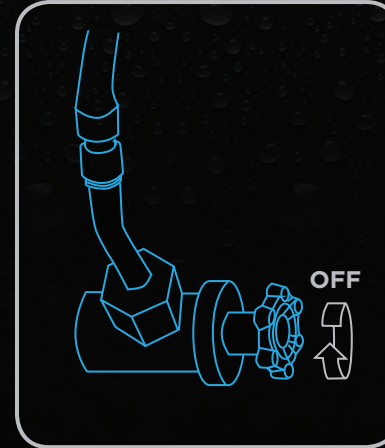
Excessive Weight Hazard
Use two or more people to move and install refrigerator.
Failure to do so can result in back or other injury.

⚠ WARNING



Electrical Shock Hazard
Disconnect power before servicing.
Replace all parts and panels before operating.
Failure to follow these instructions can result in death or electrical shock.

2 SHUT OFF WATER

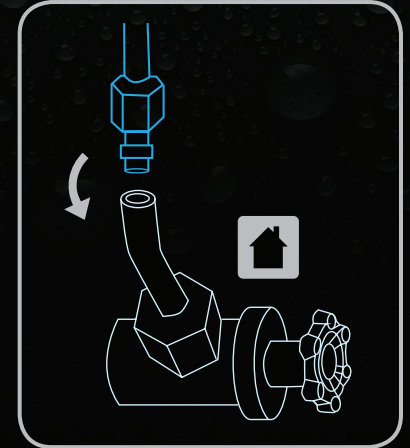


If your refrigerator does not have an ice maker, skip ahead to step 5.

If your refrigerator does have an ice maker, find the water shut-off valve for your house’s water line and turn off your water.

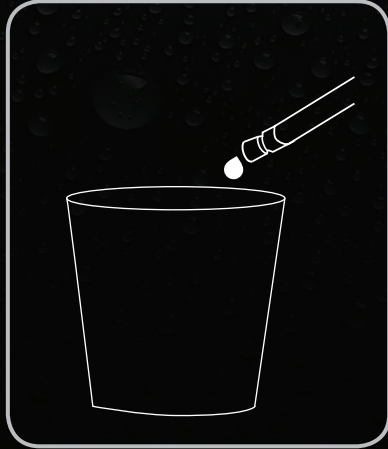
IMPORTANT: Turn the water back on before plugging your refrigerator back in.

3 DISCONNECT WATER LINE



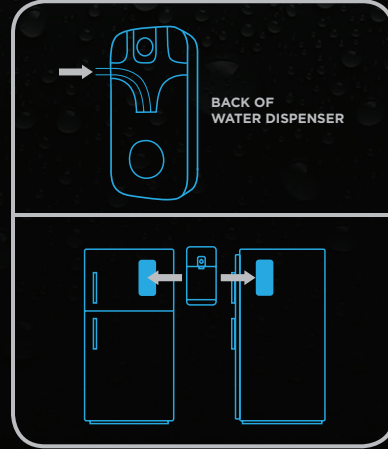
Disconnect the water line that is running between your refrigerator and the house at the refrigerator end.

4 EMPTY WATER LINE



Empty any excess water that may be in the water line tube into a bucket.

5 MOUNT DISPENSER



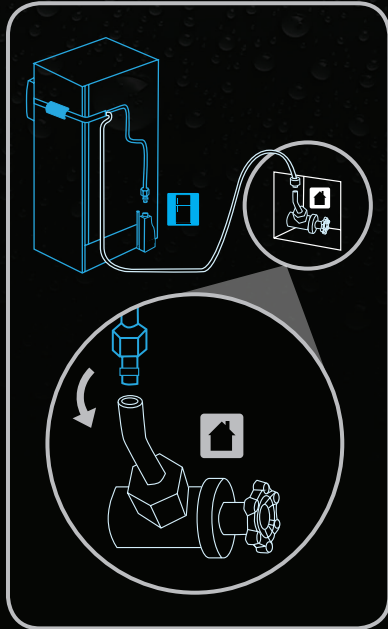
Route the dispenser's tubing through the prongs on the back of the unit and place the dispenser on the front or side of your refrigerator with its integrated magnets. If hanging on the front, mount the dispenser 2-3 inches from the hinge side to allow the tubing to move freely within the Tubing Holders on the side.

6 MOUNT TUBING

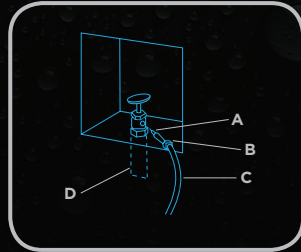


Mount the two Tubing Holders to the side of the refrigerator and run the tubing through the holder—do this prior to making any water connections. Mount the holders 2-3 inches from the front and back of refrigerator.

7 CONNECT TO WATER SUPPLY

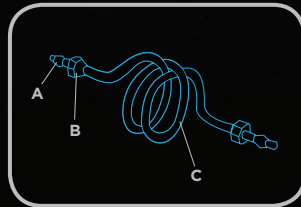


WATER LINE PARTS



CONNECTION POINT

- A. Sleeve
- B. Nut
- C. Copper tubing (to refrigerator)
- D. Household supply line (1/2" min.)

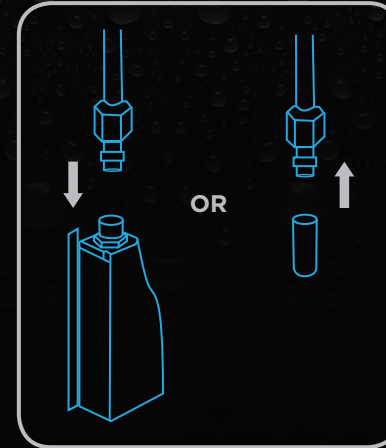


HOSE

- A. Compression sleeve
- B. Compression nut
- C. Copper tubing

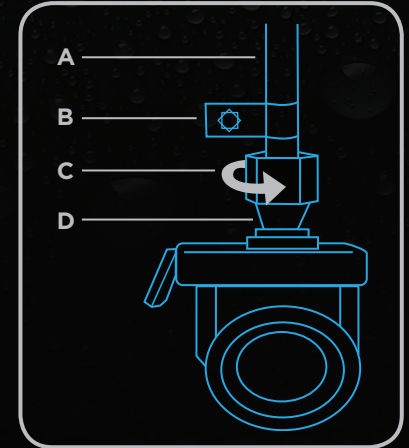
Disconnect the old hose from your house water line and replace it with the dispenser's house water line. Use your hand to tighten the nut, then use a wrench to give it a half-turn.

8 CONNECT TO REFRIGERATOR



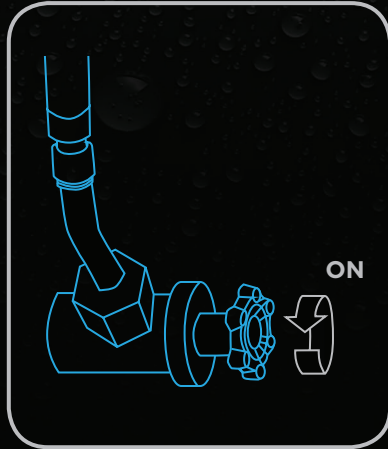
If you don't have an ice maker, skip this step. Simply leave the cap on the dispenser's refrigerator line and move on to step 9.

If your refrigerator has an ice maker, remove the cap from the end of the dispenser's refrigerator line and connect the line to your refrigerator. Hand-tighten the nut, then use a wrench to give it a half-turn. Be careful not to overtighten the nut, and avoid kinks in the line.



- A. Copper tubing
- B. P-clamp
- C. Compression nut
- D. Compression sleeve

9 TURN WATER ON



Turn your house's water back on. Make sure water isn't leaking anywhere. If it is, check the connections and tighten if necessary.

10 PLUG IN REFRIGERATOR AND MOVE IT BACK



Plug the refrigerator power cord back into the outlet and slide the refrigerator back into place.

NOTE:
Your refrigerator is heavy. When moving the refrigerator for cleaning or service, be sure to cover the floor with cardboard or hardboard to avoid floor damage. Always pull the refrigerator straight out when moving it. Do not wiggle or "walk" the refrigerator when trying to move it, as floor damage could occur.

! WARNING

Excessive Weight Hazard
Use two or more people to move and install refrigerator. Failure to do so can result in back or other injury.

! WARNING

Electrical Shock Hazard
Disconnect power before servicing. Replace all parts and panels before operating. Failure to follow these instructions can result in death or electrical shock.

11 FLUSH FILTER



Hold a bucket under the Spout. Press and hold the Spout On/Off Button for a total of eight minutes, emptying your bucket when necessary. This will flush out your filter. Repeat this process every time you replace your water filter.

12 ENJOY



Your EveryDrop™ Water Dispenser is now ready to use. Enjoy great-tasting filtered water at the push of a button.

HOW TO USE THE PRODUCT

The purpose of the EveryDrop™ Water Dispenser is to deliver filtered tap water when and where you want it. The built-in magnet allows you to attach the dispenser anywhere on the magnetic surface of your refrigerator.

The EveryDrop™ Water Dispenser includes a pull-out Drip Tray that is intended to catch any drips. The Drip Tray is not intended to support a glass or container.

To use the Water Dispenser, place a glass or container under the Spout. With your other hand, press the Spout On/Off Button to dispense the water. Continue pressing the button until your glass or container has the amount of water you would like. Release the button to stop the water flow. Rated service flow is 0.5 gpm (1.89 lpm).

NOTE: The Spout On/Off Button is harder to push when water pressure is applied. For the best experience, press along the raised line on the button face.

NOTE: The Filter Lock/Unlock Knob also controls the water valve. Locking the knob turns on the flow of water from your water supply to the filter. Unlocking the knob turns the flow off.

THE EVERYDROP™ WATER DISPENSER REQUIRES EVERYDROP™ FILTER 1

(Model Number: EDR1RXD1)

- Certified to reduce more contaminants than any water pitcher.*
- Reduces 28 contaminants—including lead—and eliminates the taste of chlorine.
- Replace filter every six months or every 200 gallons to maximize contaminant reduction.
- One filter equals 1500 water bottles.**

THE EVERYDROP™ FILTER 1 REDUCES THE FOLLOWING CONTAMINANTS:



PHARMACEUTICALS

Atenolol
Carbamazepine
Estrone
Naproxen
Phenytoin
Trimethoprim

PESTICIDES

2,4-D
Atrazine
Carbofuran
Endrin
Lindane
Linuron
p-Dichlorobenzene
Toxaphene

METALS

Lead

MINERALS

Asbestos

WATERBORNE PARASITES

Cysts

INDUSTRIAL CHEMICALS

1,2,4-Trichlorobenzene
Benzene
Bisphenol A
Ethylbenzene
Nonylphenol
o-Dichlorobenzene
Styrene
Tetrachloroethylene
Toluene

TASTE & ODOR

Chlorine

OTHER

Particulates, Class I
Turbidity

FILTER SUBSCRIPTION SERVICE

EveryDrop™ offers a subscription service to receive replacement filters for your EveryDrop™ Water Dispenser every 3 or 6 months, depending on your household size and water consumption.

This service offers savings on the filters and allows you to stay on top of your filter replacements to maximize your contaminant reduction.

Go to everydropwater.com to sign up for our subscription service for Filter 1 or call our Customer Experience Center at 1.800.442.9991, Monday–Friday, 8am–8pm (ET).

WINTERIZATION

If you expect your EveryDrop™ Water Dispenser to encounter below-freezing temperatures:

1. Disconnect dispenser's tubing from your house's water supply. If your refrigerator has an ice maker, disconnect the dispenser's tubing from your refrigerator. If you don't have an ice maker, remove the cap from the end of the dispenser's refrigerator line.
2. Empty any water in the dispenser's tubes into a bucket. Keep the dispenser higher than the bucket to drain the water faster.
3. Remove filter.
4. Close the Filter Access Door. Do not replace or reinsert the filter.
5. Clean the Drip Tray of any water.
6. Hold the Spout On/Off Button until no water comes out.
7. When you're ready to use your Water Dispenser again, flush it for 2 minutes (or 1 gallon of water) prior to reusing.

*Based on NSF certifications as of 6/22/2017

** 16.9 oz

1 UNLOCK



To change the filter, turn the Filter Lock/Unlock Knob on the side of the unit so that the knob is pointing to the unlock icon.

2 OPEN FILTER ACCESS DOOR



Open the Filter Access Door on the top of the dispenser.

3 PULL OUT OLD FILTER



Pull out the old filter. It's normal for some water to be expelled from the filter or leak from the housing when a filter is removed or inserted. Make sure the Drip Tray is closed to catch most of this water. Once you've removed the filter, pull out the Drip Tray to clean out any water it may have caught.

NOTE:
Old filters can be sent back to EveryDrop™ to be recycled. New filters can be purchased by calling 1.800.442.9991 (Monday–Friday, 8am–8pm ET), through our website (everydropwater.com), or at any certified dealer.

4 INSERT NEW FILTER



Remove the cap from the top of the Replacement Filter and insert the filter into the Filter Access Door. Close the door and turn the Filter Lock/Unlock Knob to the lock icon.

NOTE:
Before locking the Filter Lock/Unlock Knob, push the Filter Access Door down until you hear it snap into place. This ensures the door is closed.

WATER FILTER REMINDER STICKER

Enclosed is a Filter Reminder Sticker. Write the filter color (purple) or number (Filter 1) on the sticker. Write the replacement date, which is six months from the date you install the current filter.

Place the sticker where you will see it as a reminder.

When it's time for a new filter, head to everydropwater.com or any certified dealer.

TROUBLESHOOTING

If your EveryDrop™ Water Dispenser is not operating properly, check the following.

- **Is the refrigerator connected to a water supply?**

If not, connect the refrigerator to the water supply coming from the house as instructed earlier in this guide.

- **Is the Filter Lock/Unlock Knob in the unlock position?**

The Filter Lock/Unlock Knob controls the flow of water to the filter, spout, and ice maker (if applicable). Unlocking the knob disrupts the flow of water. If the knob is unlocked, turn the knob so it is in the locked position.

- **Is there a kink in the water source line?**

If so, straighten the water source line to remove the kink.

- **Is this a new installation?**

If so, flush and fill the water system. See Step 11 on page 18.

- **Is the water pressure at least 30 psi (241 kPa)?**

The water pressure to the home determines the flow from the dispenser. See “Water Supply Requirements” on page 6.

- **Is the water cloudy?**

If so, the filter needs to be flushed further to saturate the filter and remove any trapped air.

- **Is the Water Dispenser leaking?**

Check all water connections and make sure the Drip Tray is in place. If leaking persists at the unit, unlock the Filter Lock/Unlock Knob to stop the flow of water.

- **Other issues?**

Call our Customer Experience Center at 1.800.442.9991, Monday–Friday, 8am–8pm (ET).

WARRANTY INFORMATION

LIMITED WARRANTY

ATTACH YOUR RECEIPT HERE. PROOF OF PURCHASE IS REQUIRED TO OBTAIN WARRANTY SERVICE.

Please have the following information available when you call our Customer Experience Center:

- Name, address and telephone number
- Model number and serial number
- A clear, detailed description of the problem
- Proof of purchase, including dealer or retailer name and address

HASSLE-FREE REPLACEMENT WARRANTY

We're so confident the quality of our products meets the exacting standards of EveryDrop™ that, if your EveryDrop™ Water Dispenser should fail within the first year of ownership, EveryDrop™ will arrange to deliver an identical or comparable replacement to your door free of charge and arrange to have your original EveryDrop™ Dispenser returned to us. Your replacement unit will be covered through the conclusion of the original one-year limited warranty. If your EveryDrop™ Dispenser should fail within the first year of ownership, simply call our Customer Experience Center at 1.800.442.9991. Please have your original sales receipt available when you call. Proof of purchase will be required to initiate the claim. Give the consultant your complete shipping address. (No P.O. box numbers, please.) When you receive your replacement EveryDrop™ Water Dispenser, use the carton and the prepaid shipping label to pack up your original EveryDrop™ Dispenser and send it back to EveryDrop™.

EVERYDROP™ DISPENSER LIMITED ONE-YEAR WARRANTY

This limited warranty extends to the purchaser and any succeeding owner for EveryDrop™ Water Dispensers operated in the 50 United States and the District of Columbia.

LENGTH OF WARRANTY: One-year limited warranty from date of purchase.

EVERYDROP™ WILL PAY FOR: Full replacement of your EveryDrop™ Water Dispenser to correct defects in materials and workmanship. For assistance, call our Customer Experience Center at 1.800.442.9991.

EVERYDROP™ WILL NOT PAY FOR:

1. Commercial, non-residential, multiple-family use, or use inconsistent with published user, operator, or installation instructions
2. In-home instruction on how to use your product
3. Damage resulting from accident, alteration, misuse, or abuse
4. EveryDrop™ Water Dispensers operated outside the 50 United States and the District of Columbia
5. Repair and/or service labor costs
6. Consumable parts (i.e., light bulbs, batteries, air or water filters, preservation solutions, etc.)
7. Defects or damage caused by the use of non-genuine Whirlpool® parts or accessories
8. Cosmetic damage, including scratches, dents, chips, and other damage to the appliance finishes unless such damage results from defects in materials and workmanship and is reported to EveryDrop™ within 30 days
9. Discoloration, rust, or oxidation of surfaces resulting from caustic or corrosive environments, including but not limited to high salt concentrations, high moisture, humidity, or exposure to chemicals.

Disclaimer of implied warranties: Limitation of remedies Implied warranties, including to the extent applicable warranties of merchantability or fitness for a particular purpose are excluded to the extent legally permissible. Any implied warranties that may be imposed by law are limited to one year, or the shortest period allowed by law. Some states do not allow limitations or exclusions on how long an implied warranty of merchantability or fitness lasts, so the above limitations or exclusions may not apply to you. If this product fails to work as warranted, customer's sole and exclusive remedy shall be replacement or replacement parts according to the terms of this limited warranty. EveryDrop™ does not assume any responsibility for incidental or consequential damages. This warranty gives you specific legal rights, and you may also have other rights that vary from state to state.

Performance Data Sheet

To view the Performance Data Sheet, please go to everydropwater.com and search for the Performance Data Sheet under Refrigerator Filter 1.

System model EDRD101G1W replacement element EDR1RXD1
(Filter 1, P8WB2L/P8RFWB2L)



Tested and Certified by NSF International against NSF/ANSI Standards 42, 53 and 401 for the reduction of claims specified on the Performance Data Sheet.

Do not use water that is microbiologically unsafe or of unknown quality without adequate disinfection before or after the system. Systems certified for cyst reduction may be used on disinfected water that may contain filterable cysts.

This system has been tested according to NSF/ANSI Standards 42, 53, and 401 for the reduction of the substances located on the website everydropwater.com. NSF/ANSI Standard 401 has been deemed as “incidental contaminants/emerging compounds.” Incidental contaminants are those compounds that have been detected in drinking water supplies at trace levels. While occurring at only trace levels, these compounds can affect the public acceptance/perception of drinking water quality.

WARNING: This product contains one or more chemicals known to the State of California to cause cancer.

WARNING: This product contains one or more chemicals known to the State of California to cause birth defects or other reproductive harm.

Customer Support
1.800.462.3819

everydropwater.com

