



# Z5571

## 1.0 gpf Pressure Assist Elongated, Two-Piece Toilet

TAG \_\_\_\_\_



Z5571

### Z5571 Series

- 1.0 gpf (gallons per flush)
- High Efficiency Toilet (HET) reduces potable water usage over 30%
- Vitreous china
- Pressure assisted tank
- High performance EcoFlush™ technology
- Easy touch handle actuation
- Ultra quiet flush
- Siphon jet flush action
- 2-1/8" fully glazed trapway
- Operating pressure range 20-125 psi
- Elongated front rim
- Chrome plated handle
- Large water surface area
- Includes bolt caps
- Shipping weight: 95 lbs

### Suffix Options:

- \_\_\_ -RH Vitreous China right-hand lever tank
- \_\_\_ -VL Vitreous China lid with vandal-proof lockdown.

**Please Note:** HET dual flush 1.6 gpf/ 1.0 gpf pressure assist tank also available. See Models Z5572.

### Recommended Trim:

- Z5972-COMB**  
Closet bolt & wax ring kit.
- Z5958SS-EL**  
Elongated, white, closed front toilet seat with cover & stainless steel check hinge.
- Z8800-CR**  
Standard stop with flexible closet riser.

### Optional Trim:

- Z5975-FLO-JR**  
PVC Flo-Bowl Jr. closet flange kit

### Engineering Specification:

- Z5571** Vitreous china, High Efficiency 1.0 gpf / 4 Lpf, Pressure Assisted Elongated Two Piece Toilet with 12" Rough-in.

*These dimensions and specifications are subject to change without notice.*

*Fixture dimensions meet ANSI/ASME standard A112.19.2-2003 and CAN/CSA B45 requirements.*

This space is for Architectural/engineering Approval

See Zurn One Systems for suggested packages.

ZURN INDUSTRIES, LLC. ♦ COMMERCIAL BRASS OPERATION ♦ 5900 ELWIN BUCHANAN DRIVE ♦ SANFORD NC 27330

Phone: 1-800-997-3876 ♦ Fax: 919-775-3541 ♦ World Wide Web: www.zurn.com

In Canada: ZURN INDUSTRIES LIMITED ♦ 3544 Nashua Drive ♦ Mississauga, Ontario L4V1L2 ♦ Phone: 905-405-8272 Fax: 905-405-1292

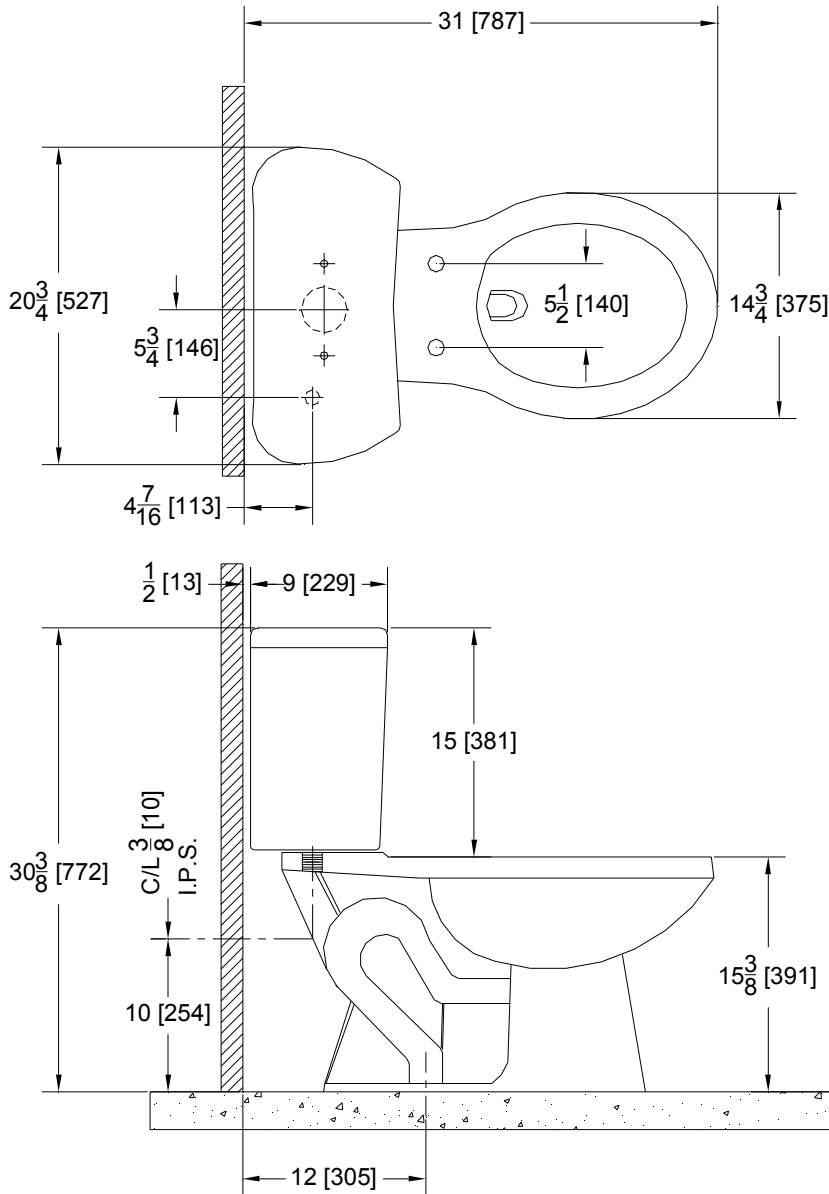


# Z5571

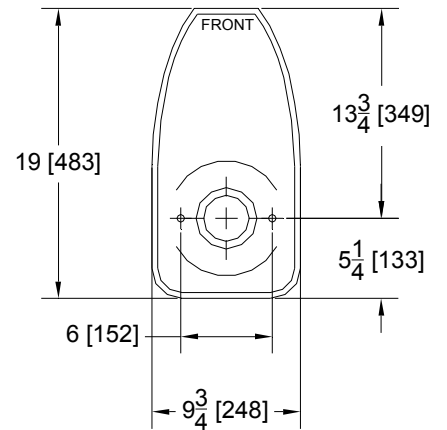
## 1.0 gpf Pressure Assist Elongated, Two-Piece Toilet

TAG \_\_\_\_\_

Rough-in dimensions for Z5571



### FOOTPRINT



These dimensions and specifications are subject to change without notice.

Fixture dimensions meet ANSI/ASME standard A112.19.2-2003 and CAN/CSA B45 requirements.

ZURN INDUSTRIES, LLC. ♦ COMMERCIAL BRASS OPERATION ♦ 5900 ELWIN BUCHANAN DRIVE ♦ SANFORD NC 27330

Phone: 1-800-997-3876 ♦ Fax: 919-775-3541 ♦ World Wide Web: [www.zurn.com](http://www.zurn.com)

In Canada: ZURN INDUSTRIES LIMITED ♦ 3544 Nashua Drive ♦ Mississauga, Ontario L4V1L2 ♦ Phone: 905-405-8272 Fax: 905-405-1292

EcoFlush™ is a trademark of Zurn Industries, LLC.

Rev. D  
Dwg. No. 82494

Date: 10/24/12  
Product No. Z5571