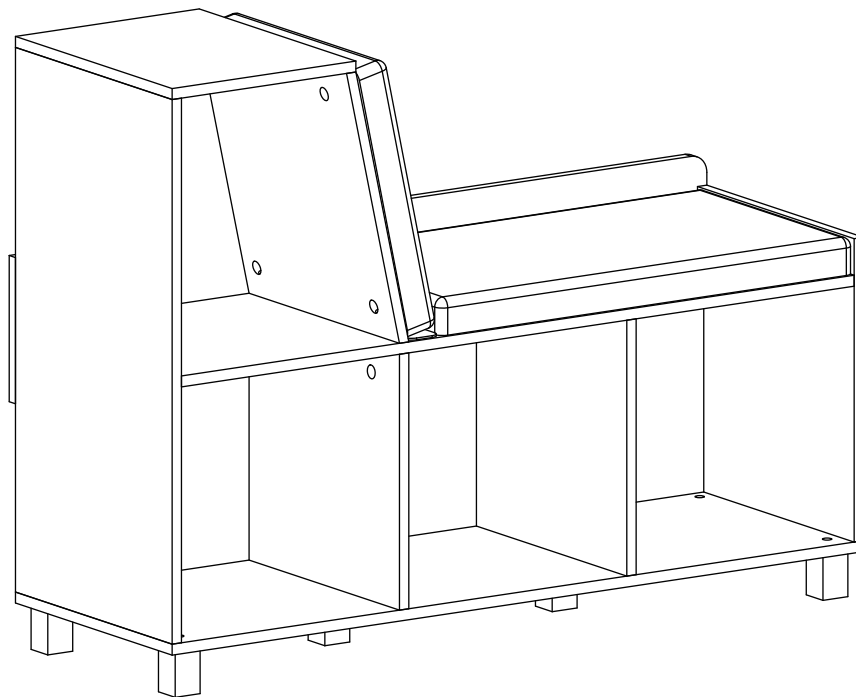




ASSEMBLY INSTRUCTIONS



RiverRidge® Book Nook Kids Storage Bench with Cubbies

ITEM #: 02-163 White

ADULT ASSEMBLY REQUIRED

This product requires assembly by an adult because of small parts. Care should be taken in unpacking and assembling this item to keep small parts away from children. During assembly children should be kept away from the product due to possible risk of injury.

WARNING SEE FULL WARNING ON PAGE 2

Young children can be seriously injured or killed if furniture tips over.
Don't use this item for a TV stand or place heavy objects on top of item.
Always use angle-braces or anchors to secure furniture to the wall.

This product is suitable for children 3 years and older.

THIS STORAGE BENCH WILL HOLD UP TO 20 POUNDS PER CUBBY AND HAS A SEATING CAPACITY OF 75 POUNDS OR A TOTAL OF 155 POUNDS. DO NOT LOAD EACH CUBBY WITH MORE THAN 20 POUNDS OR THE BENCH SEAT WITH MORE THAN 75 POUNDS. IF OVERLOADED WITH MORE THAN 20 POUNDS PER CUBBY OR 75 POUNDS ON THE BENCH SEAT, THIS MAY CAUSE DAMAGE TO THE SHELF AND MAY CAUSE SERIOUS INJURY OR DEATH.

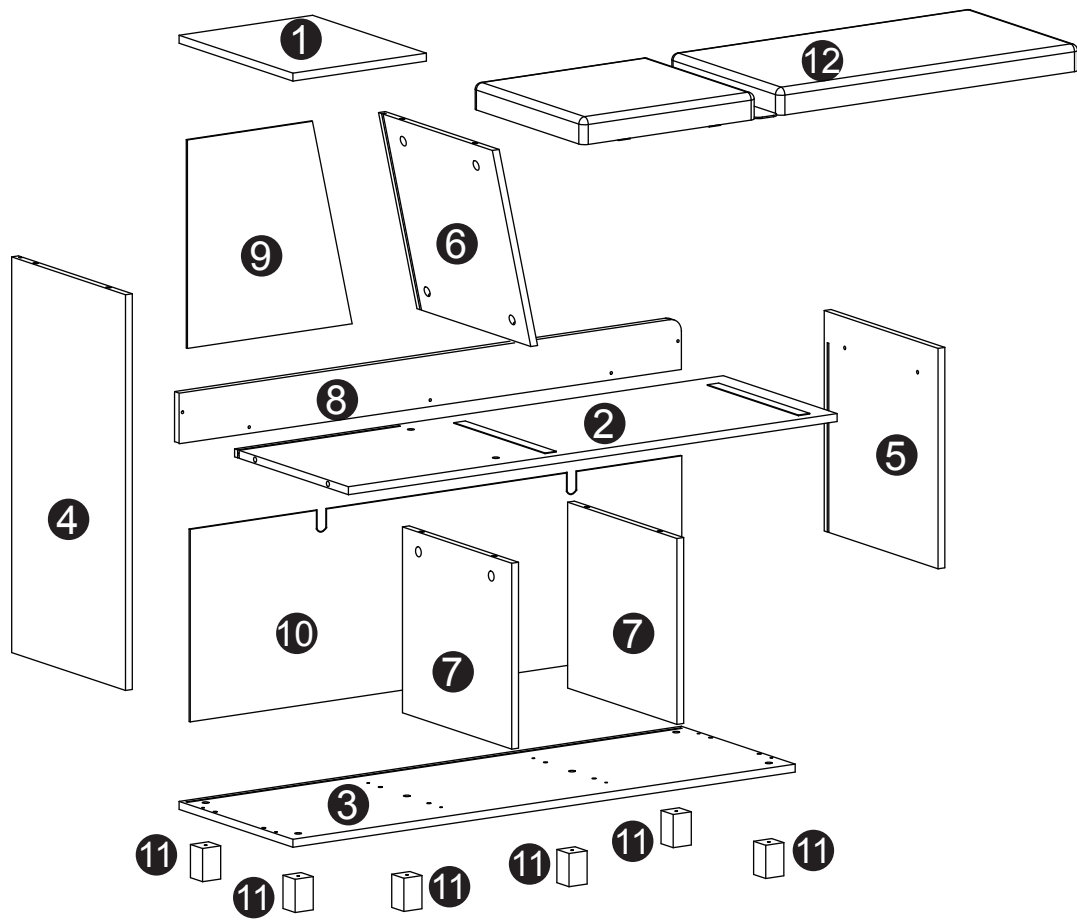


WARNING

SERIOUS OR FATAL INJURIES CAN OCCUR FROM FURNITURE TIP-OVER. TO HELP PREVENT TIP-OVER:

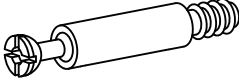



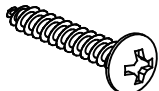



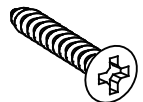
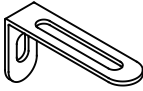

- **Always use tip over restraints and/or wall anchors to secure furniture to the wall**
- **Place heaviest items in the lowest drawers/bins or shelves**
- **Do not set TV's or other heavy objects on the top of this product**
- **Never allow children to climb or hang on to the drawers/bins, doors or shelves of furniture**
- **Never open more than one drawer at a time or defeat or remove any drawer interlock system**

PARTS LIST



NO	QTY	DESCRIPTION
1	1PC	Top Board
2	1PC	Middle Board
3	1PC	Bottom Board
4	1PC	Left Side Panel
5	1PC	Right Side Panel
6	1PC	Upper Slant Board
7	2PCS	Divider Board
8	1PC	Back Cross Bar
9	1PC	Upper Back Panel
10	1PC	Lower Back Panel
11	6PCS	Wood Leg
12	1PC	Cushion

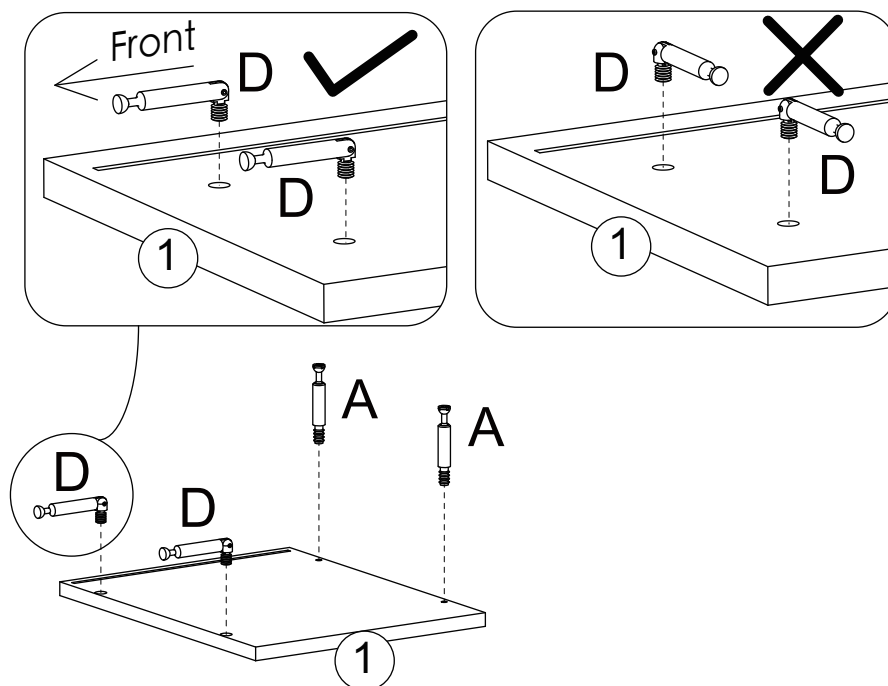
PARTS LIST

NO	PARTS	QTY	DESCRIPTION
A		10PCS	Cam Bolt
B		14PCS	Cam Lock
C		8PCS	Wood Dowel
D		4PCS	Cam Bolt
E		13PCS	Screw (4x35mm)
F		6PCS	Screw (5x40mm)
G		1PC	Allen Wrench
I		2PCS	Plastic Anchor
J		2PCS	Screw (4x30mm)
K		2PCS	Adjustable Anchor Bracket
M		2PCS	Screw (4x10mm)

**TOOLS NEEDED FOR ASSEMBLY: FLAT & PHILLIPS SCREWDRIVER (NOT INCLUDED)
THE USE OF A POWER SCREWDRIVER IS NOT RECOMMENDED FOR ASSEMBLY
DO NOT USE ITEM IF ANY PARTS ARE MISSING OR DAMAGED**

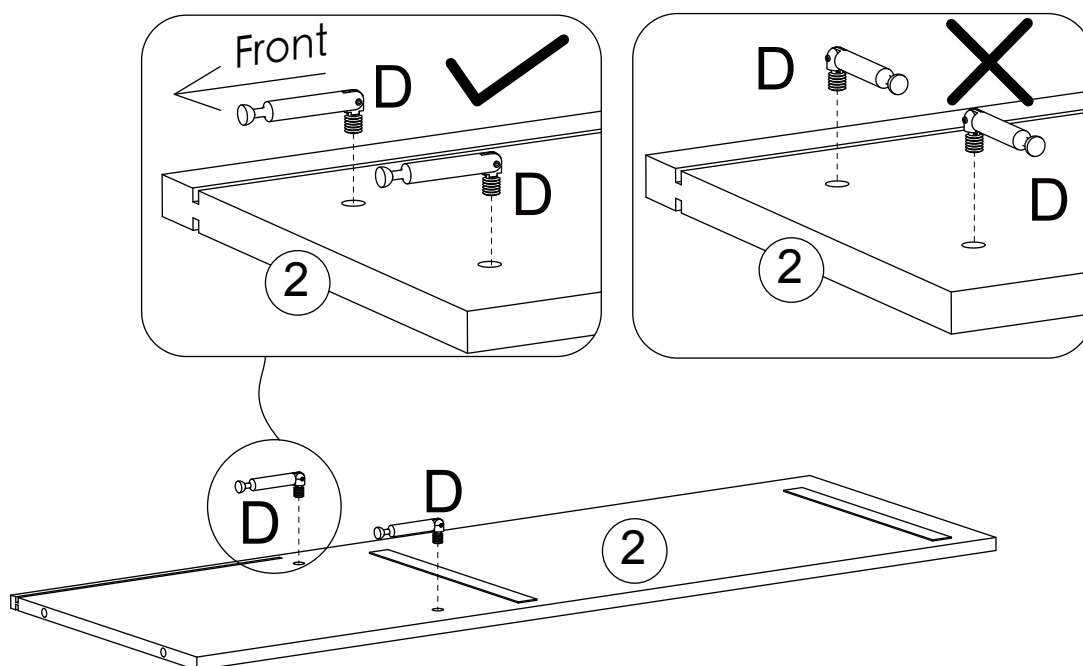
To order replacement parts at no cost to you, email customer.service@ssi-rr.com, call 1-(844)-223-5201 or order parts online at www.riverridgehome.com. Only valid in the United States. If purchased outside of the United States, please contact retailer where purchased.

STEP 1



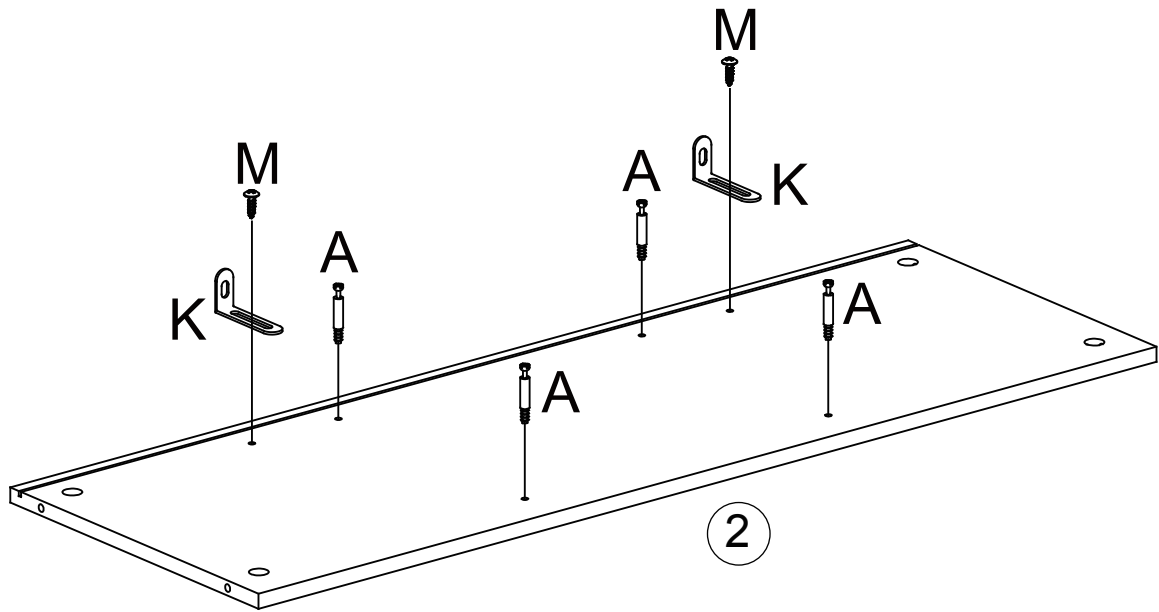
1. Screw 2 cam bolts (A) into cam bolt holes on top board (1).
2. Screw 2 cam bolts (D) into cam bolt holes on top board (1), make sure cam bolts (D) face correct direction as drawing shows.

STEP 2



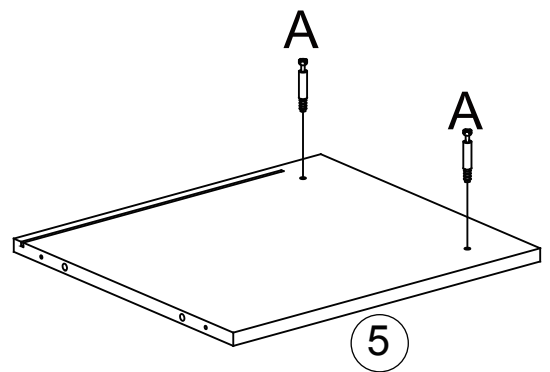
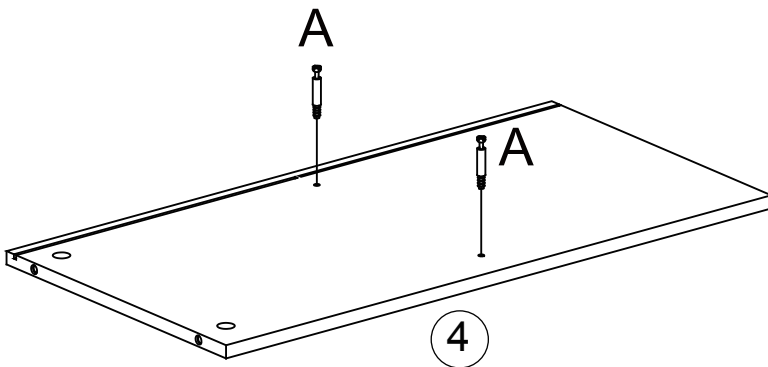
1. Screw 2 cam bolts (D) into cam bolt holes on middle board (2), make sure cam bolts (D) face correct direction as drawing shows.

STEP 3



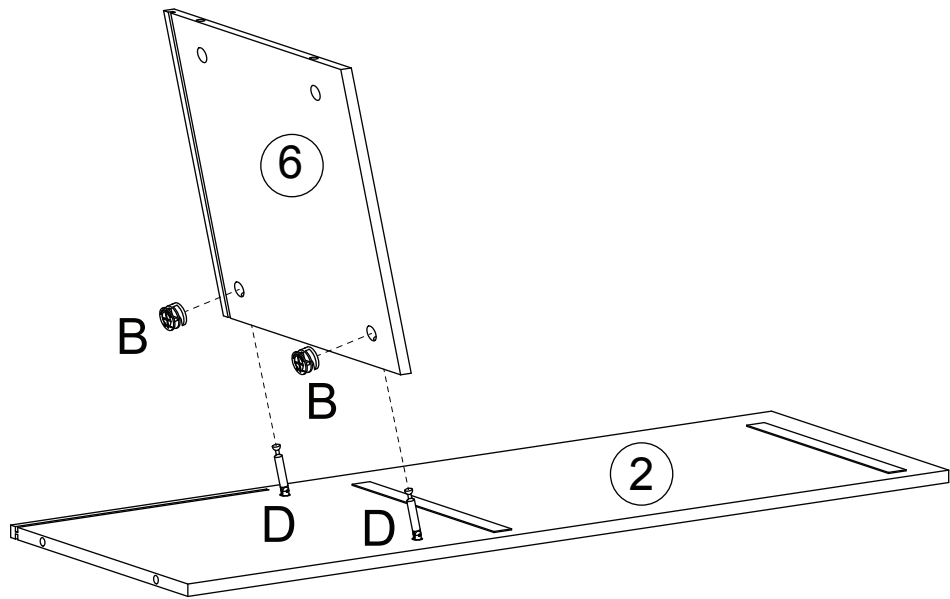
1. Screw 4 cam bolts (A) into cam bolt holes on middle board (2)
2. Insert 2 screws (M) through holes on adjustable anchor brackets (K), then tighten to middle board (2).

STEP 4



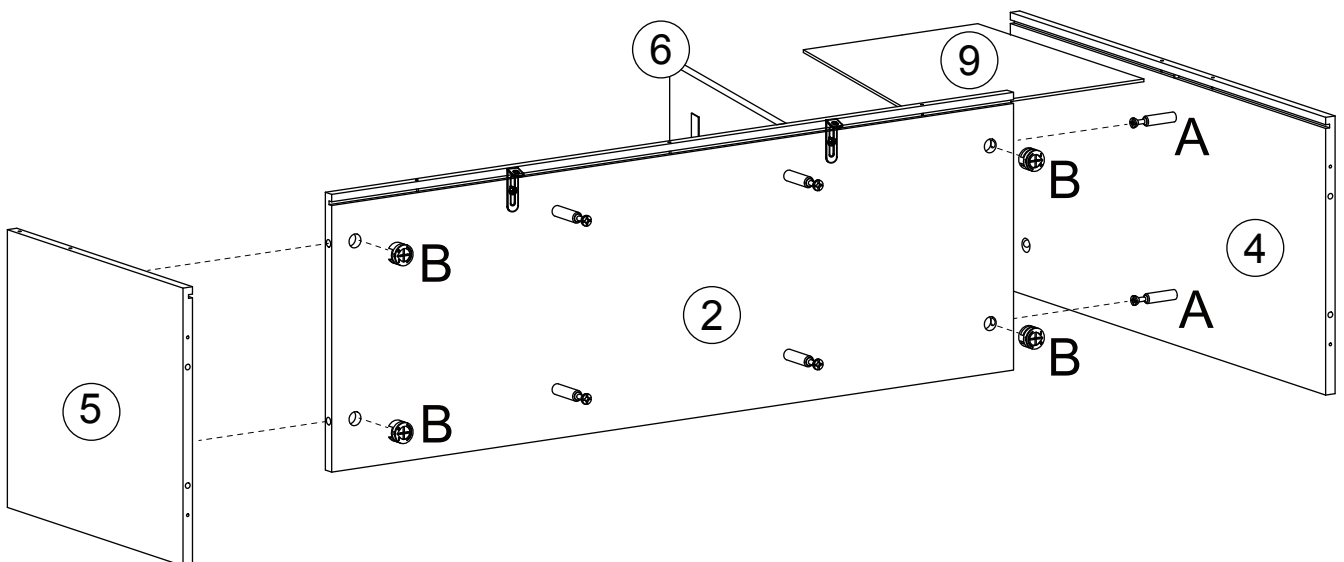
1. Screw 2 cam bolts (A) into cam bolt holes on left side panel (4).
2. Screw 2 cam bolts (A) into cam bolt holes on right side panel (5).

STEP 5



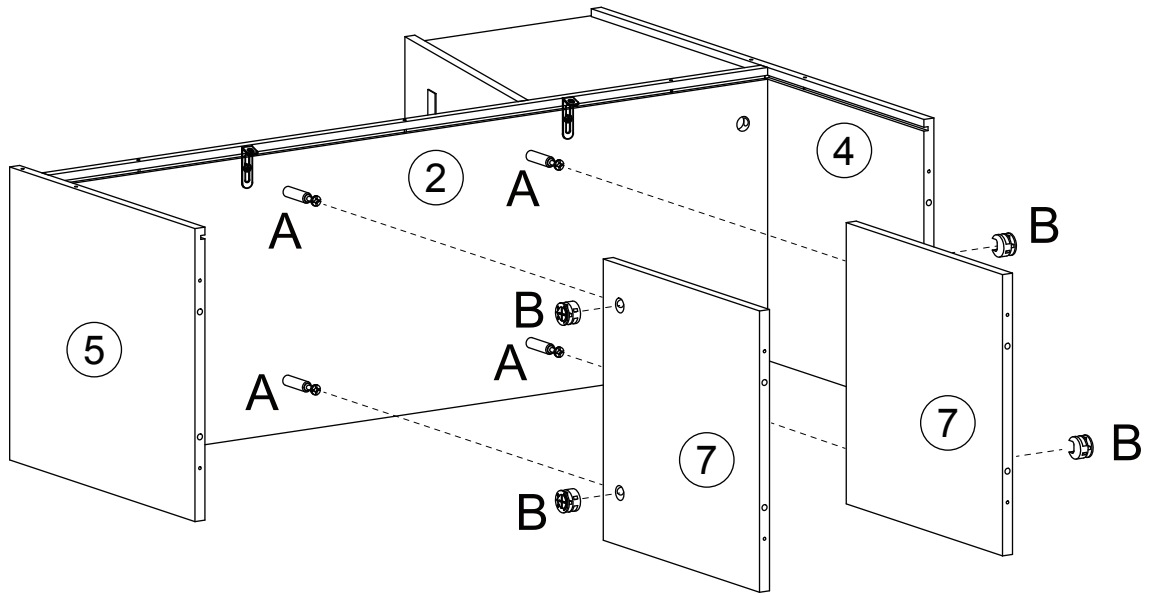
1. Attach upper slant board (6) to middle board (2) by inserting cam bolts (D) into cam lock holes on upper slant board (6).
2. Insert 2 cam locks (B) into cam lock holes on upper slant board (6), then rotate clockwise to secure cam bolts (D) in place.

STEP 6



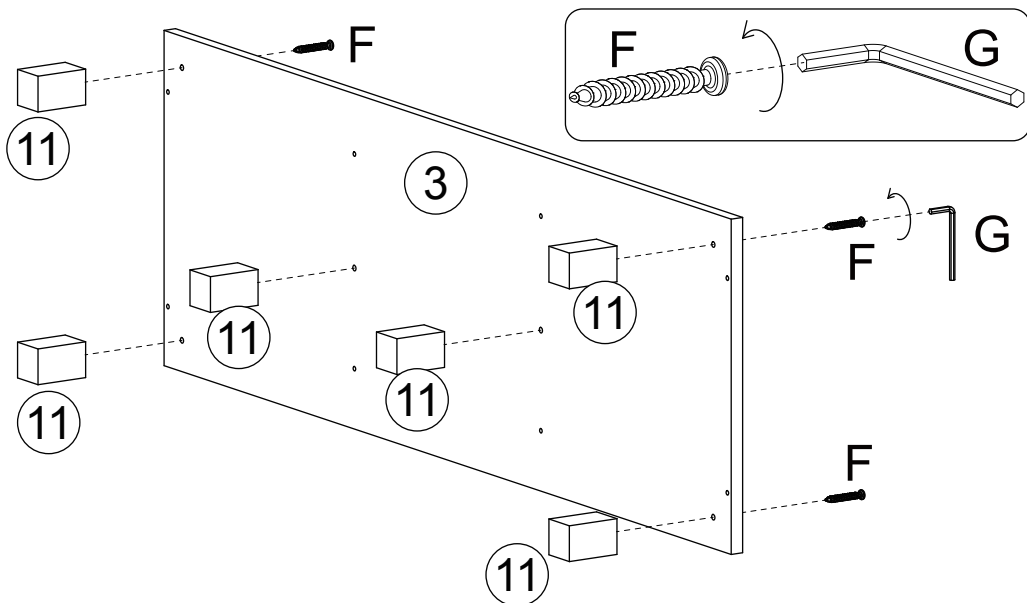
1. Attach right side panel (5) to middle board (2) by inserting cam bolts (A) into cam lock holes on middle board (2).
2. Insert 2 cam locks (B) into cam lock holes on middle board (2), then rotate clockwise to secure cam bolts (A) in place.
3. Slide upper back board (9) into grooves on middle board (2) and upper slant board (6).
4. Attach left side panel (4) to middle board (2) by inserting cam bolts (A) into cam lock holes on middle board (2). Make sure that back board (9) slides into groove on left side panel (4).
5. Insert 2 cam locks (B) into cam lock holes on middle board (2), then rotate clockwise to secure cam bolts (A) in place.

STEP 7



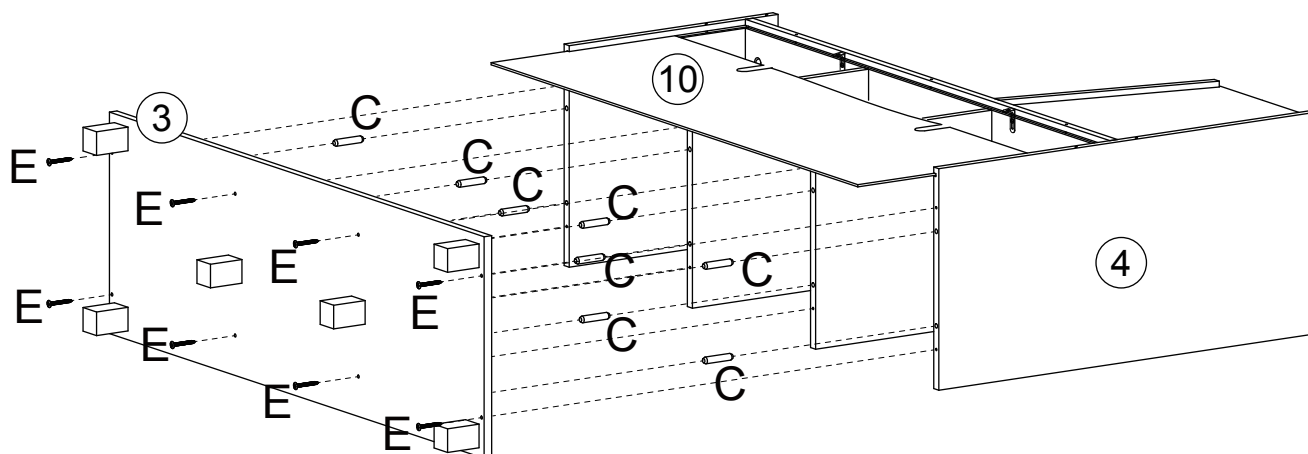
1. Attach 2 divider boards (7) to middle board (2) by inserting cam bolts (A) into cam lock holes on divider boards (7).
2. Insert 4 cam locks (B) into cam lock holes on divider boards (7), then rotate clockwise to secure cam bolts (A) in place.

STEP 8



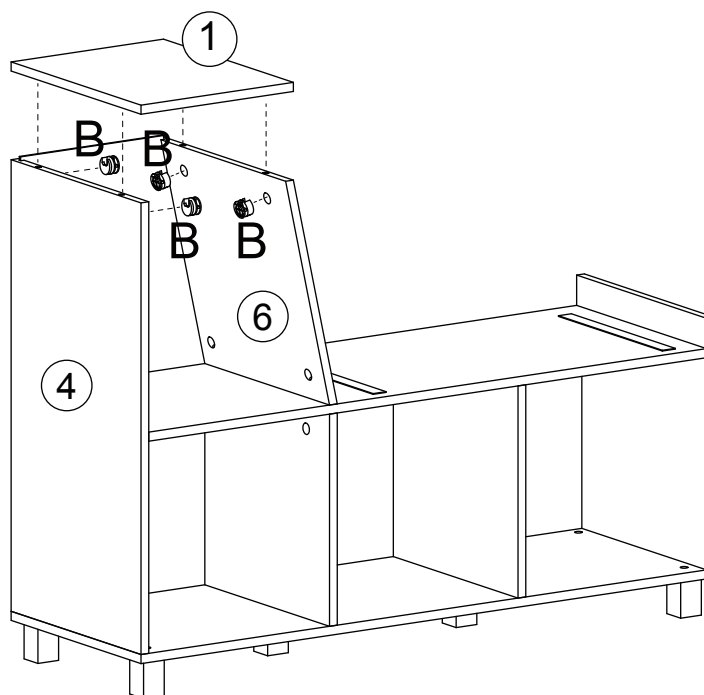
1. Attach 6 wood legs (11) to bottom board (3) by inserting 6 screws (F) through holes on bottom board (3), then tighten to wood legs (11) with Allen wrench (G).

STEP 9



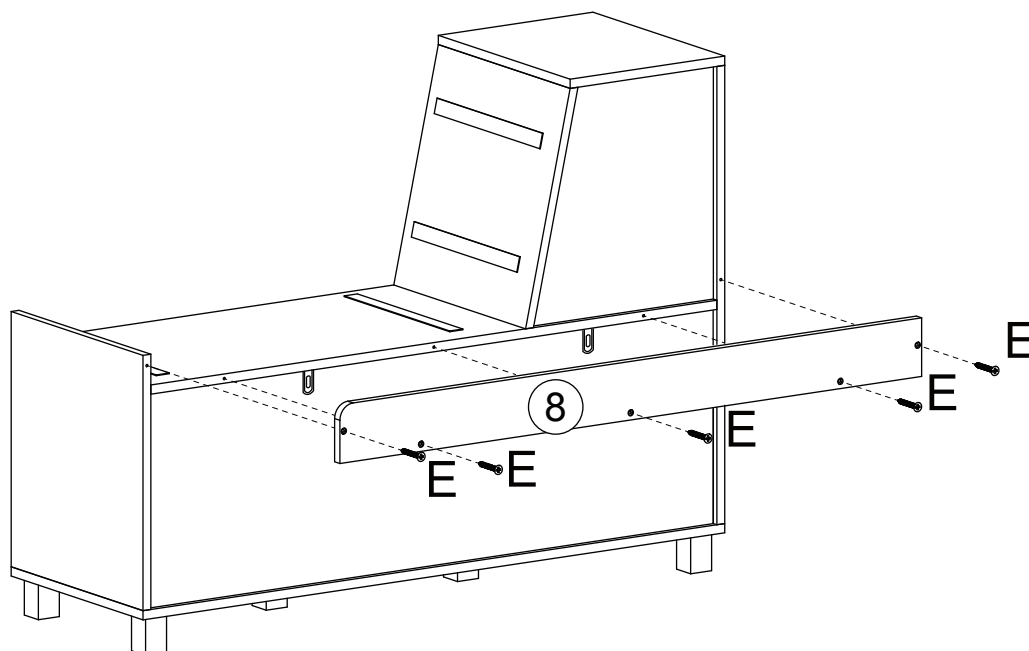
1. Slide lower back board (10) into grooves on left side panel (4), right side panel (5) and middle board (2).
2. Insert 8 wood dowels (C) into wood dowel holes on bottom board (3).
3. Attach bottom board (3) to left side panel (4), right side panel (5), divider boards (7) and lower back board (10) by inserting wood dowels (C) into wood dowel holes on left side panel (4), right side panel (5) and divider boards (7). Make sure lower back board (10) slides into groove on bottom board (3).
4. Insert 8 screws (E) through holes on bottom board (3) then tighten to left side panel (4), right side panel (5) and divider boards (7).

STEP 10



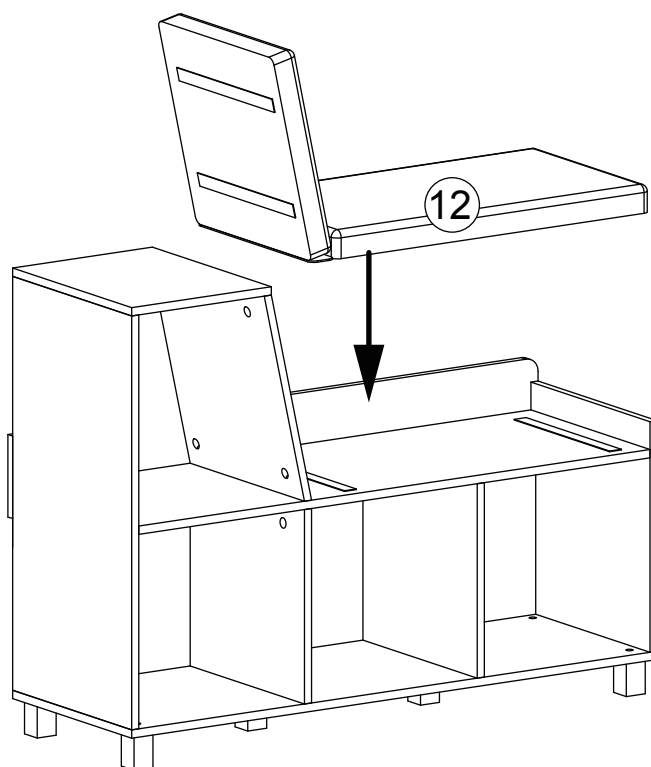
1. Attach top board (1) to pre-assembled unit by inserting cam bolts (A, D) into cam lock holes on left side panel (4) and upper slant board (6).
2. Insert 4 cam locks (B) into cam lock holes on left side panel (4) and upper slant board (6), then rotate clockwise to secure cam bolts (A, D) in place.

STEP 11



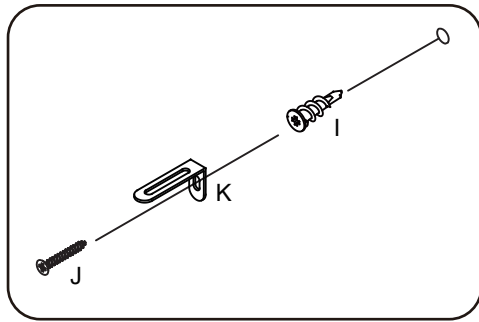
1. Attach back cross bar (8) to back of pre-assembled bench by inserting 5 screws (E) through holes on back cross bar (8), then tighten to back of bench.

STEP 12

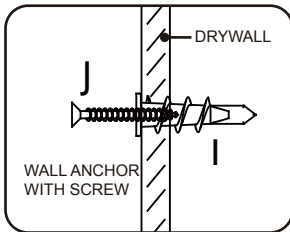


1. Place cushion (12) on bench as shown.

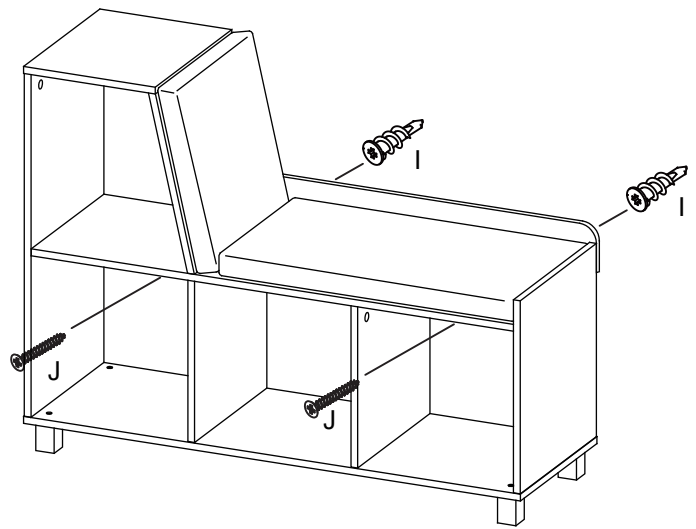
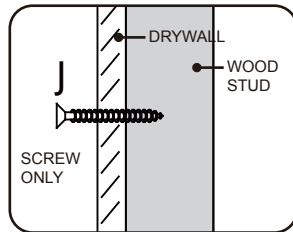
STEP 13



OPTION #1



OPTION #2



Option #1: Securing to Drywall

1. Position bench against wall in desired location. Using a pencil, make 2 small marks on wall through holes on brackets (K). Move bench away from wall and screw 2 plastic anchors (I) into wall on pencil marks.
2. Place bench against wall, insert 2 screws (J) through holes on brackets (K), then tighten to plastic anchors (I).

Option #2: Securing to Drywall and Wood Stud

1. Position cabinet against wall in desired location. Insert 2 screws (J) through holes on brackets (K), then tighten through drywall and into wood stud.

*Tip: Anchor brackets (K) can be adjusted to correct distance from wall to cabinet as needed. Once adjusted, be sure to re-tighten brackets inside cabinet for stability.

ATTENTION ADULTS: Cabinet should be checked periodically for damage or loose screws/parts. Take appropriate action necessary to correct hazards such as tightening of screws and taking any damaged parts away from children.

WARNING  Please make sure your item is secured to the wall, per assembly instructions.

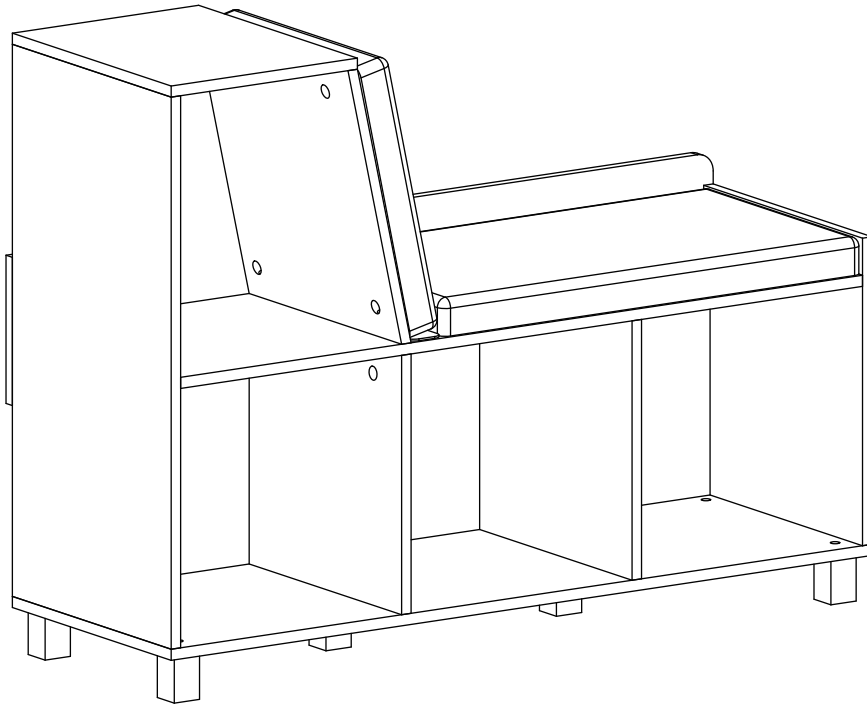
CARE INSTRUCTIONS:

Wipe clean with a water dampened cloth. Wipe dry with clean cloth.

IMPORTANT:

Keep assembly instructions for future reference.

Enjoy Your New RiverRidge® Storage Bench!



Thank you for purchasing this RiverRidge® Home item. We hope you enjoy it and consider purchasing other RiverRidge® items.

To order replacement parts at no cost to you, email customer.service@ssi-rr.com, call 1-(844)-223-5201 or order parts online at www.riverridgehome.com. Only valid in the United States. If purchased outside of the United States, please contact retailer where purchased.

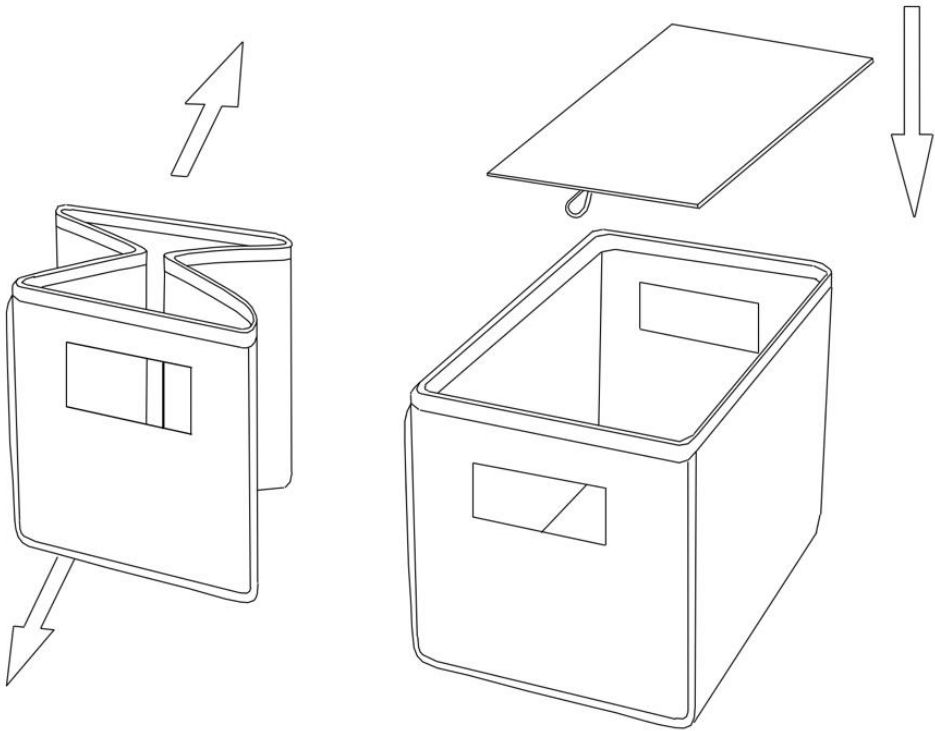


RiverRidge® is a registered trademark of Sourcing Solutions, Inc., Hudson, WI 54016

Distributed by:
Sourcing Solutions, Inc.
Hudson, WI 54016
Made in China

RiverRidge® Kids Two-Piece Folding Storage Bin

ADULT ASSEMBLY REQUIRED



Thank you for purchasing this RiverRidge® Home item. We hope you enjoy it and consider purchasing other RiverRidge® items.

To order replacement parts at no cost to you, email customer.service@ssi-rr.com, call 1-(844)-223-5201 or order parts online at www.riverridgehome.com. Only valid in the United States. For purchases outside of the United States, please contact retailer where purchased.



RiverRidge® is a registered trademark of Sourcing Solutions, Inc., Hudson, WI 54016