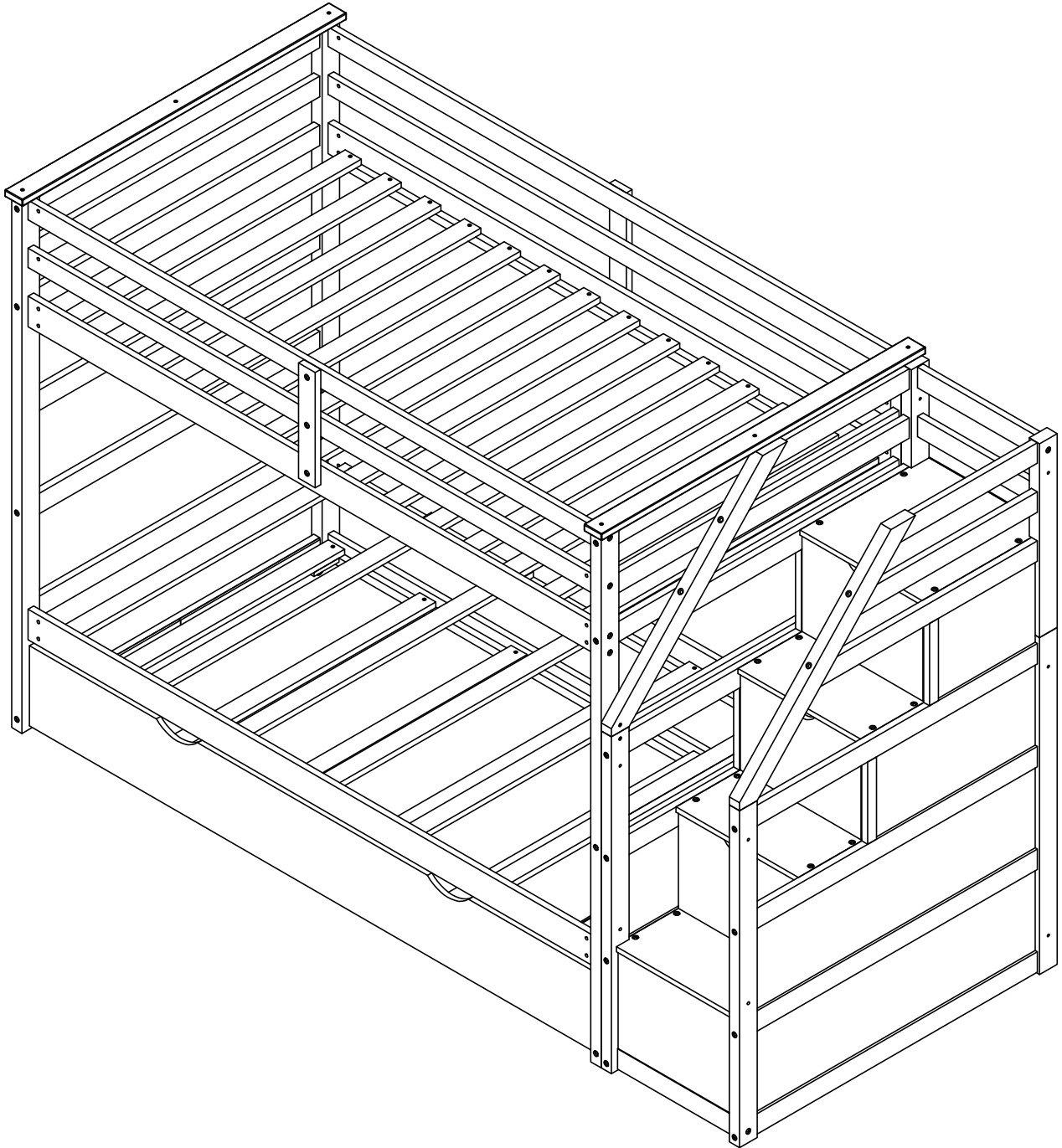


# ASSEMBLY INSTRUCTION

SKU CODE: (WF286865-WF286866-WF286867)

**This set is included 3 boxes if don't receive full 3 boxes please contact our customer service team**



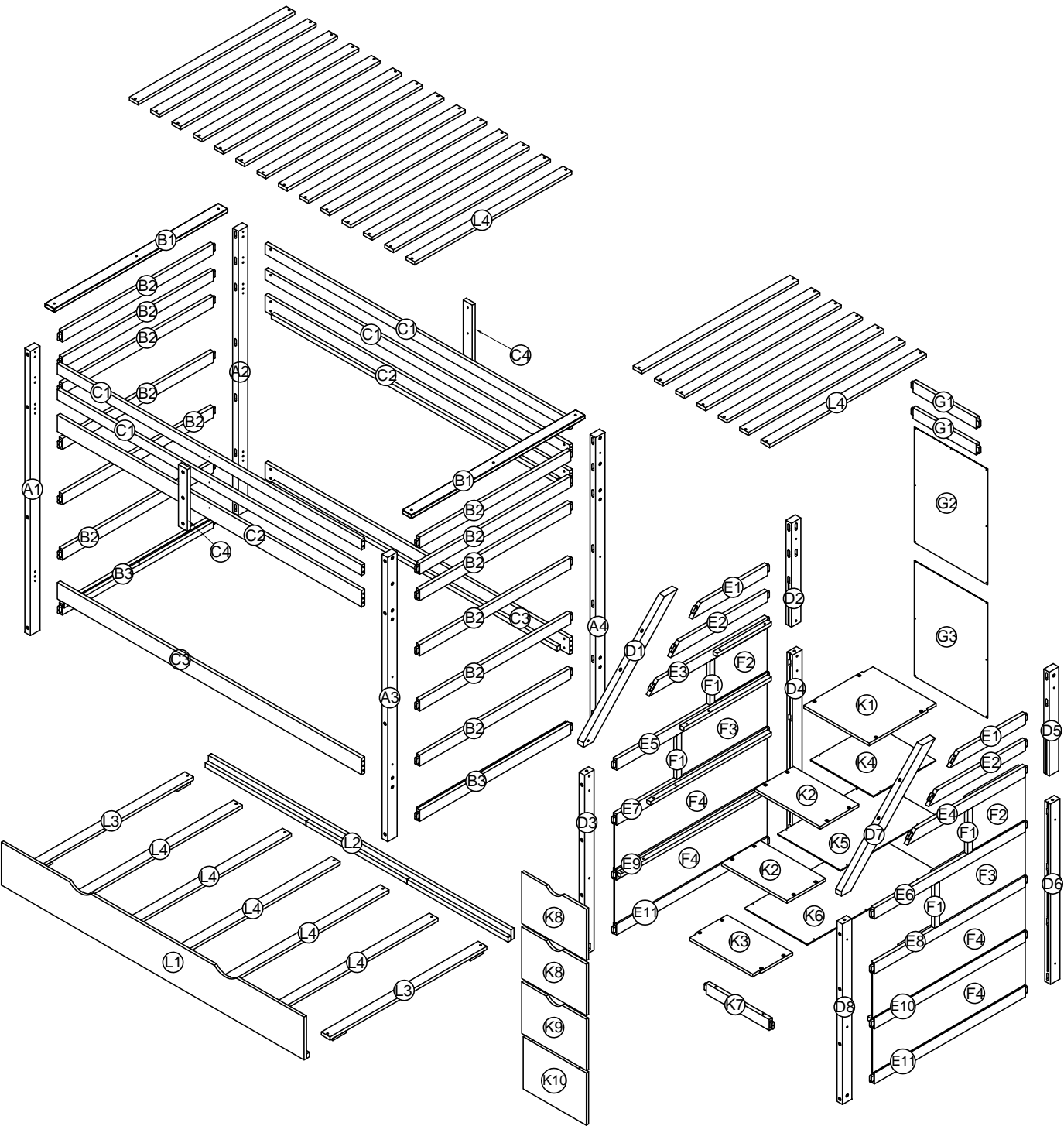
# **! SAFETY WARNINGS !**

1. This bed is designed for use only mattress(es) meeting the following specifications on the upper bunk, and lower bunk:

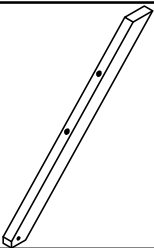
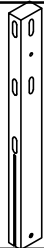


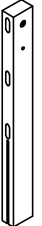

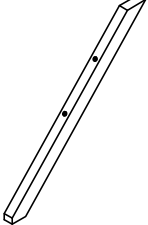

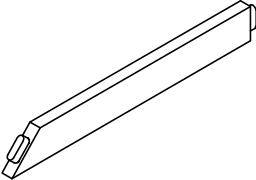

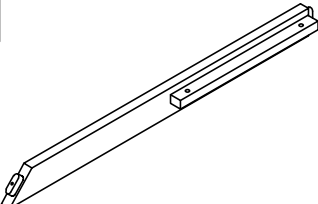

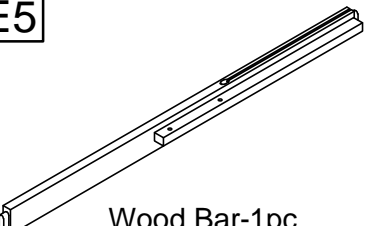
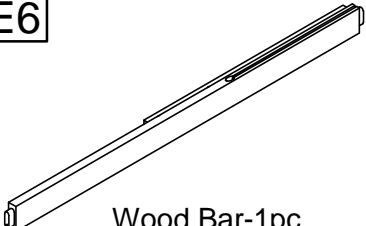



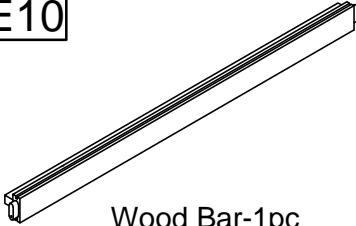
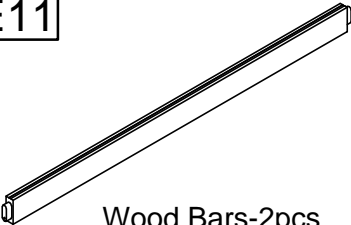

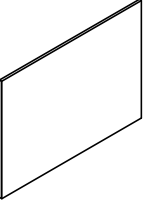
<b>Bed Type</b>	<b>Length</b>	<b>Width</b>	<b>Thickness</b>
<i>Twin Standard</i>	<i>74" - 75"</i>	<i>38 1/2"</i>	<i>8" max</i>

2. Replacement parts, including additional guardrails, may be obtained from any of our (GIGACLOUD TECHNOLOGY(USA) INC) dealers
3. Follow the information on the warnings appearing on the upper bunk bed end structure and on the carton. Do not remove warning label from bed.
4. Always use the recommended size mattresses or mattress supports, or both, to help prevent the likelihood of entrapment or falls.
5. Surface of the mattress must be at least 5" (127 mm) below the upper edge of guardrails.
6. Do not allow children under 6 years of age to use the upper bunk.
7. Periodically check and ensure that the guardrail, ladder, and other components are in their proper position, free from damage, and that all connectors are tight.
8. Do not allow horseplay on or under the bed and prohibit jumping on the bed
9. Always use the ladder for entering and leaving the upper bunk.
10. Do not use substitute parts. Contact the manufacturer or dealer for replacement parts.
11. Use of a night light may provided added safety precaution for a child using the upper bunk.
12. Always use guardrails on both long sides of the upper bunk. If the bunk bed will be placed next to the wall, the guardrail that runs the full length of the bed should be placed against the wall to prevent entrapment between the bed and wall.
13. The use of water or sleep flotation mattresses is prohibited.
14. STRANGULATION HAZARD – Never attach or hang items to any part of the bunk bed that are not designed for use with the bed; for example, but not limited to, hook, belts and jump ropes.
15. Keep these instructions for future reference

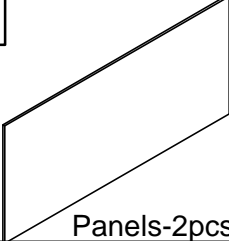
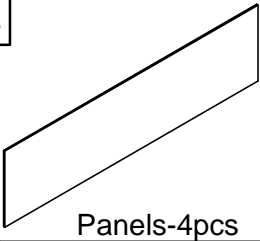
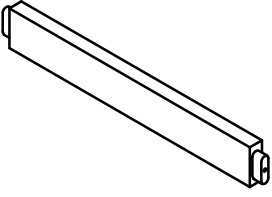
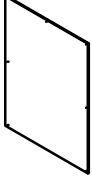
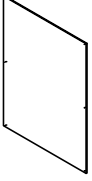
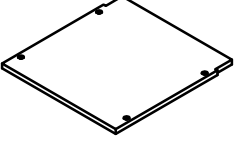
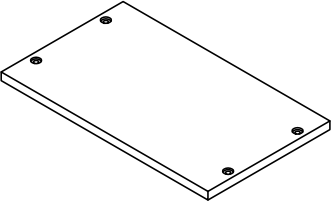
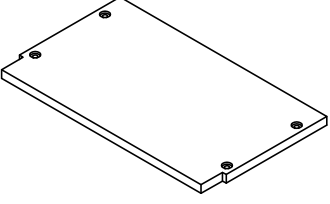
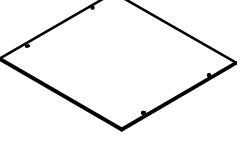
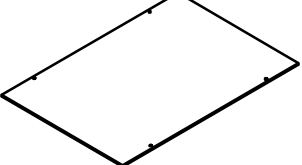
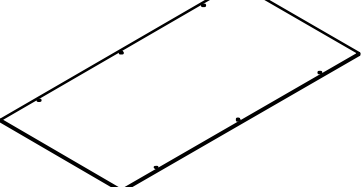
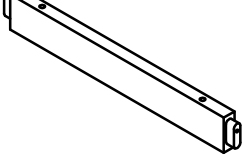
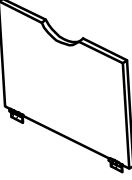
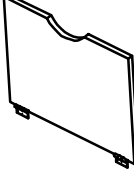
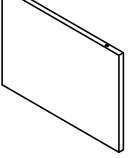
# ASSEMBLY INSTRUCTION







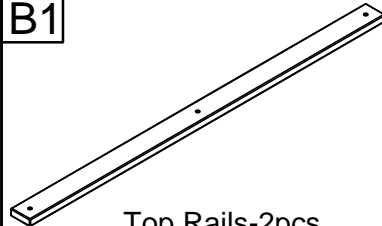
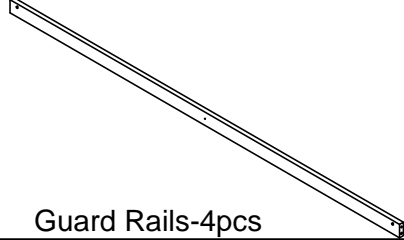
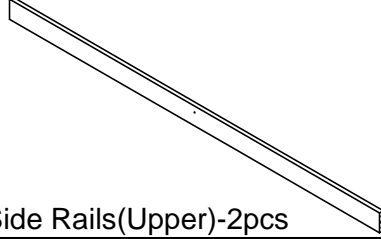
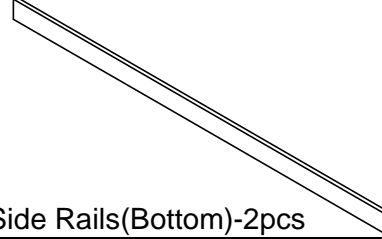

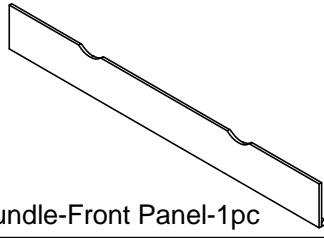
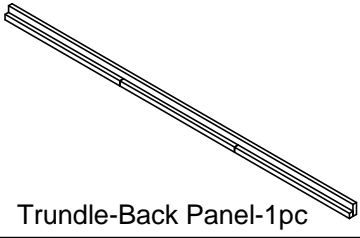
# Part List & Hardware List (Box 1-WF286865)

<p><b>D1</b></p>  <p>Leg-1pc</p>	<p><b>D2</b></p>  <p>Leg-1pc</p>	<p><b>D3</b></p>  <p>Leg-1pc</p>
<p><b>D4</b></p>  <p>Leg-1pc</p>	<p><b>D5</b></p>  <p>Leg-1pc</p>	<p><b>D6</b></p>  <p>Leg-1pc</p>
<p><b>D7</b></p>  <p>Leg-1pc</p>	<p><b>D8</b></p>  <p>Leg-1pc</p>	<p><b>E1</b></p>  <p>Wood Bars-2pcs</p>
<p><b>E2</b></p>  <p>Wood Bars-2pcs</p>	<p><b>E3</b></p>  <p>Wood Bar-1pc</p>	<p><b>E4</b></p>  <p>Wood Bar-1pc</p>
<p><b>E5</b></p>  <p>Wood Bar-1pc</p>	<p><b>E6</b></p>  <p>Wood Bar-1pc</p>	<p><b>E7</b></p>  <p>Wood Bar-1pc</p>
<p><b>E8</b></p>  <p>Wood Bar-1pc</p>	<p><b>E9</b></p>  <p>Wood Bar-1pc</p>	<p><b>E10</b></p>  <p>Wood Bar-1pc</p>
<p><b>E11</b></p>  <p>Wood Bars-2pcs</p>	<p><b>F1</b></p>  <p>Horizontal bar - 4Pcs</p>	<p><b>F2</b></p>  <p>Panels-2pcs</p>

# Part List & Hardware List (Box 1-WF286865)

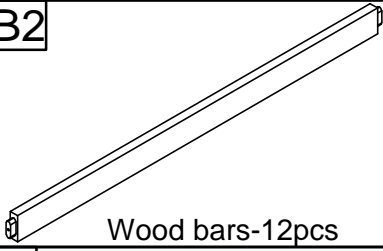
<p><b>F3</b></p>  <p>Panels-2pcs</p>	<p><b>F4</b></p>  <p>Panels-4pcs</p>	<p><b>G1</b></p>  <p>Horizontal bar - 2Pcs</p>
<p><b>G2</b></p>  <p>Back panel - 1Pcs</p>	<p><b>G3</b></p>  <p>Back panel - 1Pcs</p>	<p><b>K1</b></p>  <p>Top panel - 1pc</p>
<p><b>K2</b></p>  <p>Top panels - 2pcs</p>	<p><b>K3</b></p>  <p>Top panel - 1pc</p>	<p><b>K4</b></p>  <p>Top panel - 1pc</p>
<p><b>K5</b></p>  <p>Top panel - 1pc</p>	<p><b>K6</b></p>  <p>Top panel - 1pc</p>	<p><b>K7</b></p>  <p>Horizontal bar - 1Pcs</p>
<p><b>K8</b></p>  <p>Front panels-2pcs</p>	<p><b>K9</b></p>  <p>Front panel-1pc</p>	<p><b>K10</b></p>  <p>Front panel-1pc</p>

# Part List(Box 2-WF286866)

<p><b>A1</b></p>  <p>Leg(Front-Left)-1pc</p>	<p><b>A2</b></p>  <p>Leg(Back-Left)-1pc</p>	<p><b>A3</b></p>  <p>Leg(Front-Right)-1pc</p>
<p><b>A4</b></p>  <p>Leg(Back-Right)-1pc</p>	<p><b>B1</b></p>  <p>Top Rails-2pcs</p>	<p><b>C1</b></p>  <p>Guard Rails-4pcs</p>
<p><b>C2</b></p>  <p>Side Rails(Upper)-2pcs</p>	<p><b>C3</b></p>  <p>Side Rails(Bottom)-2pcs</p>	<p><b>C4</b></p>  <p>Support Side Rails-2pcs</p>
<p><b>L1</b></p>  <p>Trundle-Front Panel-1pc</p>	<p><b>L2</b></p>  <p>Trundle-Back Panel-1pc</p>	

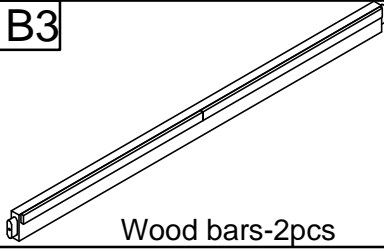
# Part List(Box 3-WF286867)

B2



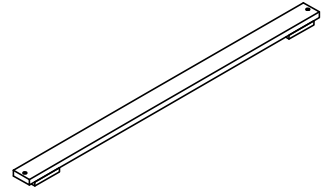
Wood bars-12pcs

B3



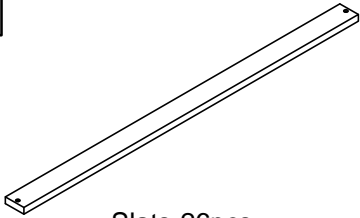
Wood bars-2pcs

L3



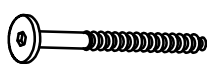

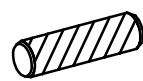

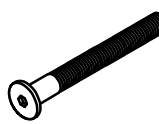


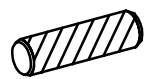
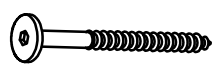
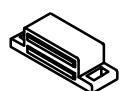
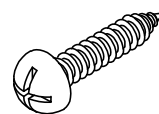

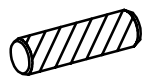




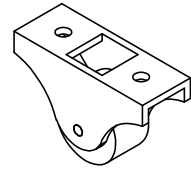


Slats-2pcs

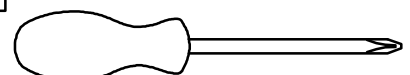
L4



Slats-26pcs

# Hardware List(Box 1-WF286865)

<p>1</p>  <p>Screws 1/4" x80 42pcs</p>	<p>2</p>  <p>M4 x 30 mm Wood Screws 70pcs</p>	<p>3</p>  <p>Ø10 x 40 mm Wood dowel 16pcs</p>
<p>4</p>  <p>Ø1/4" x 13 mm Horizontal-Hole bolts 24pcs</p>	<p>5</p>  <p>Ø1/4" x 80 mm Hex-Head bolts 24pcs</p>	<p>6</p>  <p>Ø1/4" x 15 mm Canopy head though -6cs</p>
<p>7</p>  <p>Allen Key 1pc</p>	<p>8</p>  <p>Ø12 x 70 mm Wood dowel 4pcs</p>	<p>9</p>  <p>Screws 1/4" x60 4pcs</p>
<p>10</p>  <p>Door Catches(45x17x13) 6pcs</p>	<p>11</p>  <p>Screw M4 x 15 mm 12pcs</p>	<p>12</p>  <p>Screw M3 x 12 mm 18pcs</p>
<p>13</p>  <p>Ø8 x 30 mm Wood dowel 4pcs</p>	<p>14</p>  <p>Ø1/4" x 30 mm Hex-Head bolts 16pcs</p>	<p>15</p>  <p>M4 x 15 mm Wood Screws 34pcs</p>
<p>16</p>  <p>Pan Head Screw M3 x 15 mm 13pcs</p>	<p>17</p>  <p>Ø1/4" x 45 mm Hex-Head bolts 5pcs</p>	<p>18</p>  <p>Wheels 4pcs</p>
<p>19</p>  <p>Steel Bracket 3pcs</p>	<p>20</p>  <p>Ø1/4" x 25 mm Hex-Head bolts 13pcs</p>	

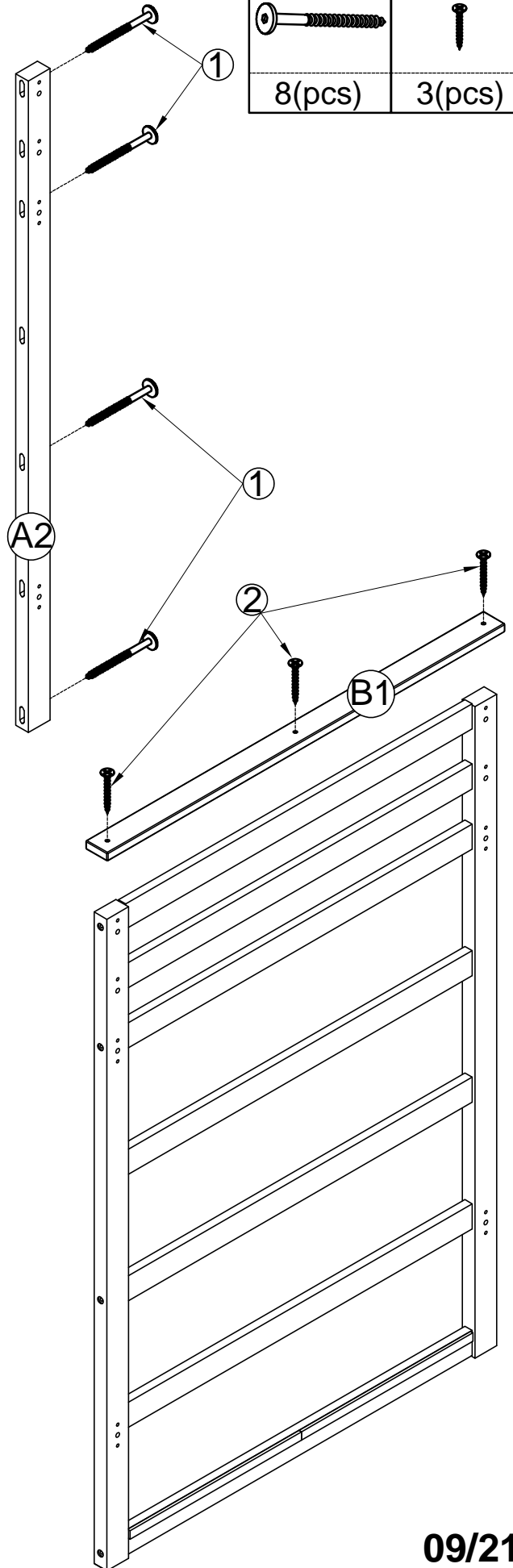
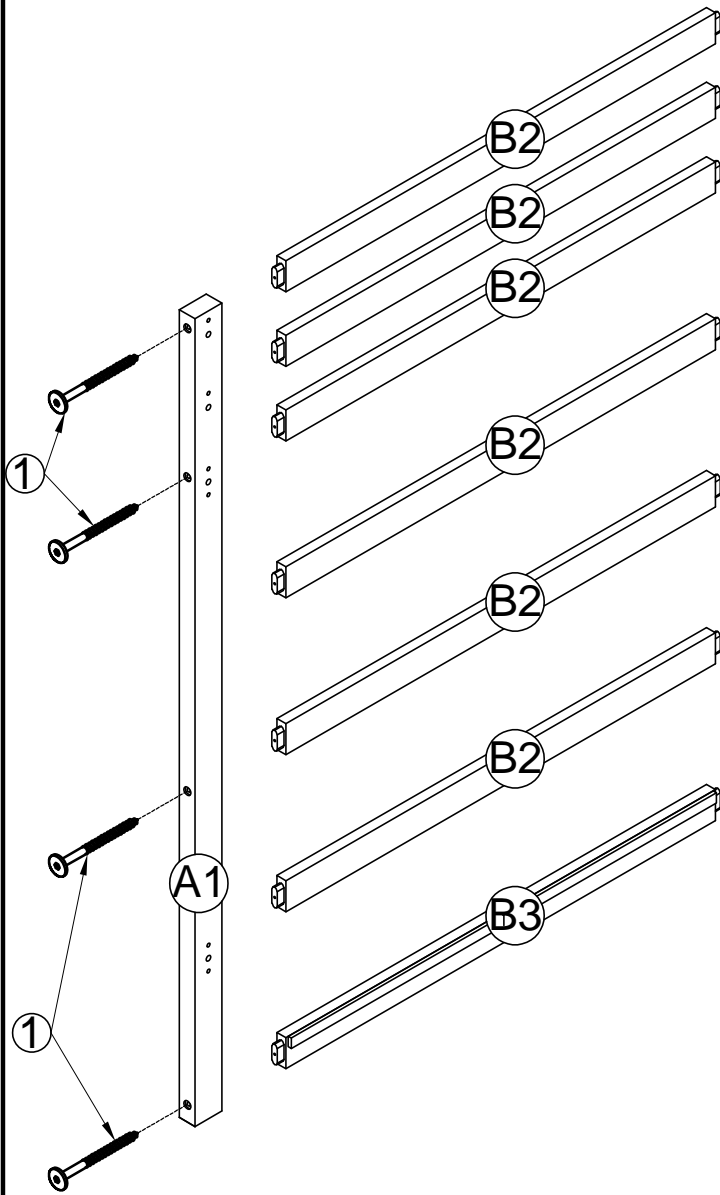




# STEP 1: Following below illustration Assembly Headboard:

-1.1:Using hardware #1 Connect B2(x6) Woodbar with A1,A2 Legs

-1.2:Using hardware #2 Connect Frame(completed on step 1.1) with B1 Woodbar

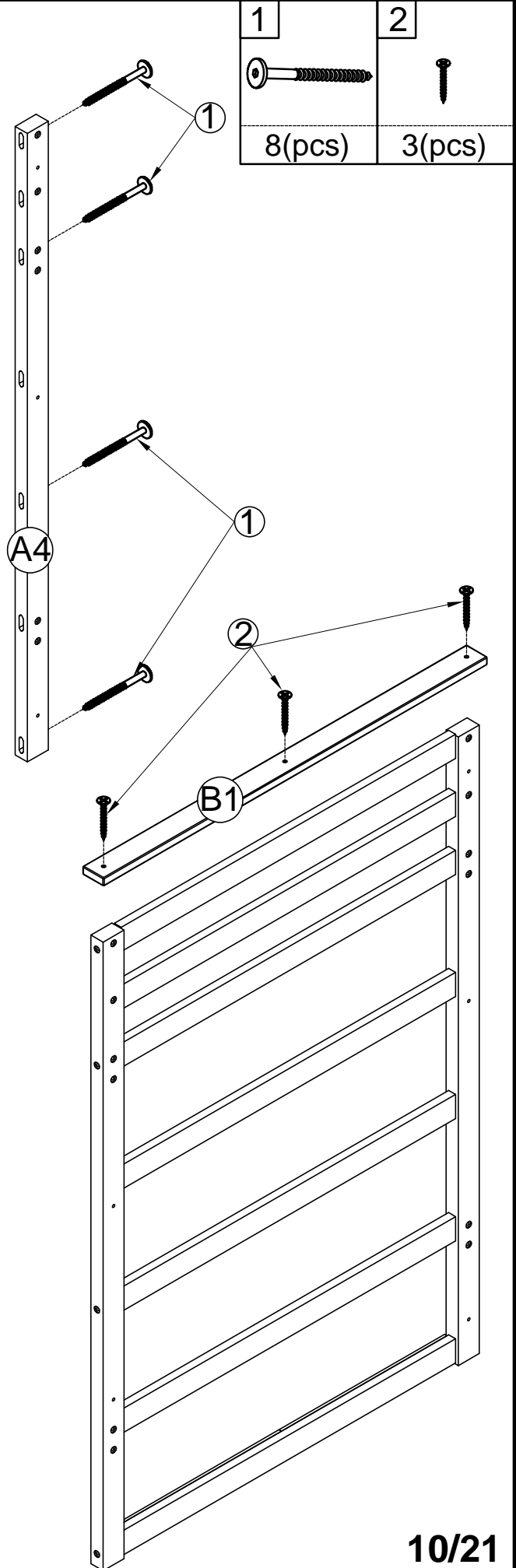
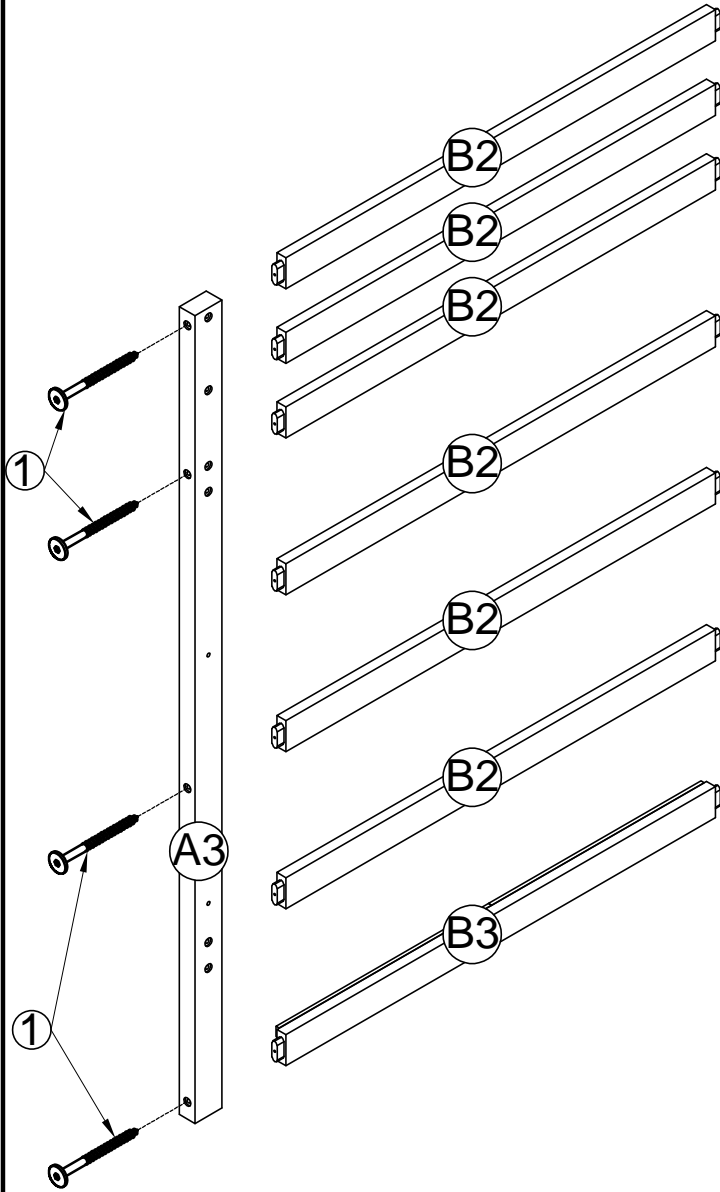


1	2
8(pcs)	3(pcs)

# STEP 2: Following below illustration Assembly Footboard:


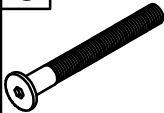

-2.1:Using hardware #1 Connect B2(x6) Woodbar with A3,A4 Legs

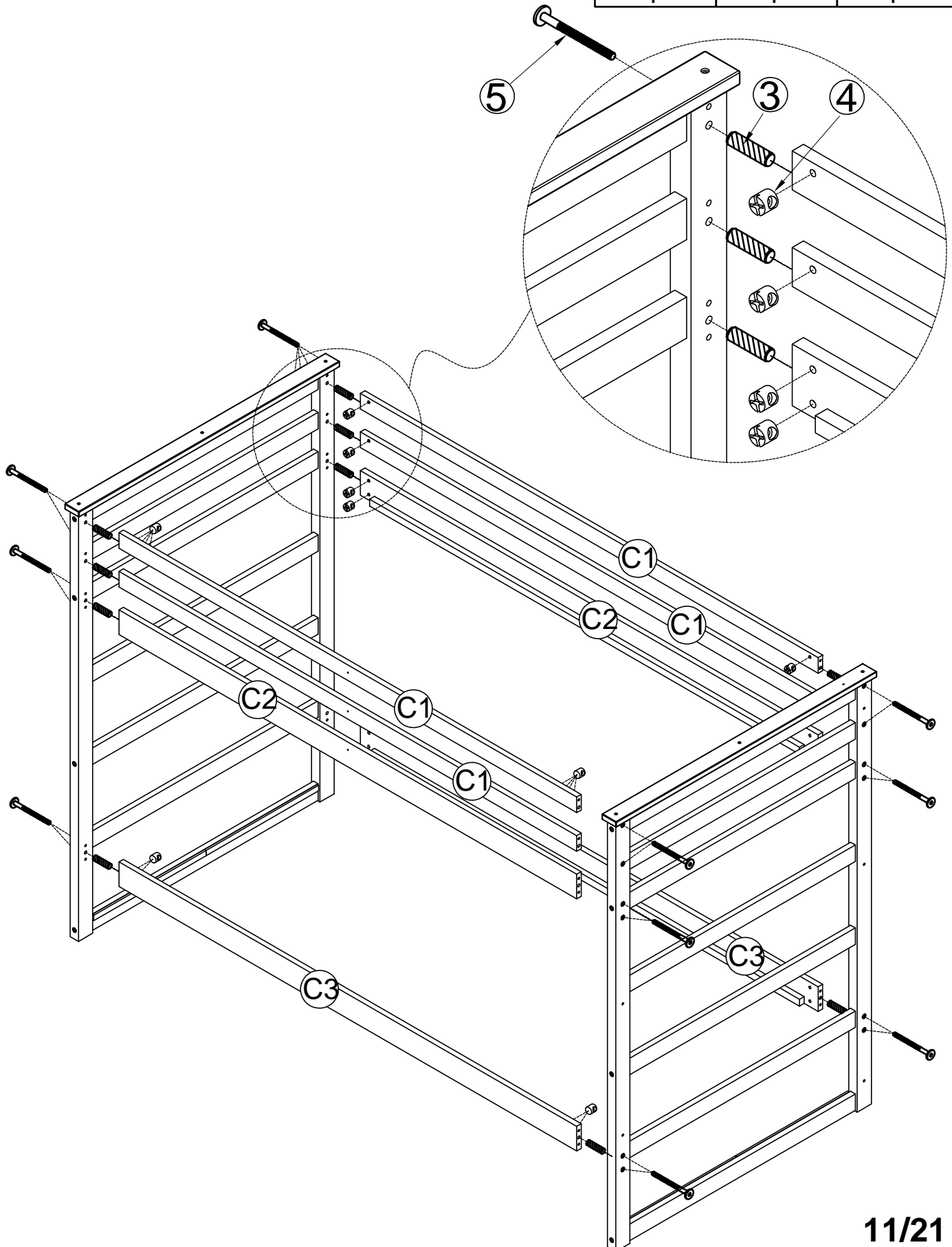
-2.2:Using hardware #2 Connect Frame(completed on step 2.1) with B1 Woodbar



# STEP 3: Following below illustration Assembly Footboard:




-Using hardware #4,#5 and Dowel #3 Connect Frame (completed on step1.2,step 2.2)  
with Guard Rails C1(x4) and Side Rails C2(x2),C3(x2)

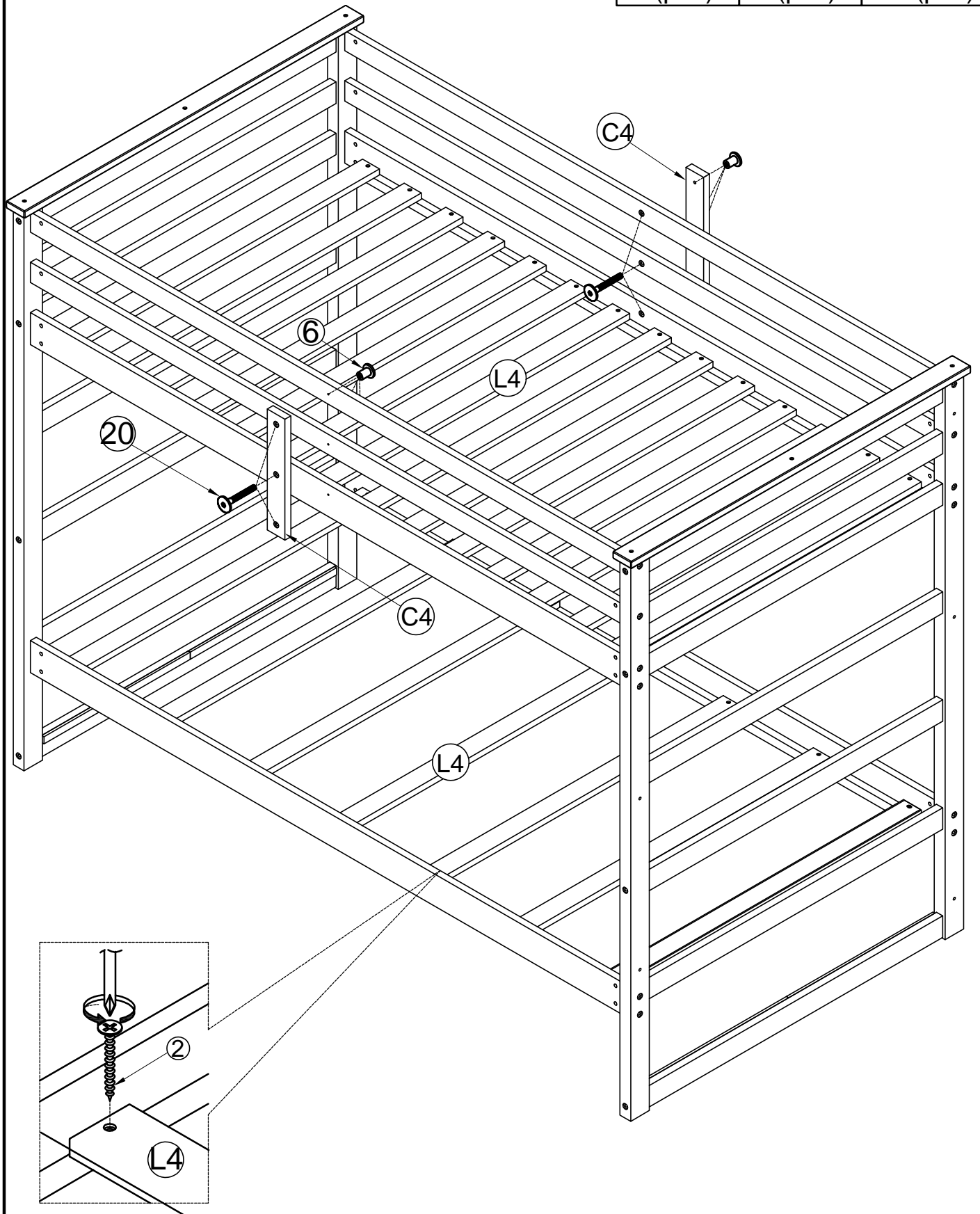
4	5	3
		
24pcs	24pcs	16pcs



# STEP 4: Following below illustration:

- Using hardware #2 to Assembly Slats L4(x21) With Frame (Completed on step 3)
- Using hardware #6,#20 to Assembly Support Side Rails C4(x2) With Frame (Completed on step 3)
- Look at detail view for more detail

20	6	2
		
6(pcs)	6(pcs)	42(pcs)

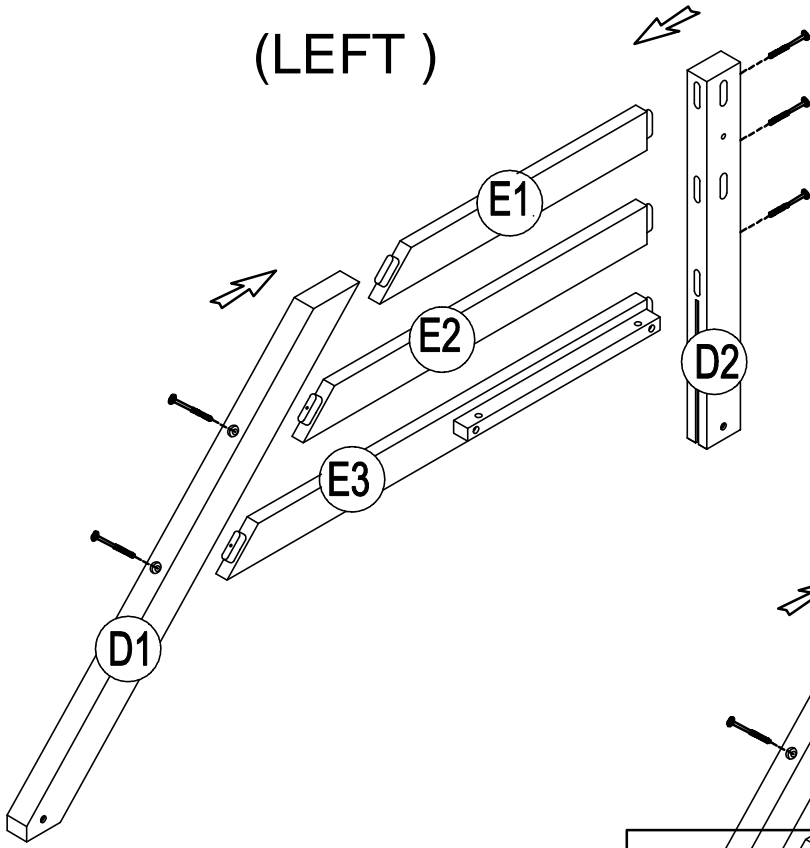


1

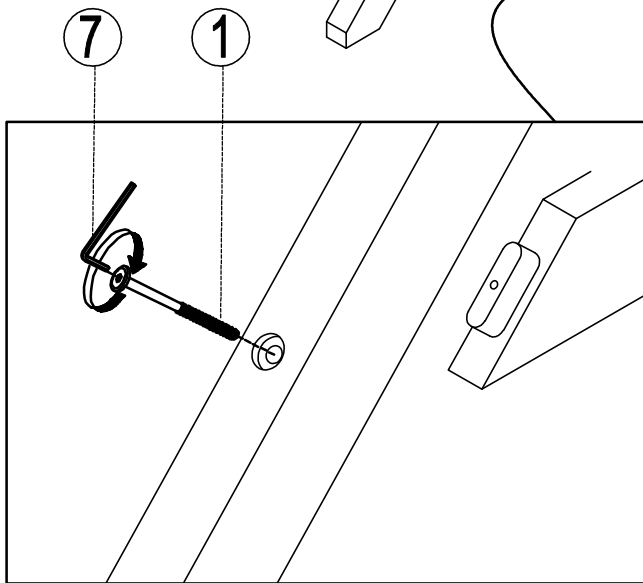
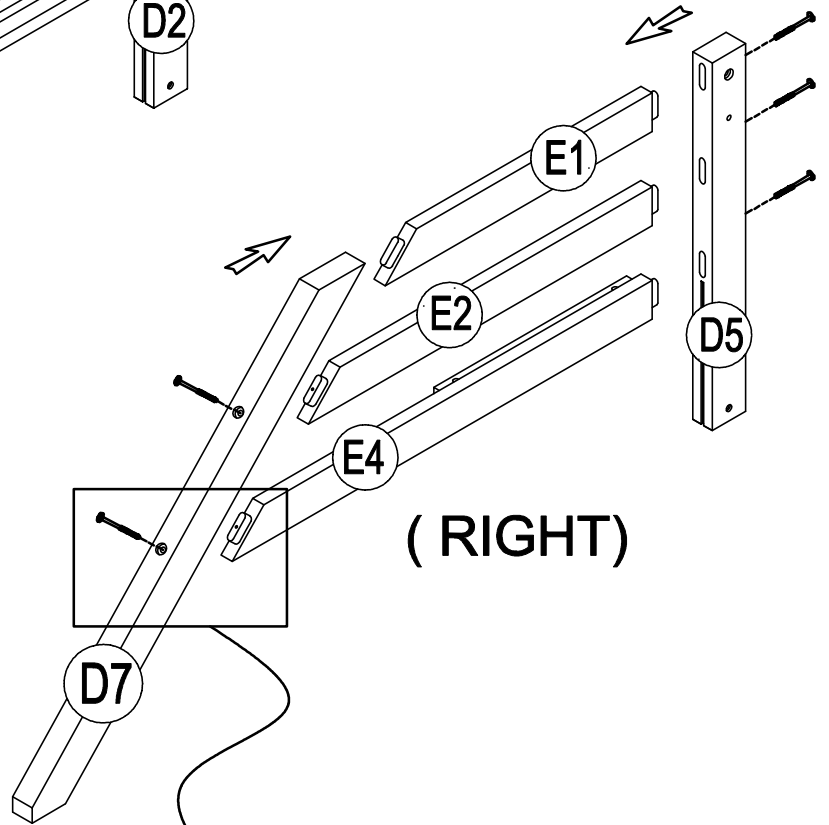
10 PCS

**STEP 5:**

( LEFT )

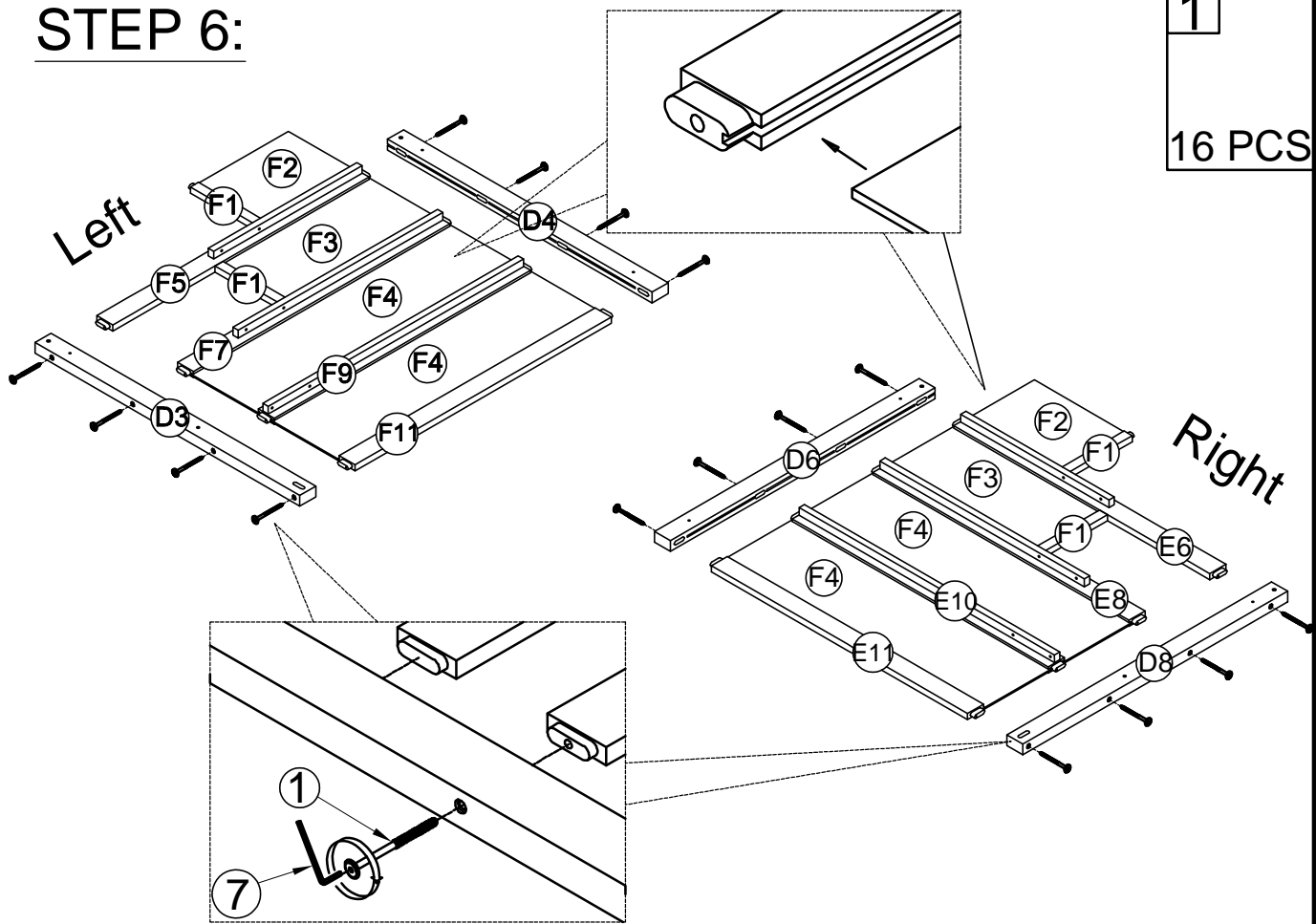


( RIGHT )



# STEP 6:

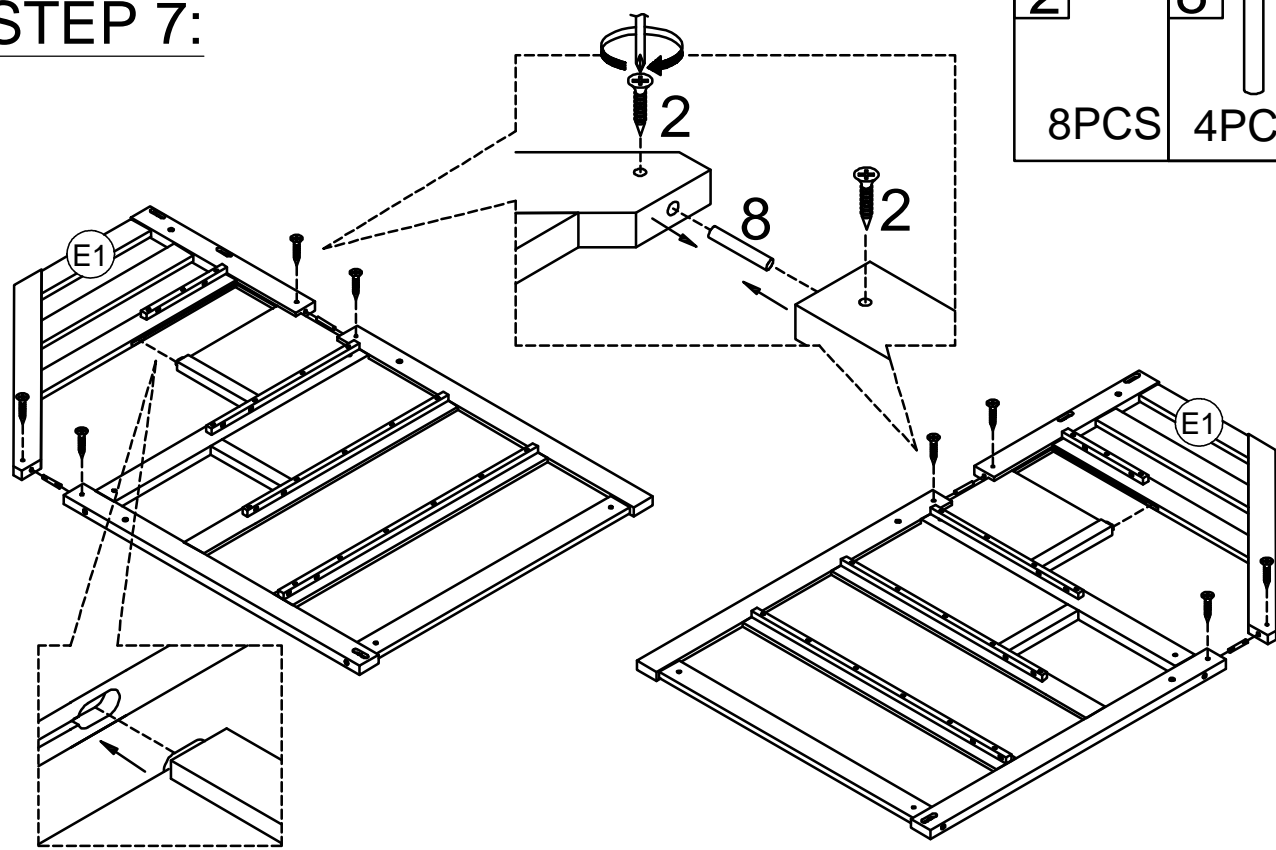
1  
16 PCS



# STEP 7:

2  
8PCS

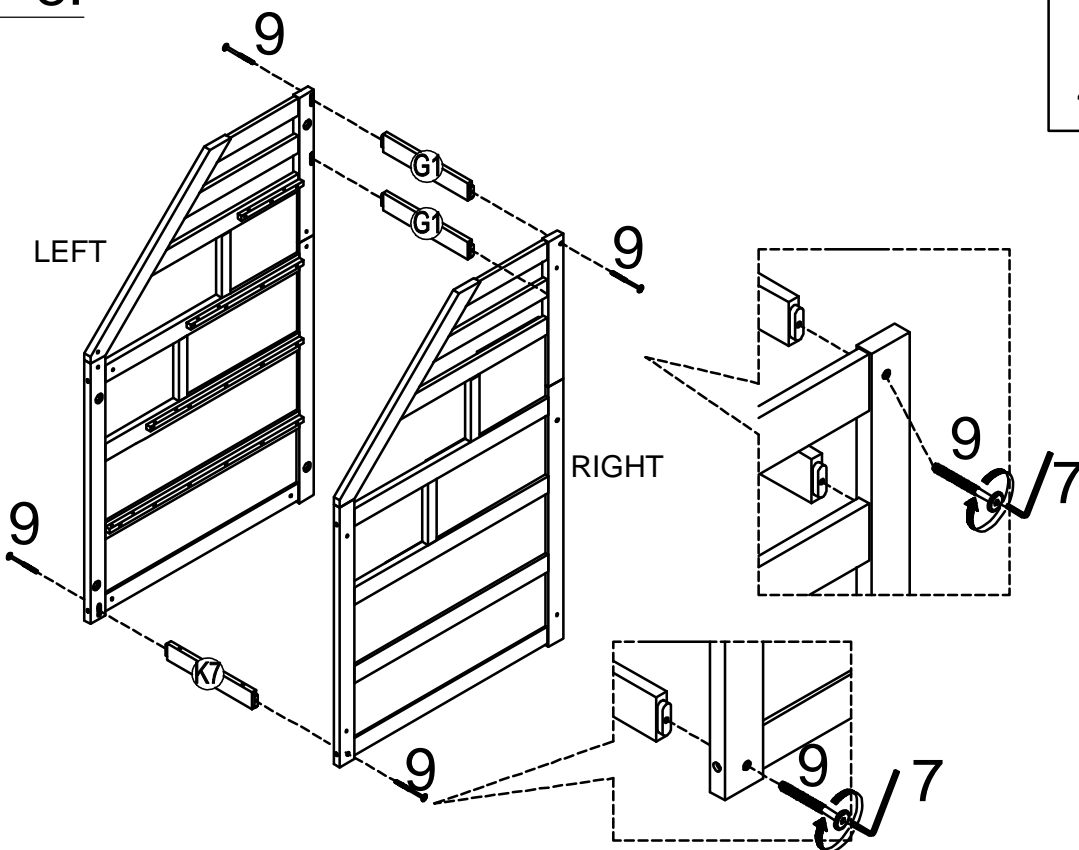
8  
4PCS




# STEP 8:

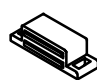
9

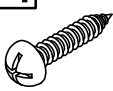
4PCS

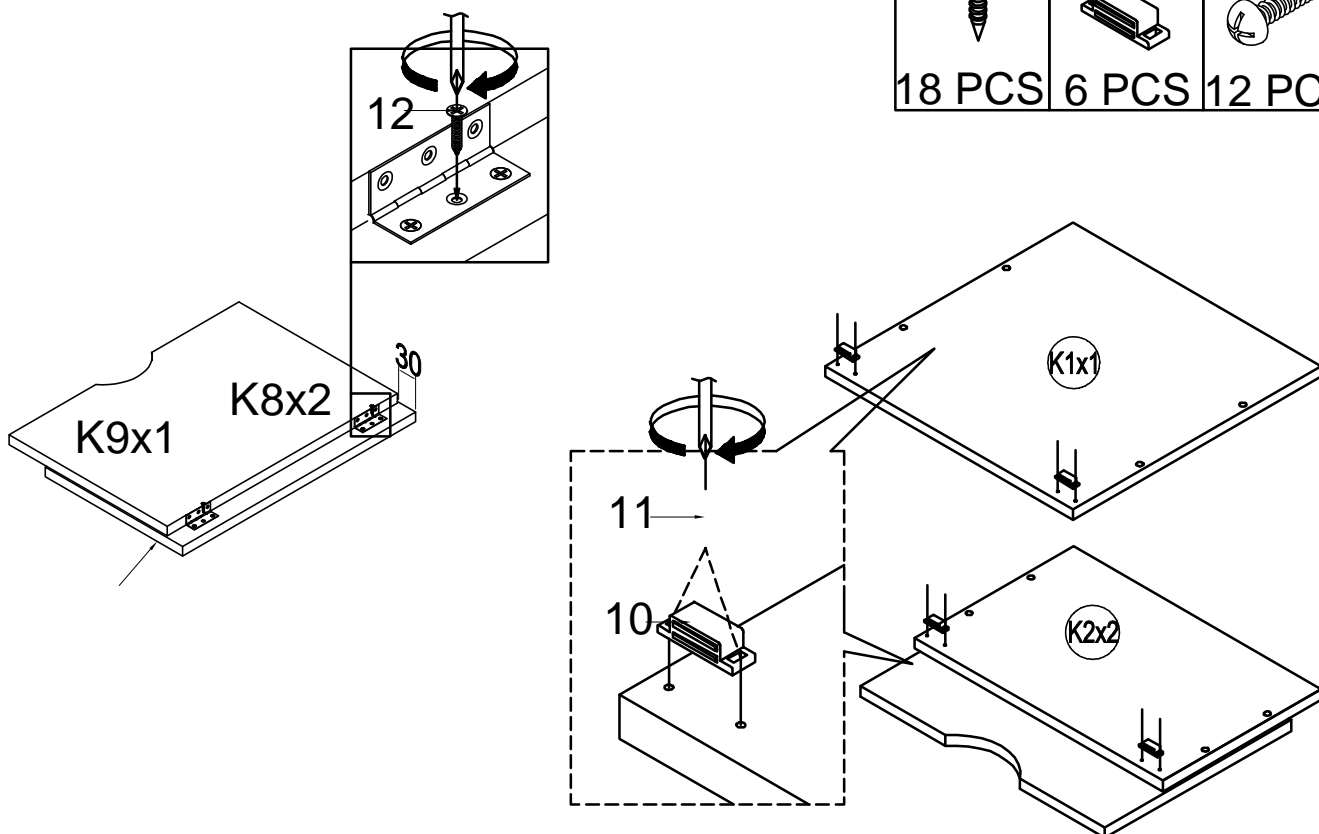


# STEP 9



12   
18 PCS

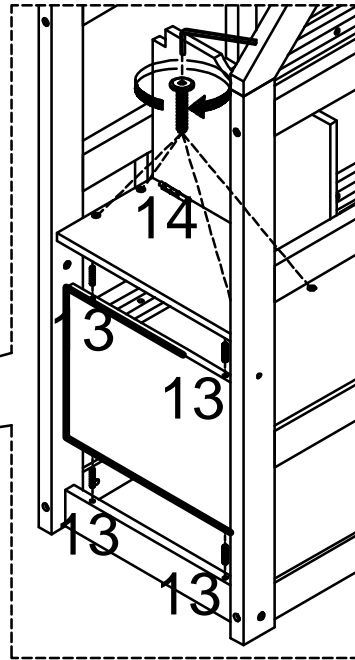
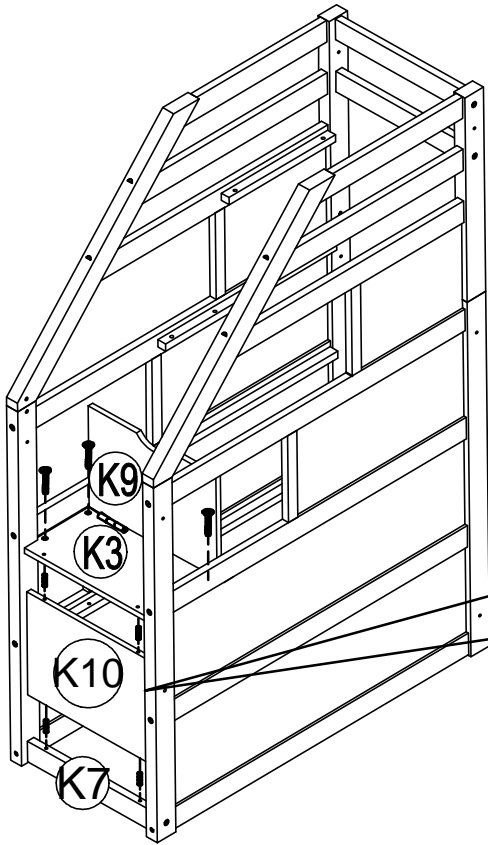
10   
6 PCS

11   
12 PCS




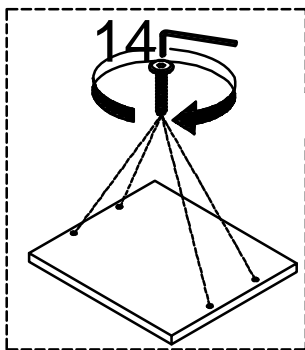
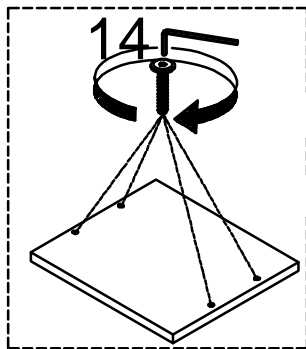
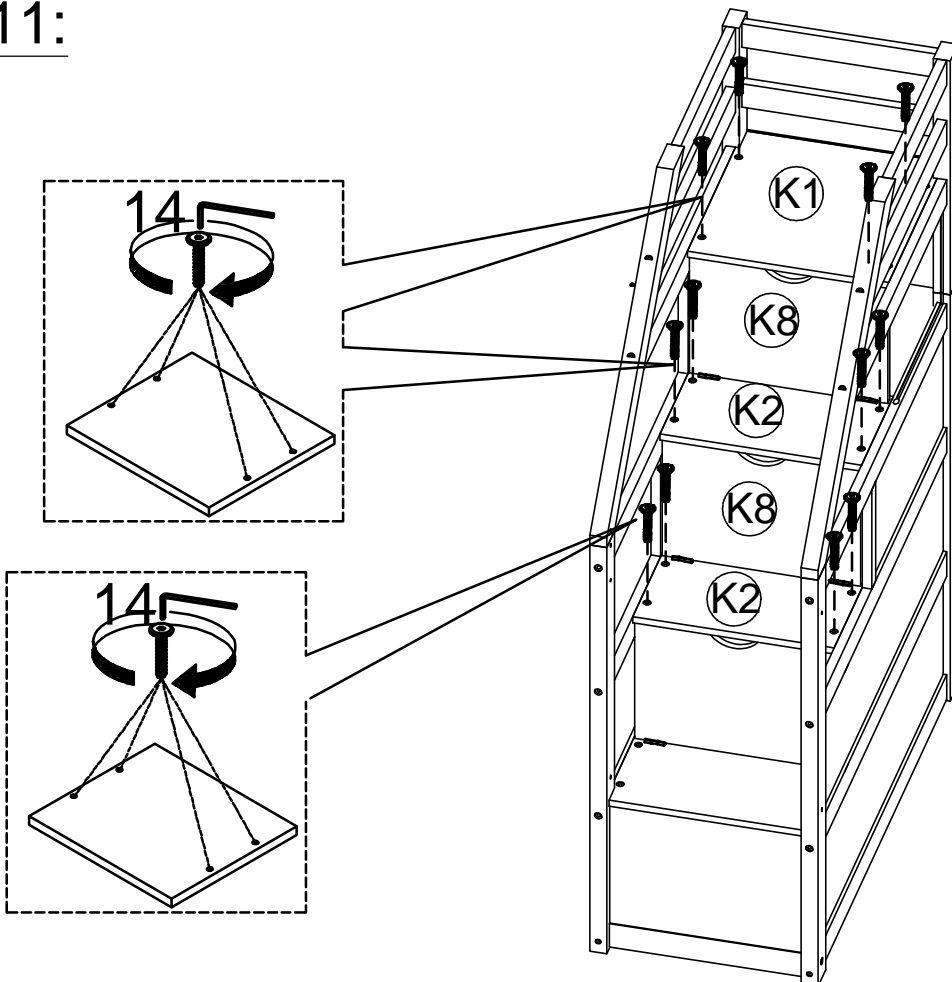
# STEP 10:

13		14	
4PCS		4PCS	




# STEP 11:

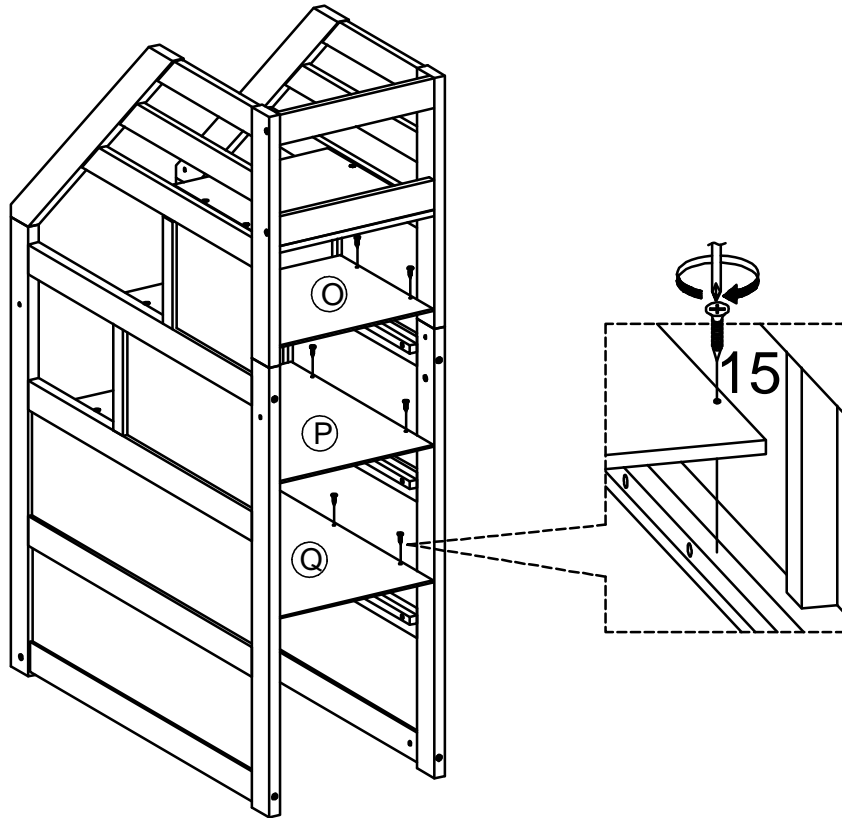
14	
12PCS	






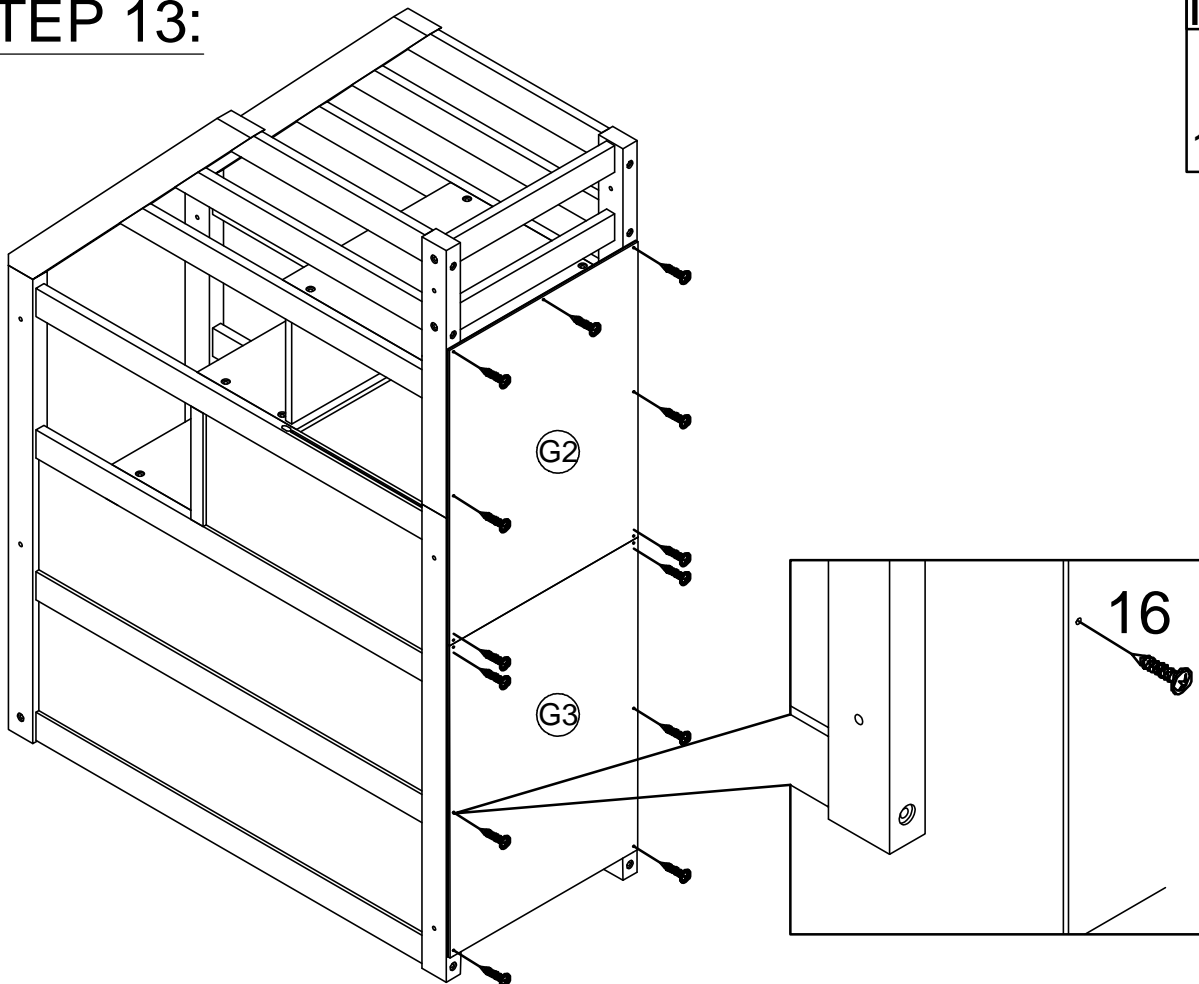
# STEP 12:

15   
14PCS



# STEP 13:

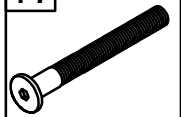
16   
13PCS



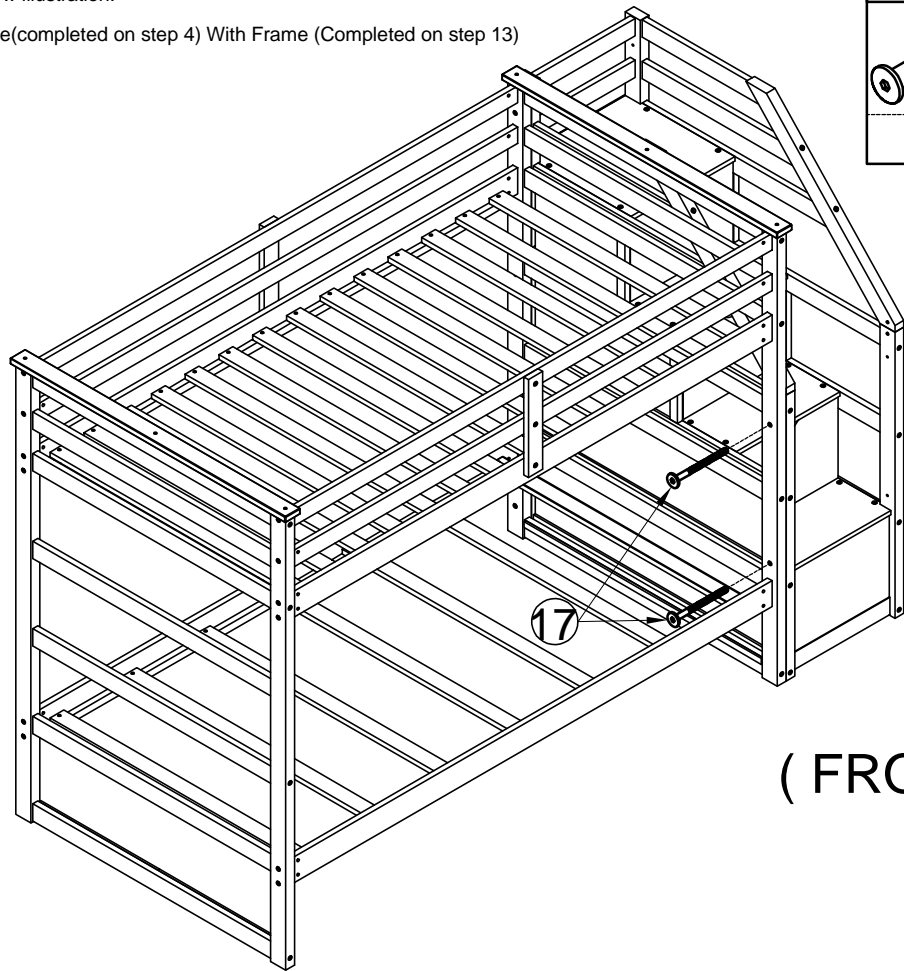
# STEP 14:

Following below illustration:  
-Using hardware #17 to Assembly Frame(completed on step 4) With Frame (Completed on step 13)

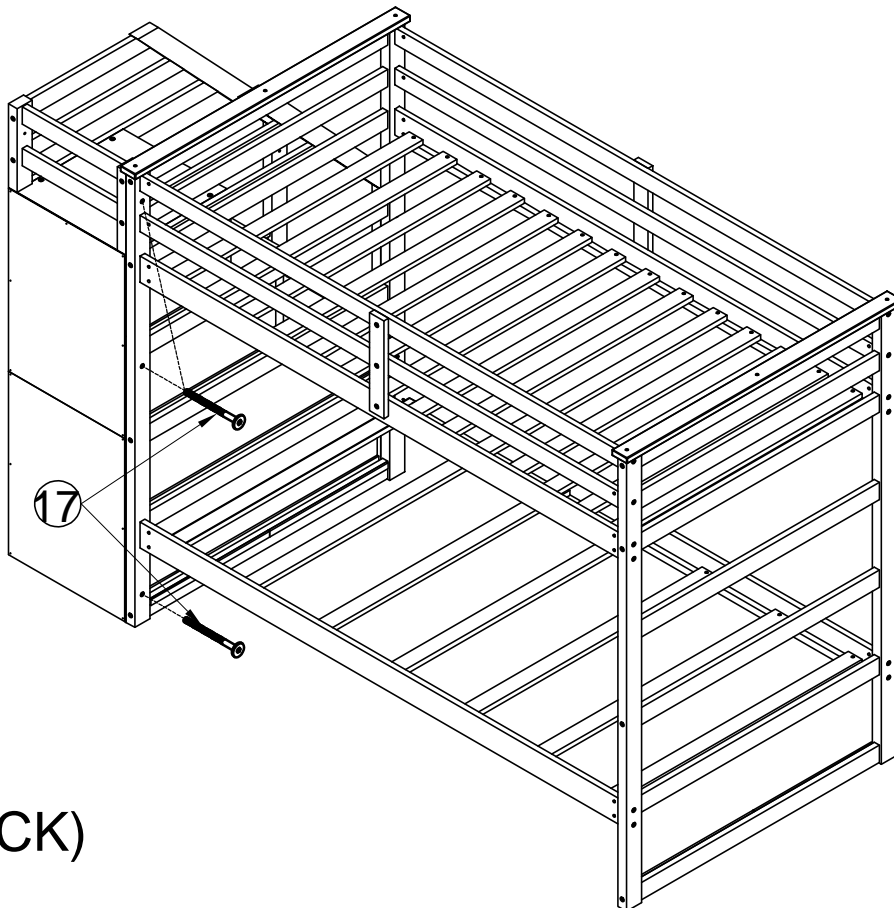
17



5pcs



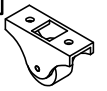
( FRONT )



( BACK )

# STEP 15-1: ASSEMBLY TRUNDLE

18

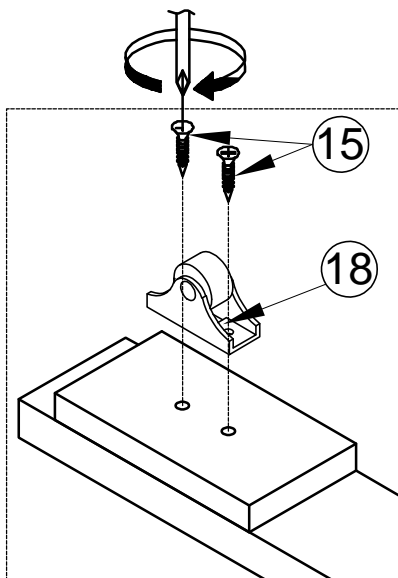
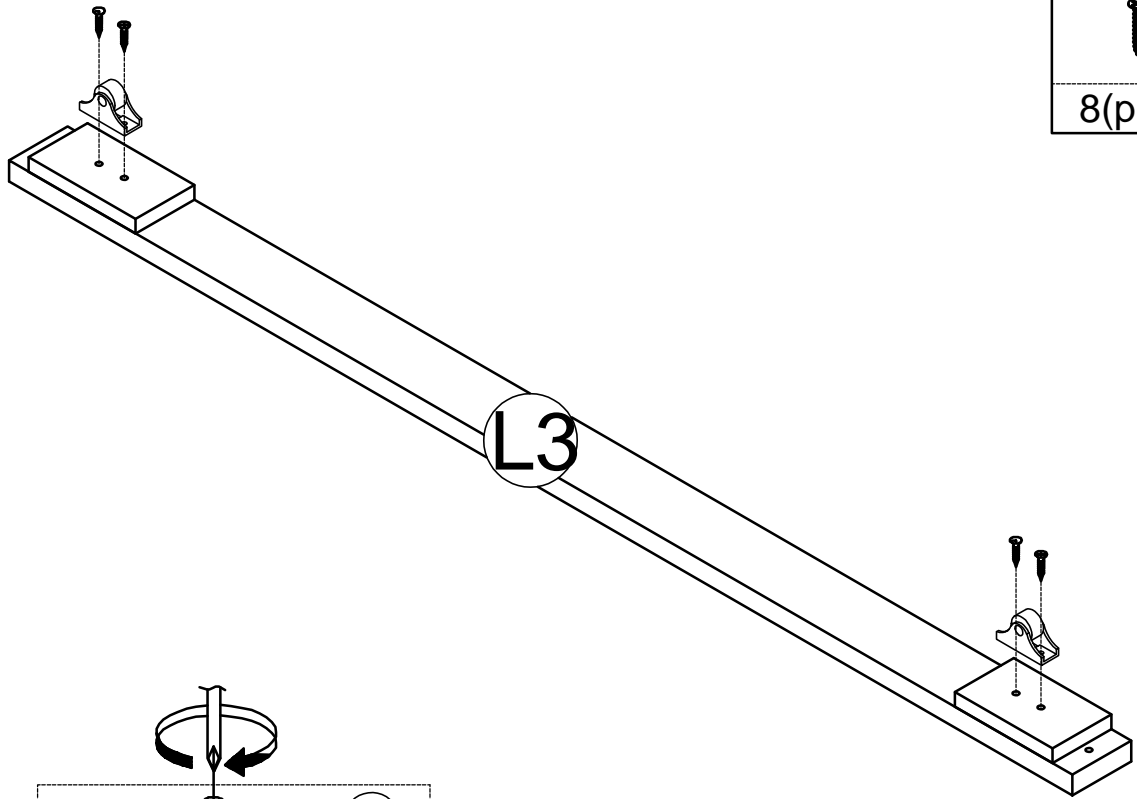


4(pcs)

15


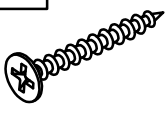



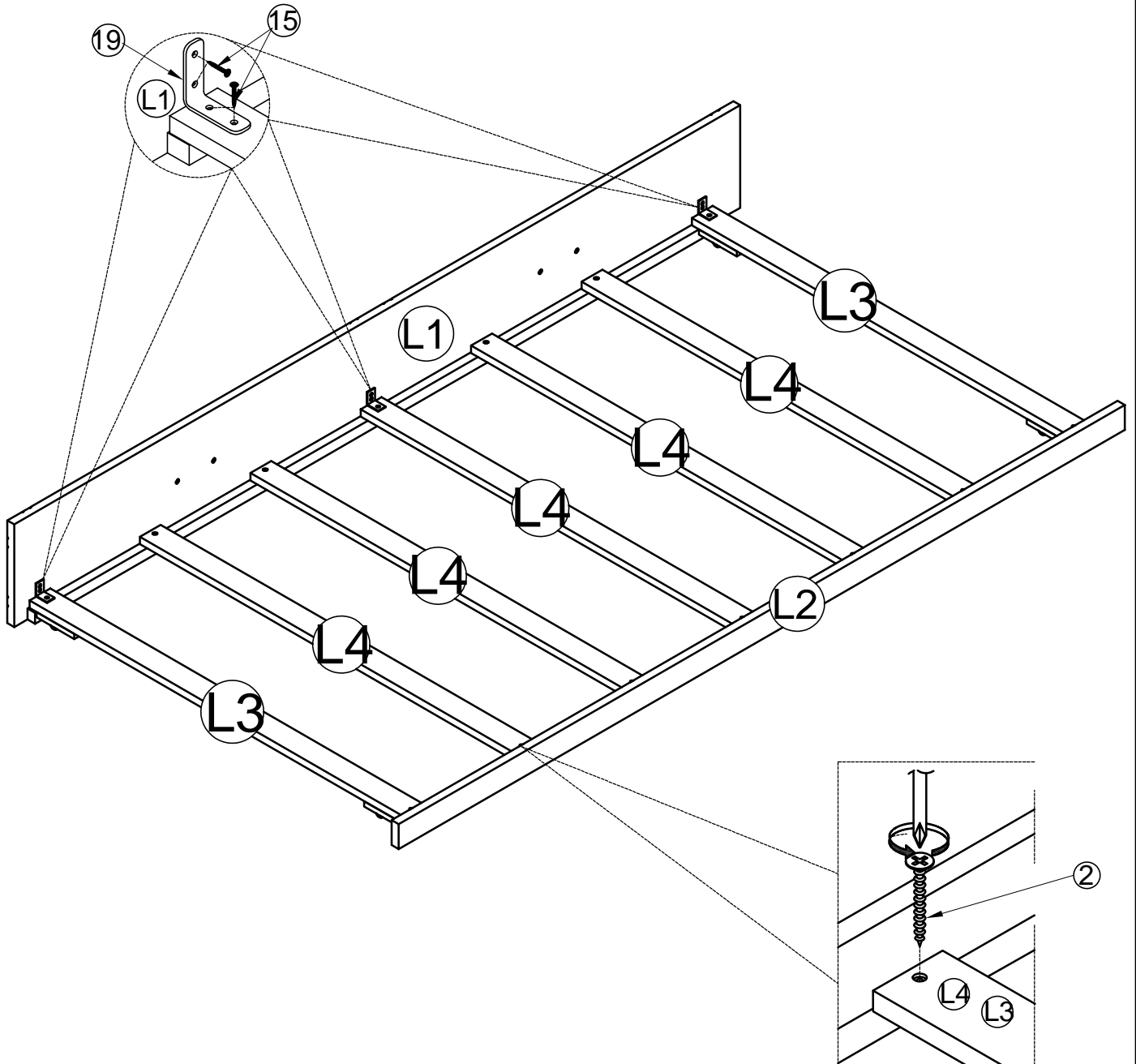
8(pcs)



# STEP 15-2: Following below illustration:

- Screw 5 slats L4, 2 slats L3 with Front Trundle(L1) and Back Trundle(L2) using hardware #2.
- Screw Steel Bracket (#19) with Front Trundle(L1) and slats L3 using hardware #15
- Look at detail view for more detail

19		15		2	
3pcs		12pcs		14pcs	



**STEP 16:** CONGRARULATION. YOU HAVE COMPLETED THE BED. just one more step to push the Under Bed Trundle

into it position

