



Buy it for looks. Buy it for life.®

# Specifications

## DESCRIPTION

- Hydrolock™ quick connect system
- Metal construction with various finishes identified by suffix
- 1/2" IPS connections
- Includes hot and cold indicators
- Includes metal pop-up waste assembly

## OPERATION

- Lever style handles
- Maximum handle rotation angle is 90° to full on for either handle
- Hot side counterclockwise to open (clockwise to close)
- Cold side clockwise to open (counterclockwise to close)

## FLOW


- Flow is limited to 1.5 gpm max (5.7L/min) at 60 psi, for products made before October 2008 flow is limited to 2.2 gpm max (8.3 L/min)

## CARTRIDGE

- 1224 cartridge design
- Nonmetallic and stainless steel material

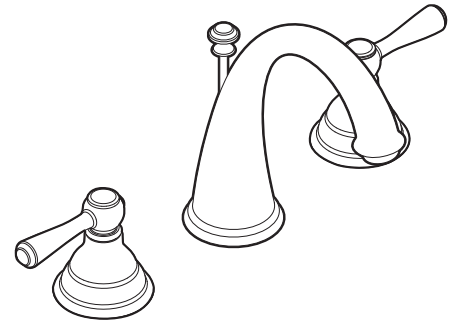
## STANDARDS

- Third party certified to WaterSense,® CSA B125.1, ASME A112.18.1, and all applicable requirements referenced therein including NSF61/9
- Contains no more than 0.25% weighted average lead content
- Complies with California Proposition 65 and with the Federal Safe Drinking Water Act

- ADA  for lever handles

## WARRANTY

- Lifetime limited warranty against leaks, drips and finish defects to the original consumer purchaser
- 5 year warranty if used in commercial installations

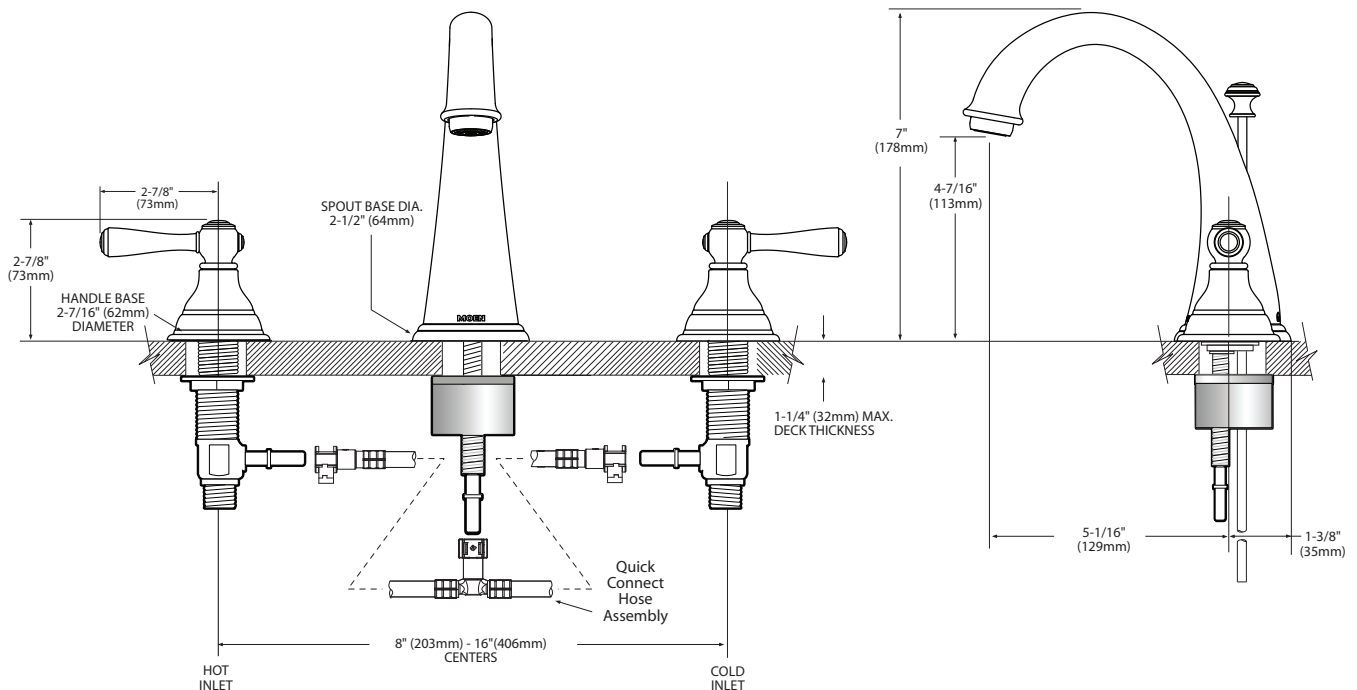


## KINGSLEY™ Two-Handle Widespread Lavatory Faucet

Models: T6125 series

Valve: 9000, 69000

**NOTE:** THIS FAUCET IS DESIGNED TO BE INSTALLED THRU 3 HOLES, 1-1/8" MIN. DIA.



## CRITICAL DIMENSIONS

(DO NOT SCALE)