



30" Front Control Induction Range

Induction Range

Available Products: FCFI3083AS

Available Colors: Stainless Steel

Version: 07/22

Product Specifications

Cooktop

| | |
|-----------------------------|--------|
| Bridge Element Location | Left |
| Cooking Surface Type | Smooth |
| Hot-Surface Indicator Light | Yes |
| Auto Pan Detect | Yes |

Cooking Controls

| | |
|-----------------------------|-----|
| Bake | Yes |
| Bake Time | Yes |
| Broil | Yes |
| Cancel | Yes |
| Child Lock | Yes |
| Clear Off | Yes |
| Clock | Yes |
| Convection Bake | Yes |
| Cook Time | Yes |
| Delay Clean | Yes |
| Delay Start | Yes |
| Door Lock | Yes |
| Keep Warm | Yes |
| Kitchen Timer | Yes |
| Lockout | Yes |
| Off | Yes |
| On / Off (for each element) | Yes |
| Oven Light | Yes |
| Preheat | Yes |
| Probe | No |
| Quick Preheat | Yes |
| Self Clean | Yes |
| Set Clock | Yes |
| Start | Yes |
| Temperature Display | Yes |
| Timer On / Off | Yes |
| User Preferences | Yes |

Drawer

| | |
|-------------|---------|
| Drawer Type | Storage |
|-------------|---------|

Display

| | |
|-------------------------|------------------|
| Display Interface Color | White |
| Display Type | Capacitive Touch |
| Control Location | Front |

Cooktop Performance

| | |
|---------------------------------|-----------------------------|
| Right Front Element Burner Size | 8 3/10" |
| Right Rear Element Burner Size | 5 1/2" |
| Left Front Element Burner Size | 7" |
| Left Rear Element Burner Size | 7" |
| Right Front Element Burner | 2,300 / 3,600 Watts (Boost) |
| Right Rear Element Burner | 1,450 / 2,500 Watts (Boost) |

Oven

| | |
|---------------------------|----------------|
| Bake Element Type | Hidden |
| Bake Element Pass | 8 |
| Bake Element | 2,500 Watts |
| Broil Element Pass | 6 |
| Broil Element | 4,000 Watts |
| Cleaning System | Yes |
| Convection | Yes |
| Convection Type | Fan |
| Rack Position Type | Embossed |
| Number of Rack Positions | 6 |
| Rack Type 1 | Flat |
| Rack Type 1 Quantity | 2 |
| Oven Interior Color | Midnight Black |
| Oven Light Type | Halogen |
| Oven Light Quantity | 1 |
| Oven Light Watts | 40 Watts |
| Number of Convection Fans | 1 |

Controls

| | |
|--------------|-----|
| Control Lock | Yes |
| Sabbath Mode | Yes |

Dimensions and Volume

| | |
|--------------------------|-------------|
| Width | 30" |
| Depth | 26" |
| Depth With Door 90° Open | 47 5/16" |
| Depth With Handle | 28 1/2" |
| Oven Interior Height | 18 1/8" |
| Oven Interior Width | 25 3/16" |
| Oven Interior Depth | 19 7/8" |
| Minimum Height | 35 5/8" |
| Maximum Height | 36 3/8" |
| Oven Capacity | 5.3 Cu. Ft. |

30" Front Control Induction Range

Induction Range

Available Products: FCFI3083AS

Available Colors: Stainless Steel

Version: 07/22

Electrical Specifications

| | |
|--------------------------|---------|
| Connected Load @ 240V | 15 kW |
| Minimum Circuit Required | 40 Amps |

General Specifications

| | |
|------------------|--------|
| Warranty - Labor | 1 Year |
| Warranty - Parts | 1 Year |

Safety Certifications and Approvals

| | |
|------------|-----|
| UL Listed | Yes |
| cUL Listed | Yes |
| RoHS | Yes |

Installation

| | |
|---------------------|-----|
| Power Cord Included | Yes |
| Filler Kit | Yes |

Certifications and Approvals

| | |
|---------------|-----|
| ADA Compliant | Yes |
|---------------|-----|

Installation Diagram

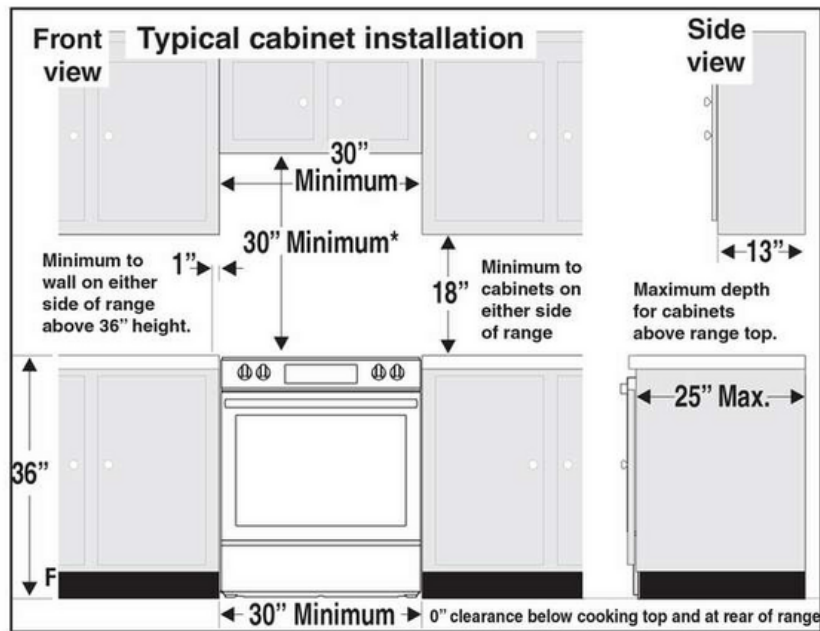


Fig. 1

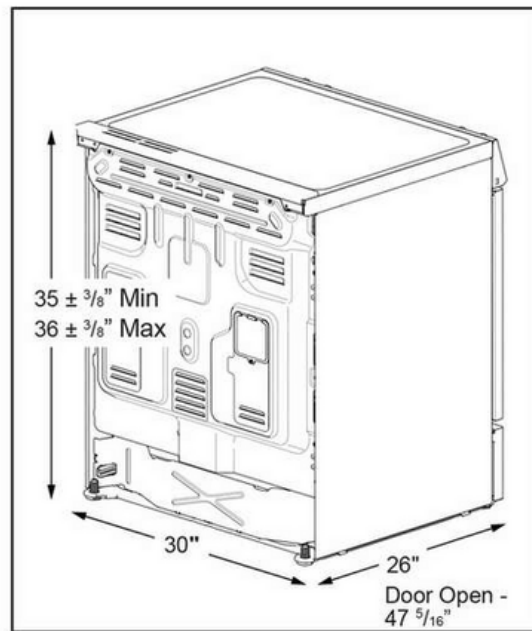


Fig. 2

*30" (762 mm) MINIMUM CLEARANCE BETWEEN THE TOP OF THE COOKING SURFACE AND THE BOTTOM OF AN UNPROTECTED WOOD OR METAL CABINET; OR 24" (610 mm) MINIMUM WHEN BOTTOM OF WOOD OR METAL CABINET IS PROTECTED BY NOT LESS THAN 1/4" (6 mm) FLAME RETARDANT MILLBOARD COVERED WITH NOT LESS THAN NO. 28 MSG SHEET STEEL, 0.015" (0.4 mm) STAINLESS STEEL, 0.024" (0.6 mm) ALUMINUM OR 0.020" (0.5 mm) COPPER. 0" (0 mm) CLEARANCE IS THE MINIMUM FOR THE REAR OF THE RANGE. FOLLOW ALL DIMENSION REQUIREMENTS PROVIDED ABOVE TO PREVENT PROPERTY DAMAGE, POTENTIAL FIRE HAZARD, AND INCORRECT COUNTERTOP AND CABINET CUTS.

TO ELIMINATE THE RISK OF BURNS OR FIRE BY REACHING OVER HEATED SURFACE UNITS, CABINET STORAGE SPACE LOCATED ABOVE THE SURFACE UNITS SHOULD BE AVOIDED. IF CABINET STORAGE IS TO BE PROVIDED, THE RISK CAN BE REDUCED BY INSTALLING A RANGE HOOD THAT PROJECTS HORIZONTALLY A MINIMUM OF 5" (127 mm) BEYOND THE BOTTOM OF THE CABINETS.

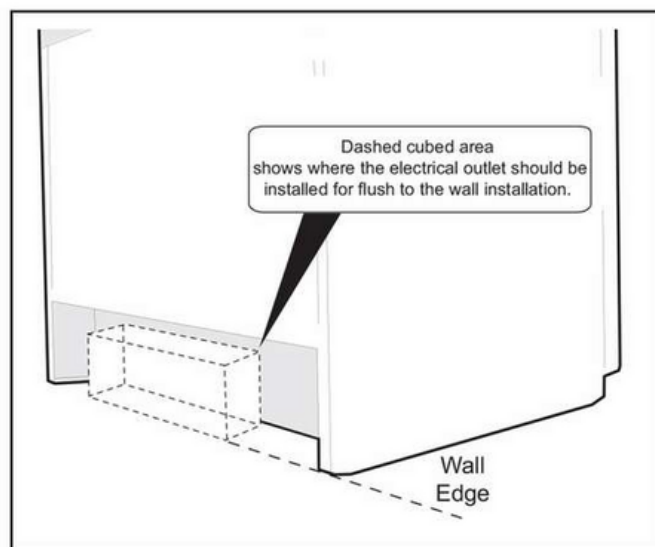


Fig. 3