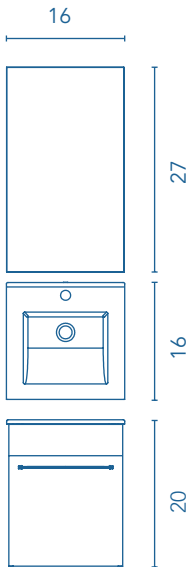


# QUBO

## UNIT

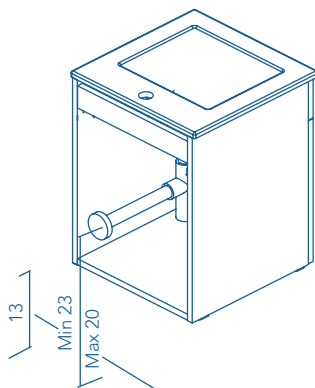
Depth 16



## TECHNICAL INFORMATION

- STRUCTURE:** High gloss lacquered 5/8 in. board and 5/8 in. melamine board.
- FRONT:** High gloss lacquered 5/8 in. board and 5/8 in. melamine board.
- HANDLE:** Metallic bright chrome finish.
- HINGE:** 105° opening, Ø 2/3 in. cap, easy assembly and soft closing system.
- MIRROR:** Rear part with 2/3 in. board.
- SINK:** Ceramic sink with 16 in. depth.

## SIPHON PLACEMENT



Finishes



SANDY GREY



ESSENCE WENGE



WHITE