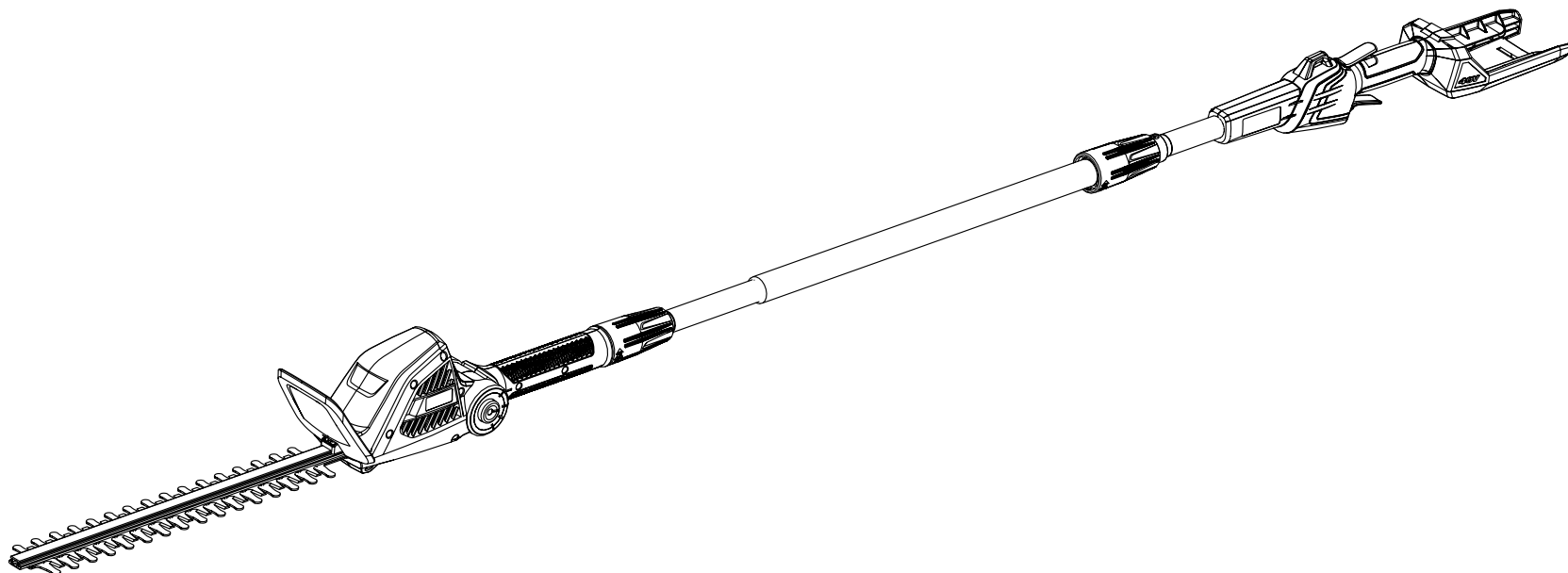


REPAIR SHEET

BRAND RYOBI		DESCRIPTION 40 Volt Pole Hedge Trimmer
MODEL NO. RY40603 RY40603VNM	MFG. NO. 107443001 107443101	

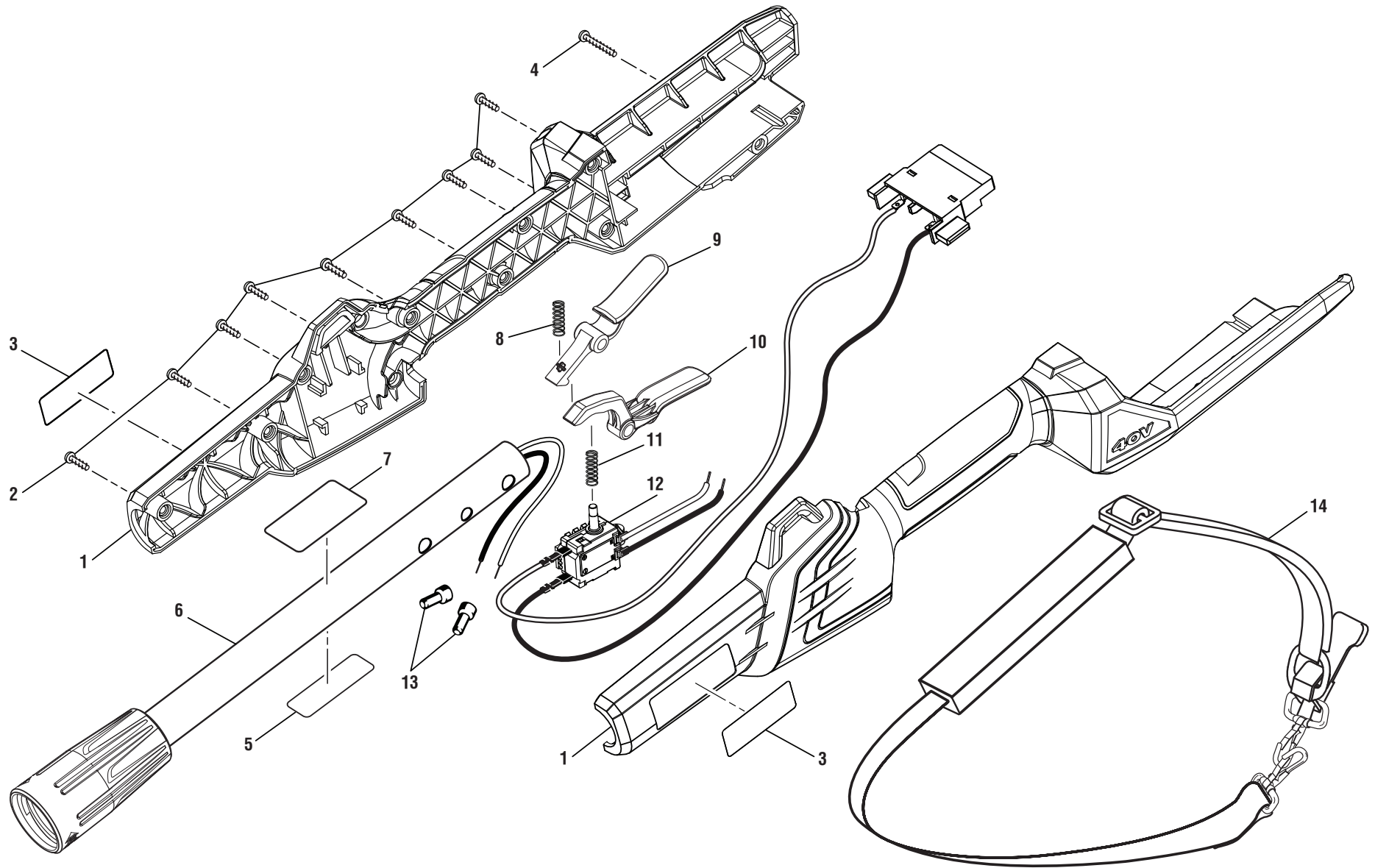


TECHTRONIC INDUSTRIES POWER EQUIPMENT

P.O. Box 1288, Anderson, SC 29622 ■ 1-800-525-2579 ■ www.ryobitools.com

3-14-21 (Rev:05)

The model number and manufacturing location will be found on a label attached to the product. Always mention this information in all communications regarding this product and when ordering parts.





RY40001B/RV40001BVNM

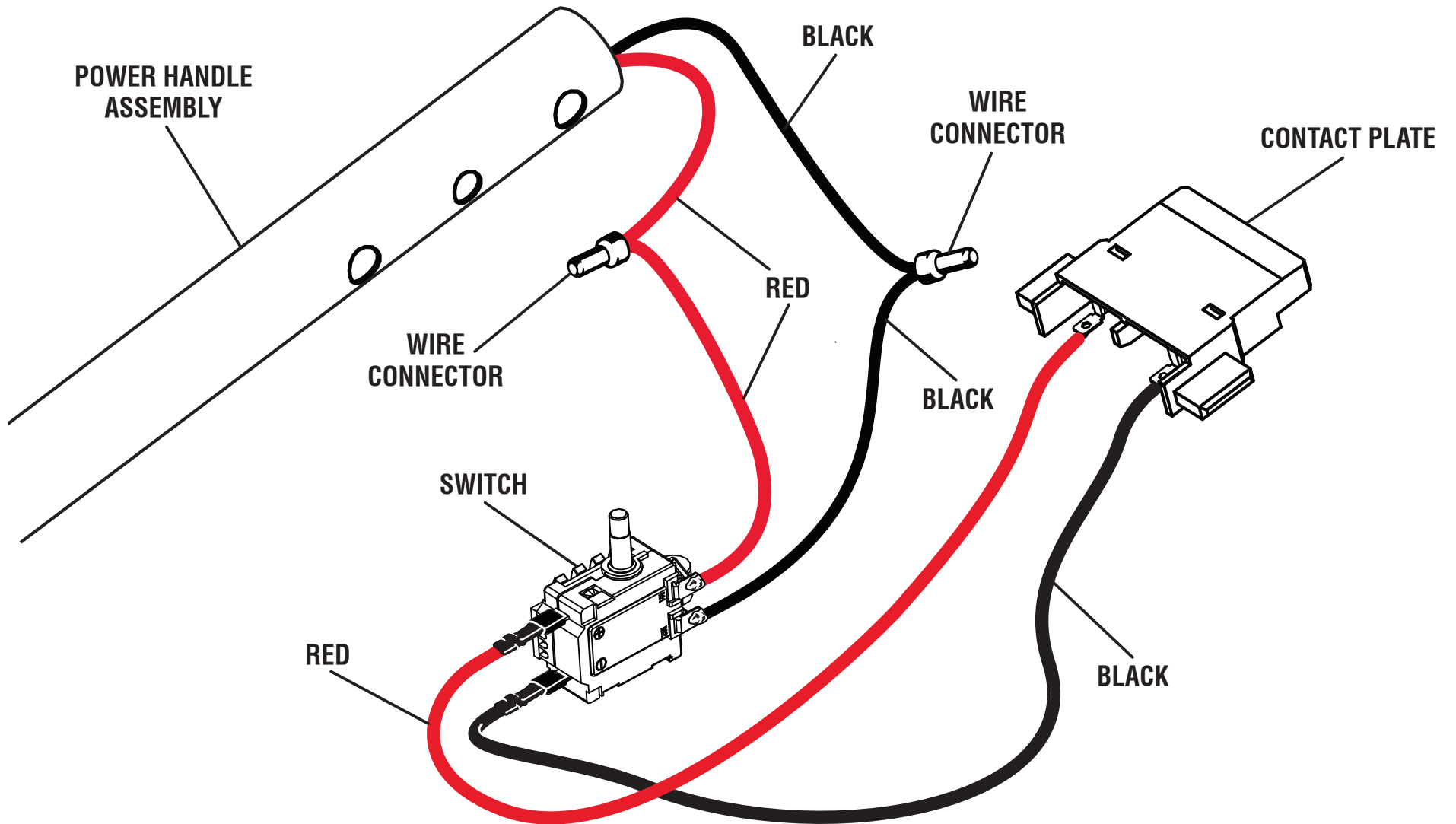
PARTS LIST — POWER HEAD

KEY NO.	PART NO.	DESCRIPTION	QTY.
1	314756001	Rear Handle Assembly (Inc. Key No. 3)	1
2	661817001	Screw (M4 x 14 mm, T15 Torx Pan Hd.)	9
3	941545002	Logo Label	2
4	660208104	Screw (M4 x 30 mm, T15 Torx Pan Hd.)	1
5	941657020	Data Label (RY40001B)	1
	941588614	Data Label (RY40001BVNM)	1
6	315869001	Upper Tube Assembly (Inc. Key Nos. 5 and 7, RY40001B)	1
	316350001	Upper Tube Assembly (Inc. Key Nos. 5 and 7, RY40001BVNM)	1
7	941851103	Warning Icons Label	1

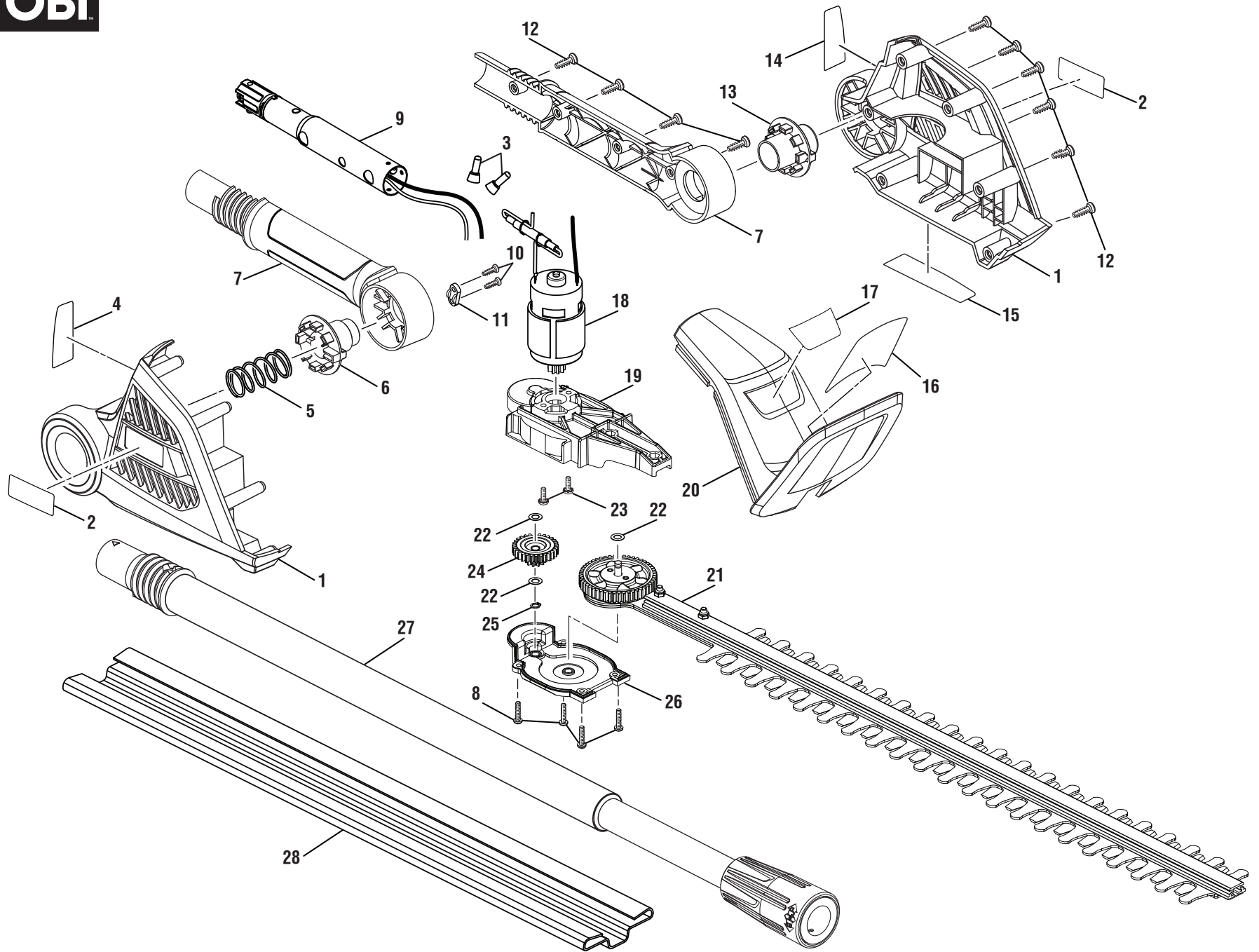
KEY NO.	PART NO.	DESCRIPTION	QTY.
8	679973002	Compression Spring (Trigger Lock)	1
9	525589001	Lock Off Button (Trigger Lock)	1
10	525590001	Switch Trigger	1
11	679973001	Compression Spring (Trigger)	1
12	291452004	Switch and Contact Plate Assembly	1
13	790009004	Wire Connector	2
14	308047001	Shoulder Strap	1
	Not Shown:		
	995000959	Operator's Manual	



RY40001B/RY40001BVNM



WIRING DIAGRAM



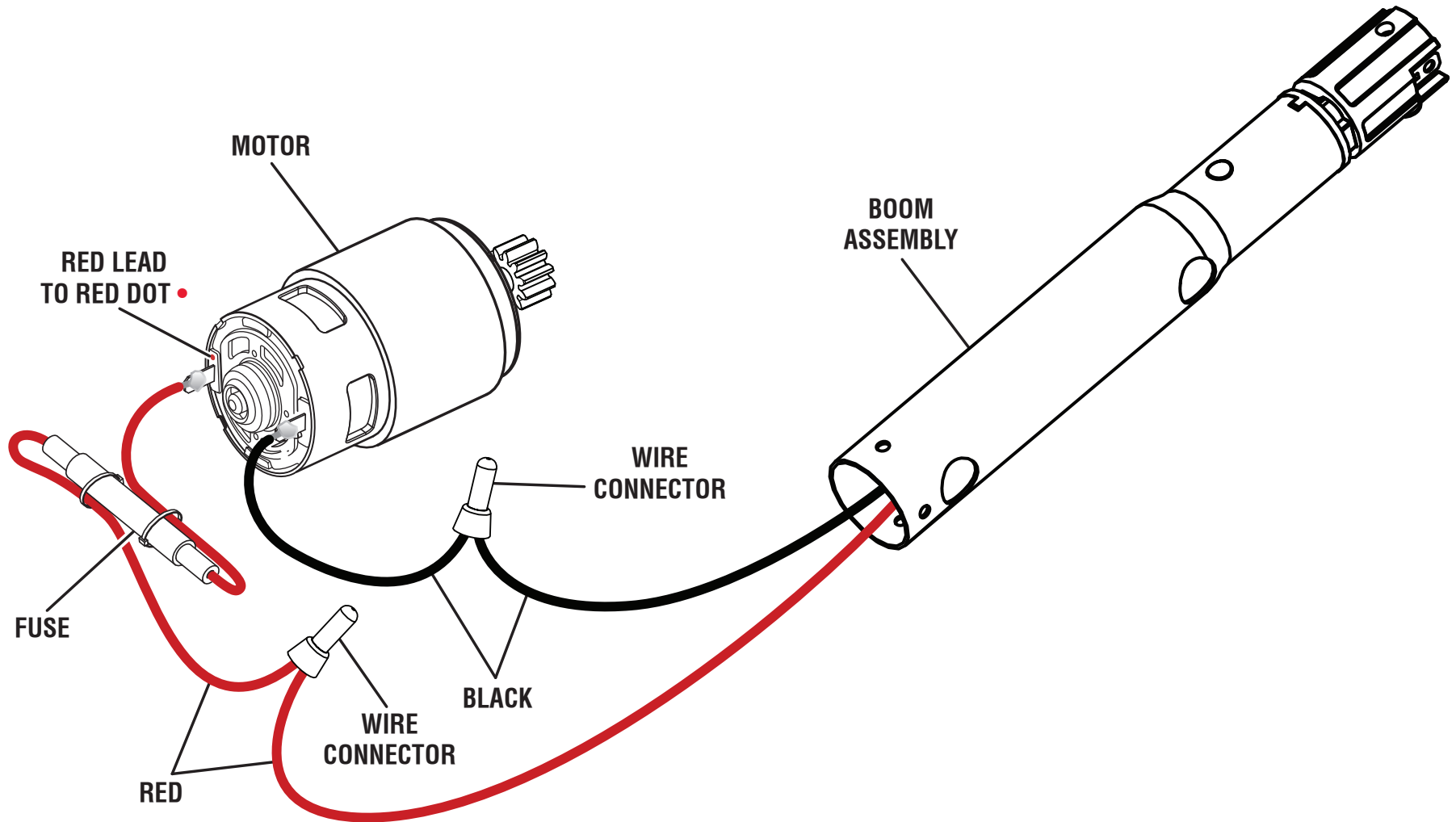


RY40060/RV40060VNM

PARTS LIST — HEDGE TRIMMER ATTACHMENT

KEY NO.	PART NO.	DESCRIPTION	QTY.
1	315870001	Motor Housing Assembly (Inc. Key Nos. 2, 4 & 14-15, RY40060)	1
	314349001	Motor Housing Assembly (Inc. Key Nos. 2, 4 & 14-15, RY40060VNM)	1
2	940114179	Logo Label	2
3	790009004	Wire Connector	2
4	940657330	Warning Icons Label (Left)	1
5	679417001	Compression Spring (Pivot Button)	1
6	525446001	Pivot Button (Right)	1
7	315753001	Pole Housing Assembly	1
8	660208052	Screw (M4 x 16 mm, Pan Hd.)	4
9	315754001	Lower Boom Assembly	1
10	661824001	Screw (M4 x 10 mm, Pan Hd.)	2
11	523001003	Strain Relief	1
12	661817001	Screw (M4 x 14 mm, T15 Torx Pan Hd.)	10
13	525447001	Pivot Button (Left)	1
14	940657331	Warning Icons Label (Right)	1

KEY NO.	PART NO.	DESCRIPTION	QTY.
15	941588465	Data Label (RY40060)	1
	941588644	Data Label (RY40060VNM)	1
16	941657021	Danger Warning Label	1
17	941588838	40V Lithium-Ion Label	1
18	311078006	Motor Assembly	1
19	311065001	Base Assembly	1
20	317479001	Motor Cover and Guard Assembly (Inc. Key Nos. 16-17)	1
21	311185001	Blade Assembly	1
22	670914001	Washer (M6, ID6.2 x 110D x 0.3t)	3
23	660137001	Screw (M4 x 12 mm, Pan Hd.)	2
24	610114001	Center Gear	1
25	670704001	Retaining Ring (External)	1
26	311066001	Gear Box Cover Assembly	1
27	311081001	Extended Boom Assembly	1
28	525406003	Scabbard	1



WIRING DIAGRAM