

Halsey Taylor® Owners Manual

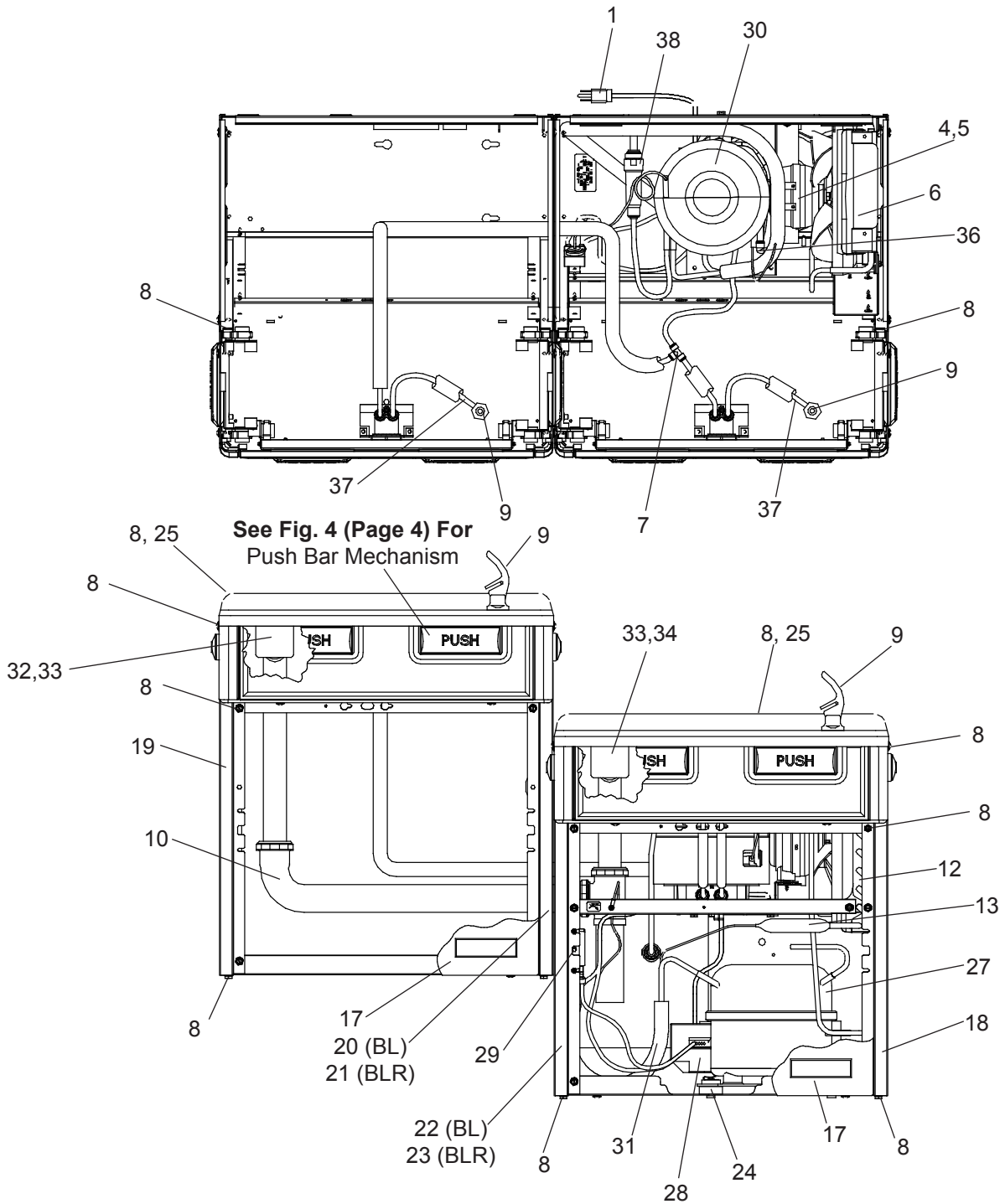
MANUAL DEL PROPIETARIO HALSEY TAYLOR
MANUEL DE L'UTILISATION HALSEY TAYLOR

HAC Series Bi-Level Wall Mount Water Coolers
Enfriadores de agua de Monte HAC serie pared dos niveles
HAC série deux niveaux Wall Mount refroidisseurs d'eau



Note: Danger! Electrical shock hazard. Disconnect power before servicing unit.

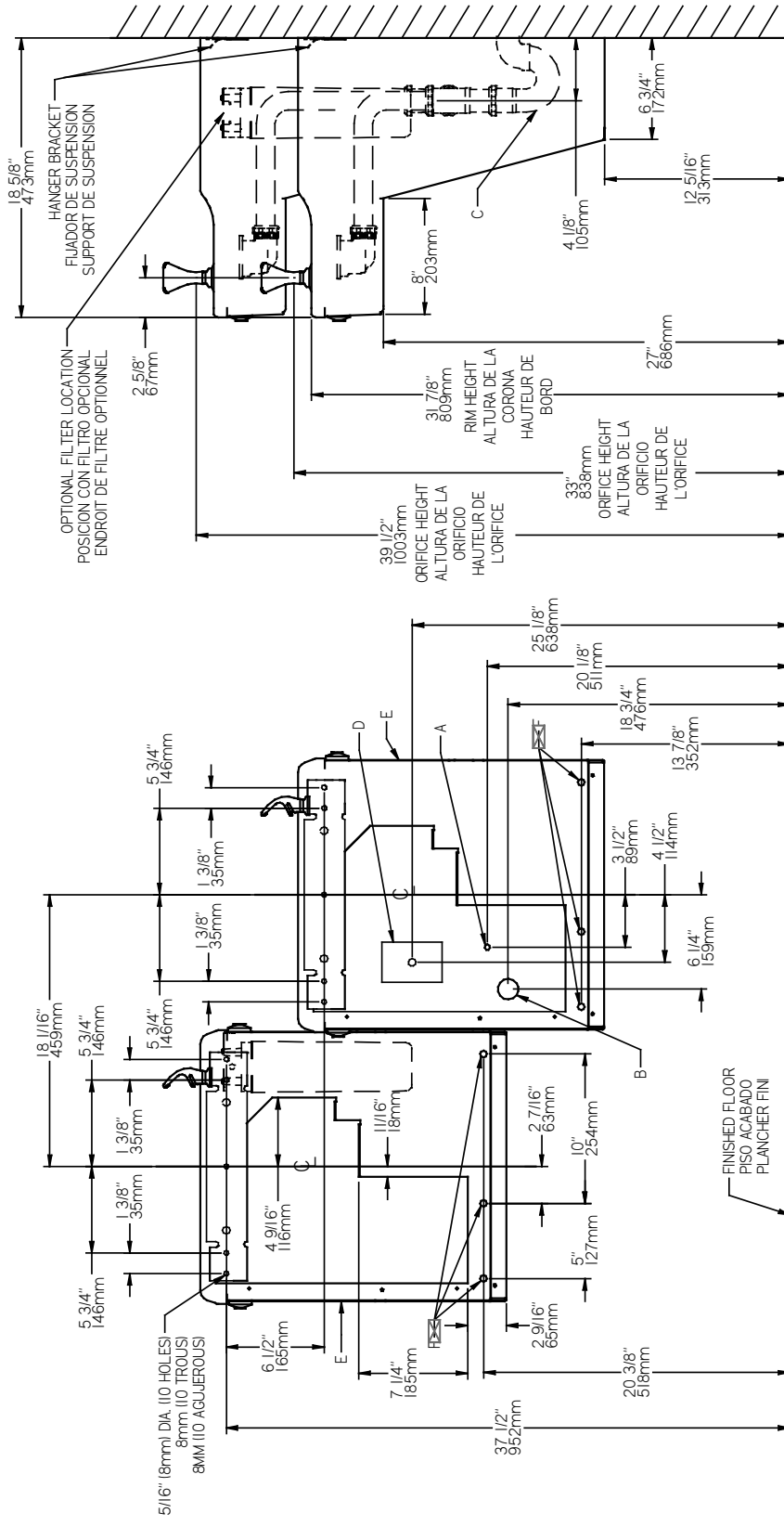
Uses HFC-134A refrigerant



**FIG. 1
 HAC8FSCBL SHOWN**

NOTE: Non-refrigerated units do not include all electrical and refrigeration components shown above. Other components and rough-in are the same as shown.

HAC8FSCBL



REDUCE HEIGHT BY 3 FOR INSTALLATION OF CHILDREN'S ADA COULER

FIG. 2

LEGEND/LEYENDA/LÉGENDE

- A = RECOMMENDED WATER SUPPLY LOCATION, SHUT OFF VALVE (NOT FURNISHED) TO ACCEPT 3/8" O.D. UNPLATED COPPER TUBE.**
 POSICIÓN DE ABASTECIMIENTO DE AGUA RECOMENDADA. VÁLVULA CERRADA (NO AMUEBLADO) PARA ACEPTAR 3/8" O.D. TUBO DE COBRE NO PLATEADO.
 ENDROIT D'APPROVISIONNEMENT EN EAU RECOMMANDÉ. LA VALVE ARRÊTÉE (NON FOURNI) POUR ACCEPTER 3/8" PO. (9.5mm)
- B = RECOMMENDED LOCATION FOR WASTE OUTLET 1-1/2" O.D. DRAIN**
 TUBE COULEUR CUIVRE NON PLAQUÉ.
 UBICACIÓN RECOMENDADA PARA EL DRENAJE DE SALIDA DE AGUA, DE 1-1/2" DE DIÁMETRO.
 EMPLACEMENT RECOMMANDÉ POUR LE DRAIN DE D.E. 1-1/2" DE SORTIE D'EAU.
- C = 1-1/2" TRAP NOT FURNISHED***
 PURGADOR DE 1-1/2" NO PROPORCIONADO*
- D = ELECTRICAL SUPPLY (3) WIRE RECESSED BOX**
 CAJA RECESIVA DE ALAMBRES (3) DE SUMINISTRO ELÉCTRICO
 BOITE ENCASTRÉE D'ALIMENTATION ÉLECTRIQUE (3) FILS
- E = INSURE PROPER VENTILATION BY MAINTAINING 6" (152 mm) (MIN.) CLEARANCE FROM CABINET LOUVERS TO WALL.**
 ASEGURE UNA VENTILACIÓN ADECUADA MANTENIENDO UN ESPACIO E 6" (152 mm) (MÍN.) DE HOLGURA ENTRE LA REJILLA DE VENTILACIÓN DEL MUEBLE Y LA PARED
 ASSUREZ-VOUS UNE BONNE VENTILATION EN GARDANT 6" (152 mm) (MIN.) ENTRE LES ÉVÉNENTS DE L'ENCEINTE ET LE MUR.
- F = 7/16" BOLT HOLES FOR FASTENING UNIT TO WALL**
 AGUJEROS DE LAS TUERCAS DE 7/16" PARA SUJETAR LA UNIDAD A LA PARED
 TROUS D'ÉCROUS 7/16" POUR FIXER L'APPAREIL AU MUR

HAC8FSCBLR

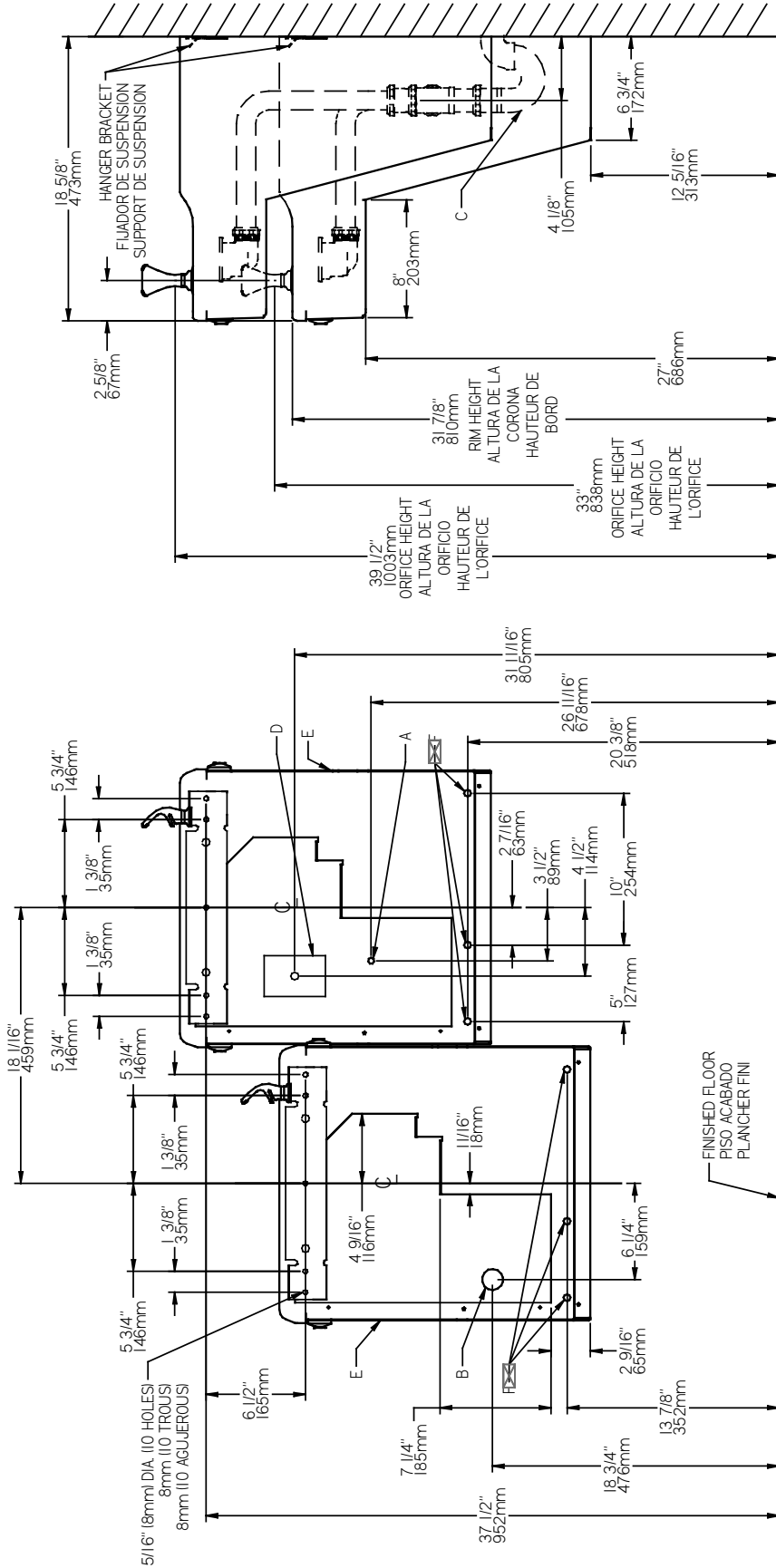


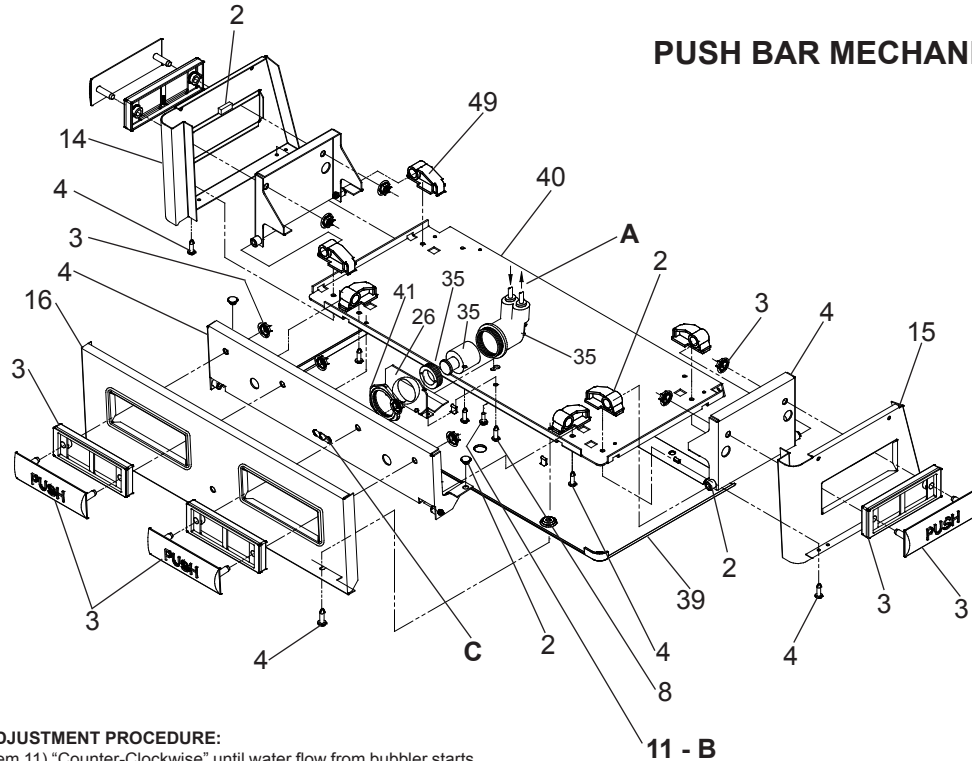
FIG. 3

REDUCE HEIGHT BY 3" FOR INSTALLATION OF CHILDREN'S ADA COOLER

LEGEND/LEYENDA/LÉGENDE

- A = RECOMMENDED WATER SUPPLY LOCATION. SHUT OFF VALVE (NOT FURNISHED) TO ACCEPT 3/8 O.D. UNPLATED COPPER TUBE.**
 POSICIÓN DE ABASTECIMIENTO DE AGUA RECOMENDADA. VALVULA CERRADA (NO AMUEBLADO) PARA ACEPTAR 3/8" O.D. TUBO DE COBRE NO PLATEADO.
 ENDROIT D'APPROVISIONNEMENT EN EAU RECOMMANDÉ. LA VALVE ARRÊTÉE (NON FOURNI) POUR ACCEPTER 3/8" PO. (9.5mm)
- B = RECOMMENDED LOCATION FOR WASTE OUTLET 1-1/2" O.D. DRAIN**
 UBICACIÓN RECOMENDADA PARA EL DRENAJE DE SALIDA DE AGUA. DE 1-1/2 DE DIÁMETRO.
 EMPLACEMENT RECOMMANDÉ POUR LE DRAIN DE D.E. 1-1/2 DE SORTIE D'EAU.
- C = 1-1/2" TRAP NOT FURNISHED****
 PURGADOR DE 1-1/2 NO PROPORCIONADO**
 SIPHON 1-1/2 NON FOURNI**
- D = ELECTRICAL SUPPLY (3) WIRE RECESSED BOX**
 CAJA RECESIVA DE ALAMBRES (3) DE SUMINISTRO ELÉCTRICO
 BOÎTE ENCASTRÉE D'ALIMENTATION ÉLECTRIQUE (3) FILS
- E = INSURE PROPER VENTILATION BY MAINTAINING 6" (152 mm) (MIN.) CLEARANCE FROM CABINET LOUVERS TO WALL.**
 ASEGURE UNA VENTILACION ADECUADA MANTENIENDO UN ESPACIO E 6" (152 mm) (MIN.) ENTRE LES ÉVENTS DE L'ENGEINTE ET LE MUR.
 ASSUREZ-VOUS UNE BONNE VENTILATION EN GARDANT 6" (152 mm) (MIN.) ENTRE LES ÉVENTS DE L'ENGEINTE ET LE MUR.
- F = 7/16 BOLT HOLES FOR FASTENING UNIT TO WALL.**
 AGUJEROS DE LAS TUERCAS DE 7/16 PARA SUJETAR LA UNIDAD A LA PARED
 TROUS D'ECROUS 7/16 POUR FIXER L'APPAREIL AU MUR

PUSH BAR MECHANISM



Water Valve Mechanism - ADJUSTMENT PROCEDURE:

- Turn adjustment screw (Item 11) "Counter-Clockwise" until water flow from bubbler starts.
- Turn adjustment screw "Clockwise" until water flow stops, THEN turn an additional 1/2 turn.

NOTE: Adjustments stated above are viewed from underneath unit (bottom side of dispenser panel Item 40)

NOTE: If continuous flow occurs at the end of the compressor cycle, turn cold control (Item 29) counterclockwise 1/4 turn.

LEGEND

- A) Note: Water flow direction
- B) Adjust this screw to eliminate mechanism "Free Play" or continuous flow from bubbler conditions. (See ADJUSTMENT PROCEDURE)
- C) Stream height adjustment (see note #8)

FIG. 4

IMPORTANT
ALL SERVICE TO BE PERFORMED BY AN
AUTHORIZED SERVICE PERSON

HANGER BRACKETS & TRAP

INSTALLATION

- 1) Remove hanger brackets fastened to back of cooler by removing one (1) screw.
 - 2) Mount the hanger brackets and trap as shown in Figures 2 or 3.
- NOTE:** Hanger Brackets **MUST** be supported securely. Add fixture support carrier if wall will not provide adequate support.

IMPORTANT:

- 4 1/8 in. (105mm) dimension from wall to centerline of trap must be maintained for proper fit.
 - Anchor hanger securely to wall using all five (5) 5/16" dia. mounting holes.
- 3) Install straight valve for 3/8" O.D. tube.

INSTALLATION OF COOLER

- 4) Hang the cooler on the hanger bracket. Be certain the hanger bracket is engaged properly in the slots on the cooler back as shown in Fig. 5.
- 5) Loosen the two (2) screws holding the lower front panel at the bottom of cooler base and two (2) screws at the top. Remove the front panel and set aside.
- 6) Connect water inlet line--See Note 4 of General Instructions.
- 7) Remove the slip nut and gasket from the trap and install them on the cooler waste line making sure that the end of the waste line fits into the trap. Assemble the slip nut and gasket to the trap and tighten securely.

START UP

Also See General Instructions

- 8) Stream height is factory set at 45-50 PSI. If supply pressure varies greatly from this, readjust stream height to approximately 1-1/2" (38mm) above the bubbler guard by turning adjustment screw, accessible by removing front push panel. Item No. 16 (see Fig. 4 & 6).
- 9) Replace the front panel and secure by retightening four (4) screws.
- 10) If a taste, odor or sediment problem is prevalent, try installing our water filter module.

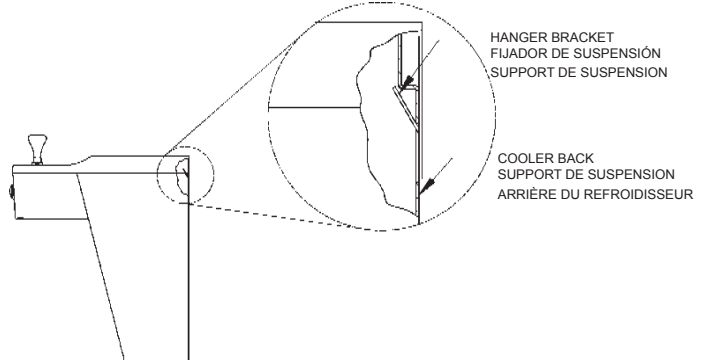
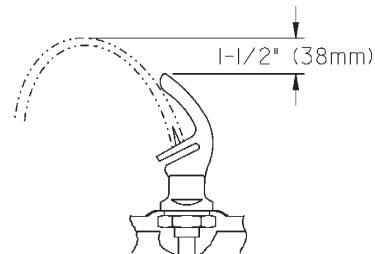


FIG. 5



CORRECT STREAM HEIGHT

FIG. 6

ITEMIZED PARTS LIST

ITEM NO	PART NO	DESCRIPTION
1	36208C	Power Cord
2	98537C	Kit - Push Bars/Blocks/Bumpers/Rivets
3	98895C	Kit - Push Bars/Inserts/Nuts
4	98789C	Kit - Front/Side Pushbars/Screws
5	000000245	Kit - Fan Motor/no Shroud-220V-50/60Hz
	98775C	Kit - Fan Motor/Blade/Shroud/Nut-115V
6	56237C	Shroud - Fan
7	100001994	Kit - Fitting - Tee 1/4" (3 Pack)
8	98899C	Kit - Mtg Hardware for Panels
9	98533C	Bubbler Assy
10	45876C	Drain Tube Assembly
11	70935C	Screw - Shoulder x 1/2" Lg.
12	98776C	Kit - Condenser/Drier
13	66703C	Drier
14	See Color Table	Panel - Left Side
15	See Color Table	Panel - Right Side
16	See Color Table	Panel - Front Push
17	See Color Table	Panel - Front Lower
18	See Color Table	Panel - Right Rear
19	See Color Table	Panel - Left Rear
20	See Color Table	Panel - Right Rear BL
21	See Color Table	Panel - Right Rear BLR
22	See Color Table	Panel - Left Rear BL
23	See Color Table	Panel - Left Rear BLR
24	98777C	Kit - Compr Mtg.Studs/Clips/Grommets
25	28960C	Basin - Stainless Steel
26	23003C	Bracket - Regulator Mounting
*27	36322C	Compressor Serv. Pak-115V
	1000002147	Compressor Serv. Pak-220V/50Hz
28	000000238	Kit - Elec/Relay/Overload/Cover 115V
	98751C	Kit - Elec/Relay/Overload/Cover-220V/50Hz
29	98773C	Kit - Cold Control/Screws
30	98724C	Kit - Evaporator Replacement Assembly
31	98778C	Kit - Heat Exchanger/Drier
32	45929C	Waste Line BL (Left Unit)
32A	45929C	Waste Line BLR (Left Unit)
33	98856C	Kit - Drain/Plug/Strainer/Gasket/Elbow/Nut
34	45929C	Waste Line BL (Refrig. Unit)
34A	45929C	Waste Line BLR (Refrig. Unit)
35	98531C	Kit - Regulator/Holder/Nut
36	1000001602	Kit - Elbow - 5/16" x 1/4" (3 Pack)
37	56092C	Tubing - Poly (Cut To Length)
38	55996C	Strainer
39	55931C	Cover - Dispenser Bottom
40	22897C	Panel - Bottom Dispenser
41	1000001926	Kit - Regulator Hex Nut (4 Pack)
NS	28551C	Hanger Bracket
NS	35826C	Power Inlet

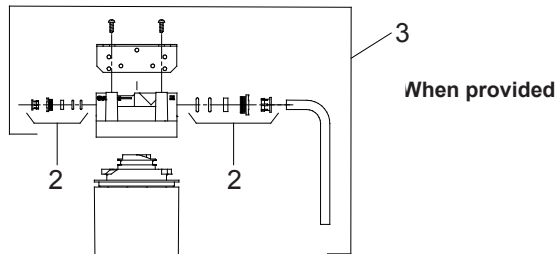


FIG. 7

WATERSENTRY® FILTER PARTS LIST
(See Fig. 7)

ITEM NO.	PART NO.	DESCRIPTION
1	55897C	Filter Assy
2	98926C	Kit-Filter Head Fitting Includes John Guest Fittings
3	1000003563	Assy -Filter Head & Bracket includes John Guest Ftgs/Screws

***REPLACE WITH SAME COMPRESSOR USED IN ORIGINAL ASSEMBLY. NOTE:** All correspondence pertaining to any of the above water coolers or orders for repair parts MUST include Model No. and Serial No. of cooler, name and part number of replacement part.

COLOR TABLE								
Refrig. Unit	Panel Color	Item No. 14 Part No.	Item No. 15 Part No.	Item No. 16 Part No.	Item No. 17 Part No.	Item No. 18 Part No.	Item No. 22 Part No.	Item No. 23 Part No.
	Platinum Vinyl	28127C	28123C	28705C	22844C	28144C	28161C	28712C
Stainless Steel	28128C	28124C	28706C	22955C	28525C	28536C	28562C	

COLOR TABLE								
Left Unit	Panel Color	Item No. 14 Part No.	Item No. 15 Part No.	Item No. 16 Part No.	Item No. 17 Part No.	Item No. 19 Part No.	Item No. 20 Part No.	Item No. 21 Part No.
	Platinum Vinyl	28127C	28123C	28705C	22844C	28148C	28709C	28715C
Stainless Steel	28128C	28124C	28706C	22955C	28528C	28539C	28559C	

Halsey Taylor

2222 CAMDEN COURT
 OAK BROOK, IL 60523
 630.574.3500

PRINTED IN U.S.A.

FOR PARTS CONTACT YOUR LOCAL DISTRIBUTOR OR VISIT OUR WEBSITE - WWW.HALSEYTAYLOR.COM