

Forced Air Heater RFI-D Series

⚠️ IMPORTANT INSTRUCTIONS

When using electrical appliances, basic precautions should always be followed to reduce the risk of fire, electric shock, and injury to persons, including the following:

1. Read all instructions before using the heater.
2. The heater is hot when in use. To avoid burns, do not let bare skin touch hot surfaces. The trim around the heater outlet becomes hot during heater operation. Keep combustible materials, such as furniture, pillows, bedding, papers, clothes, and curtains at least 3 ft (0.9 m) from the front of the unit and keep them away from the sides and rear.
3. Extreme caution is necessary when any heater is used by or near children or invalids and whenever the unit is left operating and unattended.
4. Do not operate any heater after it malfunctions. Disconnect power at the service panel and have the heater inspected by a reputable electrician before reusing.
5. Do not use outdoors.
6. To disconnect the unit, turn the controls off, and then switch off at main power supply panel.
7. Do not insert or allow foreign objects to enter any ventilation or exhaust opening as this may cause an electric shock or fire, or damage to the heater.
8. To prevent a possible fire, do not block air intake or exhaust in any manner.
9. All electrical heaters have hot and arcing or sparking parts inside. Do not use in areas where gasoline, paint, or flammable liquids are used or stored.
10. Do not modify this heater. Use it only as described in this manual. Any other use not recommended by the manufacturer may cause fire, electric shock or injury to persons.

SAVE THESE INSTRUCTIONS

🔧 Installation Instructions

⚠️ WARNING: Wiring procedures and connections should be in accordance with the National Electric code (NEC & CEC) and local codes.

⚠️ WARNING: To reduce the risk of fire, do not store or use gasoline or other flammable vapors or liquids in the vicinity of the heater.

⚠️ CAUTION: High temperature, risk of fire, keep electrical cords, drapery, furnishings, and other combustibles at least 3 feet (0.9 m) from the front of the heater.

Remove heater from carton. The front grille and trim can be lifted off the assembly, and placed in carton to prevent damage. Remove screws securing heater assembly to the recess box and separate. (Figure 1).

! NOTE: Mount the heater a minimum of 12" (30.5cm) from the finished floor, and a minimum of 6" (15cm) from any vertical surface if installed in the ceiling.

Recessed Installation

1. The recess box provided with the heater is designed for attachment between studs placed on 16" (40.6cm) cen-

Figure 1

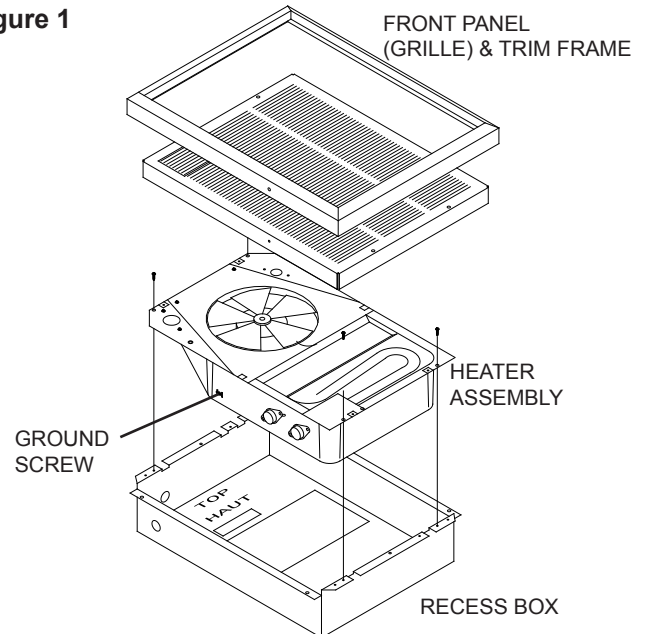
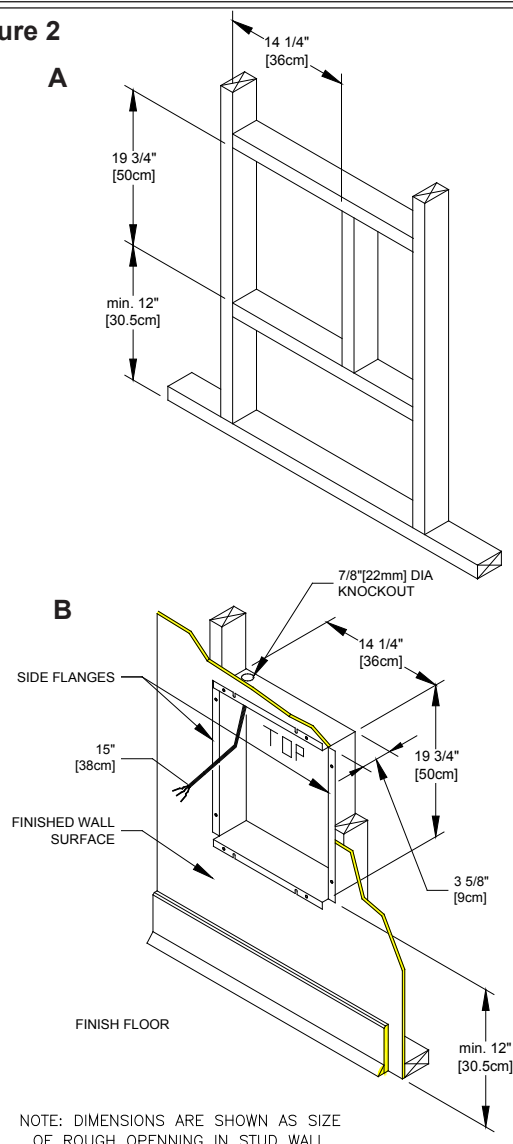


Figure 2



tres. If different spacing exists, construct frame to suit the box in order to avoid any vibration and noise caused by loose mounting (Figure 2a).

- Note the orientation of box ("TOP" shown on recess box) and secure to studs using four holes provided on side flanges, ensuring these flanges are flush with finished surface of wall or ceiling (Figure 2b).

Surface Installation

- Secure optional surface mount box (Part No. RFP8D) by angling screws through holes provided in rear of surface box into studs or finished surface.
- Position recess box into surface box and secure with four screws provided in parts bag of surface box.

Supply Wiring and Heater Installation

! NOTE: All wiring must comply with National Electrical Code and local codes.

- Insert approximately 15" (38cm) of supply wire into recess box through knockout provided in upper left hand corner (Figure 2b). Wire should be rated for a minimum of 75°C (167°F)
- Connect power supply to terminals provided marked L1 and L2. Ground wire should be secured to green ground screw provided on side of heater assembly (Figure 1).
- All units are factory prewired for operation with built-in thermostat. If remote thermostat operation is required follow appropriate wiring diagram located on inside of recess box.

! NOTE: It is recommended that for ceiling mount applications a remote thermostat be used in order to provide superior temperature control.

! NOTE: For applications where the unit is to operate at the lower wattage, see wiring diagram located on inside of the recess box for appropriate jumper to remove.

- Secure heater assembly into recess box using the four M4 screws previously removed.

Front Panel Installation

- Remove trim frame from front panel assembly. (Figure 3)
- If tamper proof built-in or remote thermostat operation is required, secure the louvered door to the front panel using 2 M3 screws (not included) through the holes provided. The knob can then be removed and adjustment of the thermostat can be made using a slotted screwdriver through the front panel.
- Check to see that the fan blade is free to turn and that no residue remains in the unit. Front panel can then be secured to assembly using four M4.8 x 37 screws provided.
- Replace Front Panel (Grille), see Figure 3.

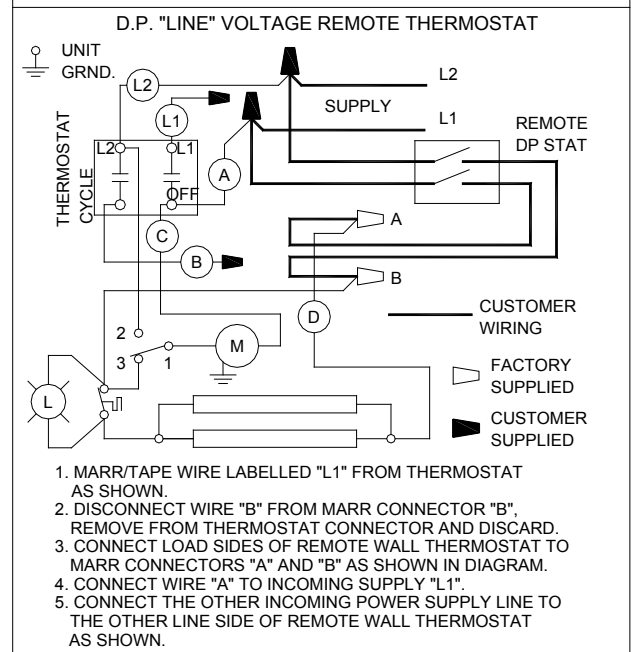
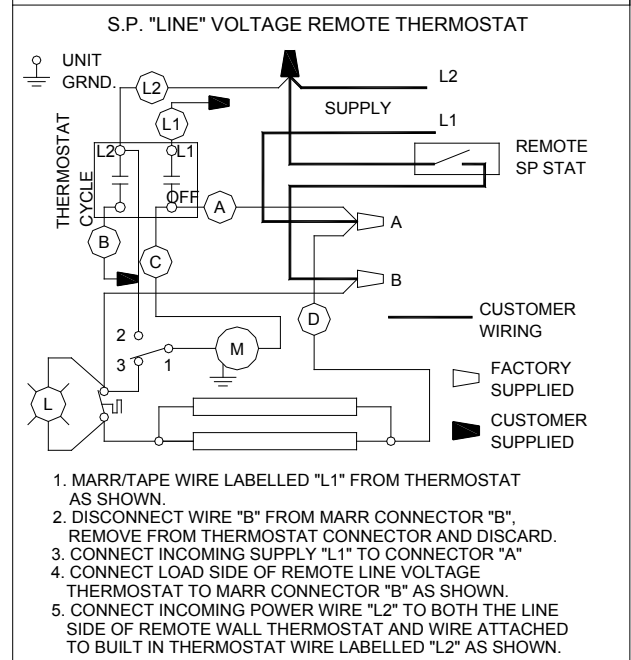
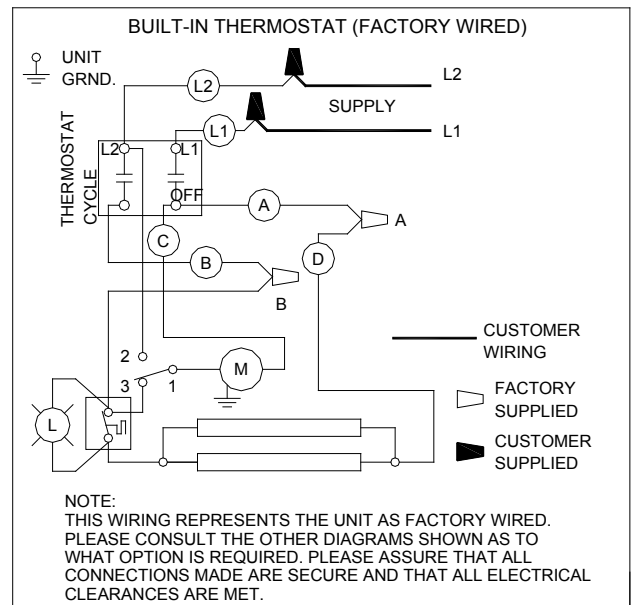
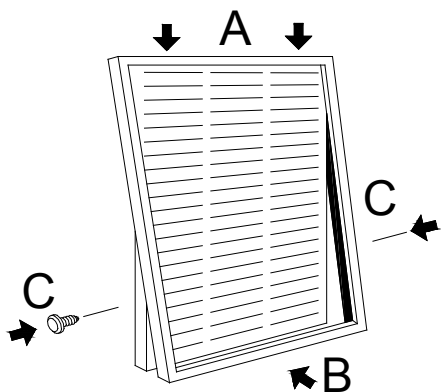


Figure 3



- (A) Place frame over top of tabs.
- (B) Push in at bottom until frame is flush with front panel.
- (C) Insert two screws to hold frame in place.

🔧 Operation and 🛠️ Maintenance

⚠️ WARNING: This heater must be properly installed before it is used.

⚠️ WARNING: Disconnect power and heater has cooled before attempting any maintenance or cleaning to reduce the risk of fire, electric shock or damage to persons.

! NOTE: This heater should not be operated with an accumulation of dust or dirt on or in the unit, as this can cause a build up of heat and eventual damage. For this reason the heater must be inspected regularly, depending upon conditions and at least at yearly intervals.

1. Set thermostat to desired temperature and both fan and heat should come on. Note that when desired temperature is reached the fan operation will continue for a short period after the elements have de-energized in order to remove residual heat from the unit.
2. The fan motor is permanently lubricated and sealed at the factory and is maintenance free.
3. It is suggested that at the beginning of each season the front panel is removed and the wire connection condition is checked and the unit is cleaned of dust and dirt with a vacuum cleaner.

⚠️ WARNING: Should the Over Temp light come on, disconnect power to the heater or turn down the thermostat fully counterclockwise and call a licensed electrician. **DO NOT USE HEATER UNTIL PROBLEM IS DETERMINED AND FIXED.**

✔️ Warranty

The Manufacturer warrants the heating elements and components of the enclosed product against any defect in material or workmanship for a period of one year from the date of purchase. In full satisfaction of any claims under this Warranty the Manufacturer will repair or replace without charge, in its factory or in the field as it alone may decide, any parts which in its opinion are defective.

The Manufacturer shall not be responsible for any transportation or shipping costs in relation to such repair or replacement except as specifically assumed by it. Misuse of this product or repairs by persons other than the Manufacturer's authorized personnel without the Manufacturer's written approval, will void this Warranty.

This Warranty is in lieu of all other warranties or conditions whether express or implied including but not limited to those of merchantability or fitness for purpose and shall constitute the sole remedy of the Purchaser and the sole liability of the Manufacturer in respect of the sale of the product, whether in the nature of breach or breach of fundamental term, or of negligence or otherwise.

The Manufacturer shall not be liable for any special, indirect or consequential damages or for any damages resulting from removal or replacement of a heater subject to warranty claim without the Manufacturer's authorization.

This Warranty is transferable by the original consumer purchaser of the product. Any claims under this Warranty must be submitted in writing to the Service Manager, Dimplex North America Ltd., 1367 Industrial Rd., Cambridge, Ontario N3H 4W3, Canada.

Dimplex®

1367 Industrial Road Cambridge ON Canada N3H 4W3
1-888-346-7539 • www.dimplex.com

In keeping with our policy of continuous product improvement, we reserve the right to make changes without notice.
© 2016 Dimplex North America Limited

