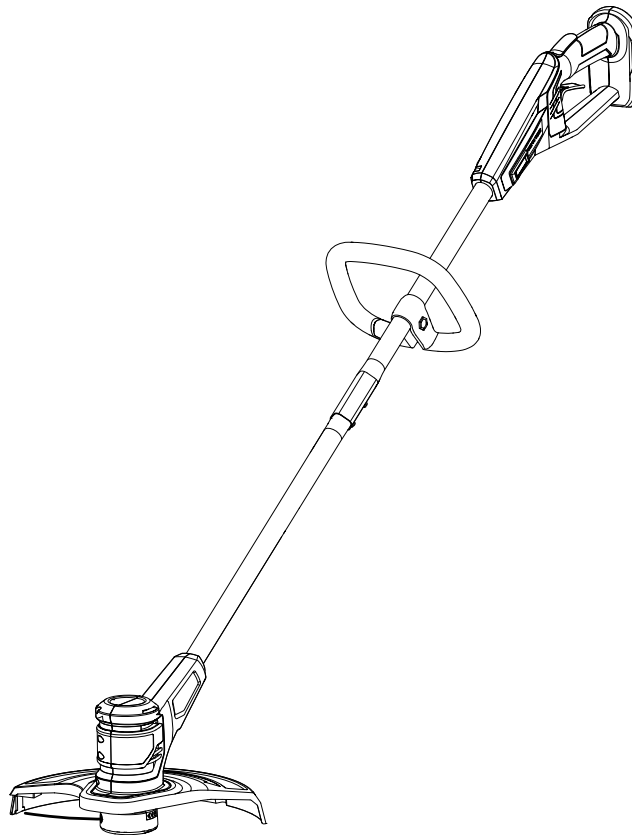


REPAIR SHEET

BRAND RYOBI		DESCRIPTION 18 Volt String Trimmer
MODEL NO. P20015VNM	MFG. NO. 108654001	



TTI OUTDOOR POWER EQUIPMENT, INC.

P.O. Box 1288, Anderson, SC 29622 ■ 1-800-525-2579 ■ www.ryobitools.com

2-11-22 (Rev:04)

The model number and manufacturing location will be found on a label attached to the product. Always mention this information in all communications regarding this product and when ordering parts.

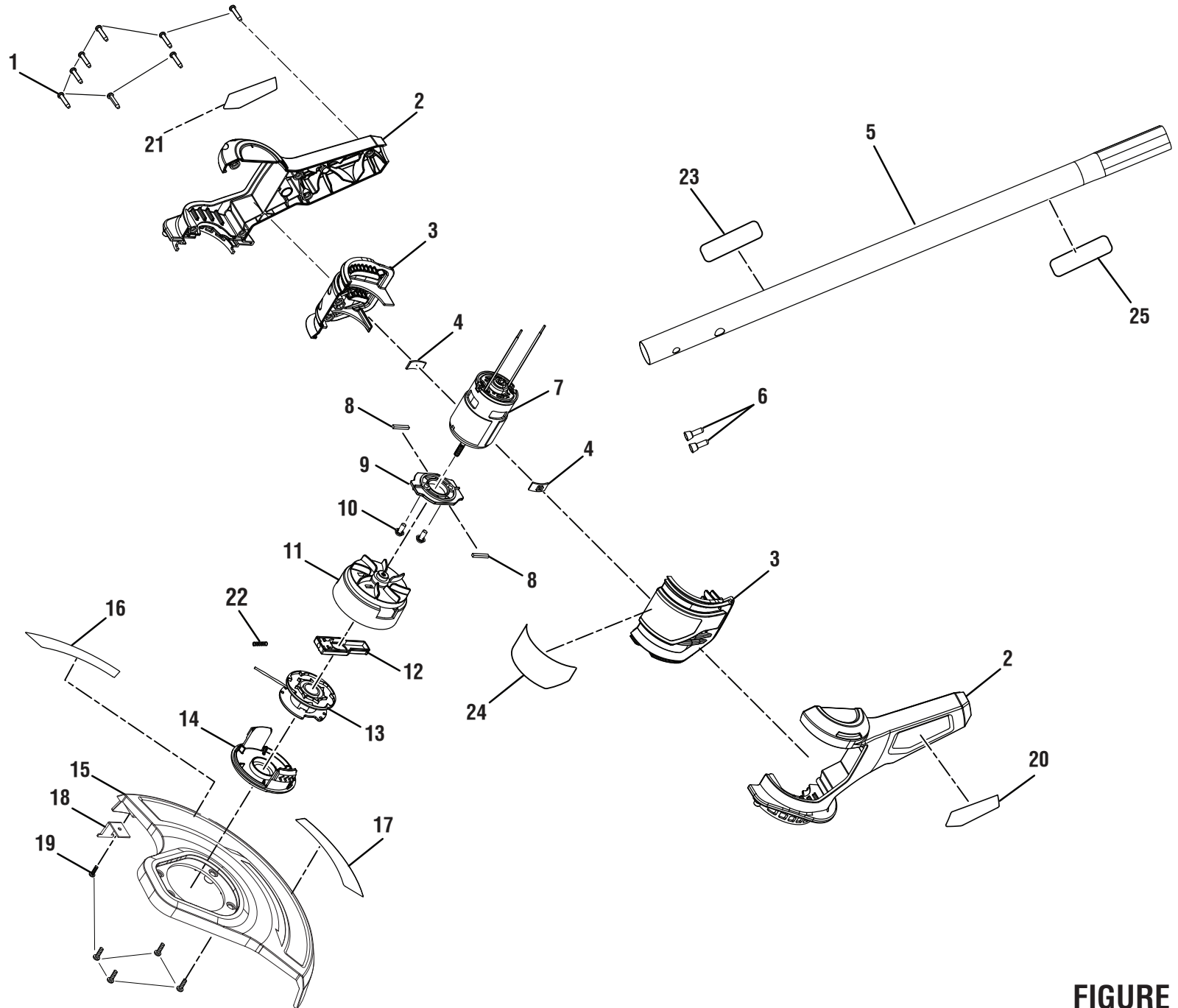


FIGURE A



P20015VNM

PARTS LIST – FIGURE A

KEY NO.	PART NO.	DESCRIPTION	QTY.
1	661864007	Screw (M4 x 18 mm, Torx. Hd.)	8
2	317086001	Motor Housing Assembly (Inc. Key Nos. 20-21)	1
3	317087001	Lower Housing Assembly (Inc. Key No. 24)	1
4	570815001	Motor Rubber Plate	2
5	317088001	Lower Tube Assembly (Inc. Key Nos. 23 & 25)	1
6	790009004	Wire Connector	2
7	742199001	Motor	1
8	562079003	Rubber Plate (Motor Plate)	2
9	522926001	Motor Mounting Plate	1
10	660502002	Screw w/Internal Tooth Washer (M5 x 11.1 mm)	2
11	524851002	Spool Base w/Fan	1
12	310920001	Slider Assembly	1
13	*	Spool w/Line Assembly	1
14	*	Spool Cap	1

KEY NO.	PART NO.	DESCRIPTION	QTY.
15	317089001	Guard Assembly (Inc. Key Nos. 16-19)	1
16	941588736	Adjustable Cut Label	1
17	941588737	Auto Feed String Head Label	1
18	638845006	Line Cut-Off Blade	1
19	660208055	Screw (M4 x 12 mm, Pan Hd.)	5
20	941705023	Left Side Motor Label	1
21	941588708	Data Label	1
22	679034001	Compression Spring	1
23	941588740	Lower Boom Lithium Label	1
24	941588738	Front Motor Label	1
25	941013005	Warning Label (FR/SP)	1
	Not Shown:		
	998000251	Operator's Manual	

* Standard Hardware Item – May Be Purchased Locally

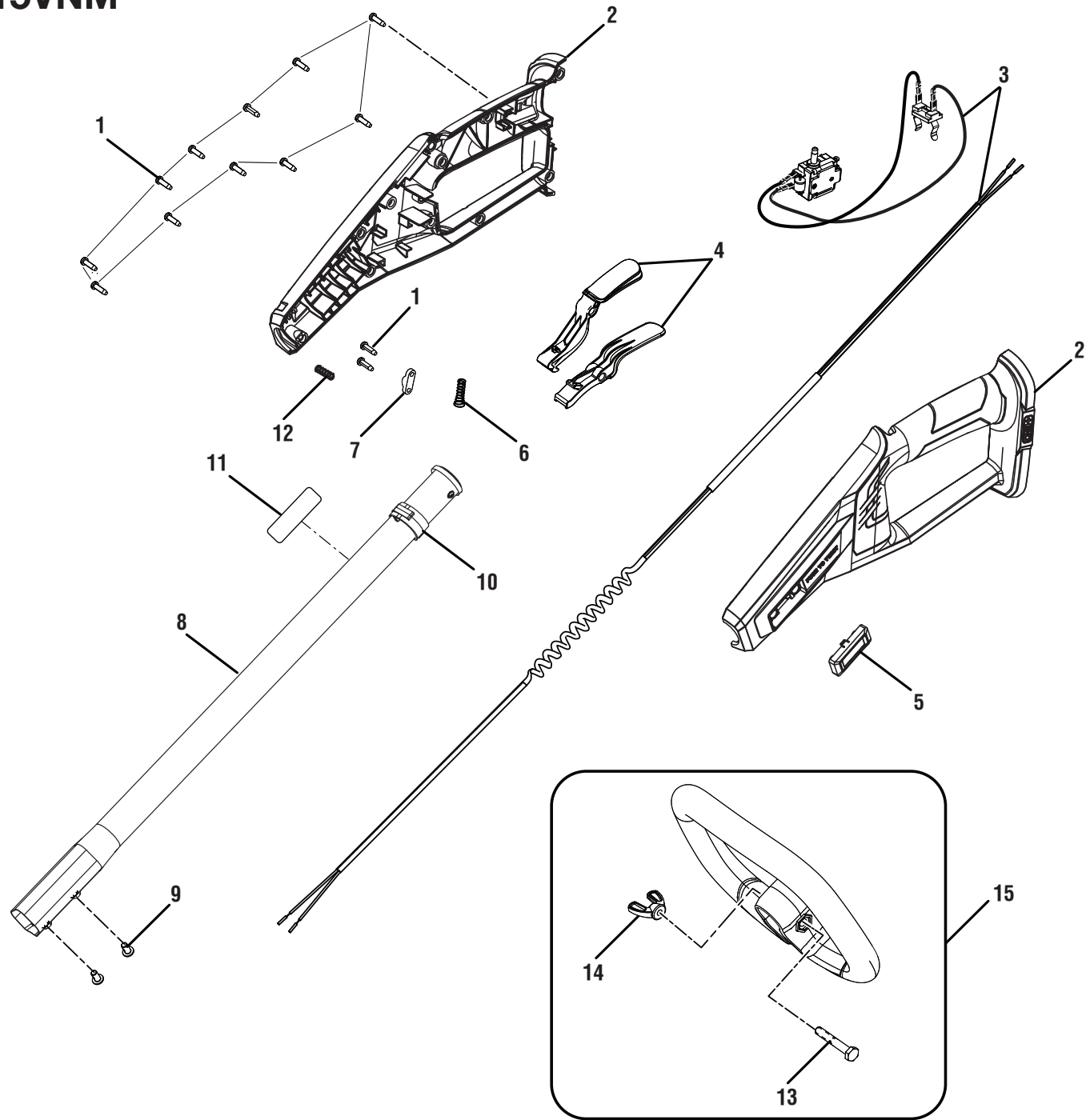


FIGURE B

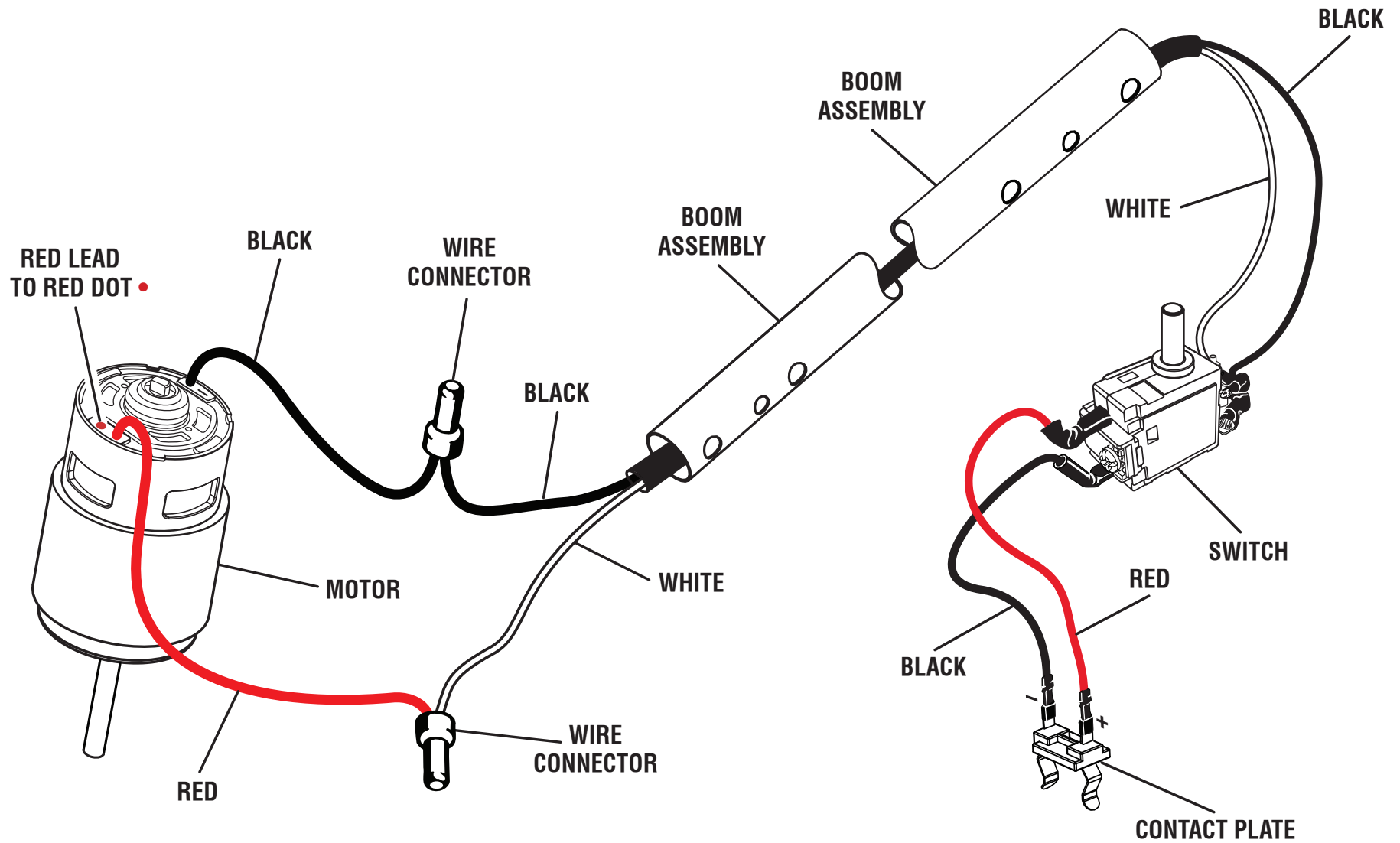


P20015VNM

PARTS LIST – FIGURE B

KEY NO.	PART NO.	DESCRIPTION	QTY.
1	661817001	Screw (M4 x 18 mm, Torx Socket Hd.)	13
2	313289002	Handle Housing Assembly	1
3	313290001	Switch, Contact Plate Assembly, and Wire Harness	1
4	351183001	Switch Trigger and Lock-Out Assembly	1
5	541909001	Rotate Button	1
6	679973001	Trigger Compression Spring	1
7	523001003	Wire Pressure Plate	1
8	317079001	Upper Tube Assembly (Inc. Key No. 11)	1

KEY NO.	PART NO.	DESCRIPTION	QTY.
9	660502002	Screw w/Internal Tooth Washer (M5 x 10.5 mm)	2
10	541911001	Lock Ring	1
11	940657185	Warning Icon Label	1
12	696008001	Spring	1
13	660643009	Screw (1/4-20 x 45 mm, Hex Cap Hd.)	1
14	518949001	Wing Nut (1/4-20)	1
15	308991006	Auxiliary Handle Assembly (Inc. Key Nos. 13-14)	1



WIRING DIAGRAM