

OPERATOR'S MANUAL

79 cc, 132 cc and 140 cc OHV Vertical Shaft Engines

English	Page 2
Spanish (Español)	Page 16
French (Français).....	Page 31

Record Product Information

Before setting up and operating your new engine, please locate the model plate and record the information in the provided area to the right. You can locate the model plate by standing at the operator's position and looking at the rear or right side of the engine. This information will be necessary, should you seek technical support via our web site, Customer Support Department, or with a local authorized service dealer.

Model Number

Serial Number

⚠ WARNING

Read and follow all safety rules and instructions in this manual before attempting to operate. Failure to comply with these instructions may result in personal injury - SAVE THESE INSTRUCTIONS.

⚠ WARNING

CALIFORNIA PROPOSITION 65

Engine exhaust, some of its constituents, and certain vehicle components contain or emit chemicals known to State of California to cause cancer and birth defects or other reproductive harm.

NOTE: This Operator's Manual covers several models. Features may vary by model. Not all features in this manual are applicable to all models and the model depicted may differ from yours.



SAFE OPERATION PRACTICES

WARNING



This symbol points out important safety instructions which, if not followed, could endanger the personal safety and/or property of yourself and others. Read and follow all instructions in this manual before attempting to operate. Failure to comply with these instructions may result in personal injury. When you see this symbol, **HEED ITS WARNING!**

DANGER

This engine was built to be operated according to the safe operation practices in this manual. As with any type of power equipment, carelessness or error on the part of the operator can result in serious injury. Failure to observe the following safety instructions could result in serious injury or death.

TRAINING

1. Read, understand and follow all warnings and instructions on the engine and the equipment, and in the operator's manuals before attempting to install and/or operate. Keep this manual in a safe place for future and regular reference and for ordering replacement parts.
2. Be familiar with all controls and their proper operation. Know how to stop the engine and disengage them quickly.
3. Never allow children under 14 years of age to operate the equipment. Children 14 and over should read and understand the warnings and instructions both on the product and in the manuals and be trained and supervised by an adult.
4. Never allow adults to operate the equipment without proper instruction.
5. Keep the area of operation clear of all persons, particularly small children and pets. Stop the engine if anyone enters the area.

PREPARATION

1. Wear sturdy, rough-soled work shoes and close fitting slacks and shirts. Loose fitting clothes or jewelry can be caught in the moving parts. Never operate the equipment in bare feet or sandals.
2. Disengage all powered clutch and drive control levers on the equipment before starting the engine.
3. Never leave the engine running while unattended.
4. Never attempt to make any adjustments while the engine is running, except where specifically recommended in the operator's manual(s).

SAFE HANDLING OF GASOLINE:

To avoid personal injury or property damage, use extreme care in handling gasoline. Gasoline is extremely flammable and the vapors are explosive. Serious personal injury can occur when gasoline is spilled on yourself and/or your clothes which can ignite. Wash your skin and change clothes immediately.

1. When adding fuel, turn engine OFF and let engine cool at least 5 minutes before removing the fuel cap.
2. Fill fuel tank outdoors or in well ventilated area.
3. Use only an approved fuel container.
4. Never fill containers inside a vehicle or on a truck or trailer bed with a plastic liner. Always place containers on the ground away from your vehicle before filling.
5. If possible, remove equipment from the truck or trailer and refuel it on the ground. If this is not possible, then refuel equipment on a trailer with a portable container, rather than from a fuel pump dispenser nozzle.
6. Keep the nozzle in contact with the rim of the fuel tank or container opening at all times until fueling is complete. Do not use a nozzle lock-open device.
7. Do not overfill fuel tank. Fill tank to full as indicated by the fuel level indicator installed inside the fuel tank to allow space for fuel expansion. On some models, a fuel level indicator may NOT be present, in this instance, fill the tank no more than 1/2 inch below the bottom of the filler neck to allow space for fuel expansion.
8. Replace fuel cap and tighten securely.
9. If fuel is spilled, wipe it off the engine and the equipment. Move equipment to another area and wait 5 minutes before starting the engine.
10. To reduce fire hazards, keep the engine and equipment free of grass, leaves or other debris build up. Clean up oil or fuel spillage and remove any fuel-soaked debris.
11. Keep fuel away from sparks, open flames, pilot lights, heat, and other ignition sources.

SAFE OPERATION PRACTICES

- Never fuel equipment indoors because flammable vapors will accumulate in the area.
- Extinguish all cigarettes, cigars, pipes, and other sources of ignition.
- Check fuel line, tank, cap, and fittings frequently for cracks or leaks. Replace if necessary.
- Maintain and replace safety and instruction labels as necessary.
- Always refer to the operator's manuals for important details if the equipment is to be stored for an extended period of time.
- If the fuel tank has to be drained, do this outdoors.
- Observe proper disposal laws and regulations for fuel, oil, etc. to protect the environment.

OPERATION

- When starting the engine, make sure spark plug, muffler, and fuel cap are in place.
- Do not crank engine with spark plug removed.
- If fuel is spilled, wipe it off the engine and the equipment. Move equipment to another area and wait 5 minutes before starting the engine.
- Allow engine and muffler to cool before touching.
- Keep small children away from hot or running engines. They are unaware of the dangers and can suffer burns from the engine and muffler.
- Remove any accumulated debris from the engine cylinder and muffler areas.
- Operate equipment with all shields and guards in place.
- Keep hands and feet away from rotating parts.
- Wear sturdy, rough-soled work shoes and close-fitting slacks and shirts. Loose fitting clothes, jewelry and long hair can be caught in moving parts. Shirts and pants that cover the arms and legs and steel-toed shoes are recommended.
- When starting the engine with the recoil starter, pull handle slowly until resistance is felt, then pull rapidly, repeat if necessary.
- Remove all equipment engine loads before starting engine.
- Direct coupled equipment components such as, but not limited to blades, impellers, pulleys, sprockets, etc., must be securely attached.

MAINTENANCE & STORAGE

- Keep the engine and equipment in safe working condition.
- Allow the engine to cool at least 5 minutes before storing equipment. Never tamper with safety devices. Check their proper operation regularly.
- Check bolts and screws for proper tightness at frequent intervals to keep the engine and equipment in safe working condition. Visually inspect them for any damage.
- Before cleaning, repairing or inspecting; stop the engine and make certain all moving parts have stopped. Disconnect the spark plug wire and ground it against the engine to prevent unintended starting.
- Do not change the engine governor settings or over-speed the engine. The governor controls the maximum safe operating speed of the engine.

DO NOT MODIFY ENGINE

To avoid serious injury or death, do not modify engine in any way. Tampering with the governor setting can lead to a runaway engine and cause it to operate at unsafe speeds. Never tamper with factory setting of engine governor.

NOTICE REGARDING EMISSIONS

Engines which are certified to comply with California and federal EPA emission regulations for SORE (Small Off Road Equipment) are certified to operate on regular unleaded gasoline, and may include the following emission control systems: Engine Modification (EM), Oxidizing Catalyst (OC), Secondary Air Injection (SAI) and Three Way Catalyst (TWC) if so equipped.

INTENDED USE:

The engine models listed on the cover of this manual are specifically designed and intended for use on designated outdoor power equipment only. The engine models listed also have been approved for use as replacement engines for products such as mowers, edgers and wheeled string trimmers. These engines are not approved for use in other applications. Engines used in non-approved applications or subjected to any modifications or misuse will void the engine warranty.

WARNING

Failure to use an engine as intended and as instructed may lead to property damage, personal injury or death.

ENGINE REPLACEMENT:

Please check your equipment specifications for important specific engine information, such as engine size (cc), type of shaft (horizontal or vertical) crank shaft dimensions, mounting bolt pattern, engine speed (rpm), oil capacity, fuel tank size, controls (throttle/choke), starting (recoil or electric), shut down capabilities, accessory wiring needs and other emission related specifications.

SAFE OPERATION PRACTICES

SPARK ARRESTOR

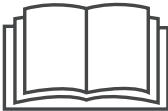




WARNING

Any equipment equipped with an internal combustion engine should not be used on or near any unimproved forest-covered, brush covered or grass-covered land unless the engine's exhaust system is equipped with a spark arrestor meeting applicable local or state laws (if any).

If a spark arrestor is used, it should be maintained in effective working order by the operator. In the State of California the above is required by law (Section 4442 of the California Public Resources Code). Other states may have similar laws. Federal laws apply on federal lands. A spark arrestor for the muffler is available through your nearest engine authorized service dealer or contact the service department, P.O. Box 361131 Cleveland, Ohio 44136-0019.

SAFETY SYMBOLS

This page depicts and describes safety symbols that may appear on the engine. Read, understand, and follow all warnings and instructions on the engine and equipment, along with the operator's manuals before attempting to install and/or operate.

Symbol	Description
	WARNING — READ THE OPERATOR'S MANUAL(S) Read, understand and follow all the safety rules and instructions in the manual(s) and on the equipment before attempting to operate. Failure to comply with this information may result in personal injury or death. Keep the manual(s) in a safe location for future and regular reference.
	DANGER — CARBON MONOXIDE Never run an engine indoors or in a poorly ventilated area. Engine exhaust contains carbon monoxide, an odorless and deadly gas.
	DANGER — ELECTRICAL SHOCK Do not use the engine's electric starter in the rain.
	WARNING—GASOLINE IS FLAMMABLE Allow the engine to cool at least 5 minutes before refueling.
	WARNING— AVOID BURN INJURY The muffler and engine become very hot and can cause serious burn injuries. Do not touch. Allow the equipment to cool for at least 5 minutes before storing or attempting any service.

WARNING

Your Responsibility—Restrict the use of the equipment to persons who read, understand and follow all warnings and instructions on the engine and the equipment, and in the operator's manuals. - **SAVE THESE INSTRUCTIONS!**

SET-UP

Fuel & Oil

NOTE: The engine is shipped without fuel or oil in the engine. Running the engine with insufficient oil can cause serious engine damage and void the engine warranty.

⚠ WARNING

Always keep hands and feet clear of equipment moving parts. Do not use a pressurized starting fluid. Vapors are flammable.

OIL RECOMMENDATIONS

Before starting engine, fill with motor oil, capacity is 600 ml/20 oz. Refer to viscosity chart in Figure 1 for oil recommendations. Do not over-fill. Use a 4-stroke, or an equivalent high detergent, premium quality motor oil certified to meet or exceed U.S. automobile manufacturer's requirements for service classification of a minimum level SJ (higher letter ratings are acceptable such as SL and SM grades). Motor oil will display this designation on the container.

SAE 10W-30 is recommended for general, all temperature use. If single viscosity oil is used, select the appropriate viscosity for the average temperature in your area from the chart below.

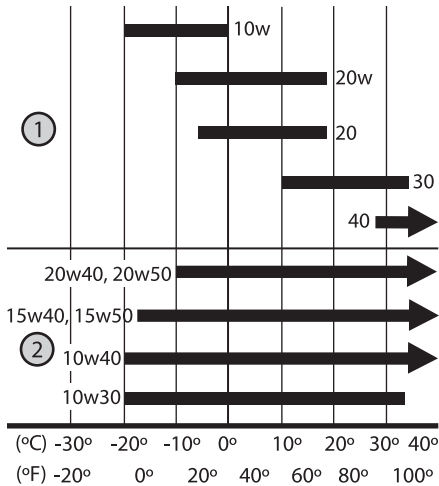


Figure 1

1. Single Viscosity
2. Multi Viscosity

⚠ CAUTION

Do not use non-detergent oil or 2-stroke engine oil. It could shorten the engine's service life.

NOTE: A 5w30 synthetic oil may be used to improve start ability for cold weather (temperatures below 40 °F).

CHECKING OIL LEVEL/ADDING OIL

IMPORTANT: Be sure to check the oil while on a level surface with the engine off.

NOTE: Your engine may be equipped with either a short or extended oil dipstick. Follow the appropriate instructions below for the engine on your unit.

To avoid engine damage, it is important to:

- Check oil level before each use and every 5 operating hours when engine is warm. Check oil level more frequently during engine break-in.
- Keep oil at the upper limit on the dipstick.
- Be sure oil fill cap is tightened securely when checking.

NOTE: Do not overfill. Overfilling with oil may cause smoking, hard starting, spark plug fouling, or oil saturation of air cleaner.

NOTE: To change the oil on your engine, see Oil Change on page 9.

SHORT DIPSTICK

1. Remove the oil fill cap and wipe the dipstick clean. See Figure 2 or Figure 3 depending on angle of the oil filler neck.
2. Insert the oil fill cap into the oil filler neck, but do not screw it in.

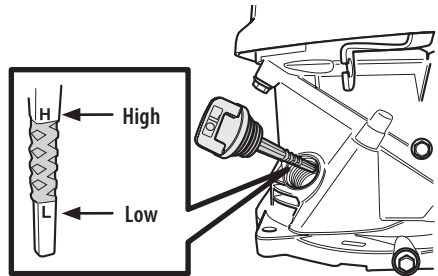


Figure 2

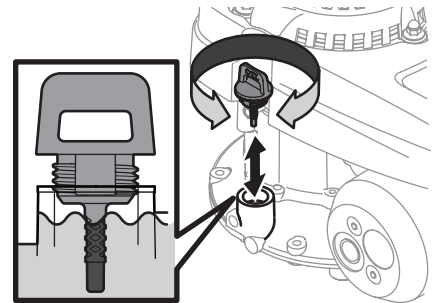


Figure 3

3. Perform one of the following:
 - Angled Oil Fill Neck (Figure 2) - Remove oil fill cap. If the level is low, slowly add oil until oil level registers between high (H) and low (L).

SET-UP

- Vertical Oil Filler Neck (Figure 3) - Remove the oil fill cap. If the level is low, slowly add oil to the upper limit on the dipstick.
4. Replace and tighten oil fill cap firmly before starting engine.

EXTENDED DIPSTICK

1. Remove the oil fill cap and wipe the dipstick clean (Figure 4).
2. Insert the oil fill cap into the oil fill neck and securely fasten.
3. Loosen and remove the oil fill cap from the oil fill neck. Note the oil level, if the level is low, slowly add oil until oil level registers between high (H) and low (L) (Figure 4 inset).
4. Replace the oil fill cap into the oil fill neck and securely fasten before starting engine.

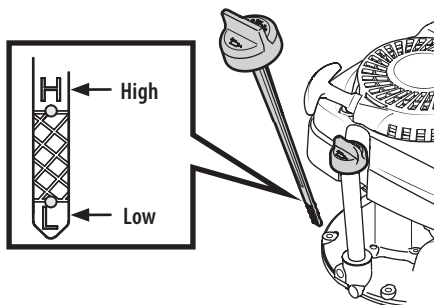


Figure 4

FUEL REQUIREMENTS

⚠ CAUTION

Operating the engine with E15 or E85 fuel, an oil/gasoline mixture, dirty gasoline, or **gasoline over 30 days old** without fuel stabilizing additive may result in damage to your engine's carburetor. Subsequent damage would **not** be covered under the manufacturer's warranty.

Use automotive gasoline (unleaded or low leaded to minimize combustion chamber deposits) with a minimum of 87 octane. Gasoline with up to 10% ethanol (E10) or 15% MTBE (Methyl Tertiary Butyl Ether) can be used. Never use an oil/gasoline mixture or dirty gasoline. Avoid getting dirt, dust, or water in the fuel tank. **DO NOT use E15 or E85 gasoline.**

⚠ WARNING

Gasoline is extremely flammable and is explosive under certain conditions.

- Refuel in a well-ventilated area with the engine off and allowed to cool. Do not smoke or allow flames or sparks in the area where the engine is refueled or where gasoline is stored.
- Do not overfill the fuel tank. After refueling, make sure the fuel cap is closed properly and securely.
- If fuel is spilled, wipe it off the engine and the equipment. Move equipment to another area and wait 5 minutes before starting the engine.
- Avoid repeated or prolonged contact with skin or breathing of vapor.

ADDING FUEL

⚠ WARNING

An adult should fuel this engine. NEVER allow children to refuel the engine. Gasoline (fuel) vapors are highly flammable and can explode. Fuel vapors can spread and be ignited by a spark or flame many feet away from engine. To prevent injury or death from fuel fires, follow these instructions:

NOTE: Some engines may not have the fuel cap installed for shipping purposes. To install, remove and discard the fuel tank dust cap labeled "Discard". Remove the bubble wrap packaging from around the fuel cap and tighten securely.

- DO NOT use leaded fuel.
- Fuel must be fresh and clean. NEVER use fuel left over from last season or stored for long periods.
- NEVER mix oil with fuel.
- DO NOT use fuel containing Methanol (Wood Alcohol).
- Fill fuel tank outdoors or in well ventilated area.

NOTE: Before refueling, allow engine to cool for at least 5 minutes.

1. Clean area around the fuel fill cap and remove the fuel cap.
2. Use an approved red GASOLINE container, add fuel slowly, being careful to avoid spilling. DO NOT overfill fuel tank.
3. Fill tank to full as indicated by the fuel level indicator inside the fuel tank if equipped or to no more than 1/2 inch below the bottom of the fill neck to allow space for fuel expansion.
4. Replace the fuel cap and tighten securely. Wipe up spilled fuel before starting engine. If fuel is spilled DO NOT start engine. Move machine away from area of spillage. Avoid creating any source of ignition until fuel vapors are gone.
5. Be sure fuel shut-off valve, if present, is in the "ON" position.

OPERATION

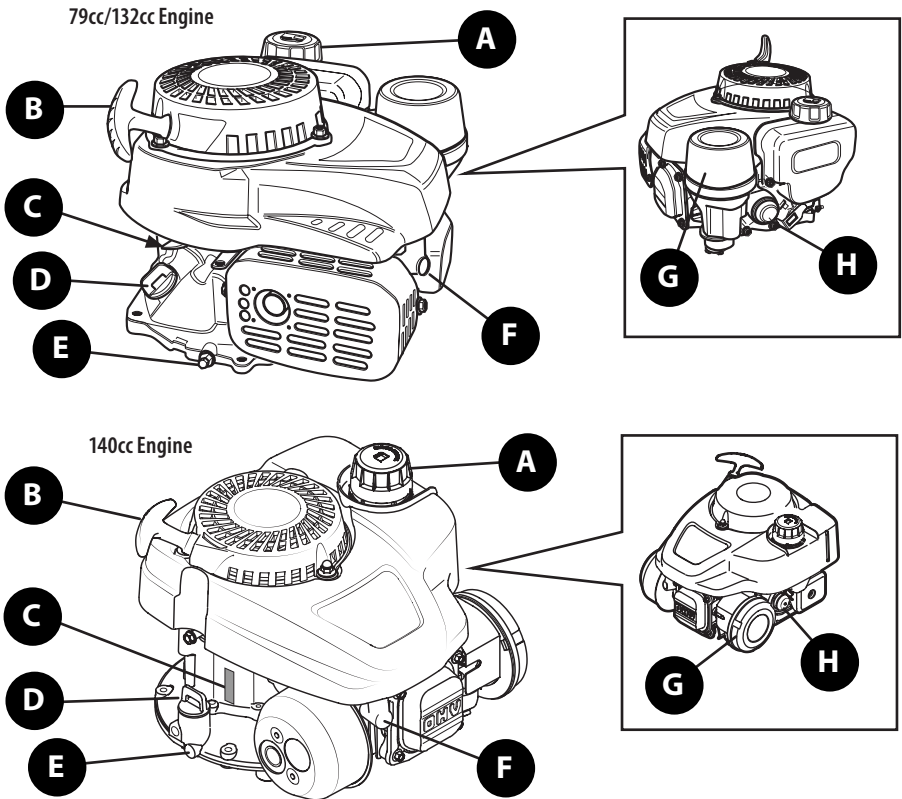


Figure 5

Features

A. FUEL CAP

Remove the fuel cap to add fuel.

NOTE: Some engines may not have the fuel cap installed for shipping purposes. To install, remove and discard the fuel tank dust cap labeled "Discard". Remove the bubble wrap packaging from around the fuel cap and tighten securely.

B. RECOIL STARTER HANDLE

Pull the recoil starter handle to start the engine.

C. MODEL PLATE

The model plate provides the model number and serial number of the engine. Record this information in the area provided on the cover of this manual. This information will be necessary for proper technical support.

D. OIL FILL CAP

Remove the oil fill cap to check the oil level and add oil (short dipstick shown).

E. OIL DRAIN PLUG

Removing the oil drain plug will drain the oil from the engine. The engine is equipped with a side drain.

NOTE: Select engines are equipped with an oil drain plug located on the rear of the engine.

F. SPARK PLUG

Refer Spark Plug Service on page 11.

G. AIR CLEANER

Refer to Air Filter Service on page 10.

H. PRIMER (IF EQUIPPED)

Pressing the primer forces fuel directly into the engine's carburetor to aid in starting the engine.



OPERATION

Pre-Operation Check

The engine is shipped without fuel or oil in the engine. See the Set-Up section of this manual for instructions on adding oil and fuel.

Determine The Starting System

Before starting the engine, you must determine the type of starting system that is on your engine. Your engine will have one of the following types:

- **Auto-Choke With Recoil:** This features an automatic choke that does not have a manual choke or primer.
- **Primer System:** This features a primer on the engine.

To start your engine, follow the instructions for your type of starting system.

NOTE: Equipment may have remote controls. See the equipment operator's manual for location and operation of remote controls.

Starting the Engine

⚠ WARNING

Always keep hands and feet clear of equipment moving parts. Do not use a pressurized starting fluid. Vapors are flammable.

AUTO-CHOKE WITH RECOIL

1. Standing behind the mower, pull the blade control handle back against the upper handle (Figure 6).
2. While holding the blade control handle and upper handle together firmly, pull the recoil starter handle lightly until resistance is felt, then pull rapidly to overcome compression, prevent kickback, and start the engine. Repeat if necessary.

IMPORTANT: Do not allow the recoil starter handle to snap back against the rope guide. Return it gently to prevent damage to the starter.

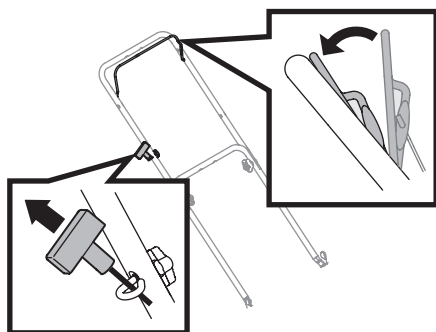


Figure 6

PRIMER SYSTEM

1. Push primer 3 times. Wait about two seconds between each push (Figure 7). In temperatures below 50°F, prime 5 times. After the engine is warmed up, one prime may be needed for all temperatures.
2. Standing behind the mower, squeeze and hold the blade control against upper handle.
3. Pull the recoil starter handle lightly until resistance is felt, then pull rapidly to overcome compression, prevent kickback, and start the engine (Figure 7). Repeat if necessary.

IMPORTANT: Do not allow the recoil starter handle to snap back against the rope guide. If engine does not start, it may be necessary to re-prime the engine.

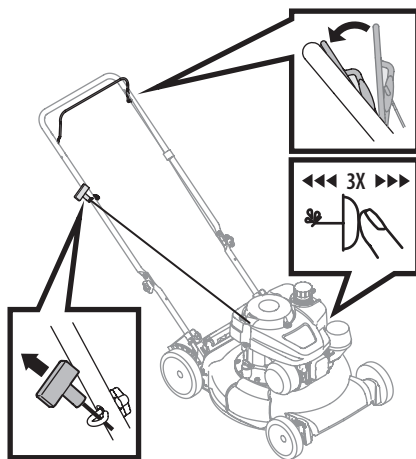


Figure 7

Stopping Engine

1. Release blade control or turn off the engine switch (if equipped).

SERVICE AND MAINTENANCE

⚠ WARNING

Shut off the engine before performing any maintenance. To prevent accidental start-up, remove safety key (if equipped), disconnect the spark plug wire and ground against the engine.

General Recommendations

If engine must be tipped to transport equipment, inspect or remove grass, keep spark plug side of engine up. Transporting or tipping engine spark plug down may cause smoking, hard starting, spark plug fouling, or oil saturation of air cleaner.

Periodic inspection and adjustment of the engine is essential to maintaining engine performance and service life.

Required service intervals and maintenance are described in the table below. Follow the hourly or calendar intervals as listed. More frequent service is required when operating in adverse conditions.

⚠ WARNING

If the engine has been running, the muffler will be very hot. Allow engine and muffler to cool before performing any maintenance.

Maintenance Schedule

Service	First 5 Hours	Each Use or Every 5 Hrs.	Every Season or 25 Hours	Every Season or 50 Hours	Every Season or 100 Hours	Service Dates
Check Engine Oil Level		✓				
Change Engine Oil *	✓			✓		
Check Air Cleaner		✓				
Service Air Cleaner **					✓	
Check Spark Plug			✓			
Replace Spark Plug					✓	
Clean Engine Shroud		✓				
Clean around muffler		✓				
Replace Fuel Filter					✓	

* Every season or 25 hours if operating under heavy load or high ambient temperature.

** Service more frequently when used in dusty areas.

Oil Service

- Check oil level regularly.
- Be sure correct oil level is maintained. Check every five hours or daily before starting engine. See Checking Oil Level/Adding Oil on page 5.

Oil Change

⚠ WARNING

Before tipping engine or equipment to drain oil, drain fuel from tank by running engine until fuel tank is empty.

IMPORTANT: Be sure to check engine on a level surface with the engine stopped. Drain the oil while the engine is still warm to assure rapid and complete draining.

1. Remove all fuel from tank by running engine until it stops from lack of fuel.

SERVICE AND MAINTENANCE

2. Remove oil drain plug (a) and allow oil to drain into a suitable container (Figure 8).

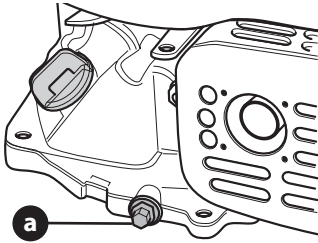


Figure 8

3. Reinstall the drain plug and tighten it securely.
4. Refill with the recommended oil and check the oil level. See Oil Recommendations and Checking Oil Level/Adding Oil on page 5.
5. Reinstall the oil fill cap securely.

IMPORTANT: Used motor oil may cause skin cancer if repeatedly left in contact with the skin for prolonged periods. Although this is unlikely unless you handle used oil on a daily basis, it is still advisable to thoroughly wash your hands with soap and water as soon as possible after handling used oil.

NOTE: Please dispose of used engine oil in a manner that is compatible with the environment. We suggest you take it in a sealed container to your local service station or auto parts store for recycling. Do not throw it in the trash or pour it on the ground.

Air Filter Service

⚠ WARNING

Never use gasoline or low flash point solvents for cleaning the air filter element. A fire or explosion could result.

IMPORTANT: Never run the engine without the air filter. Rapid engine wear will result.

NOTE: Engines with the primer starting system are equipped with a foam air filter element. Those with the auto-choke system have a paper element. Follow the applicable service instructions below.

FOAM FILTER

1. Turn the air filter cover counter-clockwise and lift up (79cc and 132cc, Figure 10) or pull away from the filter base (140cc, Figure 11).
2. Remove air filter from air filter base.
3. Clean foam element or replace when damaged.

4. To clean foam element, wash in mild liquid detergent and water. Squeeze or press the foam element to rinse out dirt and water. Do not twist, this could damage or tear the foam element. Allow to dry thoroughly before using. OIL the foam element with a light engine oil.
5. Reverse STEPS 1-2 to reinstall the air filter.

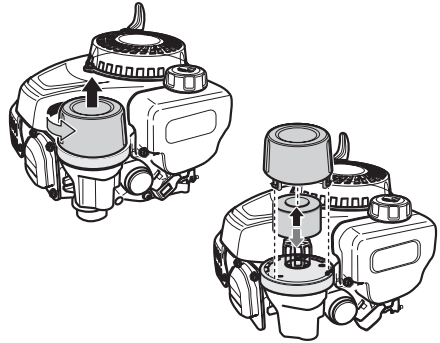


Figure 10

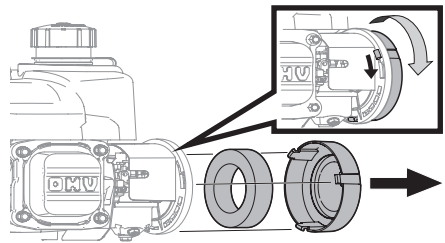


Figure 11

PAPER FILTER

1. Turn the air filter cover counter-clockwise and lift up (79cc and 132cc, Figure 12) or pull away from the filter base (140cc, Figure 13).
2. Remove air filter from air filter base.

NOTE: Paper filters cannot be cleaned and must be replaced once a year or every 100 operating hours; more often if used in extremely dusty conditions.
3. Discard the existing air filter.
4. Reverse STEPS 1-2 to install new air filter.

SERVICE AND MAINTENANCE

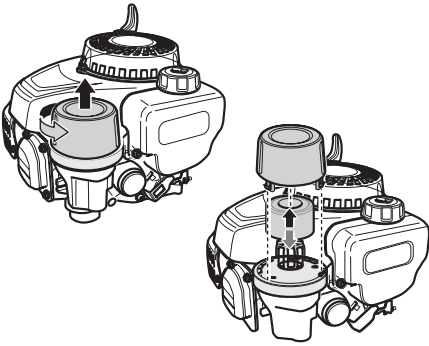


Figure 12

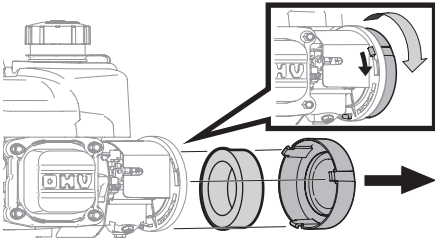


Figure 13

Spark Plug Service

⚠ WARNING

If the engine has been running, the muffler will be very hot. Allow engine and muffler to cool before performing any maintenance.

⚠ WARNING

DO NOT check for spark with spark plug removed. DO NOT crank engine with spark plug removed.

To ensure proper engine operation, the spark plug must be properly gapped and free of deposits.

1. Remove the spark plug boot (a) and use a spark plug wrench to remove the spark plug (b) (Figure 14).

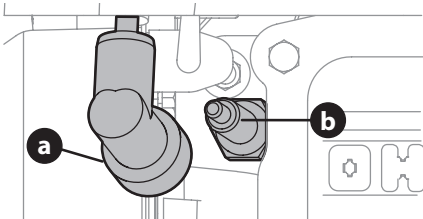


Figure 14

2. Visually inspect the spark plug. Discard the spark plug if there is apparent wear, or if the insulator is cracked or chipped. Clean the spark plug with a wire brush if it is to be reused.
3. Measure the plug gap with a feeler gauge. Correct as necessary by bending side electrode (c) (Figure 15). The gap should be set to 0.030 in (0.76mm).

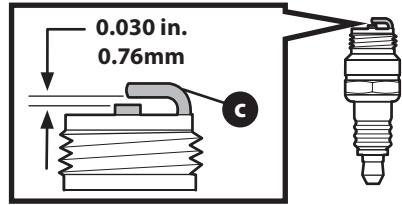


Figure 15

4. Check that the spark plug washer is in good condition and thread the spark plug in by hand to prevent cross-threading.
5. After the spark plug is seated, tighten with a spark plug wrench to compress the washer.

NOTE: When installing a new spark plug, tighten 1/2 turn after the spark plug seats to compress the washer. When reinstalling a used spark plug, tighten 1/8-1/4 turn after the spark plug seats to compress the washer.

IMPORTANT: The spark plug must be securely tightened. An improperly tightened spark plug can become very hot and may damage the engine.

Fuel Filter Service

The fuel filter cannot be cleaned and must be replaced once a year or every 100 operating hours; more often if run with old gasoline.

1. Remove all fuel from fuel tank by running engine until it stops from lack of fuel.
2. Remove hose clamp from fuel line and remove fuel line from tank outlet (Figure 16).

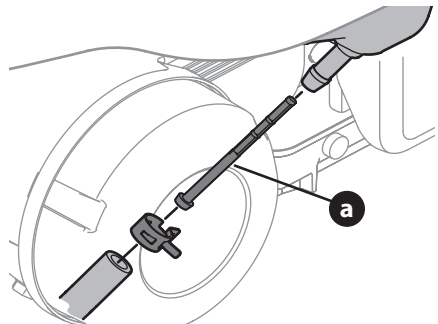


Figure 16

SERVICE AND MAINTENANCE

3. Pull out old fuel filter from tank outlet. Replace when dirty or damaged.
4. Grasp new fuel filter from shouldered end and insert it completely to the shoulder into the fuel tank outlet (Figure 16).
5. Replace fuel line and hose clamp.

Clean Engine

If the engine has been running, allow it to cool for at least half an hour before cleaning. Periodically remove dirt build-up from engine. Clean finger guard and around muffler. Clean with a brush or compressed air.

IMPORTANT: Do not spray engine with water to clean because water could contaminate fuel. Using a garden hose or pressure washing equipment can also force water into the air cleaner or muffler opening. Water in the air cleaner will soak the paper element, and water that passes through the element or muffler can enter the cylinder, causing damage.

⚠ WARNING

Accumulation of debris around muffler could cause a fire. Inspect and clean before every use.

Storage

⚠ CAUTION

Failure to use a fuel stabilizing additive or completely run the engine until it's out of fuel before off-season storage may result in damage to your engine's carburetor. Subsequent damage would **not** be covered under the manufacturer's warranty.

Fuel that will be stored longer than 30 days needs to be pre-treated upon purchase with fuel stabilizer to prevent gum and varnish from forming in the engines fuel and intake system. Improper fuel storage can result in hard starting, no starting, stalling and poor performance. If the fuel in your engine deteriorates during storage, you may need to have the carburetor, and other fuel system components, serviced or replaced.

1. Remove all fuel from fuel tank by running engine until it stops from lack of fuel.

⚠ WARNING

Never leave engine unattended while running.

2. Change oil. See Oil Change on page 9.
3. Remove spark plug and pour about 1/2 an ounce of engine oil into cylinder. Replace spark plug and crank slowly to distribute oil.
4. Clean debris from around engine, under finger guard, and under, around and behind muffler. Touch up any damaged paint, and coat other areas that may rust with a light film of oil.
5. Store in a clean, dry and well ventilated area away from any appliance that operates with a flame or pilot light, such as a furnace, water heater, or clothes dryer. Also avoid any area with a spark producing electric motor, or where power tools are operated.
6. If possible, also avoid storage areas with high humidity, because that promotes rust and corrosion.
7. Keep the engine level in storage. Tilting can cause fuel or oil leakage.

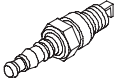

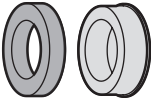
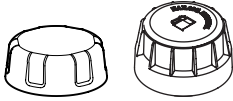

Removing From Storage

1. Check your engine as described in Pre-Operation Check on page 8.
2. If the fuel was drained during storage preparation, fill the fuel tank with fresh fuel. If you keep a container of gasoline for refueling, make certain it contains only fresh fuel. Gasoline oxidizes and deteriorates over time, causing hard starting.
3. If the cylinder was coated with oil during storage preparation, the engine will smoke briefly at startup. This is normal.

TROUBLESHOOTING

Problem	Cause	Remedy
Engine Fails to start	<ol style="list-style-type: none"> 1. Blade control disengaged (lawn mower only). 2. Spark plug boot disconnected. 3. Fuel tank empty or stale fuel. 4. Fuel shut-off valve closed (if equipped). 5. Engine not primed (if equipped with primer). 6. Faulty spark plug. 7. Reduced fuel flow/Blocked fuel filter. 8. Engine flooded. 9. Engine not choked (if equipped with choke). 	<ol style="list-style-type: none"> 1. Engage blade control. 2. Connect wire to spark boot. 3. Fill tank with clean, fresh gasoline. 4. Turn on fuel shut-off valve. 5. Prime engine as instructed in the Operation section. 6. Clean, adjust gap, or replace. 7. Replace fuel filter as instructed in the Maintenance section. 8. Wait a few minutes to restart, but do not prime. 9. Choke engine.
Engine runs erratic	<ol style="list-style-type: none"> 1. Spark plug boot loose. 2. Reduced fuel flow/Blocked fuel filter. 3. Vent in gas cap plugged (if equipped). 4. Water or dirt in fuel system. 5. Dirty air cleaner. 6. Unit running with CHOKE (if equipped) applied. 	<ol style="list-style-type: none"> 1. Connect and tighten spark plug boot. 2. Replace fuel filter as instructed in the Service and Maintenance section. 3. Clear vent. 4. If necessary use fuel siphon to drain fuel tank. Refill with fresh fuel. 5. Refer to Service and Maintenance section. 6. Push CHOKE knob in.
Engine overheats	<ol style="list-style-type: none"> 1. Engine oil level low. 2. Air flow restricted. 	<ol style="list-style-type: none"> 1. Fill crankcase with proper oil. 2. Clean area around and on top of engine.
Occasional skips (hesitates) at high speed	<ol style="list-style-type: none"> 1. Spark plug gap too close. 	<ol style="list-style-type: none"> 1. Adjust gap to .030".
Idles poorly	<ol style="list-style-type: none"> 1. Spark plug fouled, faulty, or gap too wide. 2. Dirty air cleaner. 	<ol style="list-style-type: none"> 1. Reset gap to .030" or replace spark plug. 2. Refer to Service and Maintenance section.

REPLACEMENT PARTS

Component	Part Number and Description
	951-10292 Spark Plug (79 cc) 951-14437 Spark Plug (132 cc, 140 cc)
	951-15137 Air Cleaner - Foam (79 cc, 132 cc) 951-15757 Air Cleaner - Paper (79 cc, 132 cc)
	951-14627 Air Cleaner - Foam (140 cc) 951-14628 Air Cleaner - Paper (140 cc)
	951-05182 Fuel Cap Assembly (79 cc) 751-15255 Fuel Cap Assembly (132 cc, 140 cc)
	951-12296 Fuel Filter



THE EZ START PROMISE

PROVISIONS OF YOUR LIMITED WARRANTY

In addition to the other terms and conditions of the Limited Warranty applicable to your new mower, MTD LLC ("MTD") hereby warrants that your mower's engine will start on the first or second attempt by an able-bodied adult (subject to the limitations described below) for the duration of the manufacturer's limited warranty applicable to your product. If the engine on your mower fails to conform to this limited warranty, MTD will cover the cost of parts and labor associated with any adjustments and/or repairs necessary to return your engine to its warranted condition. In order to make a claim under these provisions of your warranty, you must bring the product and proof of purchase to an authorized MTD service provider. In many cases, the retailer who sold you your mower is not equipped to provide warranty service, so please locate the authorized service dealer nearest you by either calling the phone number provided in your Operators Manual or looking up an authorized service dealer on-line at www.mtdproducts.com.

ITEMS AND CONDITIONS NOT COVERED

The EZ Start Promise does not cover and/or apply to the following:

- Cost of regular maintenance service or parts, such as filters, fuel, lubricants, oil changes, spark plugs, air filter, blade sharpening, worn blades, cable/linkage adjustments, or brake and clutch adjustments
- Transportation costs to and from an authorized MTD service provider
- Any engine used for commercial, rental, institutional, governmental, or non-residential applications
- Any product or part that has been altered or misused or required replacement or repair due to misuse, accidents, or lack of proper maintenance
- Repairs necessary due to improper battery care, electrical supply irregularities, or failure to properly prepare the mower prior to any period of non-use over three months
- Pickup and/or delivery charges
- Operational misuse, neglect, accidents, unauthorized repairs or attempted repairs of the engine or its components by anyone other than an authorized MTD service provider.

- Repairs or adjustments to correct starting difficulties due to any of the following: failure to follow proper maintenance procedures — rotary mower blade striking an object — contaminants in the fuel system — improper fuel or fuel/oil mixture (consult your Operator's Manual if in doubt) — failure to drain the fuel system prior to any period of non-use over three months.
- Any starting problem which results from the use of inappropriate fuels, lubricants, or additives.
- Special conditions or circumstances that normally require more than two pulls to start, specifically: 1) First start-up following your initial purchase, 2) first time starts after extended period(s) of non-use over one month or seasonal storage, 3) cool temperature starts such as those found in early spring and late autumn, and 4) difficult starting that results from the operator's failure to follow the proper starting procedures identified in the Operator's Manual. If you are having difficulty starting your unit, please check the Operator's Manual to ensure that you are using the correct starting procedures. This can save an unnecessary visit to a Service Dealer.

OWNER RESPONSIBILITIES

You must maintain your mower (including its engine) by following the maintenance procedures and starting instructions described in the Operator's Manual. Such routine maintenance, whether performed by a dealer or by you, is at your expense. In addition, please retain your proof of purchase and service receipts as these may be required to validate a claim.

GENERAL CONDITIONS

An authorized MTD service provider using approved replacement parts must perform all repairs covered by the EZ Start Promise. Repair by an MTD authorized service dealer is your sole remedy under this warranty. MTD is not liable for indirect, incidental, or consequential damages in connection with the use of the products covered by these warranties, including any cost or expense of providing substitute equipment or service during reasonable periods of malfunction or non-use pending completion of repairs under this warranty.

Some states do not allow exclusions of incidental or consequential damages, or limitations on how long an implied warranty lasts, so certain exclusions and limitations may not apply to you.

MANUAL DEL OPERADOR

Motor de 79 cc, 132 cc & 140 cc con eje vertical y válvulas en cabeza

Inglés (English)	Página 2
Spanish (Español)	Página 16
French (Français).....	Página 31

Registro de Información del Producto

Antes de configurar y hacer funcionar su nuevo motor, por favor localice la placa de modelo y registre la información en el espacio de la derecha. Podrá localizar la placa de modelo desde la posición del operador mirando la parte posterior o el lado derecho del motor. Necesitará esta información si tiene que solicitar soporte técnico a través de nuestro sitio web, el Departamento de Atención al Cliente, o de un distribuidor local de servicio autorizado.

Número de modelo

Número de serie

⚠ ADVERTENCIA

Lea y cumpla todas las reglas e instrucciones de seguridad de este manual antes de intentar operar esta máquina. Si no sigue estas instrucciones, se pueden provocar lesiones personales - GUARDE ESTAS INSTRUCCIONES.

⚠ ADVERTENCIA

PROPOSICIÓN 65 DE CALIFORNIA

El escape del motor, algunos de sus elementos y ciertos componentes del vehículo contienen o emiten productos químicos que el estado de California considera que pueden producir cáncer, defectos de nacimiento y otros problemas reproductivos.

NOTA: Este Manual del Operador corresponde a varios modelos. Las características pueden variar según los modelos. No todas las características que se incluyen en este manual se aplican a todos los modelos y el modelo que se ilustra aquí puede diferir del suyo.

PRÁCTICAS DE OPERACIÓN SEGURAS

⚠ ADVERTENCIA



Este símbolo indica instrucciones de seguridad importantes que, de no seguirse, pueden poner en peligro su seguridad personal y/o material y la de otras personas. Lea y cumpla todas las instrucciones de este manual antes de intentar hacer funcionar este producto. Si no sigue estas instrucciones, se pueden provocar lesiones personales. Cuando vea este símbolo, ¡PRESTE ATENCIÓN A LA ADVERTENCIA!

⚠ PELIGRO

Este motor está diseñado para ser utilizado respetando las prácticas de operación seguras contenidas en este manual. Al igual que con cualquier tipo de equipo motorizado, un descuido o error por parte del operador puede producir lesiones graves. De no respetar las instrucciones de seguridad siguientes, se pueden ocasionar lesiones graves o la muerte.

CAPACITACIÓN

1. Lea, entienda y cumpla todas las advertencias e instrucciones incluidas en el motor y el equipo, y en los manuales del operador antes de intentar instalarlo y/o utilizarlo. Guarde este manual en un lugar seguro para consultas futuras y periódicas, así como para solicitar repuestos.
2. Familiarícese con todos los controles y su correcto funcionamiento. Sepa cómo detener el motor y desactivar los controles rápidamente.
3. No permita nunca que los niños menores de 14 años hagan funcionar el equipo. Los niños de 14 años en adelante deben leer y entender las advertencias e instrucciones que figuran tanto sobre el producto como en los manuales, y deben ser entrenados y supervisados por un adulto.
4. Nunca permita que los adultos operen el equipo sin recibir antes la instrucción apropiada.
5. Mantenga el área de operación despejada de personas, especialmente niños pequeños y mascotas. Detenga el motor si alguien entra en la zona.

PREPARATIVOS

1. Utilice zapatos de trabajo resistentes, de suela fuerte, así como pantalones y camisas ajustados. Las prendas sueltas y las alhajas se pueden enganchar en las piezas móviles. Nunca haga funcionar el equipo estando descalzo o con sandalias.
2. Desengrane todas las palancas de control de embrague y transmisión del equipo antes de encender el motor.
3. Nunca deje el motor en marcha sin vigilancia.
4. Nunca intente realizar ajustes mientras el motor está en marcha, excepto en los casos específicamente recomendados en el manual del operador.

MANEJO SEGURO DE LA GASOLINA:

Para evitar lesiones personales o daños materiales sea sumamente cuidadoso al manipular la gasolina. La gasolina es sumamente inflamable y sus vapores son explosivos. Si se derrama gasolina encima y/o sobre la ropa se puede lesionar gravemente ya que se puede prender fuego. Lávese la piel y cámbiese de ropa de inmediato.

1. Cuando agregue combustible, APAGUE el motor y déjelo enfriar por lo menos 5 minutos antes de sacar la tapa del combustible.
2. Llene el tanque de combustible al aire libre o en un área bien ventilada.

3. Utilice solo un recipiente para combustible autorizado.
4. Nunca llene los recipientes en el interior de un vehículo o sobre un camión o caja de remolque con un recubrimiento plástico. Siempre ubique los recipientes en el piso, lejos del vehículo antes de llenarlos.
5. Si es posible, retire el equipo del camión o remolque y llénelo en el suelo. Si esto no es posible, recargue combustible sobre un remolque con un recipiente portátil, en lugar de una boquilla dosificadora de bomba de combustible.
6. En todo momento, mantenga el pico en contacto con el borde del depósito de combustible o con la boca del recipiente, hasta terminar la carga. No utilice un dispositivo de bloqueo/apertura de boquilla.
7. No llene en exceso el depósito de combustible. Llene el depósito hasta la marca del indicador de nivel de combustible que está dentro del depósito de combustible para dejar espacio para la expansión del combustible. Algunos modelos podrían NO tener un indicador de nivel de combustible; en este caso, llene el depósito no más de 1/2 pulgada por debajo de la base del cuello de llenado para dejar lugar para la expansión del combustible.
8. Vuelva a colocar la tapa del combustible y ajústela bien.
9. Limpie el combustible que se pueda haber derramado sobre el motor y el equipo. Traslade el equipo a otro lugar y espere 5 minutos antes de encender el motor.
10. Para evitar peligros de incendio, mantenga el motor y el equipo libres de césped, hojas u otras acumulaciones de residuos. Limpie cualquier derrame de aceite o combustible y retire lo que haya quedado empapado de combustible.
11. Mantenga el combustible alejado de chispas, llamas expuestas, llamas piloto, calor, y otras fuentes de ignición.
12. Nunca cargue combustible al equipo en interiores porque se acumularán vapores inflamables en el área.
13. Apague todos los cigarrillos, cigarras, pipas y otras fuentes de ignición.
14. Verifique frecuentemente la línea de combustible, el depósito, el tapón y los accesorios para ver si hay rajaduras o pérdidas. Reemplace cuando sea necesario.

PRÁCTICAS DE OPERACIÓN SEGURAS

FUNCIONAMIENTO

1. Al arrancar el motor, asegúrese de que la bujía, el silenciador y la tapa del combustible están en su lugar.
2. No dé arranque al motor si no está la bujía de encendido.
3. Limpie el combustible que se pueda haber derramado sobre el motor y el equipo. Traslade el equipo a otro lugar y espere 5 minutos antes de encender el motor.
4. Deje que el motor y el silenciador se enfríen antes de tocarlos.
5. Mantenga a los niños pequeños alejados de motores calientes o en funcionamiento. Ellos no son conscientes de los peligros y podrían sufrir quemaduras por contacto con el motor y silenciador.
6. Extraiga los desperdicios acumulados en el cilindro del motor y silenciador.
7. Haga funcionar el equipo con todos los protectores colocados.
8. Mantenga las manos y los pies alejados de las piezas giratorias.
9. Utilice zapatos de trabajo resistentes, de suela fuerte, y pantalones y camisas ajustados. Las ropas sueltas, las alhajas y el cabello largo pueden engancharse en las piezas móviles. Se recomienda vestir camisas y pantalones que cubran brazos y piernas y usar zapatos con puntera de acero.
10. Cuando encienda el motor con el arrancador de retroceso, tire de la manija lentamente hasta que sienta resistencia, y luego tire rápidamente; repita si fuera necesario.
11. Antes de arrancar el motor, retire todas las cargas que pueda haber sobre el motor/equipo.
12. Los componentes del equipo acoplados directamente, tales como por ejemplo, cuchillas, rotores, poleas, ruedas dentadas, etc., deben estar firmemente conectados.

MANTENIMIENTO Y ALMACENAMIENTO

1. Mantenga el motor y el equipo en condiciones seguras de funcionamiento.
2. Deje que motor se enfríe por lo menos 5 minutos antes de almacenar el equipo. Nunca intente alterar los dispositivos de seguridad. Compruebe regularmente que funcionen correctamente.
3. Controle frecuentemente que todos los pernos y tornillos estén bien ajustados para mantener el motor y el equipo en condiciones seguras de funcionamiento. Inspecciónelos visualmente para determinar si hay daños.
4. Antes de limpiar, reparar o revisar el motor, deténgalo y asegúrese que todas las partes móviles se hayan detenido. Desconecte el cable de la bujía y póngalo haciendo masa contra el motor para evitar que se encienda accidentalmente.
5. No cambie la configuración del regulador del motor ni acelere demasiado el motor. El regulador del motor controla la velocidad máxima de funcionamiento seguro del motor.
6. Mantenga o reemplace las etiquetas de seguridad e instrucciones según sea necesario.
7. Consulte siempre el manual del operador para conocer información importante relativa al almacenamiento del equipo durante un plazo prolongado.

8. Si el tanque de combustible debe drenarse, hágalo al aire libre.
9. Respete las normas y reglamentaciones sobre la manera correcta de eliminar combustible, aceite, etc. para proteger el medio ambiente.

NO MODIFIQUE EL MOTOR

Para evitar lesiones graves o la muerte, no modifique el motor de ninguna manera. La manipulación del ajuste del regulador puede modificar la regulación del motor y hacer que éste funcione a velocidades inseguras. Nunca modifique el ajuste de fábrica del regulador del motor.

AVISO SOBRE LAS EMISIONES DEL MOTOR

Los motores tienen la certificación de cumplimiento de las reglamentaciones sobre emisiones de EPA federales y de California para SORE (equipo pequeño para uso fuera de carreteras), funcionan con gasolina normal sin plomo y pueden incluir los siguientes sistemas de control de emisiones: Modificación de motor (EM), catalizador oxidante (OC), inyección de aire secundaria (SAI) y catalizador de tres vías (TWC) si están instalados.

USO PREVISTO:

Los modelos de motor que figuran en la tapa de este manual están específicamente diseñados y previstos para usar únicamente en equipos eléctricos para exteriores. Los modelos de motor indicados también han sido aprobados para usarlos como motores de repuesto para productos tales como cortadoras, bordeadoras y orilladoras con ruedas. El uso de estos motores en otras aplicaciones no está aprobado. Los motores usados en aplicaciones no aprobadas o sujetos a modificaciones o uso indebido anularán la garantía del motor.

⚠ ADVERTENCIA

La omisión de usar un motor de la forma prevista y de acuerdo con las instrucciones podría causar daños materiales, lesiones personales o la muerte.

REEMPLAZO DEL MOTOR:

Por favor, consulte las especificaciones de su equipo donde encontrará información importante específica del motor, por ejemplo, tamaño del motor (cc), tipo de eje (horizontal o vertical), dimensiones del árbol cigüeñal, patrón de montaje de pernos, velocidad del motor (rpm), capacidad de aceite, tamaño del depósito de combustible, controles (acelerador/estrangulador), arrancador (de retroceso o eléctrico), funciones de detención, necesidades de cableado para accesorios y otras especificaciones referidas a emisiones.

PRÁCTICAS DE OPERACIÓN SEGURAS

AMORTIGUADOR DE CHISPAS

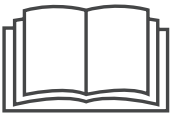




⚠ ADVERTENCIA

Cualquier equipo que tenga un motor de combustión interna no debe ser utilizado en o cerca de un terreno agreste cubierto por bosque, malezas o hierba excepto que el sistema de escape del motor esté equipado con un amortiguador de chispas que cumpla con las leyes locales o estatales correspondientes (en caso de existir).

Si se utiliza un amortiguador de chispas, el operador lo debe mantener en condiciones de uso adecuadas. En el Estado de California, las medidas anteriormente mencionadas son exigidas por ley (Artículo 4442 del Código de Recursos Públicos de California). Es posible que existan leyes similares en otros estados. Las leyes federales se aplican en territorios federales. Puede conseguir el amortiguador de chispas para el silenciador a través de su distribuidor autorizado de motores más cercano o poniéndose en contacto con el departamento de servicios, P.O. Box 361131, Cleveland, Ohio 44136-0019.

SÍMBOLOS DE SEGURIDAD

En esta página, se presentan y describen los símbolos de seguridad que pueden aparecer en el motor. Lea, entienda y cumpla todas las advertencias e instrucciones incluidas en el motor y el equipo, y en los manuales del operador antes de intentar instalarlo y/o utilizarlo.

Símbolo	Descripción
	ADVERTENCIA – LEA LOS MANUALES DEL OPERADOR Lea, comprenda y siga todas las normas y las instrucciones de seguridad que se incluyen en el manual y sobre el equipo antes de intentar utilizarlo. Si no cumple con lo que indica esta información, se pueden provocar lesiones personales o la muerte. Conserve este manual en un lugar seguro para usarlo como referencia futura habitual.
	PELIGRO — MONÓXIDO DE CARBONO Nunca haga funcionar un motor en interiores o en un área mal ventilada. El escape del motor contiene monóxido de carbono, un gas inodoro y letal.
	PELIGRO — DESCARGAS ELÉCTRICAS No use el arrancador eléctrico del motor bajo la lluvia.
	ADVERTENCIA—LA GASOLINA ES INFLAMABLE Deje que el motor se enfríe por lo menos cinco minutos antes de volver a cargar combustible.
	ADVERTENCIA - EVITE QUEMADURAS El silenciador y el motor están a temperatura muy alta y pueden provocar lesiones graves por quemaduras. No los toque. Deje que se enfríe el equipo al menos durante cinco minutos antes de almacenarlo o intentar cualquier tarea de mantenimiento.

⚠ ADVERTENCIA

Su Responsabilidad—Limite el uso del equipo a las personas que lean, comprendan y respeten todas las advertencias e instrucciones que figuran en sobre el motor y el equipo, y en los manuales del operador. - ¡GUARDE ESTAS INSTRUCCIONES!

CONFIGURACIÓN

Combustible y Aceite

NOTA: El motor se despacha sin combustible ni aceite en el motor. Si se hace funcionar el motor sin suficiente aceite puede dañarse gravemente y se anula la garantía.

⚠ ADVERTENCIA

Siempre mantenga las manos y los pies alejados de las piezas móviles del equipo. No utilice fluidos comprimidos para arrancar. Los vapores son inflamables.

RECOMENDACIONES SOBRE EL ACEITE

Antes de encender el motor, llene con aceite para motor; la capacidad es de 600 ml/20 oz. Consulte la tabla de viscosidad en la Figura 1 para las recomendaciones relacionadas con el aceite. No llene excesivamente. Use un aceite para motor de cuatro tiempos, o un aceite detergente de calidad premium equivalente con certificado que cubra o exceda las exigencias de los fabricantes de automóviles americanos respecto de la clasificación de servicio de un nivel mínimo SJ (se aceptan clasificaciones de letras superiores como grados SL y SM). El aceite para motor tendrá esta designación en el envase.

Se recomienda SAE 10W-30 para uso general, a todas las temperaturas. Si utiliza aceite con viscosidad monogrado, seleccione en la tabla que aparece a continuación la viscosidad adecuada para la temperatura media de su zona.

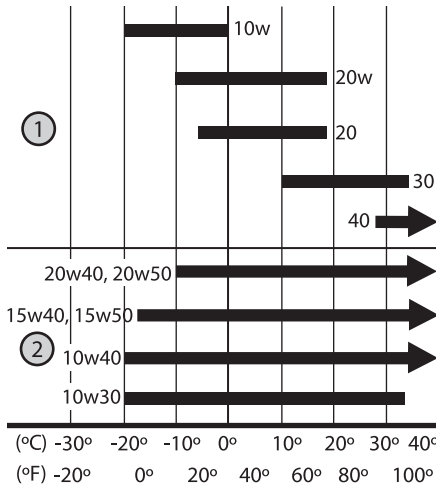


Figura 1

1. Viscosidad monogrado
2. Viscosidad multigrado

⚠ PRECAUCIÓN

No utilice aceites sin detergente ni aceite para motor de dos tiempos. Podría reducirse la vida útil del motor.

NOTA: Se puede usar un aceite sintético 5w30 para mejorar el encendido cuando el clima está frío (temperaturas inferiores a los 40°F).

VERIFICACIÓN DEL NIVEL DE ACEITE/CARGA DE ACEITE

IMPORTANTE: Asegúrese de comprobar el aceite sobre una superficie nivelada y con el motor apagado.

NOTA: Su motor viene equipado con una varilla de medición de aceite corta o extendida. Siga las siguientes instrucciones apropiadas para el motor en su unidad.

Para evitar que el motor resulte dañado, es importante que:

- Controle el nivel de aceite antes de cada uso y cada 5 horas de funcionamiento cuando el motor está tibio. Controle el nivel de aceite con mayor frecuencia durante el período de funcionamiento inicial del motor.
- Mantenga el aceite en el límite superior de la varilla de nivel de aceite.
- Cuando realice el control, compruebe que el tapón de llenado de aceite esté bien ajustado.

NOTA: No lo llene en exceso. El exceso de aceite puede causar ahumado, problemas de arranque, suciedad en la bujía o saturación de aceite en el purificador de aire.

NOTA: Para cambiar el aceite de su motor, consulte Cambio de Aceite en la página 24.

VARILLA DE MEDICIÓN DE ACEITE CORTA

1. Extraiga el tapón de llenado de aceite y limpie la varilla de medición de aceite. Consulte la Figura 2 o Figura 3 dependiendo del ángulo del cuello de llenado de aceite.
2. Inserte el tapón de llenado de aceite dentro del cuello de llenado de aceite pero no lo atornille.

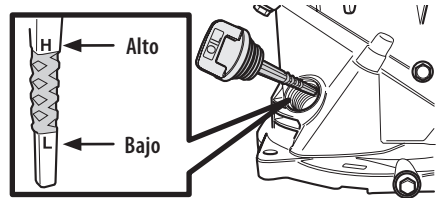


Figura 2

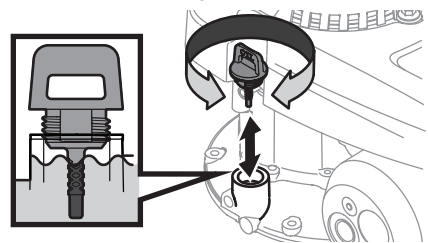


Figura 3

3. Realice una de las siguientes acciones:

- Cuello de llenado de aceite angulado (Figura 2) - Extraiga el tapón de llenado de aceite. Si el nivel es bajo, agregue aceite lentamente hasta que el nivel de aceite se encuentre entre alto (H) y bajo (L).

CONFIGURACIÓN

- Cuello de llenado de aceite vertical (Figura 3) - Extraiga el tapón de llenado de aceite. Si el nivel es bajo, agregue aceite lentamente hasta el límite superior de la varilla.
4. Vuelva a colocar el tapón de medición de aceite y ajuste firmemente antes de poner en marcha el motor.

VARILLA DE MEDICIÓN DE ACEITE EXTENDIDA

1. Retire el tapón de llenado de aceite y limpie la varilla de nivel de aceite (Figura 4).
2. Inserte el tapón de llenado de aceite en el cuello de llenado de aceite y ajuste bien.
3. Afloje y extraiga el tapón de llenado de aceite del cuello de llenado de aceite. Observe el nivel de aceite, si el nivel es bajo, agregue aceite lentamente hasta que el nivel se encuentre entre alto (H) y bajo (L) (Figura 4).
4. Vuelva a colocar el tapón de llenado de aceite en el cuello de llenado de aceite y ajuste bien antes de encender el motor.

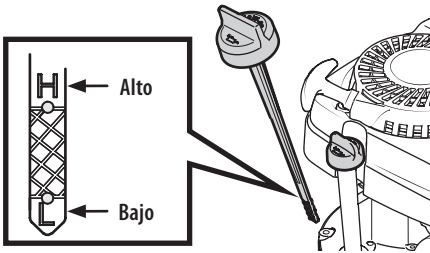


Figura 4

REQUISITOS DE COMBUSTIBLE

⚠ PRECAUCIÓN

Si se opera el motor con combustible E15 o E85, una mezcla de aceite/gasolina, gasolina sucia o **gasolina con más de 30 días de uso** que no se haya estabilizado con un aditivo de combustible, se puede dañar el carburador del motor. A los daños subsiguientes **no** los cubre la garantía del fabricante.

Utilice gasolina para automóviles (sin plomo o con bajo contenido de plomo para minimizar los depósitos en la cámara de combustión) con un mínimo de 87 octanos. Se puede usar gasolina con hasta un 10% de etanol (E10) o un 15% de MTBE (éter metílico terciario-butílico). Nunca use una mezcla de aceite y gasolina ni gasolina sucia. Evite que se introduzca suciedad, polvo o agua en el depósito de combustible. **NO utilice gasolina E15 ni E85.**

⚠ ADVERTENCIA

La gasolina es sumamente inflamable y bajo determinadas condiciones es explosiva.

- Recargue en un área bien ventilada con el motor apagado y deje enfriar. No fume ni permita llamas o chispas en la lugar donde se carga combustible o se almacena la gasolina.
- No llene en exceso el depósito de combustible. Después de cargar combustible, asegúrese de que el tapón del depósito esté bien cerrado y ajustado.

- Limpie el combustible que se pueda haber derramado sobre el motor y el equipo. Traslade el equipo a otro lugar y espere 5 minutos antes de encender el motor.
- Evite el contacto repetido o prolongado con la piel y la inhalación de vapores.

CARGA DE COMBUSTIBLE

⚠ ADVERTENCIA

El combustible debe cargarlo un adulto. **NUNCA** permita que un niño recargue combustible en el motor. Los vapores de la gasolina (el combustible) son sumamente inflamables y pueden explotar. Los vapores del combustible se pueden esparcir y encenderse por una chispa o llama que esté a mucha distancia del motor. Para evitar lesiones o muertes por incendios de combustible, siga estas instrucciones:

NOTA: Algunos motores podrían despacharse sin tener instalado el tapón de combustible. Para instalarlo, quite y descarte el tapón antipolvo del depósito de combustible etiquetado "Descartar". Quite el envoltorio de burbuja del tapón de combustible y ajuste bien.

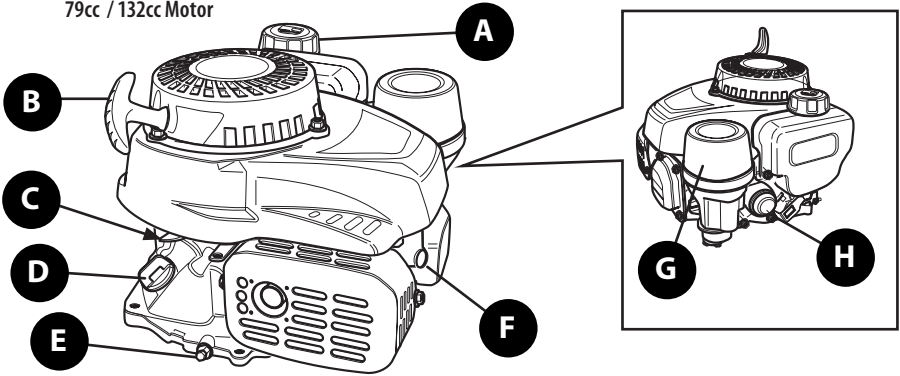
- NO use combustible con plomo.
- El combustible debe ser nuevo y estar limpio. **NUNCA** use el combustible que queda desde la última temporada o que quedó almacenado durante períodos prolongados.
- **NUNCA** mezcle aceite con combustible.
- NO use combustible que contenga metanol (alcohol de madera).
- Llene el tanque de combustible al aire libre o en un área bien ventilada.

NOTA: Antes de cargar combustible, deje que el motor se enfríe al menos 5 minutos.

1. Limpie el área que está alrededor del tapón de llenado de combustible y quite dicho tapón.
2. Use un recipiente rojo para GASOLINA aprobado y agregue el combustible lentamente, tomando la precaución de evitar derrames. NO llene en exceso el depósito de combustible.
3. Llene el depósito hasta el indicador de nivel de combustible que está adentro del depósito de combustible si existiera, o bien hasta no más de 1/2 pulgada por debajo de la base del cuello de llenado para dejar espacio para la expansión del combustible.
4. Vuelva a colocar el tapón del combustible y ajústelo bien. Antes de poner en marcha el motor, debe limpiar el combustible que se haya derramado. Si se derrama combustible NO ponga en marcha el motor. Mueva la máquina para alejarla de la zona del derrame. Evite generar una fuente de encendido hasta que los vapores del combustible hayan desaparecido.
5. Compruebe que la válvula de paso del combustible, si está presente, esté en la posición "ON".

FUNCIONAMIENTO

79cc / 132cc Motor



140cc Motor

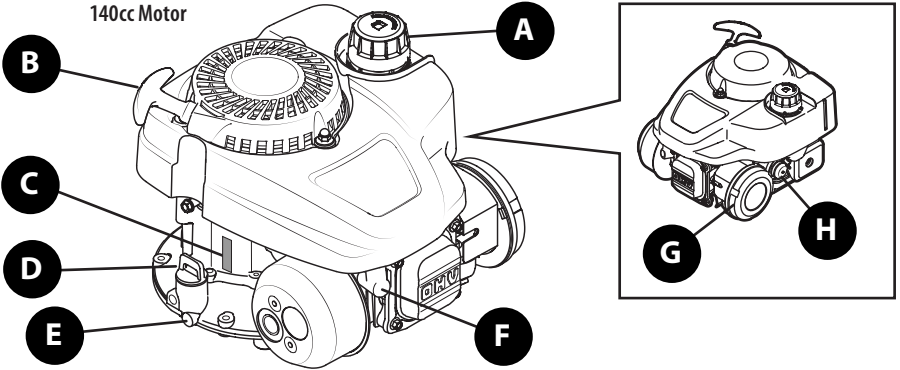


Figura 5

Características

A. TAPÓN DE COMBUSTIBLE

Saque el tapón de combustible para agregar combustible.

NOTA: Algunos motores podrían despacharse sin tener instalado el tapón de combustible. Para instalarlo, quite y descarte el tapón antipolvo del depósito de combustible etiquetado "Descartar". Quite el envoltorio de burbuja del tapón de combustible y ajuste bien.

B. MANIJA DEL ARRANCADOR DE RETROCESO

Tire de la manija del arrancador de retroceso para encender el motor.

C. PLACA DE MODELO

La placa de modelo indica el número de modelo y número de serie del motor. Registre esta información en el lugar indicado en la tapa de este manual. Esta información se necesitará para un correcto soporte técnico.

D. TAPÓN DE LLENADO DE ACEITE

Saque el tapón de llenado de aceite para verificar el nivel del mismo y agregar más (se muestra varilla de nivel de aceite corta).

E. TAPÓN DE DRENAJE DE ACEITE

Al sacar el tapón de drenaje de aceite, el aceite del motor drena. El motor está equipado con un drenaje lateral.

NOTA: Algunos motores están equipados con un tapón de drenaje de aceite ubicado en la parte trasera del motor.

F. BUJÍA DE ENCENDIDO

Consulte Servicio de la Bujía de Encendido en la página 26.

G. FILTRO DE AIRE

Consulte Mantenimiento del Filtro de Aire en la página 25.

H. CEBADOR (SI SE INCLUYE)

Al presionar el cebador se envía combustible directamente al carburador del motor para ayudar al encendido del motor.



Control Previo al Funcionamiento

El motor se despacha sin combustible ni aceite en el motor. Consulte la sección Configuración de este manual para ver las instrucciones para la carga de aceite y combustible.

Determine el Sistema de Encendido

Antes de encender el motor, debe determinar el tipo de sistema de encendido que tiene su motor. Su motor tendrá uno de los siguientes tipos de sistema:

- **Sistema de Estrangulador Automático con Arrancador de Retroceso:** Esta opción presenta un estrangulador automático que no tiene un estrangulador manual o cebador.
- **Sistema de Cebador:** Esta opción presenta un cebador en el motor.

Para encender el motor, siga las instrucciones correspondientes a su tipo de sistema de encendido.

NOTA: Los equipos podrían tener controles remotos. Consulte el lugar de ubicación y el funcionamiento de los controles remotos en el manual del operador del equipo.

Arranque del Motor

⚠ ADVERTENCIA

Siempre mantenga las manos y los pies alejados de las piezas móviles del equipo. No utilice fluidos comprimidos para arrancar. Los vapores son inflamables.

SISTEMA DE ESTRANGULADOR AUTOMÁTICO CON ARRANCADOR DE RETROCESO

1. Colóquese detrás de la cortadora, tire de la manija de control de cuchilla hacia atrás contra la manija superior (Figura 6).
2. Mientras sostiene juntas la manija de control de cuchilla y la manija superior con firmeza, tire de la manija del arrancador de retroceso ligeramente hasta sentir resistencia, luego tire rápidamente para vencer la compresión y evitar el rebote, y encienda el motor. Repita la operación si fuera necesario.

IMPORTANTE: No permita que la manija del arrancador de retroceso vuelva rápidamente contra la guía de la cuerda. Regrésela suavemente para que no se dañe el arrancador.

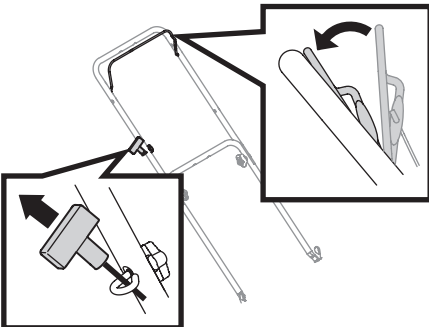


Figura 6

SISTEMA DE CEBADOR

1. Presione el cebador 3 veces. Espere aproximadamente dos segundos entre cada presión (Figura 7). En temperaturas inferiores a 50°F, cebe 5 veces. Una vez que el motor se calienta, podría necesitarse un solo cebado para todas las temperaturas.
2. Colóquese detrás de la cortadora, apriete y sostenga el control de cuchilla contra la manija superior.
3. Tire de la manija del arrancador de retroceso ligeramente hasta sentir resistencia, luego tire rápidamente para vencer la compresión y evitar el rebote, y encienda el motor (Figura 7). Repita la operación si fuera necesario.

IMPORTANTE: No permita que la manija del arrancador de retroceso vuelva rápidamente contra la guía de la cuerda. Si el motor no enciende, podría ser necesario volver a cebarlo.

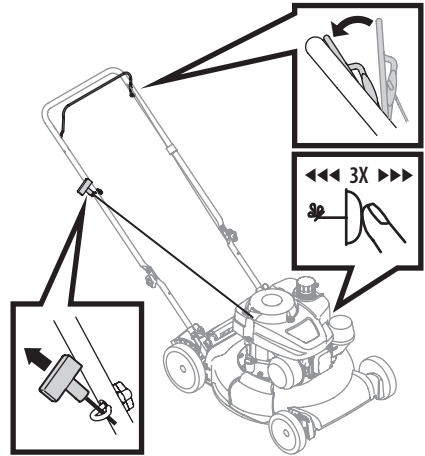


Figura 7

Detención del Motor

1. Suelte el control de cuchilla o apague el interruptor del motor (si se incluye).

SERVICIO Y MANTENIMIENTO

⚠ ADVERTENCIA

Apague el motor antes de realizar el mantenimiento. Para prevenir el encendido accidental, extraiga la llave de seguridad (si se incluye), desconecte el cable de la bujía y conecte a tierra contra el motor.

Recomendaciones Generales

Si el motor debiese inclinarse para transportar el equipo, inspeccionarlo o quitar césped, mantenga el lado de la bujía del motor hacia arriba. Transportar o inclinar la bujía del motor hacia abajo podría provocar humo, problemas de arranque, suciedad en la bujía o saturación de aceite del purificador de aire.

La inspección y el ajuste periódicos del motor son esenciales para mantener el rendimiento del motor y vida de servicio.

En la siguiente tabla se indican los intervalos de servicio y mantenimiento. Observe los intervalos de horas o fechas que se indican. Cuando se opera en condiciones adversas es necesario llevar a cabo un mantenimiento más frecuente.

⚠ ADVERTENCIA

Si el motor ha estado funcionando, el silenciador estará muy caliente. Deje que el motor y el silenciador se enfrien antes de realizar tareas de mantenimiento.

Programa de Mantenimiento

Servicio	Primeras 5 horas	Cada uso o cada 5 horas	Cada temporada o cada 25 horas	Cada temporada o cada 50 horas	Cada temporada o cada 100 horas	Fechas de Servicio
Controle el nivel de aceite del motor		✓				
Cambie el aceite del motor *	✓			✓		
Inspeccione el depurador de aire		✓				
Haga el servicio al depurador de aire **					✓	
Inspeccione la bujía de encendido			✓			
Reemplace la bujía					✓	
Limpie la cubierta del motor		✓				
Limpie alrededor del silenciador		✓				
Reemplace el filtro de combustible					✓	

* Cada estación o cada 25 horas si se opera bajo condiciones de altas temperaturas ambiente o de cargas pesadas.

** Cuando se utiliza en áreas polvorientas, el mantenimiento debe ser más regular.

Mantenimiento del aceite

- Inspeccione el nivel de aceite regularmente.
- Asegúrese de que se mantenga el nivel de aceite correcto. Inspeccione cada cinco horas o diariamente antes de poner en marcha el motor. Consulte la sección Verificación del nivel de aceite/Carga de aceite en la página 20.

1. Extraiga todo el combustible del depósito haciendo funcionar el motor hasta que se detenga por falta de combustible.
2. Saque el tapón de drenaje de aceite (a) y deje que el aceite se drene en un recipiente adecuado (Figura 8).

NOTA: Algunos motores están equipados con un drenaje de aceite ubicado en la parte trasera del motor.

Cambio de Aceite

⚠ ADVERTENCIA

Antes de inclinar el motor o equipo para drenar el aceite, drene el combustible del depósito haciendo funcionar el motor hasta que el depósito de combustible quede vacío.

IMPORTANTE: Asegúrese de inspeccionar el motor sobre una superficie nivelada y con el motor apagado. Drene el aceite mientras el motor esté caliente para asegurar un drenaje rápido y completo.

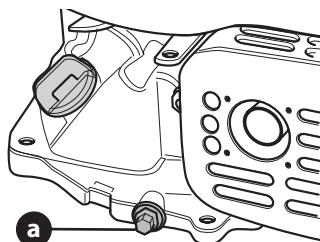


Figura 8

SERVICIO Y MANTENIMIENTO

3. Vuelva a colocar el tapón de drenaje y ajústelo bien.
4. Vuelva a llenar con el aceite recomendado y controle el nivel de aceite. Consulte la sección Recomendaciones sobre el aceite y Verificación del nivel de aceite/Carga de aceite en la página 20.
5. Vuelva a colocar el tapón de llenado de aceite y asegúrelo firmemente.

IMPORTANTE: El aceite usado del motor puede causar cáncer de piel si entra en contacto con la piel de manera reiterada y por períodos prolongados. Si bien esto es improbable a menos que manipule aceite usado todos los días, sin embargo es recomendable lavarse bien las manos con agua y jabón inmediatamente después de haber manipulado aceite usado.

NOTA: Por favor, elimine el aceite del motor usado de alguna manera que sea compatible con el medio ambiente. Sugerimos que lo coloque en un recipiente sellado y lo lleve a la estación de servicio o tienda de autopartes local para su reciclado. No lo tire a la basura ni lo vierta en el suelo.

Mantenimiento del Filtro de Aire

⚠ ADVERTENCIA

Nunca use gasolina o solventes de punto de encendido bajo para limpiar el elemento del filtro de aire. Podría producirse un incendio o explosión.

Los filtros de papel no se pueden limpiar y se deben reemplazar una vez al año o cada 100 horas de funcionamiento; con mayor frecuencia si se utilizan en lugares donde hay gran cantidad de polvo.

NOTA: Los motores con el sistema de inicio de cebador están equipados con un elemento filtrante de aire de espuma. Los que tienen un sistema de cebador automático tienen un elemento de papel. Siga las siguientes instrucciones de servicio aplicables.

FILTRO DE ESPUMA

1. Gire la cubierta del filtro de aire en sentido contrario a las agujas del reloj y eleve (79cc y 132cc, Figura 9) o aleje de la base del filtro (140cc, Figura 10).
2. Extraiga el filtro de aire de la base del filtro de aire.
3. Limpie el elemento de espuma o reemplácelo si está dañado.
4. A fin de limpiar el elemento de espuma, lávelo con detergente líquido suave y agua. Apriete u oprima el elemento de espuma para enjuagar la suciedad y el agua. No lo retuerza; si lo hace, podría dañar o rasgar el elemento de espuma. Permita que se seque bien antes de usarlo. LUBRIQUE el elemento de espuma con un aceite de motor liviano.
5. Invierta los pasos 1-2 para volver a instalar el filtro de aire.

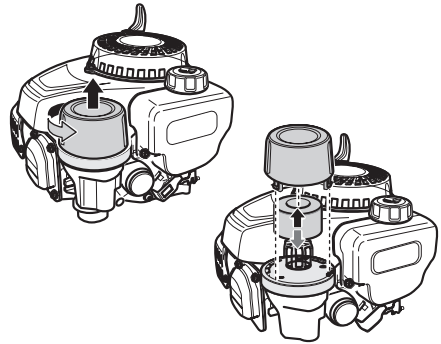


Figura 9

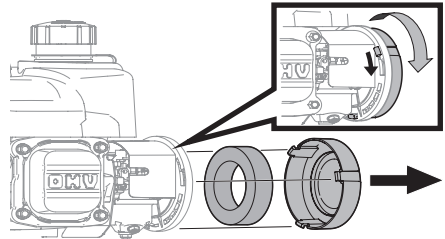


Figura 10

SERVICIO Y MANTENIMIENTO

FILTRO DE PAPEL

1. Gire la cubierta del filtro de aire en sentido contrario a las agujas del reloj y eleve (79cc y 132cc, Figura 11) o aleje de la base del filtro (140cc, Figura 12).
2. Extraiga el filtro de aire de la base del filtro de aire.
NOTA: los filtros de papel no se pueden limpiar y se deben reemplazar una vez al año o cada 100 horas de funcionamiento y con mayor frecuencia si se utilizan en lugares donde hay gran cantidad de polvo.
3. Descarte el filtro de aire existente.
4. Invierta los PASOS 1-2 para instalar el filtro de aire nuevo.

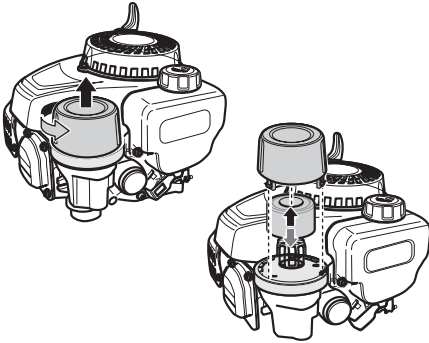


Figura 11

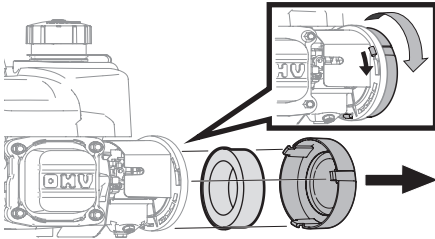


Figura 12

Servicio de la Bujía de Encendido

⚠ ADVERTENCIA

Si el motor ha estado funcionando, el silenciador estará muy caliente. Deje que el motor y el silenciador se enfríen antes de realizar tareas de mantenimiento.

⚠ ADVERTENCIA

NO pruebe la chispa si no está la bujía de encendido. NO dé arranque al motor si no está la bujía de encendido.

Para asegurarse de que el motor funcione bien, la bujía debe tener una separación correcta y debe estar libre de depósitos.

1. Retire la funda de la bujía (a) y utilice una llave para bujías para extraer la bujía (b) (Figura 13).

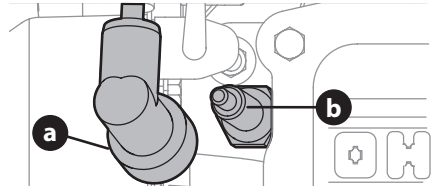


Figura 13

2. Inspeccione visualmente la bujía. Elimine la bujía si presenta mucho desgaste, o si el aislante está agrietado o astillado. Limpie la bujía con un cepillo de alambre si se va a reutilizar.
3. Mida la separación de bujía con un calibre. Corrija de ser necesario torciendo el electrodo lateral (c) (Figura 14). La separación debe establecerse en 0.030 pulgadas (0.76 mm).

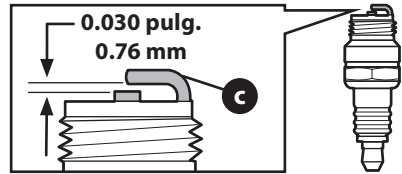


Figura 14

4. Verifique que la arandela de la bujía esté en buenas condiciones y enrosque la bujía hacia adentro manualmente para evitar el enrosque cruzado.
5. Una vez que la bujía está asentada en su lugar, ajuste con una llave para bujía para comprimir la arandela.

NOTA: Cuando instale una bujía nueva, apriete 1/2 de giro después de que la bujía se asienta para comprimir la arandela. Cuando vuelva a colocar una bujía usada, apriete 1/8 - 1/4 de giro después de que la bujía se asienta para comprimir la arandela.

IMPORTANTE: La bujía debe estar firmemente ajustada. Si la bujía no está bien ajustada puede calentarse mucho y dañar el motor.

Mantenimiento del Filtro de Combustible

El filtro de combustible no se puede limpiar y se debe reemplazar una vez al año o cada 100 horas de funcionamiento; con mayor frecuencia si se utiliza con gasolina vieja.

1. Extraiga todo el combustible del depósito haciendo funcionar el motor hasta que se detenga por falta de combustible.
2. Quite la abrazadera de la manguera de la línea de combustible y extraiga la línea de combustible de la boca del depósito (Figura 15).

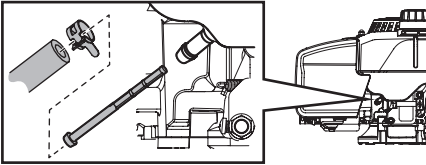


Figura 15

3. Saque el filtro de combustible viejo de la boca del depósito. Reemplácelo cuando esté sucio o dañado.
4. Tome el nuevo filtro de combustible del extremo con reborde e insértelo por completo en el reborde que está en la boca del depósito de combustible (Figura 15).
5. Vuelva a colocar la línea de combustible y la abrazadera de la manguera.

Limpié el motor

Si el motor ha estado funcionando, déjelo enfriar durante por lo menos media hora antes de limpiarlo. Retire periódicamente la suciedad acumulada en el motor. Limpie la protección de retención y alrededor del silenciador. Limpie con un cepillo o aire comprimido.

IMPORTANTE: No rocíe el motor con agua para limpiarlo porque el agua podría contaminar el combustible. Con una manguera de jardín o equipo de lavado a presión también puede forzar agua dentro del depurador de aire o la abertura del silenciador. El agua en el depurador de aire embeberá el elemento de papel, y el agua que pasa a través del elemento o silenciador puede ingresar en el cilindro, causando daño.

⚠ ADVERTENCIA

La acumulación de residuos alrededor del silenciador podría producir un incendio. Inspecciónelo y límpielo antes de cada uso.

Almacenamiento

⚠ PRECAUCIÓN

Si no se utiliza un aditivo estabilizador del combustible o si no se hace funcionar el motor hasta que se agote completamente el combustible antes del almacenamiento fuera de temporada, se puede dañar el carburador del motor. A los daños subsiguientes **no** cubre la garantía del fabricante.

El combustible que fuese a almacenarse por más de 30 días

debe ser pretratado tras comprarlo con un estabilizador de combustible para evitar la formación de depósitos de goma y barniz en el combustible del motor y el sistema de admisión. Un almacenamiento inadecuado del combustible puede provocar problemas de encendido, falta de encendido, cese de funcionamiento y bajo desempeño. Si el combustible de su motor se deteriora durante el almacenamiento, puede resultar necesario reparar o reemplazar el carburador y otros componentes del sistema de combustible.

1. Extraiga todo el combustible del depósito haciendo funcionar el motor hasta que se detenga por falta de combustible.

⚠ ADVERTENCIA

Nunca deje el motor en marcha sin vigilancia.

2. Cambie el aceite. Consulte la sección Cambio de Aceite en la página 24.
3. Extraiga la bujía y vierta alrededor de 1/2 onza de aceite de motor dentro del cilindro. Vuelva a colocar la bujía y dé marcha al motor lentamente para distribuir el aceite.
4. Limpie los residuos en torno del motor, debajo de la protección de retención y debajo, alrededor y detrás del silenciador. Retoque la pintura dañada, y revista con una película delgada de aceite las demás áreas que puedan oxidarse.
5. Almacene en un sector limpio, seco y bien ventilado, lejos de cualquier artefacto que funcione con una llama o luz piloto como un horno, calentador de agua o secador de ropa. También evite cualquier sector con motores eléctricos que producen chispas o donde se utilizan herramientas eléctricas.
6. De ser posible, también evite áreas de almacenamiento con mucha humedad para evitar oxidación y corrosión.
7. Mantenga el motor nivelado cuando lo almacene. La inclinación del motor puede resultar en fugas de combustible o aceite.

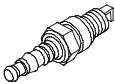

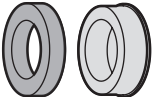
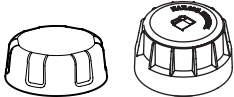

Retirar de su Almacenamiento

1. Inspeccione su motor como se describe en la sección Control Previo al Funcionamiento en la página 23.
2. Si el combustible fue drenado durante la preparación para el almacenamiento, llene el depósito con combustible nueva. Si tiene un recipiente de gasolina para llenar, asegúrese de que contenga solo combustible sin usar. La gasolina se oxida y deteriora con el tiempo, causando un arranque difícil.
3. Si el cilindro fue revestido con aceite durante la preparación para el almacenamiento, el motor humeará brevemente durante el arranque. Esto es normal.

SOLUCIÓN DE PROBLEMAS

Problema	Causa	Solución
El motor no arranca	<ol style="list-style-type: none"> 1. El control de lámina se retiró. (Cortadora de césped sólo) 2. Alambre de bujía desconectado. 3. Depósito de combustible combustible vacío o añejo. 4. Válvula de corte de combustible cerrado (De ser equipado). 5. ESTÁRTER no activado (De ser equipado). 6. Bujía defectuosa. 7. Reducción del flujo de combustible y filtro de combustible bloqueados. 8. Se ahogó el motor. 9. El motor no está cebado (De ser equipado). 	<ol style="list-style-type: none"> 1. Contratar el control de lámina. 2. Unir el alambre a la bujía. 3. Llenar el tanque de la gasolina limpia, fresca. 4. Encienda la válvula de combustible de cierre. 5. Ahogue el motor (ver la sección de Funcionamiento). 6. Limpio, ajuste el hueco, o sustituir. 7. Reemplace el filtro de combustible como se indica en la sección de mantenimiento. 8. Espere unos minutos para reiniciar, pero no primos. 9. Ceba el motor tal como se explica en la sección de Funcionamiento.
El motor funciona de manera errática	<ol style="list-style-type: none"> 1. El cable de la bujía está flojo. 2. Reducción del flujo de combustible y filtro de combustible bloqueados. 3. La ventilación en la tapa del combustible está obstruida (De ser equipado). 4. Agua o suciedad en el sistema del combustible. 5. El filtro de aire está sucio. 6. La unidad que corre con el ESTÁRTER (De ser equipado) se aplicó. 	<ol style="list-style-type: none"> 1. Conecte y ajuste el cable de la bujía. 2. Reemplace el filtro de combustible como se indica en la sección de mantenimiento. 3. Destape la ventilación. 4. Si es necesario, utilice un sifón para combustible para drenar el tanque de combustible. Vacíe el depósito de combustible. Vuelva a llenarlo con combustible nuevo 5. Refiérase a la sección de mantenimiento de motor. 6. Perilla de ESTÁRTER de empuje en.
El motor recalienta	<ol style="list-style-type: none"> 1. El nivel de aceite del motor es bajo. 2. Flujo de aire restringido. 	<ol style="list-style-type: none"> 1. Llene el cárter con aceite adecuado. 2. Retire el alojamiento del soplador y límpielo.
Salto ocasionales (pausas) a alta velocidad	<ol style="list-style-type: none"> 1. La distancia disruptiva de la bujía es muy pequeña. 	<ol style="list-style-type: none"> 1. Ajuste la distancia disruptiva a 0,76 mm (0,03 pulg).
Funciona mal en marcha lenta	<ol style="list-style-type: none"> 1. Bujía atorada, averiada o exceso de distancia disruptiva. 2. El filtro de aire está sucio. 	<ol style="list-style-type: none"> 1. Reajuste la distancia disruptiva a 0,76mm (0,03) o reemplace la bujía. 2. Refiérase a la sección de mantenimiento de motor.

PLEZAS DE REEMPLAZO

Piezas	Piezas de Reemplazo
	951-10292 Bujía (79 cc) 951-14437 Bujía (132 cc, 140 cc)
	951-15137 Depurador de aire - Espuma (79 cc, 132 cc) 951-15757 Depurador de aire - papel (79 cc, 132 cc)
	951-14627 Tapón de combustible - Espuma (140 cc) 951-14628 Tapón de combustible - papel (140 cc)
	951-05182 Tapón de combustible (79 cc) 751-15255 Tapón de combustible (132 cc, 140 cc)
	951-12296 Filtro de combustible



LAS DISPOSICIONES DE EZ START PROMISE DE SU GARANTÍA LIMITADA

Además de los otros términos y las condiciones de la garantía limitada que rigen para su nueva cortadora, MTD LLC ("MTD") por la presente garantiza que el motor de la cortadora arrancará cuando un adulto capacitado lo intente en la primera o segunda oportunidad (sujeto a las limitaciones que se describen a continuación) por el período de duración indicado en la garantía limitada del fabricante que rige para su producto. Si el motor de su cortadora no cumple con lo dispuesto esta garantía limitada, MTD cubrirá los costos de las piezas y la mano de obra relacionada con los ajustes y/o las reparaciones necesarias para devolver al motor su condición de garantía. A fin de realizar un reclamo según estas disposiciones de su garantía, usted debe acudir a un proveedor para reparaciones autorizado con el producto y la prueba de compra. En muchos casos, el minorista que le vendió el motor no se encuentra equipado para proporcionar el servicio de la garantía. Por lo tanto, deberá ubicar el distribuidor autorizado más cercano llamando al número telefónico que se encuentra en el Manual del Operador ingresando a la página www.mtdproducts.com.

ELEMENTOS Y CONDICIONES SIN COBERTURA

EZ Start Promise no cubre ni se aplica en los siguientes casos:

- Costos del servicio de mantenimiento o piezas de rutina, como por ejemplo filtros, combustible, lubricantes, cambios de aceite, bujías de encendido, filtro de aire, afiladores de cuchilla, bordes desgastados, ajustes de cables/varillas, ajustes de freno y embrague.
- Costos de transporte desde y hacia un proveedor de reparaciones autorizado de MTD.
- Los motores que se usen en aplicaciones comerciales, de arrendamiento, institucionales, gubernamentales o no residenciales.
- Productos o piezas que hayan sido alteradas o usadas de forma inadecuada o que requieran reemplazo o reparación debido al uso inadecuado, accidentes o falta de mantenimiento correcto.
- Las reparaciones necesarias debido al descuido de la batería, irregularidades en el suministro eléctrico o falta de preparación de forma adecuada de la cortadora anterior a cualquier período sin uso superior a los tres meses.
- Cargos de recogida y/o entrega.
- Uso operacional inadecuado, abandono, accidentes, reparaciones no autorizadas o intentos de reparaciones del motor o de sus componentes por otras personas no autorizadas, fuera del proveedor de reparaciones de MTD.

- Reparaciones o ajustes para corregir dificultades del arranque debido a alguno de los siguientes motivos: falta de seguimiento de los procedimientos de mantenimiento adecuados — golpe de las cuchillas de cortadoras rotativas contra un objeto extraño — contaminantes en el sistema del combustible — combustible o mezcla de combustible/aceite inadecuada (en caso de dudas, consulte su Manual del Operador) — falta de drenaje del sistema de combustible anterior a cualquier período sin uso superior a tres meses.
- Cualquier problema de arranque originado en el uso de combustibles, lubricantes o aditivos inadecuados.
- Condiciones o circunstancias especiales que normalmente requieren más de dos intentos para arrancar, específicamente: 1) Primer arranque luego de la compra inicial, 2) primera vez que arranca luego de uno o varios períodos sin uso superiores a un mes o al almacenamiento de temporada, 3) arranque bajo temperaturas frías, como por ejemplo las que se presentan a comienzo de la primavera y a fin del otoño, y 4) arranque dificultoso debido a la no observancia por parte del operador de los procedimientos de arranque adecuados identificados en el Manual del Operador. Si usted tiene problemas en arrancar su unidad, verifique el Manual del Operador a fin de asegurarse de que está cumpliendo los procedimientos correctos de arranque. Esto puede ahorrarle una visita innecesaria al distribuidor autorizado.

RESPONSIBILIDADES DEL PROPIETARIO

El mantenimiento de su cortadora (incluido el motor) debe hacerse cumpliendo los procedimientos de mantenimiento e instrucciones de arranque indicadas en el Manual del Operador. Tal mantenimiento de rutina, ya sea realizado por un distribuidor o por usted mismo, es a su cargo. Por otro lado, conserve la prueba de compra y los recibos de mantenimiento ya que se los pueden solicitar para validar un reclamo.

CONDICIONES GENERALES

Un proveedor de reparaciones autorizado de MTD que emplea repuestos aprobados debe realizar todas las reparaciones cubiertas por esta EZ Start Promise. La reparación realizada por un distribuidor autorizado para el mantenimiento de MTD es su único recurso según esta garantía. MTD no es responsable por ningún daño indirecto, incidental o resultante relacionado con el uso de los productos cubiertos por esas garantías, incluido cualquier costo o gasto de suministro de equipo sustituto o mantenimiento durante períodos razonables de desperfectos o no uso pendientes de la finalización de las reparaciones según esta garantía.

Algunos estados no permiten la exclusión de los daños incidentales o resultantes, ni las limitaciones sobre la duración de las garantías implícitas, por lo que ciertas exclusiones o limitaciones pueden no serle de aplicación.

NOTICE D'UTILISATION

Moteurs de 79 cm³, et 132 cm³ et 140 cm³ à arbre vertical

Anglais	Page 2
Espagnol (Spanish)	Page 16
Français (French)Page	Page 31

Références de votre appareil

Avant d'utiliser votre moteur, notez ci-contre les numéros de modèle et de série qui se trouvent sur la plaque signalétique. Pour trouver la plaque, tenez-vous derrière l'appareil et regardez à l'arrière ou à l'arrière droit du moteur. Il est important de conserver ces références car elles vous seront demandées si vous communiquez avec nous sur notre site web, par téléphone ou chez un concessionnaire.

Numéro de modèle

Numéro de série

⚠ AVERTISSEMENT

Lisez attentivement les consignes de sécurité et les instructions de montage et de fonctionnement avant d'utiliser cet appareil afin d'écartier tout risque d'accident et de blessure. CONSERVEZ CES INSTRUCTIONS.

⚠ AVERTISSEMENT

PROPOSITION 65 DE LA CALIFORNIE

Les gaz d'échappement du moteur ainsi que certains éléments de l'appareil contiennent des substances considérées par l'État de Californie comme étant cancérigènes et pouvant provoquer des anomalies congénitales ainsi que d'autres effets nuisibles à la reproduction.

NOTE : Ce manuel est commun à plusieurs modèles, dont les caractéristiques peuvent différer du vôtre, de même que le modèle illustré.

CONSIGNES DE SÉCURITÉ IMPORTANTES

⚠ AVERTISSEMENT



Les consignes importantes sont précédées de ce symbole. Si vous ne les respectez pas, vous risquez de vous blesser grièvement ou de causer des dommages matériels. Veuillez lire et suivre toutes les consignes de cette notice avant d'utiliser le moteur afin d'écartier tout risque d'accident et de blessure. Lorsque vous voyez ce symbole, **RESPECTEZ LES AVERTISSEMENTS !**

⚠ DANGER

Ce moteur doit être utilisé conformément aux consignes de cette notice d'utilisation. Comme pour tout type d'équipement motorisé, la négligence ou une erreur de la part de l'utilisateur peut entraîner de blessures graves ou fatales. Il est donc impératif de respecter scrupuleusement les consignes de sécurité énoncées.

FORMATION

1. Veuillez lire, comprendre et suivre toutes les instructions figurant sur le moteur, sur l'appareil et dans le(s) manuel(s) avant d'utiliser l'appareil. Conservez cette notice d'utilisation pour pouvoir le relire ou commander des pièces de rechange.
2. Familiarisez-vous avec les commandes et le fonctionnement de votre appareil avant de vous en servir. Vous devez savoir arrêter le moteur et débrayer les commandes rapidement.
3. L'âge minimum pour pouvoir utiliser cet appareil est de 14 ans. Si vous souhaitez permettre à des enfants de plus de 14 ans d'utiliser cet appareil, lisez d'abord les consignes de sécurité et d'utilisation avec eux, montrez-leur comment faire et exigez qu'un adulte soit présent en tout temps.
4. Ne prêtez votre appareil qu'à des adultes responsables, qui savent s'en servir.
5. Ne permettez à personne (en particulier les enfants et les animaux) de s'approcher de la zone de travail. Coupez le moteur dès que quelqu'un s'approche.

PRÉPARATION

1. Portez des chaussures robustes à semelles épaisses et des vêtements couvrants et bien ajustés, et évitez les bijoux. et n'utilisez jamais l'appareil pieds nus ou en sandales.
 2. Débrayez les commandes et placez les barres de conduite à la position neutre avant de démarrer le moteur.
 3. Ne laissez jamais le moteur sans surveillance lorsque le moteur est en marche.
 4. Ne faites pas de réglages pendant que le moteur est en marche, sauf indications contraires mentionnées dans le manuel de l'utilisateur.
- ### MANIPULATION DE L'ESSENCE
- Il faut faire très attention lorsque vous manipulez de l'essence pour éviter des blessures et des dommages. Ce liquide est extrêmement inflammable et dégage des vapeurs explosives. Une simple éclaboussure sur la peau ou les vêtements peut s'enflammer et causer de graves brûlures. Nettoyez immédiatement toute éclaboussure sur la peau et changez de vêtements.
1. Lorsque vous faites le plein, arrêtez le moteur et laissez-le refroidir pendant au moins cinq minutes avant de retirer le bouchon du réservoir.
 2. Remplissez le réservoir d'essence à l'extérieur ou dans un local bien aéré.
 3. N'utilisez que des bidons d'essence homologués.
 4. Ne remplissez jamais les bidons à l'intérieur d'un véhicule ou encore à l'arrière d'un camion ou d'une remorque à plancher de plastique. Placez toujours les bidons par terre et loin de votre véhicule pour les remplir.
 5. Dans la mesure du possible, déchargez l'appareil de la remorque et faites le plein par terre. Si cela n'est pas possible, faites le plein avec un bidon plutôt que directement du pistolet distributeur.
 6. Posez le pistolet du distributeur sur le rebord du réservoir ou du bidon pour faire le plein et ne le bloquez pas en position ouverte.
 7. Ne remplissez pas trop le réservoir. Remplissez-le jusqu'au repère ou jusqu'à l'indicateur de niveau à l'intérieur. Certains modèles peuvent ne pas être dotés d'un indicateur du niveau d'essence. Si tel est le cas, laissez au moins un espace d'un demi-pouce à partir du col de remplissage pour l'expansion de l'essence.
 8. Veillez à remettre correctement le bouchon du réservoir lorsque vous avez terminé.
 9. En cas de débordement, essuyez l'essence sur le moteur et sur l'appareil. Changez ce dernier de place et attendez cinq minutes avant de redémarrer le moteur.
 10. Pour limiter les risques d'incendie, retirez les brins d'herbe, feuilles et autres débris accumulés sur le moteur. Essayez les éclaboussures d'essence et d'huile et éliminez les débris souillés.
 11. Ne gardez pas l'essence près d'une étincelle, d'une flamme nue, d'une veilleuse d'allumage, de la chaleur ou d'autres sources d'inflammation.
 12. Ne faites jamais le plein à l'intérieur car l'accumulation de vapeurs peut provoquer un incendie.
 13. Éteignez cigares, cigarettes, pipes et tout autre objet susceptible de s'enflammer.
 14. Vérifiez si les conduits d'essence, le réservoir et les raccords ont des fissures ou des fuites. Remplacez les pièces endommagées.

CONSIGNES DE SÉCURITÉ IMPORTANTES

UTILISATION

1. Vérifiez que la bougie, le silencieux et le bouchon du réservoir d'essence sont bien installés avant de démarrer le moteur.
2. Ne faites pas tourner le moteur si la bougie d'allumage n'est pas installée.
3. En cas de débordement, essuyez l'essence sur le moteur et sur l'appareil. Changez ce dernier de place et attendez cinq minutes avant de redémarrer le moteur.
4. Laissez le moteur et le silencieux refroidir avant de les toucher.
5. Les enfants ne doivent pas s'approcher d'un moteur chaud ou d'un moteur en marche. Ils risquent de se brûler.
6. Enlevez les débris autour du silencieux et du cylindre.
7. N'utilisez pas l'appareil sans les dispositifs de sécurité.
8. N'approchez pas vos mains ou vos pieds des pièces en mouvement.
9. Portez des chaussures à semelle épaisse et des vêtements couvrants et bien ajustés, et évitez les bijoux. Portez de préférence des chaussures à embout d'acier et des vêtements longs.
10. Pour faire démarrer le moteur des modèles avec lanceur à rappel, tirez lentement la poignée du lanceur jusqu'à ce que vous sentiez une légère résistance, puis tirez rapidement la poignée. Répétez si nécessaire.
11. Débranchez toutes les charges avant de démarrer le moteur.
12. Les éléments, comme les lames, turbines, poulies, pignons, etc., qui sont connectés directement au moteur doivent être bien fixés.

ENTRETIEN ET REMISAGE

1. Maintenez le moteur en bon état.
2. Laissez le moteur refroidir pendant au moins cinq minutes avant de ranger l'appareil. Ne modifiez jamais les dispositifs de sécurité et vérifiez régulièrement qu'ils fonctionnent bien.
3. Vérifiez que tous les boulons et toutes les vis sont bien serrés pour assurer le bon fonctionnement du moteur. Inspectez régulièrement l'appareil pour vous assurer qu'il n'y a pas de dommages.
4. Avant de nettoyer, de réparer ou d'inspecter l'appareil, arrêtez le moteur et assurez-vous que la turbine et les autres pièces mobiles sont arrêtées. Débranchez le fil de bougie et mettez-le à la masse contre le moteur pour empêcher ce dernier de démarrer.
5. Ne modifiez pas le réglage du régulateur de vitesse et ne faites pas tourner le moteur à une vitesse excessive. Le régulateur maintient le moteur au meilleur régime.
6. Prenez bien soin des étiquettes de sécurité et d'instructions. Remplacez-les au besoin.

7. Consultez toujours le manuel de l'utilisateur pour les renseignements concernant le remisage, surtout si l'appareil est remis pendant une longue période.
8. Si nécessaire, vidangez le réservoir d'essence à l'extérieur.
9. Respectez la législation sur l'élimination des déchets liquides (essence, huile, etc.) afin de préserver l'environnement.

NE PAS MODIFIER LE MOTEUR

Un accident grave ou fatal peut résulter d'une modification du moteur, quelle qu'elle soit. Toute modification apportée au régulateur de vitesse peut provoquer l'emballement du moteur et accélérer dangereusement sa vitesse en état de marche. Ne modifiez jamais cet élément.

AVIS CONCERNANT LES ÉMISSIONS

Les moteurs certifiés conformes aux normes d'émission de la Californie et de l'Agence américaine de protection de l'environnement (EPA) pour équipements hors route (Small Off Road Equipment) sont conçus pour fonctionner à l'essence ordinaire sans plomb et peuvent être dotés des dispositifs antipollution suivants : modification du moteur, catalyseur d'oxydation, injection d'air secondaire et convertisseur catalytique à trois voies.

UTILISATION PRÉVUE :

Les modèles de moteur indiqués sur la page couverture de ce manuel sont spécifiquement conçus pour être utilisés uniquement pour les appareils motorisés d'extérieur désignés. Les moteurs indiqués sont homologués comme moteur de remplacement pour les appareils comme les tondeuses, les coupe-bordures et les tondeuses à fil. L'utilisation de ces moteurs n'est autorisée pour aucun autre appareil. La garantie du moteur sera nulle et non avenue si les moteurs sont utilisés pour des appareils non autorisés ou ont subi des altérations ou n'ont pas été utilisés correctement.

⚠ AVERTISSEMENT :

Le manquement à l'utilisation prévue du moteur selon les instructions peut occasionner des dommages matériels, des blessures corporelles ou la mort.

REPLACEMENT DU MOTEUR :

Veillez vérifier les spécifications de votre appareil pour y trouver des renseignements importants spécifiques au moteur comme la cylindrée (cm³), le type d'arbre (horizontal ou vertical), les dimensions du vilebrequin, le calibre de perçage des boulons, la vitesse du moteur (tr/minute), la capacité d'huile du réservoir, la dimension du réservoir d'essence, les commandes (accélérateur/étrangleur), le démarrage (à rappel ou électrique), les fonctions d'arrêt, le câblage pour les accessoires et les autres spécifications en lien avec le système anti-pollution.

CONSIGNES DE SÉCURITÉ IMPORTANTES

PARE-ÉTINCELLES

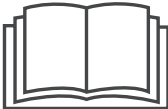




⚠ AVERTISSEMENT :

Cet appareil est équipé d'un moteur à combustion interne et ne doit pas être utilisé sur un terrain boisé non entretenu ou sur un terrain couvert de broussailles ou d'herbe à moins que le système d'échappement du moteur soit muni d'un pare-étincelles, conformément aux lois et règlements provinciaux ou locaux (le cas échéant).

L'utilisateur doit maintenir le bon fonctionnement du pare-étincelles, le cas échéant. Dans certains États, comme la Californie, la loi (article 4442, « California Public Resource Code ») exige l'utilisation d'un pare-étincelles. Il est possible que d'autres États aient des lois similaires. Les lois fédérales sont en vigueur sur les terres fédérales. Il est possible d'obtenir un pare-étincelles pour le silencieux chez votre centre de service agréé le plus proche; ou communiquez avec le service à la clientèle (MTD Products Limited, 97 Kent Avenue, Kitchener, Ontario, N2G 4J1).

SIGNIFICATION DES SYMBOLES

Vous trouverez ci-dessous les symboles de sécurité qui peuvent se trouver sur votre moteur. Veuillez lire attentivement et suivre toutes les instructions sur l'appareil et le moteur et dans le(s) manuel(s) avant d'utiliser l'appareil.

Symbole	Description
	LISEZ LE(S) MANUEL(S) Veuillez lire toutes les consignes énoncées dans le(s) manuel(s) avant d'assembler et d'utiliser l'appareil ou l'accessoire afin d'écartier tout risque d'accident et de blessure. Conservez ce manuel pour pouvoir le relire ou commander des pièces de rechange.
	AVERTISSEMENT — MONOXYDE DE CARBONE Ne faites jamais fonctionner l'appareil dans un lieu fermé ou mal aéré en raison de la présence de monoxyde de carbone, un gaz inodore très dangereux dans les gaz d'échappement.
	AVERTISSEMENT — CHOC ÉLECTRIQUE N'utilisez pas le démarreur électrique du moteur lorsqu'il pleut.
	AVERTISSEMENT — ESSENCE INFLAMMABLE Laissez le moteur refroidir pendant au moins cinq minutes avant de faire le plein.
	AVERTISSEMENT – RISQUE DE BRÛLURE Ne touchez pas le silencieux et le moteur, car ils deviennent chauds et pourraient vous brûler. Laissez l'appareil refroidir pendant au moins cinq minutes avant de le ranger ou d'effectuer une réparation.

⚠ AVERTISSEMENT

Il est de votre responsabilité de vous assurer que seules des personnes capables de lire et de respecter les consignes de sécurité figurant sur l'appareil et dans ce manuel utilisent votre appareil. **CONSERVEZ CES INSTRUCTIONS !**

PRÉPARATION

Esence et huile

NOTE : Cet appareil est livré sans essence et sans huile. Lorsque le moteur fonctionne sans huile, cela peut sérieusement l'endommager et annuler la garantie.

⚠ AVERTISSEMENT

Gardez toujours les mains et les pieds loin des pièces en mouvement. N'utilisez pas de liquide de démarrage sous pression, car les vapeurs sont inflammables.

HUILE PRÉCONISÉE

Faites le plein d'huile avant de mettre le moteur en marche. La capacité du réservoir est de 600 ml (20 onces). La Figure 1 indique la viscosité de l'huile à utiliser. Ne remplissez pas trop le réservoir. Utilisez une huile détergente de bonne qualité pour moteur à quatre temps ou une huile équivalente qui répond aux exigences des constructeurs automobiles américains et qui respecte la norme SJ au minimum (une huile d'une classification supérieure comme les normes SL ou SM peut être utilisée). La classification de l'huile est indiquée sur le contenant.

L'huile SAE 10W-30 est recommandée pour une utilisation générale à toutes les températures. Si une huile monograde est utilisée, consultez la Figure 1 pour connaître le degré de viscosité approprié.

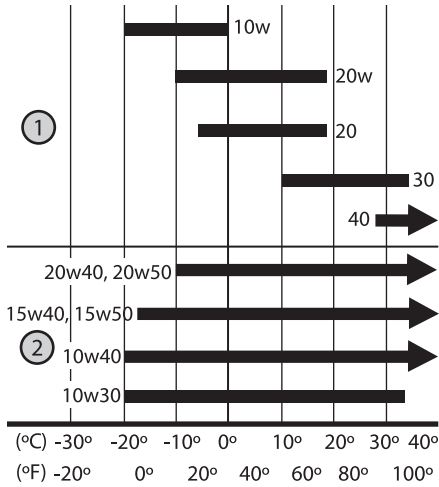


Figure 1

1. Monograde
2. Multigrade

⚠ ATTENTION

N'utilisez pas d'huile non détergente ou d'huile pour moteur à deux temps car elle peut réduire la durée de vie du moteur.

NOTE : L'huile synthétique 5w30 peut être utilisée pour faciliter le démarrage lorsque la température est inférieure à 4,4 Celsius (40° F).

NOTE : Le moteur de votre appareil peut être doté d'une jauge courte ou longue. Suivez les instructions pertinentes ci-dessous selon le moteur de votre appareil.

VÉRIFICATION DU NIVEAU D'HUILE ET AJOUT DE L'HUILE

IMPORTANT : Assurez-vous de placer l'appareil sur une surface plane et d'arrêter le moteur avant d'effectuer la vérification.

Pour éviter d'endommager le moteur, il est important de :

- Vérifier le niveau d'huile avant chaque utilisation et toutes les cinq heures de fonctionnement quand le moteur est chaud. Vérifiez le niveau d'huile plus souvent pendant la période de rodage.
- Remplir l'huile jusqu'au repère supérieur de la jauge.
- Vérifier que le bouchon est bien vissé.

NOTE : Ne remplissez pas le réservoir à ras bord. Le trop-plein d'huile peut causer de la fumée, des démarrages difficiles, l'encrassement de la bougie ou la saturation du filtre à air.

NOTE : Changez l'huile selon les instructions de la sous-section Changement d'huile la page 39.

JAUGE COURTE

1. Retirez le bouchon et essayez la jauge. Voir Figure 2 ou Figure 3 selon l'angle du col de remplissage.
2. Placez la jauge d'huile dans le col de remplissage, mais ne vissez pas le bouchon.

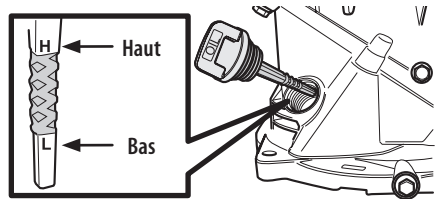


Figure 2

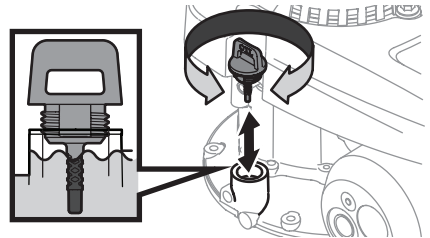


Figure 3

3. Suivez les instructions qui s'appliquent :

- Col de remplissage incliné (Figure 2) : Retirez le bouchon de remplissage. S'il n'y a pas assez d'huile, ajoutez lentement de l'huile jusqu'à ce que le niveau soit entre les repères haut (« H ») et bas (« L »).

PRÉPARATION

- Col de remplissage vertical (Figure 3) : Retirez le bouchon de remplissage. S'il n'y a pas assez d'huile, ajoutez lentement de l'huile jusqu'au repère supérieur de la jauge.
4. Remplacez la jauge et serrez bien le bouchon avant de démarrer le moteur.

JAUGE LONGUE

1. Retirez le bouchon et essuyez la jauge (Figure 4).
2. Insérez la jauge dans le col de remplissage d'huile et serrez bien le bouchon.
3. Dévissez le bouchon et retirez la jauge du tube de remplissage. Vérifiez le niveau d'huile. S'il est sous le repère bas (« L »), ajoutez lentement de l'huile jusqu'à ce que le niveau soit au repère haut (« H »). Voir Figure 4.
4. Remettez le bouchon et serrez-le bien avant de démarrer le moteur.

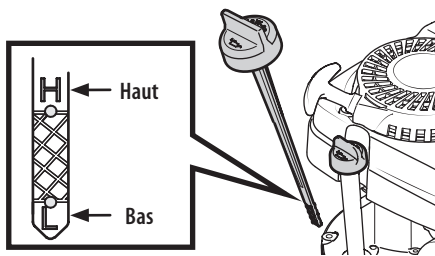


Figure 4

ESSENCE

⚠ ATTENTION

Le carburateur du moteur peut être endommagé si vous utilisez de l'essence E15 ou E85, **un mélange d'huile et d'essence, de l'essence sale** ou de plus de 30 jours. Ces dommages **ne sont pas** couverts par la garantie.

Utilisez de l'essence automobile (essence sans plomb ou essence à faible teneur en plomb) avec un indice d'octane de 87 ou plus. L'essence contenant jusqu'à 10 % d'éthanol (E10) ou jusqu'à 15 % de méthyl tert-butyl éther (MTBE) peut être utilisée. N'utilisez jamais un mélange d'huile et d'essence ou de l'essence sale. Il ne faut pas laisser la poussière, la saleté ou de l'eau pénétrer dans le réservoir. **N'utilisez pas de l'essence E15 ou E85.**

⚠ AVERTISSEMENT

L'essence est un produit extrêmement inflammable et peut exploser dans certaines conditions.

- Faites le plein dans un endroit bien aéré et assurez-vous que le moteur est arrêté et refroidi. Il ne faut pas fumer et avoir des flammes ou des étincelles à proximité du moteur lorsque vous faites le plein ou près de l'emplacement du stockage de l'essence.

- Ne remplissez pas le réservoir à ras bord. Après avoir fait le plein, assurez-vous de bien serrer le bouchon.
- En cas de débordement, essuyez l'essence sur le moteur et sur l'appareil. Changez l'appareil de place et attendez cinq minutes avant de redémarrer le moteur.
- Évitez le contact répété ou prolongé avec la peau et ne respirez pas les vapeurs d'essence.

REMPLISSAGE DU RÉSERVOIR D'ESSENCE

⚠ AVERTISSEMENT

Un adulte doit faire le plein. Les enfants ne doivent jamais faire le plein. Les vapeurs d'essence sont extrêmement inflammables et peuvent exploser. Ces vapeurs peuvent se propager et être enflammées par une étincelle ou une flamme loin du moteur. Pour prévenir tout risque de blessure ou de mort, suivez les instructions ci-dessous :

NOTE : Dans certains cas, le bouchon du réservoir d'essence n'est pas installé aux fins d'expédition. Avant de placer le bouchon, retirez le capuchon du réservoir d'essence marqué « Discard » (à jeter) et jetez-le. Puis, enlevez l'emballage avant de bien visser le bouchon.

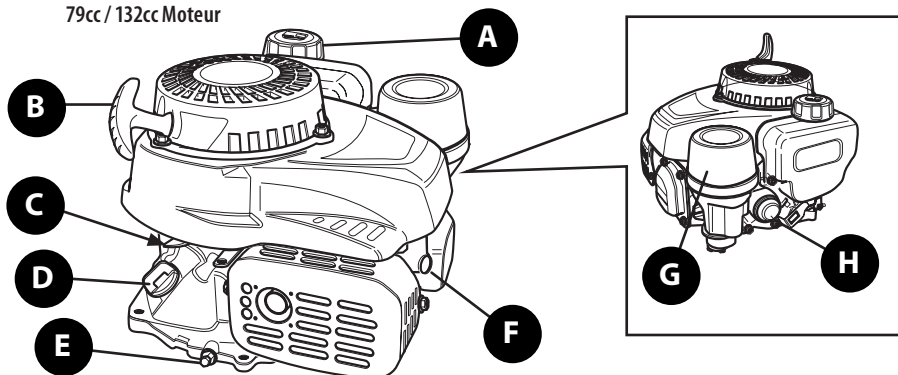
- N'UTILISEZ PAS de l'essence au plomb.
- L'essence doit être fraîche et propre. N'utilisez jamais de l'essence de la saison précédente ou de l'essence conservée pendant une longue durée.
- Ne mélangez jamais l'huile et l'essence.
- N'utilisez pas d'essence contenant du méthanol (alcool méthylique).
- Remplissez le réservoir d'essence à l'extérieur ou dans un local bien aéré.

NOTE : Laissez le moteur refroidir pendant au moins cinq minutes avant de faire le plein.

1. Nettoyez la surface autour du bouchon de remplissage et retirez le bouchon.
2. Versez lentement l'essence contenue dans un bidon d'essence rouge approuvé en prenant soin de ne pas répandre de l'essence. Ne remplissez pas trop le réservoir.
3. Remplissez-le jusqu'à l'indicateur de niveau à l'intérieur (le cas échéant) ou laissez au moins un espace d'un demi-pouce sous le col de remplissage pour l'expansion de l'essence.
4. Remplacez le bouchon du réservoir lorsque vous avez terminé. Essuyez toute trace d'essence avant de démarrer le moteur. Ne démarrez pas le moteur si l'essence est répandue. Changez l'appareil de place. Éliminez toute source d'inflammation jusqu'à ce que les vapeurs se soient dissipées.
5. Le cas échéant, vérifiez que la soupape de carburant est ouverte.

UTILISATION

79cc / 132cc Moteur



140cc Moteur

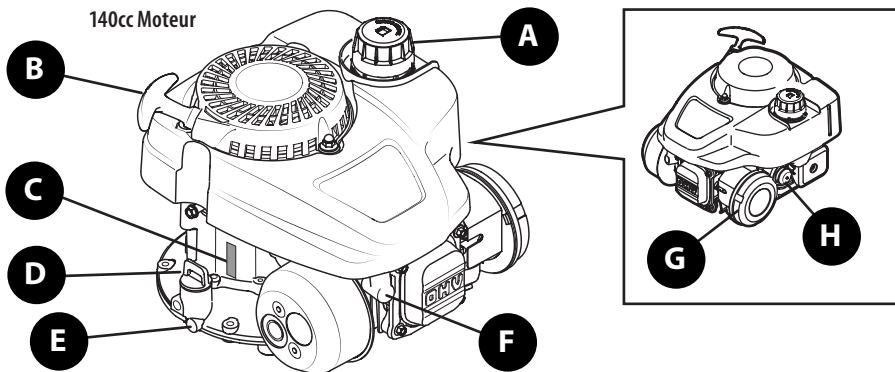


Figure 5

Caractéristiques

A. BOUCHON DE RÉSERVOIR D'ESSENCE

Retirez ce bouchon pour faire le plein.

NOTE : Dans certains cas, le bouchon du réservoir d'essence n'est pas installé aux fins d'expédition. Avant de placer le bouchon, retirez le capuchon du réservoir d'essence marqué « Discard » (à jeter) et jetez-le. Puis, enlevez l'emballage avant de bien visser le bouchon.

B. POIGNÉE DU LANCEUR À RAPPEL

Tirez sur cette poignée pour démarrer le moteur.

C. PLAQUE SIGNALÉTIQUE

Le numéro de modèle et le numéro de série du moteur se trouvent sur cette plaque. Notez ces informations sur la couverture de ce manuel. Ces références vous seront demandées lorsque vous avez besoin de l'assistance technique.

D. BOUCHON DE REMPLISSAGE D'HUILE

Retirez le bouchon de remplissage pour vérifier le niveau d'huile et pour en ajouter (jauge courte illustrée).

E. BOUCHON DE VIDANGE D'HUILE

Retirez le bouchon de vidange pour vidanger l'huile du moteur. Le bouchon de vidange d'huile se trouve sur le côté du moteur.

NOTE : Le bouchon de vidange se trouve à l'arrière du moteur sur certains modèles.

F. BOUGIE D'ALLUMAGE

Consultez la sous-section Entretien de la bougie d'allumage la page 41.

G. FILTRE À AIR

Consultez la sous-section Entretien du filtre à air la page 40.

H. AMORCEUR (LE CAS ÉCHÉANT)

Pressez sur l'amorceur pour injecter le carburant dans le carburateur afin de faciliter les démarrages à froid.



UTILISATION

Vérification initiale

Cet appareil est livré sans essence et sans huile. Consultez le chapitre Montage de ce manuel pour les instructions l'ajout d'huile et d'essence.

Système de démarrage

Avant de démarrer le moteur, identifiez le type de système de démarrage de votre moteur. Il est doté d'un des systèmes suivants :

- **Système d'étrangleur automatique avec lanceur** : Le moteur est doté d'un étrangleur automatique et ne comprend pas d'amorce.
- **Système d'amorçage** : Le moteur est doté d'un amorceur.

Pour démarrer le moteur, suivez les instructions qui s'appliquent à votre type de système de démarrage.

NOTE : Votre appareil peut être doté de commandes à distance. Consultez le manuel de l'utilisateur pour plus de détails sur l'emplacement et le fonctionnement des commandes à distance.

Démarrage du moteur

⚠ AVERTISSEMENT

Gardez toujours les mains et les pieds loin des pièces en mouvement. N'utilisez pas de liquide de démarrage sous pression, car les vapeurs sont inflammables.

SYSTÈME D'ÉTRANGLEUR AUTOMATIQUE AVEC LANCEUR

1. Placez-vous derrière l'appareil et serrez la commande de la lame contre la poignée supérieure(Figure 6).
2. Tenez la commande de la lame contre la poignée supérieure et tirez sur la poignée du lanceur à rappel jusqu'à ce que vous sentiez une légère résistance. Puis tirez rapidement sur la poignée pour faire démarrer le moteur et empêcher la corde de s'enrouler rapidement. Répétez l'opération au besoin.

IMPORTANT : Ne relâchez pas brusquement la poignée du lanceur contre le guide-câble. Relâchez-la lentement pour éviter d'endommager le démarreur.

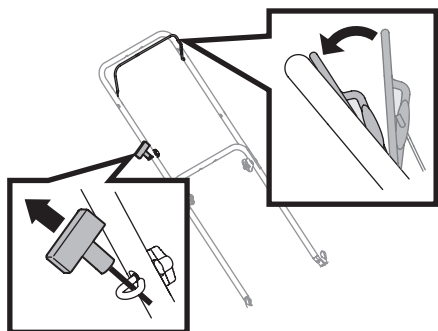


Figure 6

SYSTÈME D'AMORÇAGE

1. Pressez trois fois sur l'amorce et attendez environ deux secondes avant de presser de nouveau(Figure 7). Lorsque la température est inférieure à 10° C (50° F), pressez cinq fois sur l'amorceur. Si le moteur est chaud, il suffit de presser sur l'amorceur une fois, peu importe la température.
2. Placez-vous derrière la tondeuse et pressez la commande de la lame contre la poignée supérieure.
3. Tirez sur la poignée du lanceur à rappel jusqu'à ce que vous sentiez une légère résistance, puis tirez rapidement sur la poignée pour faire démarrer le moteur et empêcher la corde de s'enrouler rapidement(Figure 7). Répétez l'opération au besoin.

IMPORTANT : Ne relâchez pas brusquement la poignée du lanceur contre le guide-câble. Si le moteur ne démarre pas, vous aurez peut-être à amorcer le moteur à nouveau.

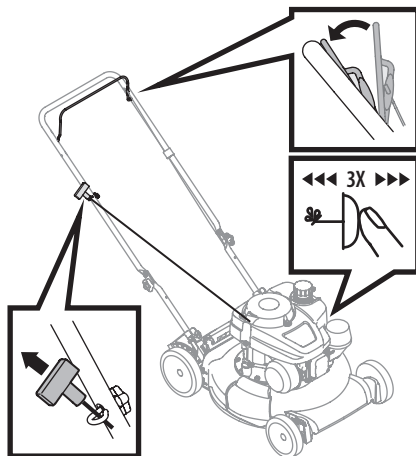


Figure 7

Arrêt du moteur

1. Relâchez la commande de la lame ou fermez l'interrupteur du moteur (le cas échéant).

ENTRETIEN ET RÉPARATION

⚠ AVERTISSEMENT

Arrêtez le moteur avant d'effectuer son entretien. Retirez la clé de contact (le cas échéant) ou débranchez le fil de bougie et mettez-le à la masse contre le moteur pour empêcher un démarrage accidentel.

Recommandations générales

Si le moteur doit être incliné pour une raison quelconque, assurez-vous que la bougie est en haut. Si le côté où se trouve la bougie est tourné vers le bas quand le moteur est incliné, cela peut causer de la fumée, un démarrage difficile, l'encrassement de la bougie ou la saturation en huile du filtre à air.

L'entretien périodique et les réglages sont importants et permettent de maintenir la performance du moteur et sa durée de vie.

Le tableau affiche le calendrier d'entretien et les travaux d'entretien. Respectez les périodes d'entretien comme indiqué. Un entretien plus fréquent est nécessaire lorsque l'appareil est utilisé dans des conditions extrêmes.

⚠ AVERTISSEMENT

Le silencieux sera chaud si le moteur vient d'être utilisé. Laissez le moteur et le silencieux refroidir avant d'effectuer quelconque entretien.

Calendrier d'entretien

Entretien	5 premières heures	Chaque utilisation ou toutes les 5 heures	Chaque saison ou toutes les 25 heures	Chaque saison ou toutes les 50 heures	Chaque saison ou toutes les 100 heures	Dates d'entretien
Vérifier le niveau d'huile à moteur		✓				
Changer l'huile à moteur *	✓			✓		
Vérifier le filtre à air		✓				
Effectuer l'entretien du filtre à air **					✓	
Vérifier la bougie d'allumage			✓			
Remplacer la bougie d'allumage					✓	
Nettoyer le carénage du moteur		✓				
Nettoyer la zone autour du silencieux		✓				
Remplacer le filtre à essence					✓	

* Changez l'huile à moteur chaque saison ou toutes les 25 heures si l'appareil est utilisé dans des conditions de charge maximale ou dans des conditions de température ambiante élevée.

** Remplacez l'élément du filtre à air plus souvent si l'appareil est utilisé dans des environnements poussiéreux.

Vérification de l'huile

- Vérifiez régulièrement le niveau d'huile.
- Assurez-vous que le niveau d'huile est approprié. Vérifiez le niveau toutes les cinq heures ou à chaque utilisation avant de démarrer le moteur. Consultez la sous-section Vérification du niveau d'huile et ajout de l'huile la page 35.

Changement d'huile

⚠ AVERTISSEMENT

Avant d'incliner l'appareil pour vidanger l'huile, vidangez l'essence en faisant fonctionner le moteur jusqu'à ce que le réservoir soit vide.

IMPORTANT : Assurez-vous de placer l'appareil sur une surface plane et d'arrêter le moteur avant d'effectuer la vérification. Vidangez l'huile lorsque le moteur est encore chaud.

1. Pour vider le réservoir d'essence, faites fonctionner le moteur jusqu'à ce qu'il n'y ait plus d'essence.
2. Retirez le bouchon (a) et laissez l'huile couler dans un récipient approprié (Figure 8).

NOTE : Le bouchon de vidange se trouve à l'arrière du moteur sur certains modèles.

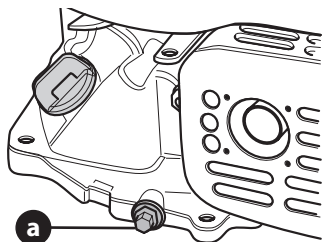


Figure 8

3. Remplacez le bouchon de vidange et serrez-le bien.
4. Ajoutez de l'huile du type approprié et vérifiez le niveau. Consultez les sous-sections Huile préconisée et Vérification du niveau d'huile et ajout de l'huile la page 35.
5. Remplacez bien le bouchon de remplissage d'huile.

IMPORTANT : Un contact prolongé et répété avec de l'huile à moteur usagée peut causer le cancer de la peau. Ceci est peu probable, sauf en cas de manipulation quotidienne de l'huile. Il est toutefois recommandé de se laver soigneusement les mains avec de l'eau et du savon dès que possible après tout contact.

NOTE : Veuillez disposer de l'huile usée selon les règlements protégeant l'environnement. Nous vous conseillons de mettre l'huile usagée dans un contenant fermé et de le remettre à un centre de service pour qu'il soit recyclé. Ne jetez pas l'huile et ne la versez pas sur le sol.

Entretien du filtre à air

⚠ AVERTISSEMENT

N'utilisez jamais d'essence ou de solvant pour nettoyer les éléments du filtre à air. Cela pourrait causer un incendie ou une explosion.

IMPORTANT : Ne faites jamais fonctionner le moteur sans le filtre, car cela entraînera une usure prématurée du moteur.

NOTE : Les moteurs avec un système d'amorçage sont dotés d'un filtre à air en mousse. Ceux avec un système d'étrangleur automatique ont un filtre en papier. Suivez les instructions qui s'appliquent.

FILTRE EN MOUSSE

1. Tournez le couvercle du filtre vers la gauche et soulevez-le (moteur de 79 cm³ et 132 cm³, Figure 9) ou retirez-le de la base du filtre (140cc, Figure 10).
2. Retirez le filtre de sa base.
3. Nettoyez l'élément en mousse ou remplacez-le s'il est endommagé.
4. Pour nettoyer l'élément en mousse, lavez-le avec un mélange d'eau et de détergent. Pressez bien l'élément afin de le débarrasser de saletés et d'eau. Ne le tordez pas; vous pourriez l'endommager. Laissez-le bien sécher avant de l'utiliser. Huilez l'élément avec de l'huile à moteur.

5. Pour replacer le filtre à air, effectuez les étapes 1 et 2 dans l'ordre inverse.

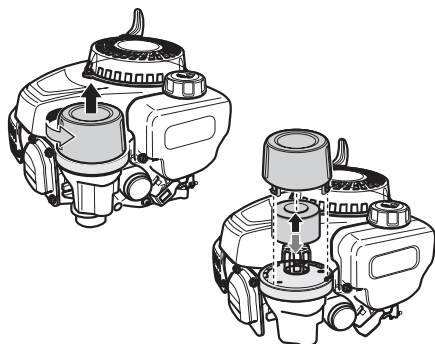


Figure 9

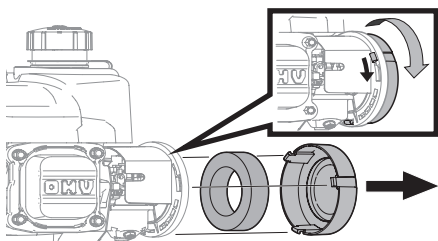


Figure 10

FILTRE EN PAPIER

1. Tournez le couvercle du filtre vers la gauche et soulevez-le (moteur de 79 cm³ et 132 cm³, Figure 11) ou retirez-le de la base du filtre (moteur de 140 cm³, Figure 12).
 2. Retirez le filtre de sa base.
- NOTE :** Les filtres en papier ne peuvent pas être nettoyés et doivent être changés chaque année ou toutes les 100 heures d'utilisation, ou plus souvent si l'appareil est utilisé dans un environnement très poussiéreux.
3. Jetez le filtre à air usé.
 4. Pour replacer le filtre à air neuf, effectuez les étapes 1 et 2 dans l'ordre inverse.

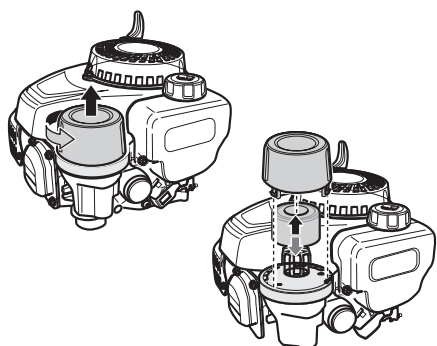


Figure 11

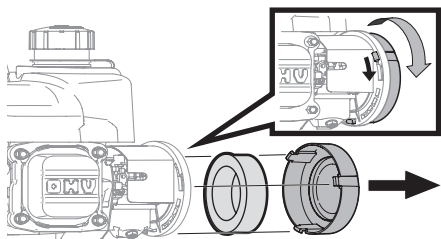


Figure 12

Entretien de la bougie d'allumage

⚠ AVERTISSEMENT

Le silencieux sera chaud si le moteur vient d'être utilisé. Laissez le moteur et le silencieux refroidir avant d'effectuer quelque entretien.

⚠ AVERTISSEMENT

Ne vérifiez pas l'état de la bougie si elle n'est pas installée. Ne faites pas tourner le moteur sans la bougie d'allumage.

La bougie ne doit pas être encrassée et son écart doit être approprié pour que le moteur fonctionne bien.

1. Enlevez le couvre-borne (a) de la bougie et retirez la bougie (b) avec une clé à bougie (Figure 13).

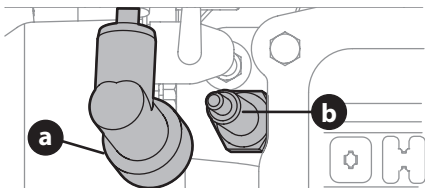


Figure 13

2. Inspectez la bougie d'allumage. Si la bougie est usée ou si l'isolant est fissuré, changez-la. Nettoyez la bougie avec une brosse métallique si vous l'utilisez de nouveau.
3. Mesurez l'écartement avec une jauge d'épaisseur. Pliez un peu le côté de l'électrode (v) pour ajuster l'écartement. (Figure 14). L'écartement doit être de 0,76 mm (0,030 po).

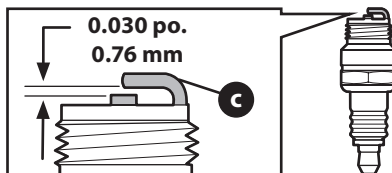


Figure 14

4. Vérifiez si la bougie d'allumage est en bon état et vissez-la à la main pour ne pas déformer les filets.
5. Quand la bougie est bien en place, serrez-la avec une clé à bougie pour bien comprimer la rondelle.

NOTE : Lorsque la bougie neuve est bien en place, tournez encore d'un demi-tour pour bien comprimer la rondelle. Si vous remplacez une bougie déjà utilisée, serrez de 1/8 à 1/4 de tour quand la bougie est bien en place.

IMPORTANT : La bougie doit être bien serrée. Si tel n'est pas le cas, elle deviendra trop chaude et endommagera le moteur.

Entretien du filtre à essence

Le filtre à essence ne peut pas être nettoyé et doit être remplacé chaque année ou toutes les 100 heures. Il doit être changé plus souvent si vous utilisez de l'essence éventée.

1. Pour vider le réservoir d'essence, faites fonctionner le moteur jusqu'à ce qu'il n'y ait plus d'essence.
2. Enlevez le collier du conduit d'essence avant de détacher le conduit de la sortie (Figure 15).

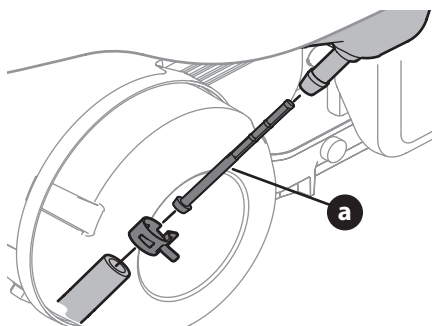


Figure 15

3. Retirez le filtre de la sortie du réservoir. Changez-le lorsqu'il est sale ou endommagé.
4. Tenez le filtre neuf par l'épaulement et insérez-le complètement dans la sortie (Figure 15).
5. Remplacez le conduit et le collier.

Nettoyage du moteur

Assurez-vous de laisser refroidir le moteur pendant au moins 30 minutes avant de le nettoyer. Enlevez régulièrement les saletés accumulées autour du moteur. Nettoyez la grille protectrice et la zone autour du silencieux à l'air comprimé ou avec une brosse.

IMPORTANT : N'aspergez pas le moteur pour le nettoyer car l'eau pourrait se mélanger à l'essence. N'utilisez pas de tuyau d'arrosage ni d'équipement de lavage à pression car l'eau pourrait pénétrer dans le filtre à air ou dans l'ouverture du silencieux. Si l'élément du filtre en papier est imbibé d'eau, l'eau peut facilement s'infiltrer dans le cylindre et causer des dommages.

⚠ AVERTISSEMENT

Toute accumulation de débris autour du silencieux peut provoquer un incendie. Nettoyez cette zone avant toute utilisation.

Remisage

⚠ ATTENTION

Le carburateur du moteur peut être endommagé si le réservoir n'a pas été vidé ou si du stabilisateur n'a pas été ajouté à l'essence avant le remisage. Ces dommages **ne sont pas** couverts par la garantie.

Si l'essence est entreposée pendant plus de 30 jours, ajoutez un stabilisateur pour éviter la formation de dépôts dans le système d'alimentation ou dans le système d'admission du moteur. Le moteur pourrait ne pas démarrer, démarrer difficilement, caler ou avoir une performance réduite à la suite d'un remisage inadéquat. Si l'essence laissée dans le réservoir se détériore pendant le remisage, il peut s'avérer nécessaire de remplacer ou de réparer le carburateur ou tout autre composant du système d'alimentation.

1. Pour vider le réservoir d'essence, faites fonctionner le moteur jusqu'à ce qu'il n'y ait plus d'essence.

⚠ AVERTISSEMENT

Ne laissez jamais l'appareil sans surveillance lorsque le moteur est en marche.

2. Changez l'huile selon les instructions de la sous-section Changement d'huile la page 39.
3. Retirez la bougie d'allumage et ajoutez environ une demi-once (15 ml) d'huile dans le cylindre. Remplacez la bougie d'allumage et faites démarrer le moteur pour faire répandre l'huile.
4. Enlevez les débris autour du moteur, du silencieux et sous la grille de protection. Retouchez la peinture écaillée et appliquez une mince couche d'huile aux surfaces qui peuvent rouiller.
5. Rangez le moteur dans un endroit propre, sec et bien aéré, loin de tout appareil à flamme nue ou à veilleuse d'allumage (fournaise, chauffe-eau ou sècheuse). Gardez-le loin de tout endroit où des moteurs électriques pouvant provoquer des étincelles ou des outils électriques sont utilisés.
6. Dans la mesure du possible, ne remisez pas le moteur dans des espaces très humides qui favorisent la rouille et la corrosion.
7. Le moteur doit être placé sur une surface plate pour éviter que l'essence ou l'huile ne s'écoule.

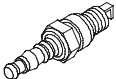

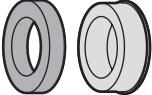
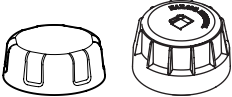

Remise en service du moteur

1. Vérifiez le moteur selon les instructions de la sous-section Vérification initiale la page 38.
2. Si le réservoir a été vidangé avant le remisage, faites le plein avec de l'essence propre et fraîche. Assurez-vous que l'essence dans le bidon est fraîche. L'essence s'oxyde et se détériore avec le temps, ce qui peut causer des problèmes de démarrage.
3. Si le cylindre a été enduit d'huile au moment du remisage, le moteur émettra un peu de fumée au démarrage, ce qui est tout à fait normal.

DÉPANNAGE

Problème	Cause	Solution
Le moteur ne démarre pas	<ol style="list-style-type: none"> 1. La commande de la lame n'est pas engagée (pour les tondeuses). 2. Le fil de la bougie est débranché. 3. Le réservoir est vide ou l'essence est éventée. 4. Le robinet d'arrêt de carburant (le cas échéant) est fermé. 5. Le moteur n'a pas été amorcé (si doté d'une poire d'amorçage). 6. La bougie d'allumage est défectueuse. 7. Le débit de carburant est faible ou le filtre à carburant est encrassé. 8. Le moteur est noyé. 9. L'étrangleur (si équipé) n'est pas engagé. 	<ol style="list-style-type: none"> 1. Engagez la commande de la lame. 2. Branchez le fil à la bougie d'allumage 3. Remplissez le réservoir avec de l'essence propre et fraîche. 4. Ouvrez le robinet d'arrêt du carburant. 5. Amorcez le moteur selon les instructions du chapitre Utilisation. 6. Nettoyez la bougie, remplacez-la ou ajustez son écartement. 7. Remplacez le filtre à carburant selon les instructions du chapitre Entretien. 8. Attendez quelques minutes avant de démarrer le moteur de nouveau. Ne l'amorcez pas. 9. Placez le levier d'étrangleur à la position ÉTRANGLEUR. Consultez le chapitre Utilisation.
Le moteur tourne irrégulièrement	<ol style="list-style-type: none"> 1. Le couvre-borne de la bougie est desserré. 2. Le débit de carburant est faible ou le filtre à carburant est encrassé. 3. L'évent du bouchon du réservoir est bouché (le cas échéant). 4. Il y a de l'eau ou de la saleté dans le circuit d'alimentation. 5. Le filtre à air est sale. 6. L'appareil fonctionne lorsque l'étrangleur (le cas échéant) est engagé. 	<ol style="list-style-type: none"> 1. Placez le couvre-borne de la bougie et serrez-le. 2. Remplacez le filtre à carburant selon les instructions du chapitre Entretien. 3. Nettoyez l'évent. 4. Au besoin, videz le réservoir d'essence avec une pompe. Remplissez le réservoir avec de l'essence fraîche. 5. Consultez le chapitre Entretien. 6. Désengagez l'étrangleur.
Le moteur surchauffe	<ol style="list-style-type: none"> 1. Le niveau d'huile à moteur est bas. 2. Le débit d'air est restreint. 	<ol style="list-style-type: none"> 1. Remplissez le carter du moteur avec de l'huile appropriée. 2. Nettoyez la surface du moteur et autour des ailettes de refroidissement.
Le moteur a des ratés occasionnels à haute vitesse	<ol style="list-style-type: none"> 1. L'écartement de la bougie est trop petit. 	<ol style="list-style-type: none"> 1. Ajustez l'écartement à 0,030 pouce.
Le moteur tourne irrégulièrement au ralenti	<ol style="list-style-type: none"> 1. La bougie est sale ou défectueuse, ou l'écartement est trop grand. 2. Le filtre à air est sale. 	<ol style="list-style-type: none"> 1. Ajustez l'écartement à 0,030 pouce ou remplacez la bougie d'allumage. 2. Consultez le chapitre Entretien.

PIÈCES DE RECHANGE

Pièces	Pièces de rechange
	951-10292 bougie d'allumage (79 cc) 951-14437 bougie d'allumage (132 cc, 140 cc)
	951-15137 Filtre à air (Mousse) (79 cc, 132 cc) 951-15757 Filtre à air (Mousse) (79 cc, 132 cc)
	951-14627 Filtre à air (Papier) (140 cc) 951-14628 Filtre à air (Papier) (140 cc)
	951-05182 bouchon de réservoir de carburant (79 cc) 751-15255 bouchon de réservoir de carburant (132 cc, 140 cc)
	951-12296 filtre à carburant



DÉMARRAGE GARANTI EZ START^{MC}

En plus des conditions de la garantie limitée de votre tondeuse neuve, MTD LLC (« MTD ») garantit par la présente que le moteur de votre tondeuse démarrera dès le premier ou deuxième essai par un adulte physiquement apte (sous réserve des restrictions ci-dessous) pendant la durée de la garantie limitée du fabricant qui s'applique à votre appareil. Si le moteur de votre tondeuse ne fonctionne pas conformément à cette garantie limitée, MTD s'engage à couvrir le coût des pièces et de la main-d'œuvre associé aux réglages et aux réparations nécessaires pour que le moteur démarre en deux essais. Pour faire une réclamation dans le cadre de la garantie, vous devez présenter le produit ainsi qu'une preuve d'achat à un centre de service agréé MTD. Souvent, le détaillant qui vous a vendu la tondeuse n'est pas équipé pour offrir les services de réparation sous garantie. Si tel est le cas, veuillez trouver le centre de service agréé le plus proche en communiquant avec le service à la clientèle ou en visitant le site Web, à www.mtdcanada.ca

CONDITIONS ET PIÈCES NON COUVERTES PAR LA GARANTIE

Le démarrage garanti EZ Start^{MC} ne couvre pas :

- Le coût des travaux ou des pièces d'entretien courant tels que les filtres, le carburant, les lubrifiants, les changements d'huile, les bougies d'allumage, les filtres à air, les lames usées, l'aiguisage de lames et le réglage des câbles, de la tringlerie, des freins et de l'embrayage.
- Les frais de transport (collecte et livraison) aux centres de service agréés.
- Les moteurs utilisés à des fins autres que non professionnelles (usage commercial, locatif, institutionnel ou gouvernemental).
- Tout produit ou pièce qui a fait l'objet de modifications, de négligence ou qui a nécessité un remplacement ou une réparation en raison d'une négligence, d'un accident ou d'un manque d'entretien adéquat.
- Toute réparation rendue nécessaire en raison d'un entretien inadéquat de la batterie, d'une anomalie de l'alimentation électrique ou d'une préparation inadéquate de la tondeuse avant une période d'entreposage de plus de trois mois.
- Les frais de collecte et de livraison de la tondeuse.
- L'utilisation inadéquate, une négligence, un accident, des réparations non autorisées ou des tentatives de réparations du moteur et de ses composants par quiconque autre qu'un centre de service agréé.

- Les réparations ou les réglages pour résoudre les problèmes de démarrage causés par le manquement aux procédures d'entretien recommandées, une lame ayant frappé un objet, une contamination du système du carburant, l'emploi de carburant inapproprié ou d'un mélange incorrect de carburant et d'huile (consultez le manuel de l'utilisateur) ou le défaut de vidanger le système de carburant avant toute période d'entreposage de plus de trois mois.
- Tout problème de démarrage résultant de l'emploi de carburant, lubrifiant ou d'additifs inappropriés.
- Des conditions ou des situations particulières qui requièrent plus de deux essais pour démarrer, à savoir : 1) la première mise en marche après l'achat initial, 2) la première mise en marche après une période d'entreposage prolongée, 3) des démarrages à basse température, comme au début du printemps ou à la fin de l'automne et 4) les problèmes de démarrage résultant du manquement, par l'utilisateur, des procédures mentionnées dans le manuel de l'utilisateur. Veuillez consulter le manuel de l'utilisateur pour les instructions de démarrage si vous avez des problèmes à faire démarrer la tondeuse. Ceci vous évitera une visite inutile au centre de service.

RESPONSABILITÉS DU PROPRIÉTAIRE

Lorsque vous assurez l'entretien de la tondeuse (et du moteur), respectez les procédures d'entretien et les instructions de démarrage du manuel de l'utilisateur. L'entretien régulier est à vos frais, qu'il soit effectué par vous-même ou par un centre de service.

Conservez votre preuve d'achat et tous les reçus concernant l'entretien car ils pourraient vous être demandés en cas de réclamation dans le cadre de la garantie.

CONDITIONS GÉNÉRALES

Un centre de service MTD doit effectuer toutes les réparations couvertes dans le cadre de la garantie de démarrage garanti EZ Start^{MC} et utiliser des pièces de rechange approuvées. Une réparation par un centre de service MTD est votre seul recours aux termes de cette garantie. MTD ne peut être tenu responsable pour tout dommage indirect, accessoire ou immatériel résultant de l'utilisation des produits couverts par ces garanties, y compris les frais de remplacement ou de service pendant les périodes raisonnables au cours desquelles l'équipement ne fonctionne pas ou fait l'objet de réparations couvertes par cette garantie.

Certaines **juridictions** ne permettent pas l'exclusion des dommages accessoires ou immatériels ou une limite à la durée de la garantie implicite. Par conséquent, certaines exclusions et restrictions peuvent ne pas s'appliquer dans votre cas.
