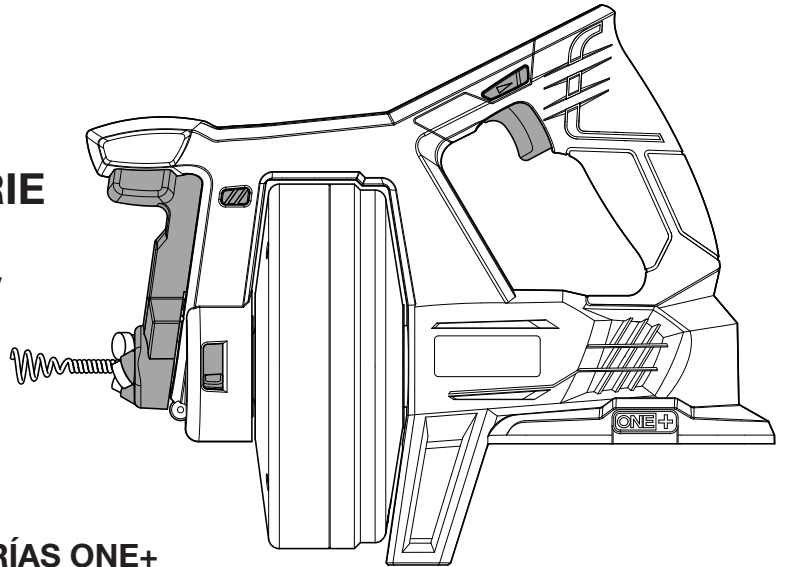




# OPERATOR'S MANUAL MANUEL D'UTILISATION MANUAL DEL OPERADOR

## 18 VOLT DRAIN AUGER DÉGORGEOIR POUR TUYAUTERIE DE 18 V BARRENA DE DRENAJE DE 18 V P4001



ACCEPTS ALL ONE+ BATTERY PACKS  
COMPATIBLE AVEC TOUS LE PILES ONE+  
ACEPTA TODOS LOS PAQUETES DE BATERÍAS ONE+

### TABLE OF CONTENTS

\*\*\*\*\*

- General Power Tool Safety Warnings.....2-3
- Drain Auger Safety Warnings .....3-4
- Symbols.....5
- Features.....6
- Assembly.....6
- Operation.....6-8
- Maintenance.....8
- Illustrations .....9-10
- Parts Ordering and Service .....Back page

### TABLE DES MATIÈRES

\*\*\*\*\*

- Avertissements de sécurité générales relatives aux outils électriques.....2-3
- Avertissements de sécurité relatifs dégorgeoir pour tuyauterie .....3-4
- Symboles.....5
- Caractéristiques .....6
- Assemblage.....6
- Utilisation .....6-8
- Entretien .....8
- Illustrations .....9-10
- Commande de pièces et dépannage ..... Page arrière

### ÍNDICE DE CONTENIDO

\*\*\*\*\*

- Advertencias de seguridad para herramientas eléctrica ..... 2-3
- Advertencias de seguridad de barrena de drenaje ..... 3-4
- Símbolos.....5
- Características .....6
- Armado .....6
- Funcionamiento ..... 6-8
- Mantenimiento .....8
- Ilustraciones..... 9-10
- Pedidos de piezas y servicio..... Pág. posterior

**⚠ WARNING:** To reduce the risk of injury, the user must read and understand the operator's manual before using this product.

**⚠ AVERTISSEMENT :** Pour réduire les risques de blessures, l'utilisateur doit lire et veiller à bien comprendre le manuel d'utilisation avant d'employer ce produit.

**⚠ ADVERTENCIA:** Para reducir el riesgo de lesiones, el usuario debe leer y comprender el manual del operador antes de usar este producto.

**SAVE THIS MANUAL FOR FUTURE REFERENCE**

**CONSERVER CE MANUEL POUR FUTURE RÉFÉRENCE**

**GUARDE ESTE MANUAL PARA FUTURAS CONSULTAS**

# GENERAL POWER TOOL SAFETY WARNINGS



## WARNING

Read all safety warnings and all instructions. Failure to follow the warnings and instructions may result in electric shock, fire and/or serious injury.

### Save all warnings and instructions for future reference.

The term “power tool” in the warnings refers to your mains-operated (corded) power tool or battery-operated (cordless) power tool.

## WORK AREA SAFETY

- **Keep work area clean and well lit.** Cluttered or dark areas invite accidents.
- **Do not operate power tools in explosive atmospheres, such as in the presence of flammable liquids, gases or dust.** Power tools create sparks which may ignite the dust or fumes.
- **Keep children and bystanders away while operating a power tool.** Distractions can cause you to lose control.

## ELECTRICAL SAFETY

- **Power tool plugs must match the outlet. Never modify the plug in any way. Do not use any adapter plugs with earthed (grounded) power tools.** Unmodified plugs and matching outlets will reduce risk of electric shock.
- **Avoid body contact with earthed or grounded surfaces such as pipes, radiators, ranges and refrigerators.** There is an increased risk of electric shock if your body is earthed or grounded.
- **Do not expose power tools to rain or wet conditions.** Water entering a power tool will increase the risk of electric shock.
- **Do not abuse the cord. Never use the cord for carrying, pulling or unplugging the power tool. Keep cord away from heat, oil, sharp edges or moving parts.** Damaged or entangled cords increase the risk of electric shock.
- **When operating a power tool outdoors, use an extension cord suitable for outdoor use.** Use of a cord suitable for outdoor use reduces the risk of electric shock.
- **If operating a power tool in a damp location is unavoidable, use a ground fault circuit interrupter (GFCI) protected supply.** Use of a GFCI reduces the risk of electric shock.
- **Use battery only with charger listed.** For use with 18V nickel-cadmium and 18V lithium-ion battery packs, see tool/appliance/battery pack/charger correlation supplement 987000-432.

## PERSONAL SAFETY

- **Stay alert, watch what you are doing and use common sense when operating a power tool. Do not use a power tool while you are tired or under the influence of drugs, alcohol or medication.** A moment of inattention while operating power tools may result in serious personal injury.
- **Use personal protective equipment. Always wear eye protection.** Protective equipment such as dust mask, non-skid safety shoes, hard hat, or hearing protection used for appropriate conditions will reduce personal injuries.
- **Prevent unintentional starting. Ensure the switch is in the off-position before connecting to power source and/or battery pack, picking up or carrying the tool.** Carrying power tools with your finger on the switch or energising power tools that have the switch on invites accidents.
- **Remove any adjusting key or wrench before turning the power tool on.** A wrench or a key left attached to a rotating part of the power tool may result in personal injury.
- **Do not overreach. Keep proper footing and balance at all times.** This enables better control of the power tool in unexpected situations.
- **Dress properly. Do not wear loose clothing or jewellery. Keep your hair, clothing and gloves away from moving parts.** Loose clothes, jewellery or long hair can be caught in moving parts.
- **If devices are provided for the connection of dust extraction and collection facilities, ensure these are connected and properly used.** Use of dust collection can reduce dust-related hazards.
- **Do not use on a ladder or unstable support.** Stable footing on a solid surface enables better control of the power tool in unexpected situations.

## POWER TOOL USE AND CARE

- **Do not force the power tool. Use the correct power tool for your application.** The correct power tool will do the job better and safer at the rate for which it was designed.
- **Do not use the power tool if the switch does not turn it on and off.** Any power tool that cannot be controlled with the switch is dangerous and must be repaired.

# GENERAL POWER TOOL SAFETY WARNINGS

- **Disconnect the plug from the power source and/or the battery pack from the power tool before making any adjustments, changing accessories, or storing power tools.** Such preventive safety measures reduce the risk of starting the power tool accidentally.
- **Store idle power tools out of the reach of children and do not allow persons unfamiliar with the power tool or these instructions to operate the power tool.** Power tools are dangerous in the hands of untrained users.
- **Maintain power tools. Check for misalignment or binding of moving parts, breakage of parts and any other condition that may affect the power tool's operation. If damaged, have the power tool repaired before use.** Many accidents are caused by poorly maintained power tools.
- **Keep cutting tools sharp and clean.** Properly maintained cutting tools with sharp cutting edges are less likely to bind and are easier to control.
- **Use the power tool, accessories and tool bits etc. in accordance with these instructions, taking into account the working conditions and the work to be performed.** Use of the power tool for operations different from those intended could result in a hazardous situation.

## BATTERY TOOL USE AND CARE

- **Recharge only with the charger specified by the manufacturer.** A charger that is suitable for one type of battery pack may create a risk of fire when used with another battery pack.
- **Use power tools only with specifically designated battery packs.** Use of any other battery packs may create a risk of injury and fire.
- **When battery pack is not in use, keep it away from other metal objects, like paper clips, coins, keys, nails, screws, or other small metal objects, that can make a connection from one terminal to another.** Shorting the battery terminals together may cause burns or a fire.
- **Under abusive conditions, liquid may be ejected from the battery; avoid contact. If contact accidentally occurs, flush with water. If liquid contacts eyes, additionally seek medical help.** Liquid ejected from the battery may cause irritation or burns.

## SERVICE

- **Have your power tool serviced by a qualified repair person using only identical replacement parts.** This will ensure that the safety of the power tool is maintained.
- **When servicing a power tool, use only identical replacement parts. Follow instructions in the Maintenance section of this manual.** Use of unauthorized parts or failure to follow Maintenance instructions may create a risk of shock or injury.

# DRAIN AUGER SAFETY WARNINGS

- **Always wear safety goggles or eye protection with side shields marked to comply with ANSI Z87.1 when assembling parts, operating the tool, or performing maintenance.** Following this rule will reduce the risk of serious personal injury.
- **Position the the drain auger within four inches of the drain or inlet being cleared.** Operating the tool at greater distances can result in the cable twisting or binding.
- **Avoid running the tool in reverse for extended periods of time** as this can damage the cable.
- **Never place your hand near the drum or the cable as it is rotating.** Following this rule will reduce the risk of serious personal injury.
- **Clogged drains may contain bacteria, cleaning solutions, or other potentially harmful substances.** Always wear protective clothing, eye protection, and gloves while operating this tool to prevent these substances from contacting your skin and eyes.
- **When removing the cable from a drain, remove it slowly to avoid "splash back".** Use warm, soapy water to clean hands and other body parts that may have been exposed to potentially harmful substances.
- **Battery tools do not have to be plugged into an electrical outlet; therefore, they are always in operating condition. Be aware of possible hazards when not using your battery tool or when changing accessories.** Following this rule will reduce the risk of electric shock, fire, or serious personal injury.
- **Do not place battery tools or their batteries near fire or heat.** This will reduce the risk of explosion and possibly injury.
- **Do not crush, drop or damage battery pack. Do not use a battery pack or charger that has been dropped or received a sharp blow.** A damaged battery is subject to explosion. Properly dispose of a dropped or damaged battery immediately.

# DRAIN AUGER SAFETY WARNINGS

- **Batteries can explode in the presence of a source of ignition, such as a pilot light.** To reduce the risk of serious personal injury, never use any cordless product in the presence of open flame. An exploded battery can propel debris and chemicals. If exposed, flush with water immediately.
- **Do not charge battery tool in a damp or wet location.** Following this rule will reduce the risk of electric shock.
- **For best results, your battery tool should be charged in a location where the temperature is more than 50°F but less than 100°F.** To reduce the risk of serious personal injury, do not store outside or in vehicles.
- **Under extreme usage or temperature conditions, battery leakage may occur. If liquid comes in contact with your skin, wash immediately with soap and water. If liquid gets into your eyes, flush them with clean water for at least 10 minutes, then seek immediate medical attention.** Following this rule will reduce the risk of serious personal injury.
- **Save these instructions.** Refer to them frequently and use them to instruct others who may use this tool. If you loan someone this tool, loan them these instructions also.




## CALIFORNIA PROPOSITION 65

### **WARNING:**









This product and substances that may become airborne from its use may contain chemicals, including lead, known to the State of California to cause cancer, birth defects, or other reproductive harm. ***Wash hands after handling.***

# SYMBOLS

The following signal words and meanings are intended to explain the levels of risk associated with this product.

SYMBOL	SIGNAL	MEANING
	<b>DANGER:</b>	Indicates an imminently hazardous situation, which, if not avoided, will result in death or serious injury.
	<b>WARNING:</b>	Indicates a potentially hazardous situation, which, if not avoided, could result in death or serious injury.
	<b>CAUTION:</b>	Indicates a potentially hazardous situation, which, if not avoided, may result in minor or moderate injury.
	<b>NOTICE:</b>	(Without Safety Alert Symbol) Indicates important information not related to an injury hazard, such as a situation that may result in property damage.

Some of the following symbols may be used on this product. Please study them and learn their meaning. Proper interpretation of these symbols will allow you to operate the product better and safer.

SYMBOL	NAME	DESIGNATION/EXPLANATION
	Safety Alert	Indicates a potential personal injury hazard.
	Read Operator's Manual	To reduce the risk of injury, user must read and understand operator's manual before using this product.
	Eye Protection	Always wear safety goggles or eye protection with side shields marked to comply with ANSI Z87.1.
	Wet Conditions Alert	Do not expose to rain or use in damp locations.
	Wear Gloves	Wear non-slip, heavy-duty protective gloves when handling the drain auger.
	Long Hair	Risk of long hair being drawn into rotating drum.
	Loose Clothing	Risk of loose clothing being drawn into rotating drum.
	Recycle Symbols	This product uses nickel-cadmium (Ni-Cd) and lithium-ion (Li-ion) batteries. Local, state or federal laws may prohibit disposal of batteries in ordinary trash. Consult your local waste authority for information regarding available recycling and/or disposal options.
V	Volts	Voltage
min	Minutes	Time
—	Direct Current	Type or a characteristic of current
$n_0$	No Load Speed	Rotational speed, at no load
.../min	Per Minute	Revolutions, strokes, surface speed, orbits etc., per minute

# FEATURES

## PRODUCT SPECIFICATIONS

Cable Diameter..... 0.25 in.  
Cable Length ..... 25 ft.

Minimum pipe size (diameter) ..... 0.75 in.  
Maximum pipe size (diameter) ..... 2 in.

# ASSEMBLY

### **WARNING:**

Do not use this product if it is not completely assembled or if any parts appear to be missing or damaged. Use of a product that is not properly and completely assembled or with damaged or missing parts could result in serious personal injury.

### **WARNING:**

Do not attempt to modify this product or create accessories or attachments not recommended for use with this product. Any such alteration or modification is misuse and could result in a hazardous condition leading to possible serious personal injury.

If any parts are damaged or missing, please call 1-800-525-2579 for assistance.

# OPERATION

### **WARNING:**

Do not allow familiarity with this product to make you careless. Remember that a careless fraction of a second is sufficient to inflict serious injury.

### **WARNING:**

Always remove battery pack from the tool when you are assembling parts, making adjustments, cleaning, or when not in use. Removing battery pack will prevent accidental starting that could cause serious personal injury.

### **WARNING:**

Always wear eye protection with side shields marked to comply with ANSI Z87.1. Failure to do so could result in objects being thrown into your eyes and other possible serious injuries.

### **WARNING:**

Do not use any attachments or accessories not recommended by the manufacturer of this product. The use of attachments or accessories not recommended can result in serious personal injury.

## APPLICATIONS

You may use this product for the purposes listed below:

- Clearing obstructions from sinks, toilets, and bathtubs.

## INSTALLING/REMOVING BATTERY PACK

See Figure 1, page 9.

- Lock the switch trigger.
- Insert the battery pack into the product as shown.
- Make sure the latches on each side of the battery pack snap in place and that battery pack is secured in the product before beginning operation.
- Depress the latches to remove the battery pack.

For complete charging instructions, see the operator's manuals for your battery pack and charger.

## VARIABLE SPEED SWITCH TRIGGER

See Figure 2, page 9.

The variable speed switch trigger delivers higher speed with increased trigger pressure and lower speed with decreased trigger pressure.

To turn the tool **ON**, depress the switch trigger. To turn it **OFF**, release the switch trigger and allow the cable to come to a complete stop.



# OPERATION

## DIRECTION OF ROTATION SELECTOR (FORWARD/REVERSE/CENTER LOCK)

See Figure 2, page 9.

Set the direction of rotation selector in the **OFF** (center lock) position to lock the switch trigger and help prevent accidental starting when not in use.

Position the direction of rotation selector to the left of the switch trigger for forward operation. Position the selector to the right of the switch trigger to reverse the direction.

**NOTE:** The tool will not run unless the direction of rotation selector is pushed fully to the left or right.

### NOTICE:

To prevent gear damage, always allow the cable to come to a complete stop before changing the direction of rotation.

### WARNING:

Battery tools are always in operating condition. Lock the switch when not in use or carrying at your side, when installing or removing the battery pack, and when manually advancing or retracting the cable.

## AUTO-FEED LOCK

See Figure 3, page 9.

The auto-feed lock feature allows the user to advance the cable using the switch trigger without holding the pommel.

- To engage, squeeze the pommel and push the auto-feed lock button to the left.
- To release, squeeze the pommel and push the auto-feed lock button to the right.

## ADVANCING/RETRACTING THE CABLE

See Figures 4 and 5, page 10.

### To manually advance the cable:

- Lock the switch trigger by placing the direction of rotation selector in center position.
- Hold the front handle with one hand and advance the cable with the other.

**NOTE:** Once the cable has been advanced to your desired length, it can be locked in place with the cable lock lever. Move the lever down to engage the clamp and up to disengage.

- To retract the cable, hold the front handle with one hand and pull the cable back with the other.

### NOTICE:

Do not advance or retract the cable using the switch trigger unless the cable is in a drain pipe.

### To advance the cable using the switch trigger:

- Squeeze the pommel and, if desired, engage the auto-feed lock.
- Place the direction of rotation selector in the forward position.
- Squeeze and hold the switch trigger to advance the cable.

**NOTE:** Once the cable has been advanced to your desired length, it can be locked in place with the cable lock lever. Move the lever down to engage the clamp and up to disengage.

### NOTICE:

Do not attempt to advance or retract the cable using the switch trigger with the clamp engaged.

- To retract the cable, place the direction of rotation selector in the reverse position, squeeze the pommel, and depress the switch trigger.

### NOTICE:

Do not run the drain auger in forward or reverse for extended periods of time. Failure to follow these instructions can result in damage to the tool.

## USING THE DRAIN AUGER

See Figures 6 and 7, page 10.

The drain auger can be used to clear obstructions from a variety of drains including sink, bathtub, and toilet drains.

**NOTE:** This product can be used to clear drain pipes with minimum diameters of 0.75 in. and maximum diameters of 2 in.

### To clear obstructions:

- Remove the cap from the end of the cable.
- When removing an obstruction from a sink or a bathtub, it may be necessary to remove the stopper or overflow cover to gain access to the drain pipe. Toilet drains can be accessed directly through the base of the bowl.
- Hold the drain auger within four inches of the drain or overflow, and manually feed the cable into the drain pipe.  
**NOTE:** Advance the cable slowly at first. Advancing it too rapidly can result in twisting or binding.
- After feeding about six inches of cable into the drain, you may begin advancing the cable using the switch trigger or continue advancing it manually.

# OPERATION

- The cable should advance freely through the drain pipe until it contacts the obstruction or is caught in a P-trap.
  - If the cable is caught in a P-trap, additional force or increased trigger pressure should be enough to advance it past the bend in the pipe.
  - If the cable has contacted an obstruction, there are two ways to remove it:
    - Advance the cable by squeezing the switch trigger. Hold the trigger for several seconds allowing the tip of the cable to bore into the obstruction. **If the cable stops rotating, release the switch trigger to avoid kinking or damaging the cable.** Clamp the cable in place, then push or pull until the obstruction is dislodged. Unclamp the cable and slowly retract it from the drain pipe.
    - Release the pommel and, if necessary, disengage the auto-feed lock. Squeeze the switch trigger. The cable will rotate, but it will not advance. Hold the trigger for several seconds allowing the obstruction to wrap around the cable. **If the cable stops rotating, release the switch trigger to avoid kinking or damaging the cable.** Then slowly retract the cable and pull the obstruction through the drain.
- NOTE:** When removing the cable from a drain, remove it slowly to avoid “splash back”.
- Once the obstruction is cleared, attempt to flush your toilet or run water through your drain to confirm that the water is flowing freely.
  - After the cable has been properly cleaned, as described in the next section, place the cap on the end of the cable.

## CLEANING THE DRAIN AUGER

*See Figures 8 and 9, page 10.*

The drain auger should be cleaned after each use to prevent contamination and residue build up.

### To drain the drum:

- Remove the battery pack from the tool.
- Hold the tool at an angle and lift the drain tab located on the back of the tool.
- Allow any liquids inside the drum to pour down a drain or into a container approved for liquid waste.

### To clean the cable:

- Remove the battery pack from the tool.
- Using a clean cloth and warm soapy water, pull the cable out from the tool, cleaning it as it advances. Continue until the cable has been fully advanced and completely cleaned.
- Using a clean, dry cloth, pull the cable back into the tool, drying it as it retracts. Continue until the cable has been fully retracted.
- To ensure that no water entered the tool, drain the drum as described earlier.
- Place the cap on the end of the cable.

### **NOTICE:**

Do not advance or retract the cable using the switch trigger unless the cable is in a drain pipe.

# MAINTENANCE

## **WARNING:**

When servicing, use only identical replacement parts. Use of any other parts could create a hazard or cause product damage.

## GENERAL MAINTENANCE

Avoid using solvents when cleaning plastic parts. Most plastics are susceptible to damage from various types of commercial solvents and may be damaged by their use. Use clean cloths to remove dirt, dust, oil, grease, etc.

**NOTE: ILLUSTRATIONS START ON PAGE 9 AFTER FRENCH AND SPANISH LANGUAGE SECTIONS.**





# AVERTISSEMENTS DE SÉCURITÉ GÉNÉRALES RELATIVES AUX OUTILS ÉLECTRIQUES



## AVERTISSEMENT

### **Lire tous les avertissements et toutes les instructions.**

Ne pas suivre l'ensemble des avertissements et des instructions peut entraîner une électrocution, un incendie ou des blessures graves.

**Conserver les avertissements et les instructions à des fins de référence ultérieure.** Le terme « outil motorisé », utilisé dans tous les avertissements ci-dessous désigne tout outil fonctionnant sur secteur (câblé) ou sur piles (sans fil).

## SÉCURITÉ DU LIEU DE TRAVAIL

- **Garder le lieu de travail propre et bien éclairé.** Les endroits encombrés ou sombres sont propices aux accidents.
- **Ne pas utiliser d'outils électriques dans des atmosphères explosives, par exemple en présence de liquides, gaz ou poussières inflammables.** Les outils électriques produisent des étincelles risquant d'enflammer les poussières ou vapeurs.
- **Garder les enfants et badauds à l'écart pendant l'utilisation d'un outil électrique.** Les distractions peuvent causer une perte de contrôle.

## SÉCURITÉ ÉLECTRIQUE

- **Les fiches des outils électriques doivent correspondre à la prise secteur utilisée. Ne jamais modifier la fiche, de quelque façon que ce soit. Ne jamais utiliser d'adaptateurs de fiche avec des outils mis à la terre.** Les fiches et prises non modifiées réduisent le risque de choc électrique.
- **Éviter tout contact du corps avec des surfaces mises à la terre, telles que tuyaux, radiateurs, cuisinières et réfrigérateurs.** Le risque de choc électrique est accru lorsque le corps est mis à la terre.
- **Ne pas exposer les outils électriques à l'eau ou l'humidité.** La pénétration d'eau dans ces outils accroît le risque de choc électrique.
- **Ne pas maltraiter le cordon d'alimentation. Ne jamais utiliser le cordon d'alimentation pour transporter l'outil et ne jamais débrancher ce dernier en tirant sur le cordon. Garder le cordon à l'écart de la chaleur, de l'huile, des objets tranchants et des pièces en mouvement.** Un cordon endommagé ou emmêlé accroît le risque de choc électrique.
- **Pour les travaux à l'extérieur, utiliser un cordon spécialement conçu à cet effet.** Utiliser un cordon conçu pour l'usage extérieur pour réduire les risques de choc électrique.

- **S'il est nécessaire d'utiliser l'outil électrique dans un endroit humide, employer un dispositif interrupteur de défaut à la terre (GFCI).** L'utilisation d'un GFCI réduit le risque de décharge électrique.
- **Ne recharger les piles qu'avec l'appareil indiqué.** Pour utiliser l'appareil avec des piles au nickel-cadmium et au lithium-ion de 18 V, consulter le supplément de raccordement pour chargeur/outils/piles/appareil n° 987000-432.

## SÉCURITÉ PERSONNELLE

- **Rester attentif, prêter attention au travail et faire preuve de bon sens lors de l'utilisation de tout outil électrique. Ne pas utiliser cet outil en état de fatigue ou sous l'influence de l'alcool, de drogues ou de médicaments.** Un moment d'inattention pendant l'utilisation d'un outil électrique peut entraîner des blessures graves.
- **Utiliser l'équipement de sécurité. Toujours porter une protection oculaire.** L'équipement de sécurité, tel qu'un masque filtrant, de chaussures de sécurité, d'un casque ou d'une protection auditive, utilisé dans des conditions appropriées réduira le risque de blessures.
- **Éviter les démarrages accidentels. S'assurer que le commutateur est en position d'arrêt avant de brancher l'outil.** Porter un outil avec le doigt sur son commutateur ou brancher un outil dont le commutateur est en position de marche peut causer un accident.
- **Retirer les clés de réglage avant de mettre l'outil en marche.** Une clé laissée sur une pièce rotative de l'outil peut causer des blessures.
- **Ne pas travailler hors de portée. Toujours se tenir bien campé et en équilibre.** Ceci permettra de mieux contrôler l'outil en cas de situation imprévue.
- **Porter une tenue appropriée. Ne porter ni vêtements amples, ni bijoux. Garder les cheveux, les vêtements et les gants à l'écart des pièces en mouvement.** Les vêtements amples, bijoux et cheveux longs peuvent se prendre dans les pièces en mouvement.
- **Si les outils sont équipés de dispositifs de dépoussiérage, s'assurer qu'ils sont connectés et correctement utilisés.** L'usage de ces dispositifs de dépoussiérage peut réduire les dangers présentés par la poussière.
- **Ne pas utiliser l'outil sur une échelle ou un support instable.** Une bonne tenue et un bon équilibre permettent de mieux contrôler l'outil en cas de situation imprévue.

# AVERTISSEMENTS DE SÉCURITÉ GÉNÉRALES RELATIVES AUX OUTILS ÉLECTRIQUES

## UTILISATION ET ENTRETIEN DES OUTILS ÉLECTRIQUES

- **Ne pas forcer l'outil. Utiliser l'outil approprié pour l'application.** Un outil approprié exécutera le travail mieux et de façon moins dangereuse s'il est utilisé dans les limites prévues.
- **Ne pas utiliser l'outil si le commutateur ne permet pas de le mettre en marche ou de l'arrêter.** Tout outil qui ne peut pas être contrôlé par son commutateur est dangereux et doit être réparé.
- **Débrancher l'outil et/ou retirer le bloc-piles avant d'effectuer des réglages, de changer d'accessoire ou de remiser l'outil.** Ces mesures de sécurité préventives réduisent les risques de démarrage accidentel de l'outil.
- **Ranger les outils motorisés hors de la portée des enfants et ne laisser personne n'étant pas familiarisé avec l'outil ou ces instructions utiliser l'outil.** Dans les mains de personnes n'ayant pas reçu des instructions adéquates, les outils sont dangereux.
- **Entretenir les outils motorisés. Vérifier qu'aucune pièce mobile n'est mal alignée ou bloquée, qu'aucune pièce n'est brisée et s'assurer qu'aucun autre problème ne risque d'affecter le bon fonctionnement de l'outil. En cas de dommages faire réparer l'outil avant de l'utiliser de nouveau.** Beaucoup d'accidents sont causés par des outils mal entretenus.
- **Garder les outils bien affûtés et propres.** Des outils correctement entretenus et dont les tranchants sont bien affûtés risquent moins de se bloquer et sont plus faciles à contrôler.
- **Utiliser l'outil, les accessoires et embouts, etc. conformément à ces instructions pour les applications pour lesquelles ils sont conçus, en tenant compte des conditions et du type de travail à exécuter.** L'usage

d'un outil motorisé pour des applications pour lesquelles il n'est pas conçu peut être dangereux.

## UTILISATION ET ENTRETIEN DE LA PILE

- **Ne recharger qu'avec l'appareil spécifié par le fabricant.** Un chargeur approprié pour un type de pile peut créer un risque d'incendie s'il est utilisé avec un autre type de pile.
- **Utiliser exclusivement le bloc-pile spécifiquement indiqué pour l'outil.** L'usage de tout autre bloc peut créer un risque de blessures et d'incendie.
- **Lorsque le bloc-piles n'est pas en usage, le garder à l'écart d'articles tels qu'attaches trombones, pièces de monnaie, clous, vis ou autres petits objets métalliques risquant d'établir le contact entre les deux bornes.** La mise en court-circuit des bornes de piles peut causer des étincelles, des brûlures ou un incendie.
- **En cas d'usage abusif, du liquide peut s'échapper des piles. Éviter tout contact avec ce liquide. En cas de contact accidentel, rincer immédiatement les parties atteintes avec de l'eau. En cas d'éclaboussure dans les yeux consulter un médecin.** Le liquide s'échappant des piles peut causer des irritations ou des brûlures.

## DÉPANNAGE

- **Les réparations doivent être confiées à un technicien qualifié, utilisant exclusivement des pièces identiques à celles d'origine.** Ceci assurera le maintien de la sécurité de l'outil.
- **Utiliser exclusivement des pièces identiques à celles d'origine pour les réparations. Se conformer aux instructions de la section Entretien de ce manuel.** L'usage de pièces non autorisées ou le non-respect des instructions peut présenter des risques de choc électrique ou de blessures.

# AVERTISSEMENTS DE SÉCURITÉ RELATIFS AU DÉGORGEUR POUR TUYAUTERIE

- **Toujours porter lunettes protectrices ou une protection oculaire munie d'écrans latéraux certifiée conforme à la norme ANSI Z87.1 lors du montage des pièces, du fonctionnement de l'outil ou au moment de l'entretien.** Le respect de cette règle réduira les risques de blessures graves.
- **Positionner le dégorgeur à moins de 10 cm (4 po) du tuyau ou de l'ouverture à débloquer.** Une distance d'utilisation plus grande risque de provoquer la rotation ou le coincement du câble.
- **Éviter de faire fonctionner l'outil en marche arrière pendant de longues périodes pour éviter d'endommager le câble.**
- **Ne jamais placer la main près du tambour ou du câble pendant qu'il tourne.** Suivre cette règle pour réduire le risque de blessure grave.
- **Les tuyaux obstrués contiennent des bactéries, des solutions de nettoyage ou d'autres substances pouvant être nocives.** Toujours, porter des vêtements de protection, une protection pour les yeux et des gants pendant le fonctionnement de cet outil pour éviter que ces substances n'entrent en contact avec la peau et les yeux.

# AVERTISSEMENTS DE SÉCURITÉ RELATIFS AU DÉGORGEOIR POUR TUYAUTERIE

- **Lorsqu'il est temps de retirer le câble du tuyau, le retirer lentement pour éviter les éclaboussures.** Nettoyer les mains et autres parties du corps ayant possiblement été en contact avec des substances nocives avec de l'eau chaude savonneuse.
- **Les outils fonctionnant sur piles n'ayant pas besoin d'être branchés sur une prise secteur, ils sont toujours en état de fonctionnement. Tenir compte des dangers possibles lorsque l'outil n'est pas en usage et lors du remplacement des piles.** Le respect de cette consigne réduira les risques d'incendie, de choc électrique et de blessures graves.
- **Ne pas placer les outils électriques sans fil ou leurs piles à proximité de flammes ou d'une source de chaleur.** Ceci réduira les risques d'explosion et de blessures.
- **Ne pas écraser, faire tomber ou endommager le bloc-piles. Ne jamais utiliser un bloc-piles ou un chargeur qui est tombé, a été écrasé, a reçu un choc violent ou a été endommagé de quelque façon que ce soit.** Une pile endommagée risque d'exploser. Éliminer immédiatement toute pile endommagée, selon une méthode appropriée.
- **Les piles peuvent exploser en présence d'une source d'allumage, telle qu'une veilleuse.** Pour réduire les risques de blessures graves, ne jamais utiliser un appareil sans fil, quel qu'il soit, en présence d'une flamme vive. En explosant, une pile peut projeter des débris et des produits chimiques. En cas d'exposition, rincer immédiatement les parties atteintes avec de l'eau.
- **Ne pas recharger un outil fonctionnant sur piles dans un endroit humide ou mouillé.** Le respect de cette règle réduira les risques de choc électrique.
- **Pour un résultat optimal, les piles de l'outil doivent être rechargées dans un local où la température est de 10 à 38 °C (50 à 100 °F).** Ne pas ranger l'outil à l'extérieur ou dans un véhicule.
- **Si l'outil est utilisé de façon intensive ou sous des températures extrêmes, des fuites de pile peuvent se produire. En cas de contact du liquide avec la peau, rincer immédiatement la partie atteinte avec de l'eau. En cas d'éclaboussure dans les yeux, les rincer à l'eau fraîche pendant au moins 10 minutes, puis contacter immédiatement un médecin.** Le respect de cette règle réduira les risques de blessures graves.
- **Conserver ces instructions.** Les consulter fréquemment et les utiliser pour instruire les autres utilisateurs éventuels. Si cet outil est prêté, il doit être accompagné de ces instructions.




## PROPOSITION 65 DE L'ÉTAT DE CALIFORNIE

### AVERTISSEMENT :









Ce produit et les autres substances rejetées dans l'air suite à son utilisation peuvent contenir des produits chimiques, notamment du plomb qui, selon l'État de la Californie, peuvent causer le cancer, des anomalies congénitales et d'autres dommages au système reproducteur. ***Bien se laver les mains après toute manipulation.***

# SYMBOLES

Les termes de mise en garde suivants et leur signification ont pour but d'expliquer le degré de risques associé à l'utilisation de ce produit.

SYMBOLE	SIGNAL	SIGNIFICATION
	<b>DANGER :</b>	Indique une situation extrêmement dangereuse qui, si elle n'est pas évitée, aura pour conséquences des blessures graves ou mortelles.
	<b>AVERTISSEMENT :</b>	Indique une situation potentiellement dangereuse qui, si elle n'est pas évitée, pourrait entraîner des blessures graves ou mortelles.
	<b>ATTENTION :</b>	Indique une situation potentiellement dangereuse qui, si elle n'est pas évitée, pourrait entraîner des blessures légères ou de gravité modérée.
	<b>AVIS :</b>	(Sans symbole d'alerte de sécurité) Indique une information importante ne concernant pas un risque de blessure comme une situation pouvant occasionner des dommages matériels.

Certains des symboles ci-dessous peuvent être utilisés sur produit. Veiller à les étudier et à apprendre leur signification. Une interprétation correcte de ces symboles permettra d'utiliser produit plus efficacement et de réduire les risques.

SYMBOLE	NOM	DÉSIGNATION / EXPLICATION
	Symbole d'alerte de sécurité	Indique un risque de blessure potentiel.
	Lire manuel d'utilisation	Pour réduire les risques de blessures, l'utilisateur doit lire et veiller à bien comprendre le manuel d'utilisation avant d'utiliser ce produit.
	Protection oculaire	Toujours porter lunettes protectrices ou une protection oculaire avec écrans latéraux certifiée conforme à la norme ANSI Z87.1.
	Avertissement concernant l'humidité	Ne pas exposer à la pluie ou l'humidité.
	Gants	Porter des gants épais et antidérapants pour manipuler le dégorgeoir pour tuyauterie.
	Cheveux longs	Les cheveux longs risquent de s'enrouler dans le tambour en rotation.
	Vêtements amples	Les vêtements amples risquent de s'enrouler dans le tambour en rotation.
	Symboles de recyclage	Ce produit utilise les piles de nickel-cadmium (Ni-Cd) et lithium-ion (Li-ion). Les réglementations locales ou gouvernementales peuvent interdire de jeter les piles dans les ordures ménagères. Consulter les autorités locales compétentes pour les options de recyclage et/ou l'élimination.
V	Volts	Tension
min	Minutes	Temps
—	Courant continu	Type ou caractéristique du courant
$n_0$	Vitesse à vide	Vitesse de rotation à vide
.../min	Par minute	Tours, coups, vitesse périphérique, orbites, etc., par minute

# CARACTÉRISTIQUES

## FICHE TECHNIQUE

Diamètre du câble ..... 6,35 mm (0,25 po)  
Longueur du câble ..... 7,62 m (25 pi)

Dimension min. du tuyau (diamètre)..... 19,1 mm (0,75 po)  
Dimension maximum du tuyau (diamètre)... 50,8 mm (2 po)

## ASSEMBLAGE

### **AVERTISSEMENT :**

Ne pas utiliser le produit s'il n'est pas complètement assemblé ou si des pièces semblent manquantes ou endommagées. L'utilisation d'un produit dont l'assemblage est incorrect ou incomplet ou comportant des pièces endommagées ou absentes représente un risque de blessures graves.

### **AVERTISSEMENT :**

Ne pas essayer de modifier cet outil ou de créer des pièces et accessoires non recommandés. De telles altérations ou modifications sont considérées comme un usage abusif et peuvent créer des conditions dangereuses, risquant d'entraîner des blessures graves.

Si des pièces sont manquantes ou endommagées, appeler le 1-800-525-2579.

## UTILISATION

### **AVERTISSEMENT :**

Ne pas laisser la familiarité avec l'outil faire oublier la prudence. Ne pas oublier qu'une fraction de seconde d'inattention peut entraîner des blessures graves.

### **AVERTISSEMENT :**

Toujours retirer la batterie de l'outil au moment d'assembler des pièces, d'effectuer des réglages et de procéder au nettoyage, ou lorsque l'outil n'est pas utilisé. Le fait de retirer la batterie permet d'empêcher un démarrage accidentel pouvant entraîner des blessures graves.

### **AVERTISSEMENT :**

Toujours porter une protection oculaire munie d'écrans latéraux et conforme à la norme ANSI Z87.1. Ne pas suivre cette directive pourrait entraîner des blessures graves comme la projection d'objets dans vos yeux.

### **AVERTISSEMENT :**

Ne pas utiliser d'outils ou accessoires non recommandés pour cet outil. L'utilisation de pièces et accessoires non recommandés peut entraîner des blessures graves.

## APPLICATIONS

Cet outil peut être utilisé pour les applications ci-dessous :

- Déblocage des éviers, toilettes et baignoires

## INSTALLATION / RETRAIT DU BLOC-PILES

Voir la figure 1, page 9.

- Verrouiller la gâchette.
- Insérer la pile dans l'outil comme illustré.
- S'assurer que les loquets de chaque côté de la pile s'enclenchent en place et que la pile est bien fixée à l'outil avant de mettre l'outil en marche.
- Relâcher les loquets pour retirer le bloc-piles.

Pour prendre connaissance des consignes de chargement, consulter le manuel d'utilisation des piles et des chargeurs.

## GÂCHETTE À VARIATION DE VITESSE

Voir la figure 2, page 9.

La gâchette avec variation de vitesse procurera des vitesses plus élevées si une pression accrue est exercée et des vitesses moins élevées dans le cas d'une pression réduite.

Pour mettre l'outil **EN MARCHÉ**, appuyer sur la gâchette. Pour **ÉTEINDRE** l'outil, relâcher la gâchette et laisser le câble parvenir à l'arrêt complet.



# UTILISATION

## SÉLECTEUR DE SENS DE ROTATION (AVANT / ARRIÈRE / POSITION CENTRALE VERROUILLÉE)

Voir la figure 2, page 9.

Régler le sélecteur de sens de rotation à la position d'**ARRÊT** (position centrale verrouillée) pour verrouiller la gâchette pour réduire la possibilité d'un démarrage accidentel lorsque l'appareil n'est pas utilisé.

Positionner le sélecteur de sens de rotation du côté gauche de la gâchette pour pouvoir percer vers l'avant. Positionner le sélecteur de sens de rotation du côté droit de la gâchette pour inverser le sens de rotation.

**NOTE :** La perceuse ne peut fonctionner que si le sélecteur de sens de rotation est poussé à fond vers la droite ou la gauche.

### AVIS :

Pour éviter des dommages aux engrenages, toujours laisser le mandrin parvenir à l'arrêt complet avant de changer de sens de rotation.



### AVERTISSEMENT :

Les outils à piles sont toujours en état de fonctionnement. Verrouiller la gâchette de commande lorsque l'outil n'est pas en usage ou pendant son transport, lors de l'installation ou du retrait du bloc-piles, et lors de la marche avant ou arrière du câble.

## BOUTON DE VERROUILLAGE DE MARCHÉ AVANT

Voir la figure 3, page 9.

La caractéristique de verrouillage du bouton de marche avant permet à l'utilisateur de faire progresser le câble vers l'avant grâce à l'interrupteur à gâchette sans avoir à tenir le pommeau.

- Pour commencer, presser le pommeau et pousser le bouton de verrouillage de marche avant vers la gauche.
- Pour arrêter, presser le pommeau et pousser le bouton de verrouillage de marche avant vers la droite.

## MARCHE AVANT/ARRIÈRE DU CÂBLE

Voir les figures 4 et 5, page 10.

### Pour sortir manuellement le câble :

- Verrouiller la gâchette en mettant le sélecteur de sens de rotation en position centrale.
- Tenir la poignée frontale avec une main et sortir le câble avec l'autre main.

**NOTE :** Dès que la longueur de sortie désirée du câble est atteinte, utiliser le levier de blocage du câble pour le bloquer en place. Abaisser le levier pour enclencher le serre-câble ou vers le haut pour déclencher le serre-câble.

- Pour embobiner le câble, tenir la poignée frontale avec une main et rentrer le câble avec l'autre main.

### AVIS:

Ne pas sortir ou rentrer le câble en utilisant l'interrupteur à gâchette sauf si le câble se trouve dans le tuyau de drainage.

### Pour sortir le câble en utilisant l'interrupteur à gâchette :

- Presser le pommeau et, si désiré, enclencher le bouton de verrouillage de marche avant
- Positionner la direction du sélecteur de rotation en position avant.
- Appuyer et maintenir la gâchette d'interrupteur enfoncée pour sortir le câble.

**NOTE :** Dès que la longueur de sortie désirée du câble est atteinte, utiliser le levier de blocage du câble pour le bloquer en place. Abaisser le levier pour enclencher le serre-câble ou vers le haut pour déclencher le serre-câble.

### AVIS :

Ne pas sortir ou rentrer le câble en utilisant l'interrupteur à gâchette si le serre-câble est enclenché.

- Pour rentrer le câble, positionner la direction du sélecteur de rotation en position arrière, presser le pommeau et relâcher l'interrupteur à gâchette.

### AVIS :

Ne pas faire fonctionner le dégorgeoir pour tuyauterie en marche avant ou arrière pendant de longues périodes de temps. Ne pas respecter ces instructions risque d'endommager l'outil.

## UTILISATION DU DÉGORGEOIR POUR TUYAUTERIE

Voir les figures 6 et 7, page 10.

Le dégorgeoir pour tuyauterie peut être utilisé pour débloquer les obstructions d'une grande variété de tuyaux y compris ceux des éviers, baignoires et toilettes.

**NOTE :** Ce produit peut être utilisé pour débloquer les tuyaux de drainage ayant un diamètre minimum de 1,9 cm (3/4 po) et un diamètre maximum de 5 cm (2 po).

### Pour débloquer les obstructions :

- Retirer le capuchon situé à l'extrémité du câble.
- Pour pouvoir débloquer une obstruction d'un évier ou d'une baignoire, il peut être nécessaire de retirer le bouchon ou le couvercle de trop-plein pour pouvoir accéder au tuyau de drainage. Les drains de toilette sont accessibles directement par la base de la cuvette.
- Tenir le dégorgeoir pour tuyauterie à moins de 10 cm (4 po) du tuyau ou du trop-plein et sortir manuellement le câble et le faire pénétrer dans le tuyau de drainage.

# UTILISATION

**NOTE :** Au début, sortir lentement le câble. Une sortie trop rapide risque de provoquer la rotation ou le coincement du câble.

- Après avoir fait pénétrer le câble dans le tuyau sur une distance d'environ 15 cm (6 po), faire sortir le câble en utilisant l'interrupteur à gâchette ou continuer de faire sortir manuellement le câble.
- Le câble doit progresser librement dans le tuyau de drainage jusqu'à ce qu'il touche l'obstruction ou se coince dans le siphon-P.
- Si le câble est coincé dans le siphon-P, une plus grande force ou une augmentation de la pression sur la gâchette devrait suffire à faire progresser le câble au-delà du point de coincement.
- Si le câble a touché l'obstruction, voici deux méthodes pour la retirer :
  - Sortir le câble en appuyant sur l'interrupteur à gâchette. Maintenir la gâchette pendant plusieurs secondes pour permettre à l'extrémité du câble de percer l'obstruction. **Si le câble cesse de tourner, relâcher l'interrupteur à gâchette pour éviter de plier ou d'endommager le câble.** Enclencher le serre-câble pour bloquer le câble puis pousser ou tirer jusqu'à ce que l'obstruction se déloge. Déclencher le serre-câble pour débloquer le câble puis sortir lentement ce dernier hors du tuyau de drainage.
  - Relâcher le pommeau et, si nécessaire, déclencher le bouton de verrouillage de marche avant. Appuyer sur l'interrupteur à gâchette. Le câble tournera sans être en marche avant. Maintenir la gâchette enfoncée pendant plusieurs secondes pour laisser l'obstruction s'enrouler sur le câble. **Si le câble cesse de tourner, relâcher l'interrupteur à gâchette pour éviter de plier ou d'endommager le câble.** Embobiner ensuite le câble et tirer l'obstruction par le tuyau.

**NOTE :** Sortir lentement le câble hors du tuyau pour éviter les éclaboussements.

- Dès que les débris sont sortis, tenter d'effectuer une chasse de la toilette ou faire couler l'eau dans le tuyau pour confirmer la libre circulation d'eau.
- Après avoir nettoyé le câble en profondeur, comme décrit au chapitre suivant, installer le capuchon sur l'extrémité du câble.

## NETTOYAGE DU DÉGORGEUR POUR TUYAUTERIE

*Voir les figures 8 et 9, page 10.*

Le dégorgeur pour tuyauterie doit être nettoyé après chaque utilisation pour éviter la contamination et l'accumulation de résidus.

### Pour vidanger tambour :

- Retirer le bloc-piles de l'outil.
- Tenir et incliner l'outil et soulever la languette de vidange située à l'arrière de l'outil.
- Vidanger tous les liquides à l'intérieur du tambour dans un tuyau ou un contenant approuvé pour les déchets liquides.

### Pour nettoyer le câble :

- Retirer le bloc-piles de l'outil.
- Avec un linge propre et de l'eau chaude savonneuse, sortir le câble de l'outil tout en le nettoyant au fur et à mesure. Continuer jusqu'à ce que toute la longueur du câble soit sortie et entièrement propre.
- Avec un linge propre et sec, assécher et rentrer le câble au fur et à mesure qu'il est rentré. Continuer jusqu'à ce que toute la longueur du câble soit rentrée.
- Pour s'assurer qu'aucune quantité d'eau n'est pénétrée l'outil, vidanger le tambour comme décrit précédemment.
- Installer le capuchon sur l'extrémité du câble.

### AVIS:

Ne pas sortir ou rentrer le câble en utilisant l'interrupteur à gâchette sauf si le câble se trouve dans le tuyau de drainage.

# ENTRETIEN

## AVERTISSEMENT :

Utiliser exclusivement des pièces d'origine pour les réparations. L'usage de toute autre pièce pourrait créer une situation dangereuse ou endommager l'produit.

## ENTRETIEN GÉNÉRAL

Éviter d'utiliser des solvants pour le nettoyage des pièces en plastique. La plupart des matières plastiques peuvent être endommagées par divers types de solvants du commerce. Utiliser un chiffon propre pour éliminer la saleté, la poussière, l'huile, la graisse, etc.

**NOTE: ILLUSTRATIONS COMMENÇANT SUR 9 DE PAGE APRÈS LE SECTION ESPAGNOL.**



# ADVERTENCIAS DE SEGURIDAD PARA HERRAMIENTAS ELÉCTRICAS



## ADVERTENCIA

Lea todas las advertencias de seguridad y las instrucciones. El incumplimiento de las advertencias e instrucciones puede ocasionar descarga eléctrica, fuego o lesiones graves.

Guarde todas las advertencias e instrucciones para futuras consultas. El término “herramienta eléctrica” empleado en todos los avisos de advertencia enumerados abajo se refiere a las herramientas eléctricas de cordón (alámbricas) y de baterías (inalámbricas).

## SEGURIDAD EN EL ÁREA DE TRABAJO

- **Mantenga limpia y bien iluminada el área de trabajo.** Un área de trabajo mal despejada o mal iluminada propicia accidentes.
- **No utilice herramientas motorizadas en atmósferas explosivas, como las existentes alrededor de líquidos, gases y polvos inflamables.** Las herramientas eléctricas generan chispas que pueden encender el polvo y los vapores inflamables.
- **Mantenga alejados a los niños y circunstancias al maniobrar una herramienta eléctrica.** Toda distracción puede causar pérdida del control de la herramienta.

## SEGURIDAD ELÉCTRICA

- **Las clavijas de las herramientas eléctricas deben corresponder a las tomas de corriente donde se conectan. Nunca modifique la clavija de ninguna forma. No utilice ninguna clavija adaptadora con herramientas eléctricas dotadas de contacto a tierra.** Conectando las clavijas originales en las tomas de corriente donde corresponden se disminuye el riesgo de una descarga eléctrica.
- **Evite el contacto del cuerpo con las superficies de objetos que estén haciendo tierra o estén conectados a ésta, como tuberías, radiadores, estufas y refrigeradores.** Existe un mayor riesgo de descargas eléctricas si el cuerpo está haciendo tierra.
- **No exponga las herramientas eléctricas a la lluvia ni a condiciones de humedad.** La introducción de agua en una herramienta eléctrica aumenta el riesgo de descargas eléctricas.
- **No maltrate el cordón eléctrico. Nunca utilice el cordón para trasladar, desconectar o tirar de la herramienta eléctrica. Mantenga el cordón alejado del calor, del aceite, de bordes afilados y de piezas móviles.** Los cordones eléctricos dañados o enredados aumentan el riesgo de descargas eléctricas.
- **Al utilizar una herramienta eléctrica a la intemperie, use un cordón de extensión apropiado para el exterior.**

Usando un cordón adecuado para el exterior se disminuye el riesgo de descargas eléctricas.

- **Si debe operar una herramienta en lugares húmedos, use un suministro protegido por un interruptor de circuito con pérdida a tierra (GFCI).** El uso de un GFCI reduce el riesgo de descargas eléctricas.
- **Cargue las baterías solamente con el cargador indicado.** Para utilizar con paquetes de baterías de níquel-cadmio de 18 V o de iones de litio de 18 V, consulte el folleto de la herramienta/aparato/paquete de baterías/cargador complementario 987000-432.

## SEGURIDAD PERSONAL

- **Permanezca alerta, preste atención a lo que esté haciendo y aplique el sentido común al utilizar herramientas eléctricas. No utilice la herramienta eléctrica si está cansado o se encuentra bajo los efectos de alguna droga, alcohol o medicamento.** Un momento de inatención al utilizar una herramienta eléctrica puede causar lesiones corporales serias.
- **Use equipo de seguridad. Siempre póngase protección ocular.** El uso de equipo de seguridad como mascarilla para el polvo, calzado de seguridad, casco y protección para los oídos en las circunstancias donde corresponda disminuye el riesgo de lesiones.
- **Evite un arranque accidental de la unidad. Asegúrese de que el interruptor esté en la posición de apagado antes de conectar la herramienta.** Portar las herramientas eléctricas con el dedo en el interruptor, o conectarlas con el interruptor puesto, propicia accidentes.
- **Retire toda llave o herramienta de ajuste antes de encender la herramienta eléctrica.** Toda llave o herramienta de ajuste dejada en una pieza giratoria de la herramienta eléctrica puede causar lesiones.
- **No estire el cuerpo para alcanzar mayor distancia. Mantenga una postura firme y buen equilibrio en todo momento.** De esta manera se logra un mejor control de la herramienta eléctrica en situaciones inesperadas.
- **Vístase adecuadamente. No vista ropas holgadas ni joyas. Mantenga el cabello, la ropa y los guantes alejados de las piezas móviles.** Las ropas holgadas, las joyas y el cabello largo pueden engancharse en las piezas móviles.
- **Si se suministran dispositivos para conectar mangueras de extracción y captación de polvo, asegúrese de que éstas estén bien conectadas y se usen correctamente.** El uso de un recolector de polvo puede reducir los peligros relacionados con el polvo.
- **No utilice la unidad al estar en una escalera o en un soporte inestable.** Una postura estable sobre una superficie sólida permite un mejor control de la herramienta eléctrica en situaciones inesperadas.

# ADVERTENCIAS DE SEGURIDAD PARA HERRAMIENTAS ELÉCTRICAS

## EMPLEO Y CUIDADO DE LA HERRAMIENTA ELÉCTRICA

- **No fuerce la herramienta eléctrica. Utilice la herramienta eléctrica adecuada para cada trabajo.** La herramienta eléctrica adecuada efectúa mejor y de manera más segura el trabajo, si además se maneja a la velocidad para la que está diseñada.
- **No utilice la herramienta si el interruptor no enciende o no apaga.** Cualquier herramienta eléctrica que no pueda controlarse con el interruptor es peligrosa y debe repararse.
- **Desconecte la clavija del suministro de corriente o retire el paquete de pilas de la herramienta eléctrica, según sea el caso, antes de efectuarle cualquier ajuste, cambiarle accesorios o guardarla.** Tales medidas preventivas de seguridad reducen el riesgo de poner en marcha accidentalmente la herramienta eléctrica.
- **Guarde las herramientas eléctricas desocupadas fuera del alcance de los niños y no permita que las utilicen personas no familiarizadas con las mismas o con estas instrucciones.** Las herramientas eléctricas son peligrosas en manos de personas no capacitadas en el uso de las mismas.
- **Preste servicio a las herramientas eléctricas. Revise para ver si hay desalineación o atoramiento de piezas móviles, ruptura de piezas o cualquier otra condición que pueda afectar el funcionamiento de la herramienta. Si está dañada la herramienta eléctrica, permita que la reparen antes de usarla.** Numerosos accidentes son causados por herramientas eléctricas mal cuidadas.
- **Mantenga las herramientas de corte afiladas y limpias.** Las herramientas de corte bien cuidadas y con bordes bien afilados, tienen menos probabilidad de atascarse en la pieza de trabajo y son más fáciles de controlar.
- **Utilice la herramienta eléctrica, los accesorios y brocas, hojas y cuchillas de corte, ruedas de esmeril, etc. de conformidad con estas instrucciones, tomando en cuenta las condiciones de trabajo y la tarea por realizar.**

Si se utiliza la herramienta eléctrica para operaciones diferentes de las indicadas podría originar una situación peligrosa.

## EMPLEO Y CUIDADO DE LA HERRAMIENTA DE BATERÍAS

- **Sólo cargue el paquete de baterías con el cargador especificado por el fabricante.** Un cargador adecuado para un tipo paquete de baterías puede significar un riesgo de incendio si se emplea con un paquete de baterías diferente.
- **Utilice las herramientas eléctricas sólo con los paquetes de baterías específicamente indicados.** El empleo de paquetes de baterías diferentes puede presentar un riesgo de incendio.
- **Cuando no esté utilizándose el paquete de baterías, manténgalo lejos de otros objetos metálicos, como clips, monedas, llaves, clavos, tornillos o otros objetos metálicos, pequeños que puedan establecer conexión entre ambas terminales.** Establecer una conexión directa entre las dos terminales de las baterías puede causar irritación y quemaduras.
- **Si se maltratan las baterías, puede derramarse líquido de las mismas; evite todo contacto con éste. En caso de contacto, lávese con agua. Si el líquido llega a tocar los ojos, además busque atención médica.** El líquido de las baterías puede causar irritación y quemaduras.

## SERVICIO

- **Permita que un técnico de reparación calificado preste servicio a la herramienta eléctrica, y sólo con piezas de repuesto idénticas.** De esta manera se mantiene la seguridad de la herramienta eléctrica.
- **Al dar servicio a una herramienta eléctrica, sólo utilice piezas de repuesto idénticas. Siga las instrucciones señaladas en la sección Mantenimiento de este manual.** El empleo de piezas no autorizadas o el incumplimiento de las instrucciones de mantenimiento puede significar un riesgo de descarga eléctrica o de lesiones.

# ADVERTENCIAS DE SEGURIDAD PARA BARRENA DE DRENAJE

- **Siempre use gafas de seguridad o protección ocular con laterales protectores con la marca de cumplimiento con la norma ANSI Z87.1 al ensamblar piezas, utilizar la herramienta o llevar a cabo tareas de mantenimiento.** Con el cumplimiento de esta regla se reduce el riesgo de lesiones personales serias.
- **Posicione la barrena de drenaje dentro de 10 cm (4 pulg.) del drenaje o de la entrada que se está limpiando.** Utilizar la herramienta a distancias mayores puede provocar que el cable se tuerza o se atasque.

- **Evite utilizar la herramienta en reversa durante extensos períodos de tiempo** ya que esto podría dañar el cable.
- **No coloque la mano cerca del tambor o del cable mientras está girando.** Cumplir con esta norma reducirá el riesgo de sufrir lesiones personales graves.
- **Los drenajes atascados podrían contener bacterias, soluciones de limpieza, u otras sustancias potencialmente peligrosas.** Use siempre ropa de protección, protección ocular, y guantes mientras utilice esta herramienta para prevenir que estas sustancias entren en contacto con la piel y los ojos.



# ADVERTENCIAS DE SEGURIDAD PARA BARRENA DE DRENAJE

- **Cuando extraiga el cable de un drenaje, retírelo lentamente para evitar “salpicaduras”.** Use agua caliente y jabón para lavarse las manos y otras partes del cuerpo que puedan haber sido expuestas a sustancias potencialmente peligrosas.
- **No se necesita conectar a una toma de corriente las herramientas de baterías; por lo tanto, siempre están en condiciones de funcionamiento. Esté consciente de los posibles peligros cuando no esté usando la herramienta de baterías o cuando esté cambiando los accesorios de la misma.** Con el cumplimiento de esta regla se reduce el riesgo de una descarga eléctrica, incendio o lesión corporal seria.
- **No coloque herramientas de baterías ni las baterías mismas cerca del fuego o del calor.** De esta manera se reduce el riesgo de explosiones y de lesiones.
- **No aplaste, deje caer o dañe de baterías. Nunca utilice una batería o cargador que se ha caído, aplastado, recibido un golpe contundente o ha sido dañado(a) de alguna manera.** Las baterías dañadas pueden sufrir explosiones. Deseche de inmediato toda batería que haya sufrido una caída o cualquier daño.
- **Las baterías pueden explotar en presencia de fuentes de inflamación, como los pilotos de gas.** Para reducir el riesgo de lesiones serias, nunca use un producto inalámbrico en presencia de llamas expuestas. La explosión de una batería puede lanzar fragmentos y compuestos químicos. Si ha quedado expuesto a la explosión de una batería, lávese de inmediato con agua.
- **No cargue herramientas de baterías en lugares mojados o húmedos.** Con el cumplimiento de esta regla se reduce el riesgo de una descarga eléctrica.
- **Para obtener resultados óptimos, debe cargar la herramienta de baterías en un lugar donde la temperatura esté entre 10 y 38 °C (entre 50 y 100 °F).** No guarde la herramienta a la intemperie ni en el interior de vehículos.
- **En condiciones extremas de uso o temperatura las baterías pueden emanar líquido. Si el líquido llega a tocarle la piel, lávese de inmediato con agua y jabón. Si le entra líquido en los ojos, láveselos con agua limpia por lo menos 10 minutos, y después busque de inmediato atención médica.** Con el cumplimiento de esta regla se reduce el riesgo de lesiones corporales serias.
- **Guarde estas instrucciones.** Consúltelas con frecuencia y empléelas para instruir a otras personas que puedan utilizar esta herramienta. Si presta a alguien esta herramienta, facilítele también las instrucciones.

## CALIFORNIA - PROPUESTA DE LEY NÚM. 65




### **ADVERTENCIA:**

Este producto y las sustancias que puedan llegar a ser aerotransportadas por su uso pueden contener sustancias químicas (incluido el plomo) reconocidas por el estado de California como causantes de cáncer, defectos congénitos y otras afecciones del aparato reproductor. **Lávese las manos después de utilizar el aparato.**











# SÍMBOLOS

Las siguientes palabras de señalización y sus significados tienen el objeto de explicar los niveles de riesgo relacionados con este producto.

SÍMBOLO	SEÑAL	DESIGNATION/EXPLANATION
	<b>PELIGRO:</b>	Indica una situación peligrosa inminente, la cual, si no se evita, causará la muerte o lesiones serias.
	<b>ADVERTENCIA:</b>	Indica una situación peligrosa posible, la cual, si no se evita, podría causar la muerte o lesiones serias.
	<b>PRECAUCIÓN:</b>	Indica una situación peligrosa posible, la cual, si no se evita, podría causar lesiones menores o leves.
	<b>AVISO:</b>	(Sin el símbolo de alerta de seguridad) Indica información importante no relacionada con ningún peligro de lesiones, como una situación que puede ocasionar daños físicos.

Es posible que se empleen en este producto algunos de los siguientes símbolos. Le suplicamos estudiarlos y aprender su significado. Una correcta interpretación de estos símbolos le permitirá utilizar mejor y de manera más segura el producto.

SÍMBOLO	NOMBRE	DENOMINACIÓN/EXPLICACIÓN
	Alerta de seguridad	Indica un peligro posible de lesiones personales.
	Lea el manual del operador	Para reducir el riesgo de lesiones, el usuario debe leer y comprender el manual del operador antes de usar este producto.
	Protección ocular	Siempre póngase gafas de seguridad o protección ocular con protección lateral con la marca de cumplimiento de la norma ANSI Z87.1.
	Alerta de condiciones húmedas	No exponga la unidad a la lluvia ni la use en lugares húmedos.
	Póngase guantes	Al manejar la barrena de drenaje, póngase guantes protectores antideslizantes de uso pesado.
	Cabello largo	Riesgo de que el cabello largo quede atrapado en el tambor.
	Ropa holgada	Riesgo de que la ropa suelta quede atrapada en el tambor giratorio.
	Símbolos de reciclado	Este producto contiene baterías de níquel-cadmio (Ni-Cd) e iones de litio (Li-ion). Es posible que algunas leyes municipales, estatales o federales prohíban desechar las baterías de níquel-cadmio en la basura normal. Consulte a las autoridades reguladoras de desechos para obtener información en relación con las alternativas de reciclado y desecho disponibles.
V	Volts	Voltaje
min	Minutos	Tiempo
==	Corriente continua	Tipo o característica de corriente
$n_0$	Velocidad en vacío	Velocidad de rotación, en vacío
.../min	Por minuto	Revoluciones, carreras, velocidad superficial, órbitas, etc., por minuto

# CARACTERÍSTICAS

## ESPECIFICACIONES DEL PRODUCTO

Diámetro del cable ..... 6,35 mm (0,25 pulg.)  
Longitud del cable.....7,62 m (25 pies)

Tamaño mín. de la tubería (diámetro)...19,1 mm (0,75 pulg.)  
Tamaño máx. de la tubería (diámetro)..... 50,8 mm (2 pulg.)

## ARMADO

### ADVERTENCIA:

No use este producto si no está totalmente ensamblado o si alguna pieza falta o está dañada. El uso de un producto que no está adecuadamente y completamente ensamblado o posee partes dañadas o faltantes puede resultar en lesiones personales graves.

### ADVERTENCIA:

No intente modificar este producto ni crear aditamentos o accesorios que no estén recomendados para usar con este producto. Dichas alteraciones o modificaciones constituyen un uso indebido y podrían provocar una situación de riesgo que cause posibles lesiones personales graves.

If any parts are damaged or missing, please call 1-800-525-2579 for assistance.

## FUNCIONAMIENTO

### ADVERTENCIA:

No permita que su familiarización con las herramientas lo vuelva descuidado. Tenga presente que un descuido de un instante es suficiente para causar una lesión grave.

### ADVERTENCIA:

Siempre retire el paquete de baterías de la herramienta cuando esté ensamblando partes, realizando ajustes, limpiando o cuando ésta no esté en uso. Retirando el paquete de baterías se evita arrancar accidentalmente la unidad, lo cual puede causar lesiones serias.

### ADVERTENCIA:

Siempre póngase protección ocular con protección lateral con la marca de cumplimiento de la norma ANSI Z87.1. Si no cumple esta advertencia, los objetos que salen despedidos pueden producirle lesiones serias en los ojos.

### ADVERTENCIA:

No utilice ningún aditamento o accesorio no recomendado por el fabricante de esta producto. El empleo de aditamentos o accesorios no recomendados podría causar lesiones serias.

## USOS

Este producto puede emplearse para los fines siguientes:

- Limpieza de obstrucciones de fregaderos, lavabos y bañeras

## INSTALAR / DESMONTAJE DEL PAQUETE DE BATERÍAS

Vea la figura 1, página 9.

- Bloquee el gatillo del interruptor.
- Coloque el paquete de baterías en el producto como se muestra.
- Asegúrese de que los pestillos situados a ambos lados del paquete de baterías entren completamente en su lugar con un chasquido y de que el paquete quede bien asegurado en la herramienta antes de comenzar a utilizarla.

- Oprima los pestillos para extraer el paquete de baterías.
- Para obtener instrucciones específicas de carga, lea el manual del operador que se incluye con el cargador y la batería.

## GATILLO DEL INTERRUPTOR DE VELOCIDAD VARIABLE

Vea la figura 2, página 9.

El gatillo de velocidad variable produce mayor velocidad cuanto mayor presión se aplica en el gatillo, y menor velocidad cuanto menor presión se aplica en el mismo.

Para **ENCENDER** la herramienta, oprima el gatillo del interruptor. Para **DETENER** la herramienta, suelte el gatillo

# FUNCIONAMIENTO

del interruptor y permita que se detenga completamente el cable.

## SELECTOR DE SENTIDO DE ROTACIÓN (MARCHA ADELANTE/ATRÁS/SEGURO EN EL CENTRO)

Vea la figura 2, página 9.

Ajuste el selector de sentido de rotación en la posición de **APAGADO** (seguro en el centro) para bloquear el gatillo del interruptor y ayudar a prevenir un arranque accidental cuando no esté en uso.

Ubique el selector de sentido de rotación a la izquierda del gatillo del interruptor para taladrar hacia adelante. Ubique el selector a la derecha del gatillo del interruptor para taladrar hacia atrás.

**NOTA:** El taladro no funciona a menos que se empuje el selector de dirección de giro completamente a la izquierda o derecha.

### AVISO:

Para evitar dañar el engranaje, antes de cambiar el sentido de rotación siempre permita que se detenga completamente el portabrocas.



### ADVERTENCIA:

Las herramientas de baterías siempre están en condiciones de funcionamiento. Bloquee el interruptor cuando no esté en uso o lo lleve a su lado, al instalar o extraer el paquete de baterías y cuando avanza manualmente o se retrae el cable

## BLOQUEO DE AVANCE AUTOMÁTICO

Vea la figura 3, página 9.

La característica de bloqueo de avance automático le permite al usuario avanzar el cable utilizando el gatillo del interruptor sin sostener el mango.

- Para accionar, presione el mango y presione el botón de bloqueo de avance automático hacia la izquierda.
- Para soltar, presione el mango y presione el botón de bloqueo de avance automático hacia la izquierda.

## AVANZAR O RETRAER EL CABLE

Vea las figuras 4 y 5, página 10.

### Para avanzar el cable manualmente:

- Asegure el gatillo del interruptor; para ello, coloque el selector de sentido de rotación en la posición central.
- Sostenga el mango frontal con una mano y avance el cable con la otra.

**NOTA:** Una vez que el cable haya avanzado a su longitud deseada, se puede trabar con la palanca de fijación del cable. Mueva la palanca hacia abajo para enganchar el sujetapiezas y hacia arriba para desengancharlo.

- Para retraer el cable, sostenga el mango frontal con una mano y tire del cable con la otra.

### AVISO:

No avance ni retraiga el cable usando el gatillo del interruptor a menos que el cable se encuentre en la tubería de drenaje.

### Para avanzar el cable usando el gatillo del interruptor:

- Presione el mango y, si lo desea, enganche el bloqueo de avance automático.
- Coloque la dirección del selector de rotación en la posición delantera.
- Mantenga presionado el gatillo del interruptor para avanzar el cable.

**NOTA:** Una vez que el cable haya avanzado a su longitud deseada, se puede trabar con la palanca de fijación del cable. Mueva la palanca hacia abajo para enganchar el sujetapiezas y hacia arriba para desengancharlo.

### AVISO:

No intente avanzar o retraer el cable usando el gatillo del interruptor con el sujetapiezas enganchado.

- Para retraer el cable, coloque la dirección del selector de rotación en la posición de reversa, presione el mango, y baje el gatillo del interruptor.

### AVISO:

No ejecute la barrena de drenaje en posición delantera o reversa durante extensos períodos de tiempo. No seguir estas instrucciones puede provocar daños en la herramienta.

## USO DE LA BARRENA DE DRENAJE

Vea las figuras 6 y 7, página 10.

La barrena de drenaje se puede utilizar para quitar obstrucciones de una variedad de drenajes, incluidos sumideros, bañeras y drenajes de lavabos.

**NOTA:** Este producto se puede utilizar para limpiar tuberías de drenajes con diámetros mínimos de 1,90 cm (0,75 pulg.) y diámetros máximos de 5 cm (2 pulg.)

### Para limpiar obstrucciones:

- Remueva el casquillo del extremo del cable.
- Al remover la obstrucción de un sumidero o una bañera, podría ser necesario remover el tapón o la cubierta de derrame para ganar acceso a la tubería de drenaje. Se puede acceder a los drenajes de los lavabos directamente a través de la base del recolector.
- Sostenga la barrena de drenaje dentro de 10 cm (4 pulg.) del drenaje o del derrame, y avance el cable en la tubería de drenaje manualmente.

# FUNCIONAMIENTO

**NOTA:** Avance el cable lentamente al principio. Si lo avanza demasiado rápido, puede provocar que se tuerza o se atasque.

- Después de avanzar el cable unos 15 cm (6 pulg.) en el drenaje, puede comenzar a avanzar el cable utilizando el gatillo del interruptor o continuar avanzándolo manualmente.
- El cable debe avanzar libremente a través de la tubería de drenaje hasta que haga contacto con la obstrucción o quede atrapado en una trampa tipo p.
- Si el cable queda atrapado en una trampa tipo p, la fuerza adicional o la presión adicional aumentada del gatillo debería ser suficiente para avanzarlo por la curvatura de la tubería.
- Si el cable ha hecho contacto con una obstrucción, hay dos maneras de removerlo:
  - Avance el cable presionando el gatillo del interruptor. Sostenga el gatillo durante algunos segundos permitiendo que la punta del cable barre en la obstrucción. **Si el cable deja de girar, libere el gatillo del interruptor para evitar que el cable se doble o se dañe.** Sujete el cable en el lugar; y, luego, empuje o tire hasta que se desaloje la obstrucción. Suelte el cable y retráigalo lentamente de la tubería de drenaje.
  - Suelte el mango y, si es necesario, desenganche el bloqueo de avance automático. Apriete el gatillo del interruptor. El cable rotará, pero no avanzará. Sostenga el gatillo durante unos segundos permitiendo que la obstrucción se envuelva alrededor del cable. **Si el cable deja de girar, libere el gatillo del interruptor para evitar que el cable se doble o se dañe.** Luego, retraiga el cable lentamente y tire de la obstrucción a través del drenaje.

**NOTA:** Cuando extraiga el cable de un drenaje, retírelo lentamente para evitar “salpicaduras”.

- Una vez que se haya limpiado la obstrucción, intente descargar su baño o hacer correr agua por el drenaje para confirmar que el agua fluye libremente.
- Después de que el cable se haya limpiado correctamente, como se describe en la siguiente sección, coloque el casquillo en el extremo del cable.

## LIMPIEZA DE LA BARRENA DE DRENAJE

Veá las figuras 8 y 9, página 10.

Se debe limpiar la barrena de drenaje después de cada uso para prevenir la contaminación y la formación de residuos.

### Para drenar el tambor:

- Retire de la herramienta el paquete de baterías.
- Mantenga la herramienta en un ángulo y levante la pestaña del drenaje ubicada en la parte trasera de la herramienta.
- Deje que los líquidos que están dentro del tambor se vacíen el drenaje o en un contenedor aprobado para desechos líquidos.

### Para limpiar el cable:

- Retire de la herramienta el paquete de baterías.
- Usando un trapo limpio y agua caliente y jabón, tire del cable para que salga de la herramienta, limpiándolo a medida que avanza. Continúe hasta que el cable haya avanzado totalmente y se haya limpiado por completo.
- Usando un trapo limpio y seco, empuje el cable hacia adentro de la herramienta, secándolo a medida que se retrae. Continúe hasta que el cable se haya retraído por completo.
- Para asegurarse de que no haya entrado agua en la herramienta, drene el tambor tal como se describió anteriormente.
- Coloque el casquillo en el extremo del cable.

### AVISO:

No avance ni retraiga el cable usando el gatillo del interruptor a menos que el cable se encuentre en la tubería de drenaje.

# MANTENIMIENTO

## ADVERTENCIA:

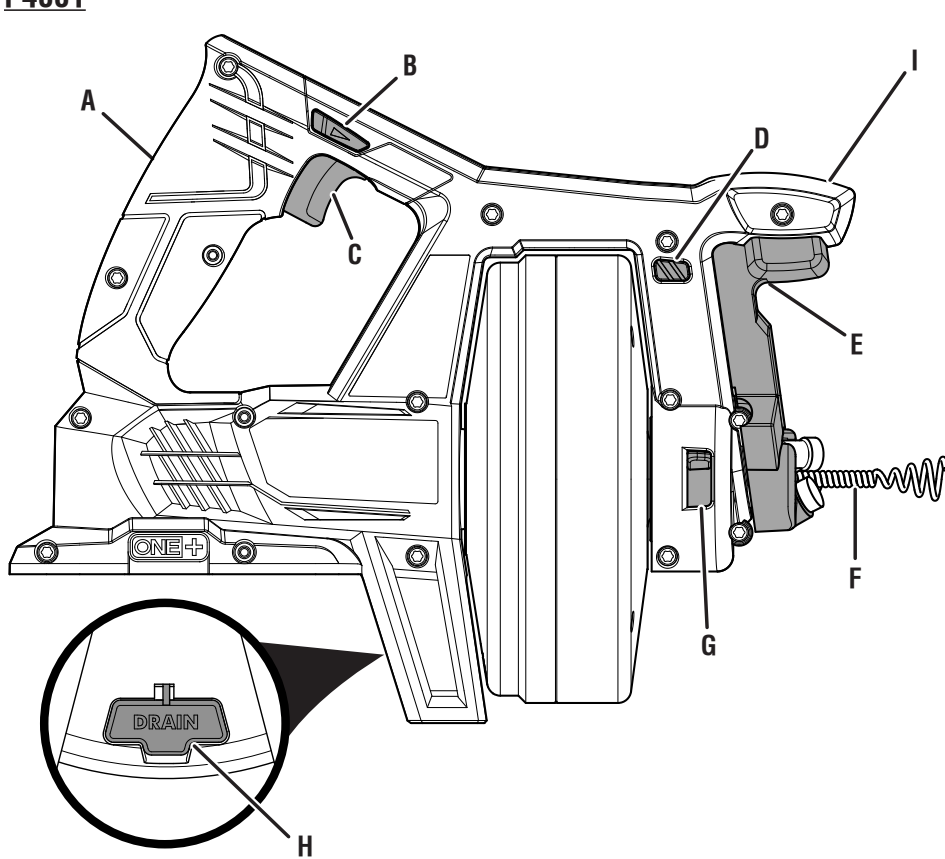
Al dar servicio a la unidad, sólo utilice piezas de repuesto idénticas. El empleo de piezas diferentes puede causar un peligro o dañar el producto.

## MANTENIMIENTO GENERAL

Evite el empleo de solventes al limpiar piezas de plástico. La mayoría de los plásticos son susceptibles a diferentes tipos de solventes comerciales y pueden resultar dañados. Utilice paños limpios para eliminar la suciedad, el polvo, el aceite, la grasa, etc.

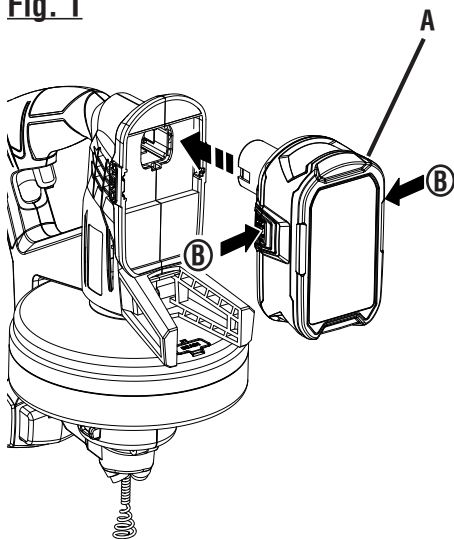


**P4001**



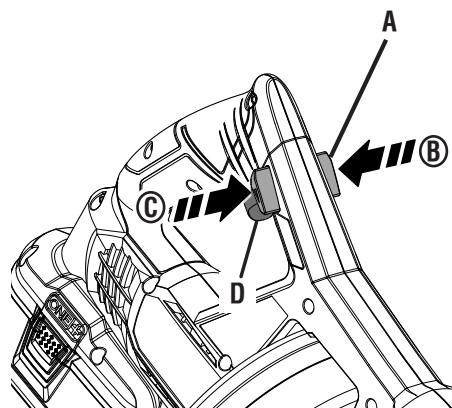
- A - Rear handle with overmold (poignée arrière avec surmoulés, mango trasero con sobremoldeado)
- B - Direction of rotation selector (forward/reverse/center lock) [sélecteur de sens de rotation (avant / arrière / verrouillage central), selector de sentido de rotación (adelante / atrás / seguro en el centro)]
- C - Switch trigger (gâchette de commutateur, gatillo del interruptor)
- D - Auto-feed lock button (bouton de verrouillage de marche avant, botón de bloqueo de avance automático)
- E - Pommel (pommeau, perilla)
- F - Cable (câble, cable)
- G - Cable lock lever (levier de blocage du câble, palanca de fijación del cable)
- H - Drain tab (languette de vidange, pestaña de drenaje)
- I - Front handle (poignée avant, mango delantero)
- J - Cap (capuchon, tapa)

**Fig. 1**



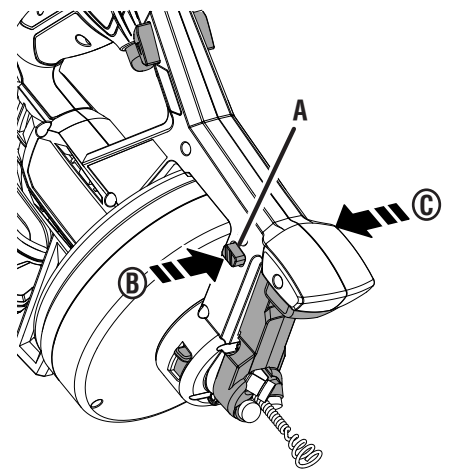
- A - Battery pack (bloc-piles, paquete de baterías)
- B - Depress latches to remove battery pack (appuyer sur les loquets pour libérer le bloc-piles, para soltar el paquete de baterías, oprima los pestillos)

**Fig. 2**



- A - Direction of rotation selector (forward/reverse/center lock) [sélecteur de sens de rotation (avant / arrière / verrouillage central), selector de sentido de rotación (adelante / atrás / seguro en el centro)]
- B - Reverse (rotation arrière, marcha atrás)
- C - Forward (rotation avant, marcha adelante)
- D - Switch trigger (gâchette de commutateur, gatillo del interruptor)

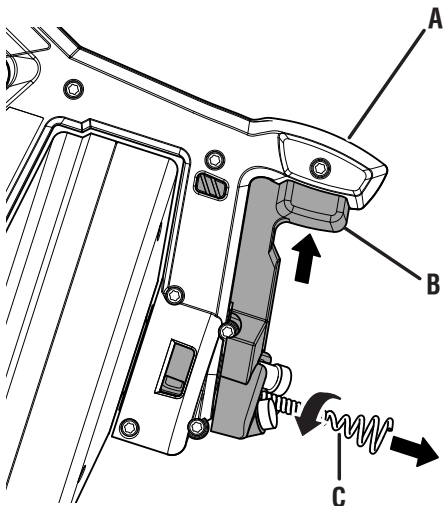
**Fig. 3**



- A - Auto-feed lock button (bouton de verrouillage de marche avant, botón de bloqueo de avance automático)
- B - Locked position (position engagé, posición trabada)
- C - Unlocked position (position déverrouillée, posición desbloqueada)

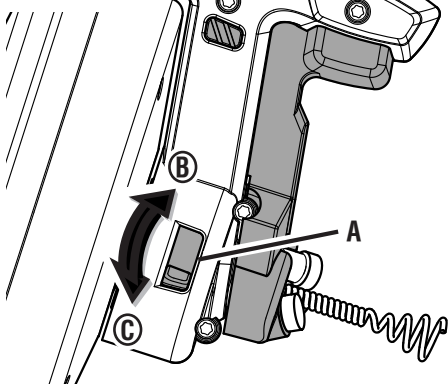


**Fig. 4**



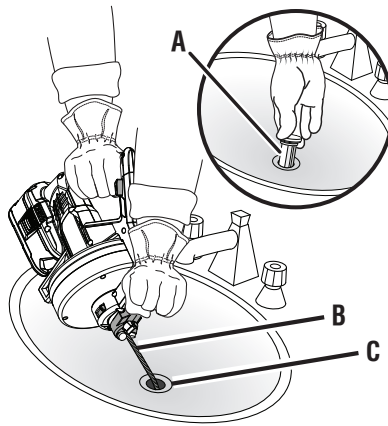
- A - Front handle (poignée avant, mango delantero)  
B - Pommeau (pommeau, perilla)  
C - Cable (câble, cable)

**Fig. 5**



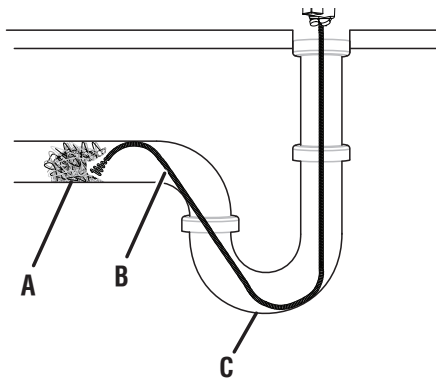
- A - Cable lock lever (levier de blocage du câble, palanca de fijación del cable)  
B - To disengage clamp (pour déclencher le serre-câble, para desenganchar el sujetapiezas)  
C - To engage clamp (pour enclencher le serre-câble, para enganchar el sujetapiezas)

**Fig. 6**



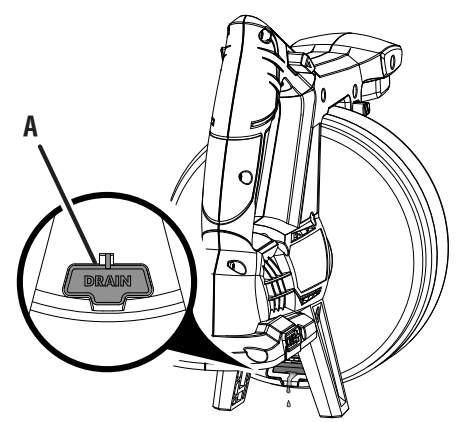
- A - Sink stopper (bouchon d'évier, tapón de sumidero)  
B - Cable (câble, cable)  
C - Sink drain (tuyau d'évier, drenaje de sumidero)

**Fig. 7**



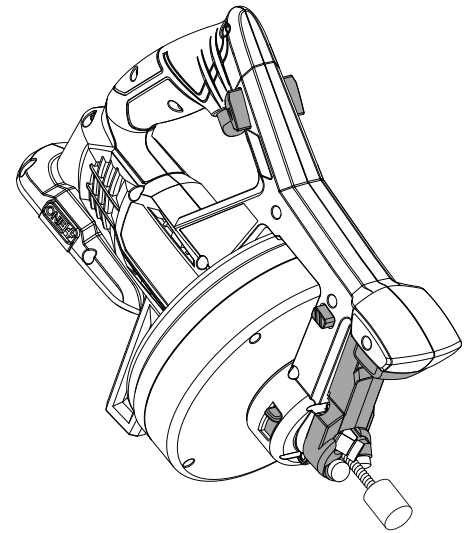
- A - Obstruction (obstruction, obstrucción)  
B - Cable (câble, cable)  
C - P-trap (siphon-P, Trampa tipo p)

**Fig. 8**



- A - Drain tab (languette de vidange, pestaña de drenaje)

**Fig. 9**





**OPERATOR'S MANUAL/18 VOLT DRAIN AUGER**  
**MANUEL D'UTILISATION/DÉGORGEOIR POUR TUYAUTERIE DE 18 V**  
**MANUAL DEL OPERADOR/BARRERA DE DRENAJE DE 18 V**  
**P4001**

To request service, purchase replacement parts,  
locate an Authorized Service Center and obtain Customer or Technical Support:

Visit **www.ryobitools.com** or call **1-800-525-2579**

If any parts or accessories are damaged or missing,  
do not return this product to the store. Call **1-800-525-2579** for immediate service.

Please obtain your model and serial number from the product data plate.  
**This product is covered under a 3-year limited Warranty. Proof of purchase is required.**

MODEL NUMBER \_\_\_\_\_ SERIAL NUMBER \_\_\_\_\_

RYOBI is a trademark of Ryobi Limited and is used pursuant to a license granted by Ryobi Limited.

Pour faire une demande de réparations ou obtenir des pièces de rechange, trouver un  
Centre de réparations agréé pour obtenir un soutien technique ou le Service à la clientèle :

Visiter **www.ryobitools.com** ou en téléphonant au **1-800-525-2579**

Si des pièces ou accessoires sont manquantes ou endommagées, ne pas retourner  
ce produit au magasin. Appeler immédiatement au **1-800-525-2579** pour obtenir de l'aide.

Inscrire les numéros de modèle et de série inscrits sur la plaque d'identification du produit.  
**Ce produit est couvert par une garantie limitée de trois (3) ans. Une preuve d'achat est exigée.**

NUMÉRO DE MODÈLE \_\_\_\_\_ NUMÉRO DE SÉRIE \_\_\_\_\_

RYOBI est une marque déposée de Ryobi Limited et est utilisée en vertu d'une licence accordée par Ryobi Limited.

Para obtener servicio, comprar piezas de repuesto, localizar un centro de servicio autorizado  
y obtener Servicio o Asistencia Técnica al Consumidor:

Visite **www.ryobitools.com** o llame al **1-800-525-2579**

Si hay alguna pieza ou accesorios dañada o faltante, no devuelva este producto a la tienda.  
Llame al **1-800-525-2579** para servicio técnico inmediato.

Obtenga su modelo y número de serie de la placa de datos del producto.  
**Este producto está cubierto con una garantía limitada de 3 años. Se solicita prueba de la compra.**

NÚMERO DE MODELO \_\_\_\_\_ NÚMERO DE SERIE \_\_\_\_\_

RYOBI es una marca de Ryobi Limited y se utiliza conforme a una licencia otorgada por Ryobi Limited.

**ONE WORLD TECHNOLOGIES, INC.**

1428 Pearman Dairy Road, Anderson, SC 29625 • Phone 1-800-525-2579  
États-Unis, Téléphone 1-800-525-2579 • USA, Teléfono 1-800-525-2579

**www.ryobitools.com**