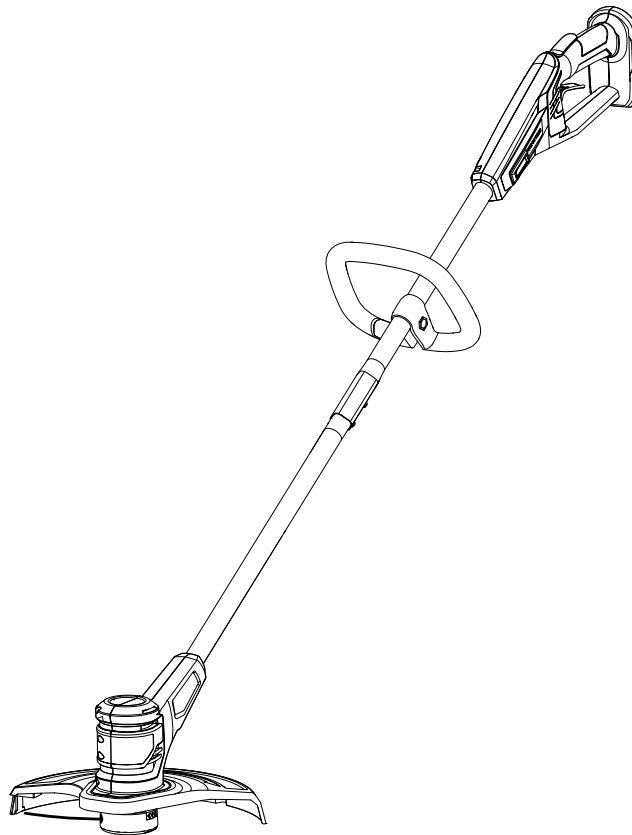


# REPAIR SHEET

BRAND <b>RYOBI</b>		DESCRIPTION <b>18 Volt String Trimmer</b>
MODEL NO. <b>P20015VNM</b>	MFG. NO. <b>108654001</b>	

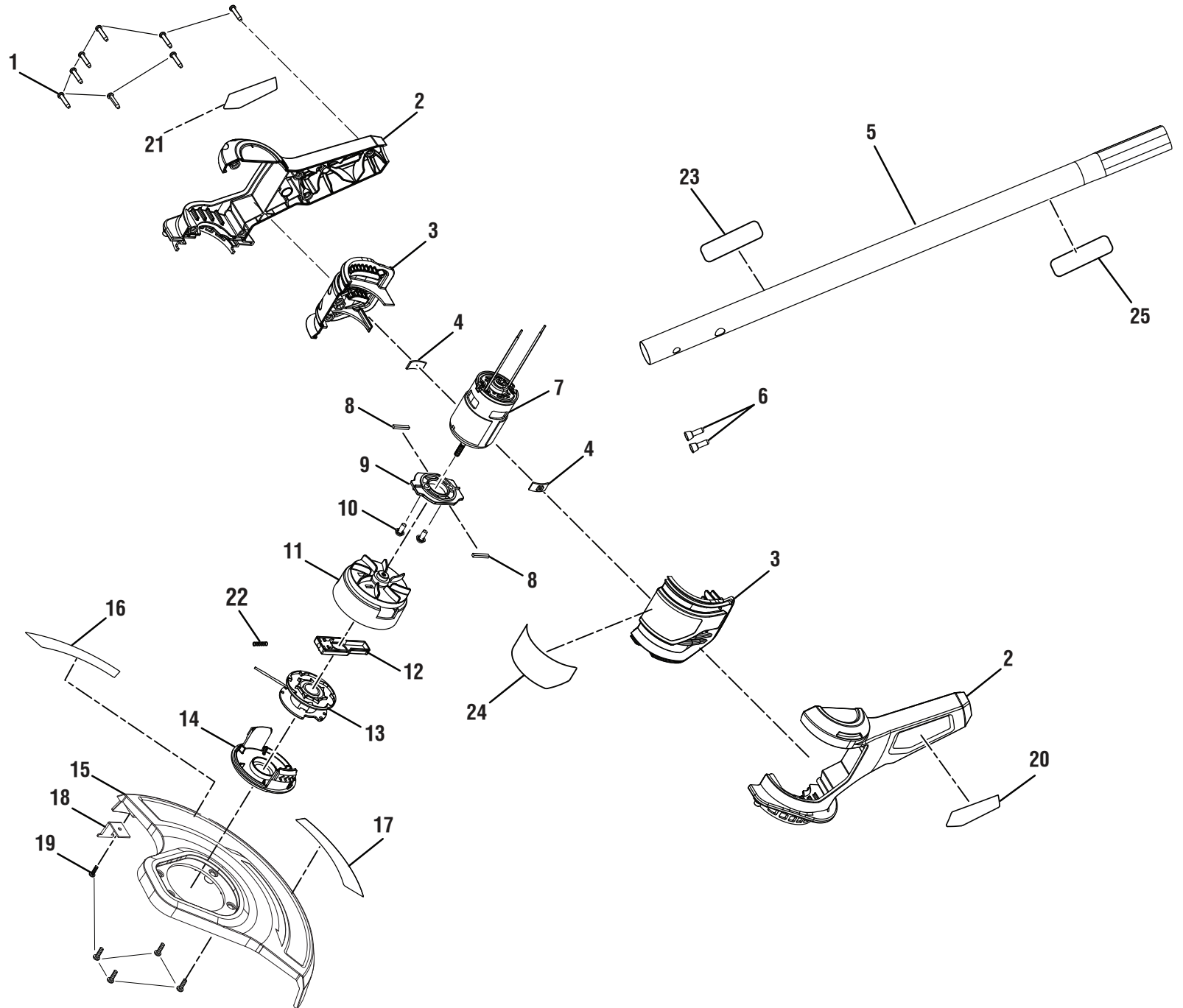


## TECHTRONIC INDUSTRIES POWER EQUIPMENT

P.O. Box 1288, Anderson, SC 29622 ■ 1-800-525-2579 ■ [www.ryobitools.com](http://www.ryobitools.com)

6-1-21 (Rev:02)

*The model number and manufacturing location will be found on a label attached to the product. Always mention this information in all communications regarding this product and when ordering parts.*





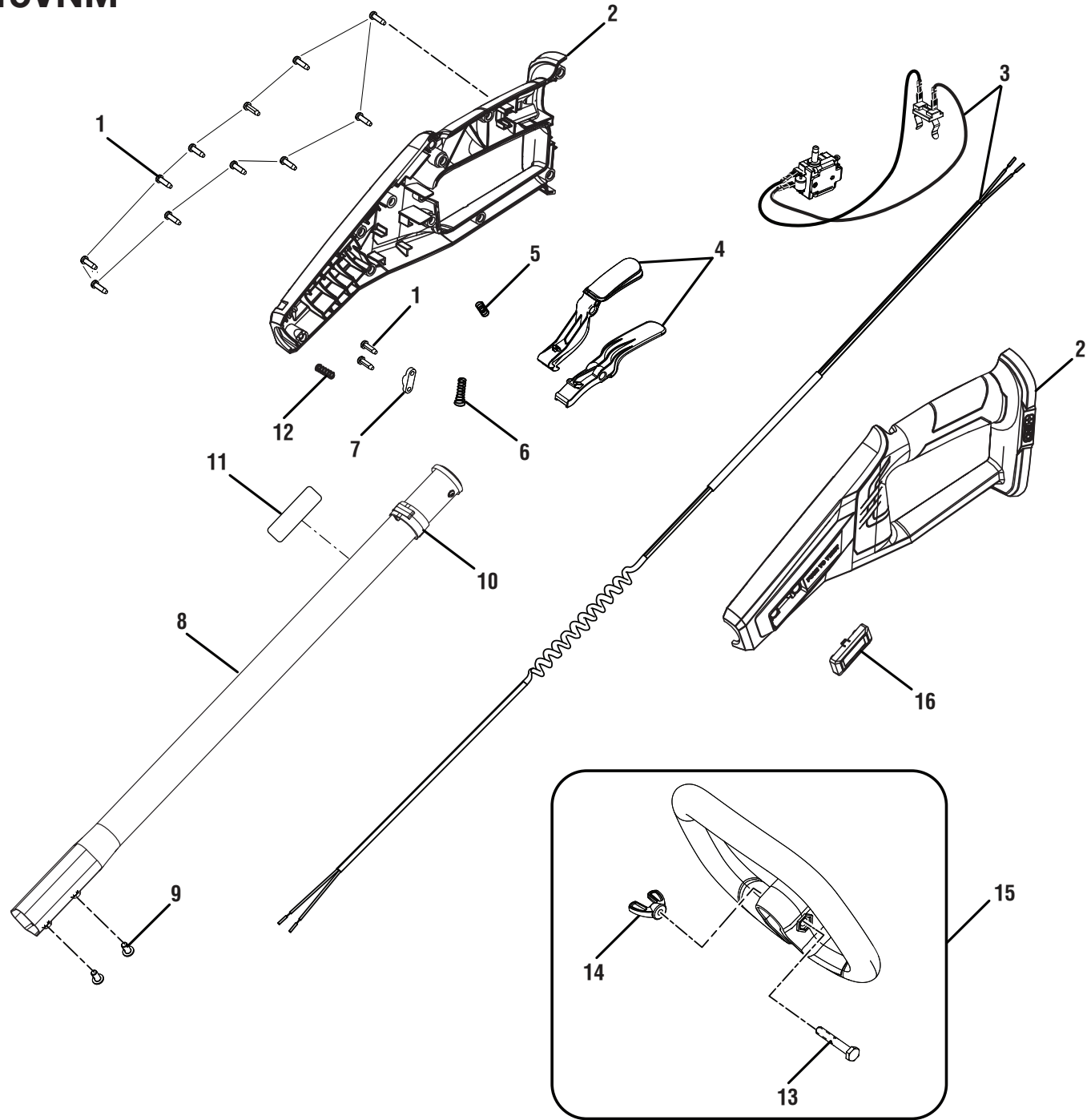
P20015VNM

PARTS LIST

KEY NO.	PART NO.	DESCRIPTION	QTY.
1	661864007	Screw (M4 x 18 mm, Torx. Hd.)	8
2	317086001	Motor Housing Assembly (Inc. Key Nos. 20-21)	1
3	317087001	Lower Housing Assembly (Inc. Key No. 24)	1
4	570815001	Motor Rubber Plate	2
5	317088001	Lower Tube Assembly (Inc. Key Nos. 23 & 25)	1
6	790009004	Wire Connector	2
7	742199001	Motor	1
8	562079003	Rubber Plate (Motor Plate)	2
9	522926001	Motor Mounting Plate	1
10	660502002	Screw w/Internal Tooth Washer (M5 x 11.1 mm)	2
11	524851002	Spool Base w/Fan	1
12	310920001	Slider Assembly	1
13	*	Spool w/Line Assembly	1
14	*	Spool Cap	1

KEY NO.	PART NO.	DESCRIPTION	QTY.
15	317089001	Guard Assembly (Inc. Key Nos. 16-19)	1
16	941588736	Adjustable Cut Label	1
17	941588737	Auto Feed String Head Label	1
18	638845006	Line Cut-Off Blade	1
19	660208055	Screw (M4 x 12 mm, Pan Hd.)	5
20	941705023	Left Side Motor Label	1
21	941588708	Data Label	1
22	679034001	Compression Spring	1
23	941588740	Lower Boom Lithium Label	1
24	941588738	Front Motor Label	1
25	941013005	Warning Label (FR/SP)	1
	<b>Not Shown:</b>		
	998000251	Operator's Manual	

\* Standard Hardware Item – May Be Purchased Locally



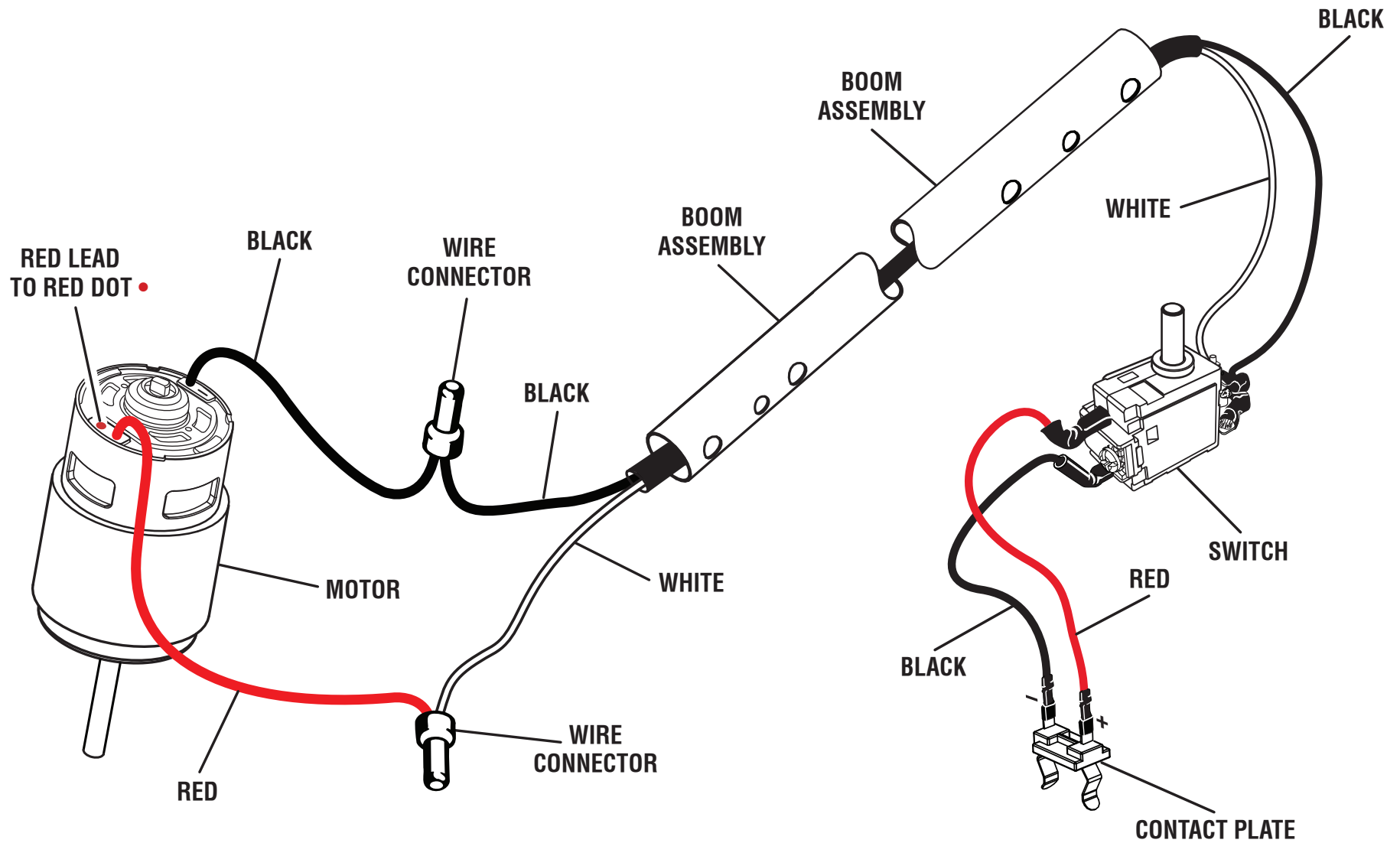


**P20015VNM**

**PARTS LIST**

KEY NO.	PART NO.	DESCRIPTION	QTY.
1	661817001	Screw (M4 x 18 mm, Torx Socket Hd.)	13
2	313289002	Handle Housing Assembly	1
3	313290001	Switch, Contact Plate Assembly, and Wire Harness	1
4	351183001	Switch Trigger and Lock-Out Assembly	1
5	679406001	Lock-Out Compression Spring	1
6	679973002	Trigger Compression Spring	1
7	523001003	Wire Pressure Plate	1
8	317079001	Upper Tube Assembly (Inc. Key No. 11)	1

KEY NO.	PART NO.	DESCRIPTION	QTY.
9	660502002	Screw w/Internal Tooth Washer (M5 x 10.5 mm)	2
10	541911001	Lock Ring	1
11	940657185	Warning Icon Label	1
12	696008001	Spring	1
13	660643008	Screw (1/4-20 x 40 mm, Hex Cap Hd.)	1
14	518949001	Wing Nut (1/4-20)	1
15	308991003	Auxiliary Handle Assembly (Inc. Key Nos. 13-14)	1
16	541909001	Rotate Button	1



**WIRING DIAGRAM**