



JOHN DEERE

**INSTALLATION INSTRUCTIONS
MODE D'INSTALLATION
INSTRUCCIONES DE INSTALACIÓN**

**Weather Enclosure for 100 Series and S240 Riding Mowers
Cabine de protection contre les intempéries pour tondeuses
à siège séries 100 et S240**

**Cabina protectora contra la intemperie de tractores para
césped series 100 y S240**

LP68121

09/14/2017

English/Français/Español

Introduction

Using Your Operator's Manual

Read this entire operator's manual, especially the safety information, before operating.

This manual is an important part of your machine. Keep all manuals in a convenient location so they can be accessed easily.

Use the safety and operating information in the attachment operator's manual, along with the machine operator's manual, to operate and service the attachment safely and correctly.

If your attachment manual has a section called Preparing the Machine, it means that you will have to do something to your tractor or vehicle before you can install the attachment. The Assembly and Installation sections of this manual provide information to assemble and install the attachment to your tractor or vehicle. Use the Service section to make any needed adjustments and routine service to your attachment.

If you have any questions or concerns with the assembly, installation, or operation of this attachment, see your local John Deere dealer.

Warranty information on this John Deere attachment can be found in the warranty statement included in this manual.

Product Compatibility:

Fits model year 2011 and later 100 Series tractors (with D and E prefixes) and S240 Series tractors.

Table of Contents

Introduction	2
Safety Information	3 - 5
Packaging Content Lists (Parts and Hardware)	6 - 7
Assembly Instructions	8 - 17
Storing and General Maintenance	18
Warranty	19

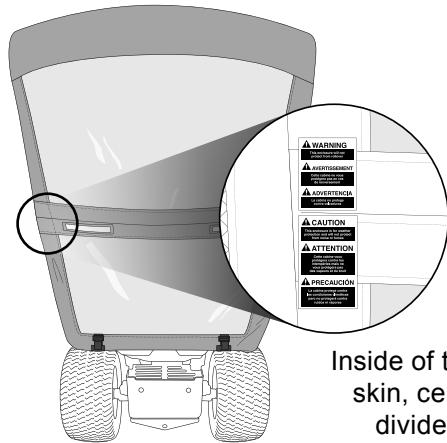
English	(page 01)
Français	(página 20)
Español	(page 38)

Original instructions. All information, illustrations and specifications in this manual are based on the latest information available at the time of publication.

The right is reserved to make changes at any time without notice.

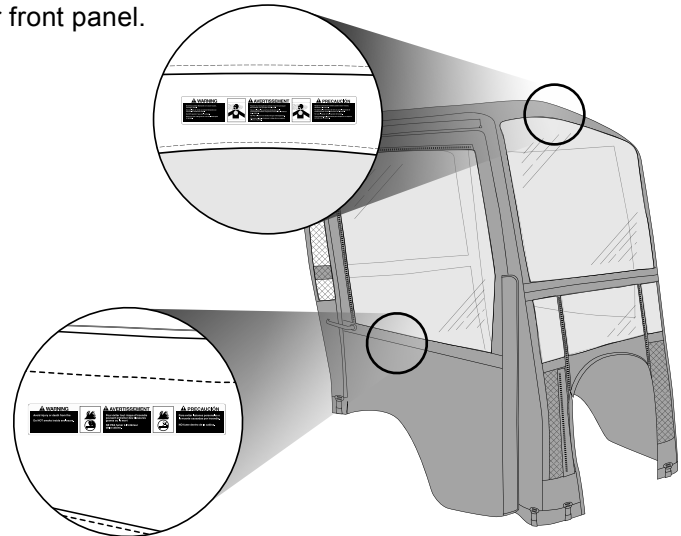
Safety Labels

Safety Label Locations

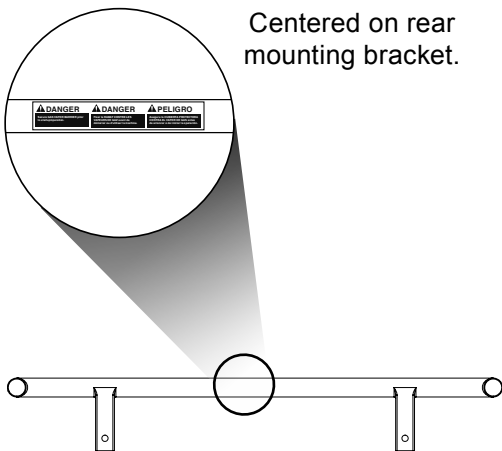


Inside of the side left skin, centered on divider panel.

Center of inside of the upper front panel.



Centered on the inside of the right door skin as indicated.



Centered on rear mounting bracket.

Replace Safety Signs

Replace missing or damaged safety signs. Use this operator's manual for correct safety sign placement.

There can be additional safety information contained on parts and components sourced from suppliers that is not reproduced in the operator's manual.

Understanding The Machine Safety Labels



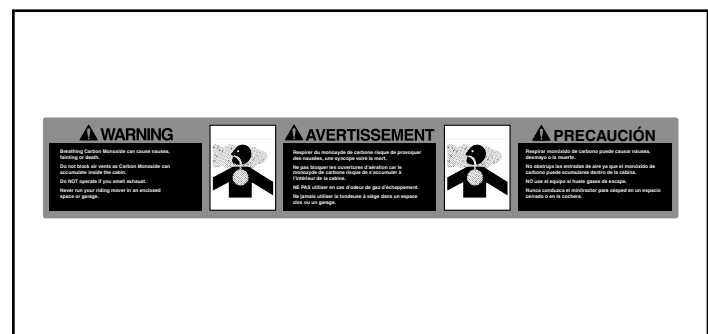
The machine safety labels shown in this section are placed in important areas on your machine to draw attention to potential safety hazards.

On your machine safety labels, the words **DANGER**, **WARNING**, and **CAUTION** are used with this safety-alert symbol. **DANGER** identifies the most serious hazards.

The operator's manual also explains any potential safety hazards whenever necessary in special safety messages that are identified with the word, **WARNING**, and the safety-alert symbol.

Replace missing or damaged safety labels. Use this operator's manual for correct safety label placement.

There can be more safety information contained on parts and components sourced from suppliers that is not reproduced in this operator's manual.



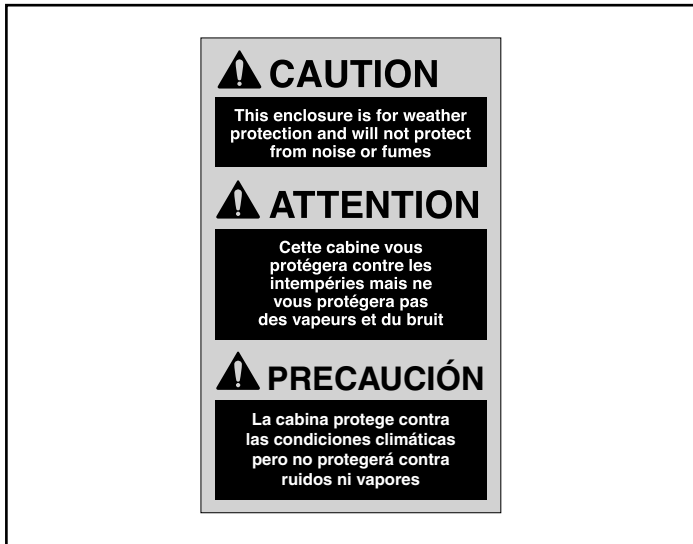
⚠ WARNING - Breathing Carbon Monoxide can cause nausea, fainting or death.

Do not block air vents as Carbon Monoxide can accumulate inside the cabin.

Do NOT operate if you smell exhaust.

Never run your riding mower in an enclosed space or garage.

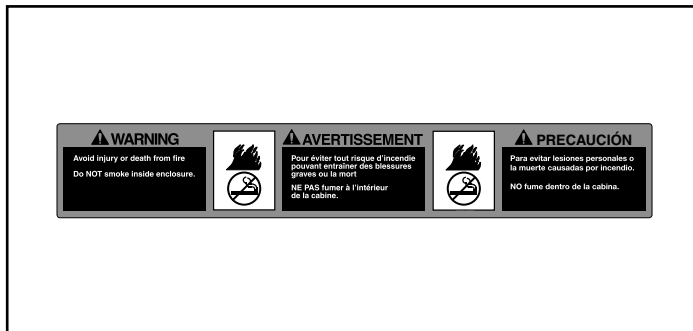
Safety Labels



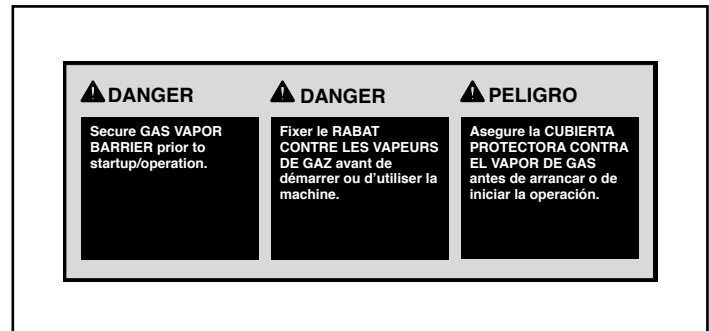
⚠ WARNING - This enclosure is for weather protection and will not protect from noise or fumes.



⚠ WARNING - This enclosure will not protect from rollover.



⚠ WARNING - Avoid injury or death from fire. Do NOT smoke inside enclosure.



⚠ DANGER - Secure GAS VAPOR BARRIER prior to startup/operation.

Note: Retain these installation instructions with your machine operator's manual.

Safety

Read Safety in Machine Operator's Manual

Read the general safety operating precautions in your machine operator's manual for additional safety information.

Operating Safely

- Read the machine operator's manual carefully. Be thoroughly familiar with the controls and the proper use of the equipment.
- Do not use this product with a machine other than the type specified by the manufacturer.
- Do not modify this product or its safety devices. Unauthorized modifications to this product may impair its function and safety.
- Do not let children or an untrained person install or operate this product.
- Make any necessary adjustments before operating this product. Never attempt to make any adjustments while the engine is running.

⚠ WARNING

Do not block air vents as carbon monoxide gas can accumulate inside. Breathing carbon monoxide gas can cause nausea, fainting or death. Do NOT operate if you smell exhaust.

⚠ WARNING

When your riding mower is at idle with your weather enclosure installed, make sure to open a window to ensure proper ventilation against carbon monoxide.

⚠ WARNING

Do not smoke inside weather enclosure. Gas fumes could ignite, causing injury.

⚠ WARNING

Never run your riding mower in an enclosed space or garage. Accumulated carbon monoxide can cause nausea, fainting or death.

⚠ WARNING

This weather enclosure does not provide protection to the driver in case of a rollover.

⚠ WARNING

Clip assembly must be assembled as shown to seal the weather enclosure from carbon monoxide and exhaust fumes.

⚠ WARNING

After installation, check to make sure the weather enclosure does not interfere with any function and the safe operation of the riding mower.

⚠ WARNING

Operating a riding mower with this weather enclosure will restrict your field of vision.

Note: Retain these installation instructions with your machine operator's manual.

Wear Appropriate Clothing

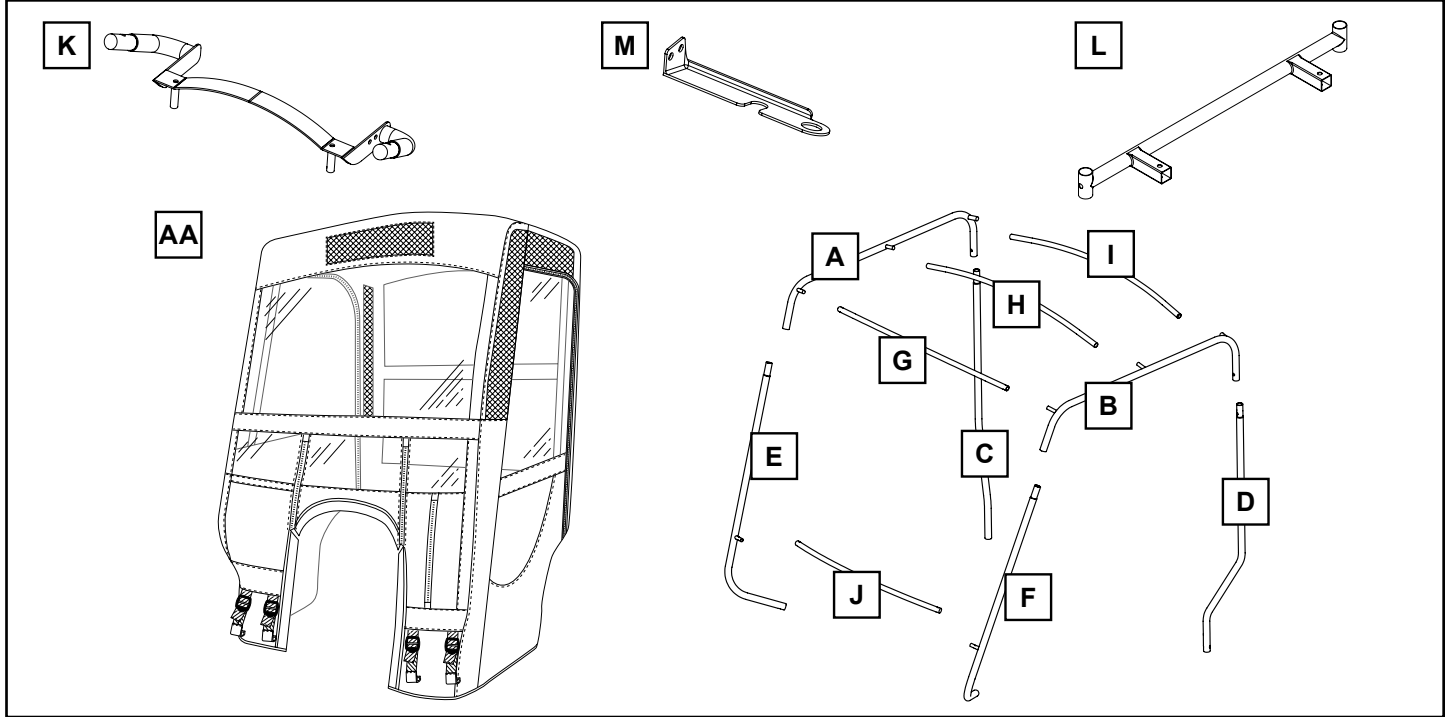
- Always wear eye protection when operating the machine.
- Wear close fitting clothing and safety equipment appropriate for the job.
- While operating this machine, always wear substantial footwear and long trousers. Do not operate the equipment when barefoot or wearing open sandals.
- Wear a suitable protective device such as earplugs. Loud noise can cause impairment or loss of hearing.



Assembly

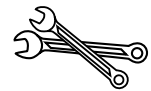
Part List and Description

Drawing not to scale.



A - Frame Roof Right PRT-31342-OR	1	H - Frame Roof Rib Middle PRT-31342-P2	1
B - Frame Roof Left PRT-31342-OL	1	I - Frame Roof Rib Back PRT-31342-P3	1
C - Frame Back Right PRT-31342-NR	1	J - Frame Lower Rib PRT-31342-M	1
D - Frame Back Left PRT-31342-NL	1	K - Frame Front Mounting Bracket PRT-31342-B	1
E - Frame Front Right PRT-31342-LR	1	L - Frame Rear Mounting Bracket PRT-LP-68121-L	1
F - Frame Front Left PRT-31342-LL	1	M - Frame Control Arm Bracket PRT-31342-G	1
G - Frame Roof Rib Front PRT-31342-P1	1	AA - Skin SKN-LP-68121-AA	1

Tools Needed



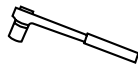
8mm & 13mm
Box Wrenches

OR



Crescent Wrench

OR



8mm & 13mm Sockets
w/Socket Wrench

&



3mm Hex
Wrench - Provided

Assembly Time

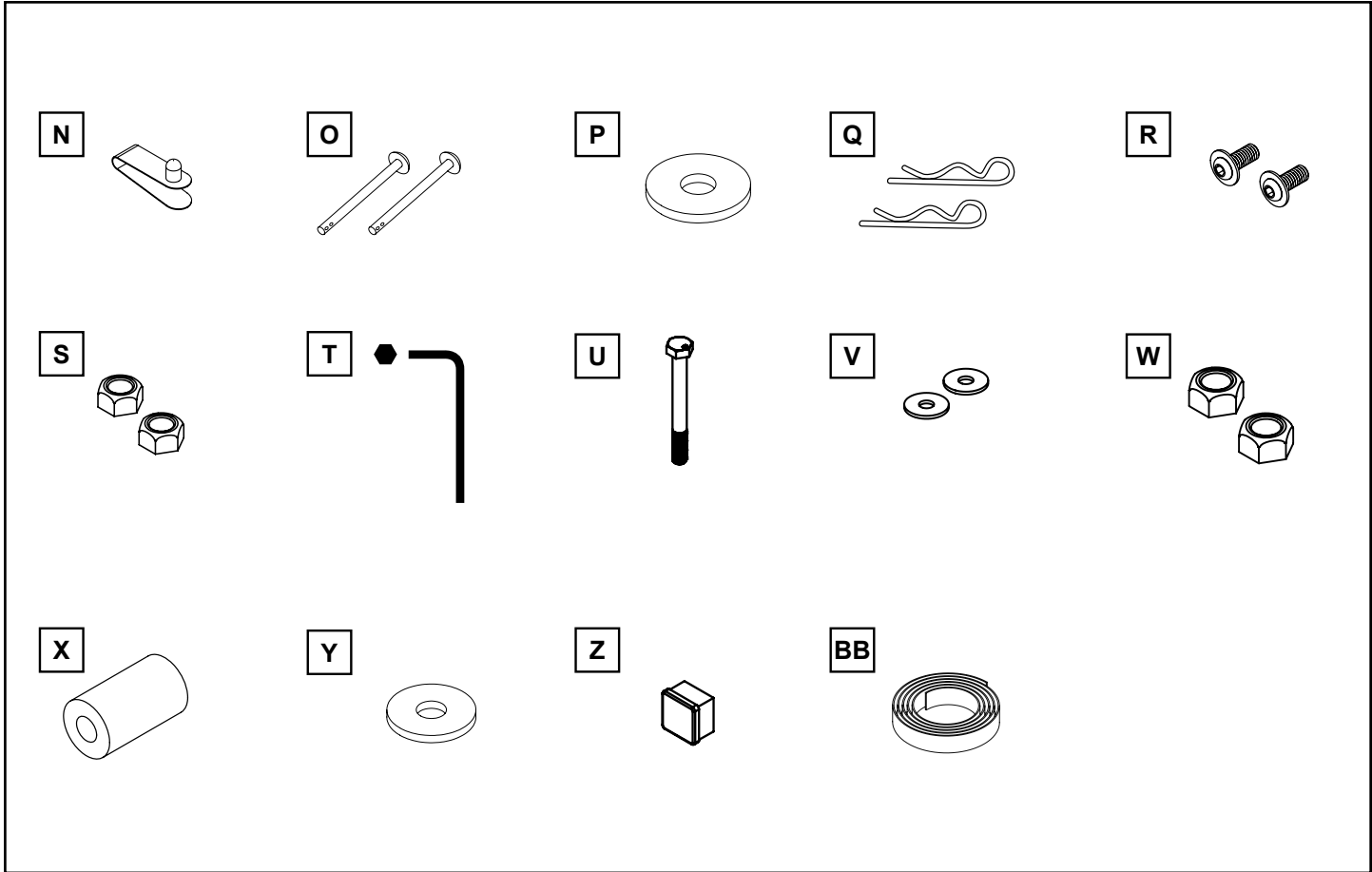
(60 Minutes)



Assembly

Part List and Description

Drawing not to scale.



N - Frame Pin PRT-LP-68121-N	18	U - M8 x 75mm Hex Bolt PRT-36-024-SC	2
O - M6 x 70mm Clevis Pin PRT-31342-A-SC	2	V - M8 Flat Washer PRT-36-024-SC	2
P - M6 Fender Washers PRT-31342-A-SC	2	W - M8 Nylock Nut PRT-LP-68121-W	2
Q - Cotter Pin PRT-31342-A-SC	2	X - Rear Bracket Spacer PRT-LP-68121-X	2
R - M5 x 12mm Flange Button Screw PRT-31342-A	2	Y - Rear Bracket Fender Washer PRT-LP-68121-Y	2
S - M5 Nylock Nut PRT-31342-A-SC	2	Z - Rear Bracket End Cap PRT-LP-68121-Z	2
T - M3 Allen Wrench PRT-31342-A-SC	1	BB - Rip and Grip Roll PRT-LP-68121-BB	1

Assembly

Preparation

Before beginning assembly, installation or operation of the product, make sure all parts are present. Compare parts with the package content list and diagram. If any part is missing or damaged, do not attempt to assemble, install or operate the product. For replacement parts, contact Classic Accessories customer service at 1-800-854-2315, 8 a.m. - 4 p.m., PST, Monday-Friday.

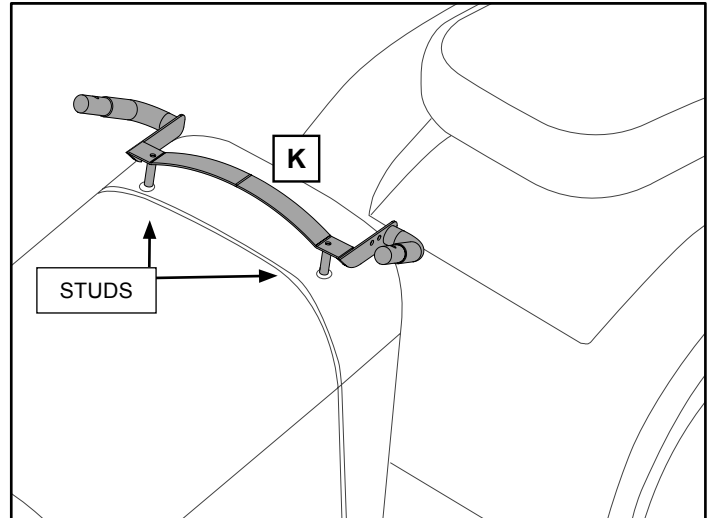
Assembly Instructions

Please note: Your 100 Series and S200 Weather Enclosure is designed to work with the CargO Mount™ system on 100 Series and S200 John Deere riding mowers.

NOTE: If your riding mower is fitted with a front end attachment (such as snow throwers or blowers), you will need to install the included control arm bracket [M].

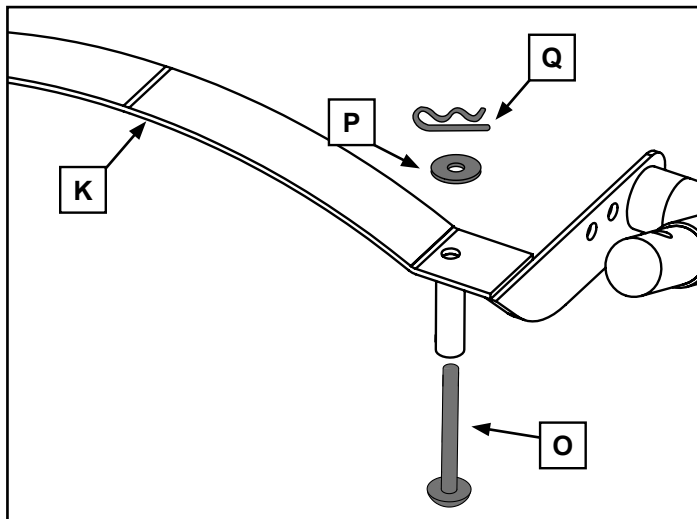
Step 1

Orient the Front Mounting Bracket [K] on the front of the riding mower. Position the bracket so that the studs slide into the CargO Mount™ holes, and the arms face the engine compartment.



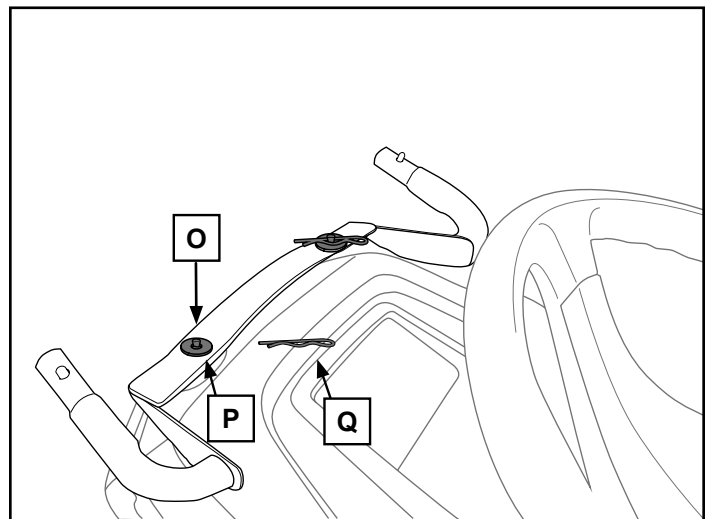
Step 2

Locate parts [O, P, Q] to secure the Mounting Bracket to your riding mower.



Step 3

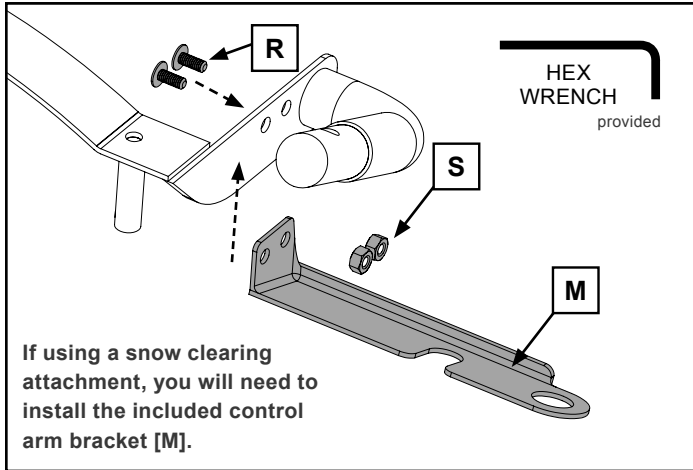
Insert front Clevis Pin [O] from bottom of CargO Mount™ hole and secure with M6 Fender Washer [P] and Hitch Pin Clip [Q].



Assembly

Step 4

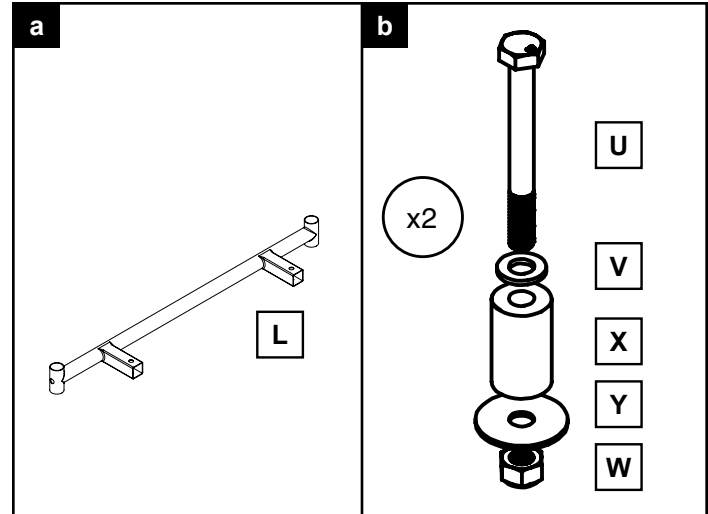
Position the Control Arm Bracket [M] as shown and attach with the M5 12mm Button Flange Screws [R] and M5 Nylock Hex Nuts [S] using the 3mm Hex Wrench.



Installing rear mounting bracket

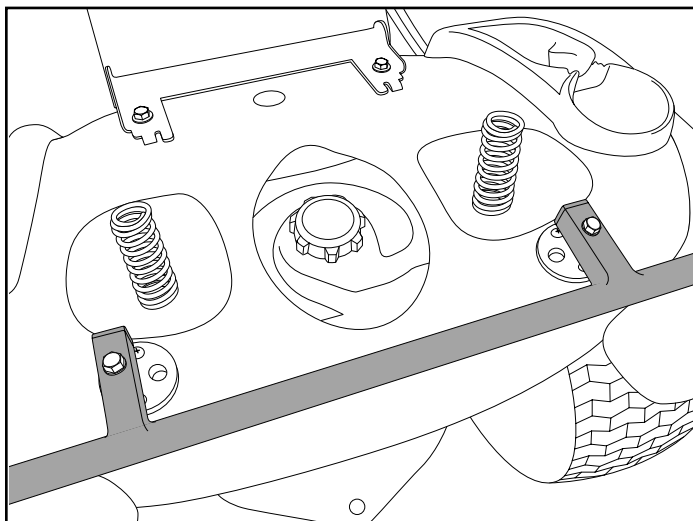
Step 5

Locate parts needed for Rear Mounting Bracket [L, U, V, X, Y, W].



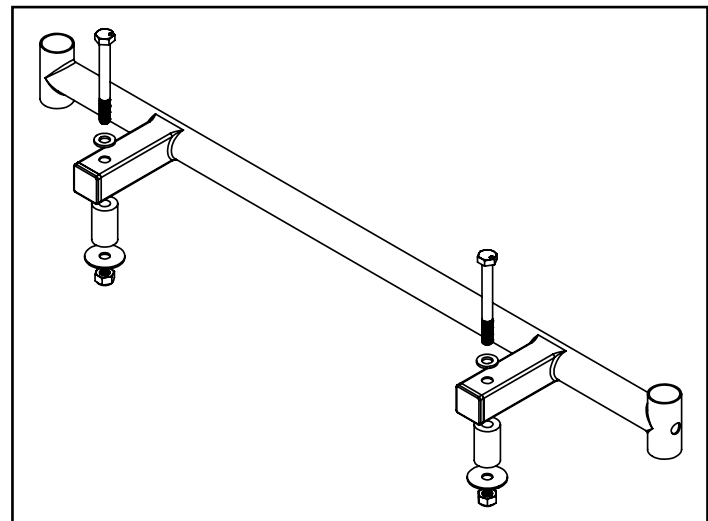
Step 6

Align the Rear Mounting Bracket [L] with the Cargo Mount™ holes located on the rear deck.



Step 7

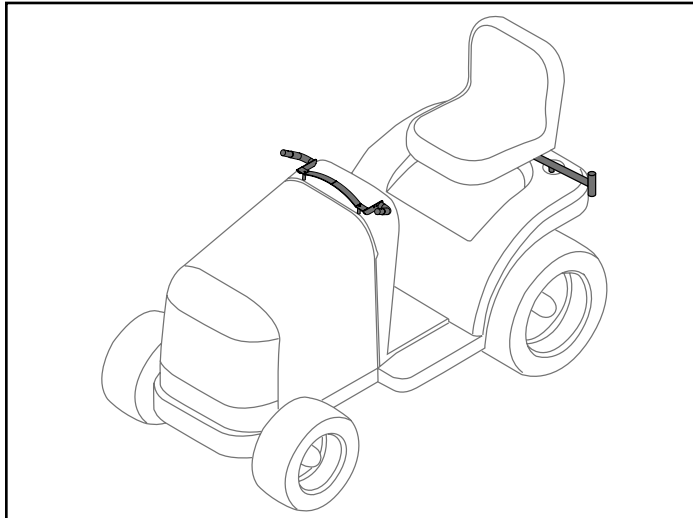
Insert the 8mm Hex Bolts [U] with M8 Washers [V] through the top of the bracket. Insert the Spacer [X] and Rear Fender Washer [Y] onto the Hex Bolt from beneath the fender. Tighten securely with M8 Nylock Nut [W].



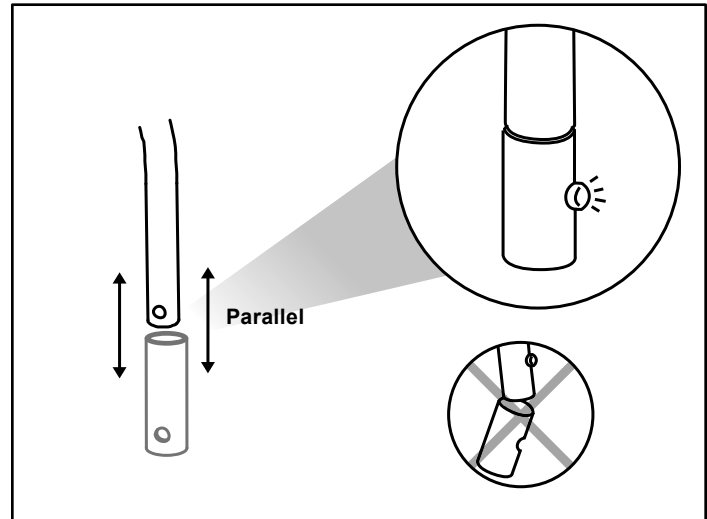
Assembly

Step 8

Front and Rear Mounting Brackets installed.



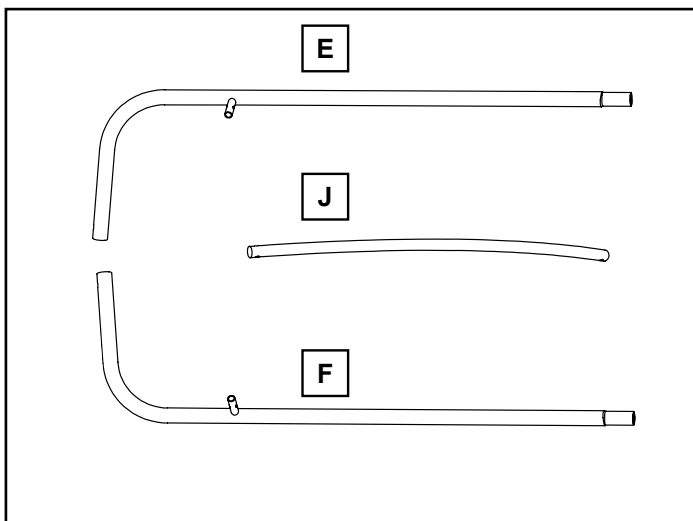
Please Note: Most tubes connect together using spring buttons. When connecting, make sure tubes are parallel and the button lines up with the hole and is fully engaged. If male/female tubes are not parallel, it may be difficult to assemble frame.



Installing the frame

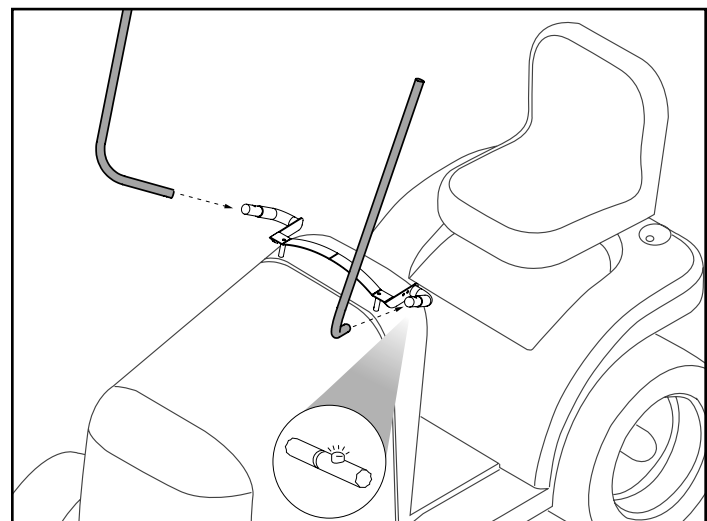
Step 9

Locate the right and left Frame Fronts [E, F] and front Frame Lower Rib [J].



Step 10

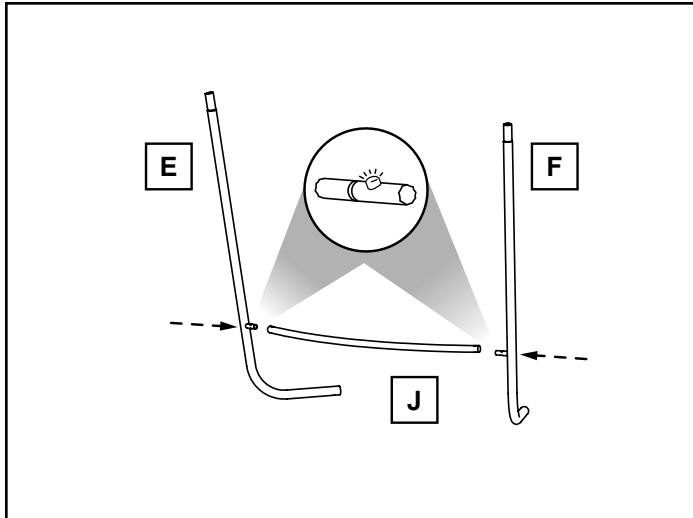
Insert short ends of each Frame Front [E, F] on the Front Mounting Bracket [K]. The spring buttons on the Front Mounting Bracket click into each Frame Front post.



Assembly

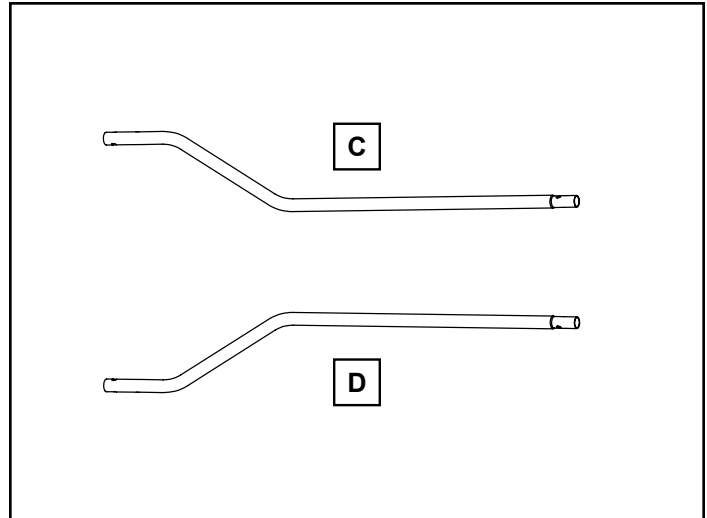
Step 11

Attach the front Frame Lower Rib [J] on the stub tube of each Frame Front upright pole [E, F]. The rib will be secured when the spring buttons click into the holes.



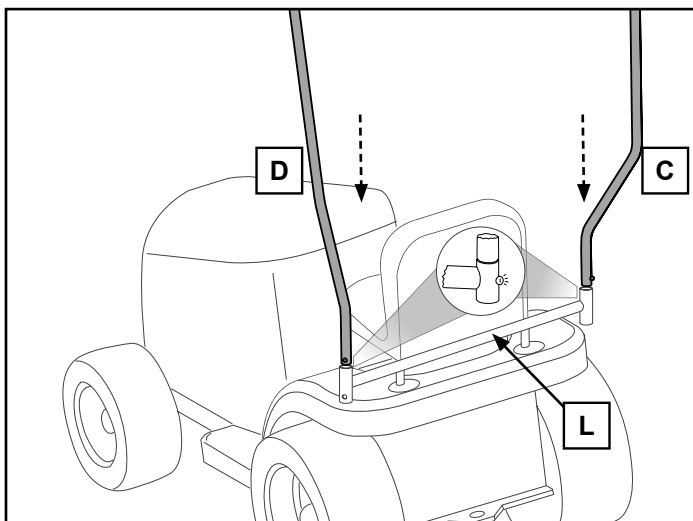
Step 12

Locate the Frame Back Right and Frame Back Left upright poles [C, D].



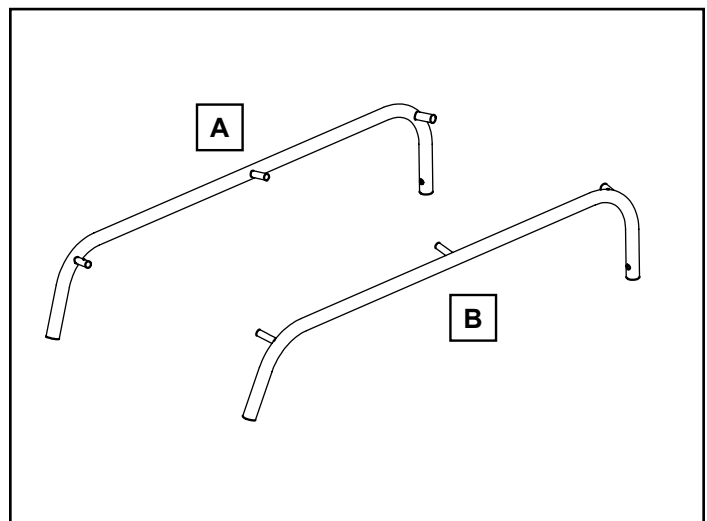
Step 13

Insert the back upright poles [C, D] onto the the Rear Mounting Bracket [L]. The spring buttons on the back upright poles click into the Rear Mounting Bracket.



Step 14

Locate the Frame Roof Right and Frame Roof Left poles (A, B).

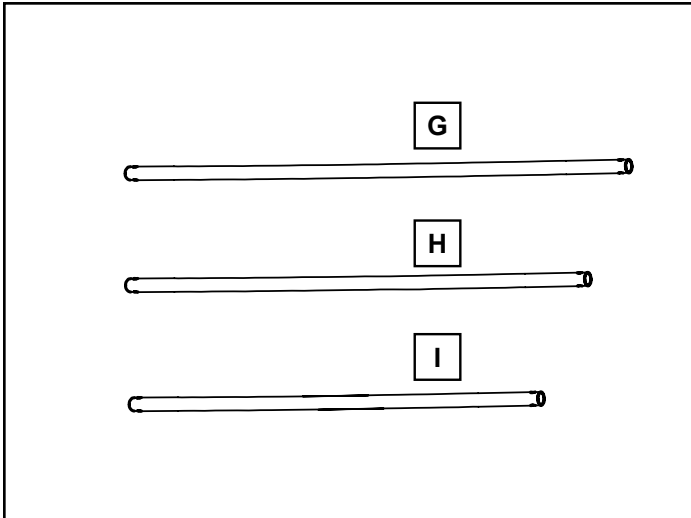


Assembly

Step 15

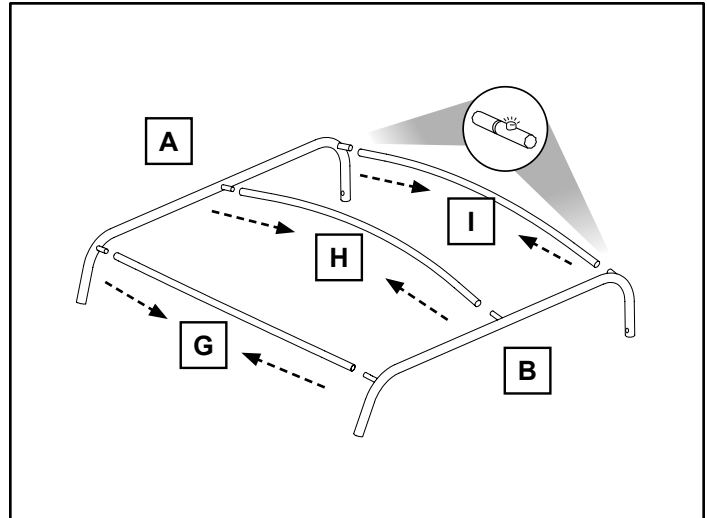
Locate Roof Rib parts (G, H, I).

Note: The Roof Rib Front is the longest pole, and the Roof Rib Back is the shortest pole.



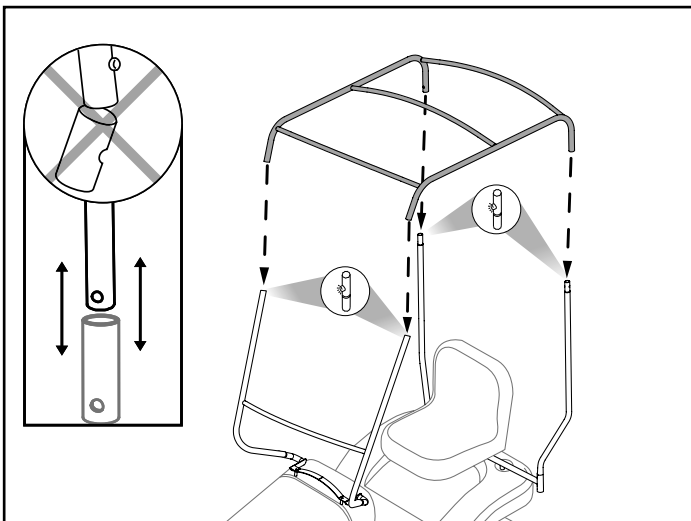
Step 16

Attach the Roof Ribs [G, H, I] to both side Roof Frames [A, B]. Secure by inserting the ribs on the stub tubes until the spring buttons click into the holes.



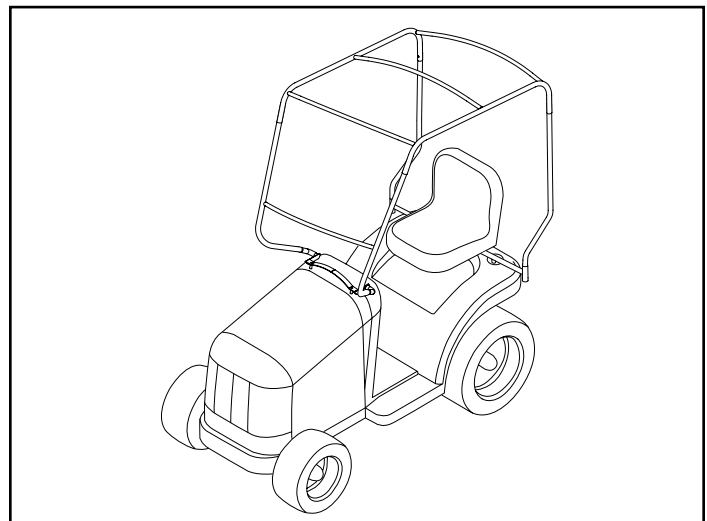
Step 17

To complete the frame, attach the Roof Assembly first to the front and then the rear upright poles. It may be difficult to assemble the frame if poles are not parallel. Ensure the spring buttons click into place.



Step 18

Completed frame.

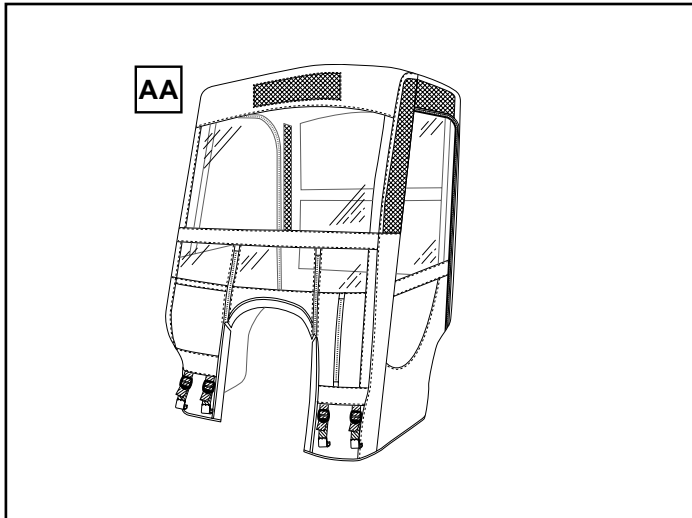


Assembly

Installing weather enclosure shell

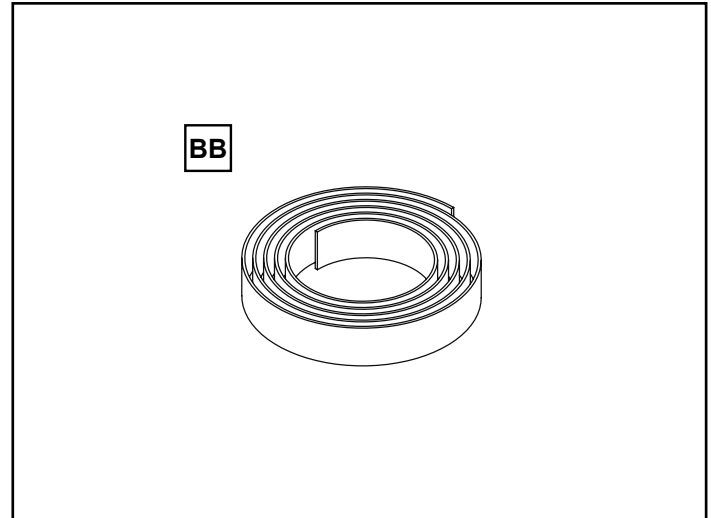
Step 19

Unpack the Fabric Skin [AA], making sure not to scratch the windows. Unzip the doors to aid in installation.



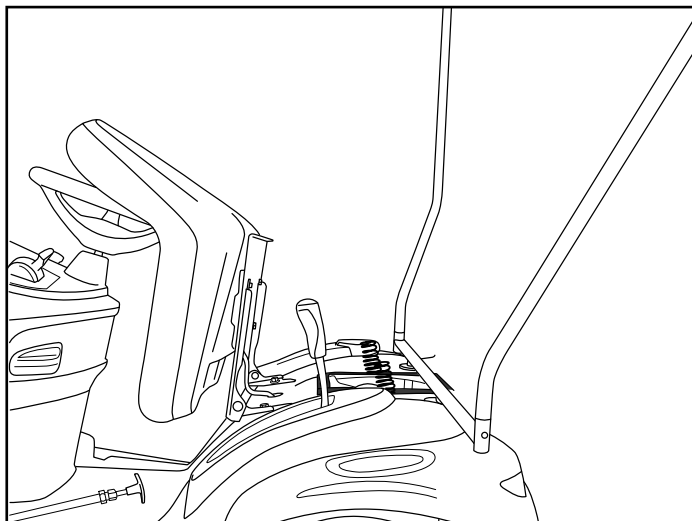
Step 20

Locate the Rip and Grip Roll.



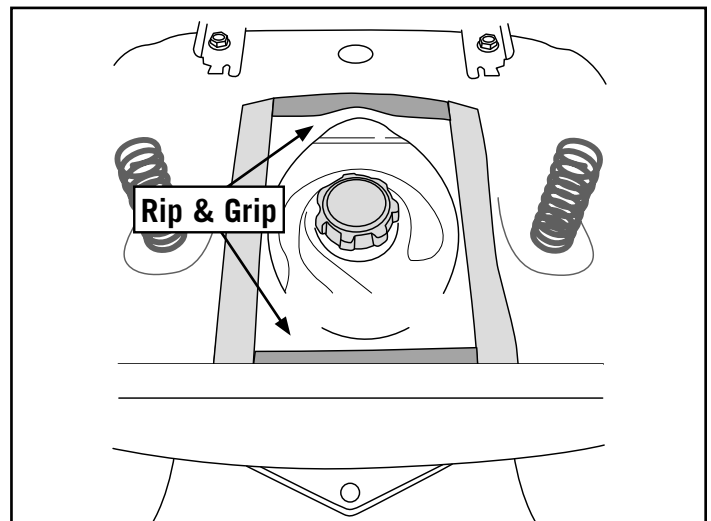
Step 21

Move the seat forward to gain access to the tractor's fuel access.



Step 22

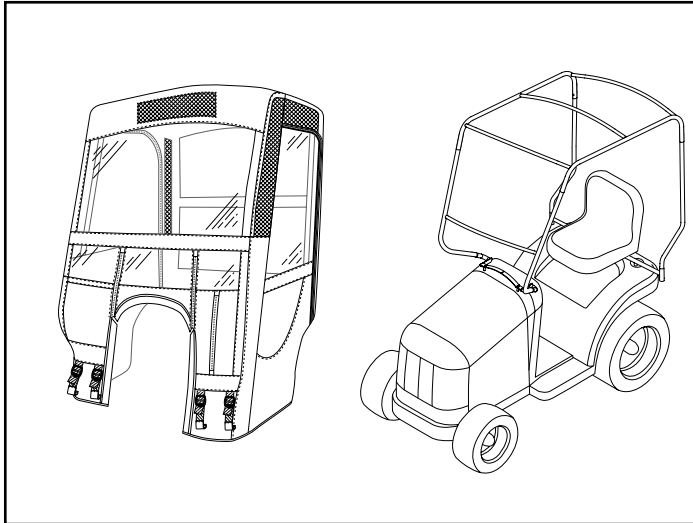
Install the adhesive backed Rip and Grip strips around the edges of the fuel access. Allow the Rip and Grip strips to cure for 24 hours in a warm environment before attaching the shell.



Assembly

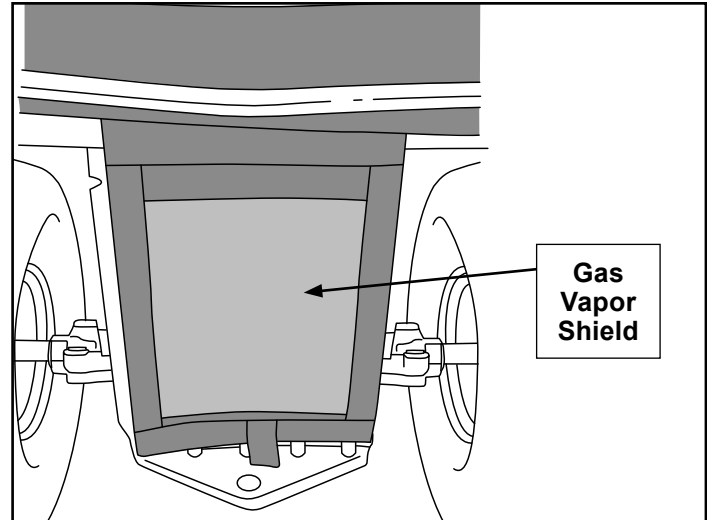
Step 23

Working from the front of the weather enclosure shell, gently pull the enclosure over the frame. Match the upper corners on the frame and center side to side.



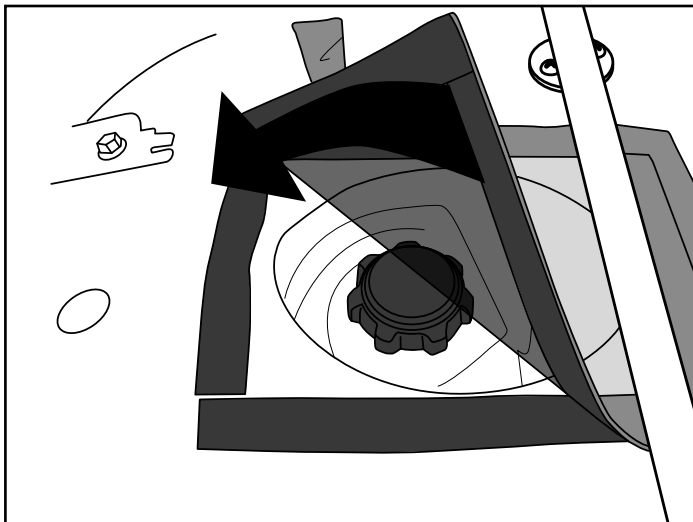
Step 24

Locate the gas vapor shield attached at the back of the Fabric Skin.



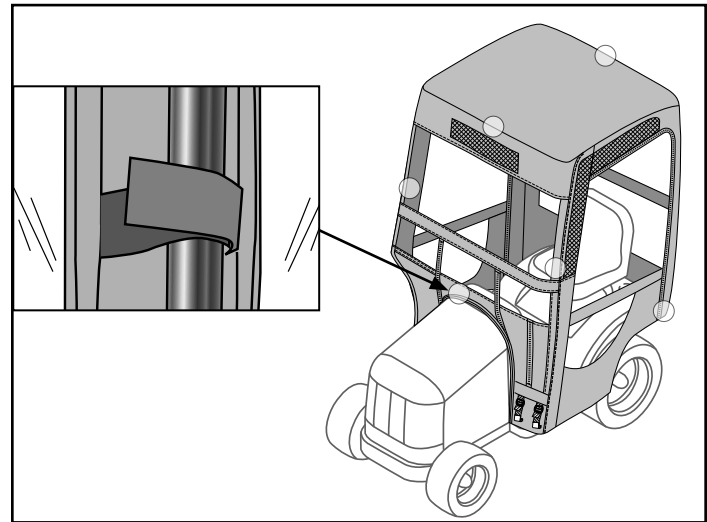
Step 25

Tuck the gas vapor shield under the Rear Mounting Bracket [L] and press the shield firmly to create a seal.



Step 26

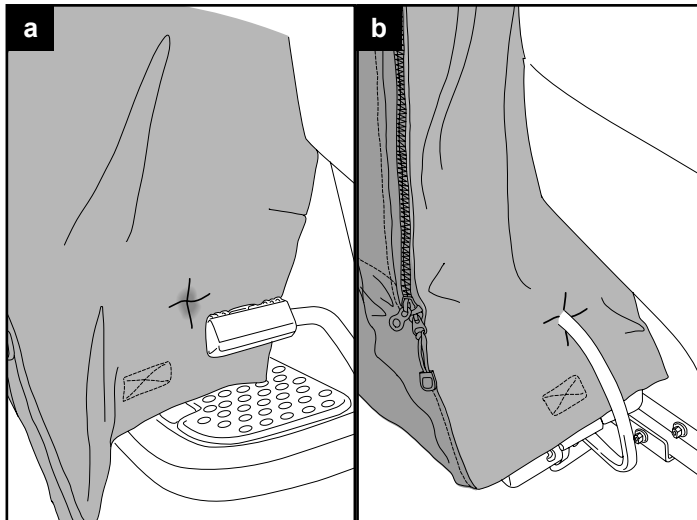
Secure the shell to the frame by using the Rip and Grip strips sewn into the inside of the shell. Wrap the straps around the roof ribs [G, I], the front horizontal rib [J] and all four frame uprights [C, D & E, F].



Assembly

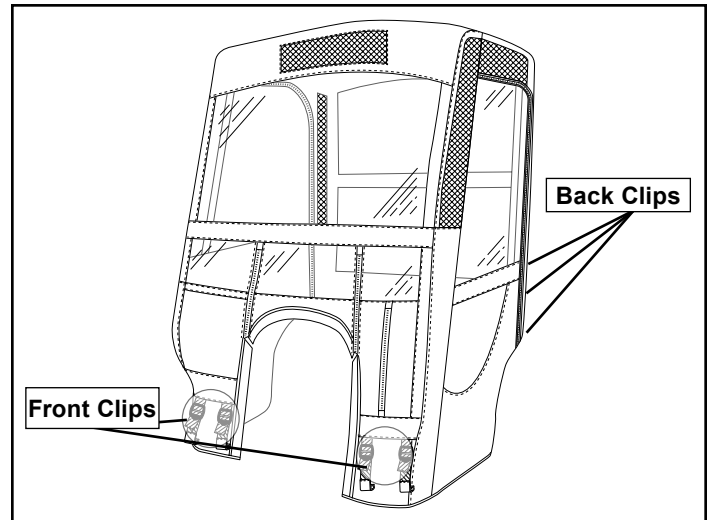
Step 27

At the bottom front left of the Fabric Skin, find the stretchable material skirt. If you have a model D105 or E100, find the hole in the fabric near the bottom right side for the pedal. Fold the outside part of the fabric in towards the mower and slip the hole over the foot pedal (FIG B).



Step 28

Locate the Clips on the Fabric Skin, four in the front and three in the back..

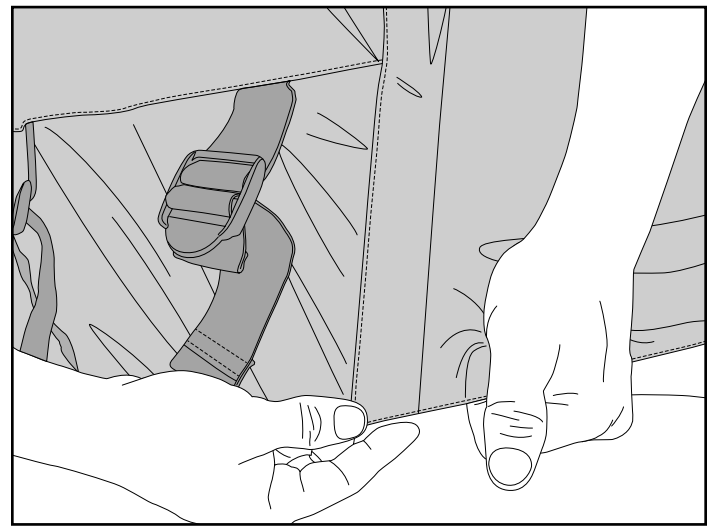
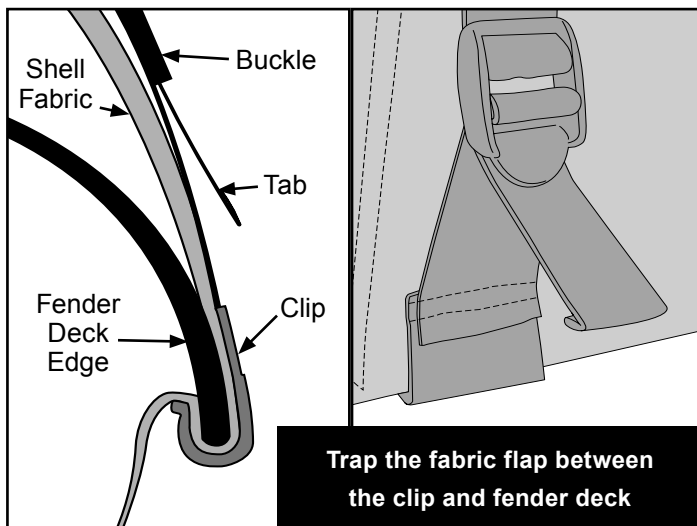


⚠ WARNING

This step helps seal the weather enclosure against the entrance of carbon monoxide gas. Breathing carbon monoxide gas can cause unconsciousness or death. Follow this step closely.

Step 29

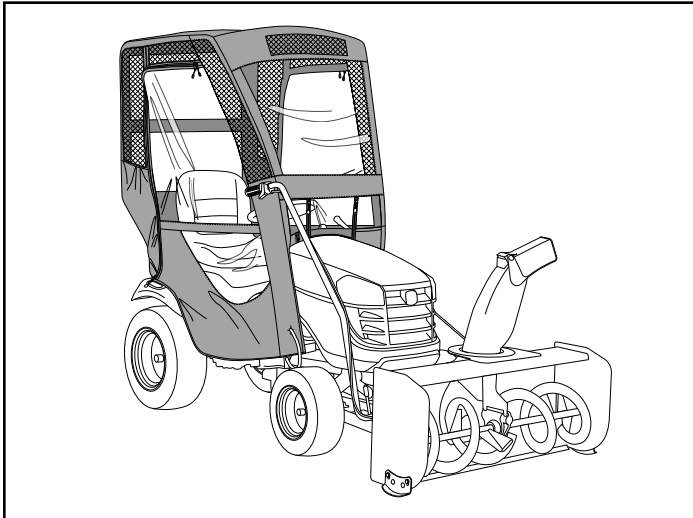
Secure the Skin using the Buckles attached to the front and the back of the enclosure. Pull the fabric down, wrap under the fender deck, place the plastic clip over the fabric to hold in place, and pull the free strap downward to tighten. Do not overtighten.



Assembly

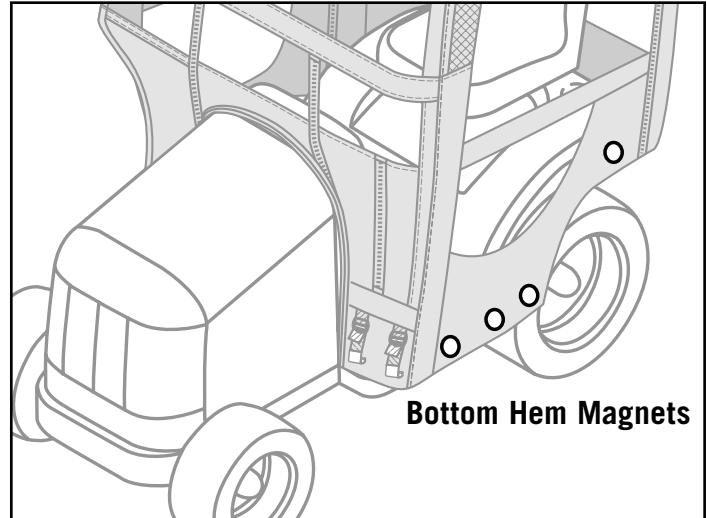
Step 30

Installation complete.



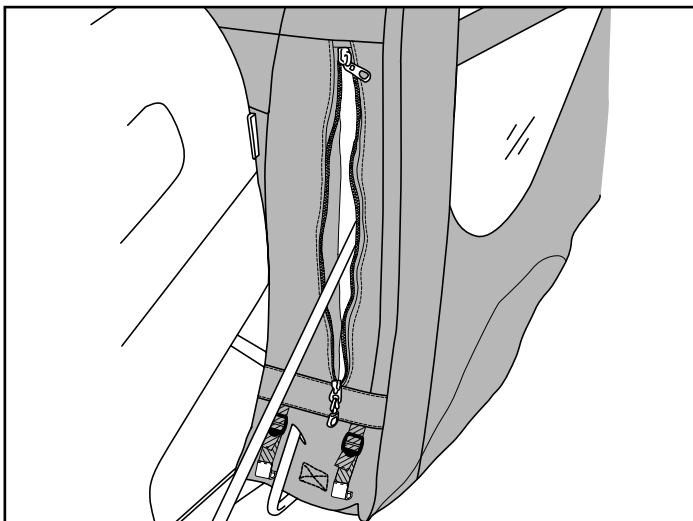
Step 31

Verify magnets align with the fender deck when the door is closed.



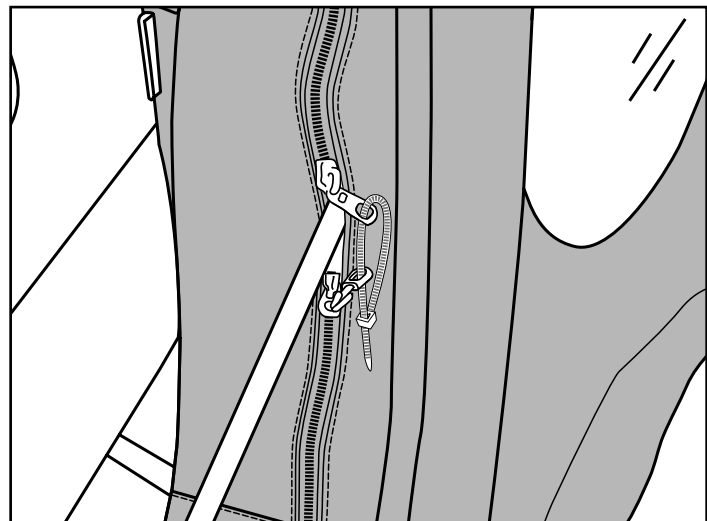
Step 32

The left front side of the weather enclosure has a zippered opening for use with riding mower accessories. To use, open the zipper and insert the controls for the accessory into the enclosure.



Step 33

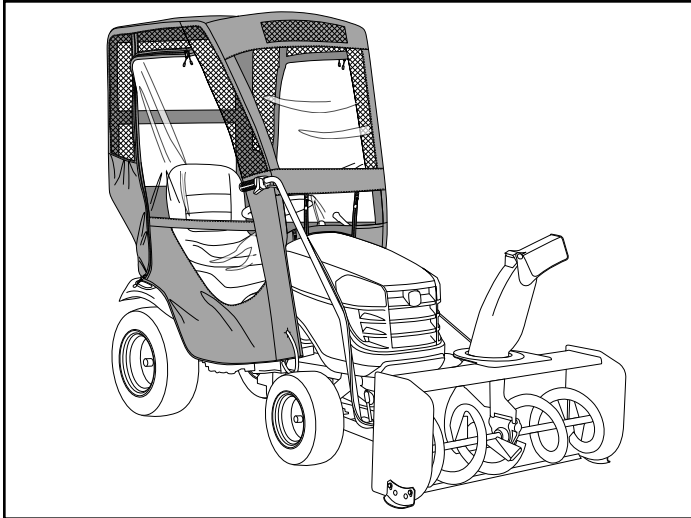
For a more weather-tight closure, use the included plastic cable ties and close zipper around the control arm. This will ensure that the zippers move in unison and stay tight.



Assembly

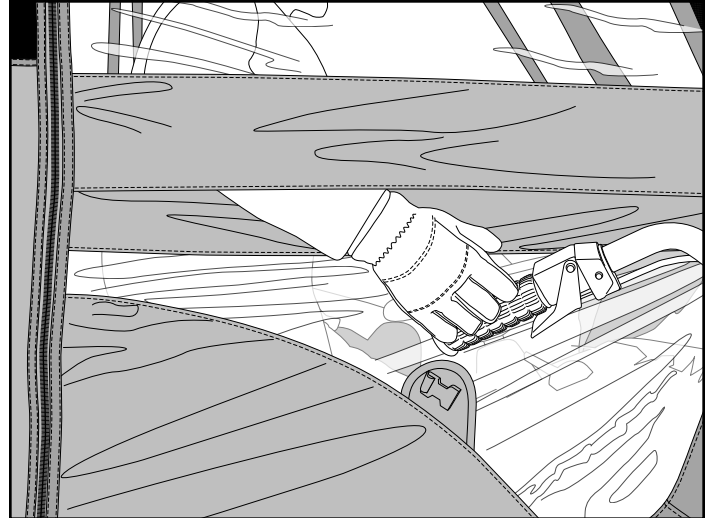
Step 34

When using the enclosure with the snow blower attachment, the control arm should be placed outside of the enclosure as shown.



Step 35

To use the snow blower attachment control arm, reach through the magnetic slit opening on the door to grab the handle.



Storing and General Maintenance

Storage

Store in a clean dry place. Allow your weather enclosure to dry completely before removing and storing. Avoid folding the plastic windows of the cover for long periods.

Bolts

Check all bolts before each use to see that they are tight. If one or more bolts come loose, failure of weather enclosure parts may occur.

Cleaning and Care

Don't clean the clear plastic of your weather enclosure when it is dry—you can scratch it. The best way to clean the clear plastic is to hose it with water and rub it with your bare hands or soft cloth. Liquid soap may be used.

During freezing weather an automotive windshield washer fluid and a soft cloth will work (don't use bare hands with the fluid).

Use a warm wet rag to wash the fabric areas of the weather enclosure. Don't use soap as it may remove protective coatings added by the factory.

Warranty

Two Year Limited Warranty

The manufacturer, Classic Accessories, LLC, will repair or replace, without charge, this product which under normal usage has proven to be defective in its manufacture or workmanship for a period of two (2) years from the date of initial retail purchase. This warranty is valid only to the original purchaser. This warranty is not transferable and does not cover any parts that have been subjected to misuse, abuse, alteration, overload, accident or normal wear of moving parts.

Classic Accessories is not responsible for direct, indirect, incidental or consequential damages. Some states and provinces do not allow limitations on how long an implied warranty lasts and/or do not allow the exclusion or limitation of incidental damages, so the above limitations may not apply to you. This warranty gives you specific legal rights, and you may also have other rights, which vary from state to state and province to province.

WARRANTY VOID IF PRODUCT USED FOR COMMERCIAL OR RENTAL PURPOSES OR IF THE WEATHER ENCLOSURE IS TRANSPORTED ON AN OPEN TRAILER OR TRUCK.

Call: 1-800-854-2315 for Warranty Assistance, Monday - Friday 8:00 a.m. - 4:00 p.m., PST

John Deere Quality Continues with Quality Service

John Deere provides a process to handle your questions or problems, should they arise, to ensure that product quality continues with quality parts and service support.

Follow the steps below to get answers to any questions you may have about your product.

1. Refer to your attachment and machine operator manuals.
2. In North America or Canada, call Classic Accessories Customer Service at 1-800-854-2315 and provide product serial number (if available) and model number.

 **CLASSIC**
ACCESSORIES
WE COVER YOUR GEAR®
CLASSIC ACCESSORIES, LLC
22640 68th AVENUE SOUTH
KENT, WA 98032, USA © 2017
classicaccessories.com
LP68121
09/14/2017

This product was manufactured by Classic Accessories, a John Deere Licensee, located at 22640 68th Avenue South, Kent, WA 98032-1980. If you have any questions or concerns with the assembly, installation or operation of this attachment see your local John Deere Dealer or call Classic Accessories at (800) 854-2315 for assistance.



Weather Enclosure
17cJ55_30995