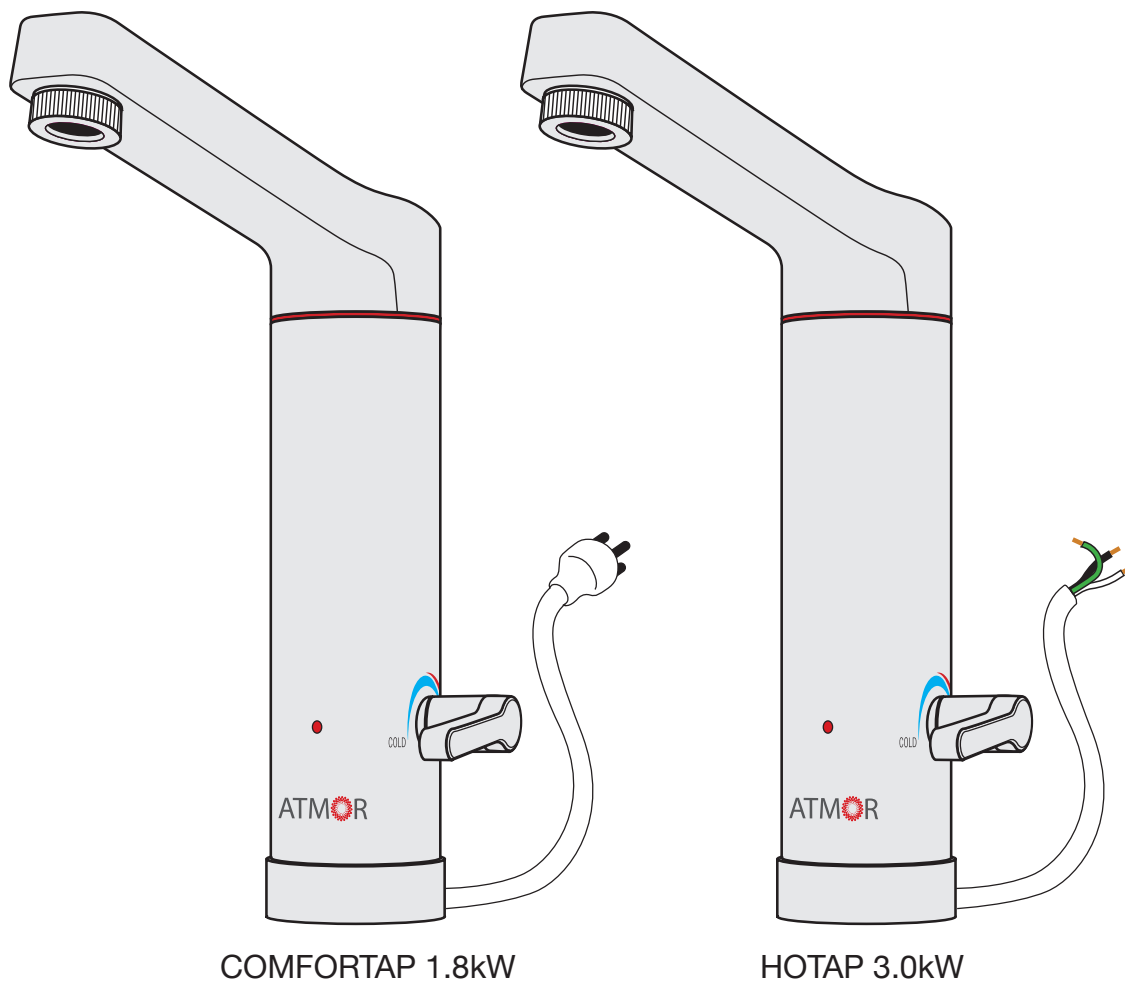




Installation and Operation Guide

COMFORTAP/HOTAP

Water Heater Faucet



www.atmorusa.com


Cat. No. 197575

Important Safety Guideline

SAVE THIS INSTRUCTION MANUAL FOR FUTURE REFERENCE.


Definitions: Safety Alert Symbols and Words

This instruction manual uses the following safety alert symbols and words to alert you to hazardous situations and your risk of personal injury or property damage.


 **DANGER:** *Indicates an imminently hazardous situation which, if not avoided, will result in death or serious injury.*

 **WARNING:** *Indicates a potentially hazardous situation which, if not avoided, could result in death or serious injury.*

 **CAUTION:** *Indicates a potentially hazardous situation which, if not avoided, may result in minor or moderate injury.*

 *(Used without word) Indicates a safety related message.*

NOTICE: Indicates a practice not related to personal injury which, if not avoided, may result in property damage.

 **WARNING:** PLEASE READ THIS INSTRUCTION MANUAL THOROUGHLY AND COMPLETELY BEFORE INSTALLATION AND USE. FAILURE TO DO SO COULD CAUSE DAMAGE TO PROPERTY, SERIOUS INJURY OR DEATH, AND VOID YOUR WARRANTY.

Please contact us directly, should you have any questions regarding your unit. We are available Monday- Friday, 9AM-5PM EST at:

Phone: 1-888-783-6082

Email: info@paragongroupusa.com

- | |
|--|
|  WARNING: Cancer and Reproductive Harm – www.P65Warnings.ca.gov . |
|  AVERTISSEMENT: Cancer et Troubles de l'appareil reproducteur – www.P65Warnings.ca.gov . |
|  ADVERTENCIA: Cáncer y Daño Reproductivo – www.P65Warnings.ca.gov . |

For California residents / Pour les résidents de la Californie / Para residentes en California

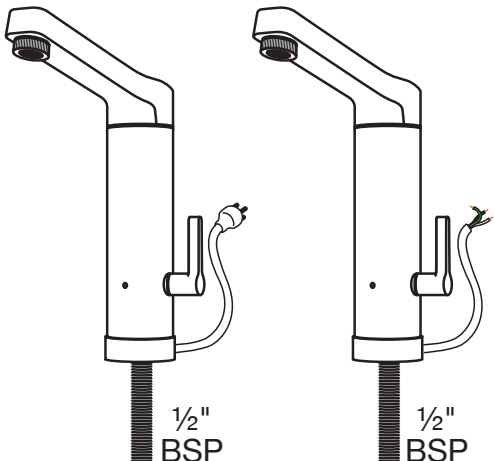
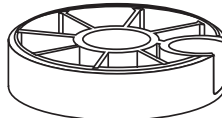


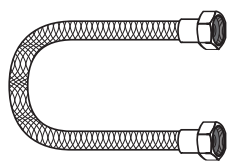
Contents

1. Packing List	4
2. Safety Instructions	5
3. HOTAP Features.....	6
4. Safety Features	6
5. Technical Specifications.....	7
6. Electrical Diagram	7
7. HOTAP Components.....	8
8. Installation Guidelines	9
9. Installation	9
10. Operation Instructions.....	11
11. Maintenance.....	11
12. Troubleshooting.....	12
13. LIMITED WARRANTY.....	12

Before Installing

By installing this product, you acknowledge the terms of the manufacturer's warranty and authorized dealer's return policy. Once the faucet is installed, do not return the product to the place of purchase. If you have any questions regarding the warranty or the product return policies, contact Atmor by phone or email.

1. Packing List

Item		Quantity
Instant water heater tap	 <p>1/2" BSP 1/2" BSP</p>	1
Fixture disk		2
Rubber pad		2
Mounting nut		1
Water inlet hose BSP 1/2" * NPT 1/2"	 <p>1/2" NPT 1/2" BSP</p>	1
Ghid de instalare si functionare	<div style="border: 1px solid black; padding: 5px; text-align: center;"> <p>Installation and Operation Guide</p> </div>	1

2. Safety Instructions

- ⚠ For your satisfaction and safety, read this guide thoroughly before installing and using the HOTAP water heater faucet.
- ⚠ For best performance, we recommend this appliance be installed by a licensed electrician and in accordance with all electrical and plumbing codes applicable to your area, and as specified in this guide.
- ⚠ Failure to comply with the safety, installation or operating instructions will void the product warranty.
- ⚠ This appliance is suitable for household and indoor use.
- ⚠ Do not attempt to install, clean, inspect, disassemble or service the faucet without first shutting off power to the unit from the breaker panel.
- ⚠ Never attempt to modify the internal wiring of the faucet. Doing so is potentially dangerous and will void the appliance's warranty.
- ⚠ This appliance is not intended for use by small children or people with reduced physical, sensory or mental capabilities, unless they are properly supervised and instructed on the use of the electric faucet.
- ⚠ **CAUTION** – To provide continued protection against shock: Connect only to a properly grounded GFCI protected receptacle outlet
- ⚠ Do not immerse in water.
- ⚠ Household use only.
- ⚠ To provide continued protection against risk of electric shock, connect to properly grounded outlets only.
- The product manufacturer and the product distributor will not be liable for any damages or injury caused by failure to comply with the installation and operating instructions specified in this manual or by improper use of the product.
- This appliance must be connected to a household water supply.
- This appliance must be connected directly to a dedicated 30A double-pole circuit breaker on the main electrical panel.
- Do not turn on the faucet if it is not connected to the water supply.
- If your water supply contains more than 200 ppm chlorine, it is recommended to use a water filtration system.
- If the water inside the faucet freezes, it can cause damage that is not covered by warranty. Do not turn on the faucet if you suspect water has frozen within the appliance. Wait until you are certain that the system has completely thawed before you turn it on.
- A mesh screen filter is installed on the water inlet, and should be removed and cleaned regularly.
- Use the handle to adjust the water flow, which in turn will increase (or decrease) the water temperature.
- The faucet underwent factory testing for water leakage and energization. It is normal to find residual water at the inlet and outlet of the faucet. Water should be flushed through the faucet before use.
- Rated pressure of the faucet is 0 kPa (0 bar). Make sure the water outlet is not blocked.
- If connecting a garden hose to the faucet, be sure the water outlet of the hose is open and not obstructed, to prevent continuous heating activation. Do not attach a spray handle to the hose.

- Make sure the hole through the counter is large enough for the electric cable to pass freely through it. The cable should also pass easily through the notches in the pedestal and rubber pads, as shown in the installation diagrams. Failure to install the electric cable properly could cause the wires to fray, which will void the appliance's warranty.
- ⚠️ If you detect damage to the wiring within the faucet, you must contact the manufacturer. The faucet must not be used until the unit wiring has been repaired.

3. HOTAP Features

The HOTAP water heater faucet is designed for household and indoor use. It is suited for use in kitchens, washrooms, bathrooms, garages, workspaces, and more.

The faucet can provide hot water instantly at any location that has access to both a cold water supply line and a suitable dedicated circuit breaker on the main electrical panel.

Operating the faucet is intuitive and requires few instructions. It works much like a regular water faucet.

4. Safety Features

- **Solid particle protection**
Complies with international standard IP25 for protection against access of fingers and foreign objects to hazardous parts.
- **Liquid ingress protection (waterproof)**
Complies with international standard IP25 for protection against harmful ingress of water into the enclosure.
- **LED indicator**
Provides visual confirmation that heating element is active.
- **Overheating protection**
Shuts off power supply when water temperature exceeds 120°F and automatically resets the electric faucet.
- **Backup overheating protection**
Shuts off power supply if water temperature exceeds 158°F due to component failure. Requires manual reset by certified technician.
- **Isolated for cool touch**
Faucet remains cool to the touch even when hot water is running.
- **Reinforced polymer canister**
Heating element is contained in a durable and non-conductive canister.

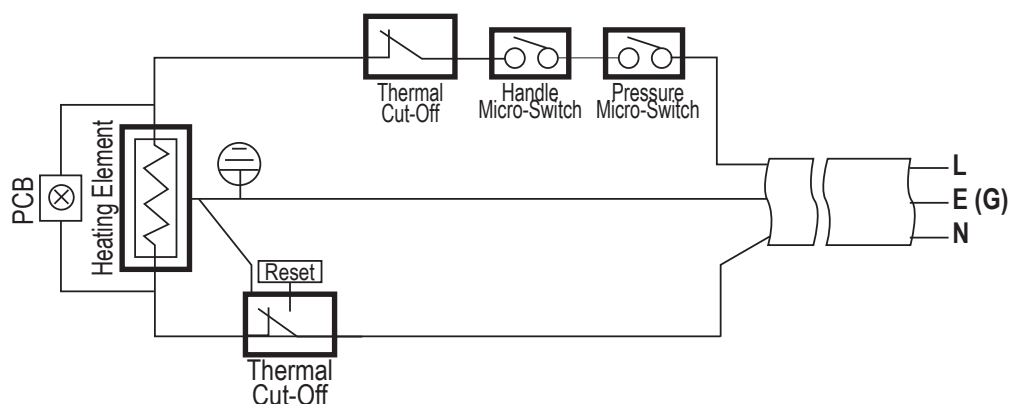
5. Technical Specifications

Item	Specification	
	COMFORTAP	HOTAP
Power	1.8 kW	3 kW
Hot water flow rate 3 bar	0.7 – 1.5 gallon/minute	
Voltage	120 V	
Rated current	15 A	25 A
Rated frequency	50/60 Hz	
Recommended cable size	12 AWG	16 AWG
Overheat protection	120°F	158°F
IP rating	IP25	
Minimum active pressure	0.8 bar (11.6 psi)	
Maximum active pressure	6 bar (87 psi)	
Water connection	NPT ½"	
Dimensions	H 10-3/8", W 8-1/8", Ø 2-1/2"	

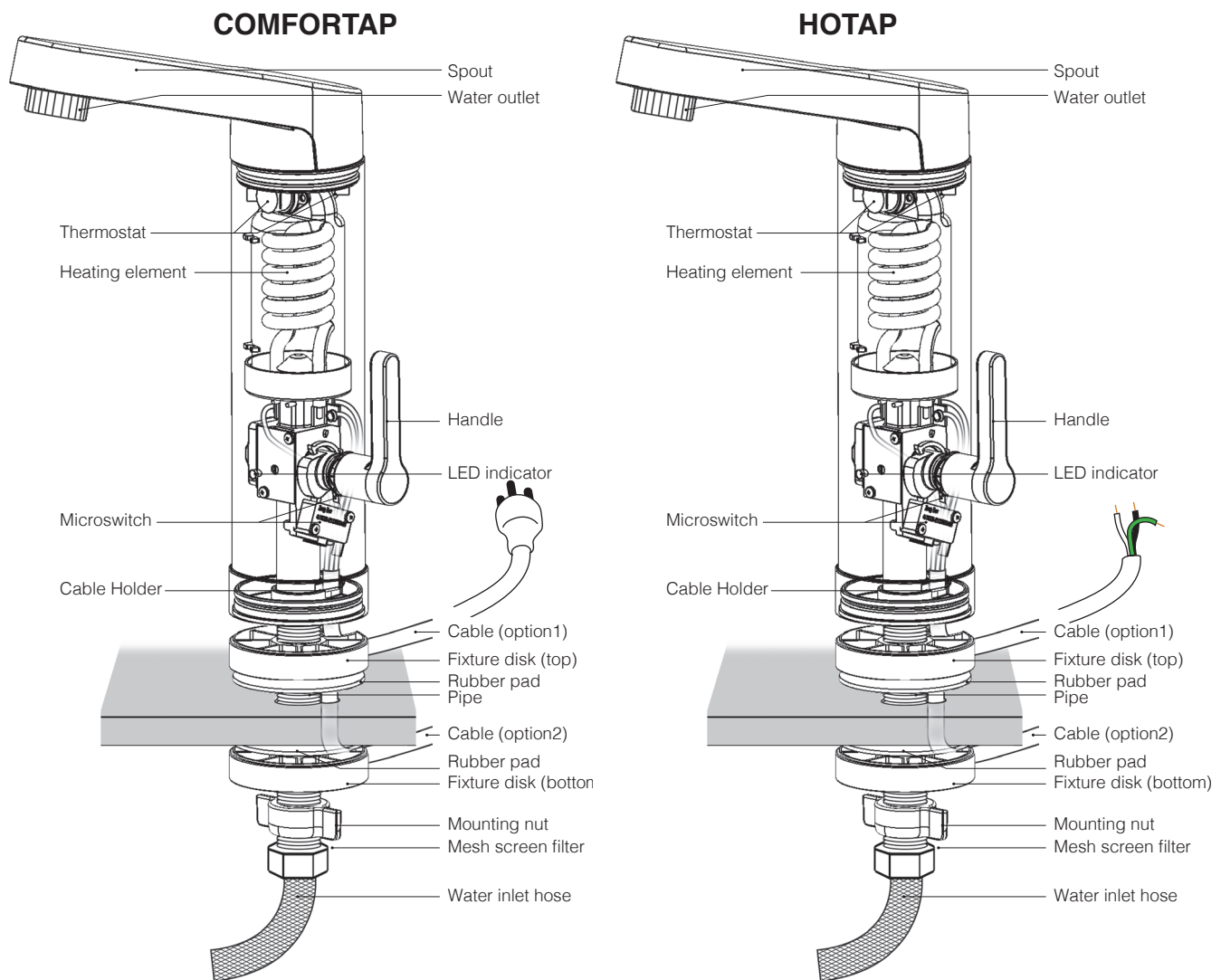
The outlet temperature is determined by:

- The temperature of the incoming water supply.
- The kW rating of the unit.
- The speed at which the water flows through the unit.

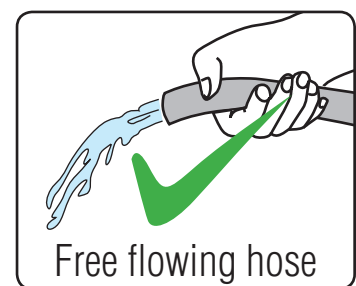
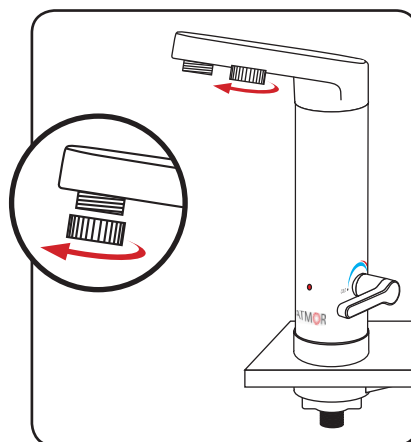
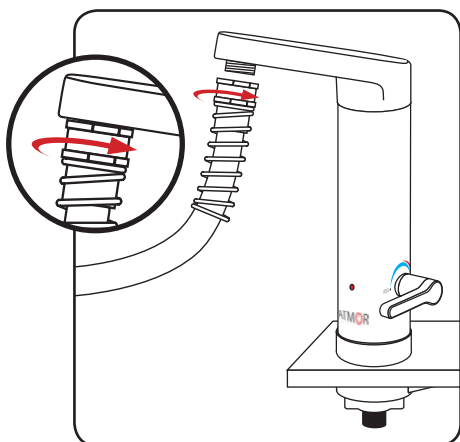
6. Electrical Diagram



7. HOTAP Components



The faucet allows the connection of a 3/4" garden hose to the outlet by unscrewing the aerator and attaching the hose. The garden hose outlet must always remain open to prevent heat buildup within the faucet.



8

Threaded spout for optional attachment of a 3/4" garden hose



To prevent heat buildup within the faucet, the water outlet must never be obstructed or closed off.

8. Installation Guidelines

- Make sure the appliance is fully intact and all fittings are complete.
- Make sure the power supply, grounding and cabling meet the specified requirements.
- Make sure the water pressure on the water supply line meets the specified requirements.
- Before installing and using the appliance, make sure there are no blockages in the water inlet or drain pipes.
- It is recommended to use stainless steel braided flex piping.
- Never solder the pipes or fittings.
- Before connecting to the power supply, you must complete all mounting and plumbing connections, and test the water supply. Make sure water flows sufficiently and evenly. Make sure there are no leaks.
- The wires in the faucet's power cable must be connected

9. Installation



Complete all mounting and plumbing connections before connecting to the power supply.

Operating the faucet without a water supply may cause damage to the appliance and will void the warranty.

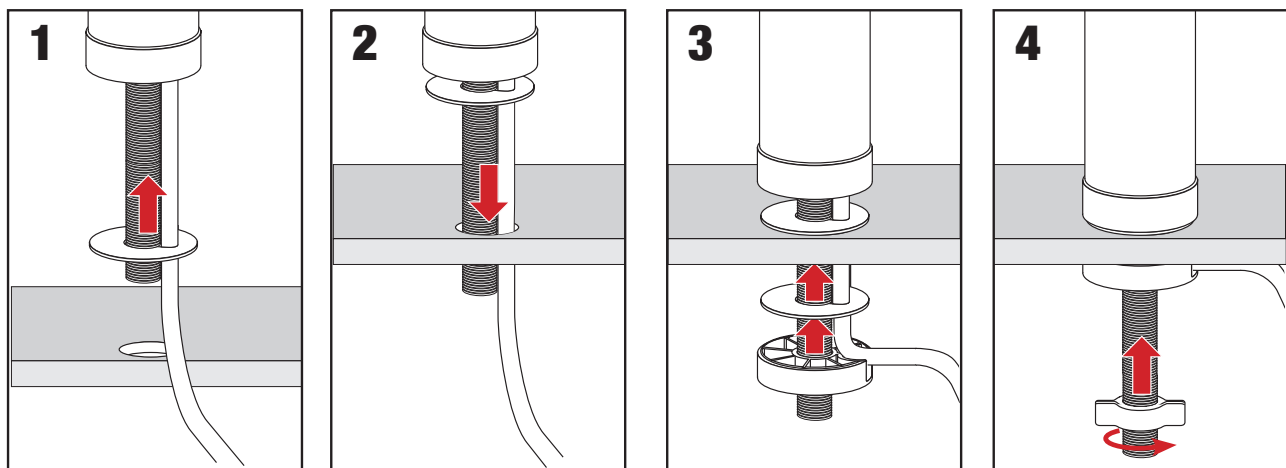
Cable under sink installation

Position the appliance upright with plumbing connections facing down.

1. Line up the rubber pad. (Fig. 1)
2. Feed the faucet's water pipe and cable through the hole. (Fig. 2)
3. Line up the rubber pad and Fixture disk. (Fig. 3)
4. Feed the mounting element. (Fig. 4)

Make sure the mounting elements are aligned.

Then tighten the mounting nut and make sure the faucet is secure.



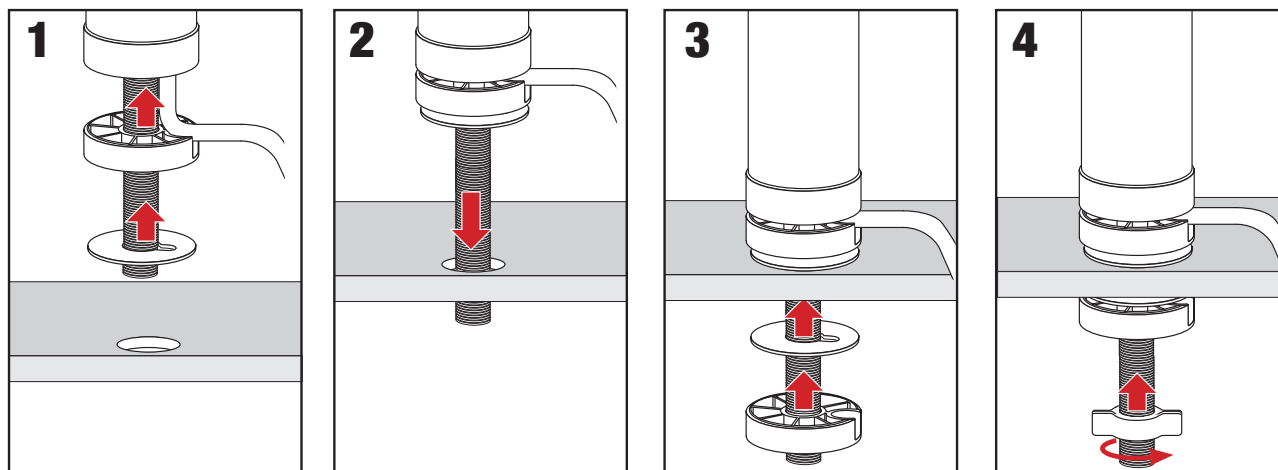
Cable over sink installation

Position the appliance upright with plumbing connections facing down.

1. Line up the Fixture disk and rubber pad. (Fig. 1)
2. Feed the faucet's water pipe through the hole. (Fig. 2)
3. Line up the rubber pad and pedestal. (Fig. 3)
4. Feed the mounting element. (Fig. 4)

Make sure the mounting elements are aligned.

Then tighten the mounting nut and make sure the faucet is secure.



5. Plumbing installation:

Using the water inlet hose supplied in the HOTAP package (RECOMMENDED).

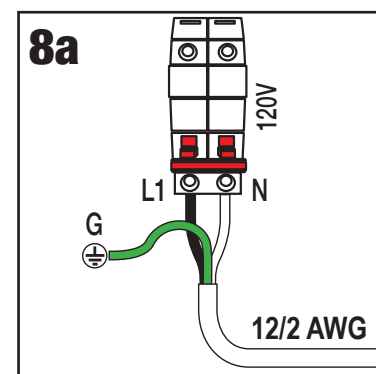
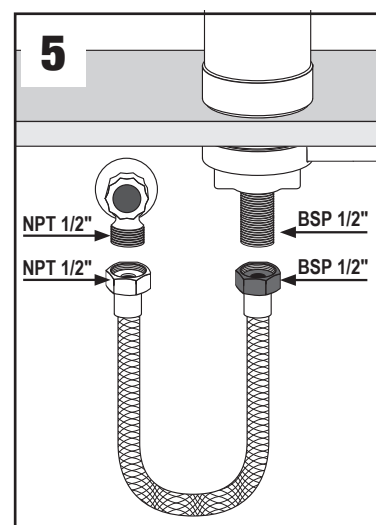
This hose has an NPT 1/2" fitting at one end for connecting to the water supply, and a BSP 1/2" fitting at the other end for connecting to the HOTAP pipe.

Note the colors of the fittings: The gasket in the BSP fittings is black, while the gasket in the NPT fitting is white.

6. Connect the hose to the pipe.
7. Turn on the water supply line. Then turn the faucet handle, and test the water supply for adequate flow and leaks. If no leaks are present, you can proceed to electrical installation.
8. Make sure the faucet handle is in the OFF position.

Model HOTAP 3kW

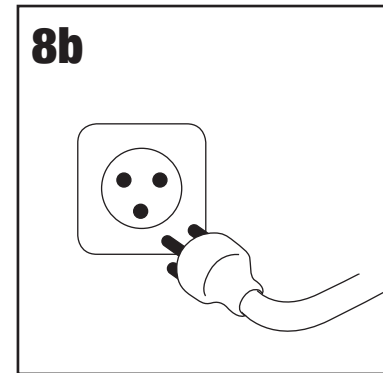
Connect the wires in the faucet's power cable directly to a dedicated circuit breaker on the main electrical panel, according to the electrical diagram shown here.(Fig. 8a)



Model COMFORTAP 1.8kW

Make sure the faucet handle is in the OFF position. Then plug the electric cable into the power outlet.(Fig. 8b)

9. After completing the plumbing and electrical installation, and when operating the appliance for the first time, allow cold water to flow through the faucet for at least 20 seconds to flush the water line of any debris. After thoroughly flushing the line, you can complete the electrical installation.



10. Operation Instructions



Improper use of this electric faucet may cause scalding.

Operation of the HOTAP water heater tap is simple.

- When the handle is fully forward (9 o'clock position), the appliance is shut off. (Fig. A)
- When the handle is in the middle facing up (12 o'clock position), cold water flows the strongest. (Fig.B)

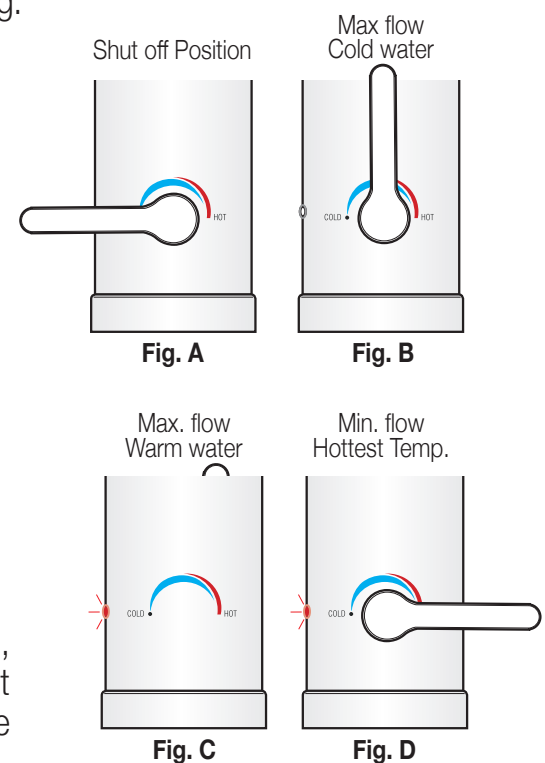
As the handle is pushed back, the red indicator LED lights up and warm water begins to flow. (Fig.C)

- When the handle is fully backward (3 o'clock position), water temperature is the highest, but flow rate is the lowest. (Fig. D)

To maintain the hottest temperature, you must keep the flow rate low.



If you will not be using the faucet for an extended period, especially when temperatures are cold and freezing, it is recommended that you disconnect the power cable and drain the faucet.



11. Maintenance



WARNING! Always disconnect the faucet from the power supply by means of the circuit breaker on the main electrical panel before performing any service on the appliance.

To ensure consistent water flow, it is recommended that you periodically remove scale and dirt that may build up in the mesh screen filter in the inlet.

Periodically unscrew the aerator and remove scale and dirt that may have accumulated in the aerator.

11. Troubleshooting

Problems	Possible causes	Corrective actions
No hot water comes out while the appliance is turn on.	No power.	Verificati partea electrica si cablul de conectare
Outlet water temperature is too high.	Water flow too slow.	Măriți debitul de apă
Outlet water temperature is too low.	Water flow too strong.	Reduce water flow.
	Mesh screen filter on the water inlet may be clogged.	Check and clean the mesh screen filter.
	Aerator may be clogged.	Check and clean the aerator.

12. Limited Warranty

The terms of this warranty are solely subject to the original owner and is at no time transferable. A transfer of ownership will result in an immediate termination of this warranty. This warranty is valid only if product is purchased from an authorized reseller.

Atmor warrants to the original owner that our instant electric hot water faucet will be free from defect in workmanship and material for a period of ONE YEAR from the date of purchase. Should any part(s) prove to be defective during this period, Atmor will be responsible for replacement of the defective part(s) only. Atmor is not responsible for labor charges or any incidental or consequential expenses. Atmor's liability is limited to the cost of the product or \$1,000.00, whichever is less. Atmor is not an insurer and the original owner should purchase insurance to cover damage to property or belongings. The original owner agrees to waive their right to jury trial or to participate in a class action. In addition, the original owner agrees to waive subordination to the extent a loss is covered by insurance, so that their insurance company cannot proceed with action against Atmor for recovery of any claims. Furthermore, all claims must be arbitrated in the state of New Jersey, USA.

Should the owner wish to return the electric hot water faucet for repair, the owner must first secure a written authorization from Atmor. The owner shall be required to show proof of purchase date and to pay all transportation costs to return the defective part(s) or electric hot water faucet for repair or replacement. Warranty is void if: (a) electric faucet has been installed or used improperly; (b) design has been altered in any way; (c) or if the electric faucet has been installed or used in contradiction to installation instructions, applicable laws and/or ordinances.

A full and complete version of this warranty is available online at www.atmorusa.com, or upon request from an Atmor representative.

Distributed by:

PARAGON GROUP USA LLC

Englewood, NJ 07631 USA

Contact service directly if you have any questions about your unit.

Monday – Friday, 9AM–5PM EST

Phone: 1-888-783-6082

Email: info@paragongroupusa.com