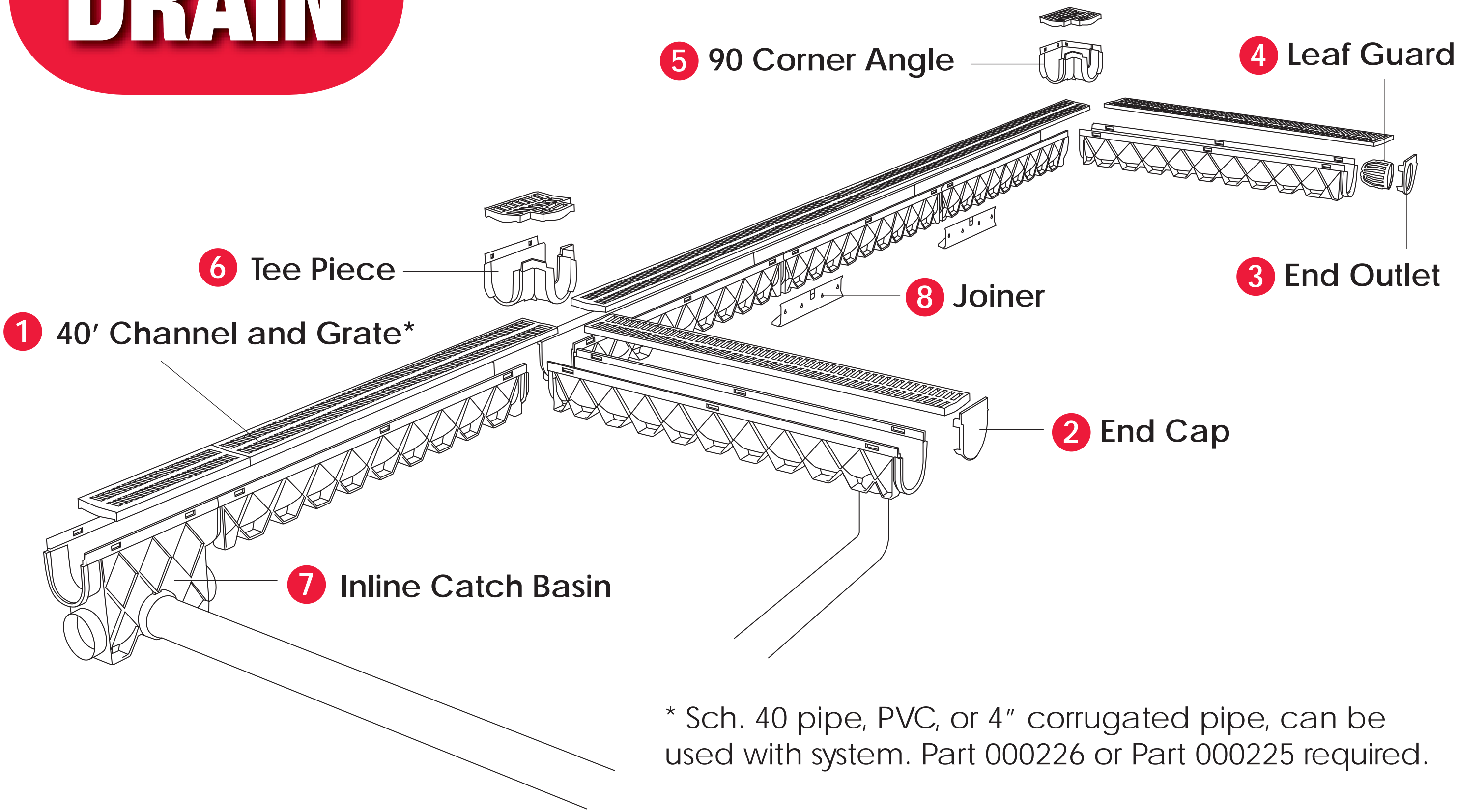




Complete Drainage System



* Sch. 40 pipe, PVC, or 4" corrugated pipe, can be used with system. Part 000226 or Part 000225 required.