

# 400 WATT FOG MACHINE

## USER MANUAL

USA/ États-Unis 1004176646  
YOW 1004126188



FOR INDOOR USE ONLY  
DON'T USE IT AS A TOY

### IMPORTANT SAFETY INSTRUCTION

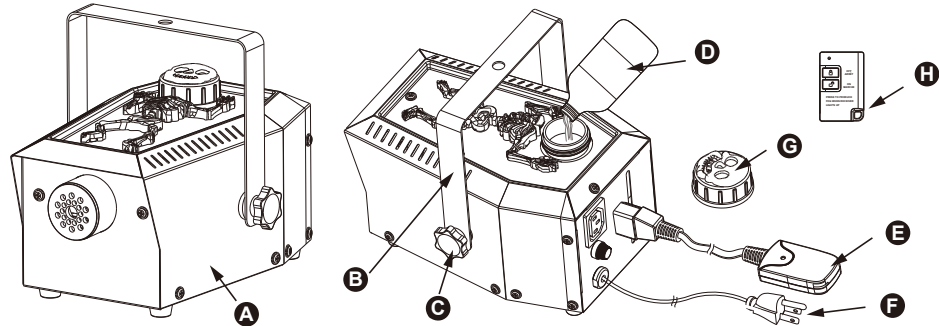
#### READ AND SAVE THESE INSTRUCTIONS FOR FUTURE REFERENCE

#### IMPORTANT TIPS:

- The fog machine needs time to warm up before it can produce fog. This may take 3-5 minutes. The fog machine will be ready to produce fog when the light on the (E) Receiver lights up. When filled to the max fill line, the fog machine will run for approximately 90 minutes before running out of fog juice. Refill when fog juice has been depleted.
- To produce fog, when the indicator light on the (E) Receiver is on, locate the (H) Transmitter and push "ON". Fog will flow until the fog machine needs to warm up again. To stop the fog early, press "OFF".
- After each fog blast, the fog machine will need to warm up again. This can take 1-2 minutes. The fog machine will be ready to produce more fog when the light on the (E) Receiver lights up again.
- If you have any broken or missing parts, please contact SVI customer service from 8:30am to 5:30pm PST at 1-855-428-3921, email customerservice@svius.com, or call The Home Depot customer service at 1-877-527-0313 before returning to the store.
- Always make sure there is enough (D) Home Accents Holiday Fog Liquid in the tank before using the fog machine.

#### PARTS LIST

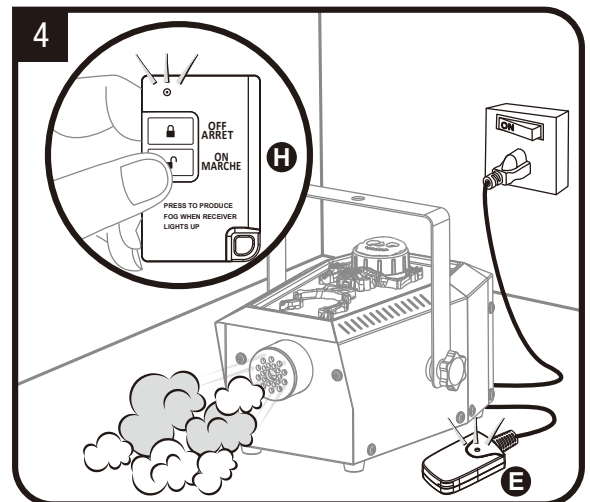
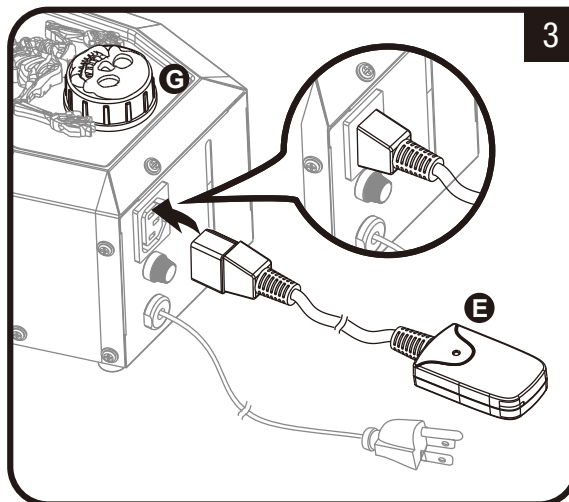
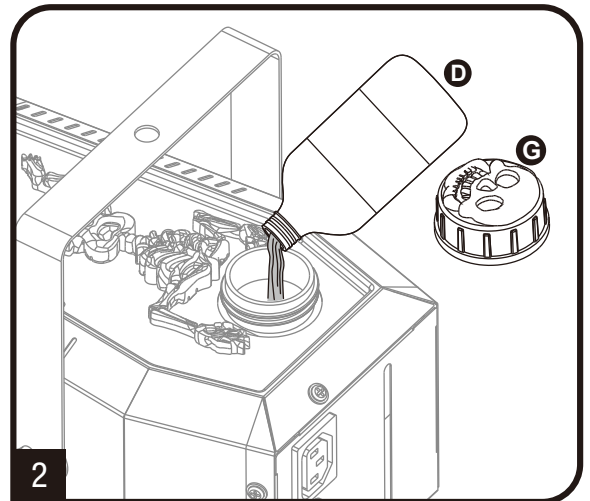
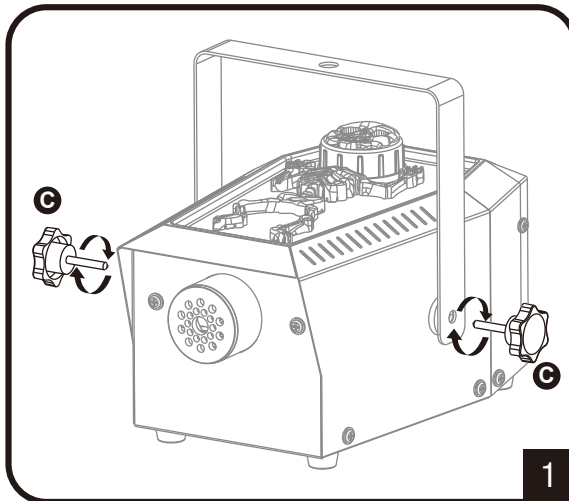
- A. Fog Machine
- B. Handle
- C. Handle Screw (2 Pieces)
- D. Home Accents Holiday Fog Liquid (not included)
- E. Receiver
- F. Power Cable
- G. Cap
- H. Transmitter



#### INSTRUCTION

1. Fasten (C) Handle Screws.
2. Remove (G) Cap and add fog juice, do not spill or exceed Max fill line.
3. Replace (G) Cap then plug (E) Receiver into (A) Fog Machine.
4. Plug (A) Fog Machine into outlet, wait until (E) Receiver lights up, then activate with (H) Transmitter. Press the "ON" button on the (H) Transmitter to activate fog only when the (E) Receiver light is on. When the (H) Transmitter is toggled "ON", the fog will flow until the (E) Receiver light turns off. The light will turn on again in 1-2 minutes after the (A) Fog Machine has warmed up again.

**Use a Home Accents Holiday Fog Timer (sold separately) to adjust the duration and frequency of each fog blast.**



## NOTE

This device complies with Part 15 of the FCC Rules. Operation is subject to the following two conditions: (1) this device may not cause harmful interference, and (2) this device must accept any interference received, including interference that may cause undesired operation.

Warning: Changes or modifications to this unit not expressly approved by the party responsible for compliance could void the user's authority to operate the equipment. This equipment has been tested and found to comply with the limits for a Class B digital device, pursuant to Part 15 of the FCC Rules. These limits are designed to provide reasonable protection against harmful interference in a residential installation. This equipment generates, uses and can radiate radio frequency energy and, if not installed and used in accordance with the instructions, may cause harmful interference to radio communications. However, there is no guarantee that interference will not occur in a particular installation. If this equipment does cause harmful interference to radio or television reception, which can be determined by turning the equipment off and on, the user is encouraged to try to correct the interference by one or more of the following measures:

- Reorient or relocate the receiving antenna.
- Increase the separation between the equipment and receiver.
- Connect the equipment into an outlet on a circuit different from that to which the receiver is connected.
- Consult the dealer or an experienced radio/TV technician for help.

## WARNING

To prevent risk of personal injury, fire, and electric shock:

- Never leave unit unattended while plugged in. Unplug when not in use or refilling.
- Connect only to a properly grounded outlet.
- Place product on a flat, level HARD surface and connect the cord to prevent the product from overturning.
- For use only in covered areas. Keep unit dry, do not expose to rain or moisture.
- Leave enough space for good ventilation. Keep unit cool and away from other objects.
- Use only with Home Accents Holiday Fog Liquid (sold separately).
- Do not operate unit without Home Accents Holiday Fog Liquid.
- Pour Home Accents Holiday Fog Liquid carefully to avoid spills which could result in electric shock. Do not use if liquid spills onto unit. Let unit dry completely before plugging in.
- Do not overfill the liquid.
- Keep away from flames and flammable/explosive substances to avoid fire or explosions. Never pour flammable liquids such as gas, perfume etc. into the fog machine.
- Keep product and Home Accents Holiday Fog Liquid out of reach of children. Use only under adult supervision.
- Do not spray in the direction of flames or people. Stay at least 20 inches (50cm) from the nozzle at the front of the unit.
- Do not obstruct the nozzle.
- Do not open unit. No user serviceable parts inside, please refer to your vendor. Only an electrician can change the power cord.
- Clean unit before storage to avoid damages.

## CAUTION

- Risk of burn, fire or electric shock.
- Please read instruction manual before using.
- Don't immerse in liquid.
- Not for space heating purposes.
- Changes or modifications not expressly approved by the party responsible for compliance could void user's authority to operate the equipment.

## FUSE REPLACEMENT

If the Fog Machine does not work at all when it is connected to the power socket, then it is probably that the fuse has been broken.

- Risk of electric shock and fire. Disconnect from power socket before replacing the fuse.
- Turn the fuse knob counterclockwise to reveal the fuse.
- Replace the fuse with the same size and type fuse: 5A, 125V
- Place fuse in cover and reinstall by turning clockwise. Be sure not to over tighten.

## ADDITIONAL INFORMATION

- (a) It is normal for condensation to appear on the nozzle of the Fog Machine.  
(b) A small amount of fog may spray during or after operation.

## MAINTENANCE & SERVICING

Use of fog liquids other than Home Accents Holiday Fog Liquid are not recommended and may result in blockage, leakage, or other damage to the unit.

## INSPECTION

Before each use, check unit for any cracks in the enclosure, remote control, cords, and plugs. Make sure there are no exposed wires. Do not use if any of the above conditions are found.

## CLEANING

Should you experience low fog output after many hours of continuous operation or after the machine has been idle or in storage for a long time, it is recommended to run a cleaning solution through the system to prevent the accumulation of particles in the heating element.

- (a) While the unit is unplugged and cool, empty all Home Accents Holiday Fog Liquid from the machine and replace with a fog machine cleaning solution in the tank. Fog Machine Cleaning Fluid (not included) is recommended. Plug unit in and allow to warm as usual.
- (b) Run unit in a well-ventilated area until tank is empty.
- (c) Cleaning is now complete. All fog machines are prone to clogging due to the consistency of Home Accents Holiday Fog Liquid and the high temperatures at which it vaporizes. However, a well-maintained machine should provide years of reliable use.

## STORAGE

It is important to remove all fluid from the unit when storing for an extended period of time.

1. When the unit is unplugged and cool, empty all Home Accents Holiday Fog Liquid from the machine. Plug in unit and allow to warm as usual.
2. Before storage, it is recommended to follow the CLEANING procedure available in this instruction sheet.
3. Run unit in a well-ventilated area for 10-seconds to confirm tank is empty and dry.
4. Store on a flat, level surface. Keep in a well-ventilated, cool and dry location.

For best performance, operate unit for 10-minutes every 3 months. Follow the Operation Instructions and Storage instructions accordingly.

## TROUBLESHOOTING

Issue	Correction
Fog machine will not produce fog	<ul style="list-style-type: none"><li>· Ensure there is sufficient Home Accents Holiday Fog Liquid in the tank.</li><li>· Ensure the fog machine is plugged into a working outlet.</li><li>· Ensure the fog machine has been given 3-5 minutes to heat up.</li><li>· Ensure the light on the transmitter turns on when pressing the buttons. If not, try replacing the batteries.</li><li>· Ensure the fuse is not blown. Follow instruction under Fuse Replacement section of manual.</li><li>· Ensure you are standing close enough to the fog machine for the receiver to pick up the signal from the transmitter (remote).</li></ul>
Fog machine will not produce constant fog, it stops and starts	This is how the fog machine is supposed to work. You will need to wait for the machine to reheat between fog bursts. You can purchase a fog machine timer (sold separately) which will enable you to not have to press the button on the remote each time. However, the fog machine will still need to reheat between each burst of fog
Fog output is low	<ul style="list-style-type: none"><li>· Try cleaning the machine (details in "Cleaning" section).</li><li>· Ensure there is sufficient Home Accents Holiday Fog Liquid in the tank.</li></ul>
Missing parts	Please call customer service at 1-877-527-0313 so a replacement can be sent to you.
Still experiencing an issue	Please call customer service at 1-877-527-0313 for further assistance.

## TECHNICAL SPECIFICATIONS

### FOG MACHINE

Item Code: 21SV21866  
Model #: FM400-ESH  
Rating Voltage: AC120V, 60Hz  
Power: 400W  
Ambient Temperature: -10 ~ 45°C  
Fuse: 5A, 125V  
Preheat Time: 3 ~ 5 Minutes  
Tank Capacity: 0.5 Liter  
Dimensions: L237 × W150 × H194 mm  
L9.3 × W5.9 × H7.6 inch

### TRANSMITTER

Item Name: Transmitter  
Working Voltage: 12V DC  
Model Number: QT-14T  
Working Current: 15mA Max.  
Require: Includes (1) 12 volt, type 27-A battery.  
Battery is not Replaceable.

### RECEIVER

Item Name: Receiver  
Rating Voltage: AC120V, 60Hz  
Model Number: QT-14R  
Working Current: 50mA Max.

© Seasonal Visions International  
Emeryville, CA 94608  
Tel: 855-428-3921  
All Rights Reserved  
MADE IN CHINA