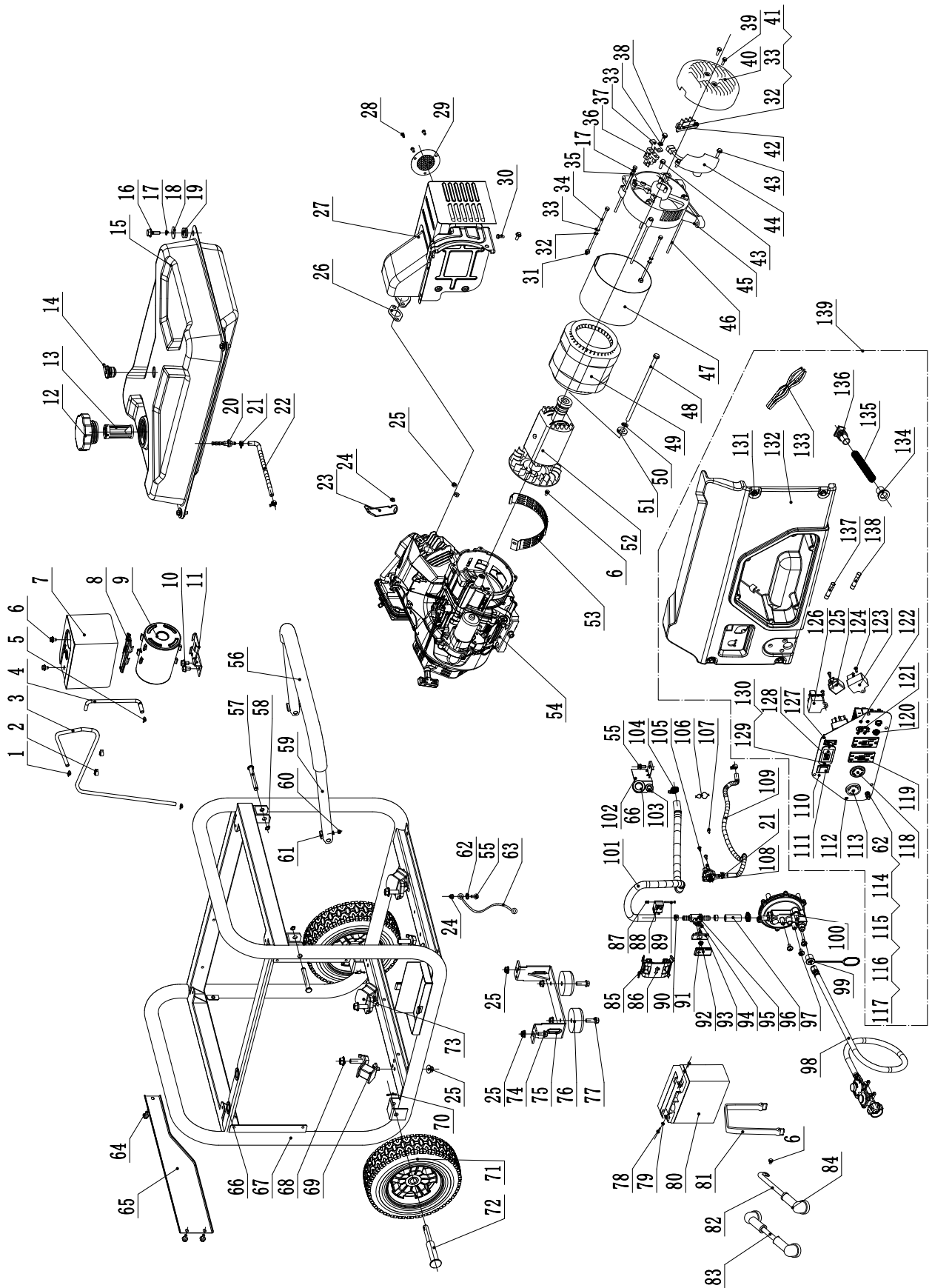


# SPECIFICATIONS

## Parts Diagram



#	Part Number	Description	Qty
1	2.06.006	Clamp, Ø7 x Ø1	2
2	2.05.001	Clamp, Ø8 x 6.5	2
3	152.070014.05	Pipe, Reversal Valve, 810 mm	1
4	152.070013.03	Pipe, Air Cleaner, 135 mm	1
5	2.06.004	Clamp, Ø8 x Ø1	1
6	1.5789.0608	Flange Bolt M6 x 8	4
7	152.070018.02	Board, Heat Insulation	1
8	152.070702.06	Support Arm, Top	1
9	152.070700.02	Carbon Canister, 650 cc	1
10	1.16674.0812	Flange Bolt M8 x 12	2
11	152.070702.05	Support Arm, Bottom	1
12	122.070100.07	Fuel Tank Cap	1
13	122.070300.03	Fuel Filter	1
14	24.070800.00	Reversal Valve	1
15	152.071000.31.48	Fuel Tank, Yellow	1
16	1.5789.0620.1	Flange Bolt M6 x 20, Black	4
17	1.93.06	Lock Washer Ø6	8
18	2.03.004.1	Flat Washer, Ø24 x Ø6.5 x 1.5, Black	4
19	122.070015.01	Mount Vibration, Fuel Tank	4
20	21.070600.01	Connect, copper	1
21	2.06.016	Clamp, Ø8 x b8	4
22	152.070011.08	Fuel Pipe, 265 mm	1
23	45.090006.20	Holder, Air Cleaner	1
24	1.61771.06	Lock Nut M6, Flange	3
25	1.61771.08	Lock Nut M8, Flange	11
26	47.100001.00	Gasket, Exhaust	1
27	46.101000.01.2	Muffler Assembly	1
28	1.9074.4.0510	Screw/Washer Assembly M5 x 10	3
29	46.101300.00	Spark Arrester Assembly	1
30	1.16674.0820	Flange Bolt M8 x 20	2
31	1.6175.05	Nut M5	2
32	1.97.1.05	Washer Ø5	4
33	1.93.05	Lock Washer Ø5	5
34	2.08.071	Bolt M5 x 229	2
35	1.97.1.06	Washer Ø6	4
36	152.190300.00	Carbon Brush Assembly	1
37	122.190004.01	Pinch, Carbon Brush	1
38	1.5783.0520	Bolt M5 x 20	1
39	1.16674.0512.2	Flange Bolt M5 x 12	2
40	152.190003.00.48	Generator End Cover, Yellow	1
41	1.5783.0516	Bolt M5 x 16	2
42	122.190400.00	Terminal Block	1
43	1.16674.0516	Flange Bolt M5 x 16	3
44	153.190200.03	AVR	1
45	152.190002.00	End Housing	1
46	2.08.069	Flange Bolt M6 x 194	4
47	154.191002.00	Stator Cover	1
48	2.08.070	Flange Bolt M10 x 280	1
49	154.191200.02	Stator Assembly, Al, Ø204 x 158 mm	1
50	1.7244.10	Lock Washer Ø10	1
51	1.96.10	Flat Washer Ø10	1
52	154.191100.02	Rotor Assembly, Al, 158 mm	1
53	152.192300.01	Air Guide	1
54	48.690	Engine	1
55	1.5789.0612	Flange Bolt M6 x 12	2
56	152.200702.02	Cover, Handle	1
57	152.200703.03	Long Pin, Handle	2
58	1.894.1.10	Circlip Ø10	2
59	152.200701.14	Handle, U Style	1
60	1.894.1.08	Circlip Ø8	2
61	152.200703.02	Short Pin, Handle	2
62	1.862.06	Lock Washer Ø6, Toothed	2
63	5.1900.026	Grounding Line 150 mm	1
64	1.5789.0612.1	Flange Bolt M6 x 12, Black	3
65	152.200800.09.2	Decorative Plate	1
66	152.070031.00	Jacket, LPG Hose	3
67	65250.0.10.2	Frame	1
68	1.61771.10	Lock Nut M10, Flange	4
69	152.201200.03	Motor Mount, 1	2
70	2.16.001	Pin Ø2 x 33, "R" Shape	2

#	Part Number	Description	Qty
71	152.201701.09	9.5 in. Wheel	2
72	122.201501.25	Pin Roll, Wheel, Ø16 x Ø10 x 107	2
73	152.201200.04	Motor Mount, 2	2
74	1.5789.0816	Flange Bolt M8 x 16	2
75	152.200002.01.2	Support Leg, 84 mm	1
76	152.201400.00	Rubber, Support	2
77	1.5789.0825	Flange Bolt M8 x 25	2
78	1.9074.3.0510	Screw/Washer Assembly M5 x 10	2
79	1.61771.05	Lock Nut M5, Flange	2
80	9.1000.150	Battery 12V15AH	1
81	152.200904.00	Pinch, Rubber	1
82	5.1900.014	Black Wire, 320 mm, Battery	1
83	5.1900.021	Red Wire, 480 mm, Battery	1
84	152.200013.01	Jacket, Wire	3
85	152.201004.00	Lock Catch	2
86	152.200019.00.48	Switch Handle, Yellow	1
87	1.6170.03	Nut M3	1
88	5.1050.000	Switch	1
89	1.819.1.0330	Screw M3 x 30	1
90	2.06.032	Clip, Ø17	2
91	1.6182.05	Lock Nut M5	1
92	122.070032.00	Sleeve, Knob	1
93	122.070025.02	Knob	1
94	1.823.0408	Screw M4 x 8	2
95	122.074000.01	Cut-off Valve, B	1
96	152.070012.05	Pipe, 40 mm	1
97	2.08.055	Bolt M6 x 14	3
98	47.130021.01	LPG Hose With Regulator 3.3 ft. (1 m)	1
99	9.1500.002	Sleeve, Connector	1
100	47.136000.01	Pressure Reducing Valve	1
101	152.070012.06	Pipe, 750 mm	1
102	152.200018.01	Supporter	1
103	152.070031.01	Jacket, Fuel Hose	1
104	2.06.023	Clamp, Ø20	2
105	1.845.4816	Screw ST4.8 x 16	2
106	2.06.050	Clamp, Ø8 x Ø18	1
107	1.845.3513	Screw ST3.5 x 13	1
108	122.070400.06	Fuel Valve	1
109	152.070011.09	Fuel Pipe, 480 mm	1
110	152.199.14.2	Control Panel	1
111	5.1000.001.3	Ignition Switch, Red	1
112	1.9074.4.0514.1	Screw/Washer Assembly M5 x 14, Black	6
113	5.1120.008	Receptacle L5-30R	1
114	1.5783.0622.3	Bolt M6 x 22, Green	1
115	1.6175.06.3	Nut M6, Green	2
116	1.97.1.06.3	Washer Ø6, Green	2
117	1.93.06.3	Lock Washer Ø6, Green	2
118	5.1120.009	Receptacle L14-30R	1
119	5.1120.050	Receptacle 5-20R, Duplex, GFCI	2
120	5.1210.920	20Amp Circuit Breaker, Push button	2
121	5.1240.330	33Amp Circuit Breaker, Double Pole	1
122	1.9074.4.0306.1	Screw/Washer Assembly M3 x 6, Black	4
123	5.1810.003	VFO Diode	1
124	1.823.0514	Screw M5 x 14	3
125	5.1800.004	Rectifier	1
126	5.1820.001	Charger	1
127	5.1000.000.3	Battery Switch, Red	1
128	5.1430.002	Intelligauge	1
129	1.9074.4.0414.1	Screw/Washer Assembly M4 x 14, Black	2
130	1.61771.04.1	Flange Lock Nut M4, Black	10
131	1.5789.0615.1	Flange Bolt M6 x 15, Black	4
132	152.210002.17	Control Box	1
133	100297.21.10	Wire Assembly	1
134	122.210003.01	Wire Jacket, Control Box	1
135	5.1330.017	Sheath, Wire, Ø16 x 300 mm	1
136	152.210003.02	Plug, Control Box	1
137	5.1280.003	Fuse, 10A	1
138	5.1280.008	Fuse, 5A	1
139	100297.21	Control Panel Assembly	1

# SPECIFICATIONS

## Engine Parts Diagram

