

## TROUBLESHOOTING GUIDE

PROBLEM	SOLUTION
Unit shuts off unexpectedly or does not operate.	Check that the unit is plugged into a working electrical outlet. Check that the filters, UV-C shield and front panel are installed correctly. Check that the motor protector triggered. Unplug/replug into unit. Check that the front panel is latched firmly in place. Call Customer Service.
No air circulating from unit.	Unplug unit. Check filters. Clean Pre-filter if necessary. Replace Charcoal and HEPA filters if necessary.
Increase in noise level.	Make sure the filters are clean. Replace if necessary.
Odors and smoke are not removed.	Clean or replace the filters if they appear to be heavily soiled.
Discharged air has an aroma or odor.	Check to see if the filters are heavily soiled. Replace the filters. Air Purifiers emit small traces of ozone which may produce an odor.

### What is CADR?

CADR stands for "Clean Air Delivery Rate," which indicates the volume of filtered air delivered by an air purifier. CADR ratings show the effectiveness of how efficient the air purifier is at capturing fine particles from things like tobacco smoke and plant pollens from the room.

### Clean Air Delivery Rate

From air cleaner to air cleaner, compare the CADR numbers. First look at suggested room size. Then refer to the Clean Air Delivery Rate (CADR) numbers. The higher the number, the faster the unit filters the air.

**Refer to website for individual model CADR numbers.**

## LIMITED WARRANTY

To the consumer, Guardian Technologies LLC warrants this product to be free of defects in materials or workmanship commencing upon the date of the original purchase. Save your original sales receipt to validate start of warranty period. Warranty is not valid without receipt. If this product should become defective within the warranty period, we will repair or replace any defective parts free of charge. All warranty repairs must be completed by Guardian Technologies LLC. This warranty **does not cover unauthorized repairs**. The warranty does not include unusual wear, damage resulting from accident, or unreasonable use of the product. This warranty only covers the product when used with **genuine Guardian Technologies accessories**. This warranty covers product that was purchased from authorized distributors. This warranty gives you specific legal rights and you may also have other rights (other rights may vary from state to state in the U.S.A.)

**The product warranty registration can be completed online at [www.guardiantechnologies.com](http://www.guardiantechnologies.com).** We consider the registration process important to ensuring superior service to our customers, however submitting the warranty registration is optional and does not affect your rights to utilize this warranty according to the conditions stated above. To submit product under warranty the complete machine must be delivered pre-paid to Guardian Technologies LLC. Please include complete information including: the problem, the model number of the product, the day of purchase, and a copy of the original sales receipt along with your name, address, and telephone (email optional). Address returns to the attention of: Customer Service, at the address below. Additional questions or comments can be made toll free to the number listed below.

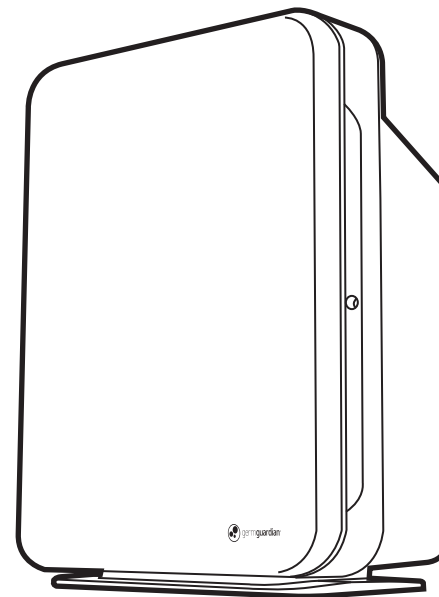
**Additional copies of the instruction manual can be obtained by accessing and printing directly from our website or calling customer service.**

**Guardian Technologies LLC**  
26251 Bluestone Blvd. | Euclid, Ohio 44132  
1.866.603.5900 | [www.guardiantechnologies.com](http://www.guardiantechnologies.com)

©2017 Guardian Technologies LLC



## USE & CARE INSTRUCTIONS



## 3-in-1 Allergen and Odor Reducing Air Cleaning System

**Model No. AC5900**

**3-Year Limited Warranty**

**Customer Service**

**1.866.603.5900**

**[www.guardiantechnologies.com](http://www.guardiantechnologies.com)**

Date Purchased month \_\_\_\_\_ year \_\_\_\_\_

English E - 1 French F - 1 Spanish S - 1

**Note: Do not void warranty – use GENUINE Guardian Technologies replacement parts only.**

REV0617

E-1

## READ AND SAVE THESE INSTRUCTIONS

### WARNINGS

**Failure to comply with the warnings listed below may result in electric shock or serious injury.**



This product should be used only in accordance with the specifications outlined in this manual. Usage other than what has been specified here may result in serious injury.

When using electrical appliances, basic precautions should always be followed to reduce the risk of fire, electric shock and injury to persons, including the following:

- Read all instructions before using appliance.
- **IMPORTANT** - This appliance has a polarized plug (one blade is wider than the other). To reduce the risk of electric shock, this plug is intended to fit in a polarized outlet only one way. If the plug does not fit fully in the outlet, reverse the plug. If it still does not fit, contact a qualified electrician. Do not attempt to defeat this safety feature.
- To avoid fire or shock hazard, plug the appliance directly into a 120V AC electrical outlet.
- Keep the cord out of heavy traffic areas. To avoid fire hazard, NEVER put the cord under rugs, near heat registers, radiator, stoves or heaters.
- To protect against electrical hazards, DO NOT immerse in water or other liquids. Do not use near water.
- Children cannot recognize the hazards associated with the usage of electrical appliances. For this reason, always supervise children when they are near the unit.
- Always unplug the air purifier before moving it, opening the grill, changing filters, cleaning or whenever the air purifier is not in use. Be sure to pull by the plug and not the cord.
- NEVER drop or insert any object into any openings.
- DO NOT run cord under carpeting.
- DO NOT cover cord with throw rugs, runners, or similar coverings.
- DO NOT route cord under furniture or appliances. Arrange cord away from traffic area and where it will not be tripped over.
- DO NOT operate any appliance with a damaged cord or plug, if motor fan fails to rotate, after the appliance malfunctions, or if it has been dropped or damaged in any manner. Call Customer Service at 1.866.603.5900 for assistance.
- Use appliance only for intended household use as described in this manual. Any other use not recommended by the manufacturer may cause fire, electric shock or injury to persons.
- DO NOT use outdoors.
- DO NOT place anything on top of unit.
- NEVER block the air openings, grills/outlets or place on a soft surface such as a bed or sofa, as this could cause the unit to tip over, blocking the air intake or outtake opening.
- DO NOT attempt to repair or adjust any electrical or mechanical functions on this unit. Doing so will void your warranty. The inside of the unit contains no user serviceable parts. All servicing should be performed by qualified personnel only.

- **WARNING:** To reduce the risk of fire or electric shock, do not use this purifier with any solid-state speed control device.
- **WARNING:** Skin or eye damage may result from directly viewing the light produced by the lamp in this apparatus. Always disconnect power before replacing lamp or servicing. Replace Lamp With Lamp Model No. LB4000, Manufactured by Guardian Technologies.
- Always unplug the unit before cleaning or servicing in any way.
- **CAUTION:** Do NOT use gasoline, benzene, thinner, harsh cleaners, etc. on and/or in the unit while cleaning as they will damage the product. NEVER use alcohol or other solvents.

The 8 hour TWA Ozone for this product is 0.001 ppmv when tested in a 30 m<sup>3</sup> chamber. The product complies with the maximum allowable concentration of ozone of 0.050 parts per million by volume (ppmv) in a 24-hour period. The Health Canada Guideline 2010 recommends that the maximum exposure limit, based on averaging time of 8 hours, is 0.020 ppmv or less when tested in a sealed, controlled room approximately 30 m<sup>3</sup>.



**WARNING:** This product can expose you to chemicals including lead or lead compounds, which are known to the State of California to cause cancer or birth defects or other reproductive harm.

For more information go to [www.P65Warnings.ca.gov](http://www.P65Warnings.ca.gov).



**LAMP CONTAINS MERCURY**



**Manage in accordance with Spills, Disposal and Site Cleanup Requirements. In case of breakage, follow clean-up procedures provided by contacts below.**

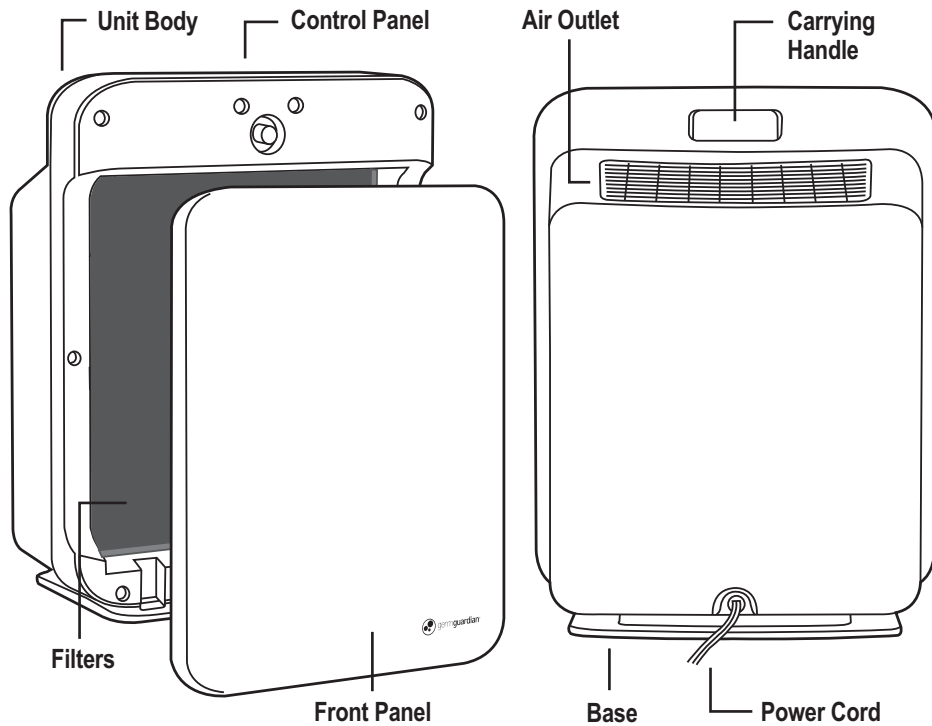
[www.epa.gov/cflcleanup](http://www.epa.gov/cflcleanup) 1-866-284-4010



This product earned the ENERGY STAR by meeting strict energy efficiency guidelines set by the US EPA. US EPA does not endorse any manufacturer claims of healthier indoor air from the use of this product.

The energy efficiency of this ENERGY STAR qualified model is measured based on a ratio between the model's CADR for Dust and the electrical energy it consumes, or CADR/Watt.

## PRODUCT SPECIFICATIONS AND PARTS

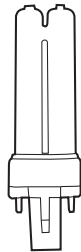


MODEL NUMBER: AC5900 DIMENSIONS: 9.65"L x 15.95"W x 20.87"H WEIGHT: 13 lbs

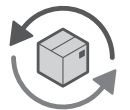
## REPLACEMENT PARTS



FILTER:  
Filter **J**  
Model No. FLT5900



UV-C BULB (5W):  
Model No. LB4000



Check out our  
**AutoShip & Save**

Filter Replacement Program™

[www.guardiantechnologies.com](http://www.guardiantechnologies.com)

**IMPORTANT:** To maintain warranty and the performance of the air cleaner,  
use Guardian Technologies GENUINE Replacement Parts only.

To Purchase Contact Customer Service

## AIR CLEANING SYSTEM

Improve your indoor air quality with your new Germguardian® Air Cleaning System. Multiple levels of cleaning include a combination True HEPA filter that captures allergens, and Charcoal filter to remove odors. UV-C Light Technology enhances germ-killing.

### Pre-Filter/Activated Carbon

Helps optimize the unit performance and extends the life of the filter by capturing larger dust and allergen particles. Traps and controls household odors and harmful VOC's in the home.

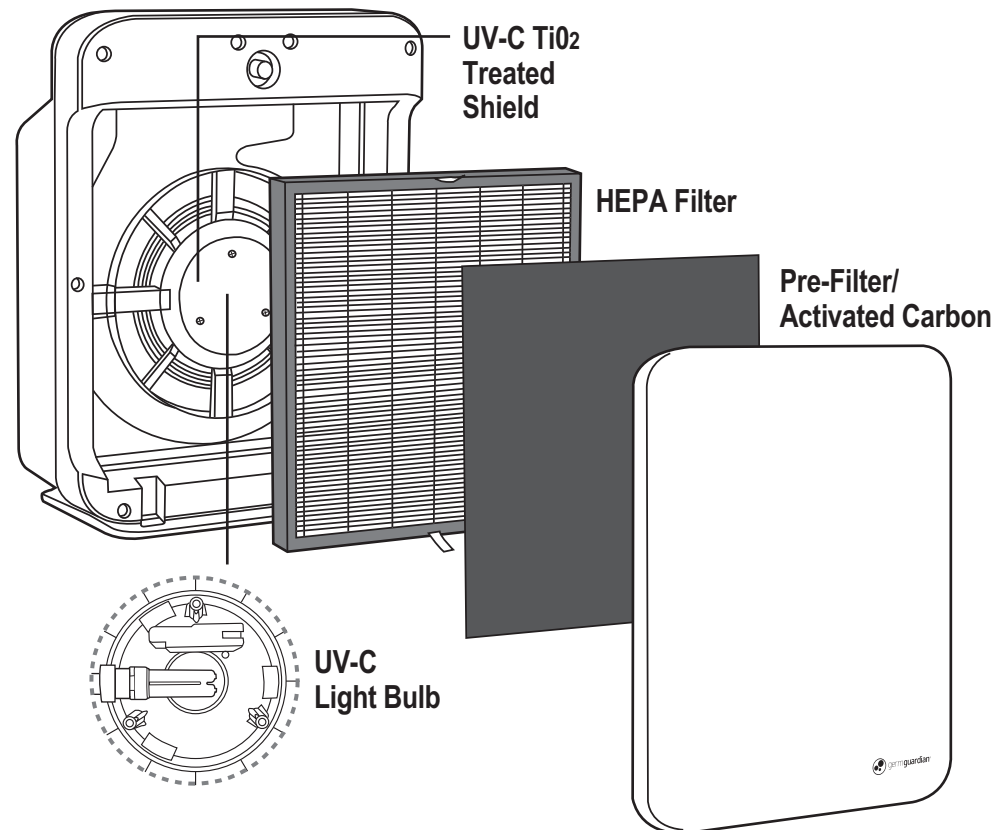
### True HEPA Filter

Captures 99.97% of dust and allergens down to .3 microns in size.

### UV-C Light

UV-C Light Technology works with Titanium Dioxide (TiO<sub>2</sub>) to enhance the elimination of airborne germs. TiO<sub>2</sub> is activated by the UV-C light to decompose remaining odor molecules caused by smoking, cooking and pets.

## AIR CLEANING LAYERS



## OPERATING INSTRUCTIONS

**Note:** Proper filter and front panel installation is necessary for unit to turn on.

### BEFORE OPERATING THE AIR PURIFIER

1. Select a firm, level and flat location for the air purifier.
  - For proper air flow, locate the unit at least 1 foot from any wall or furniture.
  - Make sure none of the grills are blocked.
2. Plug the power cord into a 120V AC outlet.
3. When moving the air purifier, always lift it by the carrying handle.

### OPERATING THE AIR PURIFIER

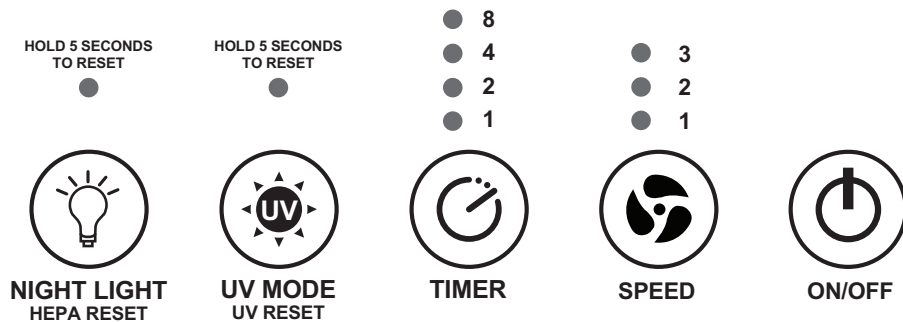
1. Turn unit power ON. The control panel power lights will turn on.

**Note:** The corresponding control panel lights will turn on depending on features selected.
2. Select fan speed Mode 1-3
  - a. Low speed
  - b. Medium speed
  - c. High speed
3. Timer

If you prefer to run the purifier for a specific number of hours, you can select 1,2,4,8 hours by pressing the button.
4. UV Mode: Turn UV light on/off.

UV Reset: The UV mode light will turn red when it's time to replace the UV bulb. Replace the bulb according to instructions (E9). Press and hold the UV mode button for 5 seconds to reset the UV indicator light.
5. Night Light: Turn night light ring on the front of the purifier on/off.

Hepa Reset: The night light indicator light will turn red when it's time to change the HEPA filter. Replace the filter according to instructions (E8). Press and hold the Night light button for 5 seconds to reset the HEPA filter light.



(CONTROL PANEL)

## OPERATING INSTRUCTIONS

### RESETTING THE AIR PURIFIER

The air purifier is equipped with a motor protection circuit. If activated, the overload warning indicator will initiate and shut off the unit power. An audible warning "ding" will sound for 60 seconds. To restart the unit, unplug the unit for 10 minutes, then plug back in and power on for normal operation.

**Note:** If the unit continues to shut down, there may still be an abnormal condition and the unit may need service. Call Customer Service.

## CLEANING & MAINTENANCE

### CLEANING

Always unplug the appliance before you clean it.

Never immerse the appliance in water or any other liquid.

Never use aggressive or flammable cleaning agents such as bleach or alcohol to clean any part of the appliance.

### BODY OF THE APPLIANCE

Regularly clean the inside and outside of the body to prevent dust from collecting on the inside and outside.

1. Wipe away dust with a soft dry cloth from the body of the appliance.
2. Clean the air inlet and the air outlet with a soft dry cloth.

### PRE-FILTER SCREEN

The pre-filter is designed to collect larger dust and debris and should be cleaned monthly or more frequently depending on use. Remove and clean regularly with the brush attachment of your vacuum cleaner. This will remove the lint and dirt and help maintain the life of the filters. (See filter replacement to locate and remove Pre-filter).

**NOTE:** Do NOT stick any foreign objects or your fingers inside of the unit.

**CAUTION:** Do NOT use gasoline, benzene, thinner, harsh cleaners, etc. on and/or in the unit while cleaning as they will damage the product.

**NEVER** use alcohol or other solvents.

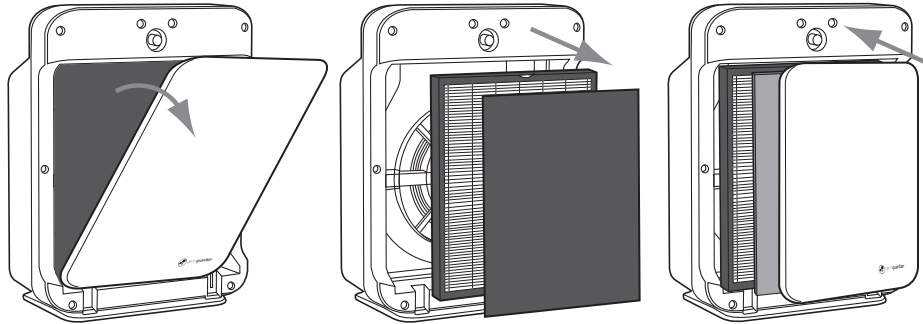
## FILTER REPLACEMENT

The "Replace Filter" indicator will turn red when it is time to replace both your HEPA and Carbon filters. Depending on usage and environmental conditions the filters will last approximately 6 months and should be replaced at the same time. The HEPA filter will turn from white to gray when it is dirty and needs replacing. It is important to maintain and change the filters to continue to optimize the performance of the air purifier.

**IMPORTANT:** DO NOT wash and re-use the filters. Please contact Customer Service to purchase a replacement filter.

### REMOVE AND REPLACE FILTER

1. Turn off and unplug the unit.



2. Gently pull the top of the front panel and lift from base.

3. Remove the filters by pulling the top and bottom tabs.

4. Insert the new filters into the unit – consult the arrows on the filters for correct installation direction.

5. Return the front panel: First insert the front panel bottom hooks then close the front panel. Make sure the magnetic closure is secure.

**Note:** Proper filter and front panel installation is necessary for unit to turn on.

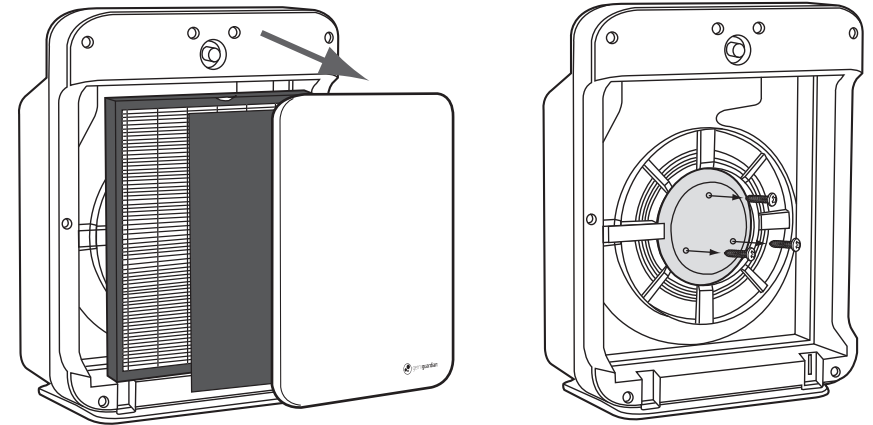
6. Reset the filter indicator light by holding the Night Light/Hepa Reset button for 5 seconds.



**NIGHT LIGHT  
HEPA RESET**

## INSTALLING & REMOVING UV-C BULB

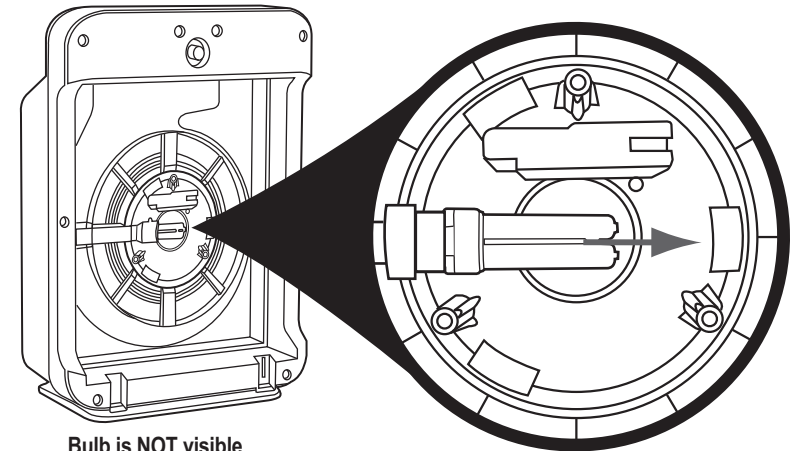
**UV Bulb Replacement Indicator:** The UV light on the display will turn red when it is time to replace the UV bulb.



1. Pull and remove the front cover and filter.

2. After removing the filter, use a Philips head screwdriver to remove 3 screws and detach the round UV-C Shield.

3. The UV-C Bulb is removed by carefully grasping the bulb with a clean cloth or tissue and pulling the bulb straight out of the unit.



**Bulb is NOT visible until the UV-C SHIELD has been removed.**

**PULL UV-C BULB STRAIGHT OUT OF UNIT.**

4. The UV-C Bulb is reinstalled by reversing the process in Step 3.

5. Replace the UV-C shield making sure to line up the notch in the shield with the bracket. Re-attach with 3 screws.

6. Reset the UV light by holding the "UV" button down for 5 seconds.



**UV MODE  
UV RESET**

**IMPORTANT:** The UV-C Bulb should be replaced every 10 - 12 months depending on use. Please contact Customer Service to purchase a replacement bulb.



# GUIDE DE DEPANNAGE

PROBLÈME	SOLUTION
Si l'appareil s'arrête intempestivement ou ne fonctionne pas.	Vérifier que l'appareil est branché à une prise de courant fonctionnelle. Vérifier que les filtres sont installés correctement. Vérifier que la protection du moteur est déclenchée. La débrancher et la rebrancher dans l'appareil. Vérifier que le couvercle avant est bien verrouillé en place. Communiquer avec le Service à la clientèle.
L'air ne circule pas dans l'appareil.	Débrancher l'appareil. Vérifier les filtres. Nettoyer le préfiltre au besoin. Remplacer le filtre au charbon et le filtre HEPA au besoin.
Augmentation du niveau de bruit.	S'assurer que les filtres sont propres. Remplacer les filtres au besoin.
OLes odeurs et la fumée ne sont pas éliminées.	Nettoyer ou remplacer les filtres s'ils semblent très sales.
TL'air sortant de l'appareil a une odeur.	Vérifier si les filtres sont très sales. Remplacer les filtres. Les purificateurs émettent des traces d'ozone, qui pourrait avoir une odeur.

## Qu'est-ce que le CADR?

CADR est l'acronyme de « Clean Air Delivery Rate » (débit d'air pur), soit le volume d'air filtré produit par un purificateur d'air. Les calibrages CADR indiquent l'efficacité d'un purificateur d'air dans sa filtration de particules fines comme la fumée de tabac et les pollens de plantes, dans une pièce.

## Débit d'air pur

Comparez les performances des différents purificateurs d'air à l'aide du CADR. Premièrement, repérez la superficie de la pièce suggérée. Puis, consultez les données CADR. Plus la valeur est élevée, plus l'appareil filtre rapidement l'air.

**Reportez-vous au site Web pour chaque modèle de numéros CADR**

## GARANTIE LIMITÉE

Guardian Technologies LLC garantit au consommateur que cet appareil est exempt de défauts matériels ou de fabrication, à partir de la date d'achat originale. Veuillez garder votre reçu de vente original pour justifier la date d'entrée en vigueur de la période de garantie. Sans reçu, la garantie devient nulle et non avenue.

Si cet appareil s'avère défectueux pendant la période de garantie, nous réparerons ou remplacerons toutes les pièces défectueuses gratuitement. Toute réparation couverte par la présente garantie doit être effectuée par Guardian Technologies LLC. La présente garantie **ne couvre pas les réparations non autorisées**. La présente garantie ne couvre pas l'usure inhabituelle et les dommages causés par accident ou par une utilisation déraisonnable de l'appareil. **La présente garantie ne couvre l'appareil que s'il est utilisé conjointement à des accessoires d'origine de Guardian Technologies**. La garantie couvre uniquement un appareil acheté auprès de distributeurs agréés. La présente garantie vous donne certains droits juridiques. Vous pouvez également bénéficier d'autres droits (les droits peuvent varier d'un État à l'autre aux États-Unis).

L'enregistrement de garantie de l'appareil peut se faire en ligne à l'adresse [www.guardiantechnologies.com](http://www.guardiantechnologies.com). Nous considérons le processus d'enregistrement comme important afin d'assurer un service supérieur à notre clientèle. Cependant, l'envoi de cette carte de garantie est facultatif et n'affectera en rien vos droits de faire valoir cette garantie en accord avec les conditions susmentionnées. Pour faire valoir la présente garantie, l'appareil complet doit être envoyé en port payé à Guardian Technologies LLC. Veuillez fournir des informations exhaustives, notamment : spécifiez la nature du problème, le numéro de modèle, la date d'achat, et incluez vos nom, adresse et numéro de téléphone (courriel facultatif) ainsi qu'une copie du reçu de vente original. Retournez l'appareil à l'attention de : Customer Service, et à l'adresse indiquée ci-après. Posez vos questions ou faites part de vos commentaires au numéro sans frais indiqué ci-après.

**Des copies supplémentaires de ce manuel d'utilisation peuvent être obtenues sur notre site Internet puis imprimées, ou en appelant le service à la clientèle.**

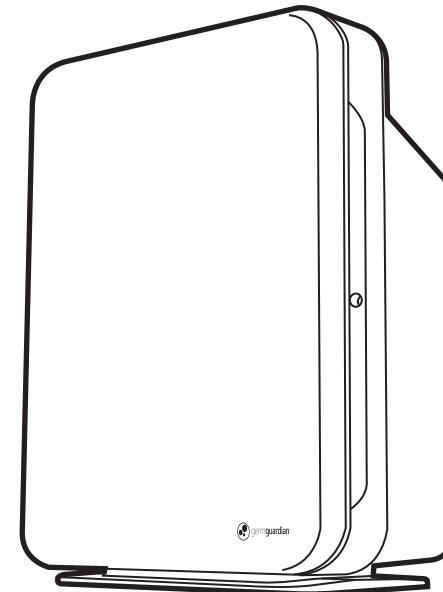
### Guardian Technologies LLC

26251 Bluestone Blvd. | Euclid, Ohio 44132  
1.866.603.5900 | [www.guardiantechnologies.com](http://www.guardiantechnologies.com)

©2017 Guardian Technologies LLC



## UTILISATION ET INSTRUCTIONS D'ENTRETIEN



## Systeme de purification d'air 3-en-1 réduisant les odeurs et les allergènes

NUMÉRO DE MODÈLE : AC5900

Garantie limitée de trois (3) ans.

**Service à la clientèle**

**1.866.603.5900**

**[www.guardiantechnologies.com](http://www.guardiantechnologies.com)**

Date d'achat mois \_\_\_\_\_ année \_\_\_\_\_

Anglais E - 1 Français F - 1 Espagnol S - 1

Remarque : N'annulez pas la garantie – utilisez uniquement des pièces de rechange **ORIGINALES** de Guardian Technologies..

REV0617

## LIRE ET CONSERVER CES INSTRUCTIONS AVERTISSEMENTS

### Le non-respect des avertissements mentionnés ci-dessous peut provoquer une décharge électrique ou des blessures graves.



Ce produit doit être utilisé en conformité avec les directives indiquées dans le présent manuel. De graves blessures peuvent résulter d'un usage du produit autre que celui indiqué dans le présent manuel.

Lorsque vous utilisez un appareil électrique, vous devez toujours respecter certaines consignes élémentaires de sécurité afin de réduire le risque de feu, de choc électrique et de blessure, dont les suivantes.

- Lisez toutes les instructions avant d'utiliser cet appareil.
- **IMPORTANT**-Cet appareil d'éclairage portable est équipé d'une fiche polarisée (une tige de la fiche est plus large que l'autre) pour réduire le risque de choc électrique. Cette fiche s'installe d'une seule façon dans la prise de courant. Si la fiche ne s'insère pas entièrement dans la prise, insérez-la dans l'autre sens. Si elle ne s'insère toujours pas, contactez un électricien agréé. Ne jamais utiliser de rallonge électrique à moins que la fiche s'insère entièrement. Ne modifiez pas la fiche.
- Pour éviter tout risque d'incendie ou de choc électrique, branchez l'appareil directement dans une prise électrique de 120 V c.a.
- Gardez le cordon d'alimentation à l'écart des zones de passage. Pour éviter tout risque d'incendie, ne faites JAMAIS passer le cordon d'alimentation sous un tapis ou à côté de grilles de chauffage, de radiateurs, d'appareils de chauffage ou de cuisinières.
- Pour protéger contre tout risque de choc électrique, NE plongez PAS l'appareil dans l'eau ou dans un liquide quelconque. N'utilisez pas cet appareil à proximité de l'eau.
- Une surveillance étroite est impérative lorsque tout appareil est utilisé à proximité d'enfants ou d'animaux de compagnie.
- Débranchez toujours le purificateur d'air avant de le déplacer, d'ouvrir une grille de protection, de changer les filtres ou lorsqu'il n'est pas utilisé. Assurez-vous de débrancher l'appareil en tirant sur la prise et non sur le cordon.
- Ne laissez JAMAIS tomber et n'insérez JAMAIS d'objets dans tout orifice de l'appareil.
- Ne faites pas passer le cordon électrique sous la moquette.
- Ne recouvrez pas le cordon électrique avec des carpettes, des tapis d'escalier ou tout autre revêtement similaire.
- Ne faites pas passer le cordon électrique sous les meubles ni les appareils électroménagers. Disposez le cordon électrique à l'écart de la zone de passage et où personne ne risque de trébucher dessus.
- N'utilisez JAMAIS un appareil dont le cordon d'alimentation ou la fiche est endommagé, dont le moteur du ventilateur ne tourne plus, à la suite d'une défaillance ou d'une panne, ou qui est tombé ou est endommagé de quelque manière que ce soit. Veuillez communiquer avec le service à la clientèle au 1.866.603.5900 pour obtenir de l'aide.
- N'utilisez l'appareil que conformément à son utilisation prévue et décrite dans le présent manuel. Toute utilisation autre que celles recommandées par le fabricant risque de provoquer un incendie, un choc électrique ou des blessures.
- N'utilisez PAS cet appareil à l'extérieur.
- N'obstruez JAMAIS les sorties d'air, les grilles de protection ou les prises de l'appareil. Ne placez JAMAIS l'appareil sur une surface molle, telle qu'un lit ou un canapé, car cela risque de faire tomber l'appareil, obstruant la sortie ou l'entrée d'air.

- N'essayez PAS de réparer ou de régler toute fonction électrique ou mécanique de cet appareil. Agir ainsi annulera la garantie. L'intérieur de cet appareil ne contient aucune pièce remplaçable. Toute réparation doit être faite uniquement par un professionnel qualifié.
- NE METTEZ rien sur l'appareil.
- Les enfants ne peuvent pas identifier les risques liés à l'utilisation des appareils électriques. Pour cette raison, surveillez toujours les enfants lorsqu'ils sont à proximité du purificateur d'air.
- **AVERTISSEMENT**: Pour réduire le risque d'incendie ou de choc électrique ne pas utiliser ce ventilateur avec un dispositif de commande de la vitesse à semi-conducteurs quel qu'il soit.
- **AVERTISSEMENT** : Ne regardez pas directement la lumière émise par la lampe dans cet appareil pour éviter des dommages à la peau ou aux yeux. Débranchez toujours l'alimentation avant de remplacer la lampe ou d'entretenir l'appareil. Remplacez la lampe avec le modèle de lampe no LB4000, fabriqué par Guardian Technologies.
- Débranchez toujours l'appareil avant d'effectuer tout nettoyage ou tout entretien.
- **MISE EN GARDE** : N'utilisez PAS d'essence, de benzène, de diluant ou de nettoyeurs puissants (entre autres) pour nettoyer la surface intérieure ou l'extérieur de l'appareil, car cela risque de l'endommager. N'utilisez JAMAIS d'alcool ni d'autres dissolvants.

L'ozone moyenne pondérée dans le temps de 8 heures pour ce produit est de 0,001 ppmv lors de tests dans une chambre de 30 m<sup>3</sup>. Le produit est conforme avec la concentration maximale permise d'ozone de 0,05 parties par million par volume (ppmv) dans une période de 24 heures. Les lignes directrices de Santé Canada 2010 recommandent que la limite d'exposition maximale, selon un temps moyen de 8 heures, soit de 0,020 ppmv ou moins lors de tests dans une salle hermétique et contrôlée d'environ 30 m<sup>3</sup>.



**AVERTISSEMENT** : Ce produit peut vous exposer à des produits chimiques, y compris du plomb et des composés de plomb, qui sont reconnus par l'État de la Californie comme causant le cancer et des malformations congénitales, ou ayant des effets nocifs sur la reproduction. Pour de plus amples informations visitez le site [www.P65Warnings.ca.gov](http://www.P65Warnings.ca.gov).



**L'AMPOULE CONTIENT DU MERCURE**



**Veillez respecter les exigences en matière de déversement, d'élimination et de nettoyage. En cas de bris, suivez les consignes fournies par les sources ci-dessous pour le nettoyage.**

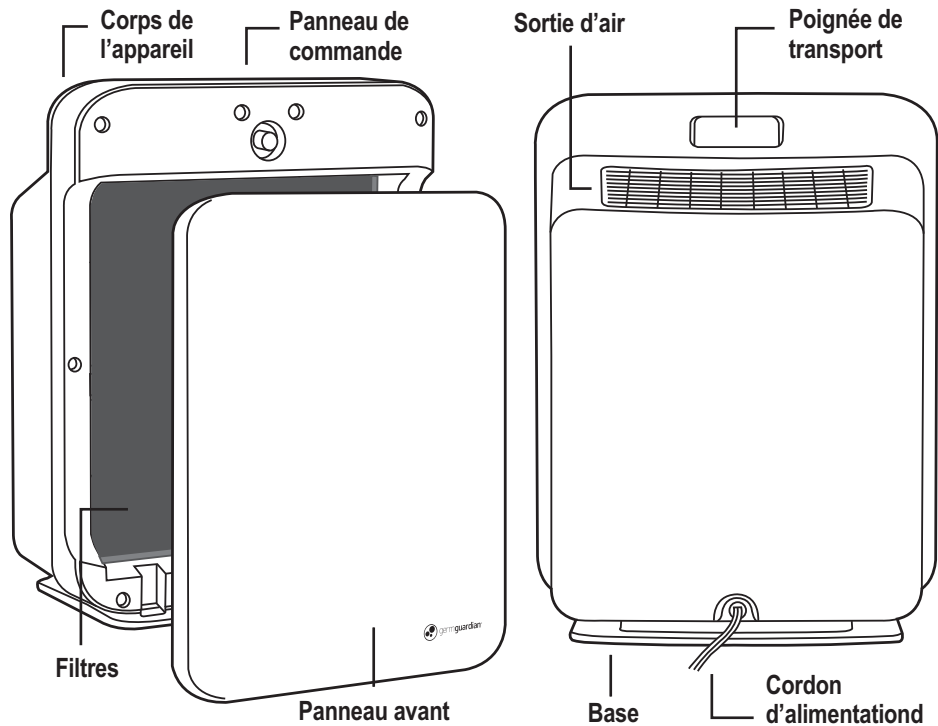
**[www.epa.gov/cfclcleanup](http://www.epa.gov/cfclcleanup) 1-866-284-4010**



Une étoile ENERGY STAR a été attribuée à cet article pour avoir satisfait les normes d'efficacité énergétique strictes établies par l'agence américaine de protection de l'environnement (EPA). L'EPA ne corrobore aucune des déclarations du fabricant affirmant que l'utilisation de ce produit assainit l'air intérieur.

L'efficacité énergétique de ce modèle répondant aux exigences qui lui permettent de porter le symbole ENERGY STAR est mesurée selon le rapport entre le débit d'air purifié (Clean Air Delivery Rate ou CADR) pour la poussière du modèle et l'énergie électrique qu'il consomme, ou CADR/watts.

## SPÉCIFICATIONS DU PRODUIT ET PIÈCES



NUMÉRO DE MODÈLE : AC5900

DIMENSIONS : longueur: 24,51 cm (9,65 po); largeur: 40,51 cm (15,95 po); hauteur: 53,00 cm (20,87 po)

POIDS : 5,9 kg (13 lb)

## PIÈCES DE RECHANGE



FILTRE:  
Filtre **J**  
Numéro de modèle FLT5900



TUBE UVC (5W):  
N° de modèle LB4000



**AutoShip & Save**

Filter Replacement Program™

Découvrez notre programme en ligne de  
rappel de remplacement des filtres.

[www.guardiantechnologies.com](http://www.guardiantechnologies.com)

**IMPORTANT:** Pour maintenir la garantie et la performance du purificateur d'air, n'utilisez  
que des pièces de rechange AUTHENTIQUES de Guardian Technologies.

## SYSTÈME DE PURIFICATION D'AIR

Améliorez la qualité de l'air intérieur avec ce nouveau système de purification d'air Germ Guardian®. Les multiples niveaux de purification incluent l'action conjointe du filtre True HEPA pour retenir les allergènes et du filtre à charbon pour éliminer les odeurs. La technologie des rayons UV-C élimine les germes.

### Grille de préfiltre/Filtre à charbon actif

Aide à maximiser la performance de l'appareil et prolonge la durée de vie du filtre en captant les plus grosses particules de poussière et d'allergènes. Retient et contrôle les odeurs ménagères et les composés organiques volatils (COV) nocifs dans le domicile.

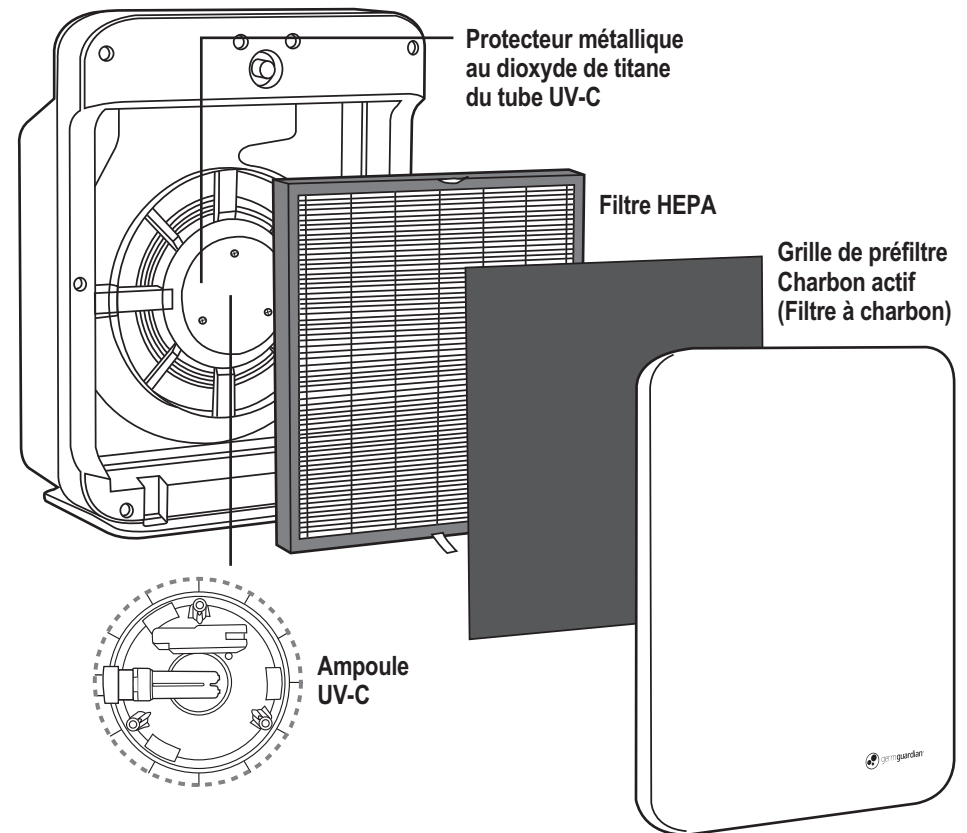
### Filtre True HEPA

Retient 99,97 % des particules de poussière et d'allergènes d'une taille supérieure ou égale à 0,3 micron.

### Rayons UV-C

La technologie des rayons UV-C fonctionne avec du dioxyde de titane (TiO<sub>2</sub>) pour améliorer l'élimination des germes en suspension dans l'air. Le dioxyde de titane est activé par les rayons UV-C pour décomposer les molécules d'odeurs causées par la fumée, la cuisine et les animaux domestiques.

## NIVEAUX DE LA PURIFICATION DE L'AIR





## INSTRUCTIONS D'UTILISATION

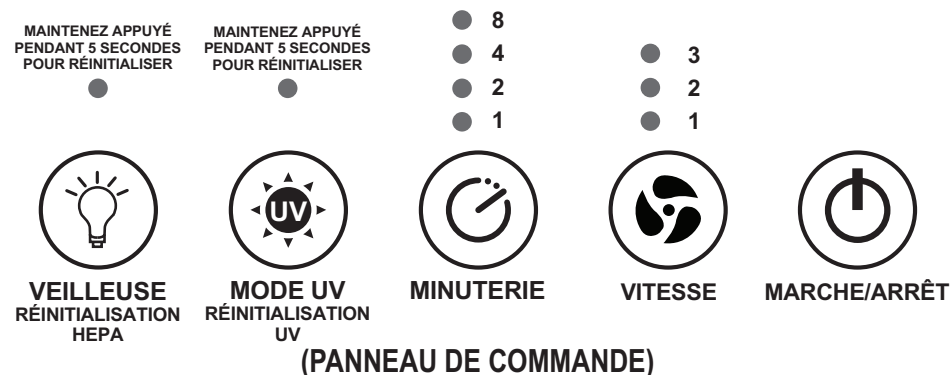
**Remarque :** Les filtres et le panneau avant doivent être installés correctement pour activer l'appareil.

### AVANT L'UTILISATION DU SYSTÈME DE PURIFICATION D'AIR :

- Choisir une surface dure, plane et de niveau pour y poser l'appareil.
  - Pour un bon écoulement de l'air, placer l'appareil à au moins 30 cm (1 pied) de tout mur et de tout meuble.
  - Vérifier qu'aucune des grilles de protection n'est obstruée.
- Brancher le cordon d'alimentation dans une prise de courant standard de 120 V c.a.
- Toujours utiliser la poignée de transport de l'appareil pour le déplacer.

### FONCTIONNEMENT DU SYSTÈME DE PURIFICATION D'AIR :

- Mettre l'appareil en MARCHÉ (ON). Les voyants du tableau de commande s'allument.  
**Remarque :** Les voyants du tableau de commande s'allument pour correspondre aux fonctions sélectionnées.
- Sélectionnez la vitesse du ventilateur, mode 1 à 3.  
**Vitesse basse**  
**Vitesse moyenne**  
**Vitesse élevée**
- Minuterie  
Pour faire fonctionner le système de purification d'air pendant un nombre donné d'heures, sélectionnez 1, 2, 4 ou 8 heures en appuyant sur le bouton.
- Mode UV : Permet d'allumer ou d'éteindre l'éclairage UV.  
Réinitialisation UV : L'éclairage du mode UV s'allumera en rouge lorsqu'il est temps de remplacer l'ampoule UV.  
Remplacez l'ampoule selon les instructions (E9). Appuyez sur le bouton UV pendant 5 secondes pour réinitialiser le voyant lumineux du mode UV.
- Veilleuse : Tournez l'anneau de la veilleuse situé à l'avant du purificateur pour l'allumer ou l'éteindre.  
Réinitialisation Hepa : Le voyant lumineux de la veilleuse s'allumera en rouge lorsqu'il est temps de remplacer le filtre HEPA. Remplacez le filtre selon les instructions (E8). Appuyez sur le bouton de la veilleuse pendant 5 secondes pour réinitialiser le voyant du filtre HEPA.



## INSTRUCTIONS D'UTILISATION

### RÉINITIALISATION DU SYSTÈME DE PURIFICATION D'AIR :

Le purificateur d'air est équipé d'un circuit de protection du moteur. Lorsque cette protection est activée, le voyant d'avertissement de surcharge s'allume et coupe l'alimentation. Un avertissement sonore "ding" sonne pendant 60 secondes. Pour redémarrer l'appareil, débranchez l'appareil pendant 10 minutes, puis rallumez-le et allumez-le pour un fonctionnement normal.

**Remarque :** Si l'appareil continue à se désactiver, une condition anormale pourrait encore être présente et l'appareil pourrait avoir besoin d'une vérification. Appeler le Service à la clientèle.

## NETTOYAGE ET ENTRETIEN

### NETTOYAGE

Toujours débrancher l'appareil avant de le nettoyer.

Ne jamais immerger l'appareil dans l'eau ou dans un autre liquide.

Ne jamais utiliser d'agents agressifs ou inflammables comme de l'eau de Javel ou de l'alcool pour nettoyer une quelconque partie de l'appareil.

### BOÎTIER DE L'APPAREIL

Regularly clean the inside and outside of the body to prevent dust from collecting on the inside and outside.

Nettoyer régulièrement l'intérieur et l'extérieur du boîtier de l'appareil pour y éviter l'accumulation de poussière.

- Essuyer la poussière du boîtier de l'appareil en utilisant un chiffon doux.
- Nettoyer l'entrée et la sortie d'air en utilisant un chiffon sec et doux.

### GRILLE DE PRÉFILTRE

Le préfiltre est conçu pour collecter les grosses particules de poussière et de débris; il doit être nettoyé chaque mois ou plus fréquemment selon l'usage de l'appareil. Enlever et nettoyer régulièrement la grille avec l'accessoire de brosse d'un aspirateur pour enlever la peluche et la saleté afin d'aider à prolonger la durée de vie des filtres. (Voir la section sur le remplacement de filtre pour trouver et enlever le préfiltre.)

**Remarque :** N'enfoncez PAS d'objets, ni vos doigts, à l'intérieur de l'appareil.

**Avertissement :** N'utilisez PAS d'essence, de benzine, de diluant ou de nettoyeurs puissants (entre autres) pour nettoyer la surface intérieure ou l'extérieur de l'appareil, car cela risque de l'endommager. N'utilisez JAMAIS d'alcool ni d'autres dissolvants.

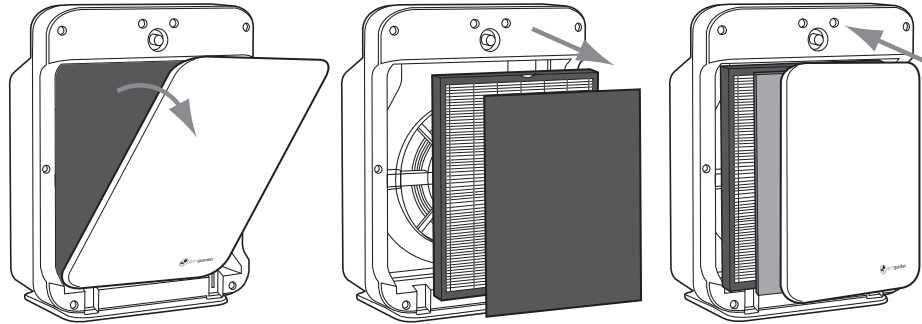
## REPLACEMENT DU FILTRE

Le voyant « Replace filter» (remplacer le filtre) s'allumera en rouge lorsqu'il est temps de remplacer les filtres HEPA et au charbon. Selon l'usage et les conditions de l'environnement, les filtres durent environ six mois et doivent être remplacés en même temps. La couleur du filtre HEPA passe du blanc au gris lorsqu'il est sale et que le filtre doit être remplacé. Il est important d'entretenir et de changer les filtres pour maintenir la performance du purificateur d'air.

**IMPORTANT** : NE lavez PAS et NE réutilisez PAS le filtre. Veuillez communiquer avec le service à la clientèle pour acheter un filtre de rechange.

### ENLÈVEMENT ET REMPLACEMENT DU FILTRE

1. Arrêter et débrancher l'appareil.



2. Tirer doucement sur la partie supérieure du panneau avant et soulever de la base.

3. Enlever les filtres en tirant sur les onglets inférieurs et latéraux.

4. Insérer les nouveaux filtres dans l'appareil – suivre le sens des flèches pour une installation correcte.

5. Remettre en place le panneau avant : Insérer d'abord les crochets inférieurs du panneau, puis le fermer. Vérifier que la fermeture magnétique est sécurisée.

**Remarque** : Les filtres et le panneau avant doivent être installés correctement pour activer l'appareil.

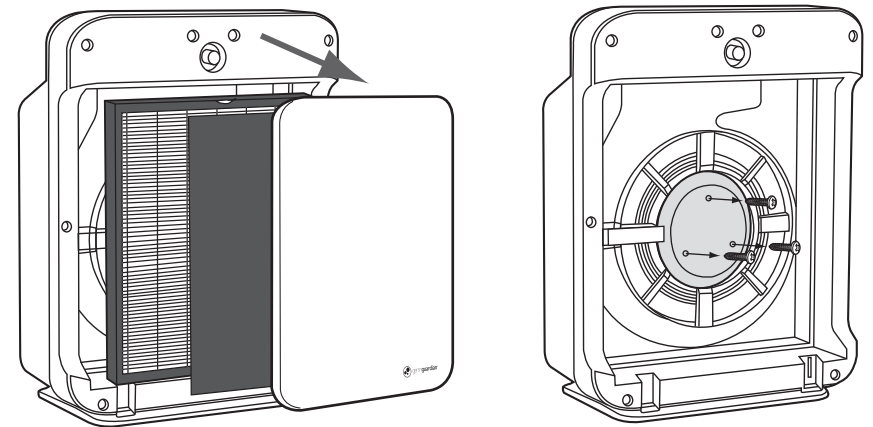
6. Réinitialisez le voyant lumineux du filtre en maintenant appuyé le bouton de réinitialisation de la veilleuse/HePa pendant 5 secondes.



**VEILLEUSE  
RÉINITIALISATION HEPA**

## INSTALLER ET RETIRER LE TUBE UVC

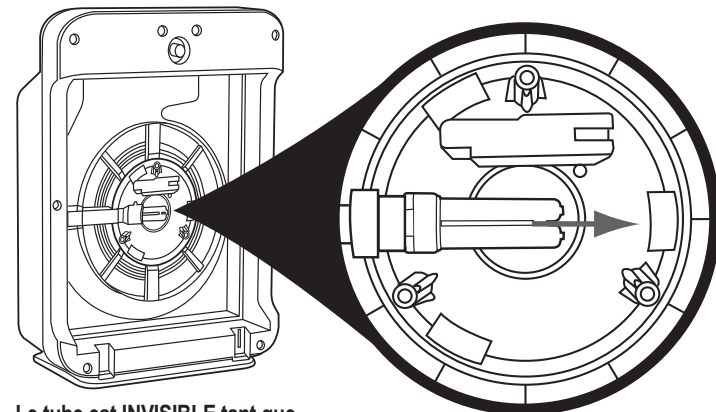
**Voyant de remplacement de l'ampoule UV** : Le voyant UV situé sur l'écran s'allumera en rouge lorsqu'il est temps de remplacer l'ampoule UV.



1. Tirer et enlever le couvercle avant et tous les filtres.

2. Après avoir retiré le filtre, utilisez un tournevis cruciforme pour retirer les trois vis du protecteur de l'ampoule UV-C et le détacher.

3. Pour retirer l'ampoule UV-C, saisissez-la avec précaution en utilisant un chiffon ou un mouchoir en papier propre et tirez dessus horizontalement pour la sortir de l'appareil.



**Le tube est INVISIBLE tant que le PROTECTEUR MÉTALLIQUE DU TUBE UVC n'est pas retiré.**

**SORTEZ L'AMPOULE UV-C DE L'APPAREIL EN TIRANT DESSUS HORIZONTALEMENT.**

4. Pour réinstaller l'ampoule UV-C, suivez les instructions de l'étape 3 dans le sens inverse.

5. Remettez en place le protecteur de l'ampoule UV-C en vous assurant d'aligner l'encoche dans le protecteur avec le support. Fixez de nouveau à l'aide des 3 vis.

6. Réinitialisez l'éclairage UV en maintenant appuyé le bouton « UV» pendant 5 secondes.



**MODE UV  
RÉINITIALISATION UV**

**IMPORTANT** : L'ampoule UV-C doit être remplacée tous les 10 à 12 mois, selon l'usage. Veuillez communiquer avec le service à la clientèle pour acheter une ampoule de rechange. **F-9**

# GUÍA DE SOLUCIÓN DE PROBLEMAS

PROBLEMAS	SOLUCIÓN
La unidad se apaga inesperadamente o no funciona.	Verifique que la unidad esté conectada en un tomacorriente que funcione perfectamente. Verifique que los filtros estén instalados correctamente. Verifique si se activó el protector del motor. Desenchufe y vuelva a enchufar la unidad. Verifique que el panel frontal esté asegurado firmemente en su sitio. Llame a Servicio.
La unidad no hace circular aire.	Desconecte la unidad. Verifique los filtros. Limpie el prefiltro si fuera necesario. Reemplace los filtros de carbón y HEPA si fuera necesario.
Incremento del nivel de ruido.	Cerciórese que los filtros estén limpios. Reemplácelos si fuera necesario.
No elimina olores ni humo.	Limpie y reemplace los filtros si tienen un aspecto de mucha suciedad.
El aire liberado tiene aroma u olor.	Verifique si los filtros están muy sucios. Reemplace los filtros. Los purificadores de aire emiten pequeñas trazas de ozono que pueden producir un olor.

## ¿Qué significa CADR?

CADR es la sigla inglesa de "Clean Air Delivery Rate" que significa índice de liberación de aire limpio. Esto indica el volumen del aire filtrado que libera un purificador de aire. Los índices CADR muestran la eficacia del purificador de aire para capturar las partículas finas de cosas como el humo de tabaco y el polen de las plantas de la habitación.

## Promedio de emisión de aire puro

Compare los números CADR entre un purificador de aire y otro. Mire primero el tamaño de la habitación para la cual se recomienda. Enseguida, consulte los números del promedio de emisión de aire puro (CADR). Mientras más elevado sea el número, más rápidamente se filtra el aire.

**Consulte el sitio web para los números CADR modelo individuales.**

## GARANTÍA LIMITADA

Para el consumidor, Guardian Technologies LLC garantiza que este producto se encuentra libre de defectos de materiales o mano de obra a partir de la fecha de compra original. Guarde el recibo de compra original para validar el inicio del período de garantía. La garantía no es válida sin el recibo correspondiente. Si durante el período de garantía se encuentra que el producto es defectuoso, repararemos o reemplazaremos las piezas defectuosas sin ningún costo. Todas las reparaciones cubiertas por la garantía deben ser realizadas por Guardian Technologies LLC. Esta garantía **no cubre las reparaciones no autorizadas**. La garantía no cubre los problemas ocasionados por desgaste inusual, daños que resulten por un accidente o el uso no razonable del producto. Esta garantía sólo cubre el producto si se utiliza con accesorios genuinos de Guardian Technologies. Esta garantía cubre el producto que se adquirió con un distribuidor autorizado. Esta garantía le otorga derechos legales específicos y usted pudiera tener otros derechos adicionales (los cuales varían en cada estado en los EE. UU.)

**Puede completar el registro de la garantía en línea en [www.guardiantechnologies.com](http://www.guardiantechnologies.com).** Consideramos que el proceso de registro es importante para garantizar el servicio superior a nuestros clientes; sin embargo, el envío del comprobante de registro es opcional y no afecta sus derechos para utilizar la garantía de acuerdo a las condiciones estipuladas anteriormente. Para enviar el producto cubierto por la garantía, el aparato completo debe enviarse con porte pagado por anticipado a Guardian Technologies LLC. Incluya toda la información, incluso: la descripción del problema, el número de modelo del producto, la fecha de compra, una copia del recibo de compra original junto con su nombre dirección y número de teléfono (puede incluir su dirección de correo electrónico de manera opcional.) Dirija las devoluciones a la atención de: Departamento de servicio al cliente, a la dirección que se indica a continuación. Si tiene preguntas o comentarios llame sin costo al número de teléfono que aparece abajo.

**Se pueden obtener copias adicionales accediéndolas e imprimiéndolas directamente en nuestro sitio web o llamando al departamento de servicio al cliente.**

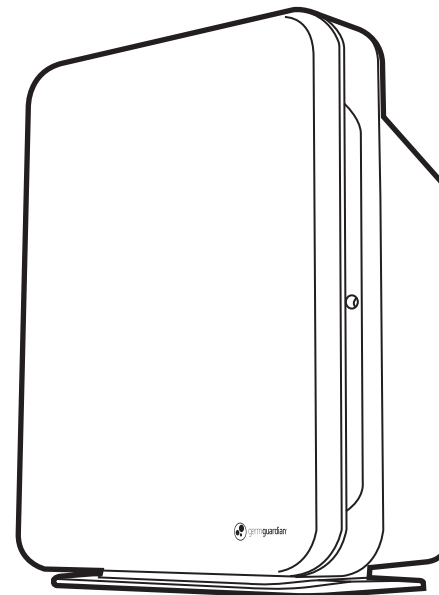
### Guardian Technologies LLC

26251 Bluestone Blvd. | Euclid, Ohio 44132  
1.866.603.5900 | [www.guardiantechnologies.com](http://www.guardiantechnologies.com)

©2017 Guardian Technologies LLC



# INSTRUCCIONES DE USO Y CUIDADO



## Sistema de limpieza de aire 3 en 1 con reducción de alérgenos y olores

NÚMERO DE MODELO: AC5900

Garantía limitada por 3 años

Departamento Deservicio

1.866.603.5900

[www.guardiantechnologies.com](http://www.guardiantechnologies.com)

Fecha de compra mes \_\_\_\_\_ año \_\_\_\_\_

Inglés E - 1 Francés F - 1 Español S - 1

**Nota: No anule la garantía, utilice únicamente piezas de repuesto GENUINAS de Guardian Technologies.**

REV0617

# LEA Y GUARDE ESTAS INSTRUCCIONES ADVERTENCIAS

## El no cumplir las advertencias que se enumeran a continuación puede provocar un choque eléctrico o lesiones severas.



Debe usarse este producto sólo de acuerdo a las especificaciones descritas en este manual. Usarlo de una manera diferente a lo indicado puede ocasionar lesiones severas.

Al usar un electrodoméstico, debe seguir siempre ciertas precauciones básicas para disminuir el riesgo de incendio, choque eléctrico y lesiones personales, las cuales incluyen todo lo siguiente:

- Antes de usar el electrodoméstico, lea todas las instrucciones.
- **IMPORTANTE** - Como una característica adicional, esta luminara portátil tiene una clavija polarizada (una hoja es más ancha que la otra) con el fin de reducir el riesgo de choque eléctrico. Esta clavija encajará en un tomacorriente polarizado de una manera solamente. Si la clavija no encaja bien en el tomacorriente, invierta la clavija. Si aún así no encaja, póngase en contacto con un electricista calificados. Nunca use una extensión eléctrica a menos que la clavija pueda insertarse por completo. No modifique la clavija.
- Para evitar un incendio o choque eléctrico, conecte directamente el aparato a un tomacorriente de 120 V de corriente CA.
- Mantenga el cordón eléctrico alejado de las áreas de gran tránsito peatonal. Para evitar el riesgo de incendio, **NUNCA** ponga el cordón eléctrico debajo de las alfombras, ni cerca de rejillas de calefacción, radiadores, estufas ni calentadores.
- Para evitar los riesgos eléctricos, **NO** sumerja este aparato en agua o en otros líquidos. No use este aparato cerca del agua.
- Cuando se utilice un aparato en un área donde hay niños o mascotas presentes, debe vigilarlos en todo momento.
- Desconecte siempre el purificador de aire antes de moverlo, abrir la rejilla, cambiar los filtros, antes de limpiarlo o cuando no lo use. Asegúrese de desconectarlo tomándolo del enchufe, no del cordón eléctrico.
- **NUNCA** deje caer ni inserte un objeto en cualquier abertura.
- No pase el cordón eléctrico por debajo de la alfombra.
- No cubra el cordón eléctrico con tapetes, plásticos protectores para alfombrado o cubiertas similares.
- No pase el cordón eléctrico por debajo de los muebles o aparatos electrodomésticos. Mantenga el cordón eléctrico alejado de las áreas de gran tránsito peatonal y de los lugares en que pueda provocar tropezones.
- **NO** utilice ningún aparato cuyo cordón eléctrico o clavija estén dañados, si el motor del ventilador no gira, si el aparato no funciona correctamente o si se ha caído o dañado de alguna forma. Si necesita ayuda, llame al departamento de servicio al cliente al 1.866.603.5900.
- Use este aparato únicamente para el uso doméstico previsto, como se describe en este manual. Cualquier otro tipo de uso no recomendado por el fabricante podría provocar un incendio, choque eléctrico o lesiones personales.
- No se debe utilizar en exteriores.
- **NUNCA** bloquee las aberturas para el aire, las rejillas/salidas del aparato, ni coloque el producto sobre una superficie suave, como una cama o sofá, ya que esto podría provocar que el aparato se vuelque, se bloquee la abertura de entrada o la salida del aire.
- No intente reparar o ajustar un funcionamiento eléctrico o mecánico incorrecto de esta unidad. El hacerlo anulará la garantía. El interior del aparato no contiene piezas que requieren mantenimiento. Todas las labores de servicio y mantenimiento deben ser realizadas sólo por personal calificado.

- **NO** coloque ningún objeto en la parte superior de la unidad.
- Los niños no pueden percatarse de los riesgos asociados con el uso de aparatos electrodomésticos. Por este motivo siempre debe vigilar a los niños cuando se encuentren cerca del purificador de aire. (una hoja es más ancha que la otra) con el fin de reducir el riesgo de choque eléctrico. Esta clavija
- **ADVERTENCIA:** Para disminuir el riesgo de incendio o choque eléctrico, no utilice este ventilador con ningún dispositivo de control de velocidad de estado sólido.
- **ADVERTENCIA:** Ver directamente la luz producida por la lámpara de este aparato podría ocasionar daños en la piel o en los ojos. Siempre desconecte la corriente antes de reemplazar o darle mantenimiento a la lámpara. Reemplace la lámpara con la lámpara Modelo No. LB4000, fabricado por Guardian Technologies.
- Desconecte siempre la unidad antes de limpiarla o darle mantenimiento.
- **PRECAUCIÓN:** **NO** utilice gasolina, benceno, solvente, limpiadores agresivos, etc. para limpiar el interior y el exterior de la unidad, ya que podrían dañar el aparato. **NUNCA** utilice alcohol ni otro tipo de solventes.

El valor límite de umbral (TWA) de ozono durante 8 horas de este producto es 0.001 ppmv cuando se prueba en una habitación de 30 m<sup>3</sup>. El producto cumple con la concentración máxima permisible de ozono, de 0.050 partes por millón por volumen (ppmv) en un periodo de 24 horas. Los Lineamientos de salud de Canadá de 2010 recomiendan que el límite máximo de exposición, basado en un tiempo promedio de 8 horas, es de 0.020 ppmv o menor, cuando se ha probado en una habitación confinada y controlada de aproximadamente 30 m<sup>3</sup>.



**ADVERTENCIA:** Este producto puede exponerlo a químicos que incluyen plomo, o compuestos de plomo, que son conocidos en el estado de California como causantes de cáncer, defectos de nacimiento o daños reproductivos. Para mayor información, visite [www.P65Warnings.ca.gov](http://www.P65Warnings.ca.gov).



**LA BOMBILLA CONTIENE MERCURIO**



**Manipule según las exigencias sobre derrames, eliminación y limpieza de derrames. En caso se rompa, siga el método de limpieza proporcionado por los siguientes contactos.**

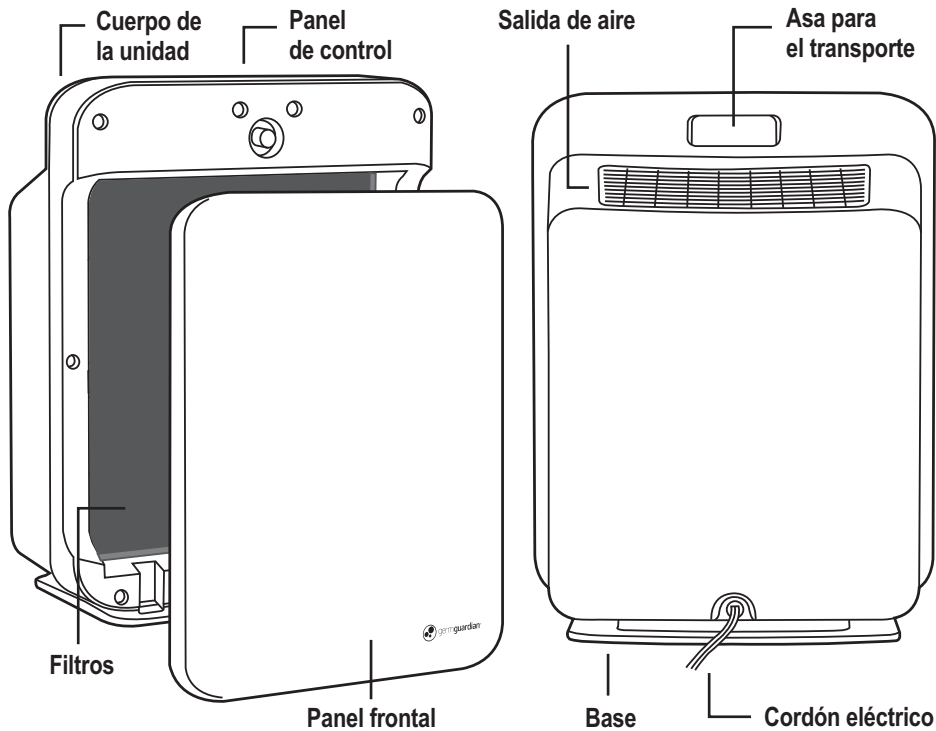
**[www.epa.gov/cflcleanup](http://www.epa.gov/cflcleanup) 1-866-284-4010**



Este producto obtuvo la certificación ENERGY STAR mediante el cumplimiento de estrictas normas de ahorro de energía establecidas por la Agencia de Protección Ambiental de los Estados Unidos (US EPA, por su sigla en inglés). La EPA de los Estados Unidos no respalda las afirmaciones hechas por cualquier fabricante sobre la obtención de una calidad de aire en interiores más saludable debido al uso de este producto.

La eficiencia energética de este modelo con la certificación ENERGY STAR se mide en base a la proporción del promedio de emisión de aire puro (CADR, por su sigla en inglés) del modelo para el polvo y la energía eléctrica que consume, o CADR/vatio.

## ESPECIFICACIONES Y PARTES DEL PRODUCTO



NÚMERO DE MODELO: AC5900

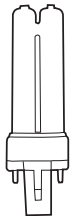
DIMENSIONES: 9.65" de largo x 15.95" de ancho x 20.87" de alto

PESO: 907 gramos (13 libras)

## PARTES DE REPUESTO



FILTRO:  
Filtro **J**  
Modelo No. FLT5900



FOCO UV-C (5W):  
Modelo No. LB4000



Check out our  
**AutoShip & Save**

Filter Replacement Program™

Pruebe nuestro recordatorio de cambio de filtro y el programa de filtros de repuesto en línea.

[www.guardiantechnologies.com](http://www.guardiantechnologies.com)

**IMPORTANTE:** Para mantener la garantía y el rendimiento del purificador de aire, utilice únicamente piezas de repuesto GENUINAS de Guardian Technologies.

S-4 Para realizar la compra, comuníquese con el departamento de Servicio al cliente.

## SISTEMA PARA LA LIMPIEZA DEL AIRE

Mejore la calidad del aire dentro de su hogar con su nuevo Sistema para la Limpieza del Aire Germ Guardian®. Los diversos niveles de purificación incluyen un filtro combinado HEPA genuino que absorbe los alérgenos y un filtro de carbón para eliminar los olores. La tecnología de luz UV-C mejora la eliminación de los gérmenes.

### Pantalla de prefiltro/Filtro de carbón activado

Ayuda a optimizar el rendimiento de la unidad y extiende la vida útil del filtro, captura las partículas grandes de polvo y alérgenos. Atrapa y controla los olores domésticos y los COV dañinos del hogar.

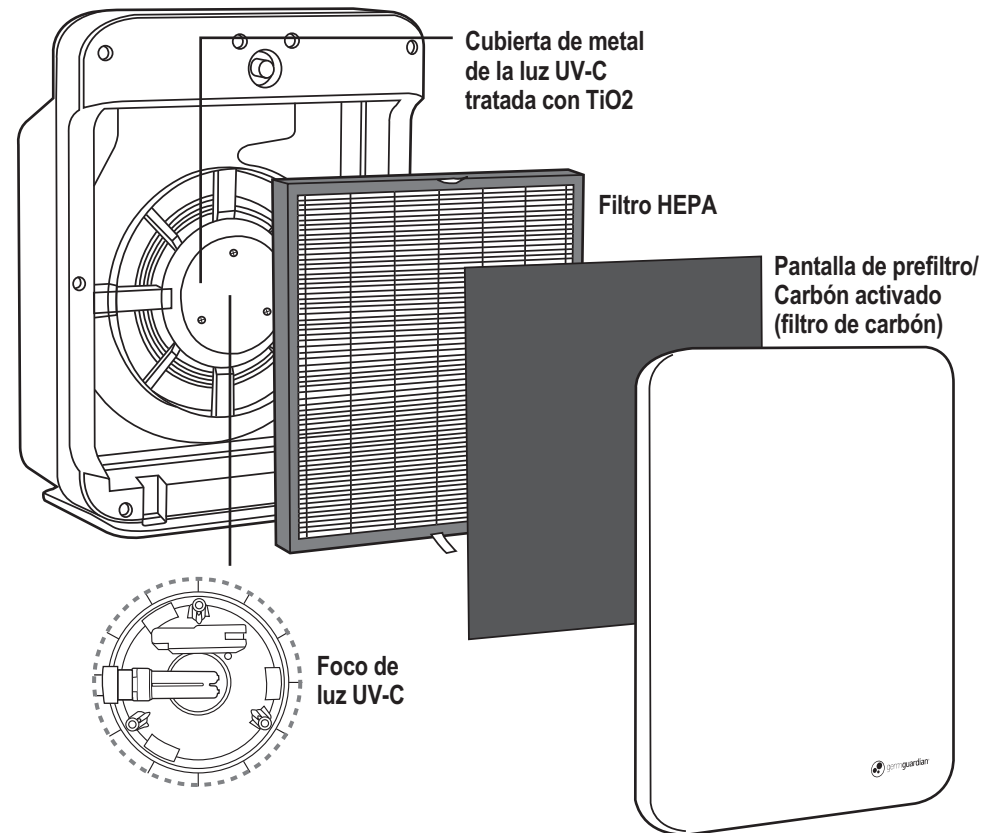
### Filtro HEPA genuino

Absorbe el 99.97% del polvo y alérgenos, incluso los más pequeños de un tamaño de hasta de 0.3 micrones.

### Luz UV-C

La tecnología de la luz UV-C trabaja con dióxido de titanio (TiO<sub>2</sub>) para mejorar la eliminación de los gérmenes suspendidos en el aire. La luz UV-C activa el dióxido de titanio para descomponer las moléculas del olor que quedan al fumar, al cocinar y los olores de las mascotas.

## NIVELES DE PURIFICACIÓN DEL AIRE





## INSTRUCCIONES DE FUNCIONAMIENTO

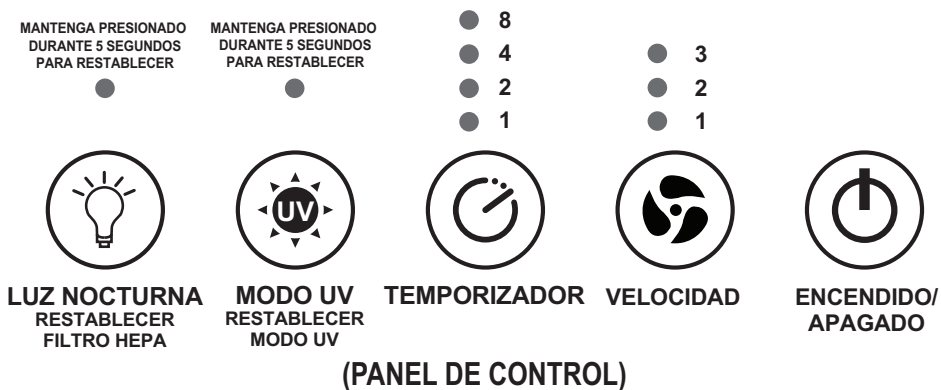
**Nota:** Es necesario instalar apropiadamente el filtro y el panel frontal para que la unidad se encienda.

### ANTES DE PONER EN FUNCIONAMIENTO EL PURIFICADOR DE AIRE

1. Elija una superficie firme, plana y nivelada para colocar el purificador de aire.
  - Para que el flujo de aire sea adecuado, ubique el aparato al menos a una distancia de 30.5 cm (1 pie) de la pared o muebles.
  - Verifique que ninguna de las rejillas esté bloqueada.
2. Conecte el cable eléctrico a un tomacorriente de 120 V de corriente CA.
3. Cuando mueva el purificador de aire, siempre levántelo de la manija para transporte.

### FUNCIONAMIENTO DEL PURIFICADOR DE AIRE

1. Encienda la unidad. Se prenderán las luces de encendido del panel de control.  
**Nota:** Se prenderán las luces del panel de control correspondientes de acuerdo con las funciones seleccionadas.
2. Seleccione la velocidad del ventilador, Modo 1 a 3  
**Velocidad baja**  
**Velocidad media**  
**Velocidad alta**
3. Temporizador  
Si prefiere dejar funcionando el purificador durante un número de horas específico, presione el botón para elegir 1, 2, 4 u 8 horas.
4. Modo UV: Enciende y apaga la luz UV.  
Restablecer modo UV: La luz de modo UV se encenderá de color rojo cuando sea el momento de reemplazar el foco UV. Reemplace el foco de acuerdo con las instrucciones (E9). Mantenga presionado el botón Modo UV durante 5 segundos para restablecer la luz del indicador UV.
5. Luz nocturna: Enciende o apaga el anillo de la luz nocturna en el frente del purificador.  
Restablecer filtro Hepa: La luz del indicador de luz nocturna se encenderá de color rojo cuando sea el momento de reemplazar el filtro HEPA. Reemplace el filtro de acuerdo con las instrucciones (E8).  
Mantenga presionado el botón Luz nocturna durante 5 segundos para restablecer la luz del filtro HEPA.



## INSTRUCCIONES DE FUNCIONAMIENTO

### CÓMO RESTABLECER EL PURIFICADOR DE AIRE

El purificador de aire está equipado con un circuito de protección del motor. Si se activa, se iniciará el indicador de advertencia de sobre carga y se cortará la energía. Se escuchará un aviso audible durante 60 segundos. Para reiniciar la unidad, desenchufe la unidad durante 10 minutos, luego vuelva a enchufar y encender para un funcionamiento normal.

**Nota:** Si la unidad sigue apagándose, todavía puede haber una condición anormal y puede ser necesario reparar la unidad. Llame al departamento de servicio al cliente.

## LIMPIEZA Y MANTENIMIENTO

### LIMPIEZA

Siempre desenchufe la unidad antes de limpiarla.

Nunca sumerja la unidad en agua o en otro líquido.

Nunca use agentes limpiadores agresivos o inflamables como lejía o alcohol para limpiar ninguna parte de la unidad.

### CUERPO DE LA UNIDAD

Limpie regularmente el interior y el exterior del cuerpo para evitar que se acumule polvo en el interior y en el exterior.

1. Para limpiar el polvo pase un paño suave y seco por el cuerpo de la unidad.
2. Limpie la entrada y la salida de aire con un paño suave y seco.

### PANTALLA DE PREFILTRO

El prefiltro fue diseñado para capturar las partículas grandes de polvo y residuos. Se debe limpiar en forma mensual o con más frecuencia según el uso. Retire y limpie regularmente con el cepillo de la aspiradora. Esto quitará las pelusas y el polvo y ayudará a mantener la vida útil de los filtros. (Vea el reemplazo del filtro para ubicar y retirar el prefiltro).

**NOTA:** NO introduzca ningún objeto extraño ni sus dedos de la unidad.

**PRECAUCION:** NO utilice gasolina, bencina, solvente, limpiadores agresivos, etc. para limpiar el interior y el exterior de la unidad, ya que podrían dañar el aparato. NUNCA utilice alcohol ni otro tipo de solventes.

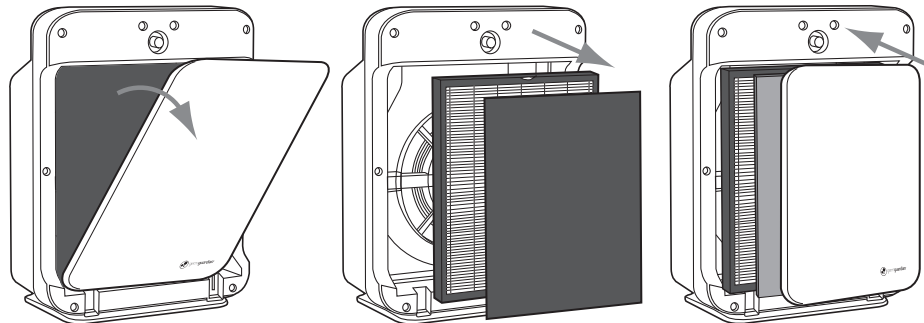
## REEMPLAZO DEL FILTRO

El indicador de "Reemplace el filtro" se encenderá de color rojo cuando sea momento de reemplazar los dos filtros, el HEPA y el de carbón. De acuerdo con el uso y las condiciones medioambientales, los filtros durarán aproximadamente 6 meses y se deberían reemplazar en el mismo momento. El filtro HEPA es blanco y se pondrá de color gris cuando esté sucio y haga falta reemplazarlo. Es importante mantener y cambiar los filtros para seguir optimizando el rendimiento del purificador de aire.

**IMPORTANTE:** NO lave ni reutilice el filtro. Comuníquese con Servicio al cliente para comprar un filtro de repuesto.

### CÓMO RETIRAR Y REEMPLAZAR EL FILTRO

1. Apagar y desenchufar la unidad.



2. Tirar suavemente de la parte de arriba del panel frontal y levantar desde la base.

3. Quite los filtros tirando desde las pestañas superior e inferior.

4. Insertar los filtros nuevos en la unidad, consultar las flechas en los filtros para saber la dirección de instalación correcta.

5. Colocar nuevamente el panel frontal: Insertar primero los ganchos en la parte inferior del panel frontal y después cerrar el panel frontal. Asegurarse de que el cierre magnético esté bien asegurado.

**Nota:** Es necesario instalar apropiadamente el filtro y el panel frontal para que la unidad se encienda.

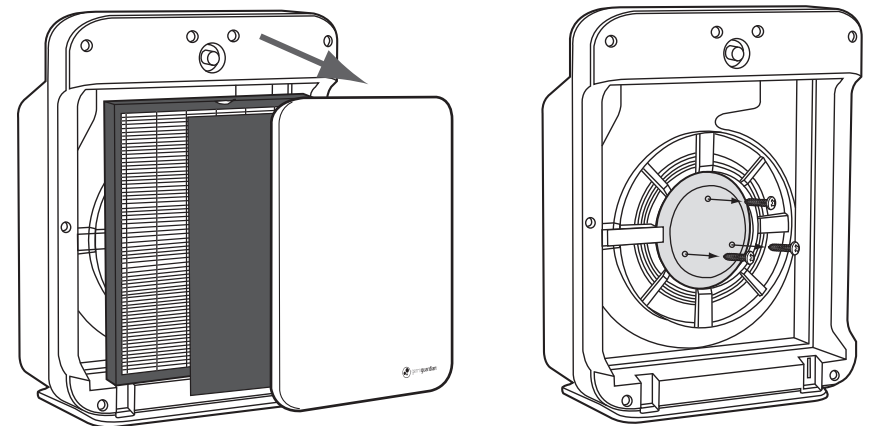
6. Restablezca la luz del indicador del filtro al mantener presionado el botón Luz nocturna/Restablecer filtro Hepa.



**LUZ NOCTURNA**  
RESTABLECER  
FILTRO HEPA

## INSTALACIÓN Y RETIRO EL FOCO UV-C

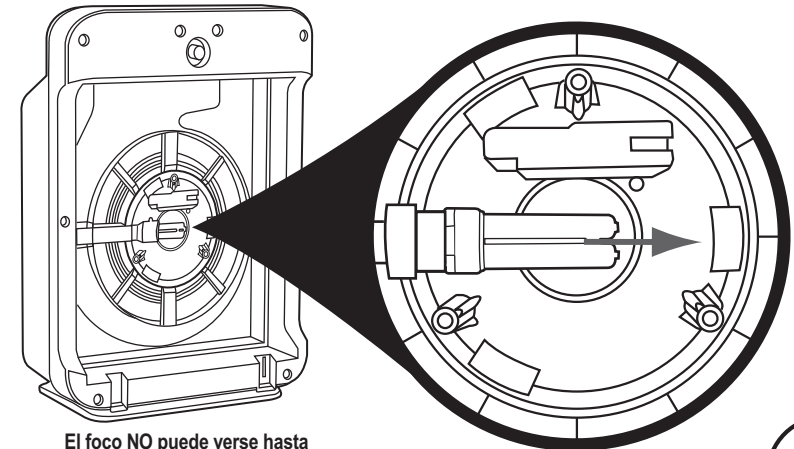
**Indicador de repuesto del foco UV:** La luz de modo UV en la pantalla se encenderá de color rojo cuando sea el momento de reemplazar el foco UV.



1. Tirar y retirar la cubierta frontal y todos los filtros.

2. Después de quitar el filtro, utilice un destornillador Phillips para retirar 3 tornillos y quitar la cubierta de metal redondeada de la luz UV-C.

3. El foco UV-C se retira tomándolo cuidadosamente con un paño limpio o pañuelo desechable y tirando del mismo para sacarlo de la unidad.



El foco NO puede verse hasta que se retira la cubierta de metal de la luz UV-C.

SAQUE EL FOCO UV-C DE LA UNIDAD

4. El foco UV-C se vuelve a instalar invirtiendo el orden del proceso en el Paso 3.

5. Reemplace la cubierta de UV-C asegurándose de alinear la muesca en la cubierta con el soporte. Vuelva a colocar los 3 tornillos.

6. Restablezca la luz UV manteniendo presionado el botón "UV" durante 5 segundos.

**IMPORTANTE:** El foco UV-C debe reemplazarse cada 10 o 12 meses, según el uso. Comuníquese con Servicio al cliente para comprar un foco de repuesto.



**MODO UV**  
RESTABLECER  
MODO UV