

Cuisinart®

INSTRUCTION AND
RECIPE BOOKLET



Pro Custom 11™ Food Processor

DLC-8S Series

For your safety and continued enjoyment of this product, always read the instruction book carefully before using.

IMPORTANT UNPACKING INSTRUCTIONS

This package contains a Cuisinart® Food Processor, and these standard parts for it: metal chopping blade, flat baking cover, 2 slicing discs, shredding disc, detachable stem for discs and spatula, and instruction/recipe book.

CAUTION: THE CUTTING TOOLS HAVE VERY SHARP EDGES.

To avoid injury when unpacking the parts, please follow these instructions:

1. Place the box on a low table or on the floor next to the kitchen counter or table where you plan to keep the food processor. Be sure the box is right-side up.
2. Remove the cardboard panel and the instruction material.
3. Remove the round cardboard insert and the thin slicing disc which is in a plastic bag inside a cardboard insert. **THE BLADES ARE SHARP.**

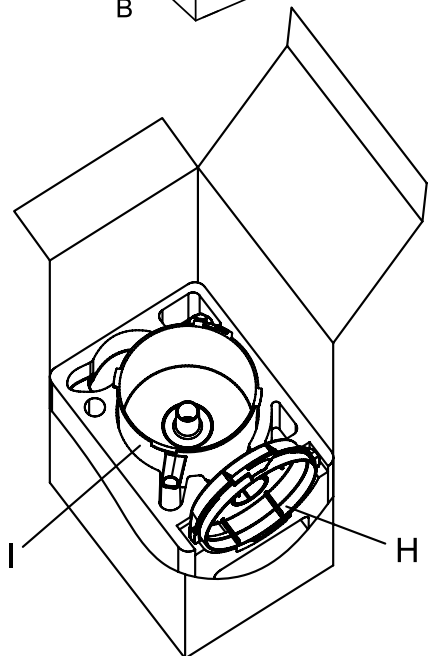
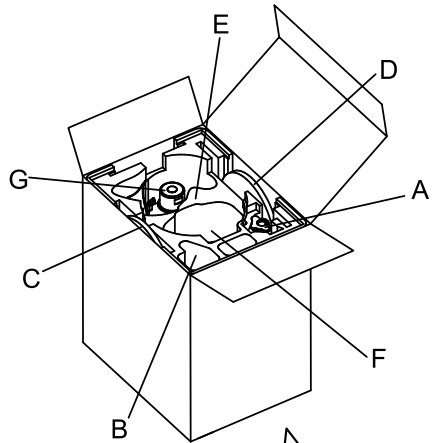
4. You will see a rectangular upper plastic foam block that holds the processor parts, each fitted into a cavity in the foam. The detachable stem (A) and cup (B) for the flat baking cover are in cavities at one short side of the foam block. Remove them first.

The slicing disc (C) is on the long side and shredding disc (D) on the other. Slide them out of their grooves **WITH GREAT CARE; THE BLADES ARE SHARP.** The work bowl cover (E) with pusher assembly (F) fitted on it is in the middle of foam block. Grasp an edge of the work bowl cover and lift them straight up. (The sleeve on the pusher may slide down as you lift them out.) Now only the metal chopping blade (G) remains in the foam block. **CAREFULLY REMOVE THE METAL BLADE BY GRASPING THE CENTER WHITE HUB AND LIFT IT STRAIGHT UP. NEVER TOUCH THE BLADES, WHICH ARE RAZOR SHARP.**

5. Lift out the upper plastic foam block.
6. You will see a rectangular middle plastic foam block that holds flat baking cover (H) and work bowl (I). Lift them straight up, one by one, from the foam block.
7. Lift out the middle plastic foam block.
8. The machine base is at the bottom of the box. Remove the base by grasping the base hous-

- ing with both hands and lifting it straight up.
9. Place the processor on a counter or table and read the instructions thoroughly before using the machine.
10. Save the shipping cartons and plastic foam blocks. You may want to use them in shipping the processor at a later date.

We recommend that you visit our website, www.cuisinart.com, for a fast, efficient way to complete your online registration.



IMPORTANT SAFEGUARDS

Always follow these safety precautions when using this appliance.

Getting Ready

1. Read all instructions.
2. Blades are sharp. Handle them carefully.
3. Unplug from outlet when not in use, before putting on or taking off parts and before cleaning. To unplug, grasp plug and pull from electrical outlet. Never pull cord.
4. Do not use outdoors.
5. Do not let cord hang over edge of table or counter, or touch hot surfaces.
6. Do not operate any appliance with a damaged cord or plug, or after appliance has been dropped or damaged in any way. Return appliance to the nearest authorized service facility for examination, repair or electrical or mechanical adjustment.

Operation

1. Do not use pusher assembly if sleeve becomes detached from pusher.
2. Keep hands as well as spatulas and other utensils away from moving blades or discs while processing food, to prevent possibility of severe personal injury or damage to food processor. A plastic scraper may be used, but must be used only when food processor motor is stopped.
3. Avoid contact with moving parts. Never push food down by hand when slicing or shredding. Always use pusher.
4. **Make sure motor has completely stopped before removing cover. (If machine does not stop within 4 seconds when you turn cover, call 1-800-726-0190 for assistance. Do not use machine.)**
5. Never store any blade or disc on motor shaft. To reduce the risk of injury, no blade or disc should be placed on the shaft except when the bowl is properly locked in place and the processor is in use. Store blades and discs, as you would sharp knives, out of reach of children.
6. Be sure cover is securely locked in place before operating food processor.

7. Do not try to override cover interlock mechanism.

Cleaning

To protect against risk of electrical shock, do not put base in water or other liquids.

General

1. Close supervision is necessary when any appliance is used by or near children or individuals with certain disabilities.
2. Do not operate this, or any other motor-driven appliance, while under the influence of alcohol or other substances that affect your reaction time or perception.
3. The food processor is UL listed for household use. Use it only for food preparation as described in the accompanying recipe and instruction book.
4. The use of attachments not recommended or sold by Cuisinart may cause fire, electrical shock, personal injury or damage to your food processor.
5. To avoid possible malfunction of work bowl switch, never store processor with pusher assembly in locked position.
6. Maximum rating of 5.2 amperes is based on attachment that draws greatest current. Other recommended attachments may draw significantly less current.
7. Do not operate your appliance in an appliance garage or under a wall cabinet. **When storing in an appliance garage, always unplug the unit from the electrical outlet.** Not doing so could create a risk of fire, especially if the appliance touches the walls of the garage or the door touches the unit as it closes.

SAVE THESE INSTRUCTIONS

FOR HOUSEHOLD USE ONLY

NOTICE

This appliance has a polarized plug (one blade is wider than the other). As a safety feature, this plug will fit in a polarized outlet only one way. If the plug does not fit fully in the outlet, reverse the plug. If it still does not fit, contact a qualified electrician. Do not attempt to defeat this safety feature.

Compact Cover

1. Do not use the Compact Cover when mixing hot, thin liquids such as soups or sauces. If you do, it is possible that hot liquid may splash and injure you.
2. DO NOT use any slicing, shredding, julienne, French fry-cut or fine grater discs with the Compact Cover. Doing so may expose the user to injury.
3. Although the Cuisinart® Compact Cover may seem compatible with machines from other manufacturers, using the cover with other machines may be dangerous and may expose the user to injury. We specifically caution you not to use the Compact Cover with other brand machines.

Contents

Important Unpacking Instructions	2
Important Safeguards	3
Parts	5
Processor Guidelines.....	6
Compact Cover.....	8
Techniques for Chopping and Puréeing with Metal Blade.....	8
Techniques for Kneading Yeast Dough	10
Troubleshooting Yeast Dough	11
Problems and Solutions with Typical Sweet Doughs.....	12
Preparing Food for Slicing And Shredding	12
Slicing and Shredding with the Slicing and Shredding Discs.....	13
Removing Sliced or Shredded Foods.....	13
Slicing and Shredding Techniques	13
Slicing Meat and Poultry	14
Slicing and Shredding Cheese.....	14
If You Have a Problem	14
Cleaning, Storing and Maintenance	15
For Your Safety.....	16
Some Technical Data.....	16
Bowl Capacity.....	18
Recipes.....	18
Warranty.....	33

Parts

Your Cuisinart® Pro Custom 11™ Food Processor is a compact and versatile appliance that chops, minces, shreds, grates, slices, blends, purées, emulsifies, mixes and kneads – all with great efficiency and speed. The large feed tube allows you to slice large fruits and vegetables like potatoes, tomatoes and apples.

The machine includes:

1. Motor base with a vertically projecting shaft and two large control levers
2. Work bowl
3. Cover with a large feed tube
4. Pusher assembly that slides over the feed tube
5. Compact cover with cap for chopping ingredients for baking
6. Sharp metal chopping blade
7. Two serrated slicing discs:
1 medium and 1 thin
8. Shredding disc
9. Detachable stem that fits all discs
10. Plastic spatula
11. BPA free (not shown).
All materials that come in contact with food or liquid are BPA free



PROCESSOR GUIDELINES

The **metal blade** chops raw and cooked fruits, vegetables, meat, fish and cheese to the exact consistency you want – from coarse to fine, even to a purée. You control the texture. It chops nuts, makes nut butters, mayonnaise and sauces, and mixes tender, flaky pastry. The metal blade also mixes cakes, frosting, cookies, quick breads, muffins and biscuits, and kneads yeast dough.

The **standard slicing disc** makes beautiful whole slices. It slices whole fruits and vegetables, cooked meat, semi-frozen raw meat and thin loaves of bread.

The **thin slicing disc** is perfect for slicing cabbage, onions, radishes, mushrooms, celery, potatoes and cucumbers.

The **medium shredding disc** processes most firm and hard cheese into long, attractive shreds. It also shreds vegetables like potatoes, carrots and zucchini, and processes nuts and chocolate to a grated texture.

The **detachable stem** fits all discs, making storage easy in limited space.

The **pusher assembly** has 3 parts.

1. The small removable white pusher fits into the small feed tube. This tube is for narrow food like carrots, for adding liquid, and for continuous feeding of small, hard food like garlic.
2. The large pusher is permanently attached to the sleeve, but moves freely within it – except when the slide lock on the sleeve is locked in place over the large feed tube.
3. The bottom sleeve has two descending tabs. One locks the sleeve to the work bowl (white lock); the other pushes down an activating rod at the back of the bowl, permitting the motor to start.

Try chopping some practice foods before you process food to eat. A zucchini or carrot is a good choice. First cut into 1-inch pieces.

Insert the metal blade and put the pieces in the work bowl. Put on the cover; press the pusher assembly down to lock it into place. Press and release the OFF/PULSE lever two or three times and see what happens. Each time the blade stops, let the pieces drop to the bottom of the bowl before you pulse again. That puts them in the path of the blade each time the motor starts.

Using the pulse/chopping technique, you can get an even chop without danger of over-processing. Check the texture frequently by looking through the cover of the work bowl. If you want a finer chop, press and release the OFF/PULSE lever until you achieve the desired texture. Onions and other food with a high water content will quickly end up as a purée unless examined through the work bowl after each pulse to make sure they are not over-processed.

Try chopping other food, like meat for hamburger or sausage. Then make mayonnaise, pastry or bread, as described in the recipes in this book. To obtain consistent results:

- ▶ Be sure all the pieces you add to the bowl are about the **same size**.
- ▶ Be sure the **amount you process** is no larger than recommended. (See page 18.)

Before you do anything, wait for the blade to stop spinning.

Once it does, remove the cover first. You can remove the cover and pusher assembly in one operation. Hold the pusher assembly with your fingers **away** from the descending tabs and turn it clockwise. Lift it off, and the cover will come with it.

Never try to remove the cover and the work bowl together; this may damage the work bowl.

Always remove the bowl from the base of the machine before removing the blade, as the blade creates a seal to prevent food from leaking. Turn the bowl clockwise to unlock it from the base, and lift it straight up to remove.

To prevent the blade from falling out of the work bowl onto your hand, use one of the three methods described. Be sure your hands are dry. (1) Remove the metal blade before tilting the bowl, using a spatula to scrape off any food. Or (2) insert your finger through the hole in the bottom of the work bowl, gripping the blade from the bottom, and grip the outside of the work bowl with your thumb. Or (3) hold the blade in place with your finger or a spatula while pouring out processed food.

To chop raw fruits and vegetables:

Cut the food into 1-inch pieces. You get a more even chop when all pieces are about the same size. Put no more than the recommended amount of food into the work bowl. (See page 18.) Lock

the cover in place. Press the OFF/PULSE lever at the rate of 1 second on, 1 second off until the food is coarsely chopped. Then hold down the OFF/PULSE lever, letting the machine run continuously until the food is chopped. Check frequently to avoid over-processing. Use the spatula to scrape down any pieces that stick to the sides.

To purée fruit and cooked vegetables:

Cut the food into 1-inch pieces. You get a smoother purée faster when all pieces are about equal in size. Put no more than the recommended amount of food in the work bowl. (See page 18.) Lock the cover in place. Pulse to chop coarsely, then press the ON lever and process continuously until the food is puréed. **(NOTE:** Cooked potatoes are an exception to this procedure. They develop a gluey texture when processed with the metal blade. See the recipe for mashed potatoes at the end of this book.)

► When making soup, you will want to purée vegetables that have cooked in liquid. **Don't add the liquid to the work bowl** – just the cooked vegetables; remove them from soup with a slotted spoon. They will purée faster and smoother without liquid. Then add just enough liquid to make the purée pourable, return it to the soup liquid and stir to combine.

► Occasionally, a piece of food may become wedged between the blade and the work bowl. If this happens, remove the cover, lift the blade out carefully and remove the wedged piece. Empty the bowl, reinsert the blade and lock the cover into place, first removing the small pusher. Press the ON lever and drop the food pieces through the small feed tube while the machine is running.

After adding a cupful this way, add the remaining food to the bowl and process in the usual way.

To chop hard food like garlic, hard cheese:

Small foods like garlic can be dropped in whole. Larger foods, like hard cheese, should be cut into 1-inch pieces. Remove the small pusher, press the ON lever and drop the food through the small feed tube while the machine is running.

This method of processing minces garlic, shallots and onions. Hard cheese and coconut will have the same texture as if they had been hand grated. **IMPORTANT:** Never try to process cheese that is too hard to cut with a knife. You may damage the blade or the machine.

To chop parsley and other fresh herbs:

The herbs, the work bowl and the metal blade must all be thoroughly clean and dry. Remove stems from herbs. Add leaves to bowl and process until they are chopped as fine as you want. The more herbs you chop at a time, the finer chop you can obtain. If completely dry when chopped, parsley and other herbs will keep for at least 10 days, stored in an airtight bag in the refrigerator. They may be frozen for months, stored in an airtight container or bag.

To chop meat, poultry, fish and seafood:

The food should be very cold, but not frozen. Cut it into 1-inch pieces to ensure an even chop. Process no more than the recommended amount at a time. (See page 18.) Press the OFF/PULSE lever 3 or 4 times at a rate of 1 second on, 1 second off. If the food is not chopped fine enough, let the processor run continuously for a few seconds. Check the texture often to avoid over-processing. Use a spatula to scrape food from the sides of the bowl as necessary.

To purée meat, poultry, fish and seafood:

Prepare the food as described above. Pulse until it is evenly chopped, then process continuously to the desired texture. Scrape the bowl with a spatula as needed.

Leave the purée in the work bowl and add eggs, cream and seasonings as called for by the recipe. Process to combine thoroughly.

Remember, **you** control the texture by the length of time you process.

To chop nuts:

Chop no more than the recommended amount at one time. (See page 18.) Press and release the OFF/PULSE lever and check frequently to avoid letting powdered nuts clump together in a nut butter.

When a recipe calls for flour or sugar, add some to the nuts before you chop them — about ½ cup for each cup of nuts. This allows you to chop the nuts as fine as you want without turning them into a nut butter.

You can also chop nuts with a shredding disc. The optional Fine Shredding Disc is particularly good for this task.

To make peanut butter and other nut butters:

Process up to the recommended amount of nuts. (See page 18.) Let the machine run continuously. After 2 or 3 minutes, the ground nuts will form a ball that will gradually smooth out. Scrape the sides of the bowl and continue processing until drops of oil are visible. Taste for consistency. The longer you process, the softer the butter will be. For chunk style, add a handful of nuts just after the ball of nut butter begins to smooth out. To make cashew butter, add a little bland vegetable oil. Processor nut butters contain no preservatives. Store in the refrigerator to keep them from separating.

To make flavored butter, spreads and dips:

All ingredients should be at room temperature and cut into 1-inch cubes, or added by tablespoonfuls. Cut room-temperature butter into tablespoon-size pieces and reserve. Process flavoring ingredients first—anchovies, cheese, herbs, etc.—chopping them fine. Be sure the work bowl is clean and dry. Then add small, hard ingredients like garlic and hard cheese through the feed tube while the machine is running. Next, add the butter pieces and process until smooth. Add any liquid ingredients last, while the processor is running, and process just long enough to blend. Process ingredients for spreads and dips in the same way.

To chop peel from citrus fruit (zest) or to chop sticky fruit like dates or raisins:

For citrus, remove only the peel (zest) with a vegetable peeler. Do not use the white pith, which is bitter tasting. Cut the peel into lengths of 2 inches or less and process with ½ cup of granulated sugar from the recipe until finely chopped. This may take 2 minutes or longer.

For sticky fruit like dates, raisins, prunes and candied fruit, first freeze the fruit for about 10 minutes. Add to it some of the flour called for in the recipe. Use no more than ½ cup of flour for each cup of fruit.

COMPACT COVER

Use the Compact Cover for added convenience when your recipe calls for chopping, mixing, puréeing or kneading. It is particularly useful when you are preparing baked goods such as cakes, cookies, pies and breads.

To assemble the Compact Cover:

Begin with the work bowl and the metal blade in place. Place the Compact Cover on the work bowl so that the *Cuisinart logo written on the cover* is face up and readable. Then turn cover

COUNTERCLOCKWISE to lock into place.

Make sure the small cap is in place before using.

To disassemble the Compact Cover:

Place one hand near the Cuisinart logo and one hand on opposite end of cover; turn cover **CLOCKWISE**. Lift cover up and off work bowl. Do not use the Compact Cover with any of the slicing or shredding discs. Use only with the metal blade.

TECHNIQUES FOR CHOPPING AND PURÉEING WITH THE METAL BLADE**To make mayonnaise:**

You can make foolproof homemade mayonnaise with your Pro Custom 11™. The work bowl and metal blade must be clean and dry.

Foods prepared with raw eggs may contain salmonella or other potentially harmful bacteria. Because egg yolks are a fine growth medium for bacteria, we recommend that you cook them for use in mayonnaise, Hollandaise sauce, Caesar salad dressing, chilled soufflés, chilled chiffons, mousses and other recipes calling for raw egg yolks. For mayonnaise, we recommend using either the “cooked egg” mayonnaise recipe on page 26, or using the following method with pasteurized liquid eggs.

For a “one egg” batch of basic mayonnaise made with pasteurized liquid eggs, place ¼ cup pasteurized liquid eggs, 2 tablespoons wine vinegar or lemon juice, 1 teaspoon dry mustard, ½ teaspoon kosher salt and a pinch of ground white pepper in the work bowl. With the machine running, add ½ cup of vegetable oil to the small pusher and allow to slowly drip into the mixture while processing. After all the oil has dripped through, add another ½ cup of vegetable oil to the small pusher and allow to drip through. The mixture will form a thick emulsion. For variation, you may experiment with using flavored vinegars, adding chopped, fresh herbs, dry herbs, or roasted garlic to taste. To make your mayonnaise a little lighter, add some well-drained plain, fat-free yogurt to taste.

To beat egg whites:**The work bowl and metal blade must be absolutely clean.**

Add 3 or more egg whites and press the ON lever. Add about 1 teaspoon of lemon juice or vinegar for every egg white. Vinegar makes stiffer whites; its flavor is hardly detectable in cakes or soufflés. Continue processing until the egg whites hold their shape – about 1½ to 2½ minutes.

Egg whites may be folded into batters and baked. We do not recommend serving uncooked egg whites.

To whip cream:

Processor whipped cream holds its shape very well. It is good for decoration or as a topping for gingerbread, berries and other desserts.

Chill the cream well before starting. Using the metal blade, process continuously until it begins to thicken; add sugar as desired and continue processing. Watch carefully until the cream reaches the desired consistency.

Processor whipped cream does not whip to the light, fluffy consistency obtained by methods that beat in more air. Use the optional Whisk Attachment for the fluffiest whipped cream.

To make bread, cracker and cookie crumbs and crumb crusts:

Cut or break bread, crackers or cookies into 1-inch pieces and put them in the work bowl. Process continuously until they reach the desired texture. For seasoned crumbs, chop parsley or other fresh herbs with the crumbs. For buttered crumbs, process until the dry crumbs are of the desired texture, then dribble melted butter through the small feed tube while the machine is running.

For crumb crusts, process crackers or cookies as described above. Add sugar, spices and butter, cut into 1-inch pieces, as specified by your recipe. Process until well combined.

To make pastry:

This describes the general procedure. A recipe giving exact proportions is on page 27. Combine unbleached, all-purpose flour, salt and 1-inch pieces of very cold butter in the work bowl. Process to the consistency of cornmeal. While pulsing, pour ice water through the feed tube. Stop pulsing as soon as the dough begins to form a ball, to ensure tender, flaky pastry. Use the dough immediately or form it into a round disc about

1-inch thick. Wrap it in plastic wrap and refrigerate or freeze for later use.

To make quick breads, and cakes that use baking powder and/or baking soda:***The most important rule for success is not to over-mix after the flour is added.***

If the recipe calls for chopped ingredients like lemon peel or nuts, chop them first while the work bowl is clean and dry. Then set them aside until needed. (Always use sugar when chopping lemon peel; see page 8.)

Put dry ingredients like flour, salt and leavening in the work bowl and process with the metal blade for 5 seconds to mix them. Remove and reserve the dry ingredients.

Add the eggs and sugar to the work bowl and process to mix, letting the machine run about 1 minute. Next, add 1-inch pieces of butter, at room temperature. Let the machine run continuously for a minute, until the butter is thoroughly mixed with the sugar and eggs. Then add flavoring and liquid – vanilla, spices, cocoa, etc. Process until mixed. Add the dry ingredients to the work bowl. ***Process by pulsing, inspecting after each pulse. Stop pulsing as soon as the dry ingredients have almost disappeared into the batter.*** Over-processing will cause quick breads and cakes to be tough. (If your recipe calls for ingredients that are to be coarsely chopped – like raisins or nuts – add them last with the mixed dry ingredients.)

To make cake mix:

Your food processor work bowl is large enough for the preparation of an 18.5-ounce packaged cake mix.

Insert the metal blade and add the cake mix to the work bowl. While the machine is running, add the eggs and liquid through the small feed tube and process for 5 seconds. Scrape down the side of the work bowl and process again for 1 minute for maximum volume. Remove the work bowl from the base, but do not remove the metal blade. Insert your finger into the underside of the blade from the bottom of the work bowl to hold the blade in place while emptying the batter.

Tip:

After emptying cake batter or puréed soup from the work bowl, replace the bowl on the motor base. Insert the metal blade and pulse once. Centrifugal force will spin the batter off the blade

onto the side of the work bowl. Remove the blade, and use the spatula to scrape any remaining batter from the bowl.

TECHNIQUES FOR KNEADING YEAST DOUGH

The Pro Custom 11™ Food Processor can mix and knead dough in a fraction of the time it takes to do it by hand. You will get perfect results every time if you follow these directions. **NEVER TRY TO PROCESS DOUGH THAT IS TOO STIFF TO KNEAD COMFORTABLY BY HAND.**

There are two general types of yeast dough.

1. Typical bread dough is made with a flour mix that contains at least 50% white flour. It is uniformly soft, pliable and slightly sticky when properly kneaded. It always cleans the inside of the work bowl completely when properly kneaded.

2. Typical sweet dough contains a higher proportion of sugar, butter and/or eggs than typical bread dough. It is rich and sticky, and it may not clean the inside of the work bowl. It requires less kneading after the ingredients are mixed. Although 30 seconds is usually sufficient, 45 seconds gives better results if the machine does not slow down. Except for kneading, described below, the processing procedures are the same for both types of dough.

Machine capacity

Typical bread dough:

4 cups all-purpose flour
3 cups whole-grain flour

Typical sweet dough:

3 cups all-purpose flour

If a bread dough recipe calls for more than the recommended amount of flour, mix and knead it in equal batches.

Always push the blade down as far as it will go on the motor shaft.

Measuring the flour

It's best to weigh it. If you do not have a scale, or the recipe does not specify weight, measure by the "stir, scoop and sweep" method. Use a standard, graduated dry measure, not a cup for liquid ingredients. With a spoon or fork, **stir** the flour in its container. With the dry measure, **scoop** the flour so it overflows. With a spatula, knife or chopstick— being careful not to press down — **sweep** excess flour back into the container so the top of the measure is level.

Proofing the yeast

The expiration date is marked on the packages. To be sure your yeast is active, dissolve it in a small amount of warm liquid (about 1/3 cup for one package of dry yeast). The temperature of liquids used to dissolve and activate yeast must be between 105°F and 110°F. Yeast cells are not activated at temperatures lower than this, and they die when exposed to temperatures higher than 130°F. If the recipe includes a sweetener like sugar or honey, add a small amount with the yeast. If no sweetener is called for, add a pinch. The yeast proofs better with it. Allow the mixture to stand until it foams — up to 10 minutes.

Processing dry ingredients

Put the flour and other dry ingredients in the work bowl. If the recipe calls for herbs, oil or solid fats like butter, add them with the flour. Turn the machine on, and allow to run for about 20 seconds.

Adding liquids

All liquid should be added through the feed tube while the machine is running. Add liquid in a slow, steady stream, only as fast as dry ingredients absorb it. If liquid splashes or splatters, stop adding it, but do not turn off machine. Wait until ingredients in bowl have mixed, then add remaining liquid slowly. Pour liquid onto dough as it passes under feed tube opening. Do not pour liquid directly onto bottom of work bowl.

Follow the recipe carefully. It is important to add enough liquid to make the dough soft enough to knead. Kneading dough that is too stiff can strain the machine. All liquid **except** that used to activate yeast should be cold, to minimize the possibility of overheating the dough. You must never knead a yeast dough to a temperature higher than 100°F. Doing so will slow or even prevent the action of the yeast.

Kneading bread dough

Do not try to use the machine to knead dough that is too stiff to knead comfortably by hand. Doing so can strain the machine.

Kneading typical bread dough

After the dough starts to clean the inside of the work bowl completely and forms a ball, process it for 60 seconds to knead it. Stop the machine and test the dough to be sure it's properly kneaded. Typical bread dough should have a soft, pliable texture and it should feel slightly sticky. Stretch the dough with your hands to test it. If it feels

hard, lumpy or uneven, continue processing until it feels uniformly soft and pliable. Make sure that the blade is firmly pressed back into place after removing the dough to test it.

Kneading typical sweet dough

Process dough for at least 30 seconds after all the ingredients are incorporated. It will not clean the inside of the work bowl. If necessary, scrape the bowl and process for 5 more seconds.

Adding other ingredients

Cheese, nuts and raisins may be added with the dry ingredients or during the final kneading. To leave them almost whole, add them through the feed tube 5 seconds before you stop kneading. For a finer texture, add them with the dry ingredients.

Rising

Put the dough in a large, lightly floured plastic food storage bag. Squeeze out all the air and close the bag, allowing space for the dough to rise. Or put the ball of dough in a large bowl coated with soft butter or vegetable oil. Roll the dough around to coat its entire surface. Cover it with a damp towel or a piece of oiled plastic wrap. Allow to rise in a warm, draft-free place — about 80°F. The rising time is usually about 1½ hours, but will vary from 45 minutes to several hours, depending on the type of flour and the humidity of the air. To test if the dough has risen sufficiently, press your finger in it. An indentation should remain. If it doesn't, let the dough rise more and test again. When it has risen enough, punch the dough down. It is now ready to shape.

Shaping, finishing and baking

If you shape the dough in loaf pans, coat them with vegetable oil cooking spray and fill them only half full. Allow to rise until dough is just slightly above the top of the pan. If shaping free-form loaves, let them rise on an oiled baking sheet until at least doubled in bulk.

Making consecutive batches

You can make several batches of bread dough in a row. The motor in the Pro Custom 11™ Food Processor is extremely efficient. Follow the recipe for White Bread, page 29.

TROUBLESHOOTING YEAST DOUGH

Blade doesn't incorporate ingredients

Always start processor before adding liquid. Add liquid in a slow, steady stream, only as fast as dry ingredients absorb it. If you hear liquid sloshing, stop adding it, but do not turn off machine. Instead, wait until ingredients in work bowl have mixed, then add remaining liquid slowly. Pour liquid onto dough as it passes under feed tube; do not pour liquid directly onto bottom of work bowl.

Butter or margarine, if not melted, must be cut into tablespoon-size pieces before being added to work bowl.

Blade rises in work bowl

Blade may not have been pushed down as far as it will go before processing started. Machine may be overloaded. Stop it, carefully remove half the dough and process in 2 batches. Excessively sticky dough can cause blade to rise even though it cleans inside of work bowl. If dough feels very sticky, reinsert blade and immediately add 2 tablespoons flour through feed tube while machine is running.

Dough doesn't clean inside of work bowl

- Amount of dough may exceed maximum capacity of your food processor. Remove half and process in 2 batches. See page 18 for machine capacity.
- Dough may be too dry. If it feels crumbly, add water – 1 tablespoon at a time – while machine is running, until dough becomes moist and cleans inside of work bowl. Wait 10 seconds between additions of water.
- Dough may be too wet. While machine is running, add 1 tablespoon of flour. If necessary, add more – 1 tablespoon at a time – until dough cleans inside of work bowl and forms a ball.

Nub of dough forms on top of blade and does not become uniformly kneaded

Stop machine, carefully remove dough, divide it into 3 pieces and redistribute them evenly in work bowl. Make sure that blade is firmly pressed back into place after removing the dough. Continue processing until dough is uniformly soft and pliable.

Dough feels tough after kneading

Divide dough into 2 or 3 pieces and redistribute evenly in bowl. Process 10 seconds or until uniformly soft and pliable.

Soft dough or liquid leaks onto base of food processor

Always start processor before adding liquid and add liquid only as fast as dry ingredients absorb it.

Motor stops

- If using large feed tube cover, the pusher assembly may have come unlocked. Push down pusher sleeve to lock it into place and continue processing.
- Cover may have come unlocked. Lock cover and continue processing.
- Power cord may be unplugged.
- Excessive strain may have caused motor to overheat and stop. Wait for the motor to cool, 5–10 minutes. A safety protector in the motor protects it against excessive overheating. If the motor stops, turn the machine off. After 5–10 minutes, divide dough into 2 batches and complete processing. Pinch dough to make sure it is not too stiff to knead comfortably by hand. If it is, add liquid – 1 tablespoon at a time – until dough is sufficiently moist to clean bowl.

Dough doesn't rise

We recommend that you always test activity of yeast before using it. See instructions for proofing yeast on page 10. Do not use dry yeast after expiration date on package.

Avoid killing yeast cells by dissolving yeast in water that is too warm. Dissolve yeast in about 1/3 cup of warm liquid at 105°F–110°F. All other liquids should be cold.

Don't knead so long that dough becomes overheated. The ideal temperature for kneaded dough is 80°F; it should never exceed 100°F.

Let dough rise in draft-free environment of about 80°.

Dough containing whole-grain flour will take longer to rise than dough made of white flour only.

Baked bread is too heavy

Next time, feel dough to be sure it is uniformly soft, pliable and slightly sticky before setting it aside to rise. Let dough fully double in bulk in bowl or bag, punch it down, then let it double again after it is shaped.

PROBLEMS AND SOLUTIONS WITH TYPICAL SWEET DOUGHS

Motor slows down

- Amount of dough may exceed maximum capacity of your food processor. Remove half and process in 2 batches.
- Don't process too long after all the ingredients have been incorporated. These rich doughs will give you good results after only 30 seconds of kneading.

PREPARING FOOD FOR SLICING AND SHREDDING

Round fruits and vegetables

Before processing onions, apples and other large, round fruits and vegetables, trim them with a knife. Cut the bottom ends flat, to make the food lie stable on the disc.

Place the food in the feed tube, flat side down. Position it as far left as possible, to prevent it from tilting when being processed.

Choose fruits that are firm and not too ripe. Always remove large, hard pits and seeds from fruits before processing. Seeds from citrus fruits need not be removed. You may remove the rind before slicing or shredding, or leave the rind on.

Whole peppers are an exception

Remove the stem and cut the stem end flat. Remove the core and scoop out the seeds. Leave the end opposite the stem whole, to keep the structure stiff. This ensures round, even slices.

Large fruits like pineapple and cantaloupe

Cut them in half and remove the seeds or core. If necessary, cut the halves into smaller pieces to fit the feed tube. Remember to cut the ends flat.

Cabbage and iceberg lettuce

Turn the head on its side and slice off the top and bottom, leaving a center section about 3 inches deep. Remove the core and cut the center section into wedges to fit the feed tube. Remove the core from the bottom piece and cut it and the top piece into wedges to fit the feed tube. The 2mm Slicing Disc or the optional 1mm Slicing Disc are excellent for slicing cabbage for coleslaw.

If the fruit or vegetable doesn't fit

Try inserting it from the bottom of the feed tube. The opening there is slightly larger. Do not force any food into the feed tube.

Pack the feed tube for desired results

For long slices or shreds, cut the food into feed tube widths and pack the pieces horizontally.

For small, round slices or short shreds from carrots, zucchini and other long vegetables, cut them into feed tube heights and pack them tightly upright.

Food should fit snugly, but not so tight that it prevents the pusher from moving.

When slicing or shredding food, always use the pusher. **Never put your fingers or a spatula into the feed tube.**

Never push down hard on the pusher. Use *light* pressure for soft fruits and vegetables like bananas, mushrooms, strawberries and tomatoes, and for all cheeses. Use *medium* pressure for most food – apples, celery, citrus fruit, potatoes and zucchini. Use *firm* pressure for really hard vegetables like carrots and yams.

SLICING AND SHREDDING WITH THE SLICING AND SHREDDING DISCS

1. Insert a slicing or shredding disc, put the cover with large feed tube on the work bowl and insert the prepared food in the feed tube.
2. Prepare the pusher assembly. Lock the small pusher in place and unlock the slide lock on the sleeve, so the pusher can move up and down freely.
3. Slide the pusher assembly over the feed tube and push the sleeve down to lock it into place. Apply pressure to the pusher while pressing down the OFF/PULSE lever. Release the lever as soon as the food is sliced or shredded.
4. You can load the feed tube repeatedly without removing the work bowl cover. Simply grasp the pusher assembly with your fingers on the wide locking tab at the back of the sleeve. Press firmly on the tab and lift up. The pusher assembly will come off easily, leaving the cover and feed tube in place. Your other hand is free to reload the feed tube.

REMOVING SLICED OR SHREDDED FOOD

Before you do anything, wait for the disc to stop spinning.

When it does, remove the cover first. Hold the pusher assembly with your fingers *away* from the locking tabs on back and turn it clockwise. Lift, and the pusher assembly and cover will come off together.

Remove the slicing or shredding disc before removing the work bowl. Place two fingers under each side of the disc and lift it straight up. Then turn the bowl clockwise to unlock it from the base, and lift it straight up to remove it.

You can place the disc on top of the inverted work bowl cover, to minimize drips and spills.

SLICING AND SHREDDING TECHNIQUES

Small, round fruits and vegetables

For large berries, radishes and mushrooms, trim the ends flat with a knife. Insert the food through the feed tube, standing each piece on a flat end. You can fill the tube to about 1 inch from the top. The bottom layer gives you perfect slices for garnish. If you want all the slices to be perfect, it's best to process one layer at a time.

Long fruits and vegetables

Trim foods like bananas, celery and zucchini by cutting them into pieces a little shorter than the feed tube. Cut both ends flat. (Use a ruler as a guide, or the pusher assembly with the pusher pulled out as far as it will go.)

Fill the feed tube with the pieces, standing them vertically and adding enough pieces so they are solidly packed and cannot tilt sideways as they are sliced or shredded.

Small amounts of food

Use the small feed tube and the small pusher. Remove the small pusher from the pusher assembly. Slide the pusher assembly over the feed tube and press the sleeve down to lock it into place. Be sure the slide lock on the sleeve is locked. Cut the food into lengths a little shorter than the feed tube. If you are slicing one or two long, thin vegetables like zucchini, push them against the right. If you are slicing a few vegetables that are wide at one end and narrow at the other—carrots, celery or scallions—cut them in half and pack in pairs, one wide end up, one narrow end up.

French-cut green beans

Trim fresh green beans to feed-tube widths. Blanch them for 60 seconds in boiling, salted water. Plunge them immediately into cold water to stop the cooking. When they are cold to the touch, drain and dry them. Stack them in the feed tube horizontally to about 1 inch from the top. Use the standard 4mm Slicing Disc.

Be sure the small pusher is locked and the slide lock in the sleeve is unlocked. Apply light pressure to the pusher and press the lever down to PULSE until beans are sliced. To make long, horizontal slices or shreds of raw zucchini or carrots, use the same procedure.

Matchsticks or julienne strips

Process the food twice to “double-slice” it. Insert any large fruit or vegetable — potatoes, turnips, zucchini, apples — in the feed tube horizontally. Apply pressure to the pusher while pressing the lever down to PULSE until the food is sliced. You will get long slices. Remove the slices from the work bowl and reassemble them as described. Reinsert them in the feed tube, wedging them in tightly. Slice them again. You will obtain long julienne strips. With the optional Square Julienne Disc, you can make square julienne strips in one operation.

SLICING MEAT AND POULTRY

Cooked meat and poultry

The food must be very cold. If possible, use a chunk of food just large enough to fit the feed tube. To make julienne strips of ham, bologna or luncheon meat, stack slices of them. Then roll or fold them double and stand them upright in the feed tube, wedging in as many rolls as possible. This technique works better with square or rectangular pieces than with round ones.

Uncooked meat and poultry

Cut the food into pieces to fit the feed tube. Boned, skinned chicken breasts will usually fit when cut in half crosswise. Wrap the pieces in plastic wrap and put them in the freezer. They are ready to slice when they pass this “knife test.” They are easily pierced with the tip of a sharp knife although semi-frozen and hard to the touch. Stand them in the feed tube, cut side down, and slice them **against** the grain, using firm pressure on the pusher. Or lay them flat in the feed tube, as many as will fit, and slice **with** the grain, using firm pressure.

Frankfurters, salami and other sausages

If the sausage is soft, freeze it until it is hard to the touch, but easily pierced with the tip of a sharp knife. Hard sausages need not be frozen. If the sausage is thin enough to fit in the small feed tube, use that tube. Otherwise, cut the sausage into pieces to completely fit the large feed tube. Stand the pieces vertically, packing them in tightly so they cannot tilt sideways.

SLICING AND SHREDDING CHEESE

Firm cheeses like Swiss and Cheddar

Cut the cheese into pieces to fit the feed tube. Be sure that cheese is very well chilled — placing it in the freezer for 5 to 10 minutes helps. Stand the pieces in the feed tube and apply light pressure to the pusher.

IMPORTANT: Never try to slice soft cheese like mozzarella or hard cheese like Parmesan. You may damage the slicing disc or the food processor itself. You can successfully shred most cheeses except for the softer ones. The exception is mozzarella, which shreds well if thoroughly chilled. Hard cheeses like Parmesan shred well only at room temperature.

Therefore, attempt to shred mozzarella or Parmesan only when at the appropriate temperature; otherwise the cheeses will not shred well or damage to the machine could occur.

TYPE OF CHEESE	CHOP	SHRED	SLICE
Soft	yes	no	no
<i>Brie, Camembert, ricotta, cottage, cream</i>			
<i>exception: mozzarella</i>	yes	yes chill	no
Semi-Soft	yes	yes chill	no
<i>Blue, Fontina, Bel Paese</i>		chill chill	
Semi-Hard	yes	yes chill	yes chill
<i>Cheddar, Monterey Jack</i>			
<i>Swiss, Jarlsberg, Edam, Gouda, Provolone</i>		chill chill chill	chill chill chill
Hard	yes	yes room temp.	no
<i>Parmesan, Romano, Pecorino, Asiago</i>			

IF YOU HAVE A PROBLEM

Most problems with the food processor are easily solved. Provided are some possible problems and their solutions.

Food is unevenly chopped

Do not process too much food at one time. Food should be in uniform pieces. Pulse several times and then run continuously.

Liquid leaks from bottom of bowl onto motor base

Remove bowl from base as soon as you finish processing. Do not remove metal blade first. When bowl and blade are removed together, blade drops down and forms an almost perfect seal against the bowl.

Liquid leaks out between bowl and cover when machine is running

You added too much liquid. Never use more than 2¾ cups thin or 5 cups thick liquid. The thicker the liquid, the more you can use. Examples of thick liquids include pancake or cake batter.

Slices are uneven or slanted

Pack feed tube more carefully, as described on pages 12 through 14. Maintain even pressure on pusher.

Carrots, or similar food, fall over in feed tube
Cut food into enough short pieces of equal height to fill feed tube. To slice one or two pieces, use small feed tube. Cut carrots in half and insert one piece point down and the other stem down.

Sliced or shredded food piles up on one side of work bowl

This is normal. Remove disc occasionally and even out food. When food gets close to bottom of disc, empty work bowl.

A few pieces of food remain on top of slicing or shredding disc

This is normal. In most cases, you can shred more of the food by moving the large pusher up and down, allowing the piece to be shredded, or by repositioning the piece in the feed tube and reshredding it.

Soft cheese like mozzarella spreads out and collects on top of shredding disc

The cheese was not cold enough, or the pressure on the pusher was too hard. To shred soft cheese, do not push – rather let the cheese go through by itself. Tap on the pusher to guide cheese through.

CLEANING, STORING AND MAINTENANCE

Keep your food processor ready to use on the kitchen counter. When not in use, leave unplugged. Don't leave the pusher assembly in

locked position; this could damage the on-off mechanism.

Store the blade and discs as you would sharp knives – out of the reach of children. The Disc and Blade Holders (optional accessories) offer safe and convenient storage.

All parts except the motor base are dishwasher safe, and we recommend washing them in the dishwasher on **the top rack**. Due to intense water heat, washing the work bowl and work bowl cover on the bottom rack may cause damage over time. Insert the work bowl upside down. Remember where you place the sharp blade and discs, and be certain to unload the dishwasher carefully.

To simplify cleaning, rinse the work bowl, cover, pusher assembly and blade or disc immediately after use. Openings at the bottom of the large pusher provide drainage and make cleaning easy. If food lodges in the pusher, remove it by running water through pusher or using a bottle brush. If you wash the blade and discs by hand, do it carefully. Avoid leaving them in soapy water where they may disappear from sight. To clean the metal blade, fill the work bowl with soapy water, hold the blade by its plastic center and move rapidly up and down on the center shaft of the bowl. Use of a spray hose is also effective. If necessary, use a brush.

The work bowl is made of a plastic that is shatter resistant and heat resistant. It should not be placed in a microwave oven, as the tube at the back of the bowl houses the metal rod that activates the motor.

MAINTENANCE

Any other servicing should be performed by an authorized service representative.

Chopping certain foods may scratch or cloud the work bowl. Among them are ice, whole spices and oils, like wintergreen. If you like to prepare your own spice blends, you may want to keep a second bowl just for that purpose.

The base housing is made of a durable, high-impact-resistant plastic. Its smooth surface will look new for years. Keep a sponge handy as you work to wipe spills from the base.

Four rubber feet under the base help keep it stable on most work surfaces even when processing heavy loads. If the feet leave spots on the counter, spray them with a spot remover and wipe with a damp sponge. If any trace of the spot remains,

repeat the procedure and wipe the area with a damp sponge and nonabrasive cleaning powder. To clean the inside of the detachable stem, slide the stem release button up as far as it will go and hold as you run water through the stem.

IMPORTANT: Never store the blade or discs on the motor shaft. The blade or disc should not be placed on the shaft except when the processor is about to be used.

FOR YOUR SAFETY

Like all powerful electrical appliances, a food processor should be handled with care. Follow these guidelines to protect you and your family from misuse that could cause injury.

- ▶ Handle metal blade and discs carefully. Their cutting edges are very sharp.
- ▶ Always place discs on flat, stable surface before connecting detachable stem.
- ▶ Never put blade or disc on motor shaft until work bowl is locked in place.
- ▶ Always be sure that the blade or disc is down on motor shaft as far as it will go.
- ▶ Always insert metal blade in work bowl before putting ingredients in bowl.
- ▶ When slicing or shredding food, always use pusher. Never put your fingers or spatula into feed tube.
- ▶ Always wait for blade or disc to stop spinning before you remove pusher assembly or cover from work bowl.
- ▶ Be careful to prevent metal blade from falling out of work bowl when emptying bowl. Remove blade before tilting bowl, or hold it in place with your finger, a spatula or spoon.
- ▶ Never use pusher assembly if sleeve becomes detached from pusher. Call Cuisinart Consumer Service immediately at 1-800-726-0190.

SOME TECHNICAL DATA

The motor in your food processor operates on standard line operating current. The appropriate voltage and frequency for your machine are shown on a label under the base.

An automatic, temperature-controlled circuit breaker in the motor ensures complete protection against motor burnout. If the processor runs for an exceptionally long time when chopping, mixing or kneading a thick or heavy mixture in successive batches, the motor may overheat. If this happens, the processor will stop. Turn it off and wait for the motor to cool off before proceeding. It will usually cool off within 10 minutes. In extreme cases, it could take an hour.

Safety switches prevent the machine from operating when the work bowl or the cover is not locked into position. The motor stops within seconds when the motor is turned off, and a fast-stop circuit stops it instantly when the pusher assembly is unlocked.

BOWL CAPACITY

Recommended work bowl capacity

FOODS	CUSTOM 11
Chopped and Puréed Fruits and Vegetables	2 cups
Chopped or Puréed Meat, Poultry, Fish or Seafood	1¾ pounds
White Bread Dough	2 pounds (4 cups flour, yielding two 1-pound loaves)
Nuts for Nut Butters	2 cups
Cream for Whipping	2 cups
Sliced or Shredded Fruits, Cheeses or Vegetables	11 cups
Cake Batter	3 pounds (four 8-inch layers)
Cookie Dough	2¾ pounds (65 cookies)
Thin Liquid	2¾ cups
Thick Liquid	5 cups

Appetizers

Guacamole	19
Blue Cheese and Pecan Spread	19
Cheese Coins	19

Soups

Chunky Gazpacho	19
Leek and Potato Soup/Vichyssoise	20
Lentil Soup	20
Split Pea Soup	21

Meats and Fish

Meatloaf	21
Chili	22
Chicken and Vegetable Stir-Fry	22
Crab Cakes	23

Vegetables

Mashed Potatoes	23
Potatoes au Gratin	23
Shredded Carrots and Zucchini	24

Salads

Sliced Tomatoes on Shredded Lettuce	24
Creamy Coleslaw	25
Shredded Carrot Salad	25

Sauces

Pesto	25
No-Cook Cranberry-Orange Relish	26
Salsa	26
Raspberry Sauce	26
Mayonnaise	26
Pastry Cream	27
Chocolate Sauce	27

Pastry

Basic Pastry	27
--------------------	----

Quick Breads, Yeast Bread and Pizza

Cornbread	28
Coffee Cake	28
White Bread	29
Basic Pizza Dough	29
Pizza in a Hurry	30
Tomato Pizza Sauce	30

Desserts

Apple Pie	30
Fudgy Brownies	31
Chocolate Chip Oatmeal Cookies	31
Carrot Cake	32
Cream Cheese Frosting	32
Pear Frozen Yogurt	32
Banana-Apple Sherbet	33

Warranty	33
----------------	----

Guacamole

*Serve with tortillas or crisp vegetables.
For a less pungent taste, use flat-leaf
parsley instead of cilantro.*

Yield: 2¼ cups

- 1** large garlic clove, peeled
- 1** jalapeño, halved and seeded
- ½** cup tightly packed cilantro leaves
- 1** medium scallion, white part and 2 inches of green, cut into 1-inch pieces
- 3** ripe medium avocados, peeled, halved and pitted
- 3** tablespoons fresh lemon juice
- Pinch** cumin
- ¼** teaspoon kosher salt
- ¼** teaspoon chili powder
- 1** medium tomato, quartered, seeds removed

Use metal blade to chop garlic, jalapeño pepper, cilantro, and scallion until minced, about 15 seconds; scrape work bowl. Add avocados and all remaining ingredients, except tomato. Process until smooth, about 1 minute, scraping bowl as necessary. Add tomato and pulse about 6 to 8 times, until finely chopped. Adjust salt if necessary.

Blue Cheese and Pecan Spread

You can substitute cottage cheese for all or part of the cream cheese, and you can substitute walnuts for pecans.

Yield: 1½ cups

- ⅓** cup shelled pecans
- 8** ounces cream cheese, cut in 1-inch pieces
- 3** tablespoons blue cheese

Process nuts with metal blade until finely chopped, about 10 seconds. Add cream cheese and blue cheese. Process until well mixed and smooth, about 10 seconds. (If substituting cottage cheese, process until smooth, about 90 seconds.)

Cheese Coins

These tender and flavorful appetizers are easy to make, convenient to serve, and they can be refrigerated or frozen.

Yield: 100 cheese coins

- 8** ounces Cheddar, cut into 1-inch pieces
- 4** ounces unsalted butter, at room temperature, cut into 1-inch pieces
- ¼** teaspoon kosher salt
- ¼** teaspoon hot sauce
- 1** cup unbleached, all-purpose flour
- Nonstick** cooking spray

Use metal blade to chop cheese until it resembles coarse meal, about 30 seconds. Add butter, salt and hot sauce. Process until smooth, about 60 seconds; scrape bowl. Add flour and process until just mixed in. Chill dough until firm, about 1 hour.

Divide dough into 3 equal parts and roll each into a cylinder about 1½ inches in diameter. Chill until firm, about 2 hours.

Preheat oven to 400°F and coat baking sheets with vegetable oil cooking spray. Cut dough into ⅛-inch slices and place 1½ inches apart on baking sheets. Bake until lightly colored, about 10 minutes; do not brown. Transfer to wire rack to cool.

Unbaked, plastic-wrapped cylinders keep for about a week in the refrigerator. Cooked cheese coins can be frozen and reheated for 6 to 8 minutes in a 300°F oven.

Chunky Gazpacho

This refreshing, cold soup can be ready in less than 10 minutes. You may serve it at once, but it improves with chilling.

Yield: 4½ cups

- 1** small garlic clove, peeled
- ½** small jalapeño, halved and seeded
- 4** scallions, trimmed and cut into 1-inch pieces
- 1** celery stalk, cut into 1-inch pieces
- ½** medium bell pepper, cut into 3 pieces

- 2 tomatoes, seeded**
- 2 cups tomato or vegetable juice**
- 1 medium cucumber, peeled, halved lengthwise and seeded**
- 2 tablespoons fresh lemon juice**
- 1 teaspoon kosher salt**
- ¼ teaspoon freshly ground black pepper**

Use metal blade to process garlic and jalapeño pepper until finely chopped. Add scallions, celery and bell pepper. Pulse/chop to medium chop. Put in large mixing bowl. Pulse/chop one tomato until coarsely chopped. Add to mixing bowl. Purée remaining tomato until smooth, about 1 minute. With machine running, pour in ½ cup of tomato juice and process until smooth. Add to mixing bowl with remaining tomato juice and stir.

Insert thin slicing disc, stand cucumber pieces upright in feed tube and slice, using light pressure. Add to mixing bowl with remaining ingredients and stir to combine. Cover and chill before serving.

Leek and Potato Soup/ Vichyssoise

Louis Diat, longtime chef at the New York Ritz Hotel, transformed the everyday Leek and Potato Soup into a cold soup suitable for parties.

Yield: 4 cups Leek and Potato Soup or 6 cups Vichyssoise

- 2 medium leeks, white part only, thoroughly cleaned**
- 1 small onion, halved**
- 1 tablespoon unsalted butter**
- 2 medium, all-purpose potatoes, peeled**
- 1½ cups chicken stock**
- 1 cup water**
- Salt and freshly ground black pepper, to taste**
- 1 cup milk**
- ¼ cup heavy cream**
- Chopped chives for garnish**

Cut leeks to fit feed tube. Use standard slicing disc to slice leeks and onion. Melt butter in large saucepan over medium heat. Add leeks and onion; sauté, stirring often, until soft but not brown, about

10 minutes.

Cut potatoes in half crosswise, and use standard slicing disc to slice them. Add potatoes, stock and water to saucepan. Bring to boil over medium-high heat. Reduce heat to low, cover and simmer gently, stirring occasionally until vegetables are very tender, about 25 minutes. Adjust seasoning and serve hot as Leek and Potato Soup, or proceed as follows for cold Vichyssoise.

Strain liquid into large saucepan and set aside. Use metal blade to purée vegetables, stopping once to scrape bowl. Whisk puréed vegetables into reserved liquid, add milk and bring to a boil over moderate heat, stirring constantly. Remove from the heat and stir in cream. Season to taste with salt and pepper. Refrigerate until thoroughly chilled. Taste again for seasoning and sprinkle with chopped chives.

Lentil Soup

This hearty winter soup is a meal on its own, accompanied by crusty bread and a salad.

Yield: 6 cups

- 8 ounces lentils**
- 1 garlic clove, peeled**
- ½ small onion, halved**
- ½ medium celery stalk, cut into 1-inch pieces**
- ½ medium carrot, peeled, cut into 1-inch pieces**
- 2 medium tomatoes, quartered**
- 2½ cups beef broth**
- 2½ cups water**
- 2 teaspoons white wine vinegar**
- ½ teaspoon paprika**
- ½ teaspoon kosher salt***
- ⅛ teaspoon freshly ground black pepper**
- Pinch dried thyme**
- ½ pound Polish kielbasa or other smoked sausage**

Wash lentils under cold, running water, drain and put them in a large saucepan.

Use metal blade, pulse/chop garlic, onion, celery and carrot until finely chopped. Put in pot with lentils. Add tomatoes to work bowl, and chop into fine pieces. Add to pot with all remaining ingredi-

ents, except sausage. Cover and cook over medium heat for about 1 hour.

Freeze sausage until hard to the touch, but easily pierced with tip of a sharp knife, about 30 minutes.

Drain and reserve soup liquid. Purée solids with metal blade. Return purée to broth and stir to combine. Use standard slicing disc to slice sausage. Add sausage to soup and reheat gently over medium-low heat until sausage is heated through, stirring occasionally, about 20 minutes.

*Optional; omit salt if using salty sausage.

Split Pea Soup

A perfect family lunch or supper.

Yield: 6 cups

¾ pound split green peas
1 garlic clove, peeled
¾ large onion, quartered
1 pound smoked ham hocks
5¼ cups water
2 medium carrots, peeled
1 large celery stalk
1 medium potato, peeled
Kosher salt
Freshly ground black pepper

Rinse peas and place in a large saucepot. Use metal blade to chop garlic fine, about 10 seconds. Add onion and pulse until coarsely chopped, about 6 to 8 pulses. Transfer to saucepot with peas. Add ham hocks and water. Bring to a boil over medium-high heat. Reduce heat, cover and simmer for 1 hour, stirring occasionally. Uncover and simmer until hocks are tender, about 30 to 40 minutes. Stir occasionally and add more water if necessary. Remove hocks and let them cool while preparing vegetables.

Cut carrots into feed-tube lengths, then halve lengthwise. Cut celery into feed-tube lengths, then halve lengthwise. Cut potato in half crosswise, then quarter halves lengthwise. Insert standard slicing disc. Stand vegetables upright in feed tube and slice with medium to firm pressure. Reserve. Purée soup with metal blade until smooth, about

15 seconds. Return to saucepot. Remove meat from hocks and pulse until coarsely chopped, 4 to 6 pulses. Add to pot with vegetables. Cover and simmer over medium-low heat until tender, stirring occasionally to prevent sticking. This will take about 20 minutes. Season to taste.

MEATS AND FISH

Meatloaf

For a spicier meatloaf, add a few drops of hot sauce and a teaspoon of Worcestershire sauce.

Yield: 1½ pounds of meatloaf

1 small onion, quartered
⅓ cup loosely packed parsley leaves
1½ slices day-old bread, broken into pieces
1½ pounds boneless chuck, cut into 1-inch pieces*
3 tablespoons milk*
1 teaspoon kosher salt
⅓ teaspoon dried thyme
1 large egg

Preheat oven to 375°F. Put all ingredients except egg in work bowl and pulse/chop 4 to 6 times. Then process continuously until chopped fine. Add egg and pulse 4 or 5 times or until desired consistency is reached, watching carefully to avoid over-processing. Pack mixture into loaf pan and bake at 375°F until cooked through, about 40 to 50 minutes.

*You can vary these ingredients by using a mixture of beef, veal and pork, or by replacing the milk with tomato juice.

Meatball Variation: Instead of making a meatloaf, shape mixture into balls of 2 tablespoons each, arrange them in a single layer in baking dish and bake at 375°F for about 25 minutes.

Chili

Kids love chili and it's a versatile dish. Serve it on hot dogs, fill tacos or eat it plain. It freezes well for about 6 months.

Yield: 4½ cups

- 3** garlic cloves, peeled
- 1** medium onion, quartered
- 1** pound boneless beef chuck, chilled, fat trimmed, cut into 1-inch cubes
- 1½** teaspoons whole cumin seeds
- 2** tablespoons vegetable oil
- 2** tablespoons chili powder
- 2** tablespoons paprika
- 1** teaspoon kosher salt
- ½** teaspoon crushed red pepper
- 1** can (8 ounces) whole tomatoes
- 1** cup water
- 2** cups red kidney beans

Process garlic and onion with metal blade until finely chopped, about 15 seconds. Reserve. Process beef cubes until coarsely chopped, about 10 to 12 pulses.

Brown cumin seeds in medium saucepot over medium heat. Shake pan constantly and cook until cumin begins to smoke, about 1 minute. Reserve.

Heat vegetable oil in same saucepot over medium heat. Add garlic and onion; cook for 2 minutes. Add beef and cook, stirring often, until no pink color remains, about 5 minutes.

Reduce heat to low. Stir in cumin, chili powder, paprika, salt and crushed red pepper; cook uncovered for 5 minutes, stirring occasionally.

Use metal blade to coarsely chop tomatoes. Add to saucepot with water and bring to boil, covered, over medium-high heat. Reduce heat to low and simmer, partially covered, for 45 minutes, stirring occasionally. Stir in the beans and cook until heated through.

Garnish with shredded Cheddar or Monterey Jack cheese if desired.

Chicken and Vegetable Stir-Fry

Stir-frying and the food processor are a most effective combination for putting a meal on the table in no time.

Yield: 8 servings

- 3** pounds boneless/skinless chicken breasts
- 2** red peppers, cored, seeded and cut vertically into 3 strips
- 8** scallions, cut to fit feed tube horizontally
- 3** zucchini, cut to fit feed tube horizontally
- 1** yellow squash, cut to fit feed tube horizontally
- ½** cup water
- 3** tablespoons dry sherry
- 3** tablespoons soy sauce
- 1** tablespoon sesame oil
- ¼** teaspoon freshly ground black pepper
- 1** tablespoon cornstarch
- 1** garlic clove, peeled
- 1** 1-inch piece fresh ginger
- ¼** cup vegetable oil

Split chicken breasts lengthwise. Tuck ends under to form compact shapes of uniform thickness. Wrap individually in plastic wrap and freeze on baking sheet until firm to the touch, but easily pierced with the tip of a sharp knife.

Insert standard slicing disc. Stand peppers on long ends and slice, using light pressure. Lay scallion pieces in feed tube horizontally and slice into slivers, using light pressure.

Insert shredding disc. Shred zucchini and squash, using light pressure. Remove and reserve vegetables.

Use metal blade to mix water, sherry, soy sauce, sesame oil, black pepper and cornstarch until smooth, about 15 seconds. Reserve.

Use metal blade to finely chop garlic and ginger. Do not empty work bowl. Insert standard slicing disc. Unwrap chicken pieces and cut to fit feed tube vertically. Stand chicken pieces tightly in feed tube and slice, using firm pressure. Leave in work

bowl. Heat vegetable oil in skillet over medium heat. Add chicken mixture and cook, stirring vigorously, until chicken is opaque, about 3–5 minutes.

Add vegetable mixture and stir-fry until crisp-tender, about 2 minutes. Add soy sauce mixture, cook, stirring, until sauce thickens, about 1 minute. Serve over brown or white rice.

Crab Cakes

These delicate seafood cakes are perfect with drinks. If you're feeling festive, substitute cooked lobster meat for half of the crabmeat.

Yield: 54, ½-ounce crab cakes

- 4** slices white bread, lightly toasted
- 1** garlic clove, peeled
- 1** small onion, quartered
- 1** tablespoon unsalted butter
- 1** tablespoon parsley leaves
- 1** pound lump crabmeat, picked over to remove cartilage
- ¼** cup mayonnaise
- 1** large egg
- 1** tablespoon fresh lemon juice
- ¼** teaspoon kosher salt
- Tartar Sauce (see recipe on page 27)**

Preheat oven to 375°F. Break bread slices in quarters and process with metal blade to fine crumbs, about 40 seconds. Reserve ¼ of crumbs and put remainder in pie plate.

With machine running, drop garlic through feed tube and process until finely chopped, about 10 seconds. Add onion and chop fine, about 10 seconds. Melt butter in a medium skillet over medium heat. Add garlic/onion mixture and cook until golden brown, stirring, about 10 minutes.

Using metal blade, chop parsley fine, about 5 seconds. Add cooked onion mixture, crabmeat, mayonnaise, egg, lemon juice, salt and reserved bread crumbs; pulse until combined, about 8 times.

Form mixture into 1½-inch cakes. (About ½ ounce each.) Coat them with crumbs in pie plate and place on buttered baking sheet. (Recipe may be prepared ahead to this point and refrigerated up

to 4 hours.) Bake in preheated oven until golden brown, about 10 to 15 minutes. Serve with Tartar Sauce.

Mashed Potatoes

The shredding disc processes cooked potatoes to the right texture. Be careful not to over-process when you mix them with the other ingredients.

Yield: 4 servings

- ¼** cup hot milk
- 2** tablespoons butter, cut into 1-inch pieces
- ½** teaspoon kosher salt
- Freshly ground black pepper**
- Pinch of nutmeg (optional)**
- 3** large potatoes, peeled, boiled and drained

Put all ingredients except potatoes in work bowl and insert shredding disc. Place potatoes in large feed tube and process. Leave in work bowl. Remove shredding disc and carefully insert metal blade. Pulse 2 or 3 times, until liquid is absorbed. Potatoes will become gluey if you over-process.

Wonderfully light, fluffy mashed potatoes can also be made with the optional Whisk Attachment (DLC-855).

Potatoes au Gratin

You can use baking or boiling potatoes for this elegant dish.

Yield: 8 servings

- 3** ounces Gruyère cheese, cut into 1-inch cubes
- 2** garlic cloves, peeled
- 1** medium onion, quartered
- 2½** cups milk or half-and-half
- 1** teaspoon kosher salt
- Ground white pepper**
- 3** large potatoes (about 10 ounces each), peeled and cut flat at ends

Preheat oven to 400°F and butter an 2-quart baking dish. Process cheese with metal blade until it is finely grated. Reserve. With machine running, drop garlic and onion through feed tube and process until finely chopped. Put garlic/onion mixture in a medium saucepan with milk, salt and pepper.

Insert shredding disc and shred potatoes, one at a time, using firm pressure on pusher. Add shredded potatoes to saucepan and bring mixture to a boil over medium-high heat, stirring continuously to prevent scorching.

Spread potato mixture in prepared baking dish and sprinkle with reserved cheese. Bake for 25 minutes, or until potatoes are tender and cheese is golden. Let stand for 10 minutes before serving.

Shredded Carrots and Zucchini

Because shredded vegetables cook so quickly, all their natural flavor and crispness are preserved.

Yield: 4 servings

- 3 medium carrots, peeled**
- 2 medium zucchini**
- ¼ cup unsalted butter**
Kosher salt
Freshly ground black pepper, to taste
- ½ teaspoon chopped fresh tarragon (or ¼ teaspoon dried)**

Cut carrots and zucchini to fit feed tube horizontally. Process with shredding disc.

Melt butter in large skillet over medium-high heat. Add shredded vegetables, salt and pepper. Cover and cook until crisp, about 2 or 3 minutes. Season with tarragon.

SALADS

Sliced Tomatoes on Shredded Lettuce

You can prepare all the elements of this salad in the work bowl.

Yield: 6 servings

- ¼ cup loosely packed parsley leaves**
- 1 medium shallot, peeled**
- 1½ tablespoons red wine vinegar**
- 4½ tablespoons vegetable oil**
- ½ teaspoon Dijon mustard**
- ½ teaspoon granulated sugar**
- ½ teaspoon kosher salt**
Freshly ground black pepper
- 4 firm, ripe, medium tomatoes, cored and cut flat at ends**
- 1 medium head romaine lettuce, washed**

Use metal blade to finely chop parsley and shallot. Add vinegar, oil, mustard, sugar, salt and pepper through the feed tube while the machine is running. Leave in work bowl. Remove metal blade and insert standard slicing disc. Slice tomatoes, using light pressure.

Cut lettuce into sections to fit feed tube. Use slicing disc with medium pressure.

Transfer contents of work bowl to platter, arranging tomatoes over lettuce in an attractive pattern.

TIP: When preparing a meal, make the dishes with the least amount of wet ingredients first. In many cases, wiping the work bowl with a paper towel between recipes is sufficient.

Creamy Coleslaw

Coleslaw only takes minutes to prepare when you don't have to slice the cabbage by hand.

Yield: 5 cups

- ¼ cup loosely packed parsley leaves**
- 1 1-oz. piece peeled onion**
- ⅓ cup mayonnaise**
- ½ tablespoon red wine vinegar**
- ¼ teaspoon kosher salt**
- ¼ teaspoon freshly ground black pepper**
- ½ large carrot**
- ½ medium head green cabbage**

Process parsley with metal blade until minced. Add onion and process until minced. Add all remaining ingredients, except carrot and cabbage; process 5 seconds to combine. Remove metal blade.

Cut carrot in half crosswise. Core cabbage and cut it into wedges. Insert shredding disc and shred carrot, using firm pressure. Insert thin slicing disc and slice cabbage, using firm pressure. Add contents of work bowl to mixing bowl and toss to combine. Adjust seasoning. Serve immediately or refrigerate for up to 24 hours. Before serving, drain excess liquid and adjust seasoning. Serve chilled.

Shredded Carrot Salad

The brilliant colors of carrots and peas make this fresh and simple salad a welcome addition to a party buffet table.

Yield: 8 servings

- 2 pounds young carrots**
- 3 large scallions, trimmed and cut into 1-inch pieces**
- ¼ cup fresh lemon juice**
- ¼ cup vegetable oil**
- 1 teaspoon kosher salt**
- 1 teaspoon granulated sugar**
- Pinch ground allspice**
- Pinch ground cinnamon**
- Freshly ground black pepper**
- ½ cup cooked peas, fresh or frozen (thawed)**

Cut carrots to fit feed tube horizontally. Parboil them in salted water until you can just pierce them with the tip of a sharp knife, about 3 to 5 minutes. Drain and rinse under cold water. When cool, blot dry with paper towels.

Process scallions with metal blade until they are finely chopped. Add lemon juice, oil, salt, sugar, allspice, cinnamon, and pepper; process for about 3 seconds. Leave the dressing in the work bowl.

Insert shredding disc. Pack carrots horizontally in feed tube and shred, using medium pressure. Transfer contents of work bowl to serving bowl. Add peas and toss gently to coat all ingredients with dressing. Serve cold or at room temperature. Adjust seasoning just before serving.

SAUCES

Pesto

A classic pasta sauce from Italy. One cup is enough for 1 pound of pasta. It's also good on boiled potatoes or in soups.

Yield: 1⅓ cups

- 4 ounces imported Parmesan, room temperature, cut into 1-inch (2.5cm) pieces**
- 4 small garlic cloves, peeled**
- 2⅓ cups tightly packed, fresh basil leaves**
- ⅓ cup pine nuts**
- ¾ teaspoon kosher salt**
- ⅓ cup olive oil**

Use metal blade to chop cheese and garlic, about 30 seconds. Add remaining ingredients, except oil, and process until combined, about 8 pulses. With machine running, pour oil through feed tube. Process until combined, about 10 seconds. Scrape bowl and continue processing until smooth, about 20 seconds.

Pesto keeps for up to 5 days in the refrigerator and it also freezes well. Some people prefer to omit the cheese when freezing pesto and add it just before serving.

No-Cook Cranberry-Orange Relish

Only 1 cup of sugar sweetens 1 pound of cranberries. Most cooked relishes call for 2 cups of sugar.

Yield: 1¾ cups

- 2 cups fresh cranberries**
- ½ navel orange, unpeeled and quartered**
- ½ cup granulated sugar**

Use metal blade to coarsely chop fruit, about 8 to 10 pulses. Add sugar and process to combine, about 20 seconds. Store in refrigerator.

Salsa

Serve this sauce as a topping for tacos, or with grilled fish or chicken. It is best when fresh; it may become slightly bitter after standing a day.

Yield: 2⅔ cups

- 2 jalapeños, halved and seeded**
- ⅓ cup packed cilantro leaves***
- 1 tablespoon fresh lime juice**
- ⅛ teaspoon kosher salt**
- 5 medium tomatoes, cored and quartered**
- 1 medium onion**

Use metal blade to process peppers and cilantro until finely chopped, about 20 seconds. Scrape bowl. Add lime juice and salt; pulse twice to combine.

Add tomatoes and onion; pulse until coarsely chopped, about 10 to 12 times.

Transfer to serving dish. Stir and serve within 1 or 2 hours.

* Substitute flat-leaf parsley if cilantro is not available.

Raspberry Sauce

A fine finish for ice cream, sherbet or cake. You can substitute strawberries for the raspberries.

Yield: 1 cup

- 1 10-ounce package frozen raspberries, thawed**
- 1 tablespoon honey**

Use metal blade to purée raspberries and honey for 30 seconds. Transfer to fine sieve placed over a mixing bowl. Press solids through the sieve with back of spoon and discard seeds. Serve at room temperature or warm slightly to serve over ice cream.

Mayonnaise

Adding oil very slowly is essential for the mayonnaise emulsion – the hole in the pusher adds the oil at just the right speed for success. Flavored vinegar or fresh or dried herbs can be added for a flavored mayonnaise.

Yield: 1¼ cups mayonnaise

Recipe may be doubled

- 2 large egg yolks**
- 2 tablespoons white wine vinegar or fresh lemon juice**
- 2 tablespoons water**
- 1 teaspoon granulated sugar**
- 1 teaspoon dry mustard powder**
- ½ teaspoon kosher salt**
- ⅛ teaspoon ground white pepper**
- 1 cup flavorless vegetable oil**

Have a shallow pan of ice water ready. In a small skillet, use a whisk to stir together the egg yolks, vinegar or lemon juice, sugar, dry mustard, salt, and pepper until completely blended. Cook over very low heat, stirring constantly, until the mixture bubbles in 1 or 2 places – do not allow eggs to scramble. Remove from the heat and place in the ice water bath, stir to cool down.

Insert the metal blade. Place the egg mixture in the work bowl. Cover and insert the pusher. Turn the machine on and add half the oil to the pusher; the oil will run through the pusher very slowly into the work bowl to create the emulsion. When it has totally run through, add the remaining oil to the pusher. As the emulsion is made, the sound of the machine will become deeper. Transfer mayonnaise to a container, cover and chill until ready to use. Will keep for 2 to 3 days in the refrigerator.

Herb Mayonnaise: Add ¼ cup tightly packed fresh green herbs when you put the egg in the work bowl. Recommended herbs are parsley, dill and tarragon, with stems removed.

Tarter Sauce: Triple the amount of lemon juice. When mayonnaise is finished, add these ingredients: 3 small gherkins, ¼ small onion, 1 tablespoon capers, 1 tablespoon bottled horseradish and 3 drops hot sauce. Process until gherkins and onion are chopped fine, about 10 seconds.

Pastry Cream

Spread about one cup of this cream in a cooked, 9-inch tart shell and arrange sliced, fresh fruit on top.

Yield: 1½ cups

- 1¼ cups milk**
- 2 large egg yolks**
- ¼ cup granulated sugar**
- ½ teaspoon pure vanilla extract**
- 3 tablespoons unbleached, all-purpose flour**
- 2 tablespoons unsalted butter, softened**

Bring milk to a boil in small saucepan over medium heat. Insert metal blade and add egg yolks, sugar, vanilla and flour. Process until just combined. With the machine running, pour hot milk through feed tube in a steady stream. Return mixture to saucepan and whisk over medium heat until it boils. Reduce heat to low and simmer for 2 minutes, whisking constantly. Remove from heat and stir in butter. Cool to lukewarm before using.

Chocolate Sauce

You can make a delicious chocolate sauce in 1 minute! No more worries about melting chocolate on top of the stove.

Yield: about 1 cup

- 5 ounces semisweet chocolate, broken into ½-inch pieces**
- ¼ cup superfine sugar**
- ⅓ cup very hot water**

Use the metal blade to coarsely chop chocolate with sugar, about 6 pulses. Then process continuously until chopped to a fine powder, about 60 seconds. With machine running, slowly pour hot water through feed tube. Process until chocolate melts, about 45 seconds, stopping once to scrape bowl.

Mint Variation: Add 1 tablespoon of peppermint extract, crème de menthe or peppermint schnapps to water after it is heated.

PASTRY

Basic Pastry

This is the basic dough for pies, tarts and quiches.

Yield: three 9-inch pie shells

- 2⅔ cups unbleached, all-purpose flour**
- 2 sticks very cold, unsalted butter, cut into 1-inch pieces**
- 1 teaspoon kosher salt**
- ½ cup ice water**

Use metal blade to process flour, butter and salt until mixture is like coarse meal, about 8 seconds. Add ice water a tablespoon at a time and pulse until dough begins to clump together. Do not let it form a ball. Divide dough into three equal parts and put each in a plastic food storage bag. Work through bag to press dough together into a ball, then flatten into a disk. Refrigerate dough for at least 1 hour.

Roll each disk of dough on lightly floured surface into a circle about ⅙ inch thick. Press into place in pie pan. Use kitchen shears to trim dough, leaving 1-inch overlap beyond pan. Fold overlap under and pinch crust to form decorative edge. Prick bottom and sides with fork and refrigerate crust for 30 minutes, or until firm.

Preheat oven to 400°F, 15 minutes before baking.

Line pie shell with parchment paper and fill it with uncooked beans or rice. Bake for 12 minutes. Remove paper, beans or rice. Prick shell again and bake it 6 minutes longer, or until it is lightly browned. Let cool on wire rack.

Fruit Tart Variation:

Use a 9-inch tart pan instead of a pie pan. Bake shell according to above directions. When cooked shell is thoroughly cool, remove shell from pan, fill with about 1 cup of pastry cream (see recipe on page 27). Arrange sliced, fresh fruit (kiwi, peaches, raspberries, etc.) decoratively on top.

QUICK BREADS, YEAST BREAD AND PIZZA

Cornbread

This is a particularly moist and flavorful cornbread which is best served warm.

- 4 **tablespoons unsalted butter**
- 1 **cup yellow cornmeal**
- 1 **cup unbleached, all-purpose flour**
- 2 **tablespoons granulated sugar**
- 1/3 **tablespoon baking powder**
- 1/4 **teaspoon baking soda**
- 1/4 **teaspoon kosher salt**
- 1 1/3 **cups buttermilk**
- 2 **large eggs**
- 1/2 **cup fresh, frozen or canned corn kernels**

Preheat oven to 425°F. Melt butter in a 9 x 9-inch baking pan. Coat sides and bottom of pan with melted butter. Reserve.

Use metal blade to process dry ingredients until combined, about 10 seconds. Add melted butter, buttermilk and eggs; process until mixed, about 5 seconds. Scrape work bowl and gently stir in corn kernels.

Pour into prepared pan and bake until a toothpick inserted in center comes out clean, about 25 minutes.

Muffin Variation: For corn muffins, pour batter into greased, standard-size muffin tins. Fill them 3/4 full. Bake in preheated 425°F oven for about 25 minutes. Makes 8 muffins.

Coffee Cake

This makes an excellent breakfast or brunch cake. Also serve as a sweet addition to lunch or supper.

Dough

- 1 **package (2 1/4 teaspoons) active dry yeast**
- 2 **tablespoons granulated sugar, divided**
- 1/4 **cup warm water (105°F–110°F)**
- 1/3 **cup sour cream**
- 1/4 **cup cold milk**
- 1 **large egg**
- 1 **teaspoon pure vanilla extract**
- 3 **cups unbleached, all-purpose flour**
- 4 **tablespoons butter, cold and cut into 1-inch pieces**
- 1/2 **teaspoon kosher salt**
- 2 **tablespoons unsalted butter, melted and divided**

Filling

- 1/2 **cup packed light brown sugar**
- 1/2 **cup dates, cut into 1-inch pieces**
- 1/2 **cup pecan halves**
- 1 **teaspoon ground cinnamon**

In a 2-cup liquid measure dissolve yeast and 1 tablespoon sugar in warm water. Let stand until foamy. Stir together the sour cream, milk, egg and vanilla extract and add to the yeast mixture.

Using the metal blade, process flour, cold butter, salt and remaining sugar for 10 seconds. With machine running, add yeast mixture through feed tube in a steady stream as fast as flour absorbs it. After dough cleans inside of work bowl, continue processing 40 seconds more to knead it.

Shape dough into a ball and place it in a lightly floured plastic food storage bag. Squeeze out air and close top with wire twist. Let rise in a warm place until doubled in size, about 1 hour.

Roll dough on lightly floured surface into 20 x 12-inch rectangle. Brush with 1 tablespoon of melted butter. With remaining butter, brush inside of a 9 x 13-inch pan.

Use metal blade to combine brown sugar, dates, pecans and cinnamon until coarsely chopped, about 45 seconds. Spread filling over dough. Roll dough up, jelly-roll fashion, from long side.

Use sharp knife to cut rolled dough into ¾-inch slices. Place slices in buttered pan, cut side up, and let rise until doubled in size.

Preheat oven to 375°F, 15 minutes before baking. Bake coffee cake until golden and bubbly, about 20 to 25 minutes. Serve warm.

White Bread

We used unbleached, all-purpose flour and had great results.

Yield: two 1-pound loaves

- 1 package (2¼ teaspoons) active dry yeast**
- ½ cup warm water (105°F–110°F)**
- 2 teaspoons granulated sugar**
- 4 cups unbleached, all-purpose flour**
- 3 tablespoons unsalted butter, cut into 1-inch pieces**
- 1½ teaspoons kosher salt**
- 1 cup ice water**
- Vegetable oil for pans**

Stir yeast and sugar into warm water in 2-cup measure and let stand until foamy, 5 to 10 minutes. Use metal blade to process flour, butter and salt for 20 seconds. Add ice water to yeast mixture.

With machine running, pour liquid through feed tube in a steady stream, only as fast as flour absorbs it. Continue processing until dough cleans inside of work bowl and forms a ball. Then let machine run for 60 seconds to knead dough.

Shape dough into a ball and place in a lightly floured plastic storage bag. Squeeze out air and close end with wire twist, allowing space for dough to rise. Let rise in a warm place until dough has doubled in size, about 1 to 1½ hours.

Punch dough down and shape into 2 loaves. Place each in an oiled 6-cup loaf pan. Cover with oiled plastic wrap and let rise in a warm place until dough just rises above top of pan, about 45 minutes. Preheat oven to 375°F, 15 minutes before baking. Bake until top is browned, about 35–40 minutes. Remove from pan and cool on wire rack.

Whole Wheat Variation: Replace half of all-purpose flour with an equal amount of whole wheat flour.

Basic Pizza Dough

With this dough, you can make large pizza crusts to serve several, or small ones to serve a few.

Yield: one 14-inch pizza crust or two 9-inch pizza crusts

- 1 package (2¼ teaspoons) active dry yeast**
- 1 teaspoon granulated sugar**
- ¾ cup warm water (105°F–110°F)**
- 1⅔ cups unbleached, all-purpose flour**
- ¾ teaspoon kosher salt**
- 2 teaspoons olive oil**
- Vegetable oil for pan**
- 1½ tablespoons cornmeal for pan**

Stir yeast and sugar into warm water and let stand until foamy, about 5 to 10 minutes. Insert metal blade, put flour and salt in work bowl and turn on machine. Pour yeast mixture through feed tube and process about 45 seconds, until dough pulls away from sides of bowl. Add olive oil through feed tube and process 60 seconds longer.

If dough sticks to sides of bowl, add more flour, 1 tablespoon at a time, processing 10 seconds after each addition, until dough leaves sides of bowl, but remains soft.

Roll dough on floured surface into a circle, rotating and turning dough often and using enough flour so it doesn't stick. If dough resists rolling, let it rest for a few minutes and try again. Roll dough into a 15-inch circle for a flat 14-inch pizza pan, or into a 10-inch circle for a flat 9-inch pizza pan.

Oil pan(s) lightly and sprinkle with cornmeal. Fold rolled dough in half loosely, then in half again. Position point at center of pan and gently unfold. Press into place from center outward, turn under the 1-inch overhang and shape it into a rim. Crust(s) is now ready to bake and fill.

Pizza in a Hurry

It takes no longer to make this pizza than to wait for one you order to take out.

Yield: One 14-inch pizza

- 1** 14-inch pizza crust (previous recipe)
- 4** ounces Parmesan, at room temperature
- 2** ounces pepperoni, cut into 3 pieces
- 12** ounces mozzarella, very cold
- 1** small onion, peeled, ends cut flat
- 1** medium green pepper, cored, seeded and cut flat at stem
- 1** medium tomato, cored and cut flat at ends
- 1** cup Tomato Pizza Sauce (recipe follows)
- Pinch** granulated sugar
- Freshly ground black pepper**
- ½** teaspoon dried basil
- ½** teaspoon dried oregano

Preheat oven to 425°F and place rack in lower third. Bake pizza crust for 6 minutes. In the meantime, prepare filling.

Use metal blade to process Parmesan and pepperoni until coarsely chopped. Reserve.

Insert shredding disc and process mozzarella. Reserve.

Insert standard slicing disc and slice onion. Reserve. Slice green pepper and reserve. Slice tomato, using light pressure. Set aside on paper towels to drain.

Use rubber spatula to spread Tomato Pizza Sauce evenly over pre-baked crust, leaving rim exposed. Separate onion slices into rings and distribute them over sauce. Distribute shredded mozzarella over onions. Arrange tomato slices over cheese and sprinkle with a pinch of sugar and pepper.

Distribute Parmesan and pepperoni mixture, then green pepper slices, over tomatoes. Sprinkle evenly with basil and oregano. Return pizza to oven and bake for 18 minutes, or until rim of crust is golden and bottom is deep brown.

Tomato Pizza Sauce

When this sauce stands, liquid may accumulate on the surface. Pour off all but 2 tablespoons, then stir well before using.

Yield: 2 cups

- 2** large tomatoes, peeled, seeded and quartered
- 1** cup canned tomato sauce
- ¼** cup tomato paste
- ¾** teaspoon dried oregano
- ¾** teaspoon dried basil
- 1** teaspoon granulated sugar
- Kosher salt and freshly ground black pepper**

Use metal blade to coarsely chop tomatoes, about 6 pulses. Add remaining ingredients and pulse 4 times to mix.

DESSERTS

Apple Pie

Yield: One 9-inch pie

Pastry for two 9-inch pie shells (see Basic Pastry recipe, page 27)

- ½** cup granulated sugar
- 3** tablespoons unbleached, all-purpose flour
- ¾** teaspoon ground cinnamon
- ⅛** teaspoon ground nutmeg
- 2** pounds apples, peeled and cored

Preheat oven to 375°F. Roll out 2 pastry shells as directed in Basic Pastry recipe (page 27). Place one in a 9-inch pie plate and reserve remaining pastry shell.

Use the metal blade to process the sugar, flour, cinnamon and nutmeg, about 5 seconds. Leave in work bowl.

Insert the standard slicing disc. Slice apples using medium pressure. Transfer apple/spice mixture to the pie plate. Place second crust over apples.

Pinch crust edges together and form a decorative edge. With a sharp knife, make 6–8 small cuts in top crust to allow steam to escape. Place pie on a baking sheet and bake until juices bubble, about 45 minutes.

Fudgy Brownies

These easy-to-make brownies are always a favorite in lunchboxes or for after-school snacks.

Yield: 24 brownies

- Nonstick cooking spray**
- 4 ounces unsweetened chocolate**
- 1½ cups packed light brown sugar, divided**
- ½ cup unsalted butter, melted**
- 4 large eggs**
- 1½ teaspoons pure vanilla extract**
- 1 cup unbleached, all-purpose flour**
- ¼ teaspoon kosher salt**
- 1½ teaspoons baking powder**
- ¾ cup pecan halves**

Preheat oven to 350°F. Spray a 9 x 9-inch square pan with nonstick cooking spray.

Use metal blade to coarsely chop chocolate with half the sugar, about 6 to 8 pulses. Then process continuously until finely chopped, about 20 seconds.

With machine running, pour hot butter through feed tube. Process until smooth, about 30 seconds. Add remaining sugar, eggs and vanilla extract. Pulse twice, then process 10 seconds more. Add dry ingredients and nuts. Pulse/chop until just mixed, about 6 to 8 times. Spread in prepared pan.

Bake until outside is slightly crusty and inside is still moist, about 20 minutes. Cool completely and cut into squares.

Chocolate Chip Oatmeal Cookies

Toasted nuts and oats make these cookies good for you as well as delicious.

Yield: 48, 2½-inch cookies

- ¾ cup quick-cooking oats**
- 1 cup pecan halves**
- 1 cup unsalted butter, cut into 1-inch pieces**
- ½ cup granulated sugar**
- ¾ cup packed light brown sugar**
- 2 large eggs**
- 1 teaspoon pure vanilla extract**
- 1½ cups unbleached, all-purpose flour**
- 1 teaspoon baking soda**
- ¾ teaspoon kosher salt**
- 9 ounces semisweet chocolate chips**
- Nonstick cooking spray**

Preheat oven to 350°F and place rack in center. Toast oats and pecans on baking sheet until lightly browned, about 10 minutes. Remove and reserve. Raise oven temperature to 375°F.

Use metal blade to process butter and both sugars until smooth, about 2 minutes. Scrape work bowl as necessary. Add eggs and vanilla extract; pulse until just mixed, about 6 times.

Add toasted pecans, flour, baking soda, salt and half the toasted oats. Pulse until mixed, about 8 times. Remove to large bowl, add remaining oats and chocolate chips and stir to mix. Drop by rounded teaspoonfuls onto greased baking sheets 1 inch apart and bake until golden brown, about 11 minutes.

Carrot Cake

To make this delicious, moist cake look really professional, place a marzipan carrot in the center. You can buy them at many pastry or candy shops.

Yield: 8 to 10 servings

Softened butter for pans
Fine, dry breadcrumbs for dusting pans
 $\frac{1}{2}$ **pound carrots, peeled**
 $\frac{1}{2}$ **cup granulated sugar**
 $\frac{1}{2}$ **cup packed dark brown sugar**
2 large eggs
 $\frac{1}{2}$ **cup corn oil**
1 teaspoon pure vanilla extract
 $\frac{3}{4}$ **cup walnut pieces**
1 cup unbleached, all-purpose flour
 $\frac{1}{2}$ **tablespoon unsweetened cocoa**
1 teaspoon baking powder
1 teaspoon ground cinnamon
 $\frac{1}{2}$ **teaspoon baking soda**
 $\frac{1}{2}$ **teaspoon kosher salt**
 $\frac{1}{2}$ **cup raisins**
Cream Cheese Frosting (recipe follows)

Preheat oven to 350°F. Butter two 8-inch round cake pans, line bottoms with parchment paper and butter paper. Dust pans with breadcrumbs.

Cut carrots into lengths to fit tube horizontally. Use shredding disc to shred carrots; reserve.

Process sugars, eggs, oil and vanilla extract with metal blade until smooth, about 15 seconds. Add walnuts and dry ingredients; pulse until combined, about 6 times, stopping once to scrape down work bowl. Use spatula to stir in raisins and carrots.

Divide batter between prepared pans and bake in preheated oven until a cake tester inserted in the center comes out clean, about 35 to 40 minutes. Cool in pans for 2 to 3 minutes and turn out onto wire racks to cool completely. Remove paper.

Spread frosting between layers and on top and sides of cake.

Cream Cheese Frosting

This quick, easy frosting is delicious on carrot cake, but it is also good on many other cakes.

Frosts two 8-inch layers

$\frac{1}{2}$ **pound (two standard packages) cream cheese, room temperature, and cut in 1-inch pieces**
 $\frac{1}{2}$ **stick unsalted butter, room temperature and cut into 1-inch pieces**
1 cup confectioners' sugar
 $\frac{1}{2}$ **teaspoon pure vanilla extract**

Use metal blade to process cream cheese and butter until combined, about 10 seconds. Add sugar and process until smooth, about 5 seconds. Add vanilla extract and process until smooth, about 15 seconds.

Pear Frozen Yogurt

Yield: Six 1-cup servings

4 medium pears, peeled and cored
 $\frac{1}{3}$ **cup confectioners' sugar**
 $\frac{2}{3}$ **cup yogurt**
 $1\frac{1}{2}$ **tablespoons fresh lemon juice**

At least 5 hours before serving, prepare fruit by cutting it into 1-inch pieces. Freeze all the fruit in a single layer on baking sheet.

A few minutes before serving, process frozen fruit and sugar with metal blade, pulsing about 8 times. Then process continuously until fruit is finely chopped, scraping work bowl and cover as necessary.

Add yogurt and lemon juice; process just until mixture becomes smooth and creamy, scraping down work bowl as necessary. Taste for sweetness, adding more sugar if necessary.

Serve immediately, or freeze for later use. To prepare frozen mixture for serving, cut into 1-inch chunks. Process with metal blade just until mixture becomes smooth and creamy.

Banana-Apple Sherbet

Yield: 5 servings

- 3 medium Golden Delicious apples, peeled and cored**
- 3 small bananas**
- 1½ tablespoons confectioners' sugar**
- 2 tablespoons fresh lemon juice**

At least 5 hours before serving, prepare fruit by cutting it into 1-inch pieces. Freeze $\frac{3}{4}$ of fruit in a single layer on baking sheet and refrigerate remaining fruit.

A few minutes before serving, process frozen fruit and sugar with metal blade, pulsing about 8 times. Then process continuously until fruit is finely chopped, scraping work bowl and cover as necessary.

Add refrigerated fruit and lemon juice; process just until mixture becomes smooth and creamy, scraping down work bowl as necessary. Taste for sweetness, adding more sugar if necessary.

Serve immediately, or freeze for later use. To prepare frozen mixture for serving, cut into 1-inch chunks. Process with metal blade just until mixture becomes smooth and creamy.

Limited Three-Year Warranty (U.S. and Canada ONLY)

This warranty is available to consumers only. You are a consumer if you own a Cuisinart® Pro Custom 11™ Food Processor that was purchased at retail for personal, family or household use. Except as otherwise required under applicable law, this warranty is not available to retailers or other commercial purchasers or owners. We warrant that your Cuisinart® Pro Custom 11™ Food Processor will be free of defects in materials and workmanship under normal home use for 3 years from the date of original purchase.

We recommend that you visit our website, www.cuisinart.com for a fast, efficient way to complete your product registration. However, product registration does not eliminate the need for the consumer to maintain the original proof of purchase in order to obtain the warranty benefits. In the event that you do not have proof of

purchase date, the purchase date for purposes of this warranty will be the date of manufacture.

CALIFORNIA RESIDENTS ONLY

California law provides that for In-Warranty Service, California residents have the option of returning a nonconforming product (A) to the store where it was purchased or (B) to another retail store that sells Cuisinart products of the same type. The retail store shall then, according to its preference, either repair the product, refer the consumer to an independent repair facility, replace the product, or refund the purchase price less the amount directly attributable to the consumer's prior usage of the product. If neither of the above two options results in the appropriate relief to the consumer, the consumer may then take the product to an independent repair facility, if service or repair can be economically accomplished.

Cuisinart and not the consumer will be responsible for the reasonable cost of such service, repair, replacement, or refund for nonconforming products under warranty. California residents may also, according to their preference, return nonconforming products directly to Cuisinart for repair or, if necessary, replacement by calling our Consumer Service Center toll-free at 1-800-726-0190. Cuisinart will be responsible for the cost of the repair, replacement, and shipping and handling for such nonconforming products under warranty.

BEFORE RETURNING YOUR CUISINART PRODUCT

If your Cuisinart® Pro Custom 11™ Food Processor should prove to be defective within the warranty period, we will repair or, if we think necessary, replace it. To obtain warranty service, please call our Consumer Service Center toll-free at 1-800-726-0190 or write to: Cuisinart, 7475 North Glen Harbor Blvd., Glendale, AZ 85307. To facilitate the speed and accuracy of your return, enclose \$10.00 for shipping and handling. (California residents need only supply proof of purchase and should call 1-800-726-0190 for shipping instructions.) Please be sure to include your return address, daytime phone number, description of the product's defect, product serial number, and any other information pertinent to the return. Please pay by check or money order made payable to Cuisinart. **NOTE:** For added protection and secure handling of any Cuisinart product that is being returned, we recommend you use a traceable, insured delivery service. Cuisinart

cannot be held responsible for in-transit damage or for packages that are not delivered to us. Lost and/or damaged products are not covered under warranty. Your Cuisinart® Pro Custom 11™ Food Processor has been manufactured to the strictest specifications and has been designed for use only in 120 volt outlets and only with authorized accessories and replacement parts. This warranty expressly excludes any defects or damages caused by attempted use of this unit with a converter, as well as use with accessories, replacement parts or repair service other than those authorized by Cuisinart. This warranty does not cover any damage caused by accident, misuse, shipment or other than ordinary household use. This warranty excludes all incidental or consequential damages. Some states do not allow the exclusion or limitation of these damages, so these exclusions may not apply to you. You may also have other rights, which vary from state to state.

Important: If the nonconforming product is to be serviced by someone other than Cuisinart's Authorized Service Center, please remind the servicer to call our Consumer Service Center at 1-800-726-0190 to ensure that the problem is properly diagnosed, the product is serviced with the correct parts, and to ensure that the product is still under warranty.

© 2016 Cuisinart
150 Milford Road
East Windsor, NJ 08520
Printed in China
16CE019155

G IB-4274-ESP

para uso sobre corriente de 120 V, usando accesorios y piezas de repuesto autorizados solamente. Esta garantía excluye expresamente los daños causados por accesorios, piezas o reparaciones no autorizados por Cuisinart, así como los daños causados por el uso de un convertidor de voltaje. Esta garantía no cubre el uso institucional o comercial del producto, y no es válida en caso de daños causados por mal uso, negligencia o accidente. Esta garantía excluye expresamente todos los daños incidentales o consecuentes. Algunos Estados no permiten la exclusión o limitación de daños incidentales o consecuentes, de modo que las limitaciones mencionadas pueden no regir para usted. Usted puede tener otros derechos que varían de un Estado a otro.

Importante: si debe llevar el aparato defectuoso a un centro de servicio no autorizado, por favor informe al personal del centro de servicio que deberían llamar al servicio posventa de Cuisinart al 1-800-726-0190 a fin de diagnosticar el problema correctamente, usar las piezas correctas para repararlo y asegurarse de que el producto esté bajo garantía.

residentes del estado de California pueden (A) regresar el producto defectuoso a la tienda donde lo compraron o (B) a otra tienda que venda productos Cuisinart® de este tipo. La tienda, a su opción, reparará el producto, referirá al consumidor a un centro de servicio o independiente, cambiará el producto o reembolsará al consumidor el precio original del producto, menos la cantidad imputable al uso del producto por el consumidor hasta que éste se dañe. Si estas dos opciones no satisfacen al consumidor, podrá llevar el aparato a un centro de servicio independiente, siempre que se pueda ajustar o reparar el aparato de manera económica.

Cuisinart será responsable por los gastos de servicio, reparación, reemplazo o reembolso de los productos defectuosos durante el período de garantía. Los residentes de California también pueden, si lo desean, mandar el aparato defectuoso directamente a Cuisinart para que lo reparen o lo cambien. Para esto, se debe llamar a Cuisinart responsable por los gastos de reparación, reemplazo, manejo y envío de los productos defectuosos durante el período de garantía.

ANTES DE HACER REPARAR SU APARATO

Si este aparato presentara algún defecto de materiales o fabricación durante el período de garantía, la repararemos o reemplazaremos (a nuestra opción). Para obtener servicio bajo esta garantía, llame a nuestra línea directa gratuita al 1-800-726-0190 o regrese el aparato defectuoso a: Cuisinart, 7475 North Glen Harbor Blvd. Glendale, AZ 85307. Regrese el aparato y un cheque postal de US\$10.00 por gastos de manejo y envío. Los residentes de California solo necesitan dar una prueba de compra y deben llamar al 1-800-726-0190 para recibir instrucciones de envío. Recuerde incluir su nombre, dirección y teléfono, la descripción del problema, así como cualquier información pertinente. Por favor incluya un cheque postal a nombre de Cuisinart. **NOTA:** para mayor seguridad, le aconsejamos que mande su paquete por un método de entrega con seguro y seguimiento. Cuisinart no será responsable por los daños ocurridos durante el transporte o por los paquetes mandados a una dirección equivocada. Los productos perdidos y/o lastimados durante el envío no serán cubiertos bajo esta garantía. Este aparato satisface las más altas exigencias de fabricación y ha sido diseñado

1 1/2 **cucharadas de azúcar glase**

2 **cucharadas de jugo de limón fresco**

Por lo menos 5 horas antes de servir, cortar las frutas en pedazos de 1 pulgada (2.5 cm). Colocar 3/4 las frutas en una capa sobre una placa para horno y congelarlas; refrigerar el resto.

Unos minutos antes de servir, instalar la cuchilla de metal, colocar las frutas congeladas y el azúcar en el bol y pulsar 8 veces. Luego, procesar continuamente hasta que las frutas estén finamente picadas, raspando el bol si es necesario.

Agregar las frutas refrigeradas y el jugo de limón; procesar hasta conseguir una mezcla suave y cremosa, raspando el bol cuando es necesario. Probar y agregar más azúcar si desea.

Servir inmediatamente o congelar para más tarde. Si lo congela: cortar en pedazos antes de servir y procesar con la cuchilla de metal hasta conseguir una mezcla suave y cremosa.

GARANTÍA LIMITADA DE TRES AÑOS

(válida en los E.U. y en Canadá solamente)

Esta garantía es para los consumidores solamente. Usted es un consumidor si ha comprado su aparato Cuisinart® en una tienda, para uso personal o casero. A excepción de los estados donde la ley lo permita, esta garantía no es para los detallistas u otros comerciantes. Cuisinart garantiza este aparato contra todo defecto de materiales o fabricación durante 3 años después de la fecha de compra original, siempre que el aparato haya sido utilizado para uso doméstico y según las instrucciones. Le aconsejamos que llene el formulario de registro disponible en www.cuisinart.com a fin de facilitar la verificación de la fecha de compra original. Sin embargo, no es necesario registrar el producto para recibir servicio bajo esta garantía. En ausencia del recibo de compra, el período de garantía será calculado a partir de la fecha de fabricación.

RESIDENTES DE CALIFORNIA

La ley del estado de California ofrece dos opciones bajo el período de garantía. Los

3	manzanas Golden Delicious medianas, peladas y descorazonadas
3	bananas, aplastadas

Rinde 5 porciones

Sorbete de banana-manzana

Servir inmediatamente o congelar para más tarde. Si lo congela, cortar en pedazos antes de servir y procesar con la cuchilla de metal hasta conseguir una mezcla suave y cremosa.

Agregar el yogur y el jugo de limón; procesar hasta conseguir una mezcla suave y cremosa, raspando el bol cuando es necesario. Probar y agregar más azúcar si desea.

Unos minutos antes de servir, instalar la cuchilla de metal, colocar las frutas congeladas y el azúcar en el bol y pulsar 8 veces. Luego, procesar continuamente hasta que las frutas estén finamente picadas, raspando el bol si es necesario.

Por lo menos 5 horas antes de servir, cortar las frutas en pedazos de 1 pulgada (2,5 cm). Colocar las frutas en una capa sobre una placa para hornos y congelarlas.

4	zonadas peras medianas, peladas y descorazonadas
¾	taza (40 g) de azúcar glasé
¾	taza (160 ml) de yogur
1½	cucharada de jugo de limón fresco

Rinde 6 porciones de 1 taza (235 ml)

Helado de yogur de pera

Instalar la cuchilla de metal. Poner el queso y la mantequilla en el bol; procesar por aproximadamente 10 segundos para mezclar. Agregar el azúcar; procesar por 5 segundos, hasta obtener una mezcla suave. Agregar la vainilla; procesar por 5 segundos, hasta obtener una mezcla suave.

¾	libra (225 g) de queso crema a temperatura ambiente, en cubos
¾	barra (55 g) de mantequilla sin sal, a temperatura ambiente, en pedacitos
1	taza (120 g) de azúcar glasé
½	cucharadita de extracto natural de vainilla

de 8 pulgadas (22 cm)

Rinde suficiente cobertura para cubrir dos capas de pastel.

Esta cobertura fácil y rápida es perfecta para cubrir pastel de zanahoria, y muchos otros tipos de pastel.

Baño de queso crema

Esparcir el baño de queso crema entre las capas de pastel, encima y todo alrededor del pastel.

Echar la mezcla en los moldes preparados y meter al horno por 35–40 minutos, hasta que un probador introducido en el centro salga limpio. Dejar enfriar en los moldes por 2–3 minutos. Luego desmoldar y dejar enfriar sobre una rejilla. Quitar el papel sulfurizado.

Instalar la cuchilla de metal. Colocar el azúcar, los huevos, el aceite y la vainilla en el bol; procesar por 15 segundos, hasta obtener una mezcla suave. Agregar las nueces y los ingredientes secos; pulsar aproximadamente 6 veces para mezclar, parando una vez para raspar el bol. Agregar las pasas y las zanahorias; revolver con una espátula.

Cortar las zanahorias para que quepan horizontalmente en la boca de llenado. Instalar el disco triturador y rallar la zanahoria, usando presión firme; reservar.

Precalentar el horno a 350 °F (180 °C). Engrasar dos moldes redondos de 9 pulgadas (22 cm) de diámetro con mantequilla, cubrir el fondo con un círculo de papel sulfurizado y engrasar el papel con mantequilla. Espolvorear con pan rallado.

¾	cucharadita de sal kosher
¾	taza (80 g) de pasas
	Baño de queso crema (receta a continuación)

un molde de 9 x 9 pulgadas (22 cm x 22 cm) con spray vegetal.

Instalar la cuchilla de metal. Colocar el chocolate y la mitad del azúcar en el bol; pulsar 6–8 veces para picar grueso. Luego, procesar por aproximadamente 20 segundos, hasta que esté finamente picado.

Sin apagar la máquina, agregar la mantequilla caliente por la boca de llenado. Procesar por 30 segundos, hasta obtener una mezcla suave. Agregar el azúcar restante, los huevos y la vainilla. Pulsar 2 veces, luego procesar por 10 segundos más. Agregar los ingredientes secos y las nueces. Pulsar 6–8 veces para mezclar. Repartir en el molde preparado.

Meter al horno por aproximadamente 20 minutos, hasta que la parte superior esté ligeramente crujiente pero que el interior siga húmedo. Dejar enfriar completamente y cortar en cuadrillos.

Galletas de avena con chispas de chocolate

Las nueces tostadas y la avena hacen que estas galletas sean no solo deliciosas, sino también buenas para usted.

Rinde 48 galletas de 2½ pulgadas (6.5 cm)

¾	taza (60 g) de copos de avena instantánea
1	taza (100 g) de mitades de pacana
1	taza (225 g) de mantequilla sin sal, en pedazos
½	taza (100 g) de azúcar granulada
¾	taza llena (150 g) de azúcar rubio
2	huevos grandes
1	cucharadita de extracto natural de vainilla
1½	taza (185 g) de harina común
1	cucharadita de bicarbonato de sodio
¾	cucharadita de sal kosher
9	onzas (255 g) de chispas de chocolate semidulce
	Spray vegetal

Pastel de zanahoria

Para que este pastel delicioso y húmedo luzca profesional, coloque una zanahoria de mazapán (disponible en muchas confiterías) en el centro.

Rinde 8–10 porciones

¾	Mantequilla suave para engrasar los moldes
	Pan rallado fino para espolvorear el molde
½	libra (225 g) de zanahorias peladas
½	taza (100 g) de azúcar granulada
½	taza llena (100 g) de azúcar morena
2	huevos grandes
½	taza (120 ml) de aceite de maíz
1	cucharadita de extracto natural de vainilla
¾	taza (75 g) de nueces picadas
1	taza (125 g) de harina común
½	cucharada de cacao amargo en polvo
1	cucharadita de canela en polvo
½	cucharadita de bicarbonato de sodio

Instalar la cuchilla de metal. Colocar la mantequilla y el azúcar en el bol; procesar por aproximadamente 2 minutos hasta conseguir una mezcla suave. Raspar el bol si es necesario. Agregar los huevos y la vainilla; pulsar 6 veces para mezclar. Agregar las pacanas, la harina, la sal, el bicarbonato y la mitad de la avena tostada. Pulsar 8 veces para mezclar. Colocar la mezcla en un tazón grande y agregar el resto de la avena y las chispas de chocolate; revolver. Echar cucharadas de la masa sobre placas para horno engrasadas, 1 pulgada (2.5 cm) aparte una de otra, y meter al horno por aproximadamente 11 minutos, hasta dorarse.

Poner la rejilla del horno en la parte inferior del horno y precalentar el horno a 350 ° F (180 ° C). Disponer la avena y las pacanas sobre una placa para horno y meter al horno por aproximadamente 10 minutos, hasta dorarse ligeramente. Reservar. Ajustar la temperatura a 375 ° F (190 ° C).

POSTRES

Tarta de manzana

Rinde una tarta de 9 pulgadas (22 cm)

2 fondos de tarta de 9 pulgadas (22 cm)
(receta en la página 27)

4	onzas (115 g) de chocolate amargo	1 ½	taza llena (300 g) de azúcar rubia
½	taza (115 g) de mantequilla sin sal, derretida	4	nuevos grandes
1 ½	cucharadita de extracto natural de vainilla	1	taza (125 g) de harina común
¼	cucharadita de sal kosher	1 ½	cucharadita de polvo de hornear
¾	taza (75 g) de mitades de pacana		

Precalentar el horno a 350 °F (180 °C). Engrasar

Instalar la cuchilla de metal. Colocar los tomates en el bol y pulsar aproximadamente 6 veces para picar grueso. Agregar el resto de los ingredientes y pulsar 4 veces para mezclar.

2	tomates grandes, sin semillas, peladas y cortadas en cuartos	1	taza (235 ml) de salsa de tomate en lata
¼	taza (60 ml) de concentrado de tomate	¾	cucharadita de orégano seco
¾	cucharadita de albahaca seca	1	cucharadita de azúcar granulada
1	Sal kosher y pimienta recién molida		

Rinde 2 tazas (475 ml)

Después de dejar reposar esta salsa, puede que se acumule líquido a la superficie. Quite casi todo el líquido y revuelva la salsa antes de usarla.

Salsa de tomate para pizza

Esparcir la salsa de tomate sobre el fondo de pizza, dejando un borde de masa sin salsa. Separar los aros de cebolla y disponerlos encima de la salsa. Esparcir la Mozzarella encima de las cebollas. Disponer las rodajas de tomate encima del queso y rociar con una pizca de azúcar y pimienta.

Rociar con la mezcla de queso Parmesano y pepperoni, y luego añadir las rodajas de pimiento. Cubrir uniformemente con albahaca y orégano. Meter al horno por 18 minutos, hasta dorarse.

Acanal el borde con los dedos. Hacer 6–8 cortes pequeños en la cobertura para permitir que el vapor se escape. Meter al horno por aproximadamente 45 minutos, hasta que el jugo empiece a burbujear.

“Brownies” cremosos

Estos “brownies” fáciles de hacer siempre son un favorito.

Instalar el disco rebanador medio; rebanar las manzanas, usando presión moderada. Echar la mezcla de manzanas/especias sobre el fondo de tarta. Colocar la cobertura encima.

Instalar la cuchilla de metal. Poner el azúcar, la harina, la canela y la nuez moscada sal en el bol; procesar por 5 segundos. Dejar en el bol

½	taza (100 g) de azúcar granulada	3	cucharadas (15 g) de harina común
¾	cucharadita de canela en polvo	1 ½	cucharadita de nuez moscada rallada
2	libras (910 g) de manzanas, peladas y descorazonadas		

Preparar esta pizza no toma más tiempo que pedir una para llevar.

Pizza rápida

harina de maíz. Doblar la masa en cuatro para formar un triángulo. Colocar la punta del triángulo en el centro de la placa y desplegar la masa. Presionar la masa desde el centro hacia fuera y doblar el exceso sobre sí mismo para formar un borde. Seguir la receta de la pizza que desea preparar.

Rinde una pizza de 14 pulgadas (35 cm)

1 fonda de pizza de 14 pulgadas (35 cm)
 4 onzas (115 g) de queso Parmesano, a temperatura ambiente
 2 onzas (55 g) de pepperoni, cortado en 3 pedazos

12 onzas (340 g) de queso Mozzarella, helado
 1 cebolla pequeña, las extremidades cortadas planas

1 pimienta verde dulce mediana, cortadas planas
 1 tomate mediano, sin semillas y las extremidades cortadas planas

1 taza (235 ml) de salsa de tomate para pizza (receta a continuación)

1 pizza de azúcar granulada
 1/2 Pimienta negra recién molida
 1/2 cucharadita de albahaca seca
 1/2 cucharadita de orégano seco

Poner la rejilla del horno en la parte inferior del mismo y precalentar el horno a 425 °F (220 °C). Meter el fondo de pizza al horno por 6 minutos. Durante este tiempo, preparar el relleno.

Instalar la cuchilla de metal. Colocar el queso Parmesano y el pepperoni en el bol; procesar para picar grueso. Reservar.

Instalar el disco triturador; procesar la Mozzarella. Reservar.

Instalar el disco rebanador; rebanar la cebolla. Reservar. Rebanar la pimienta; reservar. Rebanar

Masa de pizza básica

aproximadamente 45 minutos. Quince minutos antes de hornear, precalentar el horno a 375 °F (190 °C). Meter al horno por 35–40 minutos, hasta dorarse. Desmoldar y dejar enfriar sobre una rejilla.

Pan de trigo integral: sustituir la mitad de la harina blanca por harina integral.

Esta receta rinde suficiente para preparar varias pizzas grandes o individuales.
 Rinde 1 pizza de 14 pulgadas (35 cm) o 2 pizzas de 9 pulgadas (22 cm)

1 paquete (2¼ cucharaditas) de levadura
 1 seca activa

1 cucharadita de azúcar granulada
 2/3 taza (160 ml) de agua tibia
 1¼ taza (210 g) de harina común
 ¾ cucharadita de sal kosher
 2 cucharaditas (10 ml) de aceite de oliva

1¼ cucharadas de harina de maíz

Mezclar la levadura, el azúcar y el agua tibia; dejar reposar por 5–10 minutos, hasta que la mezcla se ponga espumosa. Instalar la cuchilla de metal. Colocar la harina y la sal en el bol y encender la máquina. Agregar la mezcla de levadura por la boca de llenado y procesar por aproximadamente 45 segundos, hasta que la masa llegue a formar una bola pegajosa. Agregar el aceite de oliva por la boca de llenado y procesar por 60 segundos adicionales.

Si la mesa pega al bol, agregar harina. 1 cucharada a la vez; procesar por 10 segundos después de cada adición, hasta que la masa deje de pegar al bol pero siga suave.

Extraer la masa sobre una superficie enharinada para formar un disco (dar vuelta a la masa a menudo para que no se pegue). Si la masa es difícil de extraer, esperar unos minutos e intentar otra vez. Formar discos de 15 pulgadas (38 cm) para preparar pizzas de 14 pulgadas (35 cm), o de 25 cm para preparar pizzas de 9 pulgadas (22 cm).

Acetar la placa para pizza y espolvorear con

en el molde enmantecado, el lado cortado apuntando hacia arriba, y dejar leudar al doble de su volumen.
 Quince minutos antes de hornear, precalentar el horno a 375 °F (190 °C).
 Meter al horno por 20–25 minutos, hasta que esté dorado y burbujeante. Servir tibio.

Pan blanco

Usamos harina común con excelentes resultados.

Rinde 2 barras de 1 libra (455 g)

1 paquete (2¼ cucharaditas) de levadura

seca activa

¾ taza (80 ml) de agua tibia

2 cucharaditas de azúcar granulada

4 tazas (500 g) de harina común

3 cucharadas (45 g) de mantequilla sin

sal, en pedacitos cubitos

1½

cucharadita de sal kosher

1 taza (235 ml) de agua helada

Acetite vegetal para engrasar los

molde

Revolver la levadura y el azúcar con agua tibia

en una taza de medir grande y dejar fermentar

por 5–10 minutos. Instalar la cuchilla de metal.

Poner la harina, la mantequilla y la sal en el bol;

procesar por 20 segundos. Agregar el agua

helada a la mezcla de levadura.

Encender la máquina y agregar lentamente el

líquido por la boca de llenado, asegurándose de

que la harina absorba el líquido antes de echar

más. Cuando la masa llegue a formar una bola,

procesar por 60 segundos adicionales.

Dar forma de bola a la masa y ponerla en una

bolsa de hermética ligeramente enharinada.

Expulsar el aire y cerrar la bolsa, dejando

suficiente espacio para que la masa pueda leudar.

Dejar leudar al doble de su volumen, durante

1–1½ hora.

Aplastar para desinflar y formar dos barras.

Colocar cada barra en un molde de barra de

6 tazas (1,4 L). Cubrir sin apretar con papel

film/plástico acetinado y dejar leudar al doble

de su volumen en un lugar templado por

1 nuevo grande

1 cucharadita de extracto natural de

vainilla

3 tazas (375 g) de harina común

4 cucharadas (55 g) de mantequilla, en

pedazos

½ cucharadita de sal kosher

2 cucharadas (30 g) de mantequilla sin

sal, derretida

Relleno

¾ taza llena (135 g) de azúcar rubio

½ taza (50 g) de dátiles, en pedazos

½ taza (50 g) de mitades de pacana

1 cucharadita de canela en polvo

Disolver la levadura y 1 cucharada del azúcar en

el agua tibia, en una taza de medir grande. Dejar

la mezcla reposar hasta que se vuelva espumosa.

Poner la crema agria, la leche, el huevo y la

vainilla en un tazón y batir la mezcla; agregar a la

mezcla de levadura.

Instalar la cuchilla de metal. Colocar la harina,

el bol; procesar por 10 segundos. Sin apagar

la máquina, agregar lentamente la mezcla de

levadura por la boca de llenado, asegurándose

de que la harina absorba el líquido antes de echar

más. Después de que la masa llegue a formar una

bola, procese por 40 segundos adicionales.

Dar forma de bola a la masa y ponerla en una

bolsa de hermética ligeramente enharinada.

Expulsar el aire y cerrar la bolsa. Dejar leudar al

doble de su volumen, durante aproximadamente

1 hora.

Estirar la masa sobre una superficie ligeramente

enharinada para formar un rectángulo de 20 x 12

pulgadas (50 x 30 cm). Cepillar con 1 cucharada

de la

mantequilla derretida. Con el resto de la

mantequilla, engrasar un molde de 9 x 13

pulgadas (22 cm x 32 cm).

Colocar el azúcar moreno, los dátiles,

las pacanas y la canela en el bol de la

procesadora; procesar por aproximadamente 45

segundos para picar grueso. Espacir el relleno

sobre la masa. Enrollar la masa a lo largo para

formar un rollo largo.

Usando un cuchillo afilado, cortar el rollo en

rodajas de ¾ pulgada (2 cm). Colocar las rodajas

4	cucharadas (55 g) de mantequilla sin sal
1	taza (125 g) de harina de maíz amarilla
1	taza (125 g) de harina común
2	cucharadas (25 g) de azúcar granulada
2	cucharada de polvo de hornear
1/4	cucharadita de bicarbonato de sodio
1/4	cucharadita de sal kosher
1 1/3	taza (325 g) de suero de leche ("buttermilk")
2	huevos grandes
1/2	taza (50 g) de maíz fresco, congelado o enlatado

Precalentar el horno a 425°F (220 °C). Derretir la mantequilla en un molde de 9 x 9 pulgadas (22 x 22 cm). Engrasar los lados y el fondo del molde con mantequilla. Reservar.

Instalar la cuchilla de metal. Poner los ingredientes secos en el bol; procesar por aproximadamente 10 segundos para mezclar. Agregar la mantequilla derretida, el suero de leche y los huevos; procesar por aproximadamente 5 segundos para mezclar. Raspas el bol, agregar el maíz y revolver suavemente.

Echar la mezcla en el molde. Meter al horno por aproximadamente 25 minutos, hasta que un probador introducido en el centro salga limpio.

Para preparar "muffins": echar la mezcla en moldes para "muffins" engrasados, llenando estos hasta los 3/4. Hornear en 425 °F (220 °C), durante aproximadamente 25 minutos. Rinde 8 "muffins".

"Coffee cake"

Este bizcocho es perfecto para el desayuno o el desayuno-almuerzo. También es una excelente manera de terminar un almuerzo o una cena.

Masa

1	paquete (2 1/4 cucharaditas) de levadura seca activa
2	cucharadas de azúcar granulada
1/4	taza de agua tibia
1/3	taza (80 ml) de crema agria
1/4	taza (60 ml) de leche fría

Instalar la cuchilla de metal. Poner la harina, la mantequilla y la sal en el bol; procesar por aproximadamente 8 segundos, hasta obtener una consistencia parecida a la de una harina gruesa. Agregar el agua helada, una cucharada a la vez, y pulsar hasta que se empiece a formar una masa. No permitir que la masa forme una bola. Dividir la masa en tres porciones iguales y colocar cada porción en una bolsa hermética. Aplastar la masa para formar un disco plano. Refrigerar por 1 hora o más.

Estirar la masa con un rodillo sobre una superficie ligeramente enharinada para formar un círculo de 1/2 pulgada (3 mm) de espesor. Comprimir la masa en el fondo del molde. Cortar la masa todo alrededor del molde, dejando un exceso de medio dedo. Doblar el exceso de masa por debajo y acanalar el borde con los dedos. Pinchar el fondo de tarta con un tenedor y refrigerar por 30 minutos, o hasta que esté firme.

Quince minutos antes de hornear, precalentar el horno a 400 °F (200 °C).

Cubrir la masa con papel sulfurizado y llenar parcialmente con arroz crudo o frijoles secos. Meter al horno por 12 minutos. Quitar el papel y los frijoles (o el arroz). Meter al horno por 6 minutos adicionales, o hasta dorarse ligeramente. Dejar enfriar sobre una rejilla.

Tarta de frutas: Usar un molde de tarta de pared recta de 9 pulgadas (22 cm). Cocer el fondo de tarta de acuerdo con las instrucciones. Cuando este cocido, desmoldar el fondo de tarta y llenarlo con 1 taza (235 ml) de crema pastelera (receta en la página 27). Cubrir con rodajas de frutas frescas (kiwi, duraznos, frambuesas, etc.).

PANES/BIZCOCHOS IN LEVADURA, PANES DE LEVADURA Y PIZZA

Pan de maíz

Esta pan de maíz particularmente húmedo y lleno de sabor es mejor tibio.

Calentar la crema a fuego medio, en una cacerola pequeña, *justo* hasta que empiece a hervir. Instalar la cuchilla de metal. Colocar las yemas, el azúcar, la vainilla y la harina en el bol; procesar por unos segundos para mezclar. Sin apagar la máquina, agregar lentamente la leche caliente en la boca de llenado. Regresar la mezcla en la

1 ¼	taza (295 ml) de leche entera
2	yemas de huevo grande
¼	taza (50 g) de azúcar granulada
½	cucharadita de extracto natural de vainilla
3	cucharadas (20 g) de harina común
2	cucharadas (30 g) de mantequilla sin sal, a temperatura ambiente

Rinde 1 ½ taza (355 ml)

Espaza aproximadamente una taza (235 ml) de esta crema en un fondo de tarta cocido de 9 pulgadas (22 cm) y dispónega frías frescas encima.

Crema pastifera

Salsa tártara: triplicar la cantidad de jugo de limón, una vez lista la mayonesa, agregar los ingredientes siguientes: 3 pepinillos pequeños, ¼ cebolla pequeña, 1 cucharada de alcaparras, 1 cucharada de salsa de rábano picante y 3 gotas hasta que los pepinillos y la cebolla estén finamente picados.

Mayonesa con hierbas: agregar ¼ taza llena (10 g) de hierbas verdes frescas (por ej. perejil, eneldo y estragón, sin tallos).

Instalar la cuchilla de metal. Colocar la mezcla de yemas en el bol. Cerrar la tapa. Encender la máquina y verter la mitad del aceite en el empujador (el aceite goteará del empujador, creando una emulsión). Cuando el empujador esté vacío, agregar el resto del aceite. A medida que la mezcla se espese, el sonido de la máquina cambiará; esto es normal. Colocar la mayonesa en un recipiente, tapar y refrigerar hasta el momento de usar. Se conservará en el refrigerador por 2–3 días.

constantemente, hasta que aparezcan burbujas en 1–2 sitios (no permitir que los huevos se cuezan). Retirar del fuego y meter en el baño de hielo; revolver para enfriar.

Masa de hojaldre básica

MASAS

Variación con menta: agregar 1 cucharada de extracto de menta, “crème de menthe” o “schnapps” de menta al agua después de calentarla.

Instalar la cuchilla de metal en el bol; agregar el chocolate y el azúcar y pulsar aproximadamente 6 veces para picar grueso. Luego, procesar durante aproximadamente 60 segundos, hasta que el chocolate esté muy finamente picado. Sin apagar la máquina, agregar el agua caliente por la boca de llenado. Procesar por aproximadamente 45 segundos, hasta que el chocolate esté derretido, parando una vez para raspar el bol.

5	onzas (140 g) de chocolate semidulce, en trocitos
¼	taza (50 g) de azúcar superfino
½	taza (80 ml) de agua muy caliente

Rinde aproximadamente 1 taza (235 ml)

chocolate primero!

!Esta deliciosa salsa de chocolate lista en tan solo un minuto, y sin tener que derretir el

Salsa de chocolate

cacerola y seguir cociendo, batiendo, hasta que hierva. Reducir el fuego y seguir cociendo a fuego lento por 2 minutos, sin dejar de batir. Retirar del fuego y agregar la mantequilla. Dejar entibiar antes de usar.

Rinde 3 fondos de tarta de 9 pulgadas (22 cm)

Esta masa de hojaldre básica es ideal para la mayoría de las tartas y quiches.

2%	taza (290 g) de harina común
1	taza (225 g) de mantequilla sin sal, en pedacitos
1	cucharadita de sal kosher
½	taza (120 ml) de agua helada

Picadillo de naranja- arándanos agris sin cocinar

Esta receta requiere solo 1 taza (200 g) de azúcar para endulzar 1 libra (455 g) de arándanos agris (la mayoría de los picadillos llevan el doble).

Rinde 1¼ taza (415 ml)

2 tazas (250 g) de arándanos agris frescos
½ naranja, con piel, cortada en cuartos
½ taza (100 g) de azúcar granulada

Instalar la cuchilla de metal. Poner las frutas en el bol; pulsar 8–10 veces para picar grueso. Agregar el azúcar y procesar por aproximadamente 20 segundos para mezclar. Conservar en el refrigerador.

Salsa mexicana

Esta sabrosa es perfecta para acompañar tantos tacos como pescado o pollo asados. Cómasela fresca, ya que suele ponerse amarga al día siguiente.

Rinde 2⅔ tazas (625 ml)

2 jalapeños, cortados a la mitad y sin semillas
½ taza llena (15 g) de hojas de cilantro*
1 cucharada (15 ml) de jugo de lima/limón verde fresco
¼ cucharadita de sal kosher
5 tomates medianos, sin semillas, en cuartos
1 cebolla mediana

Instalar la cuchilla de metal. Poner los pimientos y el cilantro en el bol; procesar por aproximadamente 20 segundos, hasta que estén finamente picados. Raspar el bol. Agregar el jugo de limón y la sal; pulsar 2 veces para mezclar.

Agregar los tomates y la cebolla; pulsar 10–12 veces para picar grueso.

Poner en un cuenco para servir. Revolver y servir dentro de 1–2 horas.

Salsa de frambuesa

Perfecta para acompañar helado, sorbete o pastel. Puede sustituir las frambuesas por fresas si desea.

Rinde 1 taza (235 ml)

10 onzas (295 g) de frambuesas congeladas, descongeladas
1 cucharada (15 g) de miel

Instalar la cuchilla de metal. Colocar las frambuesas y la miel en el bol; procesar por 30 segundos. Colocar la mezcla en un colador de malla fina, encima de un tazón. Presionar la mezcla a través del colador con la parte de atrás de una cuchara; tirar las semillas. Servir a temperatura ambiente o calentar ligeramente y servir con helado.

Mayonesa

Añadir el aceite muy lentamente es esencial para que la mayonesa se emulsione. El truco en el fondo del empujador grande permite agregar el aceite a la velocidad ideal, para resultados perfectos. Para variar, agregue vinagre saborizado o hierbas secas.

Rinde 1¼ taza (295 ml)

(esta receta puede duplicarse con facilidad)

2 yemas de huevo grande
2 cucharadas (30 ml) de vinagre de vino blanco o de jugo de limón fresco
2 cucharadas (30 ml) de agua
1 cucharadita de azúcar granulada
1 cucharadita de mostaza seca
½ cucharadita de sal kosher
¼ cucharadita de pimienta blanca recién molida

1 taza (235 ml) de aceite vegetal sin sabor

Preparar un baño de hielo poco profundo. Colocar las yemas, el vinagre (o el jugo de limón), el azúcar, la mostaza seca, la sal y la pimienta en un sartén pequeño; revolver con un batidor. Cocer a fuego muy lento, revolviendo

* También puede usar perejil de hoja plana.

Cortar la zanahoria transversalmente a la mitad. Sacar el corazón de la col y cortarla en pedacitos. Instalar el disco triturador y rallar la zanahoria, usando presión firme. Instalar el disco rebanador y rebanar la col, usando presión firme. Colocar el contenido del bol en un cuenco y revolver. Probar y ajustar la sazón al gusto. Servir inmediatamente o refrigerar por hasta 24 horas. Antes de servir, escurrir el líquido y ajustar la sazón. Servir helado.

Ensalada de zanahoria rallada

El color vibrante de las zanahorias y de las arvejas hace de esta ensalada fresca y simple una adición agradable a un buffet de fiesta.

Rinde 8 porciones

2	libras (910 g) de zanahorias jóvenes
3	cebollitas ("scallions") grandes, en
1/4	trocitos
1/4	taza (60 ml) de jugo de limón fresco
1/4	taza (60 ml) de aceite vegetal
1	cucharadita de sal kosher
1	cucharadita de azúcar granulada
1	pizca de pimienta de Jamaica en polvo
1	pizca de canela en polvo
1/2	Pimienta negra recién molida
1/2	taza (65 g) de arvejas frescas o congeladas

Cortar las zanahorias para que quepan horizontalmente en la boca de llenado. Ponerlas a hervir en agua salada durante 3–5 minutos, hasta las pueda perforar con la punta de un cuchillo afilado. Escurrir y pasar por agua fría. Una vez frías, secarlas con papel absorbente. Instalar la cuchilla de metal; procesar las cebollitas hasta que estén finamente picadas. Agregar el jugo de limón, el aceite, la sal, el azúcar, la pimienta de Jamaica, la pimienta canela y la pimienta; procesar por 3 segundos. Dejar el aderezo en el bol.

Instalar el disco triturador. Colocar las zanahorias horizontalmente en la boca de llenado y rallarlas, usando presión moderada. Colocar el contenido del bol en un cuenco. Agregar las arvejas y revolver suavemente. Servir.

Pesto

SALSAS

Salsa italiana clásica para pasta. Una taza de pesto es suficiente para aderezar 1 libra (455 g) de pasta. También acompaña deliciosamente las papas cocidas y las sopas.

Rinde 1 1/2 taza (315 ml)

4	onzas (15 g) de queso Parmesano
4	importado
	a temperatura ambiente, en cubos
4	dientes de ajo pequeños
2 1/2	tazas (160 g) llenas de hojas de albahaca
1/2	taza (45 g) de piñones
3/4	cucharadita de sal kosher
1/3	taza (80 ml) de aceite de oliva

Instalar la cuchilla de metal; procesar el queso y el ajo por aproximadamente 30 segundos

para picar. Agregar el resto de los ingredientes, excepto el aceite, y pulsar 8 veces para

mezclar Encender la máquina y agregar el

aceite por la boca de llenado. Procesar por 10

segundos. Raspar el bol y seguir procesando por aproximadamente 20 segundos, hasta obtener una mezcla suave.

Usar inmediatamente, conservar en el refrigerador durante hasta 5 días o congelar. Nota: si piensa congelar el pesto, prepararlo sin queso y añadir este justo antes de servir.

frío o a temperatura ambiente. Probar y ajustar la sazón al gusto antes de servir.

Zanahorias y calabacines rallados

1
sin semillas y las extremidades
cortadas planas
lechuga romana mediana, lavada

Los vegetales rallados se cuecen tan rápido que conservan su sabor natural y su textura.

Rinde 4 porciones

3 zanahorias medianas, peladas

2 calabacines ("zucchini"), medianos

1/4 taza (55 g) de mantequilla sin sal

Sal kosher

1/2 Pimienta recién molida, a gusto

1/2 cucharadita de estragón fresco picado

(o 1/4 cucharadita de estragón seco)

Cortar las zanahorias y los calabacines para que

quepan horizontalmente en la boca de llenado.

Rallar, usando el disco triturador.

Derretir la mantequilla a fuego medio-alto, en un

sartén grande.

Agregar los vegetales rallados, la sal y la

pimienta. Tapar y cocer por 2–3 minutos, hasta

que estén crujientes.

Sazonar con estragón.

ENSALADAS

Ensalada de tomates en cama de lechuga

Todos los elementos de esta ensalada pueden ser preparados con su procesadora.

Rinde 6 porciones

1/4 taza (15 g) de hojas de perejil

1 cholate mediano, pelado

1 1/2 cucharada (20 ml) de vinagre de vino

tinto

4 1/2 (65 ml) cucharadas de aceite vegetal

1/2 cucharadita de mostaza de Dijon

1/2 cucharadita de azúcar granulada

1/2 cucharadita de sal kosher

4 Pimienta negra recién molida

tomates medianos, maduros pero firmes,

La ensalada de col está lista en minutos cuando no tiene que rebanar la col a mano.

Rinde 5 tazas (1.2 L)

Ensalada de col cremosa

absorbente entre las recetas es suficiente.

En muchos casos, limpiar el bol con papel

menos ingredientes líquidos/frescos primero.

con el aparato, prepare los platos que requieran

pedazos de 1 onza (30 g) de cebolla

1/3 taza (80 ml) de mayonesa

1/2 cucharada de vinagre de vino tinto

1/4 cucharadita de sal kosher

1/4 cucharadita de pimienta negra recién

molida

1/2 zanahoria grande

1/2 col verde mediana

1/4 taza (15 g) de hojas de perejil

1 pedazos de 1 onza (30 g) de cebolla

1/3 taza (80 ml) de mayonesa

1/2 cucharada de vinagre de vino tinto

1/4 cucharadita de sal kosher

1/4 cucharadita de pimienta negra recién

molida

1/2 zanahoria grande

1/2 col verde mediana

Salsa tártara (receta en la página 27)
Precalentar el horno a 375 °F (190 °C). Cortar las rebanadas de pan en pedazos y procesar por aproximadamente 40 segundos, usando la cuchilla de metal, hasta conseguir migajas finas. Reservar un cuarto de las migajas y poner el resto en un molde para tarta.

Encender la máquina, echar el ajo en la boca de llenado y procesar por aproximadamente 10 segundos, hasta que este finalmente picado. Agregar la cebolla y procesar por aproximadamente 10 segundos, hasta que este finalmente picada. Derretir la mantequilla a fuego medio, en un sartén mediano. Agregar la mezcla de ajo/cebolla y cocer, revolviendo, por aproximadamente 10 minutos, hasta que estén bien dorados.

Instalar la cuchilla de metal. Procesar el perejil por aproximadamente 5 segundos, hasta que este finalmente picado. Agregar la mezcla de cebolla, la carne de cangrejo, la mayonesa, el huevo, el jugo de limón, la sal y el pan rallado reservado; pulsar aproximadamente 8 veces para mezclar. Formar croquetas de 1½ pulgada (4 cm) de diámetro y de aproximadamente ½ onza (15 g). Rebozar con el pan rallado reservado y disponer sobre una placa para horno engrasada con mantequilla. Nota: la mezcla puede conservarse en el refrigerador durante hasta 4 horas. Meter al horno por 10–15 minutos, hasta dorarse. Servir con la salsa tártara.

Puré de papas

El disco triturador es perfecto para "majar" las papas. Tenga cuidado de no sobreprocesar el puré.

Rinde 4 porciones

¼	taza (60 ml) de leche entera caliente
2	cucharadas (30 g) de mantequilla, en pedazos
½	cucharadita de sal kosher
1	pimienta negra recién molida
3	papas grandes, peladas, cocidas en agua
	y escurridas

Colocar todos los ingredientes excepto las papas en el bol e instalar el disco triturador. Colocar las papas en la boca de llenado grande y procesar. Dejar en el bol. Retirar el disco triturador e instalar la cuchilla de metal. Pulsar 2–3 veces, hasta que el líquido esté absorbido. Tenga cuidado de no procesar demasado la mezcla, o el puré tendrá una textura pegajosa.

Para preparar puré de papas ligero, utilice el accesorio batidor opcional (DLC-855).

Gratén de papas

Este elegante plato puede prepararse fácilmente con papas al horno o cocidas.

Rinde 8 porciones

3	onzas (85 g) de queso Gruyère, en cubos
2	dientes de ajo
1	cebolla mediana, en cuartos
2½	tazas (590 ml) de leche o de crema líquida "half-and-half" (mitad leche/mitad crema)
1	cucharadita de sal kosher
1	pimienta blanca recién molida
3	papas grandes, peladas y con las extremidades cortadas rectas

Precalentar el horno a 400°F (200 °C). Engrasar una fuente de 2 cuartos de galón (1.9 L) con mantequilla. Instalar la cuchilla de metal y picar el queso hasta que esté finamente rallado. Reservar. Encender la máquina, echar el ajo y la cebolla en la boca de llenado y procesar hasta que estén finamente picados. Colocar la mezcla de cebolla/ajo, la leche, la sal y la pimienta en una cacerola mediana.

Instalar el disco triturador y rallar las papas, una a la vez, usando presión firme. Agregar las papas trituradas a la cacerola y cocer a fuego medio-alto hasta que la mezcla empiece a hervir, revolviendo continuamente.

Repartir en el molde y esparcir el queso encima. Meter al horno por 25 minutos, o hasta que las papas estén suaves y que el queso esté dorado. Deje reposar por 10 minutos antes de servir.

Agregar los frijoles y seguir cociendo hasta que estén calientes.

Servir con queso Cheddar o Monterey Jack

rallado si desea.

Salteado de pollo con vegetales

Cortar los ingredientes con la procesadora de alimentos y luego saltearlos es la manera más efectiva de preparar una comida rápidamente.

Rinde 8 porciones

3 libra (1.4 kg) de pechugas de pollo,

2 deshuesada y sin piel

2 pimientos dulces rojos, sin semillas,

8 cortados verticalmente en 3 pedazos

8 cebolletas ("scallions"), cortadas para

caber horizontalmente en la boca de

llenado

3 calabacines ("zucchini"), cortados para

caber horizontalmente en la boca de

llenado

1 calabacín amarillo, cortado para caber

horizontalmente en la boca de llenado

½ taza (120 ml) de agua

3 cucharadas (45 ml) de jerez seco

3 cucharadas (45 ml) de salsa de soja

1 cucharada (15 ml) de aceite de sésamo

¼ cucharadita de pimienta negra recién

molido

1 cucharada de maicena

1 diente de ajo

1 trozo de 1 pulgada (2.5 cm) de jengibre,

¼ taza (60 ml) de aceite vegetal

1 peñado

Cortar las pechugas de pollo longitudinalmente

a la mitad. Meter las extremidades por debajo

para formar formas compactas del mismo

espesor. Envolver individualmente en plástico

y congelar hasta que estén duras al tacto, pero

lo suficientemente suaves como para poder

perforarse fácilmente con la punta de un cuchillo

afilado.

Instalar el disco rebanador. Colocar los pimientos

usando presión leve. Colocar las cebolletas

Instalar el disco triturador. Rallar los calabacines,

usando presión leve. Reservar.

Instalar la cuchilla de metal. Colocar el agua, el

jerez, la salsa de soja, el aceite de sésamo, la

pimienta y la maicena en el bol; procesar durante

15 segundos, hasta obtener una mezcla suave.

Reservar.

Picar el ajo y el jengibre;

dejarlos en el bol. Instalar el disco rebanador

medio. Colocar el pollo verticalmente en la boca

de llenado, apretando los pedazos. Rebanar,

usando presión firme. Dejarlo en el

bol. Calentar el aceite a fuego medio, en un

sartén. Agregar el pollo y cocer, revolviendo

energicamente, por 3–5 minutos, hasta que pierda

completamente su color rosado.

Agregar los vegetales y saltear a fuego medio-alto

por aproximadamente 2 minutos, hasta que estén

crujientes-tiernos. Agregar la mezcla de salsa de

soya y cocer, revolviendo, por aproximadamente

1 minuto, hasta se espese. Servir con arroz

integral o arroz blanco.

Croquetas de cangrejo

Estas delicadas croquetas de cangrejo son

perfectas para acompañar un aperitivo. Si se

siente de humor festivo, sustituya la mitad del

cangrejo por langosta cocida.

Rinde 54 croquetas de cangrejo de ½ onza (15 g)

4 rebanadas de pan blanco, ligeramente

tostadas

1 diente de ajo

1 cebolla pequeña, en cuartos

1 cucharada (15 g) de mantequilla sin sal

1 cucharada de hojas de perejil

1 libra (455 g) de carne de cangrejo,

revisada cuidadosamente para

quitar los pedacitos de cartilago

¼ taza (60 ml) de mayonesa

1 huevo grande

1 cucharada (15 ml) de jugo de limón

1 fresco

¼ cucharadita de sal kosher

Este plato versátil les encanta a los niños. Puede usarlo sobre perritos calientes, en tacos o como asl. Podrá conservarse durante hasta 6 meses en el congelador.

Rinde 4½ tazas (1 L)

3	dientes de ajo
1	cebolla mediana, en cuartos
1	libra (455 g) de carne de res para guisar (por ejemplo, paleta), en cubos
1½	cucharadita de semillas de comino
2	cucharadas de aceite vegetal
2	cucharadas de Chile en polvo
2	cucharadas de páprika
1	cucharadita de sal kosher
¼	cucharadita de hojuelas de pimiento rojo
1	lata de 8 onzas (225 g) de tomates cocidos machacados
1	taza (235 ml) de agua
2	tazas (400 g) de frijoles pintos cocidos

Poner el ajo y la cebolla en el bol de la procesadora, equipado con la cuchilla picadora, y procesar durante 15 segundos para picar finamente. Reservar. Colocar la carne en el bol y pulsar 10–12 veces para picar grueso. Colocar el comino en una olla y dorarlo a fuego medio, moviendo la olla constantemente hasta que el comino empiece a echar humo (esto debería tomar aproximadamente 1 minuto). Reservar. Calentar el aceite a fuego medio, en la misma olla. Agregar el ajo y la cebolla; cocer por 2 minutos. Agregar la carne y cocer, revolviendo a menudo, por aproximadamente 5 minutos, hasta que pierda completamente su color rosado. Reducir el fuego. Agregar el comino, el Chile en polvo, la páprika, la sal, las hojuelas de pimiento rojo; cocer por 5 minutos, revolviendo de vez en cuando.

Colocar los tomates en el bol y pulsar dos veces para picar grueso. Agregar a la olla, tapar y cocer a fuego medio-alto hasta que empieza a hervir. Reducir el fuego y seguir hirviendo a fuego lento por 45 minutos, revolviendo ocasionalmente.

Rinde un pan de carne de 1½ libra (680 g)

Para un pan de carne más picante, agregue unas gotas de salsa picante y una cucharadita de salsa Worcestershire.

Pan de carne

1	cebolla pequeña, en cuartos
¼	taza (30 g) de hojas de perejil
1½	rebanada de pan del día anterior, en pedazos
1½	libra (680 g) de paleta de res deshuesada, en pedazos*
3	cucharadas de leche*
1	cucharadita de sal kosher
¼	cucharadita de tomillo seco
1	huevo grande

Precalentar el horno a 375 °F (190 °C). Colocar todos los ingredientes excepto el huevo en el bol y pulsar 4–6 veces para picar. Luego, procesar continuamente hasta que esté finamente picado. Agregar el huevo y pulsar 4–5 veces, o hasta obtener la consistencia deseada, teniendo cuidado de no sobreprocesar. Colocar la mezcla en el molde y meter al horno por 40–50 minutos, hasta que esté cocido.

*Si desea, puede variar los ingredientes, usando una mezcla de res, ternera y cerdo, o sustituyendo la leche por jugo de tomate.

Para preparar albóndigas: formar bolas de 2 cucharadas de la mezcla, disponerlas en una bandeja y meter al horno por 25 minutos.

Sopa de arvejas partidas

Perfecta para un almuerzo o una cena de familia.

3%	libra (340 g) de arvejas partidas
1	diente de ajo
3%	de cebolla grande, en cuartos
1	libra (455 g) de jarretes de cerdo ahumado
5¼	tazas (1.25 L) de agua
2	zanahorias medianas, peladas
1	rama de apio grande
1	papa mediana, pelada
	Sal kosher
	Pimiento negro recién molido

Rinde 6 tazas (1.4 L)

Sopa de lentejas

Sirva esta sustanciosa sopa con pan crujiente y ensalada para una comida completa.

8	onzas (225 g) de lentejas
1	diente de ajo
½	cebolla pequeña, partida a la mitad
½	rama de apio mediana, en trozos
½	zanahoria mediana, pelada y cortada en trozos
2	tomates medianos, en cuartos
2½	tazas (590 ml) de caldo de res
2½	tazas (590 ml) de agua
2	cucharaditas de vinagre de vino blanco
½	cucharadita de páprka
½	cucharadita de sal kosher*
½	cucharadita de pimienta negra recién molido
1	pizca de tomillo seco
½	libra (225 g) de salchicha Kielbasa u otra salchicha ahumada

Rinde 6 tazas (1.4 L)

Lavar las lentejas en agua fría, escurrirlas y colocarlas en una cacerola grande. Instalar la cuchilla de metal. Poner el ajo, la cebolla y la zanahoria en el bol y procesar hasta que estén finamente picados. Agregar a la cacerola. Colocar los tomates en el bol; pulsar para picar fino. Agregar a la cacerola, junto con los ingredientes restantes, excepto la salchicha. Tapar y cocer a fuego medio por aproximadamente 1 hora. Congelar la salchicha por aproximadamente 30 minutos, hasta que esté dura al tacto, pero lo suficientemente suave como para poder perforarse fácilmente con la punta de un cuchillo afilado. Colar la sopa, reservando el líquido de cocción. Colocar los vegetales en el bol y procesar, usando la cuchilla de metal, para licuar. Regresar el líquido de cocción y el puré de vegetales en la cacerola; revolver para mezclar. Instalar el disco rebanador medio y rebanar la salchicha. Agregar la salchicha a la sopa y recalentar a fuego medio-lento, revolviendo de vez en cuando, por aproximadamente 20 minutos, hasta que la salchicha esté caliente. *Opcional, especialmente si usa salchicha salada.

Cortar las zanahorias para que quepan en la boca de llenado, y luego cortar cada pedazo boca de llenado, y luego cortar cada pedazo longitudinalmente a la mitad. Cortar que quepa en la boca de llenado, y luego cortar longitudinalmente a la mitad. Cortar las papas transversalmente a la mitad, y luego cortar cada mitad longitudinalmente. Instalar el disco rebanador medio. Colocar los vegetales verticalmente en la boca de llenado y rebanarlos, usando presión moderada a firme. Reservar. Instalar la cuchilla picadora. Colocar la mezcla de arvejas partidas en el bol y procesar por aproximadamente 15 segundos, hasta conseguir una mezcla suave. Regresar a la olla. Quitar la carne de los huesos, colocar los pedazos en el bol y pulsar 4-6 veces para picar. Agregar a la olla. Tapar y hervir a fuego lento hasta que la carne esté tierna, revolviendo de vez en cuando (esto debería tomar aproximadamente 20 minutos). Sazonar al gusto.

Louis Diat, el antiguo Chef del Hotel Ritz de Nueva York, hacía de esta sopa de todos los días en un plato digno de las mejores fiestas.

Sopa de puerro y papas/"Vichyssoise"

Instalar la cuchilla de metal. Poner el ajo y el jalapeño en el bol y procesar hasta que estén finamente picados. Agregar las cebolletas, el apio y el pimiento. Pulsar para picar en pedazos medios. Colocar los vegetales picados en un cuenco grande. Colocar un tomate en el bol y pulsar para picar grueso. Agregar al cuenco. Colocar el resto de los tomates en el bol; procesar por aproximadamente 1 minuto, hasta obtener una mezcla suave. Sin apagar la máquina, agregar ½ taza (120 ml) del jugo de tomate. Agregar al cuenco, junto con el resto del jugo de tomate. Instalar el disco rebanador. Colocar los pepinos verticalmente en la boca de llenado y rebanar, usando presión leve. Agregar al cuenco y revolver. Cubrir y refrigerar antes de servir.

Rinde 4 ½ tazas (1 L)	
1	diente de ajo pequeño
½	jalapeño pequeño, sin semillas y cortado a la mitad
4	cebolletas ("scallions", en trozos)
1	rama de apio, en trozos
½	pimiento dulce mediano, en 3 pedazos
2	tomates, sin semillas
2	tazas (475 ml) de jugo de tomate o de vegetales
1	pepino mediano, pelado, cortado longitudinalmente a la mitad y sin semillas
2	cucharadas de jugo de limón fresco
1	cucharadita de sal kosher
¼	cucharadita de pimienta negra recién molida

Esta refrescante sopa fría estará lista en menos de 10 minutos. Puede servir la inmediatamente, pero será aún mejor si la refrigera.

Gazpacho con pedazos

Rinde 4 tazas (945 ml) de sopa de puerro y papas o 6 tazas (1.4 L) de "Vichyssoise"

2 puerros medianos (parte blanca solamente), limpios

1 cebolla pequeña, partida a la mitad

1 cucharada (15 g) de mantequilla sin sal

2 papas medianas, peladas

1 ½ taza (355 ml) de caldo de pollo

1 taza (235 ml) de agua

Sal kosher y pimienta recién molida, a gusto

1 taza (235 ml) de leche

¼ taza (60 ml) de crema líquida para batir ("heavy cream")

Cebolinos ("chives") picados para decorar

Cortar el puerro en pedazos que quepan en la boca de llenado. Instalar el disco rebanador y rebanar el puerro y la cebolla. Derretir la mantequilla a fuego medio, en una cacerola grande. Agregar la mezcla de puerro/cebolla; saltear por aproximadamente 10 minutos, revolviendo a menudo, hasta que estén suaves pero sin permitir que se doren.

Cortar las papas transversalmente a la mitad y rebanarlas, usando el disco rebanador medio. Agregar las papas, el caldo y el agua a la cacerola. Cocer a fuego medio-alto hasta que la mezcla empiece a hervir. Reducir el fuego, tapar y hervir a fuego lento por aproximadamente 25 minutos, hasta que los vegetales estén muy tiernos. Probar y ajustar la sazón. Servir caliente como sopa o continuar según se indica a continuación para preparar "Vichyssoise".

Colar el líquido de cocción y reservarlo, en una cacerola grande. Colocar los vegetales en el bol de la procesadora equipado con la cuchilla de metal y procesar hasta obtener un puré, parando una vez para raspar el bol. Agregar el puré al líquido de cocción reservado, batiendo. Agregar la leche y calentar a fuego medio hasta que empiece a hervir, revolviendo constantemente. Retirar del fuego y agregar la crema. Sazonar con sal y pimienta. Refrigerar hasta que esté helada. Probar otra vez y ajustar la sazón si es necesario. Decorar con cebolinos picados.

Guacamole

Sirva esta sabrosa salsa con chips o vegetales crudos. Sustituya el cilantro por perejil si desea.

Rinde 2¼ tazas (500 ml)

1 diente de ajo grande
1 jalapeño, sin semillas y cortado a la

mitad

½ taza llena (15 g) de hojas de cilantro
1 cebolleta ("scallion") mediana (parte

blanca y medio dedo de la parte verde,

3 aguacates maduros

3 cucharadas de jugo de limón fresco

1 pizca de comino en polvo

¼ cucharadita de sal kosher

¼ cucharadita de Chile en polvo

1 tomate mediano, en cuartos y sin

semillas

Instalar la cuchilla de metal. Colocar el ajo, el

jalapeño, el cilantro y la cebolleta en el bol.

Procesar por aproximadamente 15 segundos,

hasta que estén finamente picados; raspar el

bol. Agregar el aguacate y los ingredientes

restantes, excepto los tomates. Procesar por

aproximadamente 1 minuto, raspando el bol si

es necesario, hasta obtener una mezcla suave.

Agregar el tomate y pulsar 6–8 veces para picar.

Probar y agregar sal si es necesario.

Crema para untar de queso azul y pacanas

Puede sustituir el queso crema o la mitad de este por requesón y las pacanas por nueces.

Rinde 1¼ taza (315 ml)

½ taza (35 g) de pacanas

8 onzas (225 g) de queso crema bajo en

grasa, en pedazos

3 cucharadas de queso azul

Instalar la cuchilla de metal. Poner las nueces en el bol y procesar por 10 segundos, hasta que

estén finamente picadas. Agregar el queso crema

y el queso azul. Procesar por aproximadamente

10 segundos, hasta obtener una mezcla suave (si

usa requesón, procesar por aproximadamente 90 segundos).

"Monedas" de queso

Estos aperitivos tiernos y llenos de sabor son fáciles de hacer y servir, y pueden refrigerarse o congelarse.

Rinde 100 "monedas" de queso

8 onzas (225 g) de queso Cheddar,

en cubos

4 onzas (115 g) de mantequilla sin sal,

a temperatura ambiente y en pedazos

¼ cucharadita de sal kosher

¼ cucharadita de salsa picante

1 taza (125 g) de harina común

Spray vegetal

Instalar la cuchilla de metal. Colocar el queso

en el bol y procesar por aproximadamente

30 segundos, hasta obtener una consistencia

parecida a la de una harina gruesa. Agregar la

mantequilla, la sal y la salsa picante. Procesar por

aproximadamente 60 segundos, raspando el bol

si es necesario, hasta obtener una mezcla suave.

Agregar la harina y procesar brevemente para

mezclar. Refrigerar la masa por 1 hora, hasta que

esté firme.

Dividir la masa en 3 porciones iguales y formar

un cilindro de 1½ pulgada (4 cm) de diámetro con

cada porción. Refrigerar por aproximadamente 2

horas, hasta que estén firmes.

Precalentar el horno a 400 °F (200 °C). Engrasar

un molde de 8 x 8 pulgadas (20 cm x 20 cm) con

spray vegetal. Cortar la masa en rodajas de ¼

pulgadas (3 mm) y colocar estas sobre una placa

para horno ligeramente engrasada, 1½ pulgada

(4 cm) aparte una de otra. Meter al horno por

aproximadamente 10 minutos, hasta que estén

ligeramente doradas. Retirar del horno y dejar

enfriar sobre una rejilla.

La masa cruda puede refrigerarse durante hasta

una semana, envuelta en plástico. Los aperitivos

cocidos pueden congelarse y recalentarse al

horno, en 300 °F (150 °C), durante 6–8 minutos.

CAPACIDAD DEL BOL

Capacidades recomendadas del bol

ALIMENTOS

CAPACIDAD

Fritas/vegetales picados 2 tazas (475 ml)

o puré de frutas/vegetales

Carne/pescado/ 1 ¼ libra (795 g)

picados o molidos

Masa de pan 2 libras (910 g)

4 tazas (500 g) de harina;

rinde 2 panes de 1 libra

(455 g)

Mantequilla de frutas secas 2 tazas (475 ml)

(por ejemplo maní)

Crema/nata (batida) 2 tazas (475 ml)

Fritas, vegetales o queso

rebanados/triturados

11 (475 ml)

Masa de pastel 3 libras (1.35 kg)

4 capas de 8 pulgadas

(20 cm)

Masa de galletas 2 ¼ libra (1.25 kg)

(65 galletas)

2 ¼ tazas (650 ml)

Líquido fluido

5 tazas (1.2 L)

Líquido espeso

ALIMENTOS

CAPACIDAD

Fritas/vegetales picados 2 tazas (475 ml)

o puré de frutas/vegetales

Carne/pescado/ 1 ¼ libra (795 g)

picados o molidos

Masa de pan 2 libras (910 g)

4 tazas (500 g) de harina;

rinde 2 panes de 1 libra

(455 g)

Mantequilla de frutas secas 2 tazas (475 ml)

(por ejemplo maní)

Crema/nata (batida) 2 tazas (475 ml)

Fritas, vegetales o queso

rebanados/triturados

11 (475 ml)

Masa de pastel 3 libras (1.35 kg)

4 capas de 8 pulgadas

(20 cm)

Masa de galletas 2 ¼ libra (1.25 kg)

(65 galletas)

2 ¼ tazas (650 ml)

Líquido fluido

5 tazas (1.2 L)

Líquido espeso

Aperitivos/Entradas

Guacamole 19

Crema para untar de queso azul y pacanas... 19

“Monedas” de queso 19

Sopas y cremas

Gazpacho con pedazos 19

Sopa de puero y papas/“Vichyssoise” 20

Sopa de lentejas 20

Sopa de arvejas 21

Carne, pollo y pescado

Pan de carne 21

Chile 22

Saltado de pollo con vegetales 22

Croquetas de cangrejo 23

Vegetales

Puré de papas 23

Gratin de papas 23

Zanahorias y calabacines rallados 24

Ensaladas

Ensalada de tomates en cama de lechuga 24

Ensalada de col cremosa 25

Ensalada de zanahoria rallada 25

Salsas

Pesto 25

Picadillo de naranja-arándanos agrios

sin cocinar 26

Salsa mexicana 26

Salsa de frambuesa 26

Mayonesa 26

Crema pastelera 27

Salsa de chocolate 27

Masas

Masa de hojaldre básica 27

Panes/bizcochos sin levadura, panes de levadura y pizza

Pan de maíz 28

“Coffee cake” 28

Pan blanco 29

Masa de pizza básica 29

Pizza rápida 30

Salsa de tomate para pizza 30

Postres

Tarta de manzana 30

“Brownies cremosos” 31

Galletas de avena con chipspas de

chocolate 31

Pastel de zanahoria 32

Baño de queso crema 32

Helado de yogur de pera 32

Sorbete de banana-manzana 33

Garantía 33

INFORMACIÓN TÉCNICA

El motor de su procesadora de alimento funciona con corriente estándar. Las especificaciones eléctricas del aparato están indicadas en la etiqueta debajo de la base.

Un interruptor de seguridad apagará automáticamente en motor en caso de sobrecalentamiento. Esto puede ocurrir cuando procesa mezclas espesas durante un tiempo prolongado o cuando usa el aparato sin interrupción durante un tiempo excesivo. Si esto ocurre, desconecte el aparato y permita que se enfríe por 10 minutos o más (hasta una hora en casos extremos).

Un mecanismo de seguridad impide que el aparato se ponga en marcha a menos que el bol y la tapa estén debidamente asegurados. El motor de la procesadora se apaga muy rápidamente después de apagar el aparato y se detiene automáticamente al sacar el juego de empujadores de la boca de llenado.

Los pies de goma de la base ayudan a mantener el aparato estable sobre la mayoría de las superficies durante el funcionamiento, incluso cuando procesa muchos ingredientes. Si los pies dejan marcas en la encimera, rocíe producto quitamanchas y limpie la zona con una esponja humedecida. Si esto no soluciona el problema, vuelva a limpiar la encimera con un limpiador en polvo no abrasivo.

Para limpiar el interior del adaptador removable para discos, deslice el botón de liberación hasta arriba y manténgalo en esta posición mientras enjuaga el interior.

IMPORTANTE: No guarde las cuchillas ni los discos sobre el árbol del motor. Instale la cuchilla o el disco en el momento de usarlos únicamente.

PARA SU SEGURIDAD

Su aparato, como todos los electrodomésticos, debe usarse con cuidado. Para prevenir los riesgos de herida resultantes de un mal uso, siga estas reglas de seguridad:

- ▶ Manipule la cuchilla de metal y los discos con sumo cuidado; sus filos son muy cortantes.
- ▶ Siempre coloque el disco sobre una superficie plana y estable antes de conectar el adaptador removable.
- ▶ Asegúrese de que el bol esté debidamente asegurado antes de instalar la cuchilla o el disco.

- ▶ Inserte la cuchilla o el disco completamente, lo más bajo que encaje.

- ▶ Siempre instale la cuchilla antes de agregar los ingredientes.

- ▶ Siempre use el empujador para empujar los alimentos; nunca introduzca los dedos o una espátula en la boca de llenado.

- ▶ Siempre espere hasta que la cuchilla o el disco estén totalmente inmóviles antes de abrir la tapa o retirar el empujador.

- ▶ Tenga cuidado de no dejar caer la cuchilla al vaciar el bol. Retire la cuchilla antes de vaciar el bol, o manténgala en su lugar con su dedo, una espátula o una cuchara.

- ▶ No utilice el juego de empujadores si la funda se separa del empujador. Comuníquese con

la posición de bloqueo; esto podría dañar el mecanismo de encendido/apagado.

Guardé los accesorios fuera del alcance de los niños. Las cajas de almacenaje (opcionales) permiten guardar los accesorios de manera segura y práctica.

Todas las piezas removibles son aptas para lavavajillas. Recomendamos que las lave en el nivel superior del lavavajillas únicamente. El intenso calor del agua en el nivel inferior del lavavajillas puede dañar el bol y la tapa. Ponga el bol al revés para evitar que se llene de agua durante el ciclo de lavado. Recuerde donde colocó la cuchilla y los discos y tenga cuidado al sacarlos del lavavajillas.

Le recomendamos que enjuague todas las piezas inmediatamente después del uso para evitar que los residuos de alimentos se sequen, lo que dificulta la limpieza. El orificio en el fondo del empujador grande permite que el agua escurra y facilita la limpieza. Si alimentos quedaron atrapados en el empujador, enjuague este en agua o limpielo con un cepillo para botella. Si desea lavar las cuchillas y los discos a mano, haga esto con mucho cuidado. No los deje en agua jabonosa, donde los pueda perder de vista. Para limpiar la cuchilla, llene el bol con agua jabonosa. Instale la cuchilla en el bol y sosteniéndola por el eje de plástico, muévela rápidamente y repetidamente desde arriba hasta abajo. También puede lavarla a chorro con la ducha del fregadero. Utilice un cepillo si es necesario.

MANTENIMIENTO

Cualquier otro servicio debe ser realizado por un técnico autorizado.

Algunos alimentos duros pueden rallar el bol. Es el caso del hielo, de las especias enteras y de algunos aceites como el aceite de gautier ("Wintergreën"). Si le gusta preparar sus propias mezclas de especias, es buena idea comprar otro bol solamente para esto.

La carcasa está hecha de un plástico duradero y resistente a impacto. El acabado lucirá nuevo durante años. Limpie la base con una esponja ligeramente humedecida durante el uso.

CÓMO REBANAR/TRITURAR/ RALLAR QUESOS

Quesos duros como el queso suizo y el queso Cheddar

Corte el queso en pedazos suficientemente pequeños como para caber en la boca de llenado. Cerciórese de que el queso esté helado (congelarlo por 5–10 minutos ayuda). Coloque los pedazos verticalmente en la boca de llenado y procese, empujando suavemente el empujador. **IMPORTANTE:** nunca intente rebanar queso suave como la Mozzarella o queso duro como el motor. La mayoría de los quesos pueden triturarse/rallarse, excepto los quesos suaves. Para triturar/rallar Mozzarella, deberá congelarla durante unos minutos primero. Los quesos duros deben estar a temperatura ambiente.

Por lo tanto, solamente triture/ralle Mozzarella helada y queso Parmesano a temperatura ambiente. De no ser así, no obtendrá buenos resultados y puede dañar la máquina.

TIPO DE QUESO PICAR RALLAR REBANAR

Queso	PICAR	RALLAR	REBANAR
Suave	si	no	no
<i>Brie, Camembert, Ricotta, Requesón, queso crema</i>	si	si	no
<i>Excepción: Mozzarella</i>	si	si	helado
Semisuave	si	si	no
<i>Queso azul, Fontina, Bel Paese</i>	si	helado	helado
Semiduro	si	si	si
<i>Cheddar, Monterey Jack</i>	si	helado	helado
<i>Suizo, Jarlsberg, Edam, Gouda, Provolone</i>	si	helado	helado
<i>Parmesano, Romano, Pecorino, Asiago</i>	si	si	temperatura ambiente
Duro	si	si	no

RESOLUCIÓN DE PROBLEMAS

La mayoría de los problemas son fáciles de solucionar. Aquí está algunos de los problemas más comunes y sus soluciones.

Los resultados no son uniformes

Procese menos ingredientes a la vez. Corte los alimentos en pedazos uniformes antes de procesarlos. Pulse varias veces, y luego procese continuamente.

Líquido está filtrándose por la cuchilla

Retire el bol de la base ni bien termine. No retire la cuchilla primero. Cuando retire el bol junto con la cuchilla, la cuchilla baja, formando un sello casi perfecto en el fondo del bol.

Líquido está filtrándose por la tapa

Ha agregado demasiado líquido. Nunca procese más de 2½ tazas (650 ml) de líquido fluido o 5 tazas (1.2 L) de líquido espeso. Cuanto más espeso el líquido, más puede procesar a la vez. Nota: las mezclas de pastel o de panqueque son consideradas como líquidos espesos.

Las rebanadas no son uniformes

Llene la boca de llenado con cuidado, según se describió en las páginas 12–14. Procese, ejerciendo presión uniforme.

Los alimentos no se mantienen rectos en la boca de llenado

Corte los alimentos en pedazos que quepan en la boca de llenado y tengan la misma altura. Para rebanar solamente uno o dos pedazos, coloque los alimentos en la boca de llenado pequeña. Parta las zanahorias longitudinalmente a la mitad e introduzca una mitad apuntando hacia abajo y la otra mitad apuntando hacia arriba.

Los alimentos rebanados o triturados se acumulan sobre las paredes del bol

Esto es normal. De vez en cuando, quite el disco y raspe el bol con una espátula. Cuando los alimentos procesados lleguen al nivel del disco, vacíe el bol.

Pedazos de alimentos permanecen encima del disco rebanador o rallador

Esto es normal. Mueva el empujador grande hacia arriba y abajo para terminar de rebanar/triturar/rallar los pedazos, o vuelva a posicionar los pedazos en la boca de llenado y rebánelos/tríturuelos/rállelos otra vez.

El queso suave, como la Mozzarella, se descompone y se queda encima del disco rallador

El queso no era lo suficientemente frío, o se ejerció demasiada presión sobre el empujador. Para triturar/rallar queso suave, no presione el empujador sino deje que el disco triture/ralle el disco, golpeteando el empujador para guiarlo.

LIMPIEZA, ALMACENAJE Y MANTENIMIENTO

Guarde su procesadora de alimentos sobre la encimera, para siempre tenerla lista. Desenchufe el aparato cuando no está en uso. No guarde el aparato con el juego de empujadores en

TÉCNICAS PARA

REBANAR/TRITURAR/RALLAR

Pequenas frutas/hortalizas redondas (fresas, rábanos, champiñones, etc.)

Corte ambos lados rectos. Introduzca la boca de llenado, el lado cortado hacia abajo. La boca de llenado podrá llenarse hasta 1 pulgada (2,5 cm) de la cumbre. Las primeras rodajas son perfectas para decorar. Si desea que todas las rodajas tengan exactamente el mismo espesor, procese una capa de frutas/hortalizas a la vez.

Frutas y vegetales largos (bananas, apio, calabacines, etc.)

Córtelas en pedazos si es necesario. Corte ambos lados rectos. Mida los pedazos con una regla o con el empujador antes de introducirlos en la boca de llenado. Posicione los pedazos verticalmente en la boca de llenado, apretujándolos para que no se muevan durante el procesamiento.

Pequenas cantidades

Introduzca los alimentos en el centro del empujador grande y empujelo con el empujador pequeño. Retire el empujador pequeño del empujador grande. Introduzca el empujador grande en la boca de llenado y presione la funda para sujetarlo. Asegúrese de que el empujador pequeño esté asegurado. Corte los alimentos en pedazos si es necesario. Si los alimentos son largos y finos (por ej. calabacines), cóloquelos lo más posible hacia la izquierda para que no se muevan. Si los alimentos son más ancho de un lado que de otro (por ej. zanahorias, apio o cebolletas), córtelos por la mitad y júntelos en pares de manera que cada lado tenga aproximadamente el mismo diámetro.

Habichuelas estilo francés

Corte las habichuelas por ambos lados para que quepan horizontalmente en la boca de llenado. Escaldelas en agua hirviendo salada por 60 segundos, y luego dóngalas inmediatamente en agua helada para detener la cocción. Una vez frías, escórralas y séquelas. Dispongalas horizontalmente en la boca de llenado, llenando esta hasta 1 pulgada (2,5 cm) de la cumbre. Utilice el disco rebanador medido de 4 mm. Asegúrese de que el empujador pequeño esté asegurado. PULSE, ejerciendo presión leve, para cortar las habichuelas en lonjas finas. Utilice el mismo método para triturar o cortar las zanahorias y los calabacines crudos en rodajas largas y oblicuas.

Juliana de frutas o de vegetales

Preparar una Juliana consiste en cortar las frutas

o los vegetales dos veces, para obtener tiras largas y muy delgadas. Introduzca las frutas o los vegetales (papas, nabos, calabacines, manzanas, etc.) horizontalmente en la boca de llenado.

Utilice el botón PULSE para cortarlas en rodajas. Obtendrá rodajas largas. Retire las rodajas del bol y vuelva a ensamblar la fruta o el vegetal. Introduzca las rodajas (juntas) verticalmente en la boca de llenado. Rebánelas otra vez. Obtendrá tiras largas y delgadas. Para hacer Juliana de frutas/vegetales en un paso, utilice el disco para cortar en Juliana (opcional).

CÓMO REBANAR CARNE/POLLO

Carne/pollo cocinados

La carne debe estar muy fría. Corte la carne en pedazos si es necesario. Para preparar Juliana de jamón o mortadela, enrollé varias lonchas juntas y coloque cuantos más rollos posible verticalmente en la boca de llenado. Para obtener resultados óptimos, utilice lonchas cuadradas o rectangulares.

Carne/pollo crudos

Corte los alimentos en pedazos suficientemente pequeños como para caber en la boca de llenado. Por lo general, deberá cortar las pechugas transversalmente por la mitad. Envuelva los pedazos en papel film/plástico y dóngalos en el congelador. Una vez semi-congelada (está dura al tacto, pero se puede pinchar fácilmente con la punta de un cuchillo afilado), la carne está lista. Coloque los pedazos verticalmente en la boca de llenado, el lado cortado abajo, y rebánelos **en contra de grano**, ejerciendo presión firme. O coloque los pedazos horizontalmente en la boca de llenado y rebánelos **en dirección del grano**, ejerciendo presión firme.

Salchichas, salami, etc.

Congele las salchichas tiernas hasta que estén duras al tacto, pero lo suficientemente suaves como para poder perforarse fácilmente con la punta de un cuchillo afilado. No es necesario congelar las salchichas duras. Si es delgada, introduzca la salchicha en el centro del empujador grande. En el caso contrario, córtela en pedazos suficientemente pequeños como para caber en la boca de llenado. Disponga los pedazos verticalmente en la boca de llenado, apretujándolos para que no se muevan durante el procesamiento.

PREPARACIÓN DE LOS ALIMENTOS PARA REBANAR/TRITURAR/RALLAR

Frutas y vegetales redondos (cebollas,

manzanas, etc.)

Corte la parte interior de la fruta o del vegetal

para que repose recta sobre el disco.

Introduzca la fruta o el vegetal en la boca de

llenado, en lado cortado primero, y lo más posible hacia la izquierda para que no se mueva durante el procesamiento.

Ella frutas maduras, pero firmes. Siempre saque las colas, pepas, huesos y semillas antes de procesar. No es necesario quitar las pepas de los

críticos. Tampoco es necesario pelarlos.

Para cortar pimientos dulces en rodajas:

Quite el tallo y corte el lado del tallo recto. Quite el

el corazón y las semillas con una cuchara. No

corte el otro lado del pimiento; esto producirá

rodajas más redondas y uniformes.

Frutas grandes (pina, melón, etc.)

Corte la fruta por la mitad y retire el corazón o

las pepas. Corte cada mitad en pedazos más

pequeños si es necesario. Corte la parte de arriba y la parte de abajo.

Col y lechuga

Corte la parte de arriba y la de abajo, y luego

corela verticalmente por la mitad. Quite el

corazón y corte la col/lechuga en pedazos

que quepan en la boca de llenado, siempre

verticalmente. El disco rebanador de 2 mm

y el disco rebanador de 1 mm (opcional) son

perfectos para rebanar col para hacer ensalada. Si los pedazos no caben en la boca de llenado:

Intente introducirlos por la parte de abajo, la

cual es ligeramente más ancha. No fuerce los

alimentos en la boca de llenado.

Posicione los alimentos según el resultado

deseado:

horizontalmente para obtener rodajas largas;

verticalmente para obtener rodajas cortas.

Apretuje los alimentos en la boca de llenado, pero no la sobrecargue.

Siempre use los empujadores para empujar los alimentos. **Nunca introduzca los dedos ni algún**

utensilio en la boca de llenado.

Nunca empuje el empujador con mucha fuerza.

Emplee presión *leve* para empujar el queso y los alimentos suaves (panasas, champiñones, fresas, tomates). Emplee presión *moderada* para empujar los alimentos firmes (manzanas, apio, críticos, papas y calabacines). Emplee presión *fuerte* para empujar los alimentos muy duros (zanahorias, batatas).

CÓMO REBANAR/TRITURAR/RALLAR

1. Instale el disco deseado, cierre la tapa regular e introduzca los alimentos en la boca de

llenado.

2. Prepare el juego de empujadores. Bloquee el

empujador pequeño y deslice el seguro en el

costado de la funda para que el empujador

grande pueda moverse libremente.

3. Introduzca el empujador grande en la boca de

llenado y presione la funda para asegurarlo.

Haga presión sobre el empujador al mismo

tiempo que presiona el botón OFF/PULSE.

Suete el botón ni bien los alimentos estén

rebanados/rallados.

4. Vuelva a llenar la boca de llenado, sin abrir

la tapa. Simplemente agarre el juego de

empujadores, posicione ancho sus dedos sobre la

patata de bloquee ancha en la parte trasera de

la funda. Presione firmemente la pata y aice el

empujador. Saldrá fácilmente, dejando la tapa

y la boca de llenado en su lugar. Coloque los

alimentos en la boca de llenado.

CÓMO RETIRAR LOS ALIMENTOS REBANADOS/TRITURADOS/ RALLADOS DEL BOL

Espre hasta que el disco esté completamente inmóvil.

Cuando lo esté, retire la tapa. Sostenga el juego

de empujadores, manteniendo los dedos *lejos*

de las patas verticales, y gire en sentido horario.

El juego de empujadores y la tapa se sacarán

juntos.

Retire el disco rebanador/rallador del bol antes

de retirar este de la base. Introduzca dos dedos

debajo de cada lado del disco y áicelo. Gire el

bol en sentido horario y áicelo para retirarlo de la

base.

Coloque el disco sobre la tapa (puesta al revés)

para evitar los goteos.

2 cucharadas (15 g) de harina por la boca de llenado, sin apagar la máquina.

La masa no deja el bol limpio

- Puede que la cantidad de masa exceda la capacidad máxima. Divida la masa en dos porciones y amase cada porción por separado. Véase las capacidades en la página 18.
- Puede que la masa esté demastado seca. Si la masa se desmigaja, añada agua 1 cucharada a la vez, sin apagar la máquina, y siga procesando hasta que la masa deje de pegarse al bol. Espere 10 segundos entre cada adición.
- Puede que la masa esté demastado húmeda. Sin apagar la máquina, añada 1 cucharada de harina. Si es necesario, añada más harina, 1 cucharada a la vez, hasta que la masa deje de pegarse al bol y forme una bola.

La masa se enreda en la cuchilla y no está homogénea

Apague la máquina y retire cuidadosamente la masa. Divida esta en 3 porciones y disponga las porciones uniformemente en el fondo del bol. Asegúrese de que la cuchilla esté debidamente instalada antes de regresar la masa al bol. Siga procesando hasta que la masa esté suave y flexible.

La masa parece dura

Divida la masa en 2 o 3 porciones y disponga estas uniformemente en el fondo del bol. Amase por 10 segundos, hasta obtener una masa suave y homogénea.

La masa está demastado suave o se fuga

Siempre encienda la máquina antes de añadir líquido y espere hasta que los ingredientes secos absorban el líquido antes de añadir más.

El motor se apaga

- Si usa la tapa regular, puede que el juego de empujadores no esté debidamente instalado. Presione la funda para bloquear los empujadores y siga procesando.
- Puede que la tapa haya quedado abierta. Cierre la tapa y siga procesando.
- Puede que el cable se haya desconectado de la toma de corriente.
- Puede que la máquina se haya cansado y que el motor haya sobrecalentado. Permita que el motor se enfríe por 5–10 minutos. Un cortocircuito de seguridad apaga automáticamente el motor en caso de sobrecalentamiento. Si el motor se apaga de repente, apague la máquina. Después de 5–10 minutos, divida la masa en 2 porciones y siga procesando cada porción por separado. Pellizque la masa para asegurarse de que no esté demastado dura para amasarse a mano. Si lo es, agregue líquido, 1 cucharadita a la vez, hasta que la masa deje de pegarse al bol.

La masa no leuda

Recomendamos que siempre active/fermente la levadura (véase las instrucciones en la página 10). No utilice levadura seca vendida.

No utilice agua más caliente; esto podría matar las células de levadura. Disuelva la levadura en aproximadamente 1/3 taza (80 ml) de agua tibia; el resto del líquido debe estar frío.

Evite procesar la masa por demastado tiempo; podría sobrecalentarse. La temperatura de la masa debería alcanzar 80 °F (26 °C), pero nunca exceder 100 °F (37 °C).

Deje leudar la masa en un lugar templado de aproximadamente 80 °F (26 °C).

El pan está demastado pesado/denso

La próxima vez, averigüe la textura de la masa antes de ponerla a leudar. La masa debe estar suave, flexible y ligeramente pegajosa. Deje leudar la masa al doble de su volumen, en un recipiente o una bolsa, y permita que se leude otra vez después de dar forma al pan.

La masa parece dura

Divida la masa en 2 o 3 porciones y disponga estas uniformemente en el fondo del bol. Amase por 10 segundos y disponga la masa en una base de harina blanca.

RESOLUCIÓN DE PROBLEMAS AL AMASAR MASA DULCE

El motor pierde velocidad

- Puede que la cantidad de masa exceda la capacidad máxima. Divida la masa en dos porciones y amase cada porción por separado.
- No procese la masa por mucho tiempo después de haber incorporado los ingredientes. Las masas ricas producirán buenos resultados después de tan solo 30 segundos.

Un cortocircuito de seguridad apaga

masa en el momento en que pasa bajo la boca de llenado. Procure no verter el líquido directamente en el fondo del bol.

Siga la receta al pie de la letra. Es importante que añada suficiente líquido, para que la masa pueda amasarse debidamente. Amasar masa muy densa puede cansar la máquina. Todos los líquidos usados en la receta, **excepto** el líquido usado para activar/fermentar la levadura, deben estar fríos, para evitar que la masa se sobrecaliente. No permita que la masa alcance más de 100 °F (37 °C); esto impediría que se leude.

Para amasar masa de levadura:
Procure no procesar masa que esté demasiado dura para amasarse a mano; esto podría cansar el motor.

Para amasar masa de pan típica:
Después de que la masa llegue a formar una bola, procese por 60 segundos adicionales. Apague la máquina y averigüe la consistencia de la masa. La masa fermentada salada estará suave y ligeramente pegajosa. Estire la masa entre sus manos para averiguar la consistencia. Si se siente dura, gruesa o irregular, siga procesando hasta que esté suave y flexible. Asegúrese de que la cuchilla esté debidamente instalada antes de regresar la masa al bol.

Para amasar masa dulce típica:

Procese la masa durante por lo menos 30 segundos después de haber incorporado todos los ingredientes. La masa seguirá pegando a las paredes del bol. Si es necesario, raspe el bol y procese por 5 segundos adicionales.

Agregue los demás ingredientes.

Nota: puede añadir el queso, las nueces y las pasas con los ingredientes secos o durante el amasado final. Para dejarlos casi enteros, agréguelos por la boca de llenado durante los últimos 5 segundos. Para conseguir una textura más fina, agréguelos con los ingredientes secos.

Cómo dejar leudar la masa:

Ponga la masa en una bolsa hermética ligeramente enharinada. Expulse el aire y cierre la bolsa, dejando suficiente espacio para que la masa pueda leudar. O: ponga la masa en un recipiente grande engrasado con mantequilla o aceite vegetal. Voltee la masa para cubrirla con mantequilla/aceite. Cubra el recipiente con una toalla humedecida o papel film/plástico acetado.

Deje leudar en un lugar templado

Cómo dar forma y hornear el pan:
Si usa un molde de barra para cocer el pan, engrase el molde con aceite vegetal y llénelo solamente hasta la mitad. Deje leudar la masa en el molde hasta que pase ligeramente la cumbre. Si desea dar forma al pan, coloque la masa sobre una placa acetada y permita que se leude al doble de su volumen.

Preparación consecutiva:
Si desea, puede preparar varias tandas consecutivas de pan. El motor de su procesadora de alimentos es extremadamente eficaz. Para preparar pan blanco, véase la receta en la página 29.

RESOLUCIÓN DE PROBLEMAS AL AMASAR MASA DE LEVADURA

La cuchilla no combina los ingredientes

Siempre ponga la procesadora en marcha antes de agregar líquido. Eche el líquido lentamente, para permitir que los ingredientes secos lo absorban. Si el líquido chapotea o salpica, deje de añadirlo, pero no apague el aparato. Espere hasta que los ingredientes se mezclen, y luego siga añadiendo lentamente el líquido. Eche el líquido por la boca de llenado, en el momento preciso en que la masa pasa bajo esta; procure no verter el líquido directamente en el fondo del bol.

A menos que la receta requiera mantequilla/margarina derretida, corte la mantequilla en pedacitos antes de agregarla

al bol

La cuchilla no permanece en el fondo del bol

Presione la cuchilla para asegurarse de que esté en el fondo del bol. Puede que el bol esté sobrecargado. Divida la masa en 2 porciones y amase cada porción por separado. Masa excesivamente pegajosa puede alzar la cuchilla. Si la masa parece muy pegajosa, vuelva a instalar la cuchilla y agregue inmediatamente

Cómo procesar harinas preparadas para pastales:

Su procesadora de alimentos es lo suficientemente grande como para procesar un paquete de 18.5 onzas (525 g) de harina preparada.

Instale la cuchilla de metal y coloque la harina

preparada en el bol. Encienda la máquina,

agregue los huevos y el líquido por el empujador

pequeño y procese por 5 segundos. Raspe el bol

de nuevo por 1 minuto adicional. Retire el bol de

la base *antes* de retirar la cuchilla. Introduzca el

dedo en la abertura debajo del bol para mantener

la cuchilla en su puesto al vaciar el bol.

Consejo:

después de vaciar el bol, regrese sobre el

bloque-motor. Instale la cuchilla de metal y pulse

una vez más; esto despejará los alimentos de la

cuchilla. Retire la cuchilla y raspe el bol con una

espátula.

TÉCNICAS PARA AMASAR MASA DE LEVADURA

Su procesadora de alimentos Pro Custom 11™ ha sido diseñada para mezclar y amasar en una fracción del tiempo. Obtendrá resultados perfectos si sigue estas instrucciones: NUNCA PROCESAR MASA QUE ESTÉ DEMASIADO DURA PARA AMASARSE A MANO.

Hay dos tipos de masa con levadura.

1. La masa de pan típica está hecha con una

mezcla de harina que contiene por lo menos

un 50 % de harina blanca. Es suave, flexible y

ligeramente pegajosa. No pega a las paredes del

bol.

2. La masa dulce típica

contiene más

azúcar, mantequilla y/o huevos que

la masa de pan típica. Es rica y pegajosa. Y

puede que no deje el bol limpio. Requiere

amasarse durante menos tiempo. (por lo general,

30 segundos son suficientes, pero obtendrá

mejores resultados si la amasa durante 45

segundos, siempre que la máquina no ralentice).

El método para amasar es el mismo para ambos

tipos de masa.

Si la receta incluye más de la cantidad recomendada, procese los ingredientes en varias veces. Cerciórese de presionar la cuchilla sobre el árbol del motor, lo más bajo que encaje. Es preferible pesar la harina. Si no tiene balanza, o si una receta no especifica el peso, utilice un vaso medidor para ingredientes secos (no para líquidos). **Revelva** la harina con una cuchara o un tenedor antes de medirla. **Llene** el vaso medidor completamente. **Enrase** la harina con el filo de un cuchillo o una espátula, cerciorándose de no presionar.

Cómo activar/fermentar la levadura:

Averigüe la fecha de vencimiento de la levadura;

si pasó la fecha, no la use. Disuélvala la levadura

en 1/3 taza (80 ml) de líquido tibia. La temperatura

del líquido usado para disolver la levadura debe

estar entre 105° F (40° C) y 115° F (46° C). Si!

la temperatura es más baja, la levadura no se

activará. Si la temperatura es demasiado alta

(más de 130° F/54° C), la células de levadura

morirán. Si la receta incluye un edulcorante, como

azúcar o miel, agregue una cucharadita con la

levadura. Si la receta no incluye edulcorante,

agregue una pizca de azúcar; esto ayudará

a activar la levadura. Deje la mezcla reposar

durante hasta 10 minutos, hasta que se vuelva

espumosa.

Cómo procesar ingredientes secos:

Poner la harina y los otros ingredientes secos en el

mantequilla, agregue estos con la harina. Procese

continuamente por 20 segundos.

Cómo añadir líquidos:

Los líquidos deben añadirse por el empujador

pequeño, mientras la máquina está encendida.

Eche el líquido lentamente, para permitir que

los ingredientes secos lo absorban. Si el

líquido chapotea o salpica, deje de añadir, pero

no apague el aparato. Espere hasta que los

ingredientes se mezclen, y luego siga añadiendo

lentamente el líquido. Eche el líquido sobre la

Capacidad:

Masa de pan típica:

4 tazas (500 g) de harina común

3 tazas (360 g) de harina de trigo integral

Masa dulce típica:

3 tazas (375 g) de harina común

Jugo de limón, 1 cucharadita de mostaza seca y ½ cucharadita de sal kosher. Encienda la máquina y vierta ½ taza (120 ml) de aceite vegetal en el empujador pequeño, dejando que gotee lentamente. Cuando todo el aceite haya bajado, agregue ½ taza (120 ml) más de aceite, de la misma manera. Procese hasta obtener una emulsión espesa. Para variar, experimente con diferentes sabores de vinagres, hierbas frescas picadas e incluso ajo asado. Para preparar mayonesa "light", agregue un poco de yogur sin grasa escurrido.

Cómo montar claras:

Cerciórese de que el bol y la cuchilla estén

totalmente limpios.

Coloque 3 o más claras de huevo en el bol y presione el botón ON. Agregue 1 cucharadita de jugo de limón o de vinagre por clara; esto permite obtener claras montadas más firmes (el sabor es procesando por 1½-2½ minutos, hasta que las claras batidas estén firmes.

Incorpore las claras montadas a sus mezclas

antes de hornearlas. No le aconsejamos que sirva/coma claras no cocidas.

Cómo batir crema:

La crema batida/nata montada hecha con procesadora mantiene su forma. Es perfecta para decorar pasteles o servir con frutas del bosque o postres.

Refrigere la crema antes de empezar. Usando

la cuchilla de metal, procese continuamente la crema hasta que empiece a espesarse. Luego,

agregue la cantidad deseada de azúcar y siga procesando hasta obtener la consistencia

deseada.

Nota: la crema batida hecha con procesadora no tendrá la consistencia ligera y esponjosa de la crema batida tradicional. Para conseguir crema batida más ligera y esponjosa, utilice el accesorio batidor (opcional).

Cómo rallar pan y moler galletas:

Corte le pan o las galletas (saladas o dulces) en pedazos de 1 pulgada (2,5 cm) y colóquelos en el bol. Procese continuamente hasta obtener la consistencia deseada. Añada perejil picado u otras hierbas picadas si desea. Si desea añadir mantequilla, primero procese el pan o las galletas, y luego agregue la mantequilla por el empujador pequeño, sin apagar la máquina.

tiempo como los ingredientes secos.

Ingredientes secos. Si procesa demasiado la masa, el pastel/bizcocho será duro. Nota: si la receta requiere ingredientes picados grueso (por ej. pasas o nueces), agregue estos al mismo

Resultado después de cada pulsación. Deje de pulsar después de haber incorporado los

ingredientes secos. **Pulse, averiguando el** hasta obtener una mezcla suave. Agregue los especias, cacao, etc.; y el líquido; procese homogénea. Agregue los condimentos (vainilla, Procese por 1 minuto, hasta obtener una mezcla (2,5 cm) de mantequilla a temperatura ambiente. Luego, añada pedazos de 1 pulgada proce continuamente por aproximadamente 1 minuto. Coloque los nuevos y el azúcar en el bol y

ingredientes secos del bol.

Coloque los ingredientes secos (harina, sal, polvo de hornear/bicarbonato) en el bol y procese por 5 segundos, usando la cuchilla de metal. Retire los

véase la página 8).

Y seco, y resérvelos hasta el momento de usar ingredientes primero, mientras el bol está limpio picados (por ej. nueces), prepare estos

Si la receta requiere ralladura o ingredientes

la masa después de añadir la harina.

Para preparar panes/bizcochos sin levadura o pasteles/tortas con polvo de hornear y/o bicarbonato de sodio:

refrigérela hasta el momento de usar. Envuelva la masa en papel film/plástico y aproximadamente 1 pulgada (2,5 cm) de espesor. la masa inmediatamente o forme un disco de producir una masa suave y hojaldrada. Utilice de pulsar ni bien la masa forme una bola; esto por la boca de llenado mientras pulsa. Deje de la harina de maíz. Agregue agua helada obtener una mezcla que tenga la consistencia mantequilla muy fría en el bol. Procese hasta 27. Coloque harina común, sal y pedazos de para proporciones exactas, véase la página Lo siguiente describe el método general;

Cómo preparar masa de hojaldré:

que la mezcla esté bien mezclada. según se describe en la receta. Procese hasta mantequilla (en pedazos de 1 pulgada/2,5 cm), anteriormente. Agregue azúcar, especias y molidas, procese las galletas según se describe Para preparar fondo de tarta de galletas

harina o ½ taza (100 g) de azúcar antes de procesar; esto permitirá obtener resultados muy finos, sin hacer mantequilla de nueces.

También puede picar las nueces con un disco triturador. El disco triturador/rallador fino (opcional) es particularmente eficaz para este trabajo.

Cómo hacer mantequilla de mani u otras

nueces:

No exceda la capacidad máxima del bol (véase la página 18). Procese continuamente. Después de 2-3 minutos, las nueces empezarán a formar una bola que se suavizará poco a poco. Raspé el bol con una espátula y siga procesando hasta que gotas de aceite sean visibles. Pruébe para

averiguar la consistencia. Cuanto más tiempo procesa las nueces, más suave la mantequilla. Para conseguir mantequilla con pedazos, agregue un puñado de nueces al bol cuando la bola de mantequilla empieza a suavizarse. Para hacer mantequilla de anacardo, agregue un poco de aceite vegetal sin sabor. Las mantequillas de nueces caseras no contienen conservantes. Por lo tanto, deberá conservarlas en el refrigerador.

Cómo hacer mantequillas aromatizadas, cremas para untar y salsas para mojar:

Utilice ingredientes a temperatura ambiente; agréguelos una cucharada a la vez. Para hacer mantequilla aromatizada, corte la mantequilla en pedacitos y permita que llegue a temperatura ambiente. Procese los ingredientes saborizantes (anchos, quesos, hierbas, etc.) primero, picándolos finamente. Cerciórese de que el bol esté limpio y seco. Si la receta incluye ingredientes duros como ajo o queso duro, encienda el aparato y eche los ingredientes en la boca de llenado. Luego, agregue la mantequilla y procese continuamente hasta obtener una mezcla suave. Agregue los ingredientes líquidos de último, sin apagar el aparato, y procese justo hasta incorporarlos. Para hacer cremas para untar o salsas para mojar, procese los ingredientes de la misma manera.

Cómo rallar cáscara de cítricos o picar frutas pegajosas como dátiles y pasas:

Pelar la cáscara del limón con un pelador de

Corte las peladuras en pedazos de 2 pulgadas vegetales. Quite la piel blanca, la cual es amarga. Pelar la cáscara de naranja o mandarinas picada. Nota: esto puede tomar 2 minutos o más. (5 cm) o menos y procese con ½ taza (100 g) de azúcar granulada, hasta que esté finamente

Para picar frutas pegajosas como dátiles, pasas, cítruelas pasas y frutas confitadas, primero congele las frutas por aproximadamente 10 minutos. Coloque las frutas en el bol y agregue un poco de la harina de la receta. No use más de ½ taza (60 g) de harina por cada taza (200 g) de frutas.

TAPA COMPACTA

La tapa compacta es muy práctica para picar, mezclar, hacer puré o amasar, especialmente cuando preparar recetas tales como pasteles, galletas, tartas y panes.

Para instalar la tapa compacta:

Cerciórese de que el bol y la cuchilla picadora estén debidamente instalados. Coloque la tapa compacta sobre el bol de manera que **el logotipo Cuisinart de la tapa** apunte hacia arriba y sea legible. Luego, gire la tapa **EN SENTIDO ANTOHORARIO** para sujetarla.

Asegúrese de que el tapón esté en su sitio antes de usar la tapa.

Para retirar la tapa compacta:

Coloque una mano cerca del logotipo Cuisinart y otra en el lado opuesto de la tapa; gire la tapa **EN SENTIDO HORARIO**. Añe la tapa para retirarla del bol. Importante: no utilice la tapa compacta con los discos; úsela solamente con la cuchilla de metal.

USOS DE LA CUCHILLA DE METAL

Cómo hacer mayonesa:

Su procesadora de alimentos Pro Custom 11™ le permitirá preparar mayonesa infalible. Cerciórese de que el bol y la cuchilla estén limpios y secos. Precaución: los huevos crudos pueden contener salmonela y otras bacterias peligrosas para la salud. Por lo tanto, le aconsejamos que cuenza los huevos antes de usarlos para preparar mayonesa, salsa holandesa, aderezo César, soufflés y biscochos que no requieren hornearse, mousses y otras recetas que incluyen yemas de huevo crudo. Para preparar mayonesa, le recomendamos usar la receta en la página 26 o el

método siguiente que emplea sustituto de huevo pasteurizado.

Por "cada huevo" de receta tradicional, coloque en el bol ¼ taza (60 ml) de sustituto de huevo pasteurizado, 2 cucharadas de vinagre o de

uniformes. No exceda la capacidad máxima del bol (véase la página 18). Cierre la tapa. Presione el botón OFF/PULSE repetidamente para picar grueso. Después, mantenga el botón OFF/PULSE oprimido para procesar continuamente los alimentos hasta obtener la consistencia deseada. Avergüe la consistencia a menudo. Raspe el bol con una espátula si es necesario para despegar los alimentos de las paredes.

Cómo hacer puré de frutas/vegetales cocidos: Primero, corte los alimentos en pedazos de 1 pulgada (2,5 cm); esto producirá resultados más uniformes. No exceda la capacidad máxima del bol (véase la página 18). Cierre la tapa. Continúe presionando el botón ON, hasta obtener la consistencia deseada. **NOTA:** no haga puré de papas usando este método; la cuchilla de metal produce una textura pegajosa. (véase la receta del puré de papas en el libro de recetas al final de este manual).

► Para hacer sopas/cremas, cueza los vegetales en agua/caldo. **Coloque solamente los vegetales en el bol,** separando el caldo con una espumadera. Conseguirá resultados más suaves, más rápidamente, sin no añada líquido. Después de procesar, agregue la cantidad necesaria de líquido de cocción para poder vaciar el bol.

► De vez en cuando, pedazos de alimentos pueden quedar trabados entre la cuchilla y el bol. Si esto ocurriera, apague y desconecte el aparato, abra la tapa, retire la cuchilla y retire los pedazos trabados. Vacíe el bol, vuelva a instalar la cuchilla, regrese los alimentos en el bol y cierre la tapa, quitando primero el empujador pequeño. Presione el botón ON y eche los pedazos de alimentos en la boca de llenado pequeña. Después de haber agregado una taza (200 g) de alimentos de esta manera, coloque los ingredientes restantes en el bol y siga procesando como de costumbre.

Para picar alimentos duros como el ajo o quesos duros: Los alimentos pequeños como el ajo pueden introducirse enteros. Corte los alimentos grandes como el queso en pedazos de 1 pulgada (2,5 cm). Retire el empujador pequeño, encienda el aparato y eche los alimentos por la abertura en el centro del empujador grande.

Este método es ideal para picar ajo, cholate y cebolla. Con el queso duro y el coco, obtendrá una textura rallada. **IMPORTANTE:** si el queso es demasiado duro como para cortarse con cuchillo, no intente picarlo; esto podría dañar la cuchilla o el aparato. **Cómo picar hierbas frescas:** Las hierbas, el bol y la cuchilla deben estar **limpios y totalmente secos.** Quite los tallos de las hierbas. Coloque las hojas en el bol y procese hasta obtener la consistencia deseada. Cuantas más hierbas pone en el bol, más fino el resultado. Si están completamente secas cuando las picas, las hierbas podrán conservarse en el refrigerador durante 10 días o más, en una bolsa hermética. También pueden congelarse durante hasta meses, en una bolsa o un recipiente hermético.

Cómo picar carne, aves, pescado y mariscos: Utilice alimentos helados, pero no congelados. Corte la carne en pedazos de 1 pulgada (2,5 cm) para obtener resultados más homogéneos. No exceda la capacidad máxima del bol (véase la página 18). Oprima el botón OFF/PULSE por un segundo 3 o 4 veces, esperando un segundo entre cada pulsación. Para obtener una textura más fina, procese continuamente por varios segundos. Avergüe la consistencia a menudo. Raspe el bol con una espátula si es necesario.

Cómo moler carne, aves, pescado y mariscos: Prepare los alimentos según se describió en la sección anterior. PULSE para picar, y luego procese continuamente hasta obtener la consistencia deseada. Raspe el bol con una espátula si es necesario. Deje los alimentos molidos en el bol y agregue los ingredientes especificados en la receta (por ej. huevos, crema, condimentos). Siga procesando para mezclar. Recuerda que la textura final depende de cuánto tiempo procesa los alimentos.

Cómo picar nueces: No exceda la capacidad máxima del bol (véase la página 18). Presione repetidamente el botón OFF/PULSE, averiguando a menudo para asegurarse de que las nueces no se conviertan en mantequilla. Si una receta incluye harina o azúcar, combine 1 taza (200 g) de nueces con ½ taza (60 g) de

PAUTAS GENERALES

La **cuchilla de metal** es capaz de picar frutas/vegetales frescos o cocidos, carne, pescado y queso a la consistencia que usted desea, desde grueso hasta fino – e incluso puede moler. El usuario controla la textura final. Pica nueces, prepara mantecuilas de nueces, mayonesa y salsas, y amasa masa de hojaldre. También mezcla mezclas de pasteles, coberturas/glaseados, galletas, panes sin levadura, “muffins” y bizcochos, y amasa masa con levadura. El **disco rebanador medio** corta hermosas rodajas/rebanadas. Es ideal para rebanar frutas/vegetales enteros, carne cocida, carne cruda semicongelada y pan.

El **disco rebanador fino** es perfecto para rebanar col, cebolla, rábanos, champiñones, apio, papas y pepino.

El **disco triturador medio** es capaz de triturar

la mayoría de los quesos firmes y duros, produciendo un rallado largo y atractivo. También triturar vegetales como papas, zanahorias y calabacines, y muele nueces y chocolate.

El **adaptador removible** trabaja con todos los discos, para un almacenaje compacto.

El **juego de empujadores** tiene 3 partes: Un pequeño empujador removible blanco que encaja en el centro del empujador grande.

La boca de llenado angosta en el centro del empujador grande para procesar alimentos delgados como zanahorias, o añadir líquido o ajo sin interrumpir el procesamiento.

2. Un empujador grande que forma parte integral del juego y no puede sacarse de la funda pero mueve libremente en la misma (excepto cuando la funda está en la posición de bloqueo).

3. Una funda con dos patas verticales; una que sujeta la funda al bol y otra que hace contacto con el mecanismo de arranque en la parte trasera del bol, haciendo que el motor se ponga en marcha.

Procure practicar con algunos alimentos antes de procesar los alimentos que desea comer. Un calabacín o una zanahoria son buenas opciones para practicar. Primero, corte los alimentos en pedazos de 1 pulgada (2,5 cm).

- ▶ Utilice pedazos del mismo tamaño aproximadamente.
- ▶ No procese cantidades de alimentos más altas que las recomendadas (véase la página 18).

resultados consistentes:

Instale la cuchilla de metal y coloque los ingredientes en el bol. Cierre la tapa, presionando el juego de empujadores para asegurarse de que esté debidamente instalado. Oprima y luego suelte el botón OFF/PULSE dos o tres veces. Permita que los alimentos bajen al fondo del bol antes de volver a presionar el botón PULSE; esto los pone en la trayectoria de la cuchilla. Utilizar la función de pulso evita sobreprocesar los alimentos. Averigüe la textura de los alimentos a menudo. Siga optimiendo repetidamente el botón OFF/PULSE hasta obtener la consistencia deseada. Ciertos alimentos, como las cebollas, suelen licuarse muy rápidamente; averigüe su textura después de cada pulsación. Intente picar otros alimentos, como carne para hamburguesas o saichichas. Luego, prepare mayonesa, masa de hojaldre o pan, según se describe en el libro de recetas. Para obtener resultados consistentes:

Espera hasta que el motor se haya detenido completamente antes de abrir la tapa. Abra la tapa primero (puede retirar la tapa y el juego de empujadores al mismo tiempo), sosteniendo el juego de patas verticales, y gire en sentido horario. Alce; la tapa seguirá.

No intente retirar la tapa y el bol al mismo tiempo; esto puede dañar el bol.

Siempre retire el bol de la base antes de retirar la cuchilla; esto creará un sello que evitará los derrames. Gire el bol en sentido horario y álcelo para retirarlo de la base.

Utilice uno de los métodos siguientes para evitar que la cuchilla se caiga al vaciar el bol: Cerciórese que sus manos están secas. (1) Agarre el orificio debajo del bol y mantenga la cuchilla en su puesto al vaciar el bol. (3) sostenga la cuchilla por el eje con su dedo o una espátula mientras vacía el bol.

Como picar frutas/vegetales crudos:

Primero, corte los alimentos en pedazos de 1 pulgada (2,5 cm); esto producirá resultados más

Piezas

La procesadora de alimentos Cuisinart® Pro Custom 11™ es un aparato compacto y versátil que pica (grueso o fino), tritura, ralla, rebana, licúa, hacer puré, emulsiona, mezcla y amasa con eficacia y rapidez. La boca de llenado grande permite rebanar frutas y vegetales grandes como papas, tomates y manzanas.

La máquina incluye:

1. Bloque-motor con controles fáciles de usar

2. Bol

3. Tapa con boca de llenado grande

4. Juego de empujadores

5. Tapa compacta con tapón para picar alimentos para hornear

6. Cuchilla picadora de metal afilada

7. Dos discos rebanadores:

un disco para rebanado medio y otro para rebanado fino

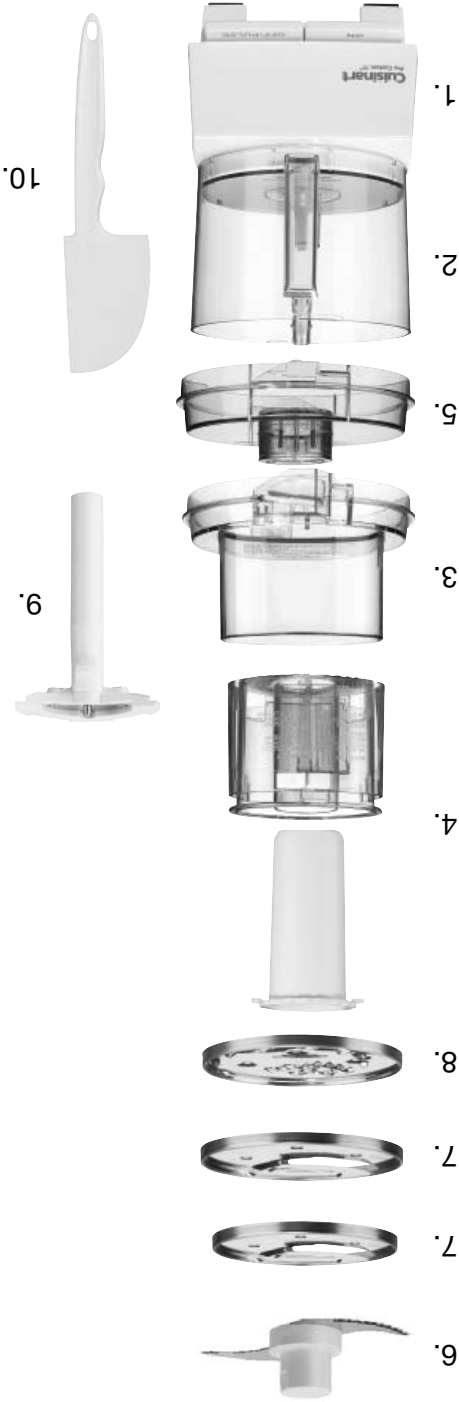
8. Disco triturador

9. Adaptador removible para discos

10. Espátula de plástico

11. Sin BPA (no ilustrado).

Ninguna de las piezas en contacto con los alimentos/líquidos contiene bifenol A (BPA).



Importantes instrucciones de desembalaje.....	2
Medidas de seguridad importantes.....	3
Piezas	5
Pautas generales.....	6
Tapa compacta.....	8
Usos de la cuchilla de metal.....	8
Técnicas para amasar masa de levadura	10
Resolución de problemas al amasar masa de levadura.....	11
Resolución de problemas al amasar masa dulce.....	12
Preparación de los alimentos para rebanar/triturar/rallar	12
Cómo rebanar/triturar/rallar	13
Cómo retirar los alimentos del rebanados/triturados bol.....	13
Técnicas para rebanar/triturar/rallar.....	13
Cómo rebanar carne/pollo	14
Cómo rebanar/triturar/rallar quesos.....	14
Resolución de problemas.....	14
Limpieza, almacenaje y mantenimiento.....	15
Para su seguridad	16
Información técnica	16
Capacidad del bol	18
Recetas	18
Garantía	33

Índice

AVISO

El cable de este aparato está dotado de una clavija polarizada (una pata es más ancha que la otra). Como medida de seguridad, se podrá enchufar de una sola manera en la toma de corriente polarizada.

Si no entrara en la toma de corriente, invírtala. Si aún no entrara completamente, comuníquese con un electricista. No intente ir en contra de esta función de seguridad.

Tapa compacta

- No utilice la tapa compacta para mezclar líquidos calientes como sopas o salsas; el líquido podrá salpicar, causando heridas.
- No utilice la tapa compacta con ningún disco o accesorio especial, incluso los discos rebanadores, los discos trituradores/ralladores, los discos para cortar en Juliana, los discos para papas fritas o los discos ralladores finos; esto presenta un riesgo de heridas.
- No utilice la tapa compacta con otras procesadoras de alimentos, especialmente máquinas de otra marca; esto puede ser peligroso y causar heridas.

GUARDE ESTAS INSTRUCCIONES PARA USO DOMESTICO SOLAMENTE

- asegurado de que el bol esté debidamente instalado. Guarde los accesorios fuera del alcance de los niños.
6. Asegúrese de que la tapa esté debidamente cerrada antes de encender el aparato.
 7. No intente forzar el mecanismo de seguridad de la tapa.
- ## Limpeza
- Para reducir el riesgo de electrocución, no coloque el bloque-motor en agua u otro líquido.
- ## General
1. Supervise el uso de este aparato cuidadosamente cuando sea usado por o cerca de niños o personas con ciertas discapacidades.
 2. No utilice este aparato bajo el efecto del alcohol u otra sustancia que afecte su tiempo de reacción o su percepción.
 3. Este aparato está homologado por UL para uso doméstico. Utilícelo únicamente con el propósito para el cual fue diseñado, según se describe en este manual de instrucciones.
 4. El uso de accesorios no recomendados o vendidos por Cuisinart puede provocar un incendio, un choque eléctrico o una herida, o dañar el aparato.
 5. Nunca guarde el aparato con el juego de empujadores en la posición de bloqueo.
 6. La potencia nominal máxima (5.2 amp) está basada en el accesorio que consume más electricidad; otros accesorios pueden utilizar menos electricidad.
 7. No haga funcionar el aparato debajo o dentro de un armario/gabinete. **Siempre desconecte el aparato antes de guardarlo en un armario/gabinete.** Dejar el aparato conectado presenta un riesgo de incendio, especialmente si este toca las paredes o la puerta del armario/gabinete cuando cierra.

1. No utilice el juego de empujadores si la funda se separa del empujador.
2. Para reducir el riesgo de herida grave o de daño al aparato, mantenga las manos y los utensilios alejados de la cuchilla o del disco durante el funcionamiento. Se podrá usar una espátula de plástico, siempre que el aparato esté apagado.
3. Evite el contacto con las piezas móviles. Nunca introduzca la mano en la boca de llenado; siempre use el empujador.
4. **Esperar hasta que el motor se haya detenido completamente antes de quitar la tapa. Si el motor no se detiene dentro de 4 segundos después de sacar el juego de empujadores, desconecte el aparato y llame al 1-800-726-0190 para asistencia. No utilice el aparato.**
 5. No guarde las cuchillas o los discos en el bol. Para prevenir el riesgo de heridas, nunca instale la cuchilla o el disco antes de haberse

Operación

1. Lea todas las instrucciones.
 2. Las cuchillas son muy filosas; manipúlelas con sumo cuidado.
 3. Desconecte el aparato cuando no está en uso, antes de instalar/sacar piezas y antes de limpiarlo. Para desconectar el cable de la toma de corriente, agárrelo por la clavija; nunca jale el cable.
 4. No lo utilice en exteriores.
 5. No permita que el cable cuelgue del borde de la encimera o de la mesa, ni que haga contacto con superficies calientes.
 6. No utilice este aparato si el cable o la clavija estuviesen dañados, si no funcionase debidamente, si estuviese dañado, o después de que se hubiese caído al piso o al agua; regrese lo a un centro de servicio autorizado para su revisión, reparación o ajuste.
- ## Preparación

Al usar aparatos eléctricos, siempre debe tomar precauciones básicas de seguridad, incluso las siguientes:

MEDIDAS DE SEGURIDAD IMPORTANTES

IMPORTANTES INSTRUCCIONES DE DESEMBALAJE

Esta caja contiene una procesadora de alimentos Cuisinart® y sus accesorios: una cuchilla picadora de metal, una tapa compacta, dos discos rebanadores, un disco triturador, un adaptador removible para discos, una espátula y un manual de instrucciones/libro de recetas.

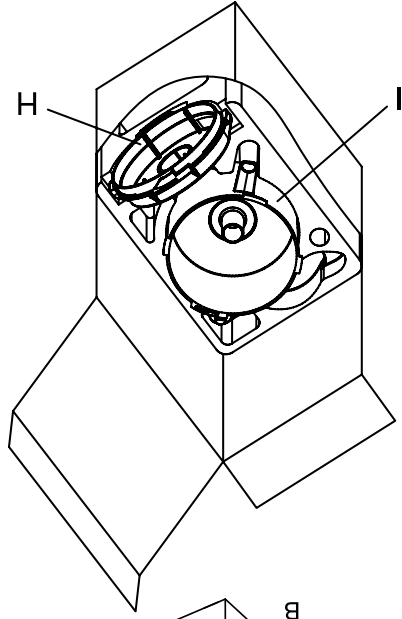
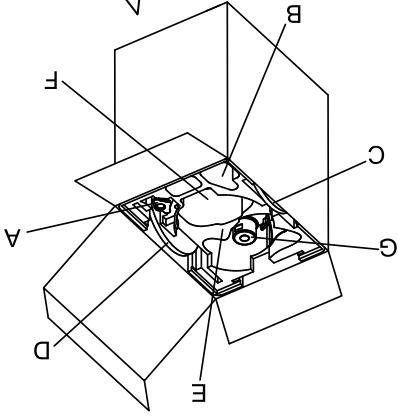
PRECAUCIÓN: LAS HERRAMIENTAS DE CORTE SON MUY AFILADAS.

Para evitar las heridas, siguiendo las instrucciones a continuación:

1. Ponga la caja sobre una superficie llana y amplia, como una mesa o una encimera. Asegúrese de que la caja esté del lado correcto, no de cabeza.
2. Abra la caja y retire el inserto de cartón y el manual de instrucciones.
3. Quite el inserto de cartón redondo y el disco rebanador fino ubicado en la bolsa de plástico dentro del inserto. LAS CUCHILLAS/HOJAS SON FILSOSAS.
4. En la caja, encontrará un bloque rectangular de espuma de poliestireno que contiene las piezas de la procesadora. El adaptador removible (A) y el tapón de la tapa compacta se encuentran en las cavidades en el lado corto del bloque espuma. Sáquelas primero.
- El disco rebanador (B) y el disco triturador (C) se encuentran en las cavidades en los lados largos del bloque de espuma. Sáquelos CON SUMO CUIDADO: LOS FILSOS SON MUY CORTANTES. La tapa del bol (E) y el juego de empujadores (F) se encuentran en el centro del bloque de espuma. Agarre la tapa por el borde y álcela (puede que el empujador se deslice de la tapa al alzar está). Ahora, saque la cuchilla picadora (G). **ALCE LA CUCHILLA CUIDADOSAMENTE, SOSTENIÉNDOLA POR EL EJE DE PLÁSTICO. NUNCA TOQUE LOS FILSOS DE LAS CUCHILLAS; SON MUY AFILADOS.**
5. Retire el bloque de espuma superior.
6. Verá un bloque rectangular de espuma; este contiene la tapa compacta (H) y el bol (I).

la vez.

Alce los bloques de espuma, uno a uno.



7. Retire el bloque de espuma intermedio.
8. El bloque-motor se encuentra en el fondo de la caja. Agrárrelo con ambas manos y álcelo para retirarlo de la caja.
9. Coloque el aparato sobre la encimera o la mesa y lea cuidadosamente las instrucciones antes de usarlo.
10. Le aconsejamos que guarde el material de embalaje; puede que lo necesite para enviar el aparato.

Le aconsejamos que llene el formulario de registro disponible en www.cuisinart.com a fin de facilitar la verificación de la fecha de compra original.



Serie DLC-8S

Procesadora de alimentos Pro Custom 11™

Para su seguridad y para disfrutar plenamente de este producto, siempre lea cuidadosamente las instrucciones antes de usarlo.

Version No: IB-4274-ESP

Size: 210X148MM Number of Page:72PP Saddle Stitched

Material: 105gsm gloss art paper for whole book

Coating: Gloss Varnishing In Cover

Color(Front): Cover:4C(black)+1C(black)

(Back): Inside:1C(black)+ 1C(black)

Date: 29-Jan-2016Co-ordinator:Astor You/Linda Ouyang

Hugo Description

PDF version: IB-4274-ESP(0.0)

Hugo Code: SMT 0401 IB-1-1 Operator: CW

Hugo Diecut: IRP: BBJ

Hot Stamping: Spot UV: Embossing:

Remark: Quality Request(1)

