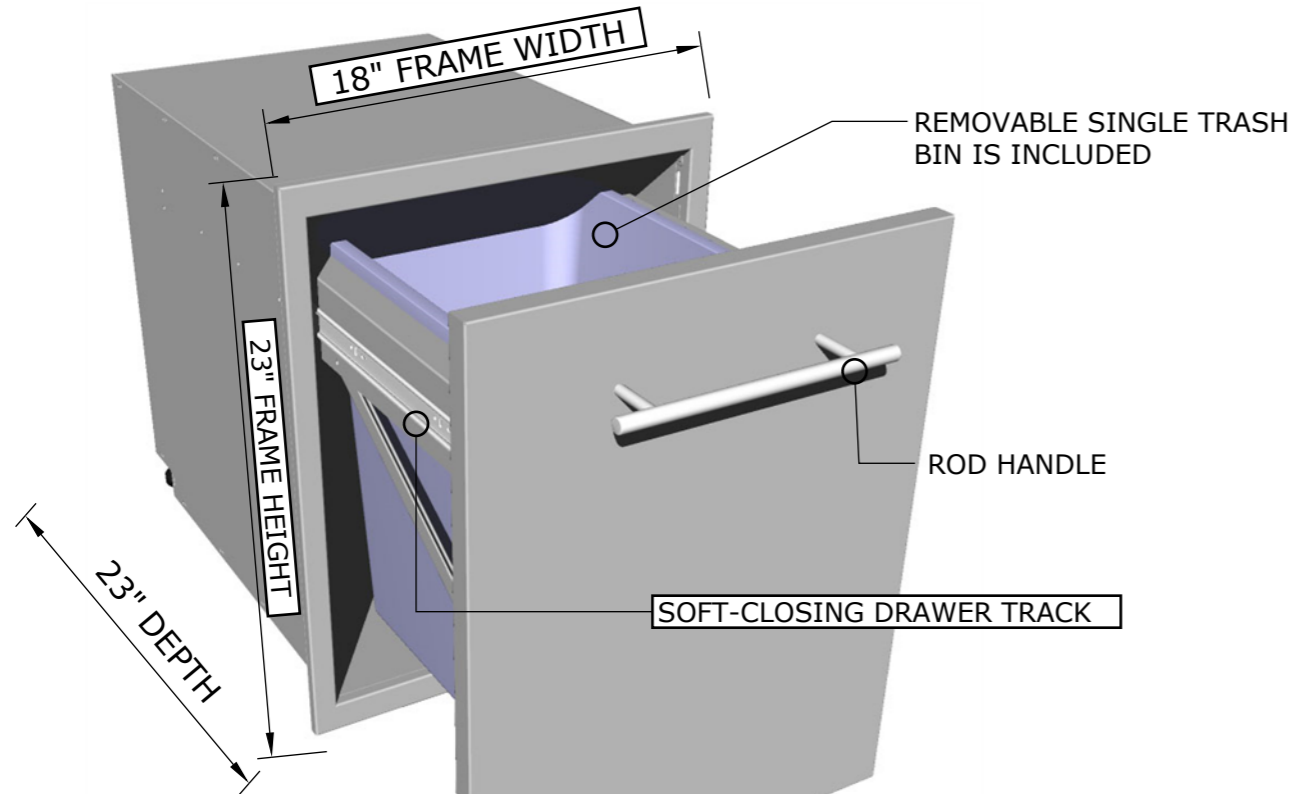
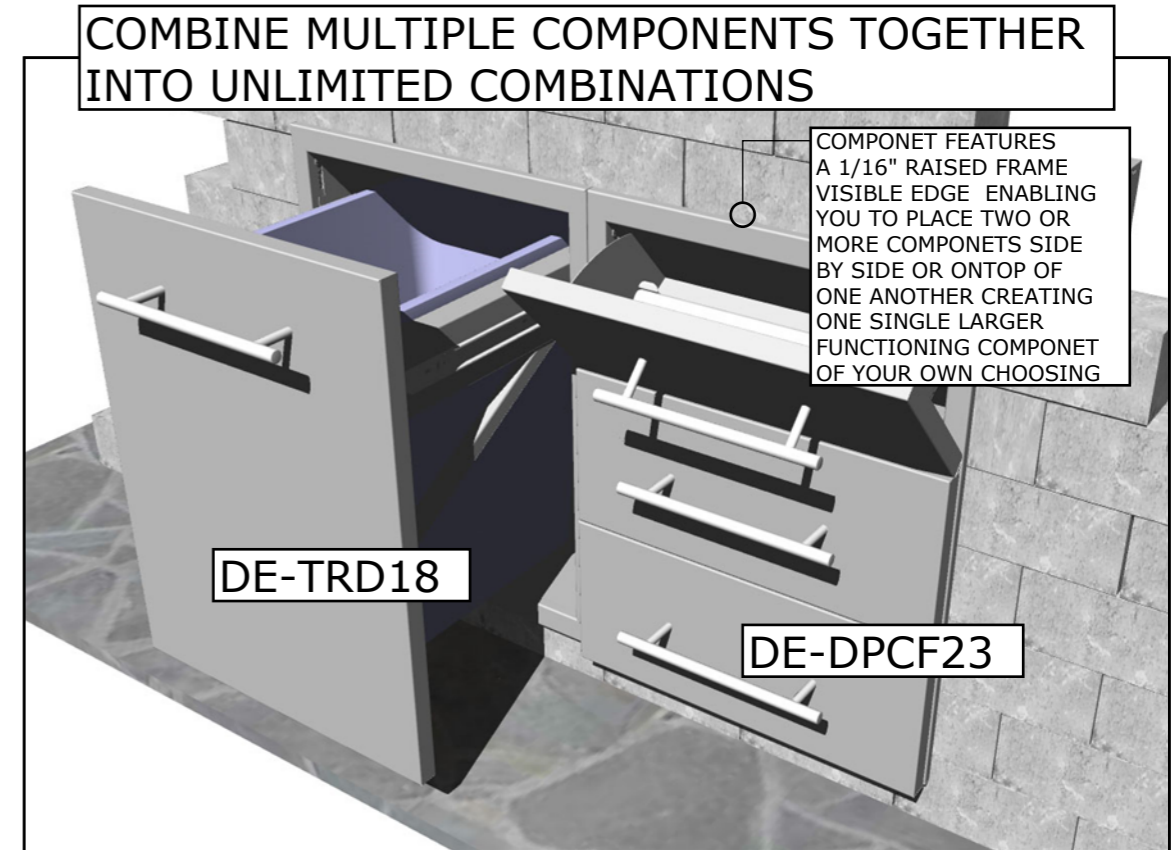
 <p>Designer Series CUSTOM CONFIGURABLE COMPONENTS</p>	<p>PRODUCT 18" Wide Single Bin Trash Drawer Item No. DE-TRD18</p>	<p>DESCRIPTION Designer Series, Raised Style - 18" Single Bin Trash Drawer</p>	<p>PRODUCT DIMENSIONS 18" WIDTH x23" HEIGHT x23" DEPTH (PRODUCT SIZE) 16-1/2" WIDTH x21" HEIGHT x22" DEPTH (CUT-OUT)</p>	<p>SPECIFICATIONS Frame is made from 16 gauge 304 SS, and panel's are made from 18 gauge 304 SS. Trash Bin Bracket is 18 gauge 201 SS. Handle is Solid 304 SS.</p>	<p>WARRANTY</p> <ul style="list-style-type: none"> • EXTERIOR FINISH -----3 YEARS • ROD HANDLES-----3 YEARS • DRAWER TRACK----- 1 YEAR • PEG-LEGS----- 1 YEAR
--	--	---	---	---	--

Product Dimensions



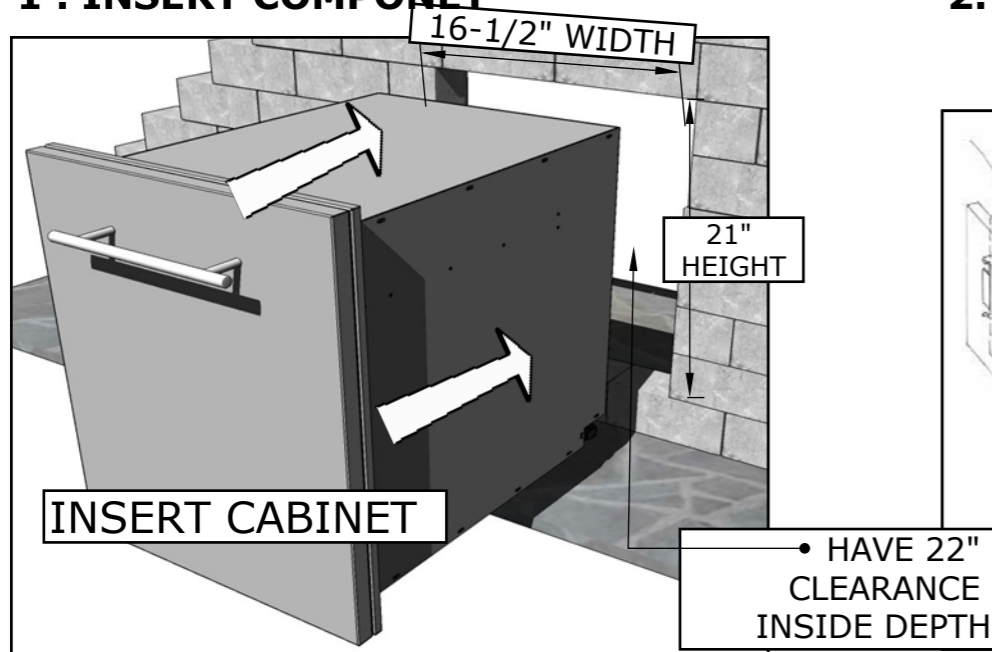
Product Features



Product Installation

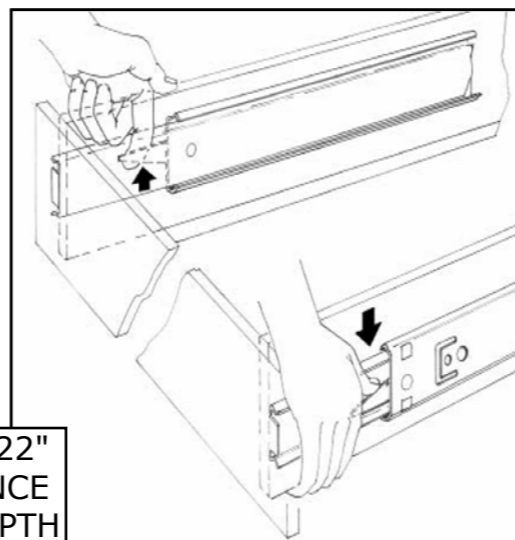
ISLAND WALL CUT-OUT SIZE IS 16-1/2" WIDTH BY 21" HEIGHT BY 22" DEPTH

1 . INSERT COMPONENT



IMPORTANT!! - ROD HANDLES ARE MOUNTED TO INSIDE OF EACH PANEL, YOU MUST UNSCREW EACH ONE AND MOUNT ON OUTSIDE OF DRAWER OR DOOR PANEL.

2. REMOVE DRAWERS



REMOVE DRAWERS IN ORDER TO MOUNT BOX

- Pull the drawer fully open so Levers are visible.
- Push "DOWN" on the right lever, and "UP" on the left lever.
- Holding levers in place, pull drawer toward you.

See SUNSTONE manufacture website for additional product support and product tutorials:
www.sunstonemetalproducts.com

3. MOUNT DRAWER & LOWER LEGS

